

<b>Model</b>	IVORY_DB618		
<b>Creator</b>	PASATHORN	<b>.BCP Name</b>	INDEX_C3D_KITCHEN2
<b>Reviewer</b>		<b>Order</b>	I004867
<b>Approves</b>		<b>Date</b>	18/02/2026

## **IVORY\_DB618-618X570X901**

### **Colour**

05.109 ML.IVORY MD208(PEARL)\_

20.36 ML MD216 (PEARL)\_

-

-

-

### **Edge**

01.475 0.6 MD208 IVORY3995 (11013M1) \_

01.476 0.6 SAND STONE P7-500 M1 \_

-

-

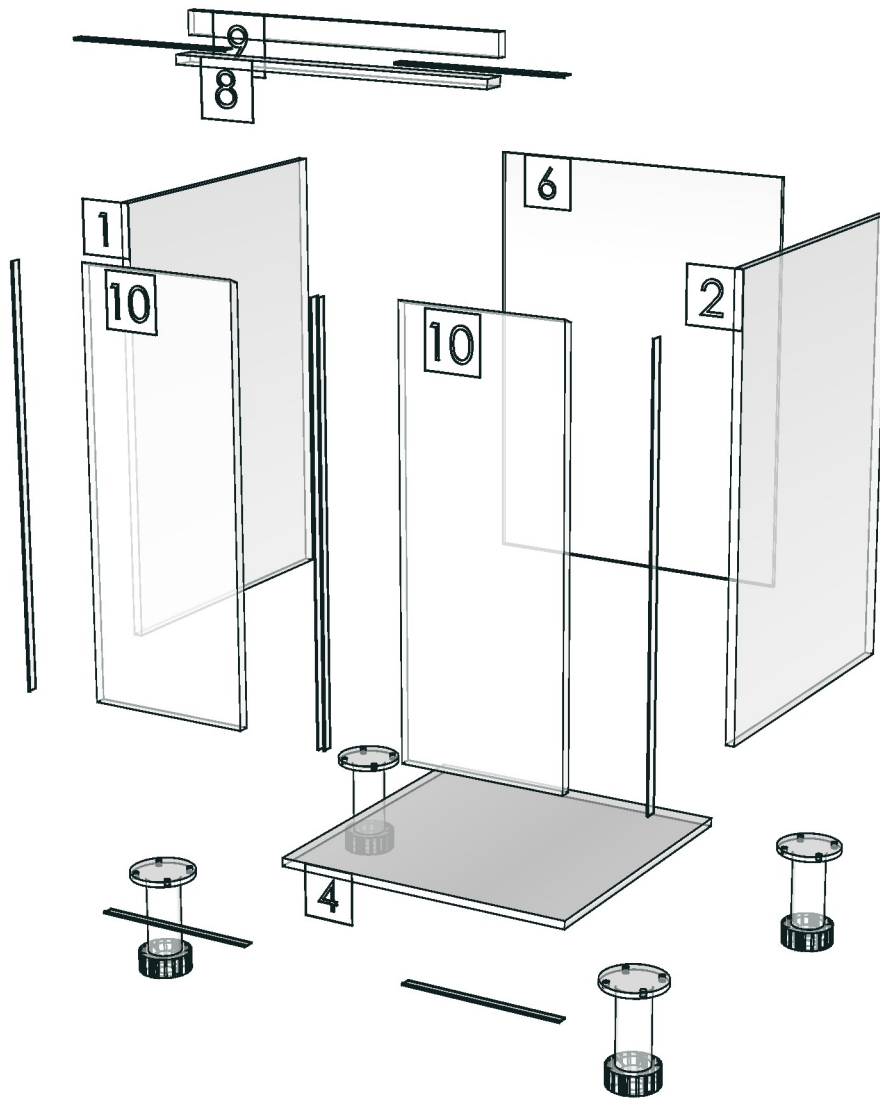
-

K118R-160174224

<b>R&amp;D REVIEW</b>	
<input checked="" type="checkbox"/>	DWG.Customer
<input checked="" type="checkbox"/>	Work Report
<input type="checkbox"/>	Function
<input type="checkbox"/>	สินค้าตรงตัวอย่าง
ผู้ทบทวน _____	
_____	



<b>Model</b>	-IVORY_DB618		
<b>Creator</b>		<b>.BCP Name</b>	INDEX_C3D_KITCHEN2
<b>Reviewer</b>		<b>Order</b>	I004867
<b>Approves</b>		<b>Date</b>	



<b>Model</b>	IVORY_DEPB		
<b>Creator</b>	PASATHORN	<b>.BCP Name</b>	INDEX_C3D_KITCHEN2
<b>Reviewer</b>		<b>Order</b>	I004460
<b>Approves</b>	<i>P.SAWAI</i>	<b>Date</b>	30/09/2025

## IVORY\_DEPB-16X593X901

**Colour**

05.109 ML.IVORY MD208(PEARL)\_

- 
- 
- 
- K100L-160169656
- K100R-160173917
- K101L-160169671
- K101R-160173932
- K102L-160173947
- K103R-160173964
- K104R-160173983
- K105L-160174005
- K106L-160174019
- K107R-160174032

**Edge**

01.475 0.6 MD208 IVORY3995 (11013M1) \_

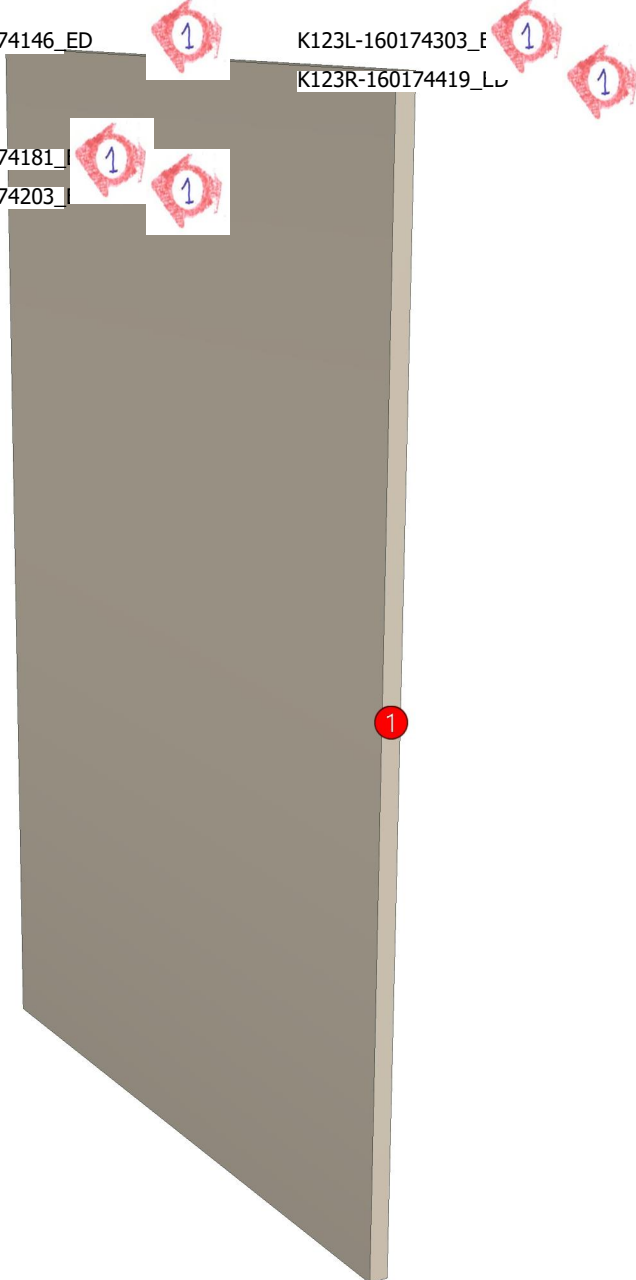
- 
- 
- 
- 
- K108L-160174046
- K109L-160174061
- K110L-160174078
- 
- K118R-160174224\_I
- K119L-160174234\_E
- K113R-160174146\_ED
- K123L-160174303\_E
- K123R-160174419\_L
- K116R-160174181\_I
- K117R-160174203\_I

**R&D REVIEW**

- DWG.Customer
- Work Report
- Function
- สินค้าตรงตัวอย่าง

ผู้ทบทวน P.SAWAI

*25/9/25*



<b>Model</b>	IVORY_DEPB		
<b>Creator</b>	PASATHORN	<b>.BCP Name</b>	INDEX_C3D_KITCHEN2
<b>Reviewer</b>		<b>Order</b>	I004460
<b>Approves</b>	P. SAWAI	<b>Date</b>	30/09/2025

No.	Article No.	Description	Mat	Dimension	Cutting Size	Typepology	Skin
0	IVORY_DEPB IVORY_DEPB-01	IVORY_DEPB DEP	PB-SP	16x901x593 16x593x901	16X591.8X899.8;L2:W2	181000_STR=05.109_EDG=MD208-.6	2

<b>Model</b>	IVORY_DFWH		
<b>Creator</b>	PASATHORN	<b>.BCP Name</b>	INDEX_C3D_KITCHEN2
<b>Reviewer</b>		<b>Order</b>	I004809
<b>Approves</b>		<b>Date</b>	12/02/2026

## **IVORY\_DFWH-150X19X550**

**Colour**

05.109 ML.IVORY MD208(PEARL)\_

-  
-  
-  
-

**Edge**

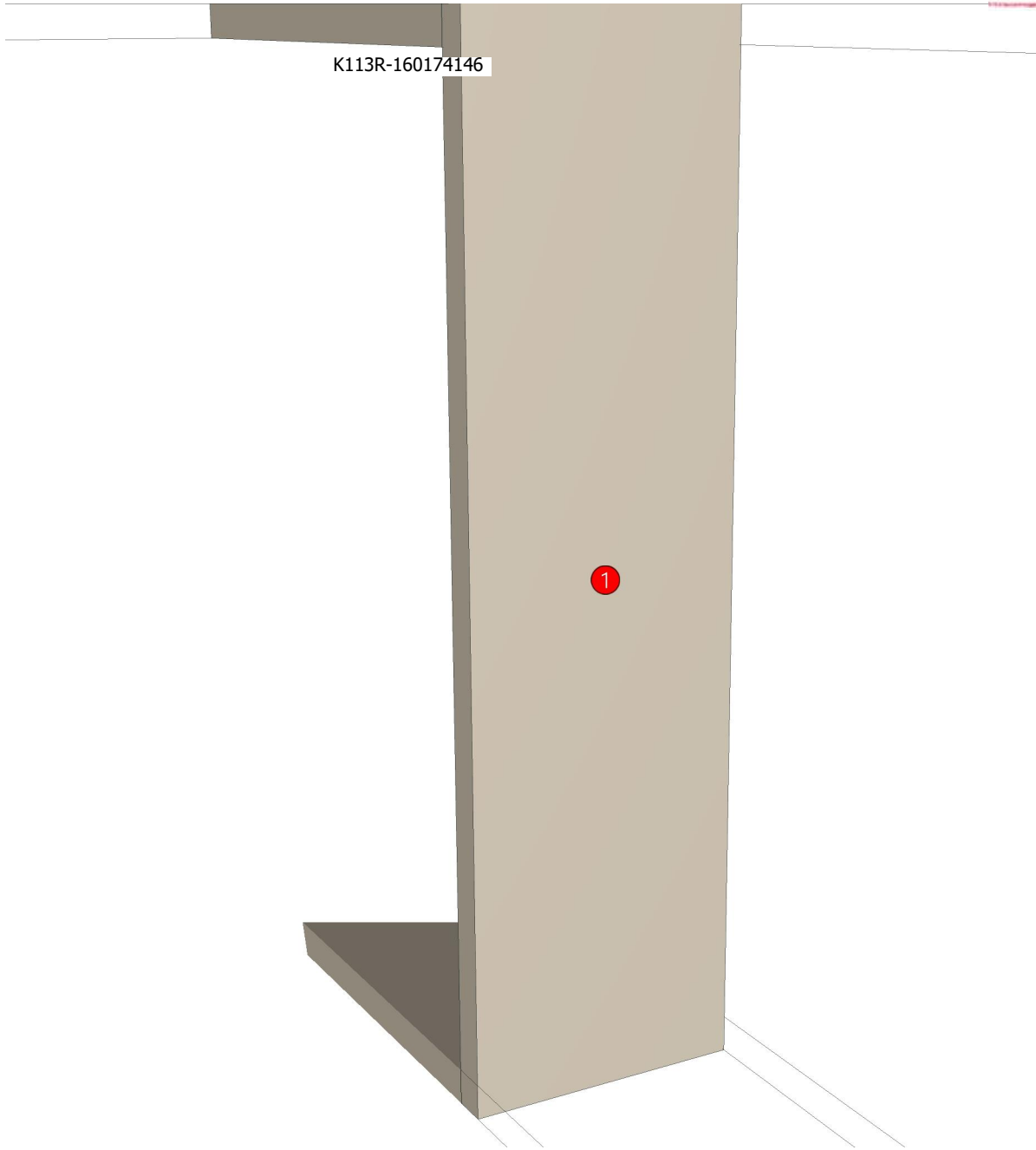
01.475 0.6 MD208 IVORY3995 (11013M1) \_

-  
-  
-  
- K118R-160174224

**R&D REVIEW**

- DWG.Customer
- Work Report
- Function
- สินค้าตรงตัวอย่าง

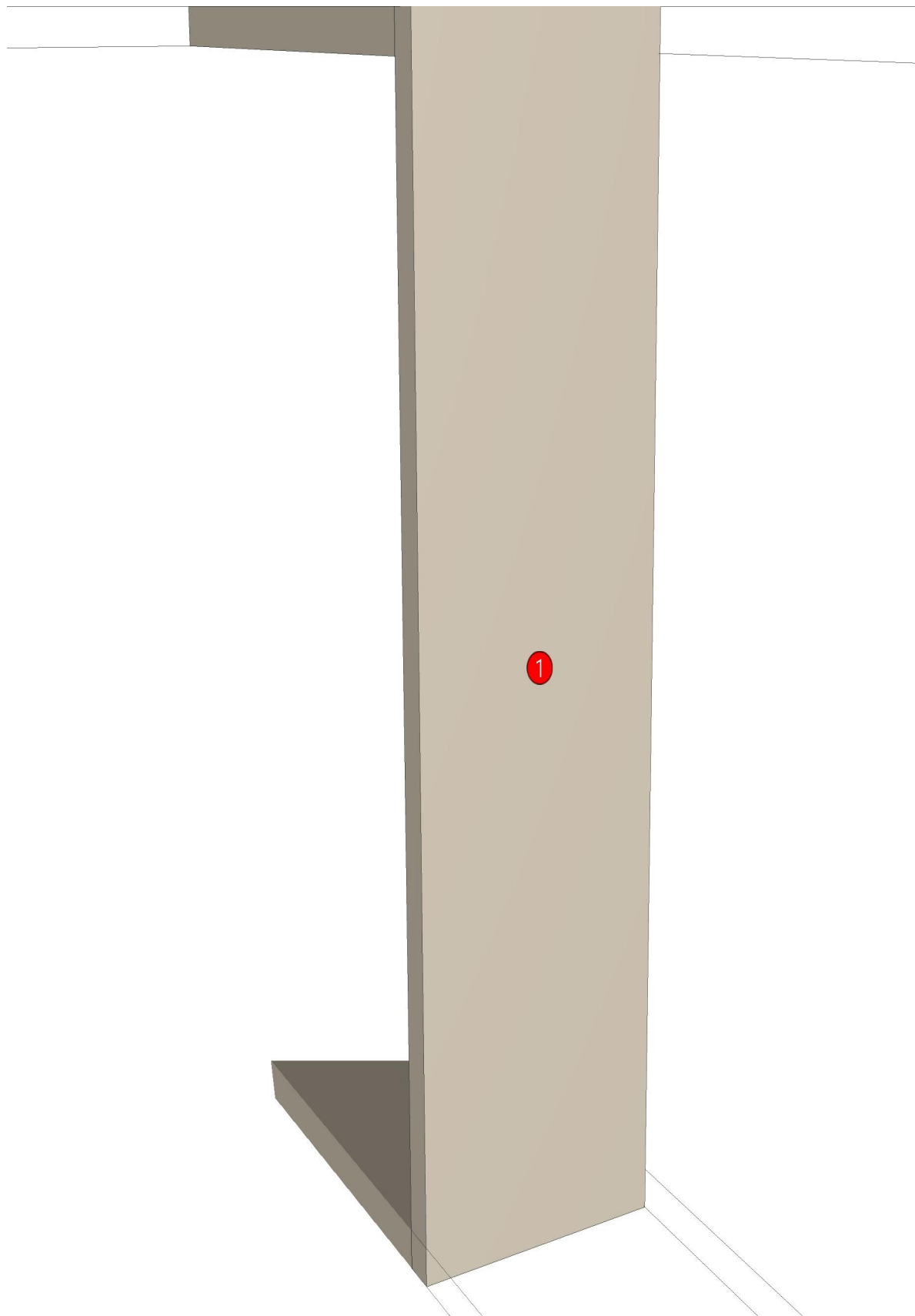
ผู้ทบทวน \_\_\_\_\_



K113R-160174146

1

<b>Model</b>	-IVORY_DFWH		
<b>Creator</b>		<b>.BCP Name</b>	INDEX_C3D_KITCHEN2
<b>Reviewer</b>		<b>Order</b>	I004809
<b>Approves</b>		<b>Date</b>	



<b>Model</b>	IVORY_DF_CL1450		
<b>Creator</b>	PASATHORN	<b>.BCP Name</b>	INDEX_C3D_KITCHEN2
<b>Reviewer</b>		<b>Order</b>	I004804
<b>Approves</b>		<b>Date</b>	12/02/2026

## **IVORY\_DF\_CL1450-1450X16X180**

**Colour**

20.36 ML MD216 (PEARL)\_

-  
-  
-  
-

**Edge**

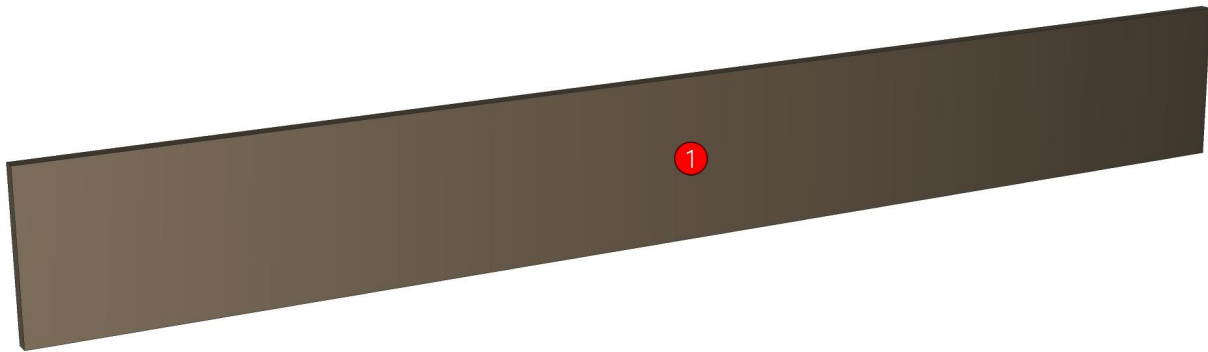
01.476 0.6 SAND STONE P7-500 M1 (73.216) \_

-  
-  
-  
- K118R-160174224

**R&D REVIEW**

- DWG.Customer
- Work Report
- Function
- สินค้าตรงตัวอย่าง

ผู้ทบทวน \_\_\_\_\_



<b>Model</b>	IVORY_DF_CL1450		
<b>Creator</b>	PASATHORN	<b>.BCP Name</b>	INDEX_C3D_KITCHEN2
<b>Reviewer</b>		<b>Order</b>	I004804
<b>Approves</b>		<b>Date</b>	12/02/2026

No.	Article No.	Description	Mat	Dimension	Cutting Size	Typepology	Skin
0	IVORY_DF_CL1450 IVORY_DF_CL1450-01	IVORY_DF_CL1450 DFCL	PB-SP	1450x180x16 16x180x1450	16X179.4X1449.4;L1:W1	183000_STR=20.36_EDG=SAND STONE P7-500 M1-.6	2

<b>Model</b>	IVORY_DF_CL300		
<b>Creator</b>	PASATHORN	<b>.BCP Name</b>	INDEX_C3D_KITCHEN2
<b>Reviewer</b>		<b>Order</b>	I003076
<b>Approves</b>	P.SAWAI	<b>Date</b>	08/05/2024

## IVORY\_DF\_CL300-300X16X180

### Colour

20.36 ML MD216 (PEARL)\_

-  
-  
-

K100L-160169656  
K100R-160173917  
K101L-160169671  
K101R-160173932  
K102L-160173947  
K103R-160173964  
K104R-160173983  
K105L-160174005  
K106L-160174019  
K107R-160174032

### Edge

01.476 0.6 SAND STONE P7-500 M1 (73.216) \_

-  
-  
-

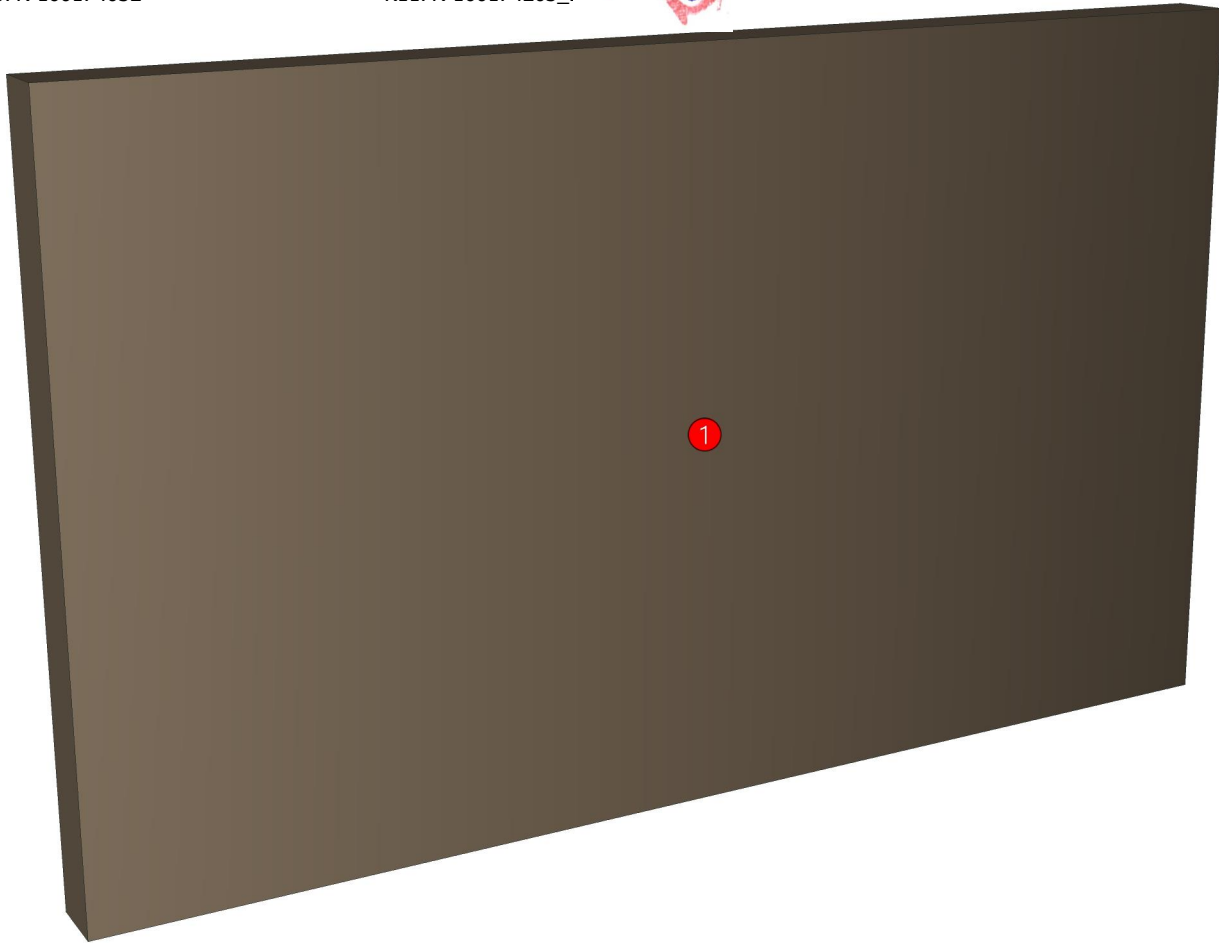
K118R-160174224\_I  
K119L-160174234\_E

K108L-160174046  
K109L-160174061  
K110L-160174078  
K111R-160174119  
K112R-160174137\_I  
K113R-160174146\_I  
K114R-160174156\_I  
  
K116R-160174181\_I  
K117R-160174203\_I

**R&D REVIEW**

- DWG.Customer
- Work Report
- Function
- สินค้าตรงตัวอย่าง

ผู้ทบทวน P.SAWAI  
25/8/2563



<b>Model</b>	IVORY_DF_CL300		
<b>Creator</b>	PASATHORN	<b>.BCP Name</b>	INDEX_C3D_KITCHEN2
<b>Reviewer</b>		<b>Order</b>	I003076
<b>Approves</b>	P. SAWAI	<b>Date</b>	08/05/2024

No.	Article No.	Description	Mat	Dimension	Cutting Size	Typepology	Skin
0	IVORY_DF_CL300 IVORY_DF_CL300-01	IVORY_DF_CL300 DF_CL-SP	PB-SP	300x180x16 16x180x300	16X179.4X299.4;L1:W1	183000_STR=20.36_EDG=SAND STONE P7-500 M1-.6	2

<b>Model</b>	IVORY_DL65S		
<b>Creator</b>	PASATHORN	<b>.BCP Name</b>	INDEX_C3D_KITCHEN2
<b>Reviewer</b>		<b>Order</b>	I004858
<b>Approves</b>	P.SAWAI	<b>Date</b>	18/02/2026

## **IVORY\_DL65S-650X300X625**

### **Colour**

05.109 ML.IVORY MD208(PEARL)\_

20.36 ML MD216 (PEARL)\_

-

-

-

### **Edge**

01.475 0.6 MD208 IVORY3995 (11013M1) \_

01.476 0.6 SAND STONE P7-500 M1 (73.216) \_

-

-

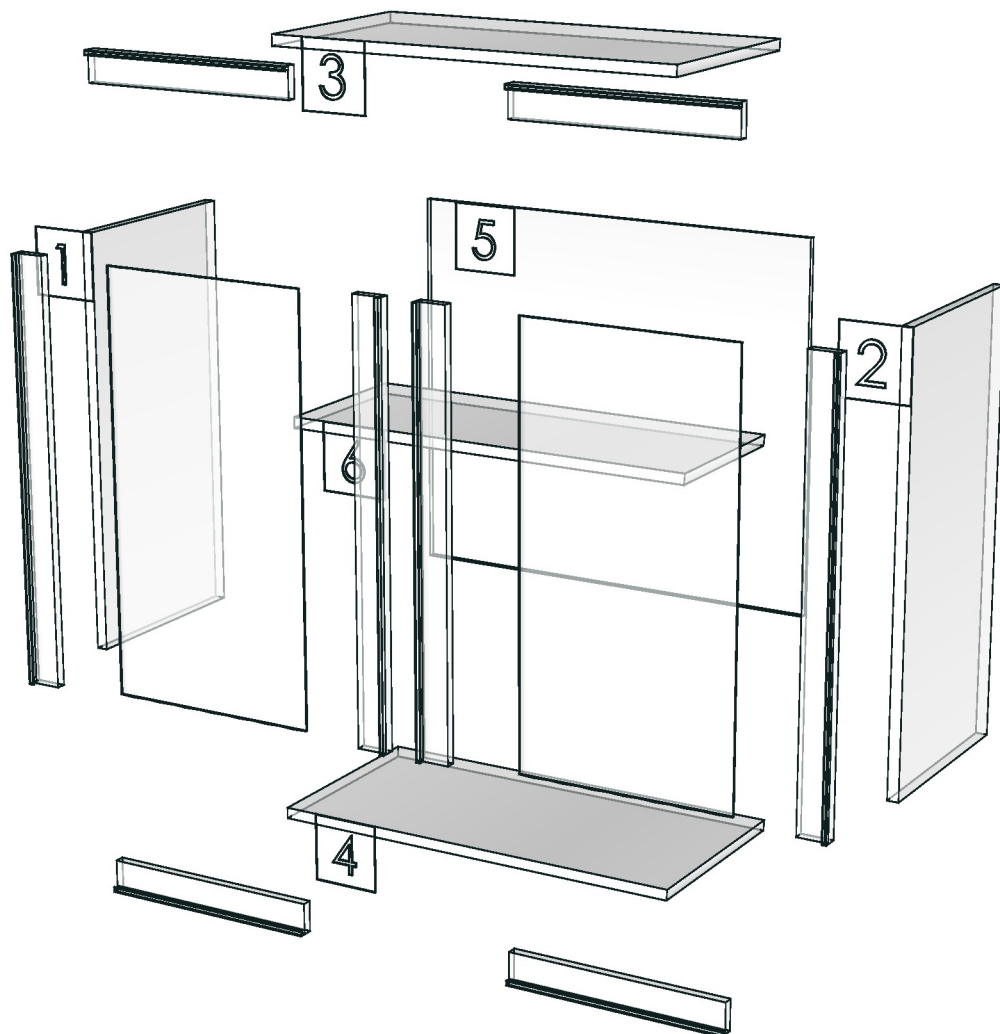
-

K118R-160174224

<b>R&amp;D REVIEW</b>	
<input checked="" type="checkbox"/>	DWG.Customer
<input checked="" type="checkbox"/>	Work Report
<input type="checkbox"/>	Function
<input type="checkbox"/>	สินค้าตรงตัวอย่าง
ผู้ทบทวน <u>P.SAWAI</u>	
<u>18/02/2026</u>	



<b>Model</b>	-IVORY_DL65S		
<b>Creator</b>		<b>.BCP Name</b>	INDEX_C3D_KITCHEN2
<b>Reviewer</b>		<b>Order</b>	I004858
<b>Approves</b>	P. SAWAI	<b>Date</b>	



<b>Model</b>	IVORY_DUT500		
<b>Creator</b>	PASATHORN	<b>.BCP Name</b>	INDEX_C3D_KITCHEN2
<b>Reviewer</b>		<b>Order</b>	I003067
<b>Approves</b>	P.SAWAI	<b>Date</b>	07/05/2024

## IVORY\_DUT500-500X60X12

**Colour**

05.01 ML WHITE VM1012 18/18\_

- 
- 
- 
- K100L-160169656
- K100R-160173917
- K101L-160169671
- K101R-160173932
- K102L-160173947
- K103R-160173964
- K104R-160173983
- K105L-160174005
- K106L-160174019
- K107R-160174032

**Edge**

01.24 0.6 WHITE \_

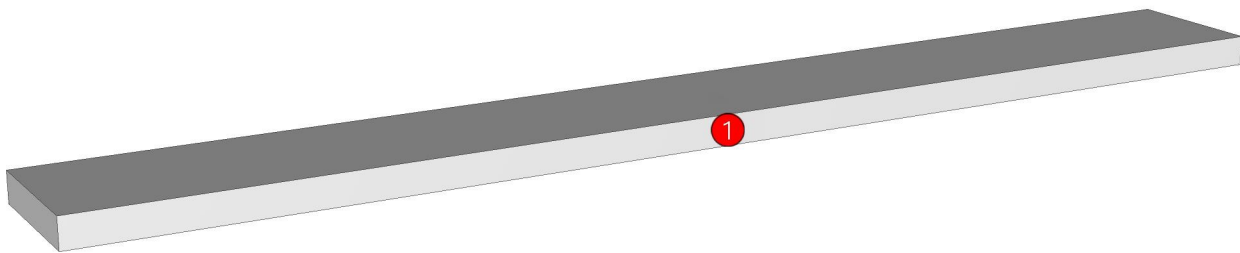
- 
- 
- 
- 
- K108L-160174046
- K109L-160174061
- K110L-160174078
- K111R-160174119
- K112R-160174137\_I
- K113R-160174146\_I
- K114R-160174156\_I
- K115R-160174167\_I
- K116R-160174181\_I
- K117R-160174203\_I
- K118R-160174224\_I
- K119L-160174234\_E
- K120L-160174251\_E
- K121R-160174265\_I
- K122R-160174284\_I
- K123L-160174303\_E
- K123R-160174419\_L

**R&D REVIEW**

- DWG.Customer
- Work Report
- Function
- สินค้าตรงตัวอย่าง

ผู้ทบทวน P.SAWAI

25/8/2563



<b>Model</b>	IVORY_DUT500		
<b>Creator</b>	PASATHORN	<b>.BCP Name</b>	INDEX_C3D_KITCHEN2
<b>Reviewer</b>		<b>Order</b>	I003067
<b>Approves</b>	P. SAWAI	<b>Date</b>	07/05/2024

No.	Article No.	Description	Mat	Dimension	Cutting Size	Typepology	Skin
0	IVORY_DUT500 IVORY_DUT500-01	IVORY_DUT500 DUT-SP	PB-SP	500x12x60 12x60x500	12X58.8X500;L2:W0	182000_STR=05.01_EDG=WHITE-.6	2

<b>Model</b>	IVORY_DUT700		
<b>Creator</b>	PASATHORN	<b>.BCP Name</b>	INDEX_C3D_KITCHEN2
<b>Reviewer</b>		<b>Order</b>	I004698
<b>Approves</b>	P.SAWAI	<b>Date</b>	22/01/2026

## IVORY\_DUT700-700X60X12

**Colour**

05.01 ML WHITE VM1012 18/18\_

-  
-  
-  
-

**Edge**

01.24 0.6 WHITE \_

-  
-  
-  
-

K118R-160174224\_ED

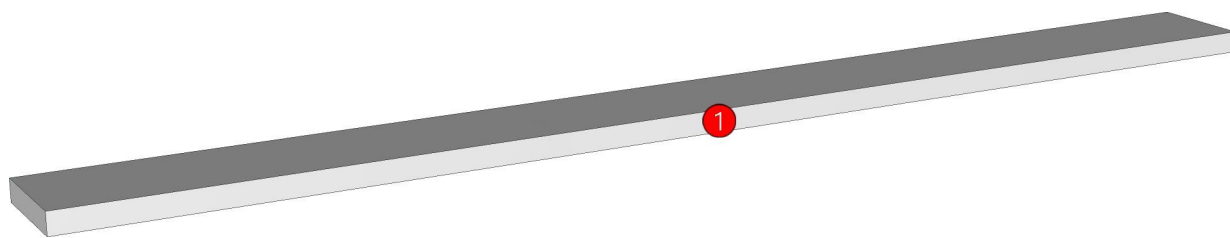
K110L-160174078

K122R-160174284\_ED

**R&D REVIEW**

- DWG.Customer
- Work Report
- Function
- สินค้าตรงตัวอย่าง

ผู้ทบทวน P.SAWAI  
22/01/2026



<b>Model</b>	IVORY_DUT700		
<b>Creator</b>	PASATHORN	<b>.BCP Name</b>	INDEX_C3D_KITCHEN2
<b>Reviewer</b>		<b>Order</b>	I004698
<b>Approves</b>	P. SAWAI	<b>Date</b>	22/01/2026

No.	Article No.	Description	Mat	Dimension	Cutting Size	Typepology	Skin
0	IVORY_DUT700 IVORY_DUT700-01	IVORY_DUT700 DUT-SP	PB-SP	700x12x60 12x60x700	12X58.8X700;L2:W0	182000_STR=05.01_EDG=WHITE-.6	2

<b>Model</b>	IVORY_DWO70RW		
<b>Creator</b>	PASATHORN	<b>.BCP Name</b>	INDEX_C3D_KITCHEN2
<b>Reviewer</b>		<b>Order</b>	I004853
<b>Approves</b>		<b>Date</b>	18/02/2026

## **IVORY\_DWO70RW-700X300X550**

### **Colour**

05.109 ML.IVORY MD208(PEARL)\_

20.36 ML MD216 (PEARL)\_

-

-

-

### **Edge**

01.475 0.6 MD208 IVORY3995 (11013M1) \_

01.476 0.6 SAND STONE P7-500 M1 (73.216) \_

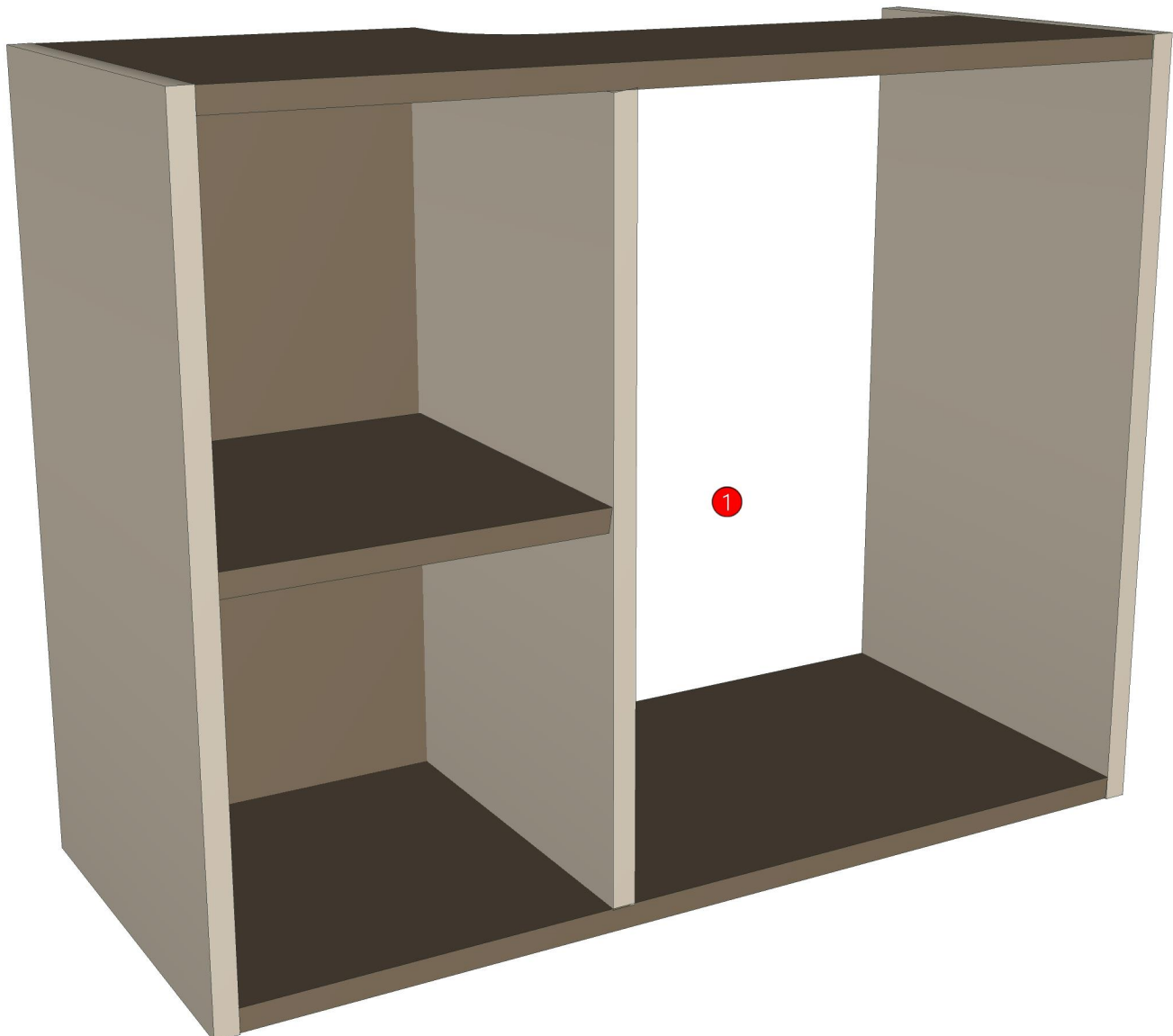
-

-

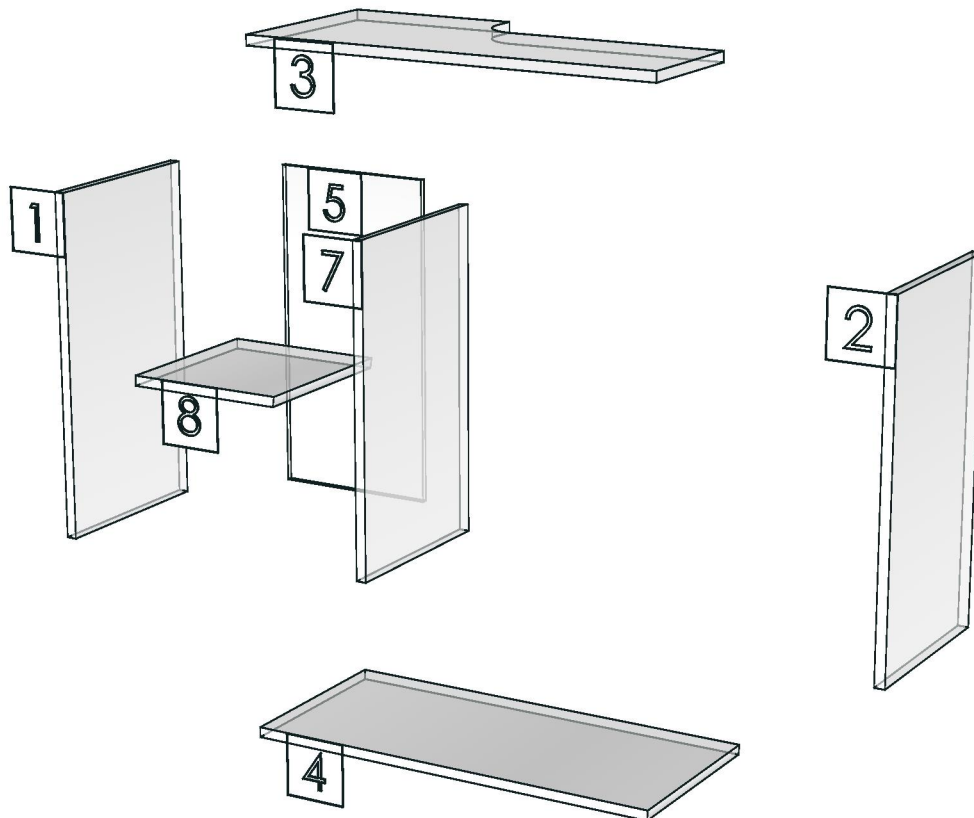
-

K118R-160174224

<b>R&amp;D REVIEW</b>	
<input checked="" type="checkbox"/>	DWG.Customer
<input checked="" type="checkbox"/>	Work Report
<input type="checkbox"/>	Function
<input type="checkbox"/>	สินค้าตรงตัวอย่าง
ผู้ทบทวน _____	
_____	



<b>Model</b>	-IVORY_DWO70RW		
<b>Creator</b>		<b>.BCP Name</b>	INDEX_C3D_KITCHEN2
<b>Reviewer</b>		<b>Order</b>	I004853
<b>Approves</b>		<b>Date</b>	



<b>Model</b>	IVORY_D_PLT618		
<b>Creator</b>	PASATHORN	<b>.BCP Name</b>	INDEX_C3D_KITCHEN2
<b>Reviewer</b>		<b>Order</b>	I004796
<b>Approves</b>		<b>Date</b>	12/02/2026

## **IVORY\_D\_PLT618-618X9X100**

**Colour**

20.36 ML MD216 (PEARL)\_

-  
-  
-  
-

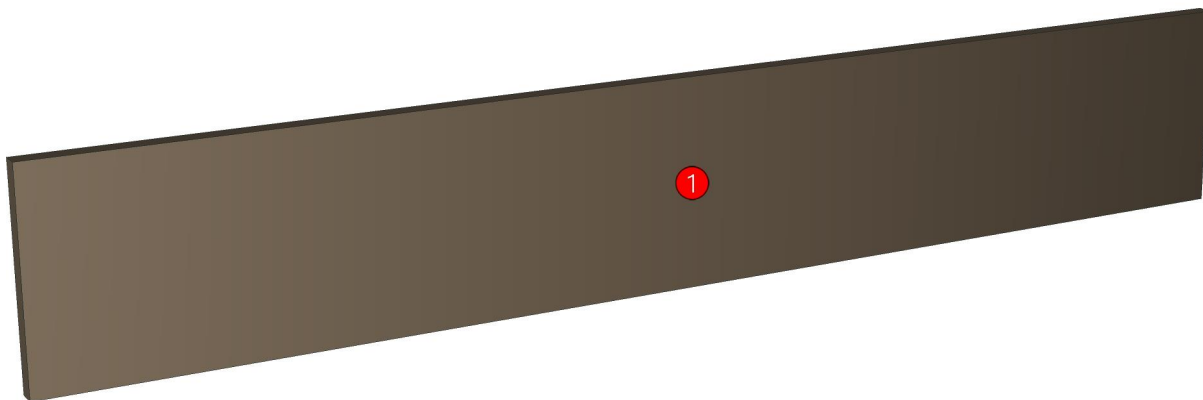
**Edge**

01.476 0.6 SAND STONE P7-500 M1 (73.216) \_

-  
-  
-  
- K118R-160174224

K123L-160174303  
K123R-160174419

<b>R&amp;D REVIEW</b>	
<input checked="" type="checkbox"/>	DWG.Customer
<input checked="" type="checkbox"/>	Work Report
<input type="checkbox"/>	Function
<input type="checkbox"/>	สินค้าตรงตัวอย่าง
ผู้ทบทวน _____	



<b>Model</b>	IVORY_D_PLT618		
<b>Creator</b>	PASATHORN	<b>.BCP Name</b>	INDEX_C3D_KITCHEN2
<b>Reviewer</b>		<b>Order</b>	I004796
<b>Approves</b>		<b>Date</b>	12/02/2026

No.	Article No.	Description	Mat	Dimension	Cutting Size	Typepology	Skin
0	IVORY_D_PLT618	IVORY_D_PLT618		618x100x9			
	IVORY_D_PLT618-01	D_PLINT-SP	PB-SP	9x100x618	9X98.8X616.8;L2:W2	183000_STR=20.36_EDG=SAND STONE P7-500 M1-.6	2

<b>Model</b>	IVORY_LED617R		
<b>Creator</b>	PASATHORN	<b>.BCP Name</b>	INDEX_C3D_KITCHEN2
<b>Reviewer</b>		<b>Order</b>	I004841
<b>Approves</b>		<b>Date</b>	18/02/2026

## **IVORY\_LED617R-617X299X49**

**Colour**

20.36 ML MD216 (PEARL)\_

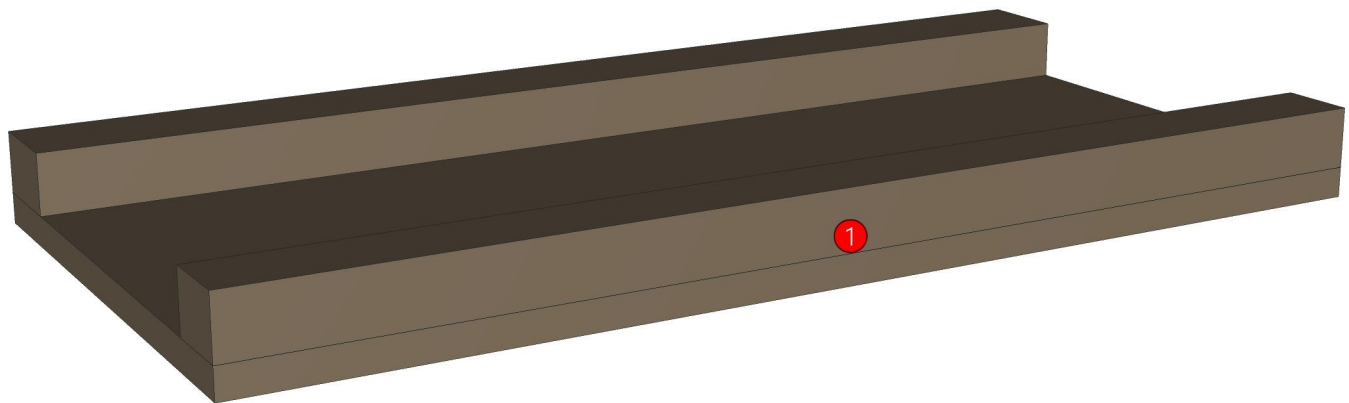
-  
-  
-  
-

**Edge**

01.476 0.6 SAND STONE P7-500 M1 (73.216) \_

-  
-  
-  
- K118R-160174224

<b>R&amp;D REVIEW</b>	
<input checked="" type="checkbox"/>	DWG.Customer
<input checked="" type="checkbox"/>	Work Report
<input type="checkbox"/>	Function
<input type="checkbox"/>	สินค้าตรงตัวอย่าง
ผู้ทบทวน _____	



<b>Model</b>	IVORY_LED617R		
<b>Creator</b>	PASATHORN	<b>.BCP Name</b>	INDEX_C3D_KITCHEN2
<b>Reviewer</b>		<b>Order</b>	I004841
<b>Approves</b>		<b>Date</b>	18/02/2026

No.	Article No.	Description	Mat	Dimension	Cutting Size	Typepology	Skin
0	IVORY_LED617R	IVORY_LED617R		617x49x299			
	IVORY_LED617R-01	LEDBOX-SP	PB-SP	48x299x617	L2:W0	50000_STR=20.36_EDG=SAND STONE P7-500 M1-.6	2
	IVORY_LED617R-01A	FLOOR BOX	PB-SP	16x299x617	16X299X617;NO EDGE	182000_STR=20.36_EDG=-	2
	IVORY_LED617R-01B	Front SUPPORT BOX	PB-ST	32x40x617	32X40X617;NO EDGE	182001_STR=20.36_EDG=-	2
	IVORY_LED617R-01C	BACK SUPPORT BOX	PB-ST	32x50x617	32X50X617;NO EDGE	182002_STR=20.36_EDG=-	2