

Model	IVORY_DB75R		
Creator	PASATHORN	.BCP Name	INDEX_C3D_KITCHEN2
Reviewer		Order	I004883
Approves		Date	19/02/2026

IVORY_DB75R-750X570X901

Colour

05.109 ML.IVORY MD208(PEARL)_

20.36 ML MD216 (PEARL)_

-

-

-

Edge

01.475 0.6 MD208 IVORY3995 (11013M1) _

01.476 0.6 SAND STONE P7-500 M1 _

-

-

-

R&D REVIEW

DWG.Customer

Work Report

Function

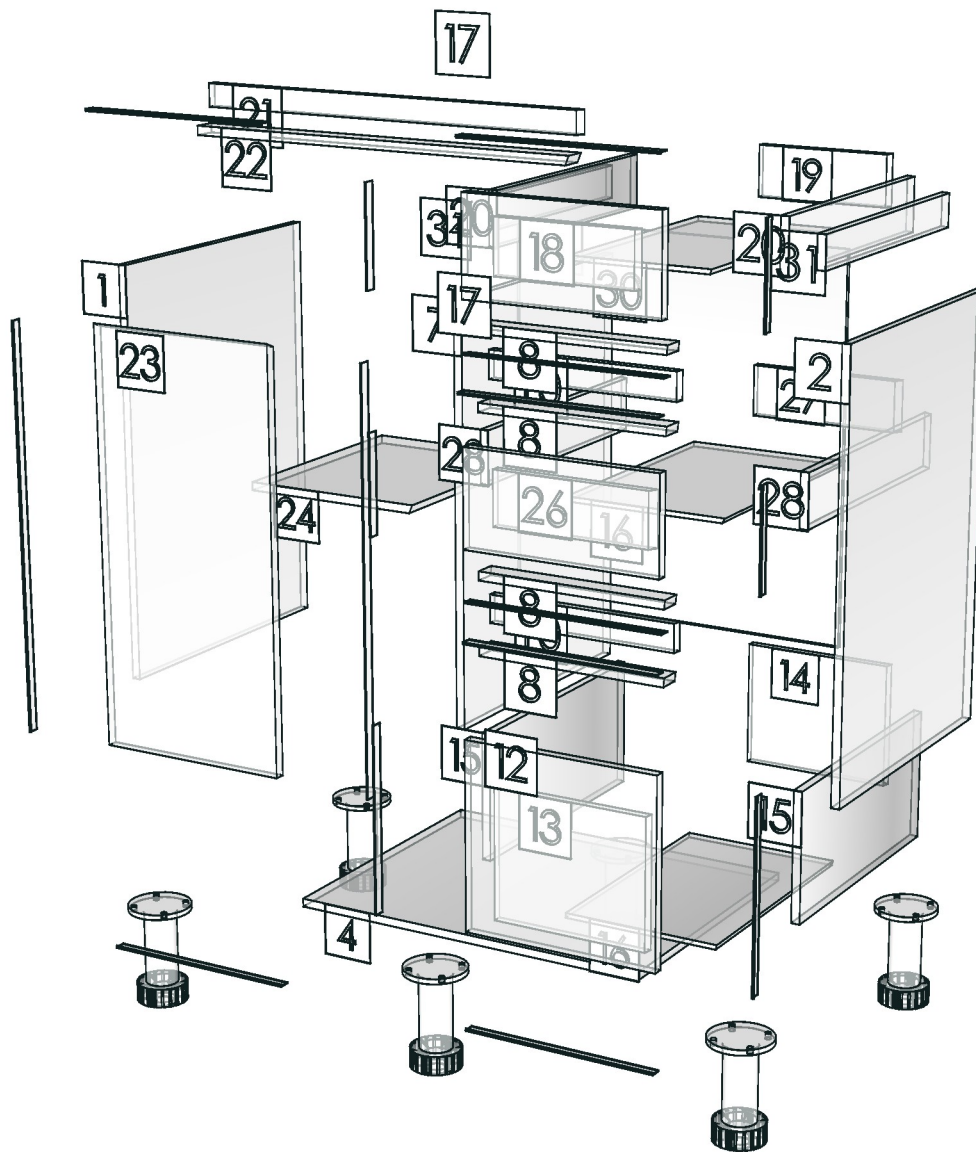
สินค้าตรงตัวอย่าง

ผู้ทบทวน _____

K114R-160174156



Model	-IVORY_DB75R		
Creator		.BCP Name	INDEX_C3D_KITCHEN2
Reviewer		Order	I004883
Approves		Date	



Model	IVORY_DBO734		
Creator	PASATHORN	.BCP Name	INDEX_C3D_KITCHEN2
Reviewer		Order	I004869
Approves		Date	18/02/2026

IVORY_DBO734-734X593X901

Colour

05.109 ML.IVORY MD208(PEARL)_

20.36 ML MD216 (PEARL)_

-

-

-

Edge

01.475 0.6 MD208 IVORY3995 (11013M1) _

01.476 0.6 SAND STONE P7-500 M1 (73.216) _

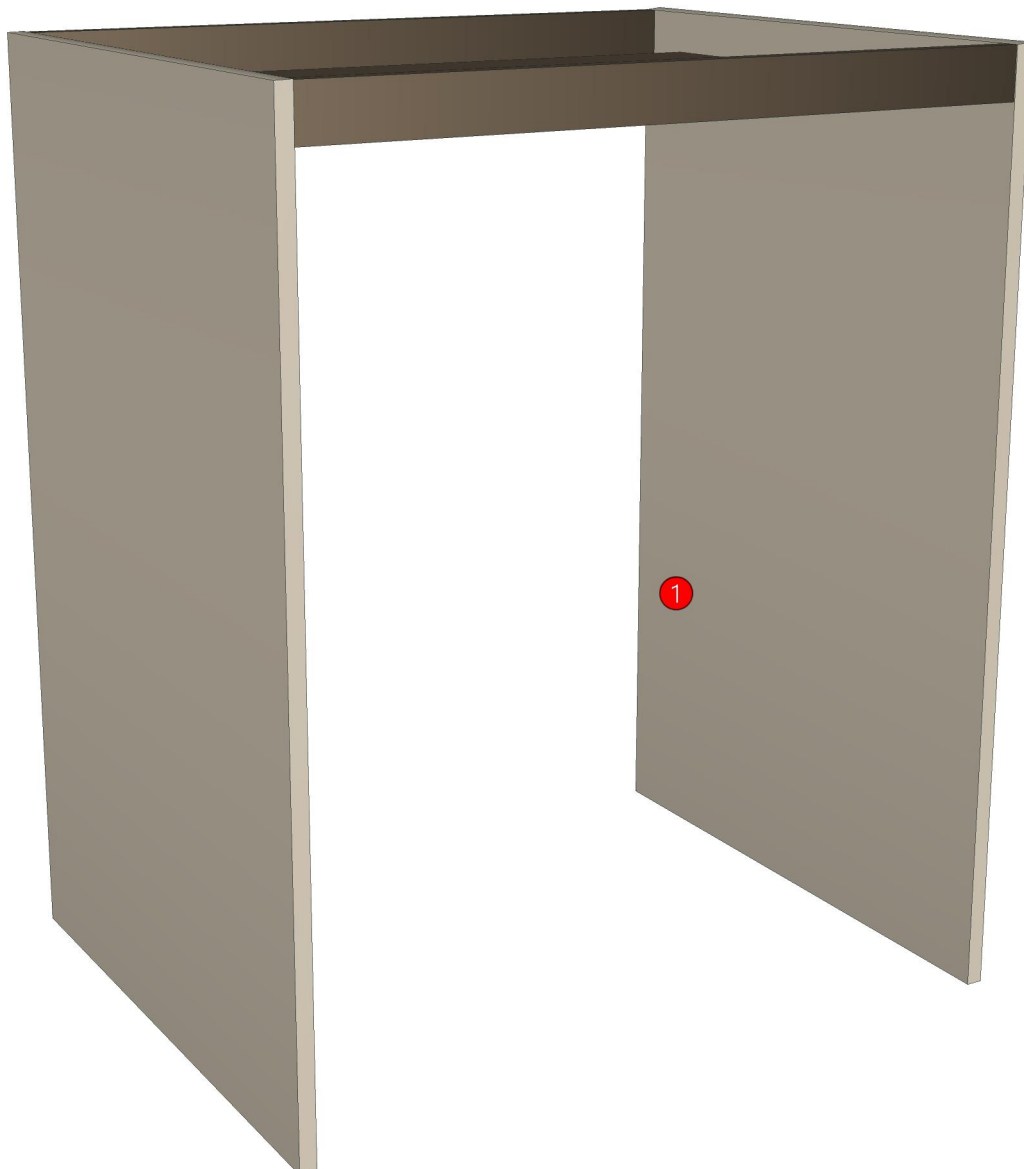
-

-

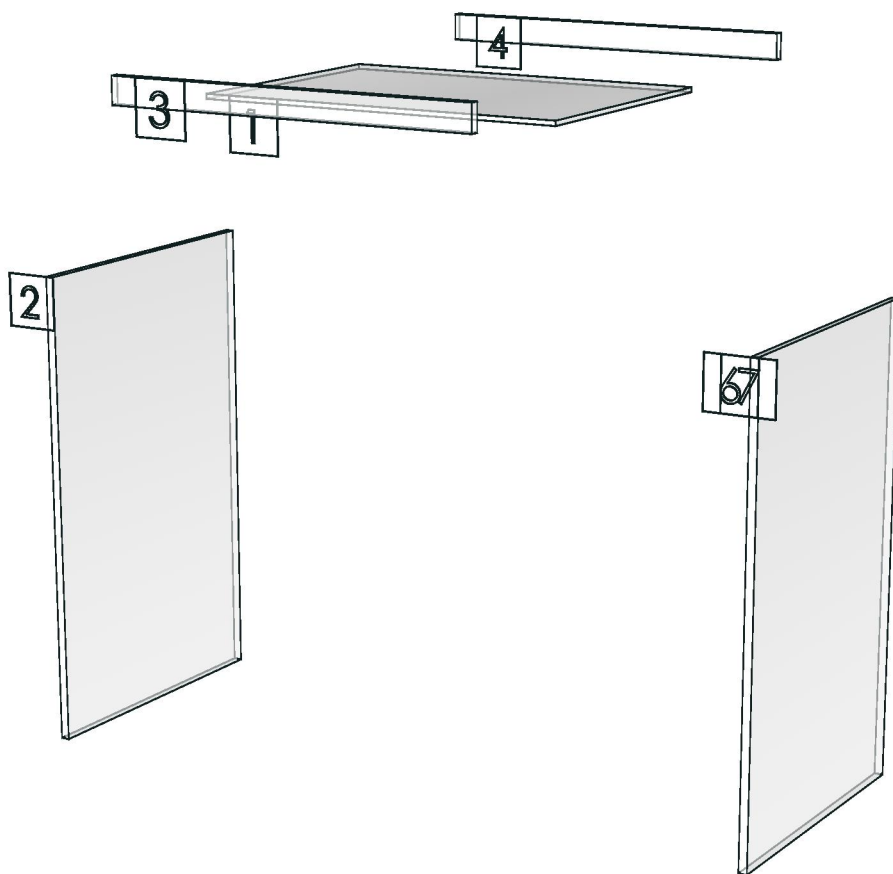
-

R&D REVIEW	
<input checked="" type="checkbox"/>	DWG.Customer
<input checked="" type="checkbox"/>	Work Report
<input type="checkbox"/>	Function
<input type="checkbox"/>	สินค้าตรงตัวอย่าง
ผู้ทบทวน _____	

K114R-160174156



Model	-IVORY_DBO734		
Creator		.BCP Name	INDEX_C3D_KITCHEN2
Reviewer		Order	I004869
Approves		Date	



Model	IVORY_DFL		
Creator	PASATHORN	.BCP Name	INDEX_C3D_KITCHEN2
Reviewer		Order	I003081
Approves	<i>P.SAWAI</i>	Date	08/05/2024

IVORY_DFL-150X19X625

Colour

05.109 ML.IVORY MD208(PEARL)_

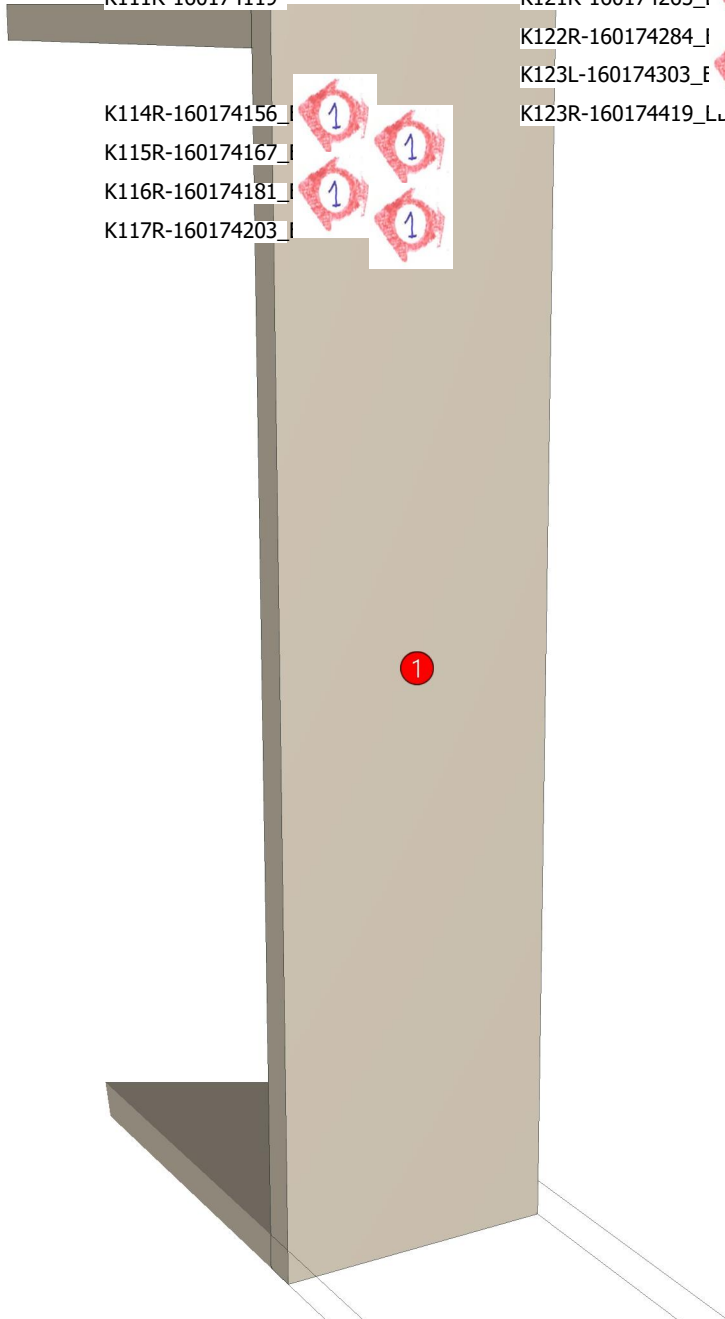
-
-
-
- K100L-160169656
- K100R-160173917
-
- K102L-160173947
- K103R-160173964
- K104R-160173983
- K105L-160174005
-
- K107R-160174032

Edge

01.475 0.6 MD208 IVORY3995 (11013M1) _

-
-
-
-
- K108L-160174046
- K109L-160174061
- K110L-160174078
- K111R-160174119
-
- K114R-160174156
- K115R-160174167
- K116R-160174181
- K117R-160174203

-
-
-
-
-
- K119L-160174234_E
- K120L-160174251_E
- K121R-160174265_I
- K122R-160174284_I
- K123L-160174303_E
- K123R-160174419_L



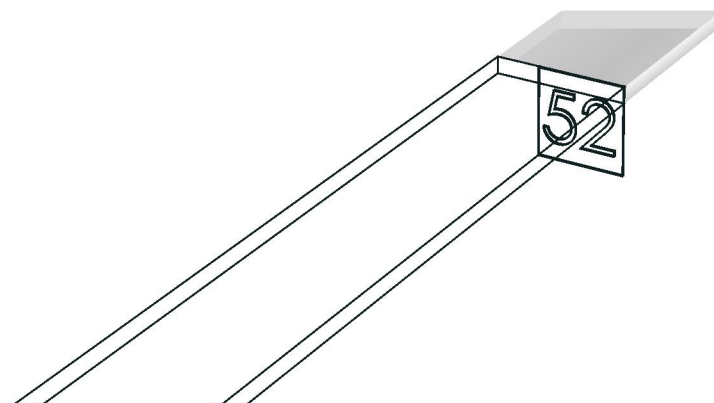
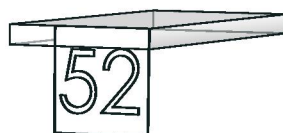
R&D REVIEW

- DWG.Customer
- Work Report
- Function
- สินค้าตรงตัวอย่าง

ผู้ทบทวน P.SAWAI

25/8/24

Model	-IVORY_DFL		
Creator		.BCP Name	INDEX_C3D_KITCHEN2
Reviewer		Order	I003081
Approves	P-SAWAI	Date	



Model	IVORY_DF_CL1550		
Creator	PASATHORN	.BCP Name	INDEX_C3D_KITCHEN2
Reviewer		Order	I004723
Approves	P.SAWAI	Date	22/01/2026

IVORY_DF_CL1550-1550X16X180

Colour

20.36 ML MD216 (PEARL)_

-
-
-
-

Edge

01.476 0.6 SAND STONE P7-500 M1 (73.216) _

-
-
-
-

K110L-160174078

K104R-160173983

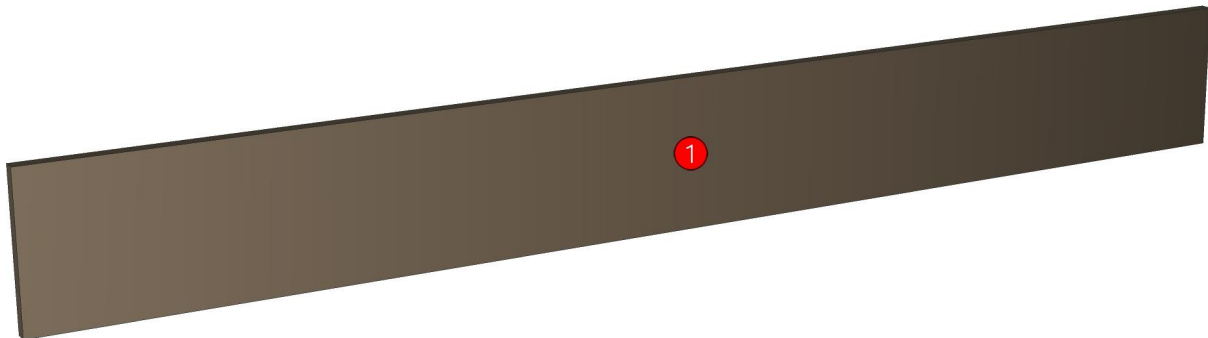
K114R-160174156_I



R&D REVIEW

- DWG.Customer
- Work Report
- Function
- สินค้าตรงตัวอย่าง

ผู้ทบทวน P.SAWAI
22/01/2026



Model	IVORY_DF_CL1550		
Creator	PASATHORN	.BCP Name	INDEX_C3D_KITCHEN2
Reviewer		Order	I004723
Approves	P. SAWAI	Date	22/01/2026

No.	Article No.	Description	Mat	Dimension	Cutting Size	Typepology	Skin
0	IVORY_DF_CL1550 IVORY_DF_CL1550-01	IVORY_DF_CL1550 DFCL	PB-SP	1550x180x16 16x180x1550	16X179.4X1549.4;L1:W1	183000_STR=20.36_EDG=SAND STONE P7-500 M1-.6	2

Model	IVORY_DF_CL300		
Creator	PASATHORN	.BCP Name	INDEX_C3D_KITCHEN2
Reviewer		Order	I003076
Approves	P.SAWAI	Date	08/05/2024

IVORY_DF_CL300-300X16X180

Colour

20.36 ML MD216 (PEARL)_

-

-

-

K100L-160169656

K100R-160173917

K101L-160169671

K101R-160173932

K102L-160173947

K103R-160173964

K104R-160173983

K105L-160174005

K106L-160174019

K107R-160174032

Edge

01.476 0.6 SAND STONE P7-500 M1 (73.216) _

-

-

-

K118R-160174224_I

K119L-160174234_E

K108L-160174046

K109L-160174061

K110L-160174078

K111R-160174119

K112R-160174137_I

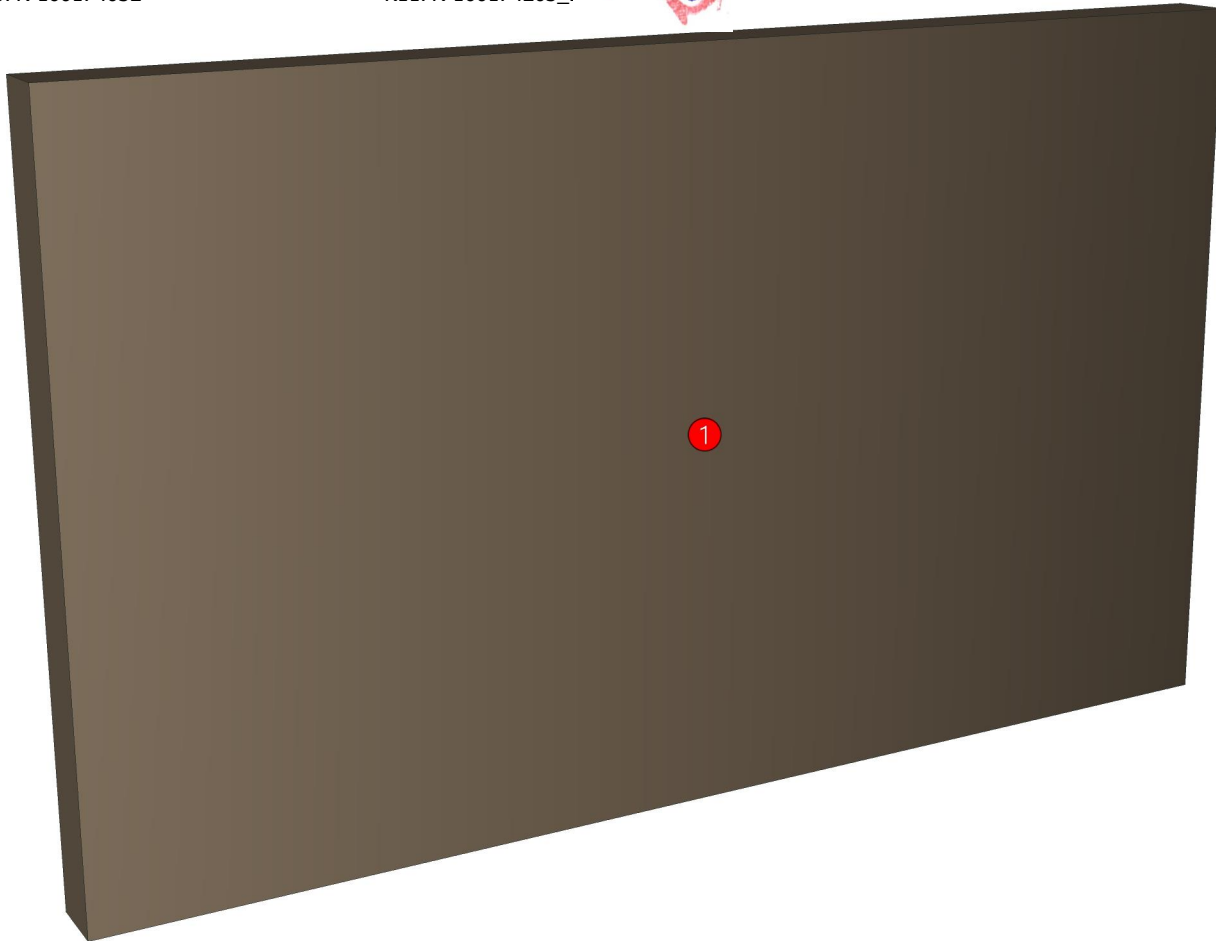
K113R-160174146_I

K114R-160174156_I

K116R-160174181_I

K117R-160174203_I

R&D REVIEW	
<input checked="" type="checkbox"/>	DWG.Customer
<input checked="" type="checkbox"/>	Work Report
<input type="checkbox"/>	Function
<input type="checkbox"/>	สินค้าตรงตัวอย่าง
ผู้ทบทวน P.SAWAI	
25/8/2563	



Model	IVORY_DF_CL300		
Creator	PASATHORN	.BCP Name	INDEX_C3D_KITCHEN2
Reviewer		Order	I003076
Approves	P. SAWAI	Date	08/05/2024

No.	Article No.	Description	Mat	Dimension	Cutting Size	Typepology	Skin
0	IVORY_DF_CL300 IVORY_DF_CL300-01	IVORY_DF_CL300 DF_CL-SP	PB-SP	300x180x16 16x180x300	16X179.4X299.4;L1:W1	183000_STR=20.36_EDG=SAND STONE P7-500 M1-.6	2

Model	IVORY_DL60HR		
Creator	PASATHORN	.BCP Name	INDEX_C3D_KITCHEN2
Reviewer		Order	I003096
Approves	P-SAWAI	Date	11/05/2024

IVORY_DL60HR-600X300X580

Colour

05.109 ML.IVORY MD208(PEARL)_
20.36 ML MD216 (PEARL)_

-
-

K100L-160169656

K108L-160174046

K109L-160174061

K101L-160169671

K110L-160174078

K102L-160173947

K103R-160173964

K114R-160174156

K105L-160174005

K106L-160174019

Edge

01.475 0.6 MD208 IVORY3995 (11013M1) _
01.476 0.6 SAND STONE P7-500 M1 (73.216) _

-
-
-

K119L-160174234

K120L-160174251

K123L-160174303

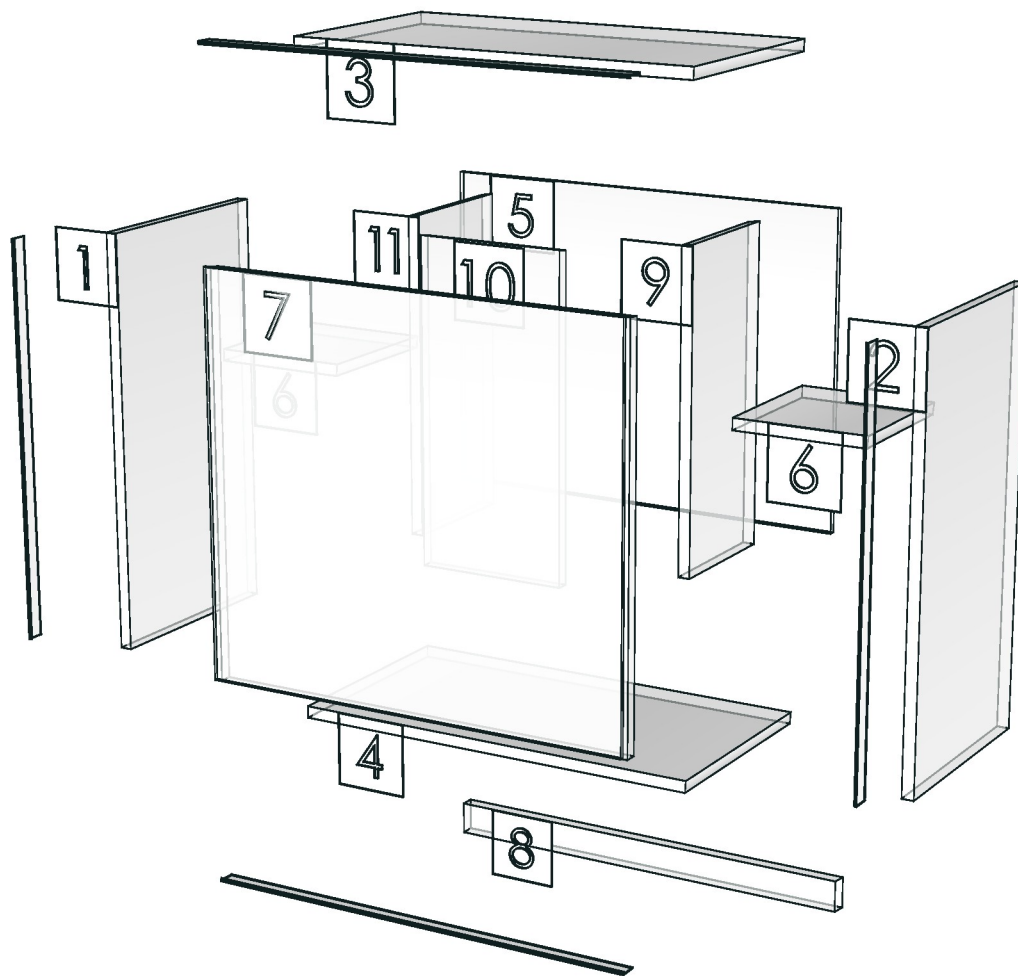
R&D REVIEW

- DWG.Customer
- Work Report
- Function
- สิ้นค้าตรงตัวอย่าง

ผู้ทบทวน P-SAWAI
11/05/2024



Model	-IVORY_DL60HR	.BCP Name	INDEX_C3D_KITCHEN2
Creator		Order	I003096
Reviewer		Date	
Approves	P. SAWAI		



Model	IVORY_DLOMV85R		
Creator	PASATHORN	.BCP Name	INDEX_C3D_KITCHEN2
Reviewer		Order	I004862
Approves		Date	18/02/2026

IVORY_DLOMV85R-850X380X625

Colour

05.109 ML.IVORY MD208(PEARL)_

20.36 ML MD216 (PEARL)_

-

-

-

Edge

01.475 0.6 MD208 IVORY3995 (11013M1) _

01.476 0.6 SAND STONE P7-500 M1 (73.216) _

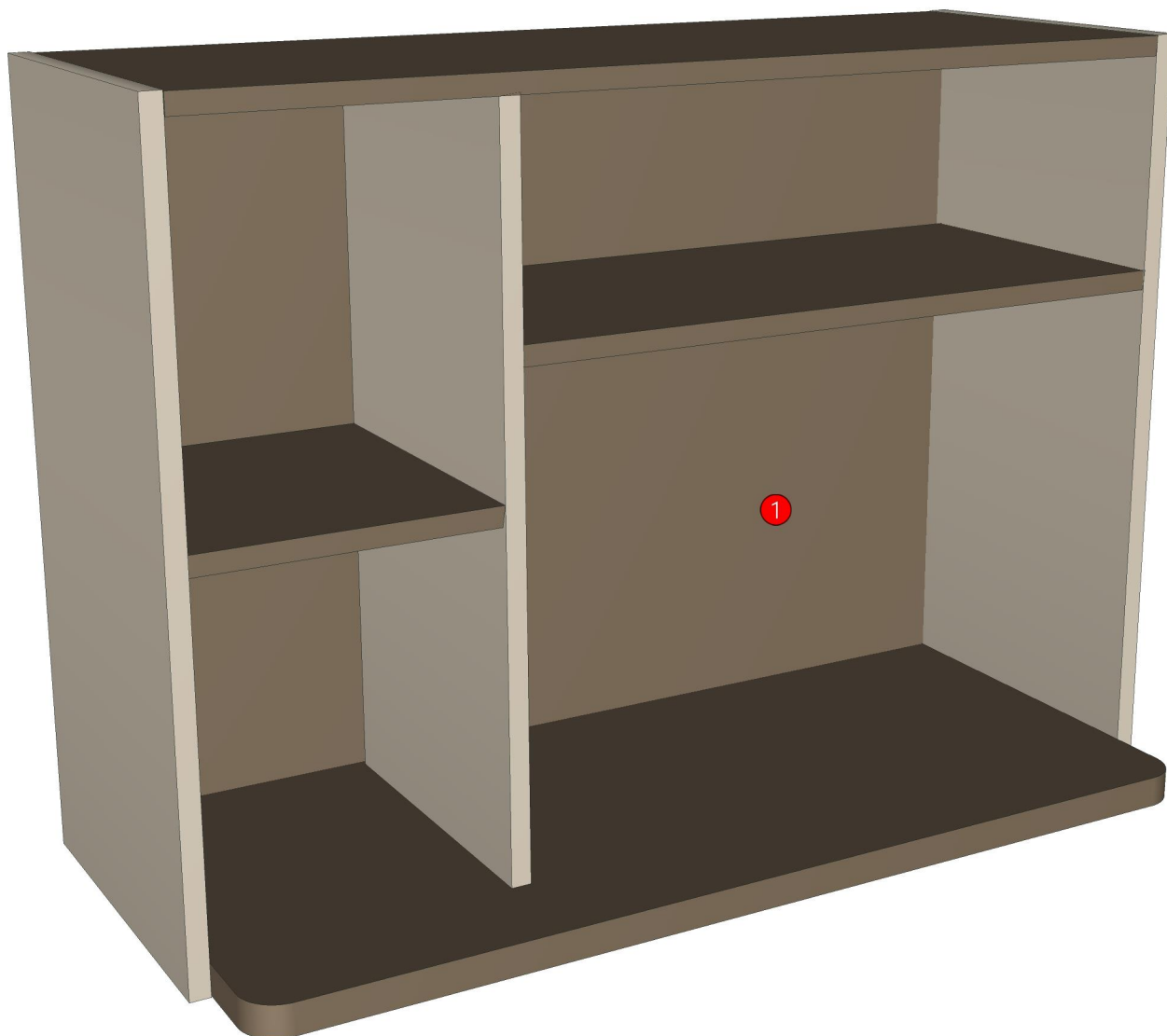
-

-

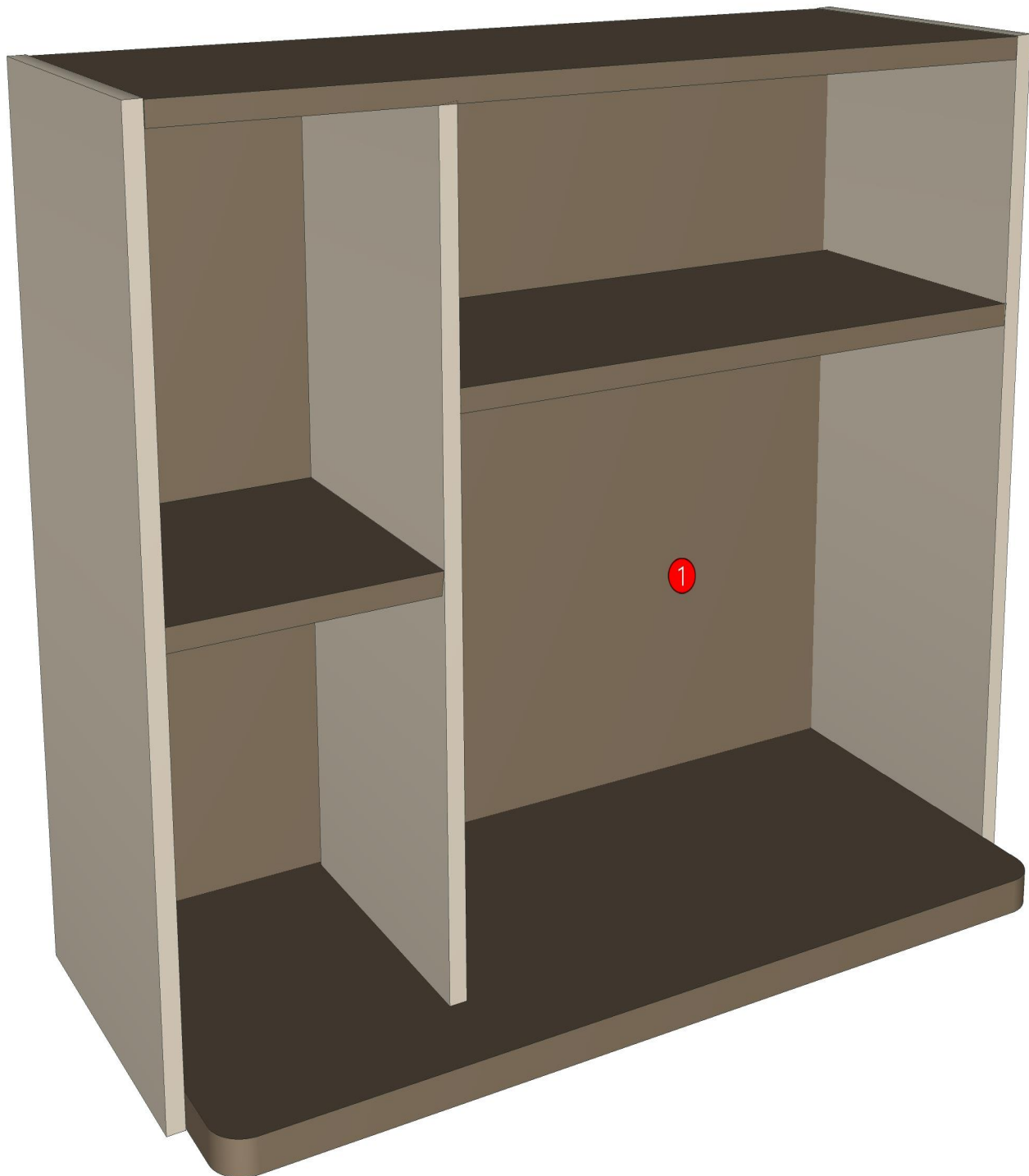
-

R&D REVIEW	
<input checked="" type="checkbox"/>	DWG.Customer
<input checked="" type="checkbox"/>	Work Report
<input type="checkbox"/>	Function
<input type="checkbox"/>	สินค้าตรงตัวอย่าง
ผู้ทบทวน _____	

K114R-160174156



Model	-IVORY_DLOMV85R		
Creator		.BCP Name	INDEX_C3D_KITCHEN2
Reviewer		Order	I004862
Approves		Date	



Model	IVORY_DUT1900		
Creator	PASATHORN	.BCP Name	INDEX_C3D_KITCHEN2
Reviewer		Order	I004794
Approves		Date	12/02/2026

IVORY_DUT1900-1900X60X12

Colour

05.01 ML WHITE VM1012 18/18_

-
-
-
-

Edge

01.24 0.6 WHITE _

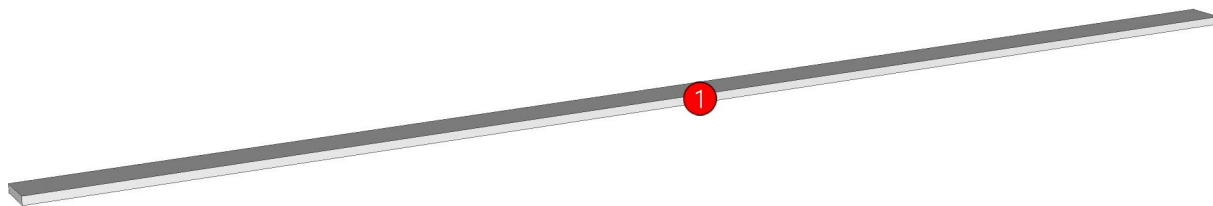
-
-
-
-

R&D REVIEW	
<input checked="" type="checkbox"/>	DWG.Customer
<input checked="" type="checkbox"/>	Work Report
<input type="checkbox"/>	Function
<input type="checkbox"/>	สินค้าตรงตัวอย่าง
ผู้ทบทวน _____	

K114R-160174156

K115R-160174167

K116R-160174181



Model	IVORY_DUT1900		
Creator	PASATHORN	.BCP Name	INDEX_C3D_KITCHEN2
Reviewer		Order	I004794
Approves		Date	12/02/2026

No.	Article No.	Description	Mat	Dimension	Cutting Size	Typepology	Skin
0	IVORY_DUT1900 IVORY_DUT1900-01	IVORY_DUT1900 DUT-SP	PB-SP	1900x12x60 12x60x1900	12X58.8X1900;L2:W0	182000_STR=05.01_EDG=WHITE-.6	2

Model	IVORY_DUT500		
Creator	PASATHORN	.BCP Name	INDEX_C3D_KITCHEN2
Reviewer		Order	I003067
Approves	P.SAWAI	Date	07/05/2024

IVORY_DUT500-500X60X12

Colour

05.01 ML WHITE VM1012 18/18_

-
-
-
- K100L-160169656
- K100R-160173917
- K101L-160169671
- K101R-160173932
- K102L-160173947
- K103R-160173964
- K104R-160173983
- K105L-160174005
- K106L-160174019
- K107R-160174032

Edge

01.24 0.6 WHITE _

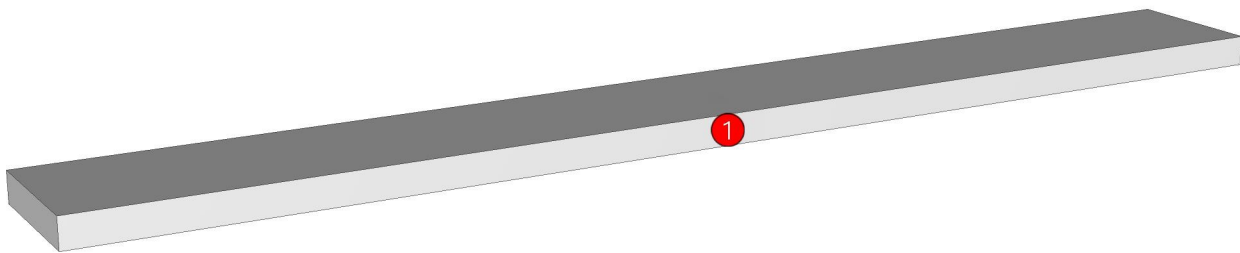
-
-
-
- K108L-160174046
- K109L-160174061
- K110L-160174078
- K111R-160174119
- K112R-160174137_↓
- K113R-160174146_↓
- K114R-160174156_↓
- K115R-160174167_↓
- K116R-160174181_↓
- K117R-160174203_↓
- K118R-160174224_↓
- K119L-160174234_E
- K120L-160174251_E
- K121R-160174265_↓
- K122R-160174284_↓
- K123L-160174303_E
- K123R-160174419_L

R&D REVIEW

- DWG.Customer
- Work Report
- Function
- สินค้าตรงตัวอย่าง

ผู้ทบทวน P.SAWAI

25/8/2563



Model	IVORY_DUT500		
Creator	PASATHORN	.BCP Name	INDEX_C3D_KITCHEN2
Reviewer		Order	I003067
Approves	P. SAWAI	Date	07/05/2024

No.	Article No.	Description	Mat	Dimension	Cutting Size	Typepology	Skin
0	IVORY_DUT500 IVORY_DUT500-01	IVORY_DUT500 DUT-SP	PB-SP	500x12x60 12x60x500	12X58.8X500;L2:W0	182000_STR=05.01_EDG=WHITE-.6	2

Model	IVORY_D_BOXK114		
Creator	PASATHORN	.BCP Name	INDEX_C3D_KITCHEN2
Reviewer		Order	I004873
Approves		Date	19/02/2026

IVORY_D_BOXK114-450X450X800

Colour

05.109 ML.IVORY MD208(PEARL)_

-
-
-
-

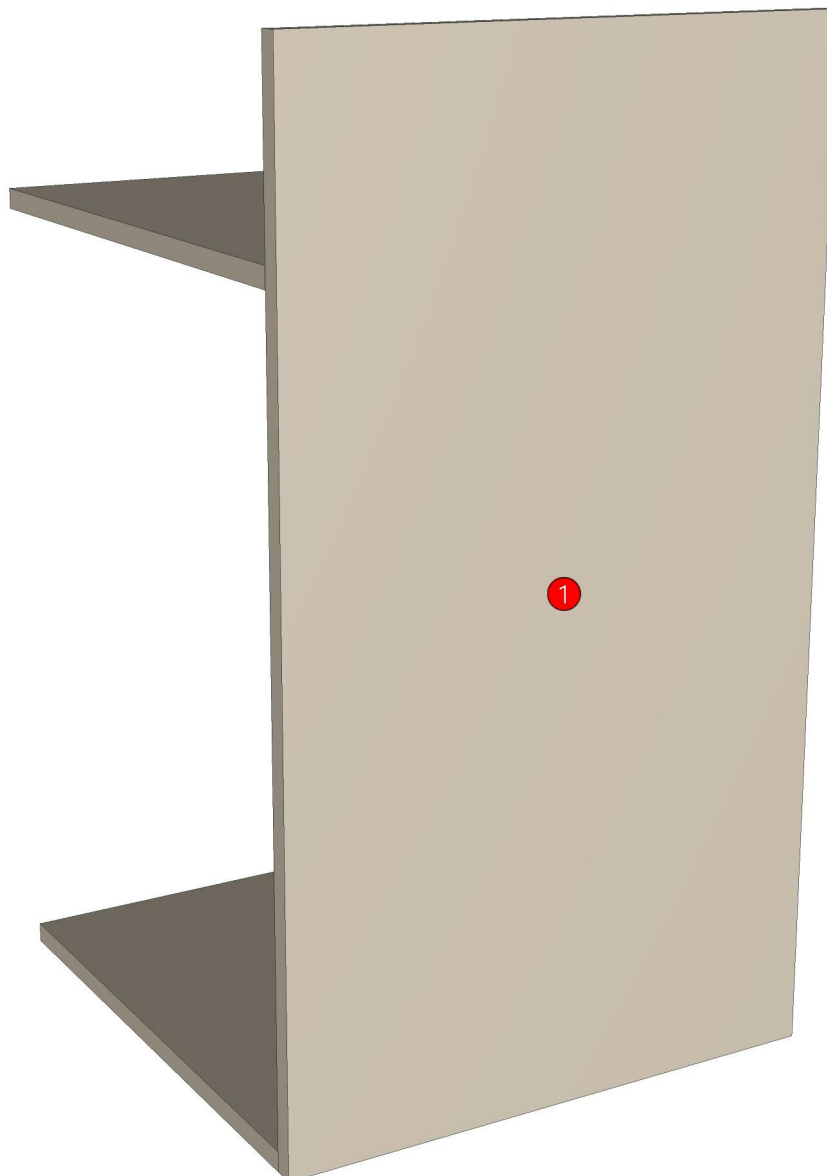
Edge

01.475 0.6 MD208 IVORY3995 (11013M1) _

-
-
-
-

R&D REVIEW	
<input checked="" type="checkbox"/>	DWG.Customer
<input checked="" type="checkbox"/>	Work Report
<input type="checkbox"/>	Function
<input type="checkbox"/>	สินค้าตรงตัวอย่าง
ผู้ทบทวน _____	

K114R-160174156



Model	-IVORY_D_BOXK114		
Creator		.BCP Name	INDEX_C3D_KITCHEN2
Reviewer		Order	I004873
Approves		Date	



Model	IVORY_D_PLT750		
Creator	PASATHORN	.BCP Name	INDEX_C3D_KITCHEN2
Reviewer		Order	I004797
Approves		Date	12/02/2026

IVORY_D_PLT750-750X9X100

Colour

20.36 ML MD216 (PEARL)_

-
-
-
-

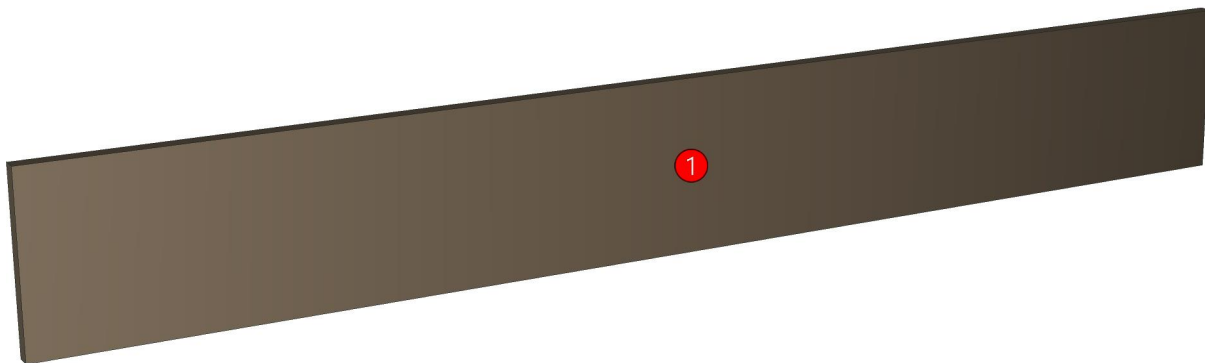
Edge

01.476 0.6 SAND STONE P7-500 M1 (73.216) _

-
-
-
-

R&D REVIEW	
<input checked="" type="checkbox"/>	DWG.Customer
<input checked="" type="checkbox"/>	Work Report
<input type="checkbox"/>	Function
<input type="checkbox"/>	สินค้าตรงตัวอย่าง
ผู้ทบทวน _____	

K114R-160174156



Model	IVORY_D_PLT750		
Creator	PASATHORN	.BCP Name	INDEX_C3D_KITCHEN2
Reviewer		Order	I004797
Approves		Date	12/02/2026

No.	Article No.	Description	Mat	Dimension	Cutting Size	Typepology	Skin
0	IVORY_D_PLT750 IVORY_D_PLT750-01	IVORY_D_PLT750 D_PLINT-SP	PB-SP	750x100x9 9x100x750	9X98.8X748.8;L2:W2	183000_STR=20.36_EDG=SAND STONE P7-500 M1-.6	2