

Model	IVORY_DB1768L		
Creator	PASATHORN	.BCP Name	INDEX_C3D_KITCHEN2
Reviewer		Order	I004789
Approves	<i>P.SAWAI</i>	Date	05/02/2026

IVORY_DB1768L-1768X570X901

Colour

05.109 ML.IVORY MD208(PEARL)_

20.36 ML MD216 (PEARL)_

-

-

-

K108L-160174046

Edge

01.475 0.6 MD208 IVORY3995 (11013M1) _

01.476 0.6 SAND STONE P7-500 M1 (73.216) _

-

-

-

R&D REVIEW

DWG.Customer

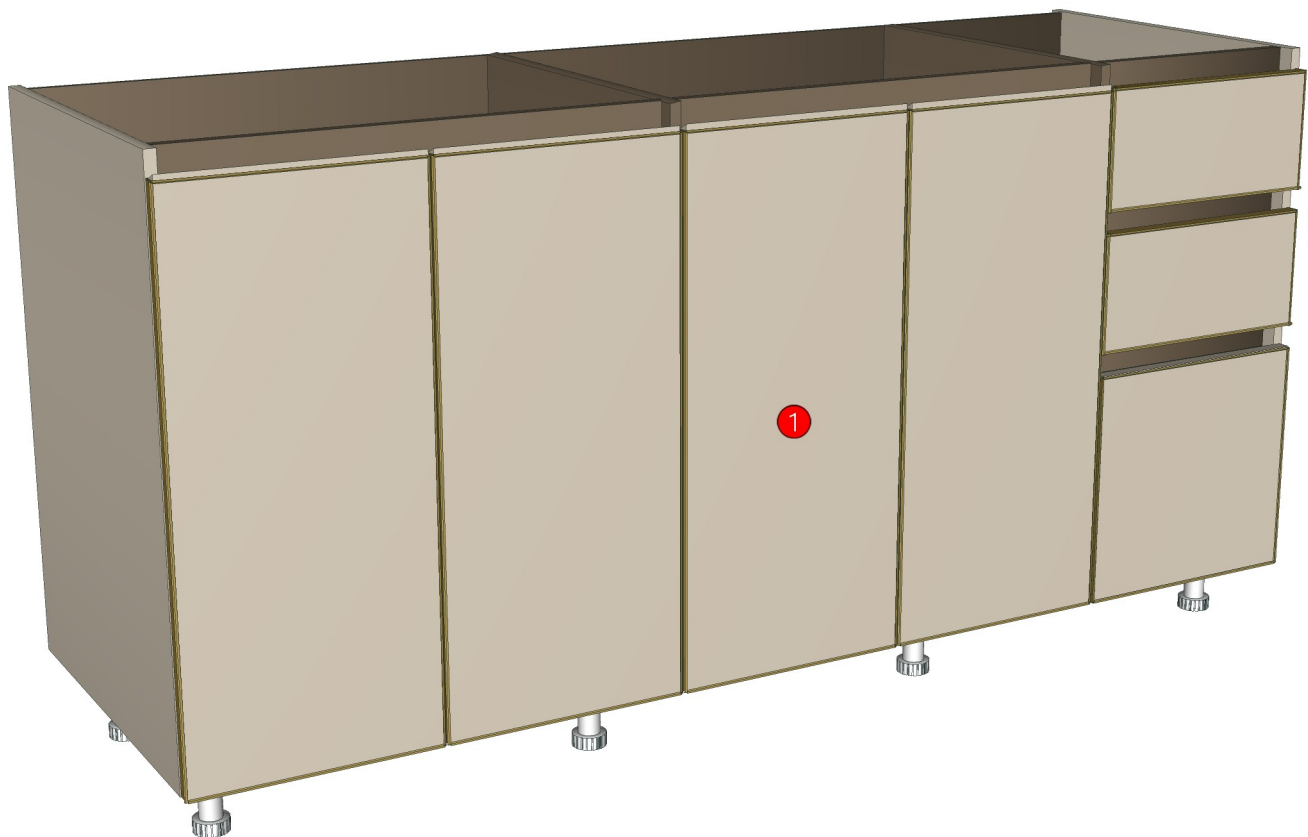
Work Report

Function

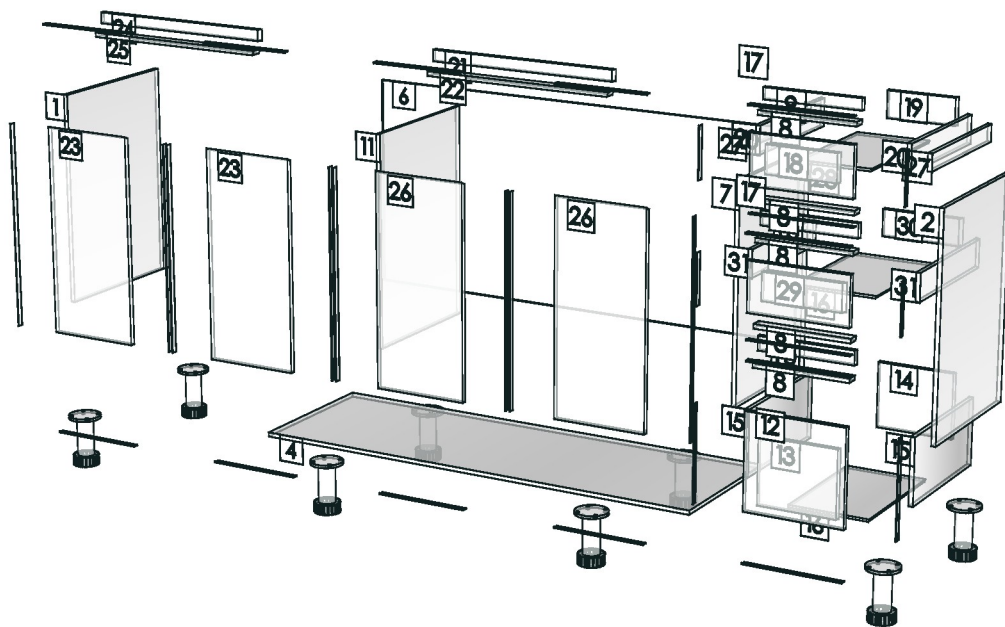
สินค้าตรงตัวอย่าง

ผู้ทบทวน P.SAWAI

05/02/2026



Model	-IVORY_DB1768L		
Creator		.BCP Name	INDEX_C3D_KITCHEN2
Reviewer		Order	I004789
Approves	P.SAWAI	Date	



Model	IVORY_DBO716		
Creator	PASATHORN	.BCP Name	INDEX_C3D_KITCHEN2
Reviewer		Order	I003083
Approves	P.SAWAI	Date	08/05/2024

IVORY_DBO716-716X593X901

Colour

05.109 ML.IVORY MD208(PEARL)_

20.36 ML MD216 (PEARL)_

-

-

K100L-160169656

K100R-160173917

K101L-160169671

K101R-160173932

K102L-160173947

Edge

01.475 0.6 MD208 IVORY3995 (11013M1) _

01.476 0.6 SAND STONE P7-500 M1 (73.216) _

-

-

-

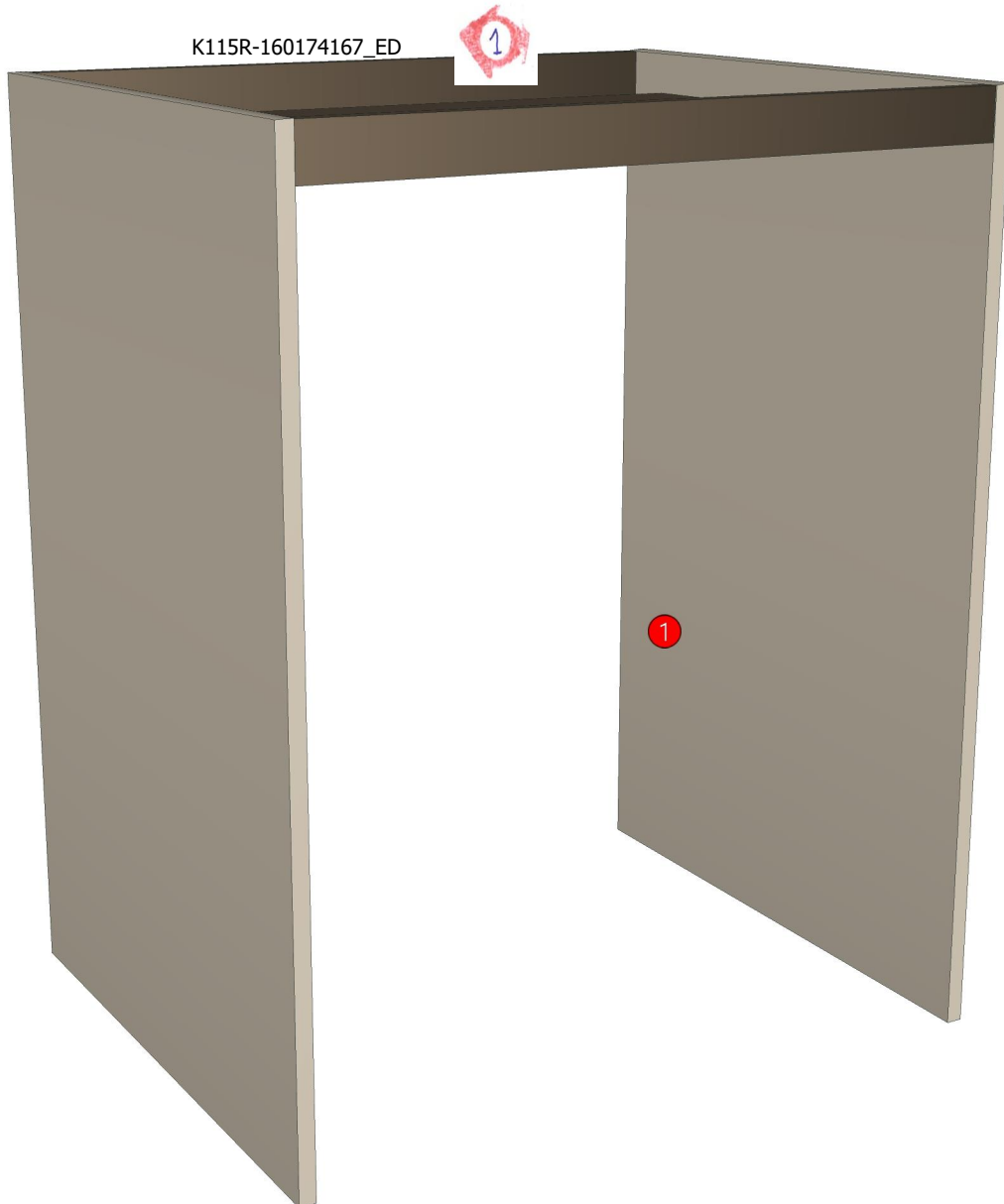
K119L-160174234_E

K120L-160174251_E

K121R-160174265_I

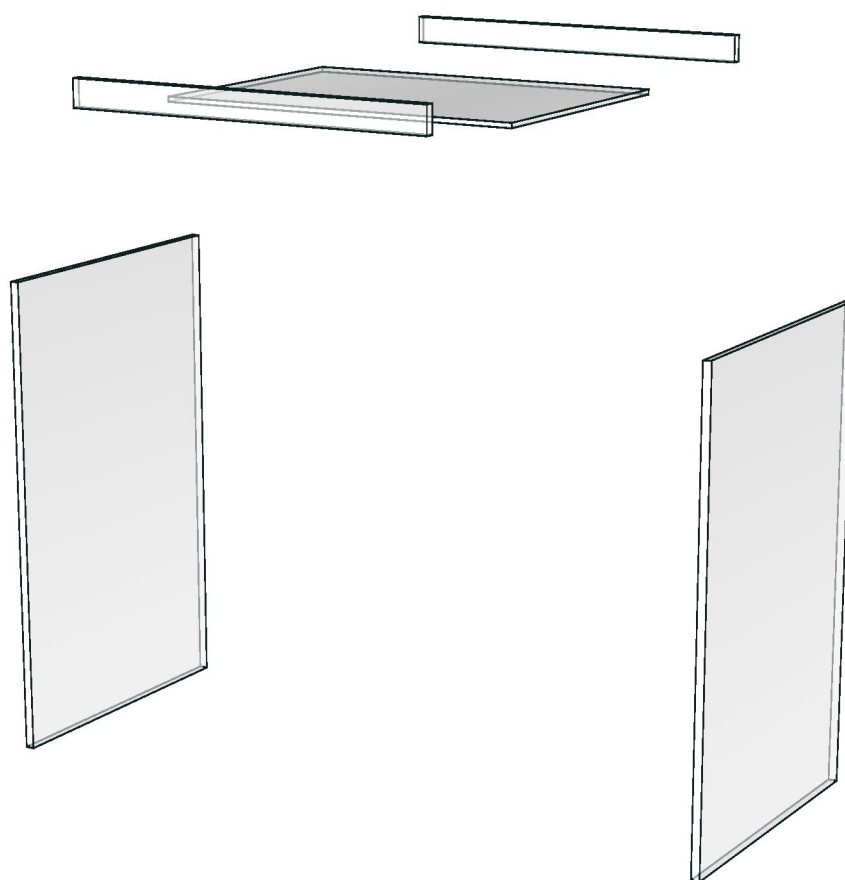
K105L-160174005

K115R-160174167_ED



R&D REVIEW	
<input checked="" type="checkbox"/>	DWG.Customer
<input checked="" type="checkbox"/>	Work Report
<input type="checkbox"/>	Function
<input type="checkbox"/>	สินค้าตรงตัวอย่าง
ผู้ทบทวน P.SAWAI	
25/8/2563	

Model	-IVORY_DBO716		
Creator		.BCP Name	INDEX_C3D_KITCHEN2
Reviewer		Order	I003083
Approves	P. SAWAI	Date	



Model	IVORY_DEPB		
Creator	PASATHORN	.BCP Name	INDEX_C3D_KITCHEN2
Reviewer		Order	I004460
Approves	<i>P.SAWAI</i>	Date	30/09/2025

IVORY_DEPB-16X593X901

Colour

05.109 ML.IVORY MD208(PEARL)_

-
-
-
- K100L-160169656
- K100R-160173917
- K101L-160169671
- K101R-160173932
- K102L-160173947
- K103R-160173964
- K104R-160173983
- K105L-160174005
- K106L-160174019
- K107R-160174032

Edge

01.475 0.6 MD208 IVORY3995 (11013M1) _

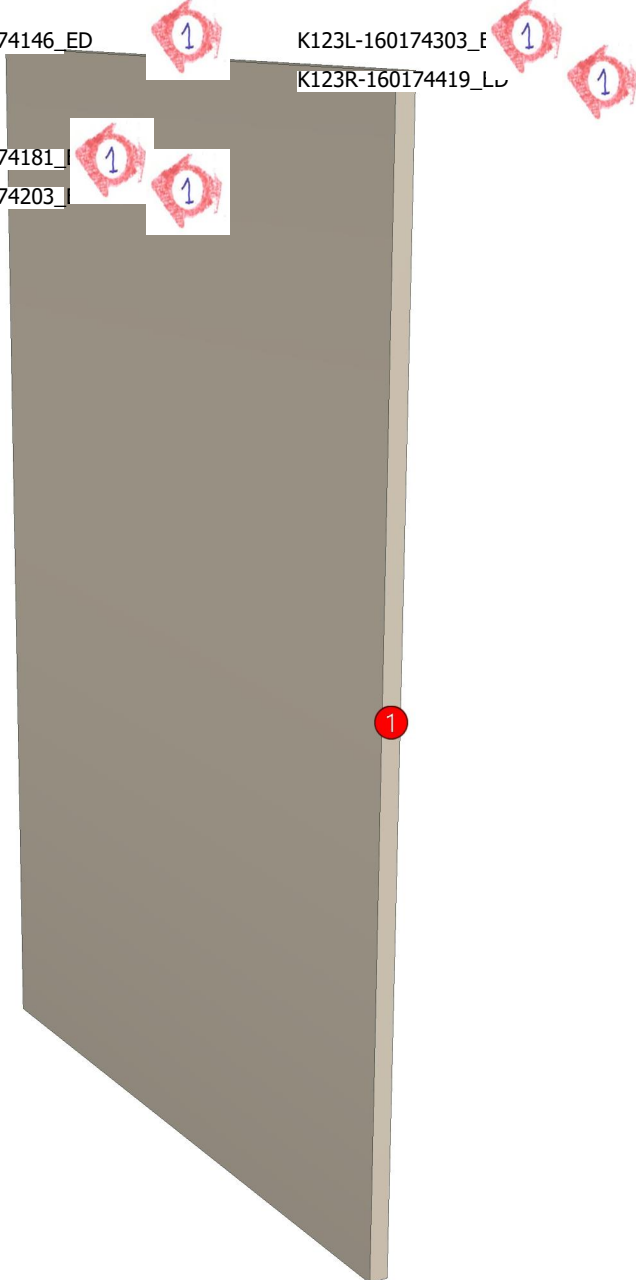
-
-
-
-
- K108L-160174046
- K109L-160174061
- K110L-160174078
-
- K118R-160174224_I
- K119L-160174234_E
-
- K113R-160174146_ED
- K123L-160174303_E
- K123R-160174419_L
- K116R-160174181_I
- K117R-160174203_I

R&D REVIEW

- DWG.Customer
- Work Report
- Function
- สินค้าตรงตัวอย่าง

ผู้ทบทวน P.SAWAI

25/9/25



Model	IVORY_DEPB		
Creator	PASATHORN	.BCP Name	INDEX_C3D_KITCHEN2
Reviewer		Order	I004460
Approves	P. SAWAI	Date	30/09/2025

No.	Article No.	Description	Mat	Dimension	Cutting Size	Typepology	Skin
0	IVORY_DEPB IVORY_DEPB-01	IVORY_DEPB DEP	PB-SP	16x901x593 16x593x901	16X591.8X899.8;L2:W2	181000_STR=05.109_EDG=MD208-.6	2

Model	IVORY_DFB		
Creator	PASATHORN	.BCP Name	INDEX_C3D_KITCHEN2
Reviewer		Order	I004727
Approves	P.SAWAI	Date	22/01/2026

IVORY_DFB-150X19X801

Colour

05.109 ML.IVORY MD208(PEARL)_

-
-
-
-

Edge

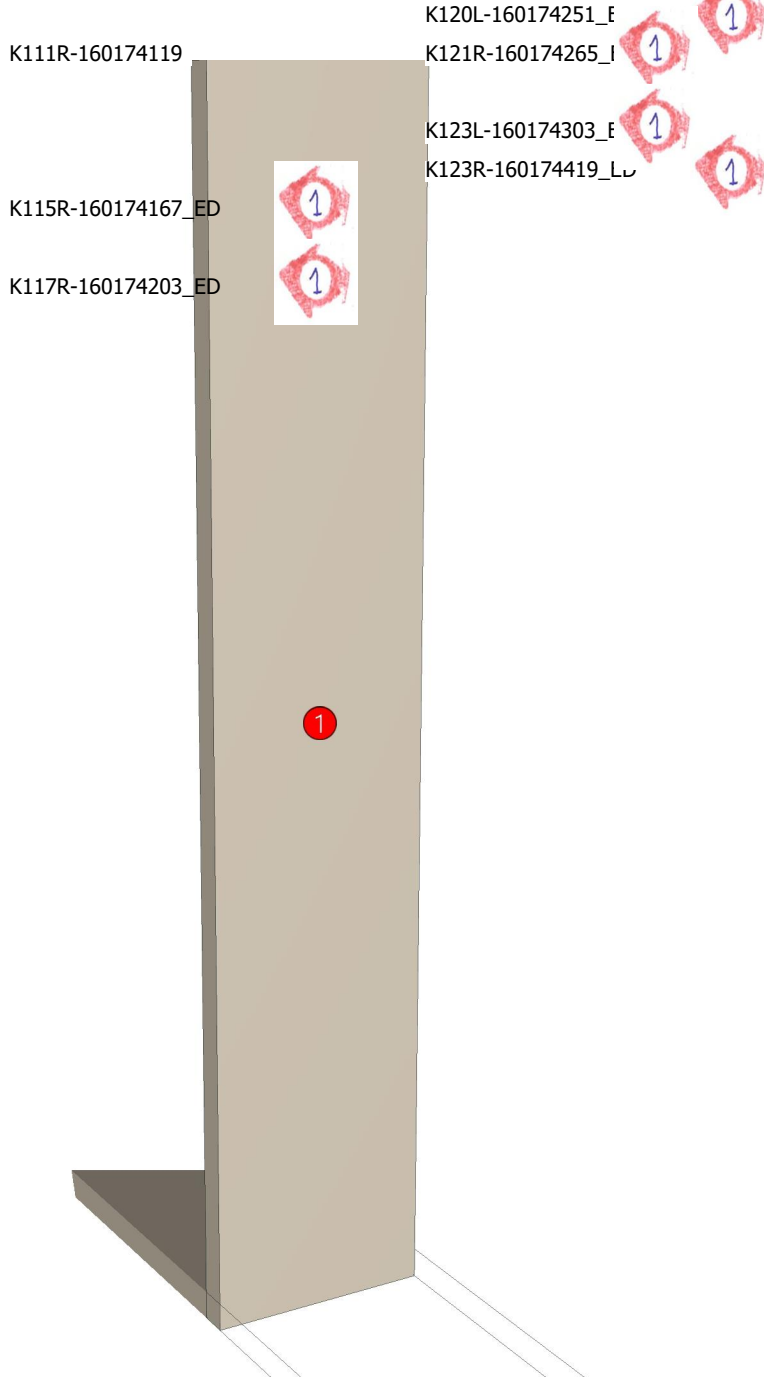
01.475 0.6 MD208 IVORY3995 (11013M1) _

-
-
-
-

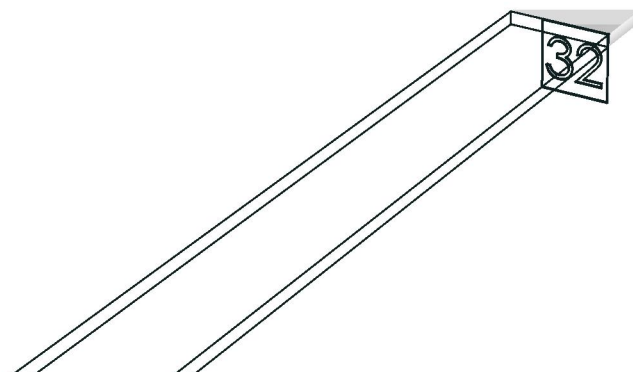
R&D REVIEW

- DWG.Customer
- Work Report
- Function
- สินค้าตรงตัวอย่าง

ผู้ทบทวน P.SAWAI
22/01/2026



Model	-IVORY_DFB		
Creator		.BCP Name	INDEX_C3D_KITCHEN2
Reviewer		Order	I004727
Approves	P-SAWAI	Date	



Model	IVORY_DF_CL1200		
Creator	PASATHORN	.BCP Name	INDEX_C3D_KITCHEN2
Reviewer		Order	I004720
Approves	P.SAWAI	Date	22/01/2026

IVORY_DF_CL1200-1200X16X180

Colour

20.36 ML MD216 (PEARL)_

-
-
-
-

K108L-160174046

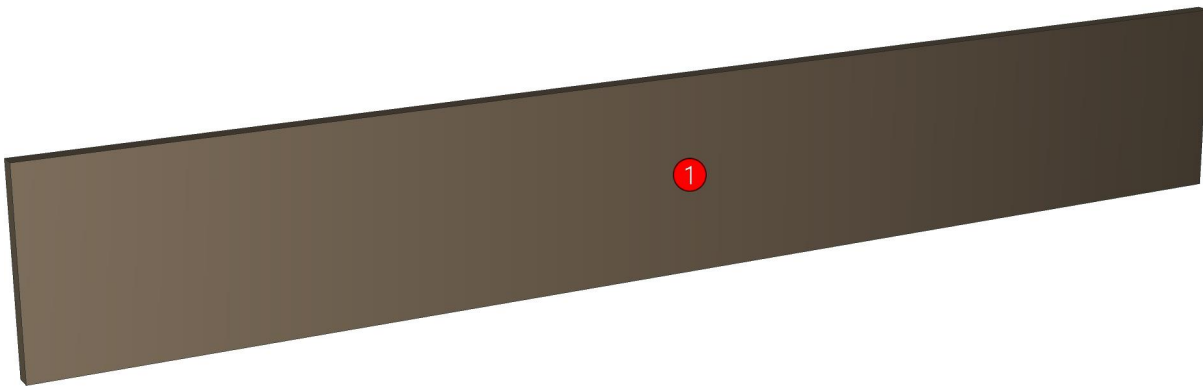
Edge

01.476 0.6 SAND STONE P7-500 M1 (73.216) _

-
-
-
-

K122R-160174284_ED

R&D REVIEW	
<input checked="" type="checkbox"/>	DWG.Customer
<input checked="" type="checkbox"/>	Work Report
<input type="checkbox"/>	Function
<input type="checkbox"/>	สินค้าตรงตัวอย่าง
ผู้ทบทวน <u>P.SAWAI</u>	
<u>22/01/2026</u>	



Model	IVORY_DF_CL1200		
Creator	PASATHORN	.BCP Name	INDEX_C3D_KITCHEN2
Reviewer		Order	I004720
Approves	P. SAWAI	Date	22/01/2026

No.	Article No.	Description	Mat	Dimension	Cutting Size	Typepology	Skin
0	IVORY_DF_CL1200 IVORY_DF_CL1200-01	IVORY_DF_CL1200 DFCL	PB-SP	1200x180x16 16x180x1200	16X179.4X1198.8;L1:W2	183000_STR=20.36_EDG=SAND STONE P7-500 M1-.6	2

Model	IVORY_DF_CL1350		
Creator	PASATHORN	.BCP Name	INDEX_C3D_KITCHEN2
Reviewer		Order	I004722
Approves	P.SAWAI	Date	22/01/2026

IVORY_DF_CL1350-1350X16X180

Colour

20.36 ML MD216 (PEARL)_

-
-
-
-

K108L-160174046

Edge

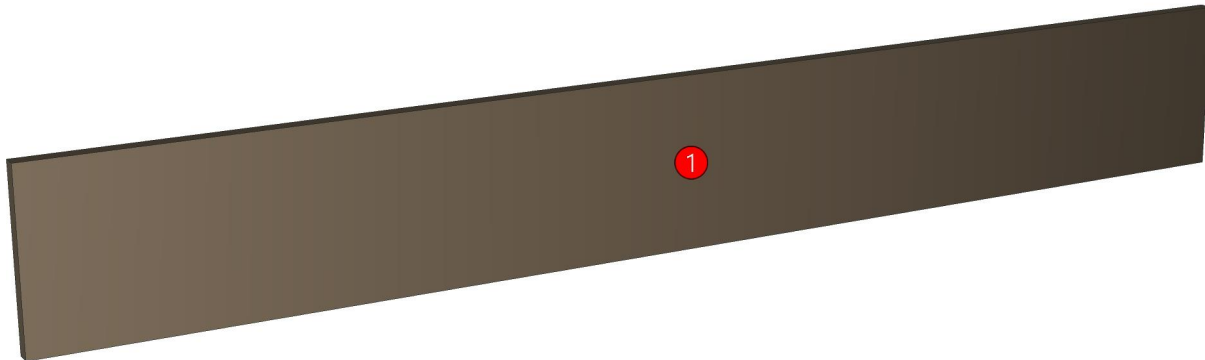
01.476 0.6 SAND STONE P7-500 M1 (73.216) _

-
-
-
-

K121R-160174265_I



R&D REVIEW	
<input checked="" type="checkbox"/>	DWG.Customer
<input checked="" type="checkbox"/>	Work Report
<input type="checkbox"/>	Function
<input type="checkbox"/>	สินค้าตรงตัวอย่าง
ผู้ทบทวน <u>P.SAWAI</u>	
<u>22/01/2026</u>	



Model	IVORY_DF_CL1350		
Creator	PASATHORN	.BCP Name	INDEX_C3D_KITCHEN2
Reviewer		Order	I004722
Approves	P. SAWAI	Date	22/01/2026

No.	Article No.	Description	Mat	Dimension	Cutting Size	Typepology	Skin
0	IVORY_DF_CL1350 IVORY_DF_CL1350-01	IVORY_DF_CL1350 DFCL	PB-SP	1350x180x16 16x180x1350	16X179.4X1349.4;L1:W1	183000_STR=20.36_EDG=SAND STONE P7-500 M1-.6	2

Model	IVORY_DF_CL300		
Creator	PASATHORN	.BCP Name	INDEX_C3D_KITCHEN2
Reviewer		Order	I003076
Approves	P.SAWAI	Date	08/05/2024

IVORY_DF_CL300-300X16X180

Colour

20.36 ML MD216 (PEARL)_

-
-
-
K100L-160169656
K100R-160173917
K101L-160169671
K101R-160173932
K102L-160173947
K103R-160173964
K104R-160173983
K105L-160174005
K106L-160174019
K107R-160174032

Edge

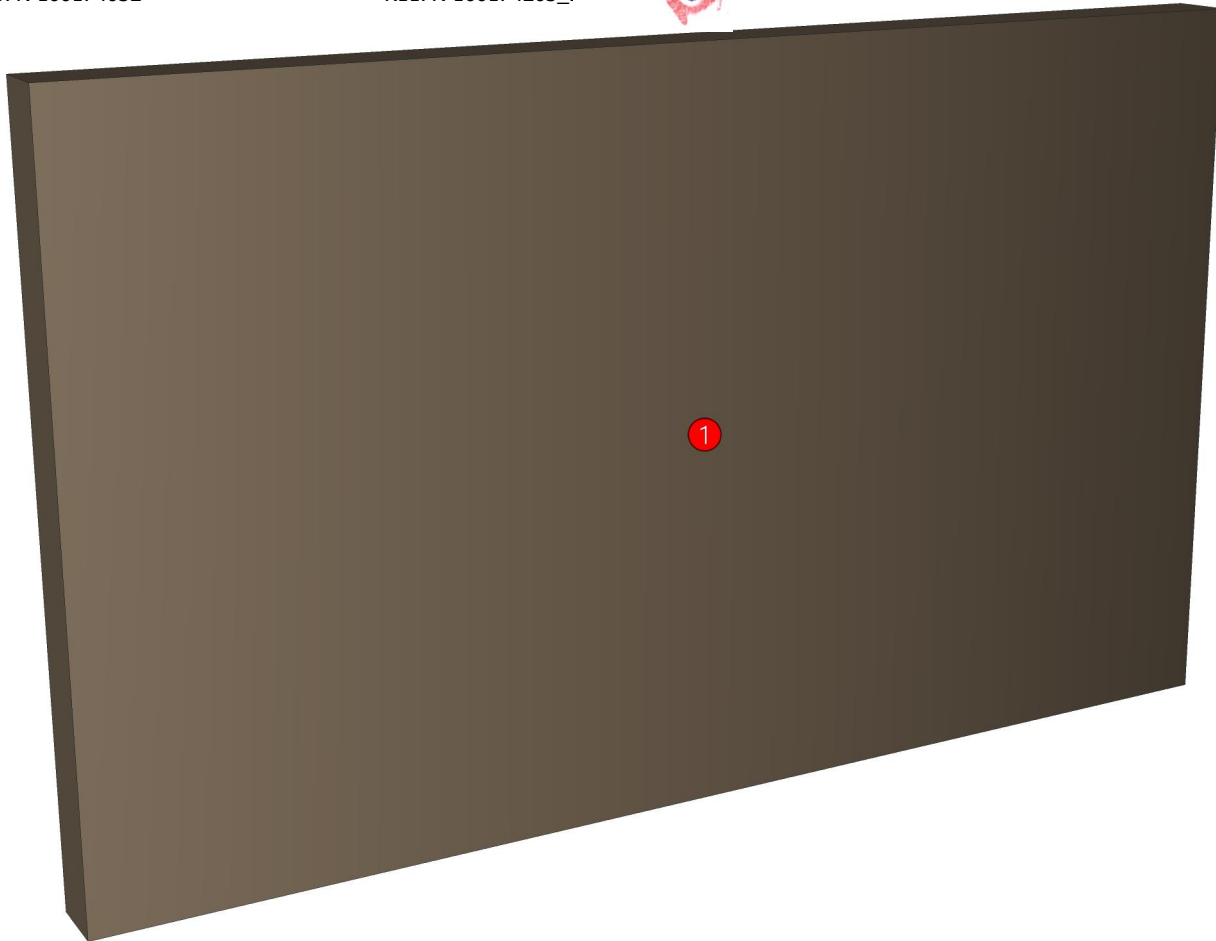
01.476 0.6 SAND STONE P7-500 M1 (73.216) _

-
-
K118R-160174224_I
K119L-160174234_E
-
K108L-160174046
K109L-160174061
K110L-160174078
K111R-160174119
K112R-160174137_I
K113R-160174146_I
K114R-160174156_I
K116R-160174181_I
K117R-160174203_I

R&D REVIEW

- DWG.Customer
- Work Report
- Function
- สินค้าตรงตัวอย่าง

ผู้ทบทวน P.SAWAI
25/8/2563



Model	IVORY_DF_CL300		
Creator	PASATHORN	.BCP Name	INDEX_C3D_KITCHEN2
Reviewer		Order	I003076
Approves	P. SAWAI	Date	08/05/2024

No.	Article No.	Description	Mat	Dimension	Cutting Size	Typepology	Skin
0	IVORY_DF_CL300 IVORY_DF_CL300-01	IVORY_DF_CL300 DF_CL-SP	PB-SP	300x180x16 16x180x300	16X179.4X299.4;L1:W1	183000_STR=20.36_EDG=SAND STONE P7-500 M1-.6	2

Model	IVORY_DL120S		
Creator	PASATHORN	.BCP Name	INDEX_C3D_KITCHEN2
Reviewer		Order	I004767
Approves	P-SAWAI	Date	29/01/2026

IVORY_DL120S-1200X300X625

Colour

05.109 ML.IVORY MD208(PEARL)_

20.36 ML MD216 (PEARL)_

-

-

-

K108L-160174046

Edge

01.475 0.6 MD208 IVORY3995 (11013M1) _

01.476 0.6 SAND STONE P7-500 M1 (73.216) _

-

-

-

R&D REVIEW

DWG.Customer

Work Report

Function

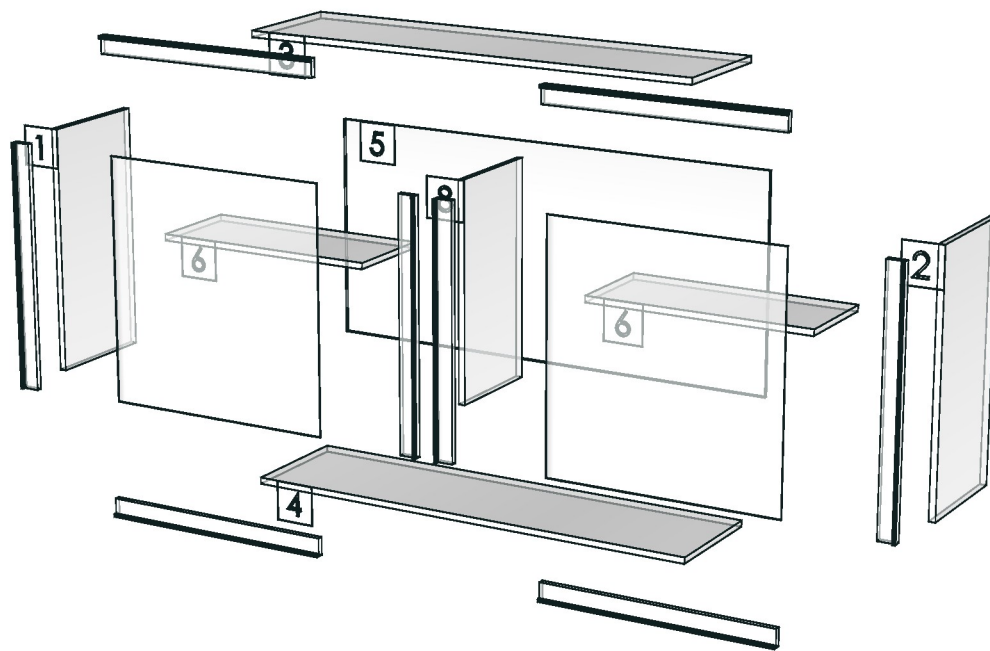
สินค้าตรงตัวอย่าง

ผู้ทบทวน P-SAWAI

29/01/2026



Model	-IVORY_DL120S		
Creator		.BCP Name	INDEX_C3D_KITCHEN2
Reviewer		Order	I004767
Approves	P-SAWAI	Date	



Model	IVORY_DL60HR		
Creator	PASATHORN	.BCP Name	INDEX_C3D_KITCHEN2
Reviewer		Order	I003096
Approves	<i>P.SAWAI</i>	Date	11/05/2024

IVORY_DL60HR-600X300X580

Colour

05.109 ML.IVORY MD208(PEARL)_
20.36 ML MD216 (PEARL)_

-
-
K100L-160169656
K101L-160169671

K102L-160173947
K103R-160173964

K105L-160174005
K106L-160174019

Edge

01.475 0.6 MD208 IVORY3995 (11013M1) _
01.476 0.6 SAND STONE P7-500 M1 (73.216) _

-
-
K108L-160174046
K109L-160174061
K110L-160174078

K119L-160174234
K120L-160174251

K123L-160174303

K114R-160174156

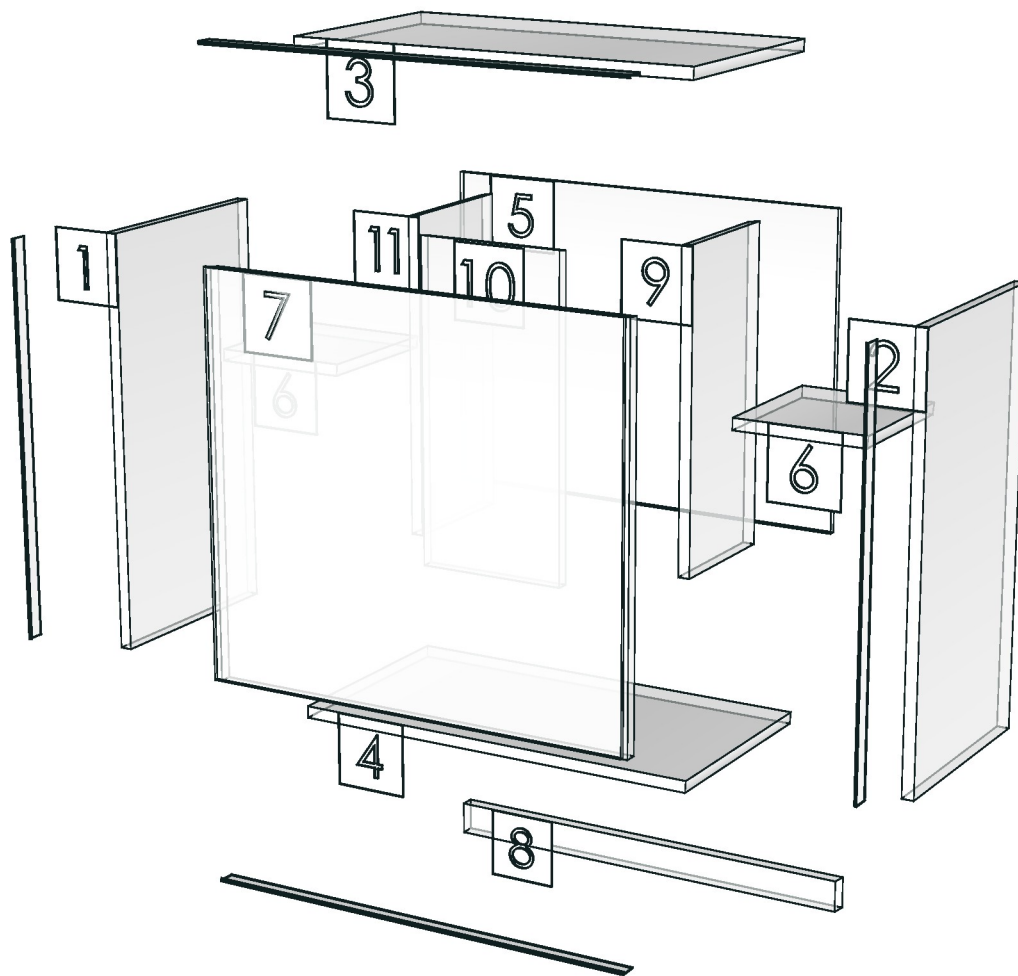
R&D REVIEW

- DWG.Customer
- Work Report
- Function
- สิ้นค้าตรงตัวอย่าง

ผู้ทบทวน P.SAWAI
11/05/2024



Model	-IVORY_DL60HR		
Creator		.BCP Name	INDEX_C3D_KITCHEN2
Reviewer		Order	I003096
Approves	P.SAWAI	Date	



Model	IVORY_DUT1800		
Creator	PASATHORN	.BCP Name	INDEX_C3D_KITCHEN2
Reviewer		Order	I003070
Approves	P.SAWAI	Date	07/05/2024

IVORY_DUT1800-1800X60X12

Colour

05.01 ML WHITE VM1012 18/18_

-

-

-

K100L-160169656

K108L-160174046

K100R-160173917

K101L-160169671

K120L-160174251_ED

K101R-160173932

K122R-160174284_ED

K103R-160173964

Edge

01.24 0.6 WHITE _

-

-

-

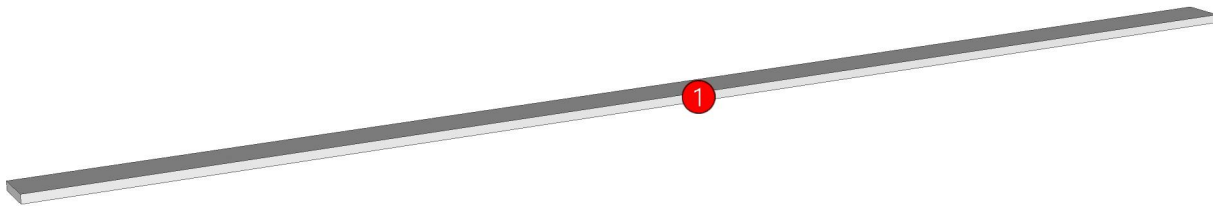
-

R&D REVIEW

- DWG.Customer
- Work Report
- Function
- สินค้าตรงตัวอย่าง

ผู้ทบทวน P.SAWAI

25/8/2563



Model	IVORY_DUT1800		
Creator	PASATHORN	.BCP Name	INDEX_C3D_KITCHEN2
Reviewer		Order	I003070
Approves	P. SAWAI	Date	07/05/2024

No.	Article No.	Description	Mat	Dimension	Cutting Size	Typepology	Skin
0	IVORY_DUT1800 IVORY_DUT1800-01	IVORY_DUT1800 DUT	PB-SP	1800x12x60 12x60x1800	12X58.8X1800;L2:W0	182000_STR=05.01_EDG=WHITE-.6	2

Model	IVORY_DUT500		
Creator	PASATHORN	.BCP Name	INDEX_C3D_KITCHEN2
Reviewer		Order	I003067
Approves	P.SAWAI	Date	07/05/2024

IVORY_DUT500-500X60X12

Colour

05.01 ML WHITE VM1012 18/18_

-
-
-
- K100L-160169656
- K100R-160173917
- K101L-160169671
- K101R-160173932
- K102L-160173947
- K103R-160173964
- K104R-160173983
- K105L-160174005
- K106L-160174019
- K107R-160174032

Edge

01.24 0.6 WHITE _

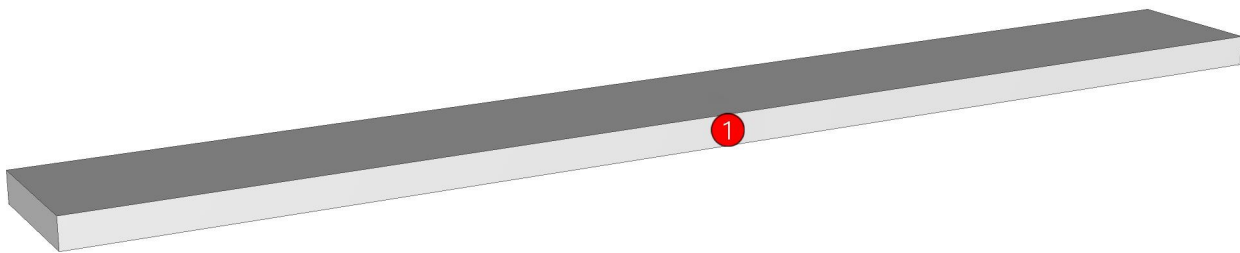
-
-
-
-
- K108L-160174046
- K109L-160174061
- K110L-160174078
- K111R-160174119
- K112R-160174137_I
- K113R-160174146_I
- K114R-160174156_I
- K115R-160174167_I
- K116R-160174181_I
- K117R-160174203_I
- K118R-160174224_I
- K119L-160174234_E
- K120L-160174251_E
- K121R-160174265_I
- K122R-160174284_I
- K123L-160174303_E
- K123R-160174419_L

R&D REVIEW

- DWG.Customer
- Work Report
- Function
- สินค้าตรงตัวอย่าง

ผู้ทบทวน P.SAWAI

25/8/24



Model	IVORY_DUT500		
Creator	PASATHORN	.BCP Name	INDEX_C3D_KITCHEN2
Reviewer		Order	I003067
Approves	P. SAWAI	Date	07/05/2024

No.	Article No.	Description	Mat	Dimension	Cutting Size	Typepology	Skin
0	IVORY_DUT500 IVORY_DUT500-01	IVORY_DUT500 DUT-SP	PB-SP	500x12x60 12x60x500	12X58.8X500;L2:W0	182000_STR=05.01_EDG=WHITE-.6	2

Model	IVORY_DUT800		
Creator	PASATHORN	.BCP Name	INDEX_C3D_KITCHEN2
Reviewer		Order	I004699
Approves	P.SAWAI	Date	22/01/2026

IVORY_DUT800-800X60X12

Colour

05.01 ML WHITE VM1012 18/18_

-
-
-
-

Edge

01.24 0.6 WHITE _

-
-
-
-

K108L-160174046

K109L-160174061

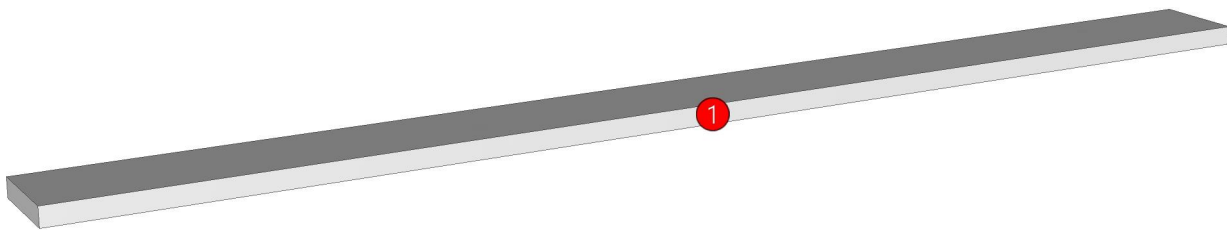
K119L-160174234_E

K102L-160173947

K112R-160174137_I

K113R-160174146_I

R&D REVIEW	
<input checked="" type="checkbox"/>	DWG.Customer
<input checked="" type="checkbox"/>	Work Report
<input type="checkbox"/>	Function
<input type="checkbox"/>	สินค้าตรงตัวอย่าง
ผู้ทบทวน <u>P.SAWAI</u>	
<u>22/01/2026</u>	



Model	IVORY_DUT800		
Creator	PASATHORN	.BCP Name	INDEX_C3D_KITCHEN2
Reviewer		Order	I004699
Approves	P. SAWAI	Date	22/01/2026

No.	Article No.	Description	Mat	Dimension	Cutting Size	Typepology	Skin
0	IVORY_DUT800 IVORY_DUT800-01	IVORY_DUT800 DUT-SP	PB-SP	800x12x60 12x60x800	12X58.8X800;L2:W0	182000_STR=05.01_EDG=WHITE-.6	2

Model	IVORY_D_PLT1768		
Creator	PASATHORN	.BCP Name	INDEX_C3D_KITCHEN2
Reviewer		Order	I004713
Approves		Date	22/01/2026

IVORY_D_PLT1768-1768X9X100

Colour

20.36 ML MD216 (PEARL)_

-
-
-
-

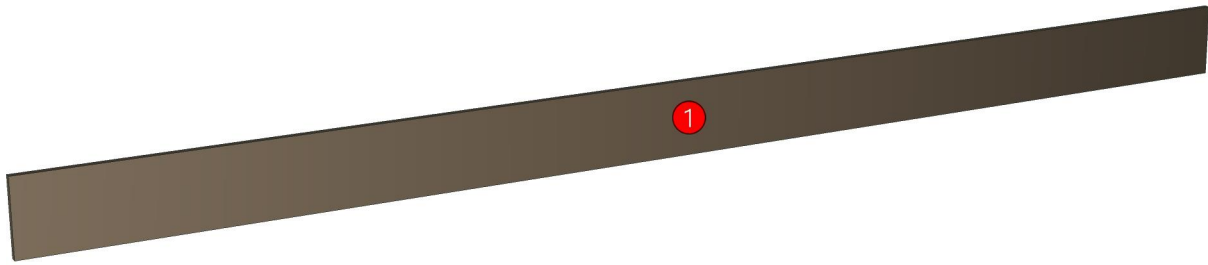
K108L-160174046

Edge

01.476 0.6 SAND STONE P7-500 M1 (73.216) _

-
-
-
-

R&D REVIEW	
<input checked="" type="checkbox"/>	DWG.Customer
<input checked="" type="checkbox"/>	Work Report
<input type="checkbox"/>	Function
<input type="checkbox"/>	สินค้าตรงตัวอย่าง
ผู้ทบทวน _____	



Model	IVORY_D_PLT1768		
Creator	PASATHORN	.BCP Name	INDEX_C3D_KITCHEN2
Reviewer		Order	I004713
Approves		Date	22/01/2026

No.	Article No.	Description	Mat	Dimension	Cutting Size	Typepology	Skin
0	IVORY_D_PLT1768	IVORY_D_PLT1768		1768x100x9			
	IVORY_D_PLT1768-01	DPLINT-SP	PB-SP	9x100x1768	9X98.8X1766.8;L2:W2	183000_STR=20.36_EDG=SAND STONE P7-500 M1-.6	2

Model	IVORY_DLOMV65		
Creator	PASATHORN	.BCP Name	INDEX_C3D_KITCHEN2
Reviewer		Order	I004749
Approves		Date	27/01/2026

IVORY_DLOMV65-650X380X625

Colour

05.109 ML.IVORY MD208(PEARL)_

20.36 ML MD216 (PEARL)_

05.01 ML WHITE VM1012 18/18_

-

-

K108L-160174046

Edge

01.475 0.6 MD208 IVORY3995 (11013M1) _

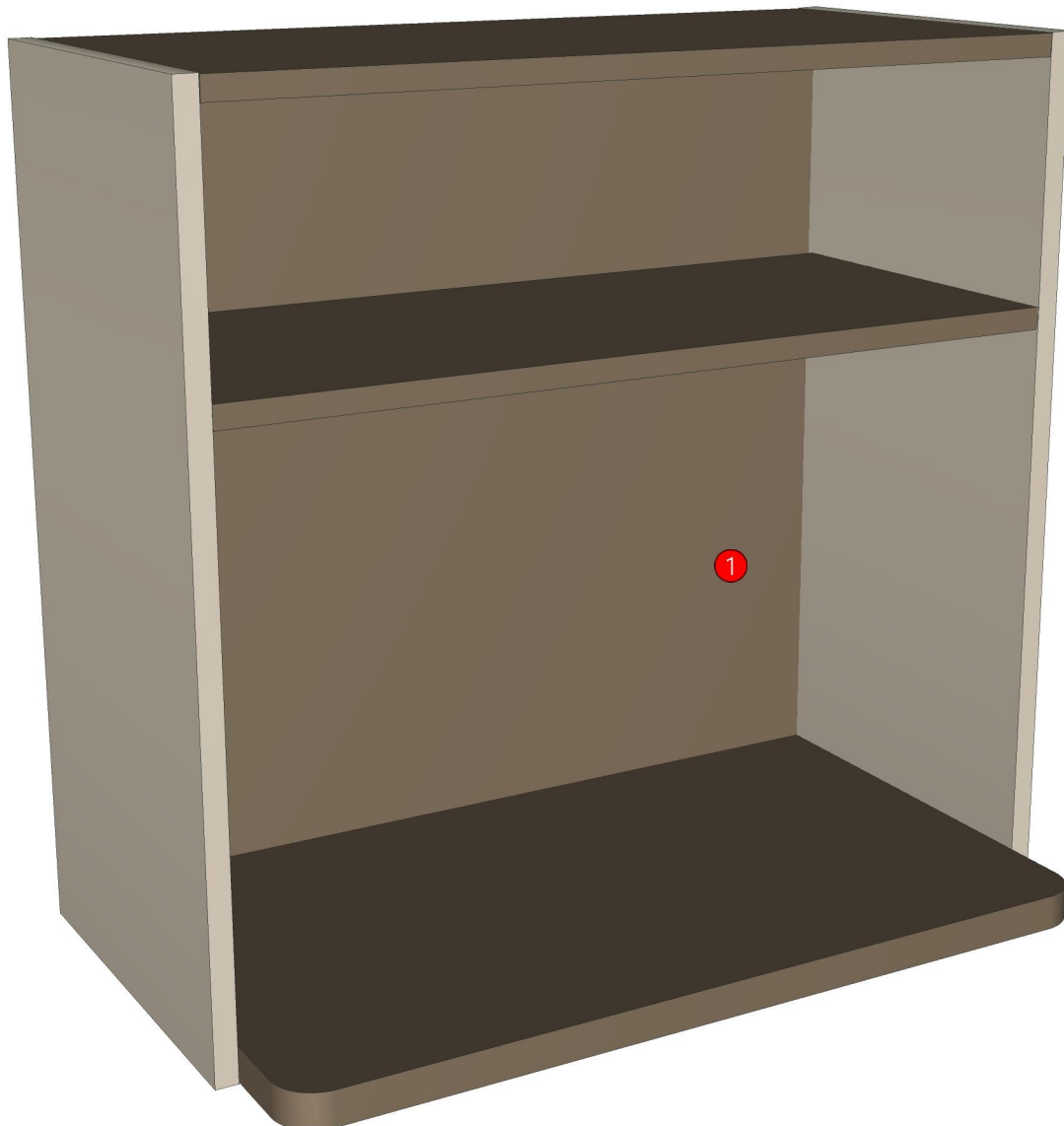
01.476 0.6 SAND STONE P7-500 M1 (73.216) _

-

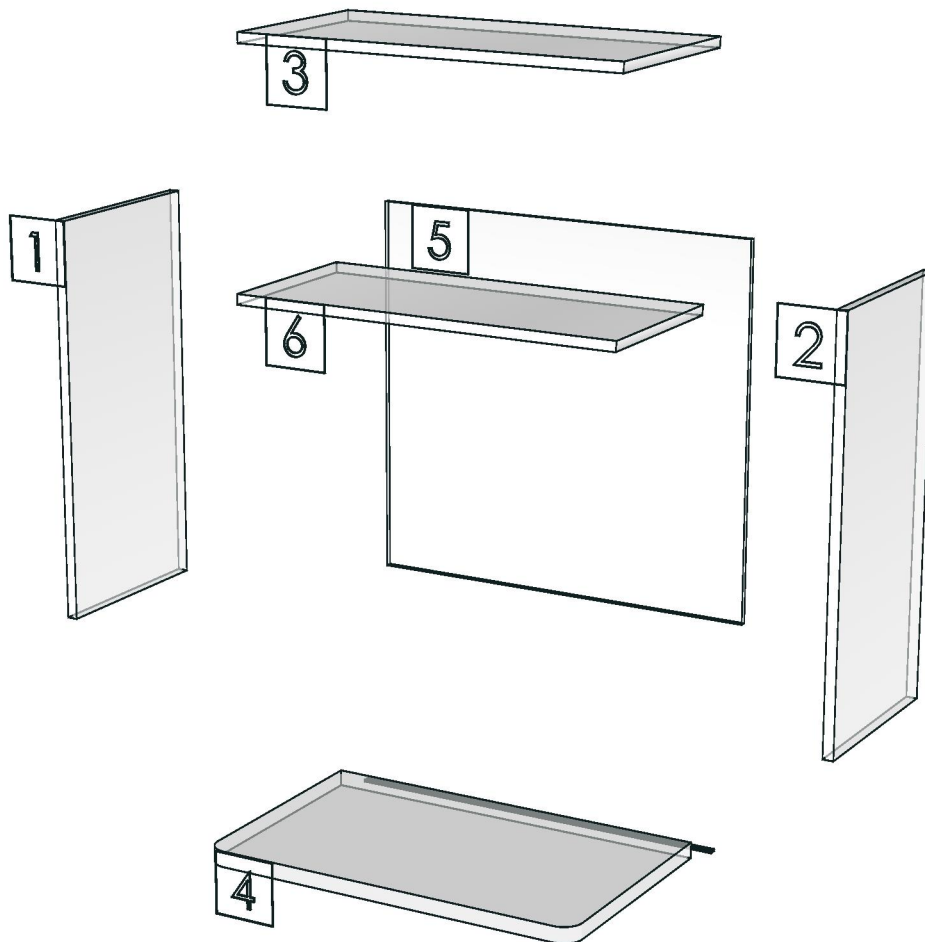
-

-

R&D REVIEW	
<input checked="" type="checkbox"/>	DWG.Customer
<input checked="" type="checkbox"/>	Work Report
<input type="checkbox"/>	Function
<input type="checkbox"/>	สินค้าตรงตัวอย่าง
ผู้ทบทวน _____	



Model	-IVORY_DLOMV65		
Creator		.BCP Name	INDEX_C3D_KITCHEN2
Reviewer		Order	I004749
Approves		Date	



Model	IVORY_LED1067R		
Creator	PASATHORN	.BCP Name	INDEX_C3D_KITCHEN2
Reviewer		Order	I004744
Approves	P.SAWAI	Date	27/01/2026

IVORY_LED1067R-1067X299X49

Colour

20.36 ML MD216 (PEARL)_

-
-
-
-

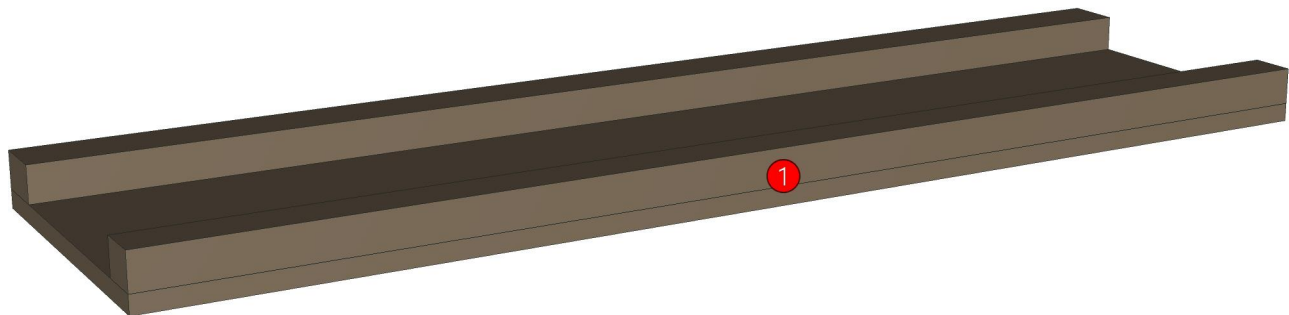
Edge

01.476 0.6 SAND STONE P7-500 M1 (73.216) _

-
-
-
-

R&D REVIEW	
<input checked="" type="checkbox"/>	DWG.Customer
<input checked="" type="checkbox"/>	Work Report
<input type="checkbox"/>	Function
<input type="checkbox"/>	สินค้าตรงตัวอย่าง
ผู้ทบทวน <u>P.SAWAI</u>	
<u>27/01/2026</u>	

K104R-160173983



Model	IVORY_LED1067R		
Creator	PASATHORN	.BCP Name	INDEX_C3D_KITCHEN2
Reviewer		Order	I004744
Approves	<i>P. SAWAI</i>	Date	27/01/2026

No.	Article No.	Description	Mat	Dimension	Cutting Size	Typepology	Skin
0	IVORY_LED1067R	IVORY_LED1067R		1067x49x299			
	IVORY_LED1067R-01	LEDBOX-SP	PB-SP	48x299x1067	L2:W0	50000_STR=20.36_EDG=SAND STONE P7-500 M1-.6	2
	IVORY_LED1067R-01A	FLOOR BOX	PB-SP	16x299x1067	16X299X1067;NO EDGE	182000_STR=20.36_EDG=-	2
	IVORY_LED1067R-01B	Front SUPPORT BOX	PB-ST	32x40x1067	32X40X1067;NO EDGE	182001_STR=20.36_EDG=-	2
	IVORY_LED1067R-01C	BACK SUPPORT BOX	PB-ST	32x50x1067	32X50X1067;NO EDGE	182002_STR=20.36_EDG=-	2