

Model	IVORY_DBO911L		
Creator	PASATHORN	.BCP Name	INDEX_C3D_KITCHEN2
Reviewer		Order	I004777
Approves	P.SAWAI	Date	03/02/2026

IVORY_DBO911L-911X593X901

Colour

05.109 ML.IVORY MD208(PEARL)_

20.36 ML MD216 (PEARL)_

-
-
-

Edge

01.475 0.6 MD208 IVORY3995 (11013M1) _

01.476 0.6 SAND STONE P7-500 M1 (73.216) _

-
-
-

R&D REVIEW

DWG.Customer

Work Report

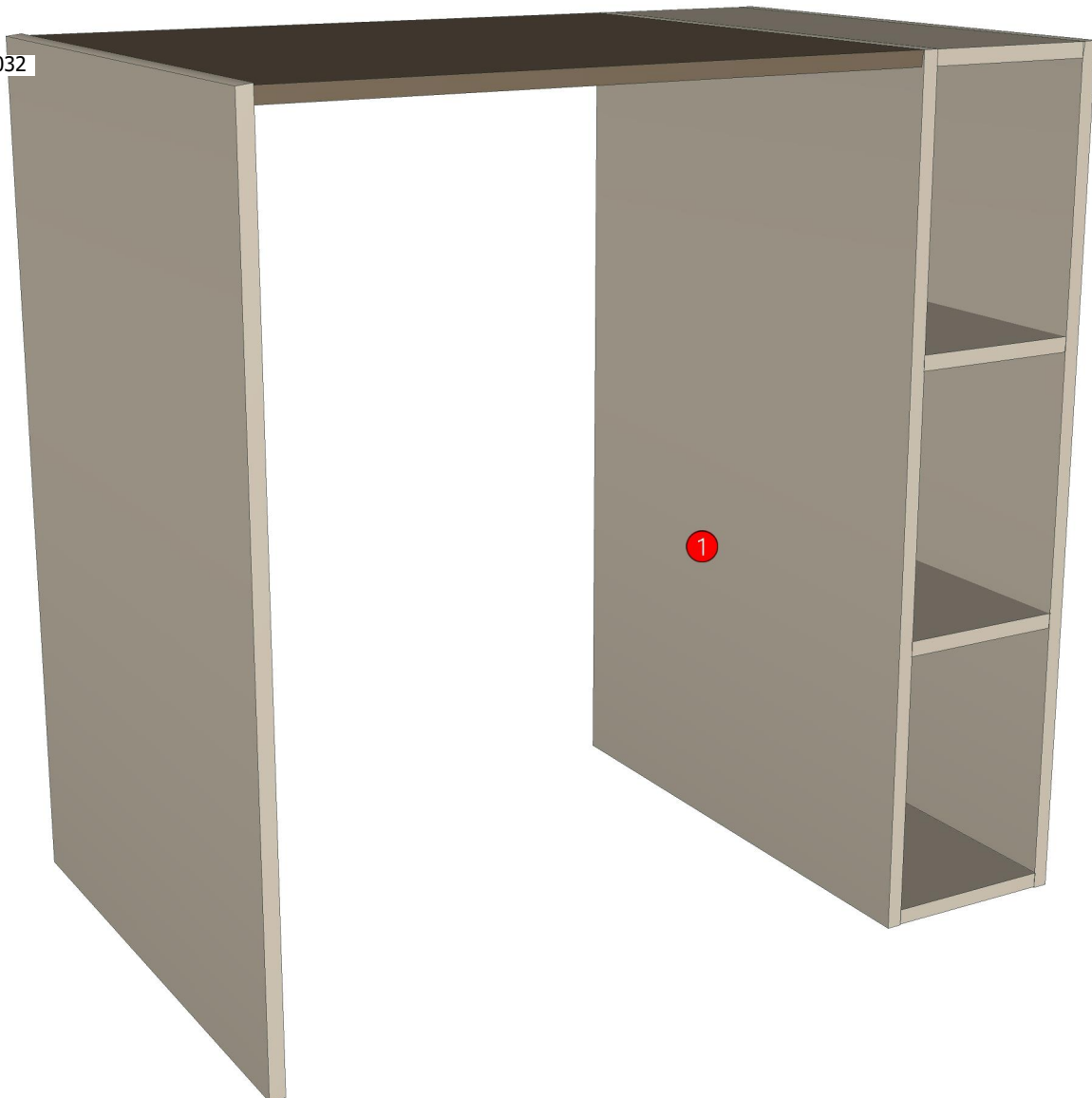
Function

สินค้าตรงตัวอย่าง

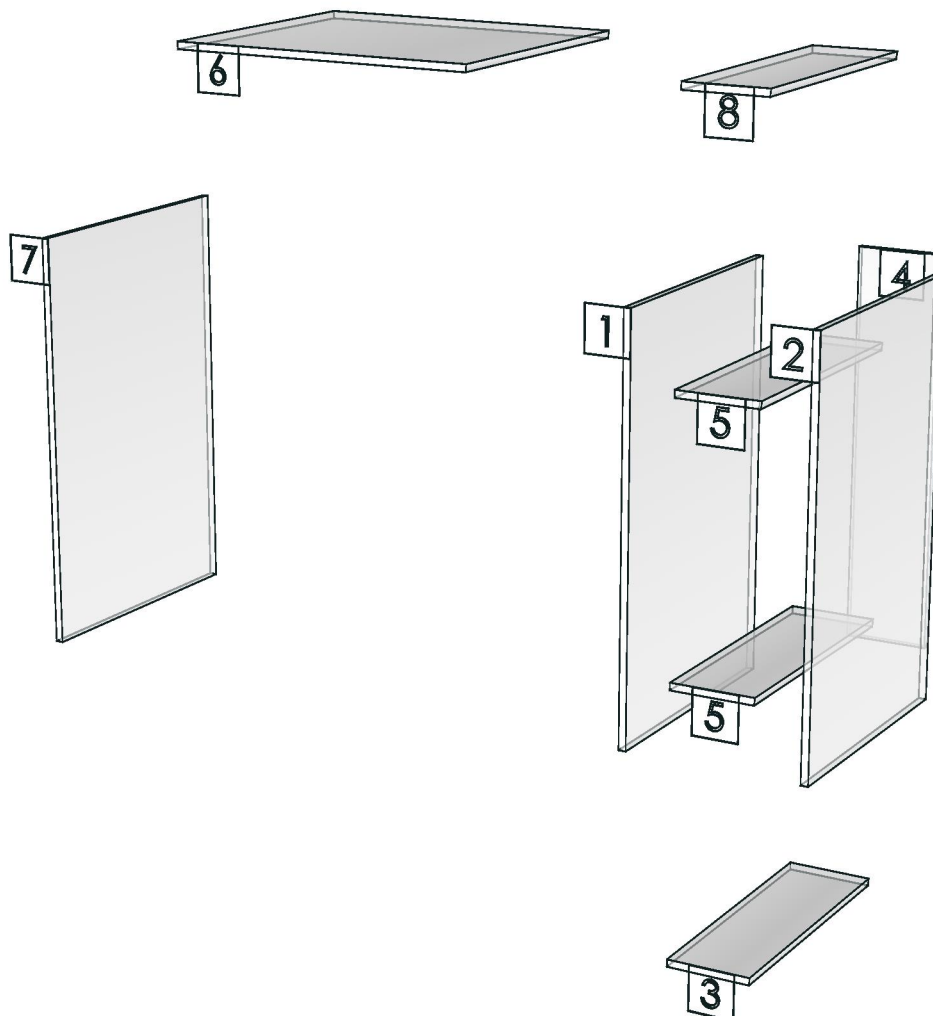
ผู้ทบทวน P.SAWAI

25/2/2026

K107R-160174032



Model	-IVORY_DBO911L		
Creator		.BCP Name	INDEX_C3D_KITCHEN2
Reviewer		Order	I004777
Approves	P. SAWAI	Date	



Model	IVORY_DBSC10055R		
Creator	PASATHORN	.BCP Name	INDEX_C3D_KITCHEN2
Reviewer		Order	I004785
Approves	P.SAWAI	Date	05/02/2026

IVORY_DBSC10055R-1000X570X901

Colour

05.109 ML.IVORY MD208(PEARL)_

20.36 ML MD216 (PEARL)_

-

-

-

Edge

01.475 0.6 MD208 IVORY3995 (11013M1) _

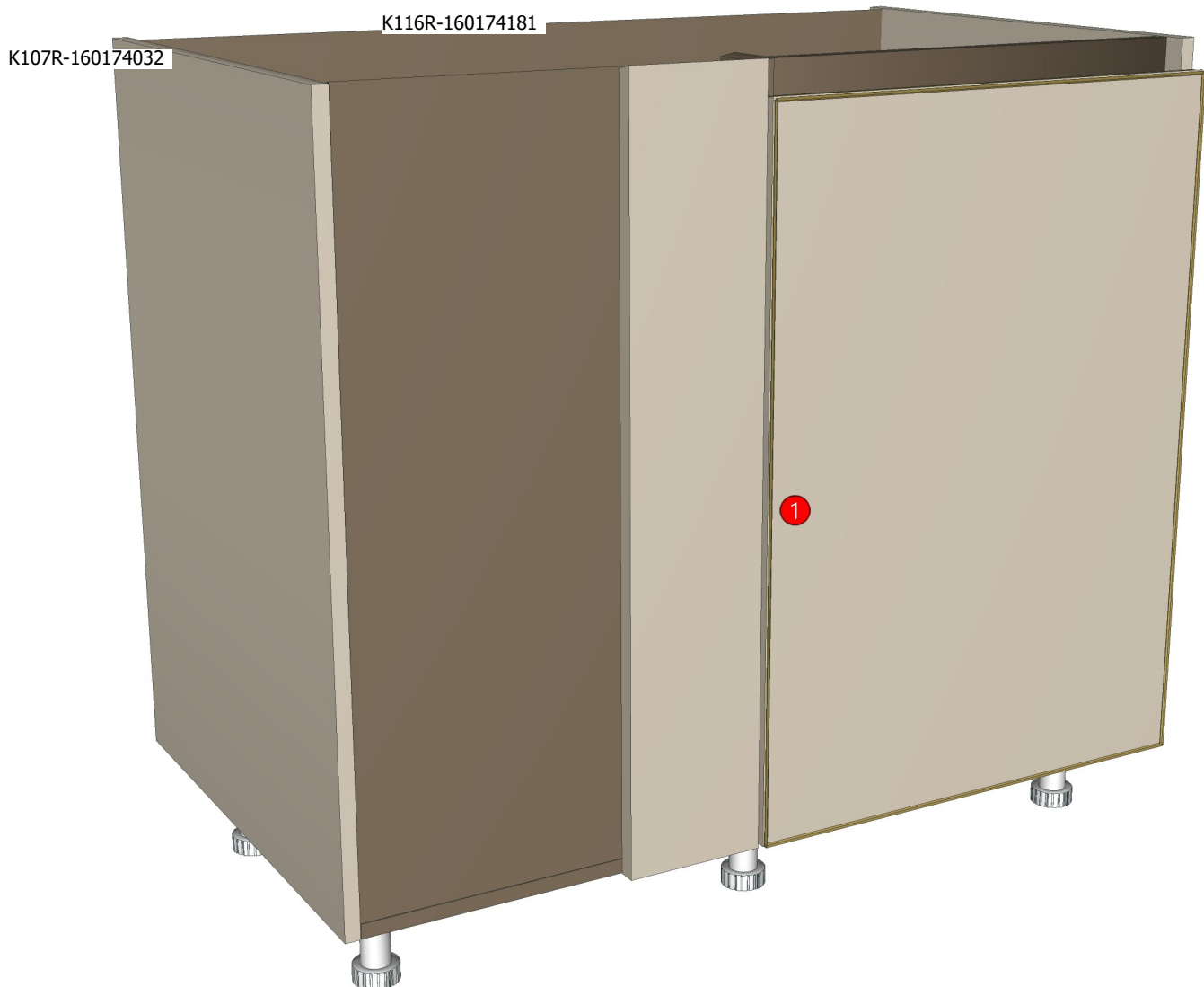
01.476 0.6 SAND STONE P7-500 M1 (73.216) _

-

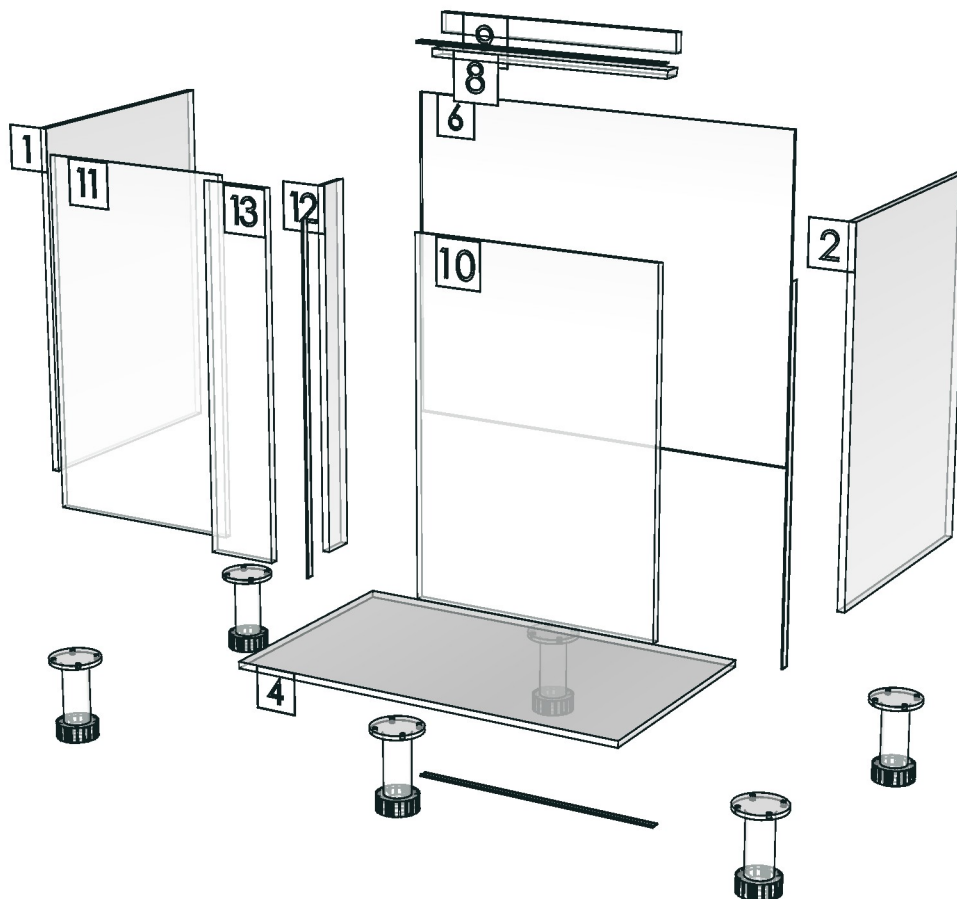
-

-

R&D REVIEW	
<input checked="" type="checkbox"/>	DWG.Customer
<input checked="" type="checkbox"/>	Work Report
<input type="checkbox"/>	Function
<input type="checkbox"/>	สินค้าตรงตัวอย่าง
ผู้ทบทวน <u>P.SAWAI</u>	
<u>05/02/2026</u>	



Model	-IVORY_DBSC10055R		
Creator		.BCP Name	INDEX_C3D_KITCHEN2
Reviewer		Order	I004785
Approves	P.SAWAI	Date	



Model	IVORY_DEPB		
Creator	PASATHORN	.BCP Name	INDEX_C3D_KITCHEN2
Reviewer		Order	I004460
Approves	<i>P.SAWAI</i>	Date	30/09/2025

IVORY_DEPB-16X593X901

Colour

05.109 ML.IVORY MD208(PEARL)_

-
-
-
- K100L-160169656
- K100R-160173917
- K101L-160169671
- K101R-160173932
- K102L-160173947
- K103R-160173964
- K104R-160173983
- K105L-160174005
- K106L-160174019
- K107R-160174032

Edge

01.475 0.6 MD208 IVORY3995 (11013M1) _

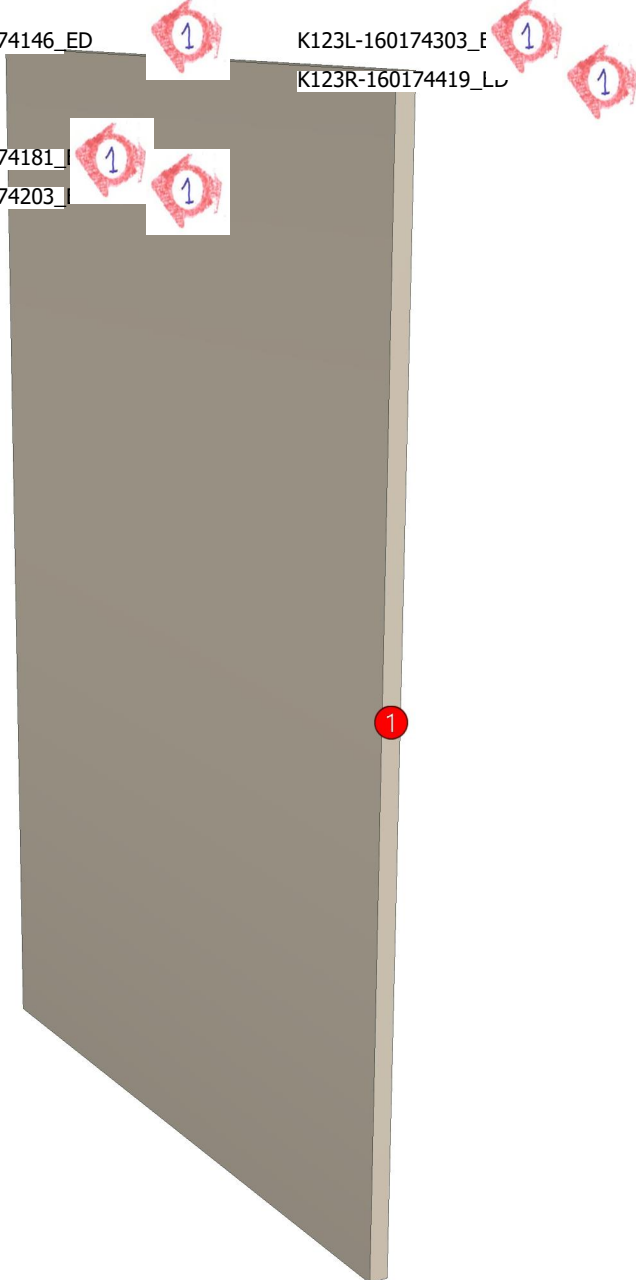
-
-
-
-
- K108L-160174046
- K109L-160174061
- K110L-160174078
-
- K118R-160174224_I
- K119L-160174234_E
-
- K113R-160174146_ED
- K123L-160174303_E
- K123R-160174419_L
- K116R-160174181_I
- K117R-160174203_I

R&D REVIEW

- DWG.Customer
- Work Report
- Function
- สินค้าตรงตัวอย่าง

ผู้ทบทวน P.SAWAI

25/9/25



Model	IVORY_DEPB		
Creator	PASATHORN	.BCP Name	INDEX_C3D_KITCHEN2
Reviewer		Order	I004460
Approves	P. SAWAI	Date	30/09/2025

No.	Article No.	Description	Mat	Dimension	Cutting Size	Typepology	Skin
0	IVORY_DEPB IVORY_DEPB-01	IVORY_DEPB DEP	PB-SP	16x901x593 16x593x901	16X591.8X899.8;L2:W2	181000_STR=05.109_EDG=MD208-.6	2

Model	IVORY_DFL		
Creator	PASATHORN	.BCP Name	INDEX_C3D_KITCHEN2
Reviewer		Order	I003081
Approves	<i>P.SAWAI</i>	Date	08/05/2024

IVORY_DFL-150X19X625

Colour

05.109 ML.IVORY MD208(PEARL)_

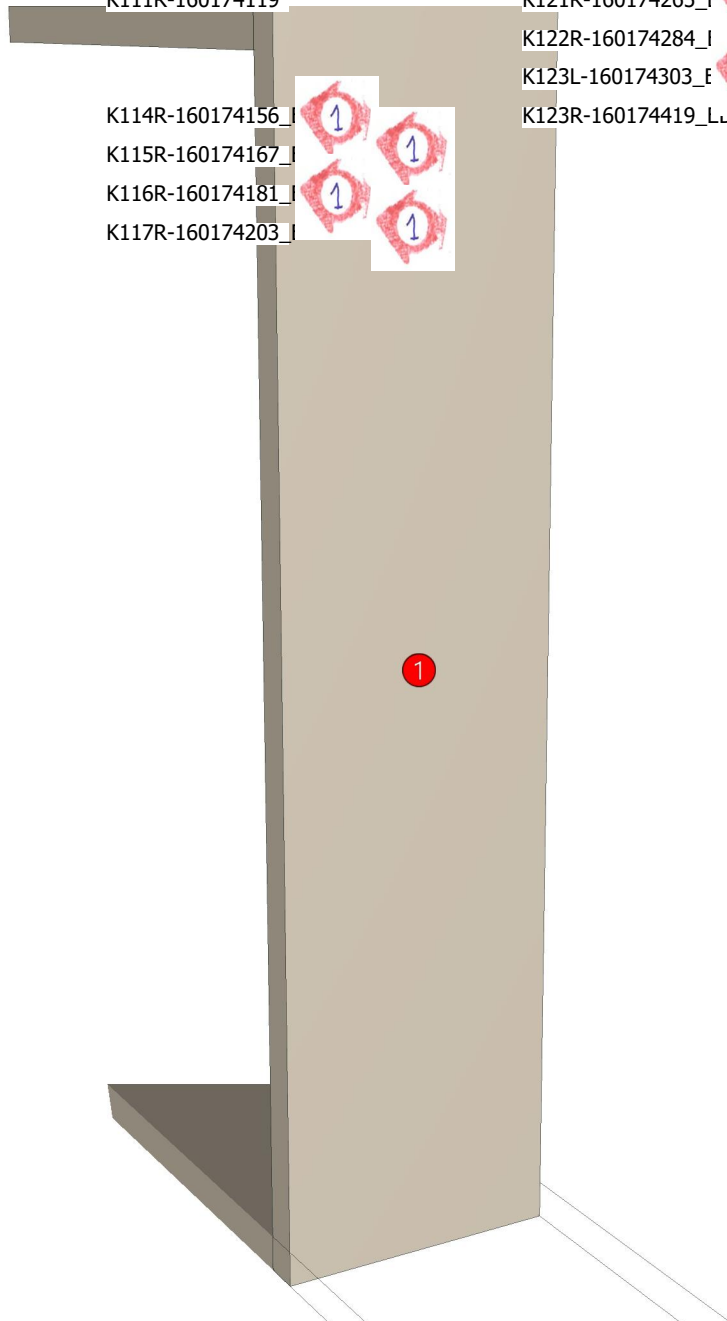
-
-
-
- K100L-160169656
- K100R-160173917
-
- K102L-160173947
- K103R-160173964
- K104R-160173983
- K105L-160174005
-
- K107R-160174032

Edge

01.475 0.6 MD208 IVORY3995 (11013M1) _

- K108L-160174046
- K109L-160174061
- K110L-160174078
- K111R-160174119
-
- K114R-160174156
- K115R-160174167
- K116R-160174181
- K117R-160174203

- K119L-160174234_E
- K120L-160174251_E
- K121R-160174265_I
- K122R-160174284_I
- K123L-160174303_E
- K123R-160174419_L



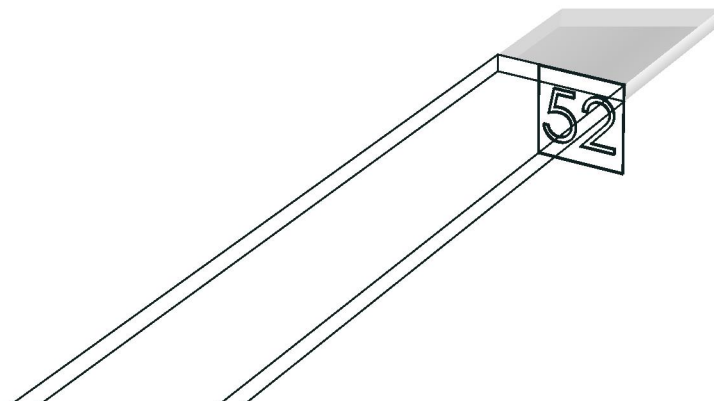
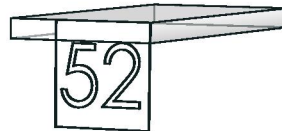
R&D REVIEW

- DWG.Customer
- Work Report
- Function
- สินค้าตรงตัวอย่าง

ผู้ทบทวน P.SAWAI

25/8/24

Model	-IVORY_DFL		
Creator		.BCP Name	INDEX_C3D_KITCHEN2
Reviewer		Order	I003081
Approves	P.SAWAI	Date	



Model	IVORY_DF_CL1250		
Creator	PASATHORN	.BCP Name	INDEX_C3D_KITCHEN2
Reviewer		Order	I004721
Approves	P.SAWAI	Date	22/01/2026

IVORY_DF_CL1250-1250X16X180

Colour

20.36 ML MD216 (PEARL)_

-
-
-
-

Edge

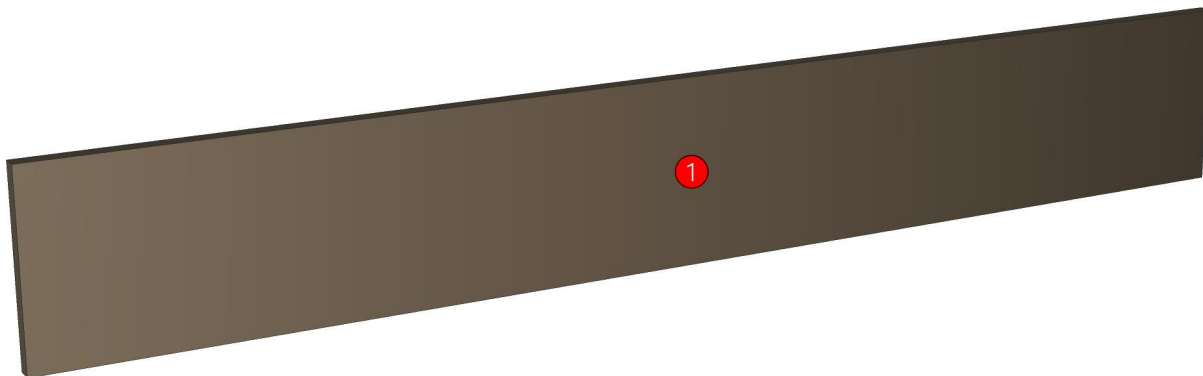
01.476 0.6 SAND STONE P7-500 M1 (73.216) _

-
-
-
-

R&D REVIEW	
<input checked="" type="checkbox"/>	DWG.Customer
<input checked="" type="checkbox"/>	Work Report
<input type="checkbox"/>	Function
<input type="checkbox"/>	สินค้าตรงตัวอย่าง
ผู้ทบทวน <u>P.SAWAI</u>	
<u>22/01/2026</u>	

K107R-160174032

K117R-160174203_ED



Model	IVORY_DF_CL1250		
Creator	PASATHORN	.BCP Name	INDEX_C3D_KITCHEN2
Reviewer		Order	I004721
Approves	P. SAWAI	Date	22/01/2026

No.	Article No.	Description	Mat	Dimension	Cutting Size	Typepology	Skin
0	IVORY_DF_CL1250 IVORY_DF_CL1250-01	IVORY_DF_CL1250 DFCL	PB-SP	1250x180x16 16x180x1250	16X179.4X1249.4;L1:W1	183000_STR=20.36_EDG=SAND STONE P7-500 M1-.6	2

Model	IVORY_DF_CL300		
Creator	PASATHORN	.BCP Name	INDEX_C3D_KITCHEN2
Reviewer		Order	I003076
Approves	P.SAWAI	Date	08/05/2024

IVORY_DF_CL300-300X16X180

Colour

20.36 ML MD216 (PEARL)_

-
-
-

- K100L-160169656
- K100R-160173917
- K101L-160169671
- K101R-160173932
- K102L-160173947
- K103R-160173964
- K104R-160173983
- K105L-160174005
- K106L-160174019
- K107R-160174032

Edge

01.476 0.6 SAND STONE P7-500 M1 (73.216) _

-
-
-
-

- K118R-160174224_I
- K119L-160174234_E

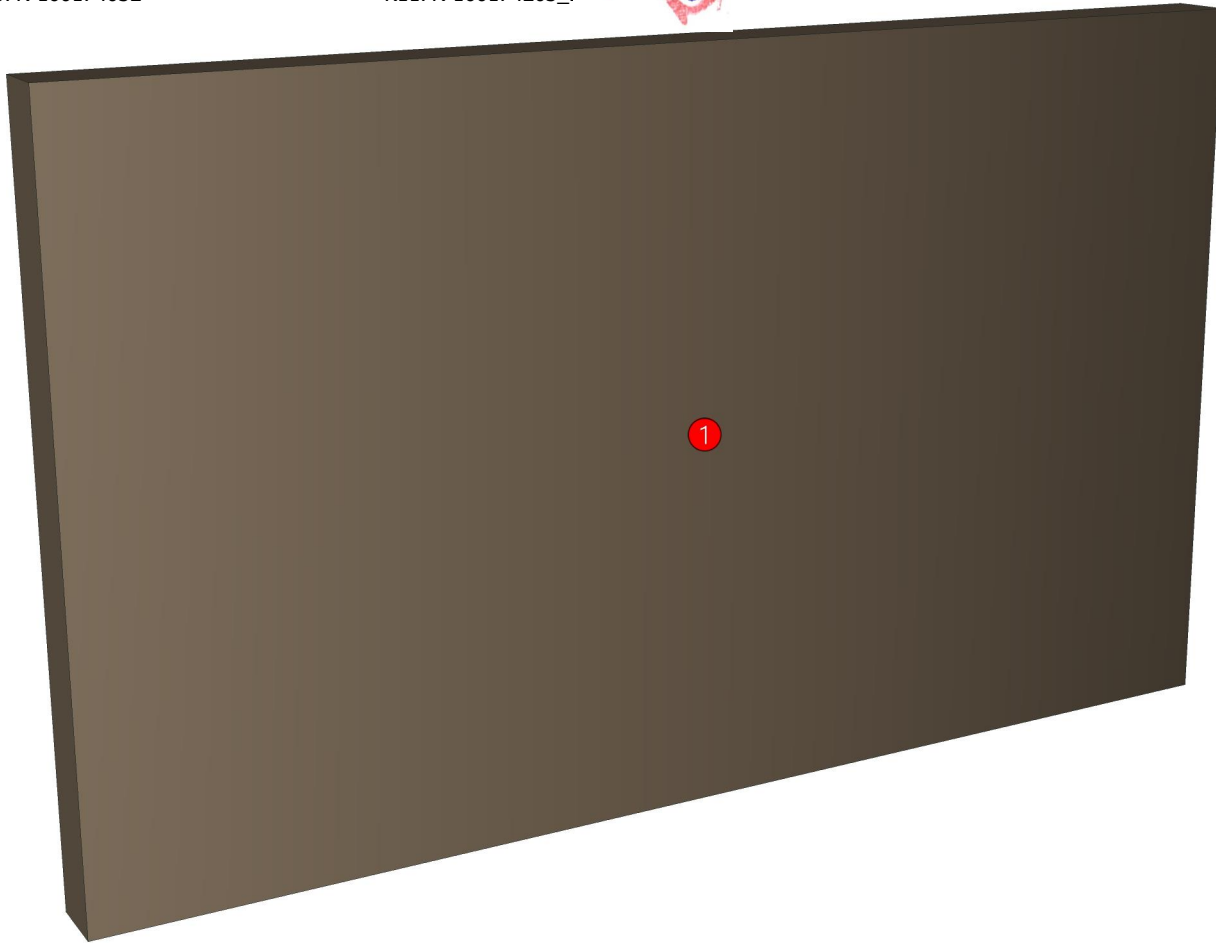


R&D REVIEW

- DWG.Customer
- Work Report
- Function
- สินค้าตรงตัวอย่าง

ผู้ทบทวน P.SAWAI

25/8/24



Model	IVORY_DF_CL300		
Creator	PASATHORN	.BCP Name	INDEX_C3D_KITCHEN2
Reviewer		Order	I003076
Approves	P. SAWAI	Date	08/05/2024

No.	Article No.	Description	Mat	Dimension	Cutting Size	Typepology	Skin
0	IVORY_DF_CL300 IVORY_DF_CL300-01	IVORY_DF_CL300 DF_CL-SP	PB-SP	300x180x16 16x180x300	16X179.4X299.4;L1:W1	183000_STR=20.36_EDG=SAND STONE P7-500 M1-.6	2

Model	IVORY_DF_CL950		
Creator	PASATHORN	.BCP Name	INDEX_C3D_KITCHEN2
Reviewer		Order	I004718
Approves		Date	22/01/2026

IVORY_DF_CL950-950X16X180

Colour

20.36 ML MD216 (PEARL)_

-
-
-
-

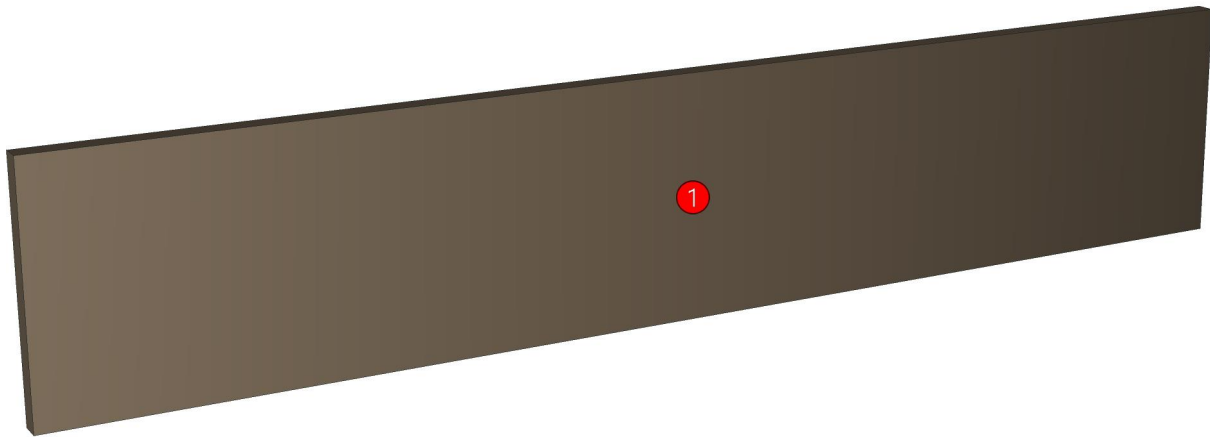
Edge

01.476 0.6 SAND STONE P7-500 M1 (73.216) _

-
-
-
-

R&D REVIEW	
<input checked="" type="checkbox"/>	DWG.Customer
<input checked="" type="checkbox"/>	Work Report
<input type="checkbox"/>	Function
<input type="checkbox"/>	สินค้าตรงตัวอย่าง
ผู้ทบทวน _____	

K107R-160174032



Model	IVORY_DF_CL950		
Creator	PASATHORN	.BCP Name	INDEX_C3D_KITCHEN2
Reviewer		Order	I004718
Approves		Date	22/01/2026

No.	Article No.	Description	Mat	Dimension	Cutting Size	Typepology	Skin
0	IVORY_DF_CL950 IVORY_DF_CL950-01	IVORY_DF_CL950 DFCL	PB-SP	950x180x16 16x180x950	16X179.4X949.4;L1:W1	183000_STR=20.36_EDG=SAND STONE P7-500 M1-.6	2

Model	IVORY_DL55RS		
Creator	PASATHORN	.BCP Name	INDEX_C3D_KITCHEN2
Reviewer		Order	I004754
Approves	<i>P.SAWAI</i>	Date	28/01/2026

IVORY_DL55RS-550X300X625

Colour

05.109 ML.IVORY MD208(PEARL)_

20.36 ML MD216 (PEARL)_

-

-

-

K100R-160173917

Edge

01.475 0.6 MD208 IVORY3995 (11013M1) _

01.476 0.6 SAND STONE P7-500 M1 (73.216) _

-

-

-

R&D REVIEW

DWG.Customer

Work Report

Function

สินค้าตรงตัวอย่าง

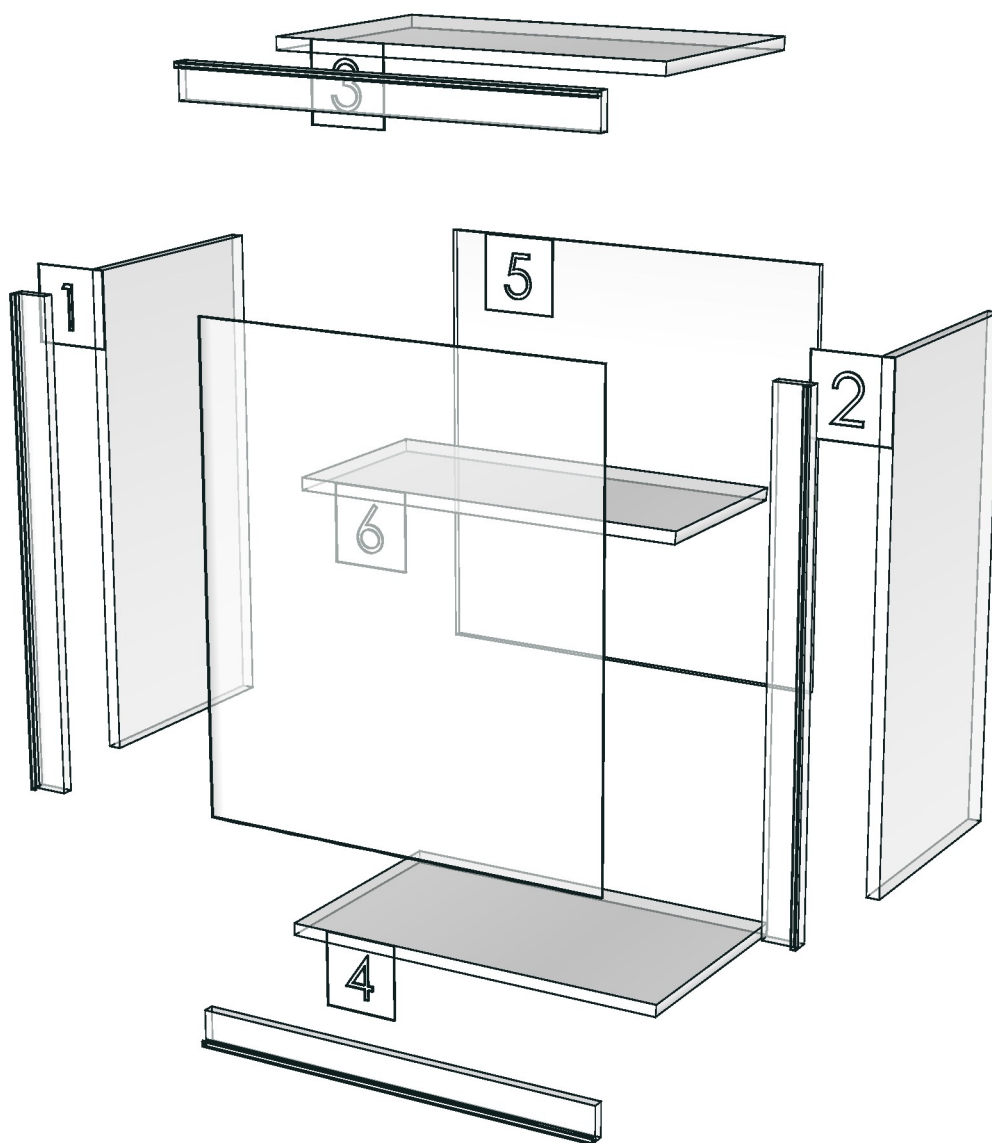
ผู้ทบทวน P.SAWAI

28/01/2026

K107R-160174032



Model	-IVORY_DL55RS		
Creator		.BCP Name	INDEX_C3D_KITCHEN2
Reviewer		Order	I004754
Approves	P.SAWAI	Date	



Model	IVORY_DL85S		
Creator	PASATHORN	.BCP Name	INDEX_C3D_KITCHEN2
Reviewer		Order	I004763
Approves	P-SAWAI	Date	29/01/2026

IVORY_DL85S-850X300X625

Colour

05.109 ML.IVORY MD208(PEARL)_

20.36 ML MD216 (PEARL)_

-

-

-

Edge

01.475 0.6 MD208 IVORY3995 (11013M1) _

01.476 0.6 SAND STONE P7-500 M1 (73.216) _

-

-

-

R&D REVIEW	
<input checked="" type="checkbox"/>	DWG.Customer
<input checked="" type="checkbox"/>	Work Report
<input type="checkbox"/>	Function
<input type="checkbox"/>	สินค้าตรงตัวอย่าง
ผู้ทบทวน <u>P-SAWAI</u>	
<u>29/01/2026</u>	

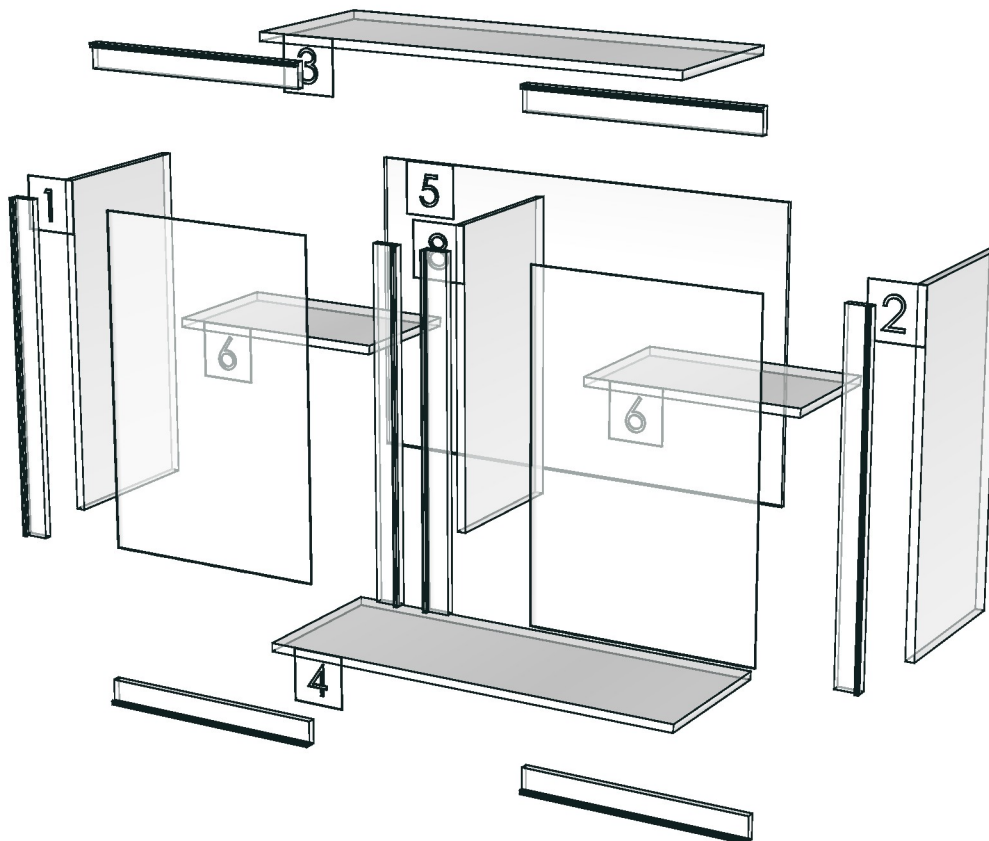
K104R-160173983

K116R-160174181

K107R-160174032



Model	-IVORY_DL85S		
Creator		.BCP Name	INDEX_C3D_KITCHEN2
Reviewer		Order	I004763
Approves	P.SAWAI	Date	



Model	IVORY_DLOMV60		
Creator	PASATHORN	.BCP Name	INDEX_C3D_KITCHEN2
Reviewer		Order	I003102
Approves	<i>P.SAWAI</i>	Date	13/05/2024

IVORY_DLOMV60-600X380X625

Colour

05.109 ML.IVORY MD208(PEARL)_
20.36 ML MD216 (PEARL)_
05.01 ML WHITE VM1012 18/18_

-
K100L-160169656
K100R-160173917
K101L-160169671
K101R-160173932
K102L-160173947
K103R-160173964
K104R-160173983
K105L-160174005

K107R-160174032

Edge

01.475 0.6 MD208 IVORY3995 (11013M1) _
01.476 0.6 SAND STONE P7-500 M1 (73.216) _

-
-
-

K109L-160174061
K110L-160174078
K111R-160174119

K115R-160174167_F

K116R-160174181

K117R-160174203

K120L-160174251_F
K121R-160174265_I
K122R-160174284_I
K123L-160174303_F
K123R-160174419_L

R&D REVIEW

DWG.Customer

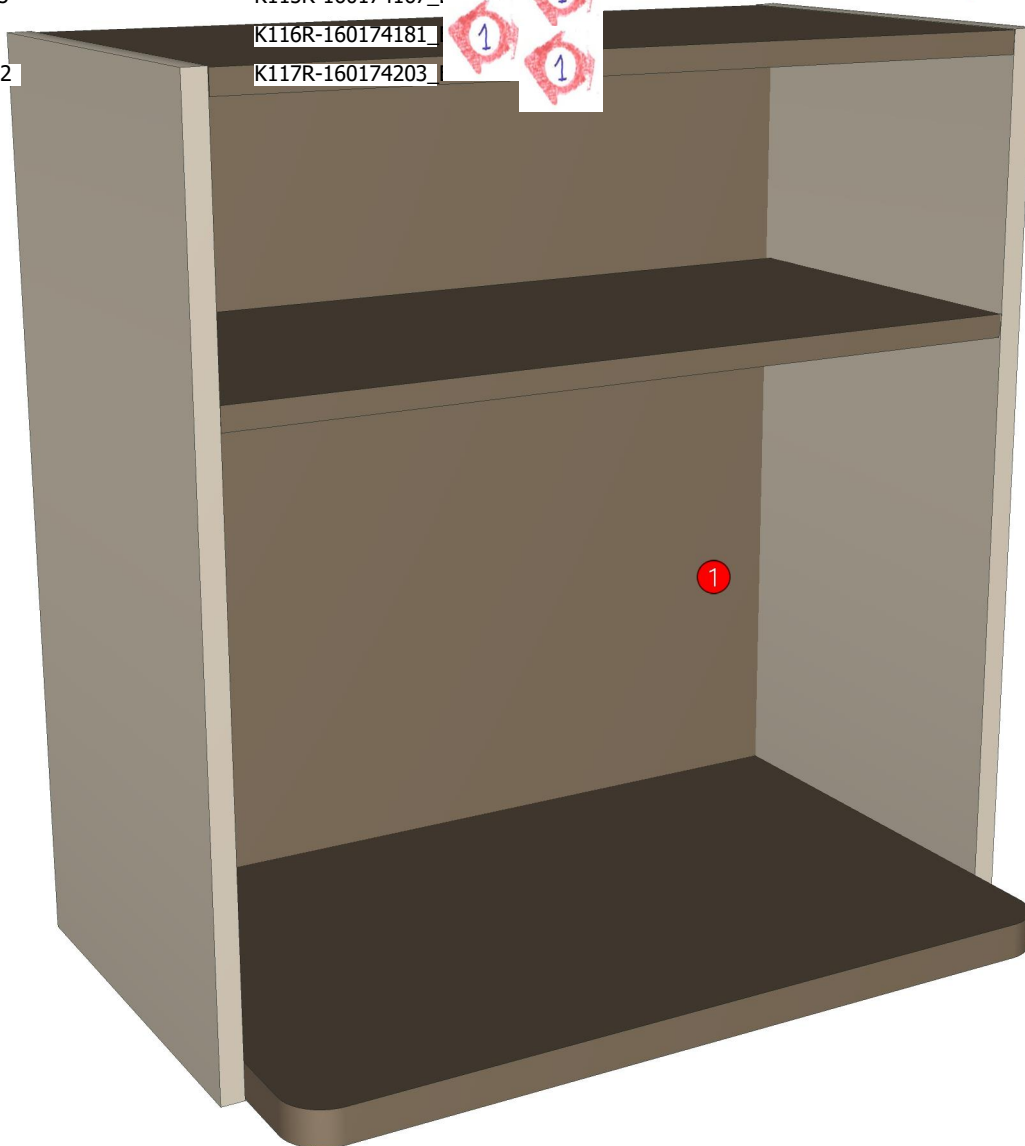
Work Report

Function

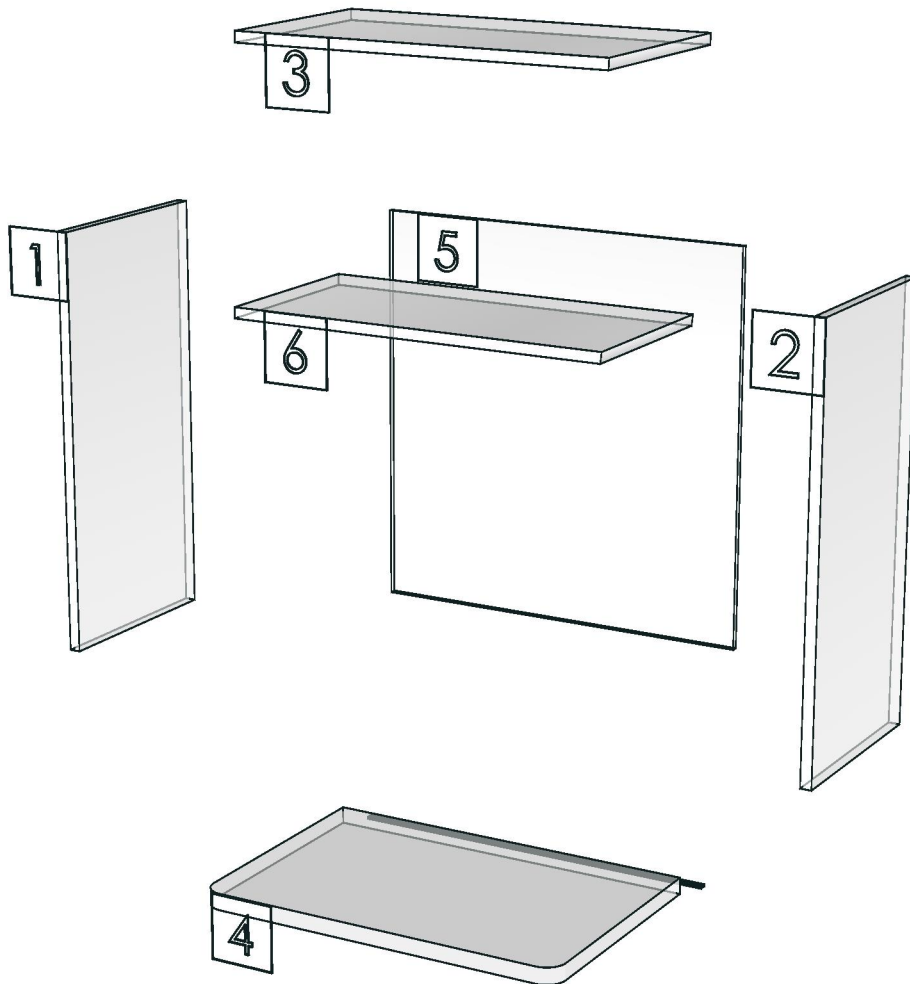
สินค้าตรงตัวอย่าง

ผู้ทบทวน *P.SAWAI*

25/05/2024



Model	-IVORY_DLOMV60		
Creator		.BCP Name	INDEX_C3D_KITCHEN2
Reviewer		Order	I003102
Approves	P.SAWAI	Date	



Model	IVORY_DUT1000		
Creator	PASATHORN	.BCP Name	INDEX_C3D_KITCHEN2
Reviewer		Order	I004700
Approves		Date	22/01/2026

IVORY_DUT1000-1000X60X12

Colour

05.01 ML WHITE VM1012 18/18_

-
-
-
-

Edge

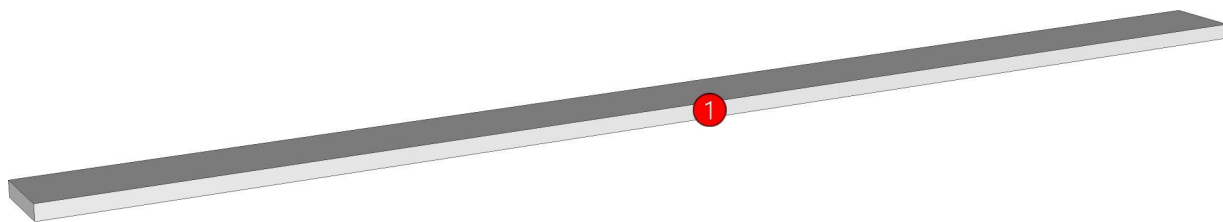
01.24 0.6 WHITE _

-
-
-
-

R&D REVIEW	
<input checked="" type="checkbox"/>	DWG.Customer
<input checked="" type="checkbox"/>	Work Report
<input type="checkbox"/>	Function
<input type="checkbox"/>	สินค้าตรงตัวอย่าง
ผู้ทบทวน _____	

K103R-160173964

K107R-160174032



Model	IVORY_DUT1000		
Creator	PASATHORN	.BCP Name	INDEX_C3D_KITCHEN2
Reviewer		Order	I004700
Approves		Date	22/01/2026

No.	Article No.	Description	Mat	Dimension	Cutting Size	Typepology	Skin
0	IVORY_DUT1000 IVORY_DUT1000-01	IVORY_DUT1000 DUT-SP	PB-SP	1000x12x60 12x60x1000	12X58.8X1000;L2:W0	182000_STR=05.01_EDG=WHITE-.6	2

Model	IVORY_DUT1200		
Creator	PASATHORN	.BCP Name	INDEX_C3D_KITCHEN2
Reviewer		Order	I003069
Approves	P.SAWAI	Date	07/05/2024

IVORY_DUT1200-1200X60X12

Colour

05.01 ML WHITE VM1012 18/18_

-
-
-
-

Edge

01.24 0.6 WHITE _

-
-
-
-

R&D REVIEW

- DWG.Customer
- Work Report
- Function
- สินค้าตรงตัวอย่าง

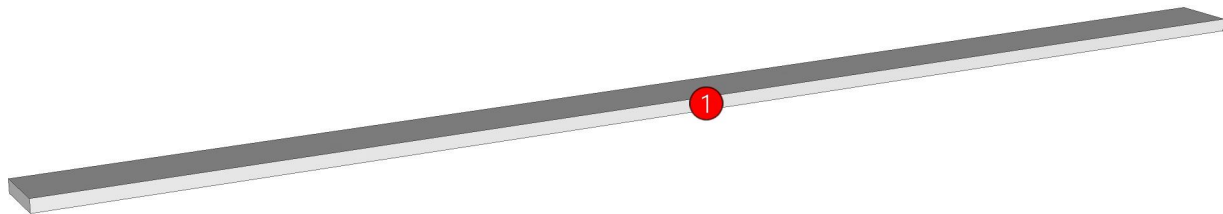
ผู้ทบทวน P.SAWAI
25/8/2563

K107R-160174032

K116R-160174181_I



K117R-160174203_I



Model	IVORY_DUT1200		
Creator	PASATHORN	.BCP Name	INDEX_C3D_KITCHEN2
Reviewer		Order	I003069
Approves	P. SAWAI	Date	07/05/2024

No.	Article No.	Description	Mat	Dimension	Cutting Size	Typepology	Skin
0	IVORY_DUT1200 IVORY_DUT1200-01	IVORY_DUT1200 DUT-SP	PB-SP	1200x12x60 12x60x1200	12X58.8X1200;L2:W0	182000_STR=05.01_EDG=WHITE-.6	2

Model	IVORY_DUT500		
Creator	PASATHORN	.BCP Name	INDEX_C3D_KITCHEN2
Reviewer		Order	I003067
Approves	P.SAWAI	Date	07/05/2024

IVORY_DUT500-500X60X12

Colour

05.01 ML WHITE VM1012 18/18_

-
-
-
- K100L-160169656
- K100R-160173917
- K101L-160169671
- K101R-160173932
- K102L-160173947
- K103R-160173964
- K104R-160173983
- K105L-160174005
- K106L-160174019
- K107R-160174032

Edge

01.24 0.6 WHITE _

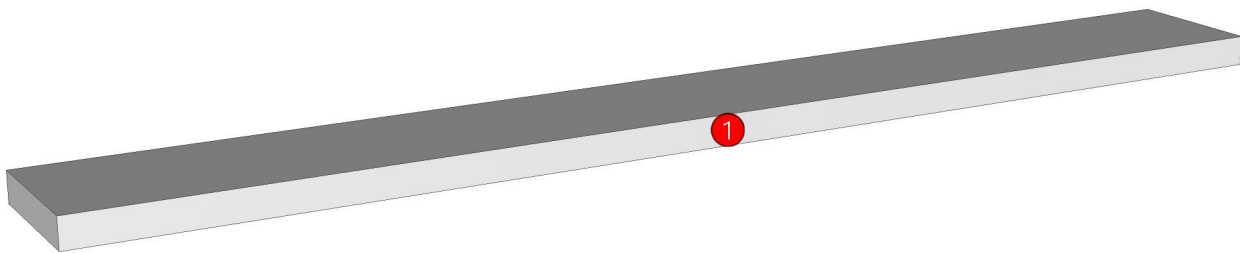
-
-
-
- K108L-160174046
- K109L-160174061
- K110L-160174078
- K111R-160174119
- K112R-160174137_I
- K113R-160174146_I
- K114R-160174156_I
- K115R-160174167_I
- K116R-160174181_I
- K117R-160174203_I
- K118R-160174224_I
- K119L-160174234_E
- K120L-160174251_E
- K121R-160174265_I
- K122R-160174284_I
- K123L-160174303_E
- K123R-160174419_L

R&D REVIEW

- DWG.Customer
- Work Report
- Function
- สินค้าตรงตัวอย่าง

ผู้ทบทวน P.SAWAI

25/8/24



Model	IVORY_DUT500		
Creator	PASATHORN	.BCP Name	INDEX_C3D_KITCHEN2
Reviewer		Order	I003067
Approves	P. SAWAI	Date	07/05/2024

No.	Article No.	Description	Mat	Dimension	Cutting Size	Typepology	Skin
0	IVORY_DUT500 IVORY_DUT500-01	IVORY_DUT500 DUT-SP	PB-SP	500x12x60 12x60x500	12X58.8X500;L2:W0	182000_STR=05.01_EDG=WHITE-.6	2

Model	IVORY_D_FLR		
Creator	PASATHORN	.BCP Name	INDEX_C3D_KITCHEN2
Reviewer		Order	I004729
Approves	P.SAWAI	Date	22/01/2026

IVORY_D_FLR-400X400X82_ IVORY_D_FLR

Colour

05.109 ML.IVORY MD208(PEARL)_

-
-
-
-

Edge

01.475 0.6 MD208 IVORY3995 (11013M1) _

-
-
-
-

K110L-160174078

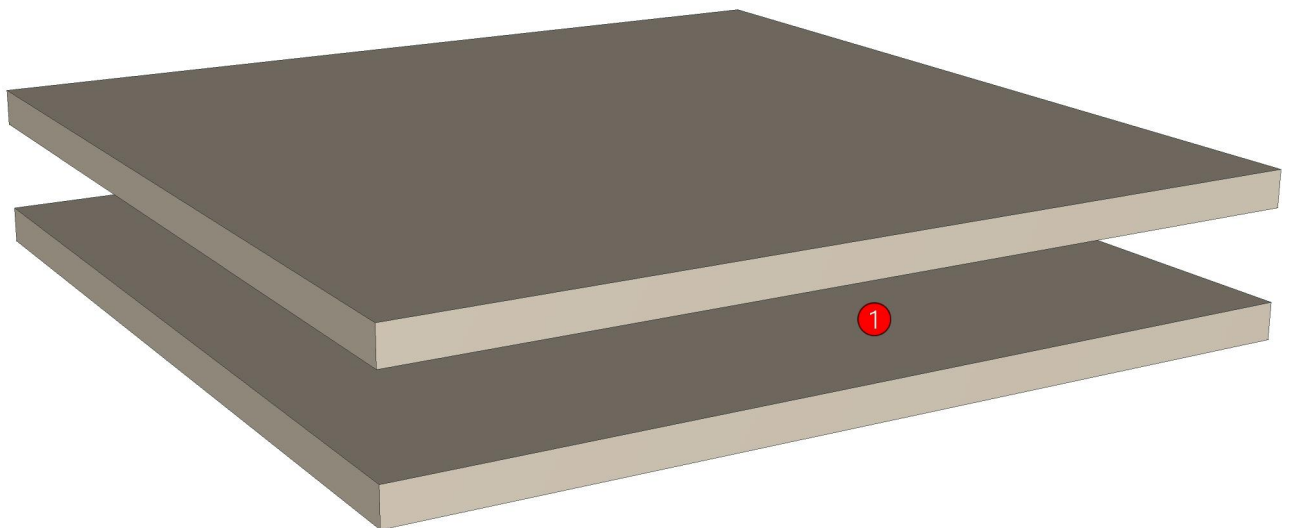
K123L-160174303

K123R-160174419

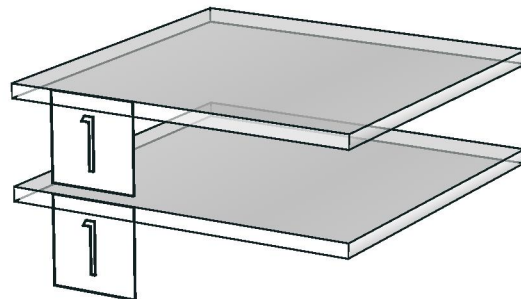
K116R-160174181

K107R-160174032

R&D REVIEW	
<input checked="" type="checkbox"/>	DWG.Customer
<input checked="" type="checkbox"/>	Work Report
<input type="checkbox"/>	Function
<input type="checkbox"/>	สินค้าตรงตัวอย่าง
ผู้ทบทวน <u>P.SAWAI</u>	
<u>22/01/2026</u>	



Model	-IVORY_D_FLR		
Creator		.BCP Name	INDEX_C3D_KITCHEN2
Reviewer		Order	I004729
Approves	P.SAWAI	Date	



Model	IVORY_D_PLT1000		
Creator	PASATHORN	.BCP Name	INDEX_C3D_KITCHEN2
Reviewer		Order	I003073
Approves	P.SAWAI	Date	07/05/2024

IVORY_D_PLT1000-1000X9X100

Colour

20.36 ML MD216 (PEARL)_

-
-
-
-

Edge

01.476 0.6 SAND STONE P7-500 M1 (73.216) _

-
-
-
-

R&D REVIEW	
<input checked="" type="checkbox"/>	DWG.Customer
<input checked="" type="checkbox"/>	Work Report
<input type="checkbox"/>	Function
<input type="checkbox"/>	สินค้าตรงตัวอย่าง
ผู้ทบทวน <u>P.SAWAI</u>	
<u>25/8/2563</u>	

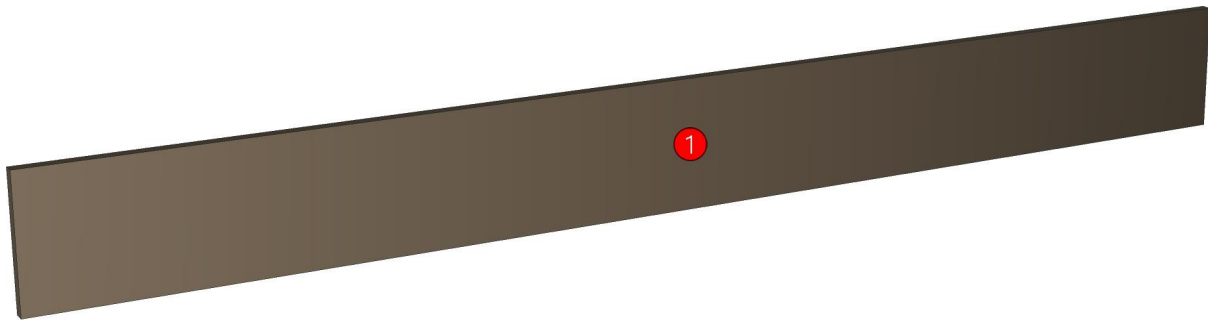
K110L-160174078

K121R-160174265_1

K116R-160174181_1

K107R-160174032

K117R-160174203_1



Model	IVORY_D_PLT1000		
Creator	PASATHORN	.BCP Name	INDEX_C3D_KITCHEN2
Reviewer		Order	I003073
Approves	P. SAWAI	Date	07/05/2024

No.	Article No.	Description	Mat	Dimension	Cutting Size	Typepology	Skin
0	IVORY_D_PLT1000	IVORY_D_PLT1000		1000x100x9			
	IVORY_D_PLT1000-01	D_PLINT-SP	PB-SP	9x100x1000	9X98.8X998.8;L2:W2	183000_STR=20.36_EDG=SAND STONE P7-500 M1-.6	2

Model	IVORY_LED517		
Creator	PASATHORN	.BCP Name	INDEX_C3D_KITCHEN2
Reviewer		Order	I004732
Approves		Date	26/01/2026

IVORY_LED517-517X299X49

Colour

20.36 ML MD216 (PEARL)_

-
-
-
-

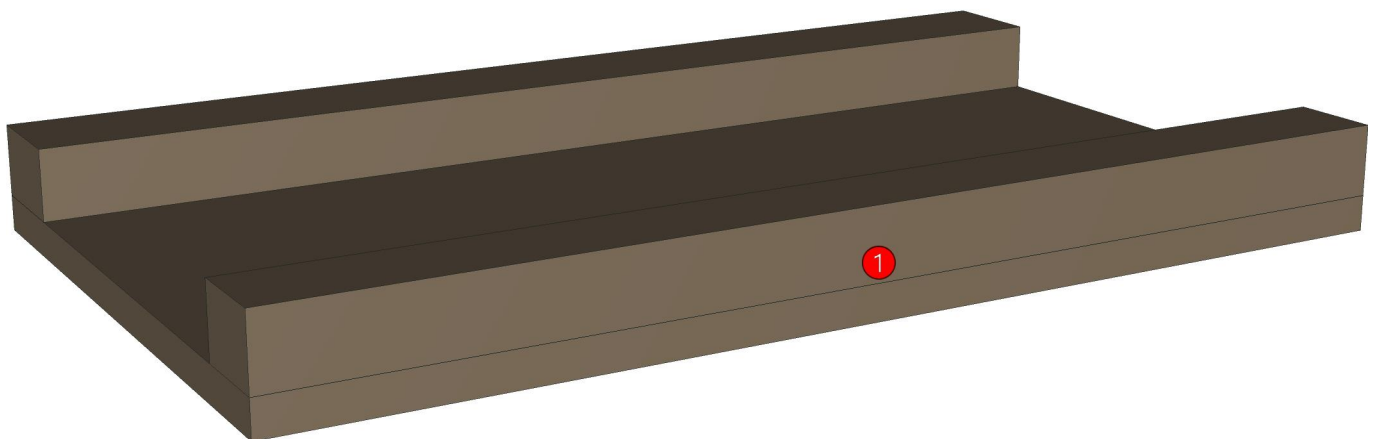
Edge

01.476 0.6 SAND STONE P7-500 M1 (73.216) _

-
-
-
-

R&D REVIEW	
<input checked="" type="checkbox"/>	DWG.Customer
<input checked="" type="checkbox"/>	Work Report
<input type="checkbox"/>	Function
<input type="checkbox"/>	สินค้าตรงตัวอย่าง
ผู้ทบทวน _____	

K107R-160174032



Model	IVORY_LED517		
Creator	PASATHORN	.BCP Name	INDEX_C3D_KITCHEN2
Reviewer		Order	I004732
Approves		Date	26/01/2026

No.	Article No.	Description	Mat	Dimension	Cutting Size	Typepology	Skin
0	IVORY_LED517	IVORY_LED517		517x49x299			
	IVORY_LED517-01	LEDBOX-SP	PB-SP	48x299x517	L2:W0	50000_STR=20.36_EDG=SAND STONE P7-500 M1-.6	2
	IVORY_LED517-01A	FLOOR BOX	PB-SP	16x299x517	16X299X517;NO EDGE	182000_STR=20.36_EDG=-	2
	IVORY_LED517-01B	Front SUPPORT BOX	PB-ST	32x40x517	32X40X517;NO EDGE	182001_STR=20.36_EDG=-	2
	IVORY_LED517-01C	BACK SUPPORT BOX	PB-ST	32x50x517	32X50X517;NO EDGE	182002_STR=20.36_EDG=-	2

Model	IVORY_LED817R		
Creator	PASATHORN	.BCP Name	INDEX_C3D_KITCHEN2
Reviewer		Order	I004741
Approves	P.SAWAI	Date	26/01/2026

IVORY_LED817R-817X299X49

Colour

20.36 ML MD216 (PEARL)_

-
-
-
-

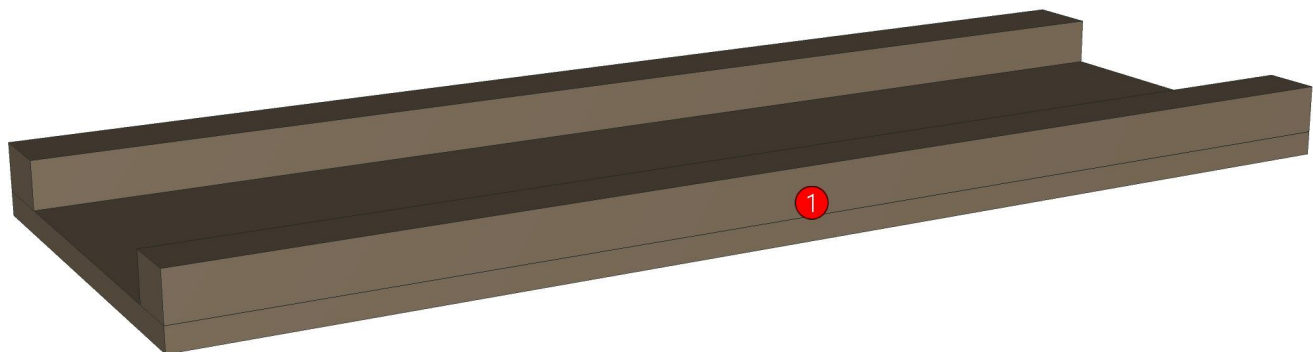
Edge

01.476 0.6 SAND STONE P7-500 M1 (73.216) _

-
-
-
-

R&D REVIEW	
<input checked="" type="checkbox"/>	DWG.Customer
<input checked="" type="checkbox"/>	Work Report
<input type="checkbox"/>	Function
<input type="checkbox"/>	สินค้าตรงตัวอย่าง
ผู้ทบทวน <u>P.SAWAI</u>	
<u>26/01/2026</u>	

K107R-160174032



Model	IVORY_LED817R		
Creator	PASATHORN	.BCP Name	INDEX_C3D_KITCHEN2
Reviewer		Order	I004741
Approves	P. SAWAI	Date	26/01/2026

No.	Article No.	Description	Mat	Dimension	Cutting Size	Typepology	Skin
0	IVORY_LED817R	IVORY_LED817R		817x49x299			
	IVORY_LED817R-01	LEDBOX-SP	PB-SP	48x299x817	L2:W0	50000_STR=20.36_EDG=SAND STONE P7-500 M1-.6	2
	IVORY_LED817R-01A	FLOOR BOX	PB-SP	16x299x817	16X299X817;NO EDGE	182000_STR=20.36_EDG=-	2
	IVORY_LED817R-01B	Front SUPPORT BOX	PB-ST	32x40x817	32X40X817;NO EDGE	182001_STR=20.36_EDG=-	2
	IVORY_LED817R-01C	BACK SUPPORT BOX	PB-ST	32x50x817	32X50X817;NO EDGE	182002_STR=20.36_EDG=-	2