

<b>Model</b>	IVORY_DB1968L		
<b>Creator</b>	PASATHORN	<b>.BCP Name</b>	INDEX_C3D_KITCHEN2
<b>Reviewer</b>		<b>Order</b>	I004790
<b>Approves</b>	P-SAWAI	<b>Date</b>	06/02/2026

## IVORY\_DB1968L-1968X570X901

**Colour**

05.109 ML.IVORY MD208(PEARL)\_

20.36 ML MD216 (PEARL)\_

-

-

-

**Edge**

01.475 0.6 MD208 IVORY3995 (11013M1) \_

01.476 0.6 SAND STONE P7-500 M1 (73.216) \_

-

-

-

**R&D REVIEW**

DWG.Customer

Work Report

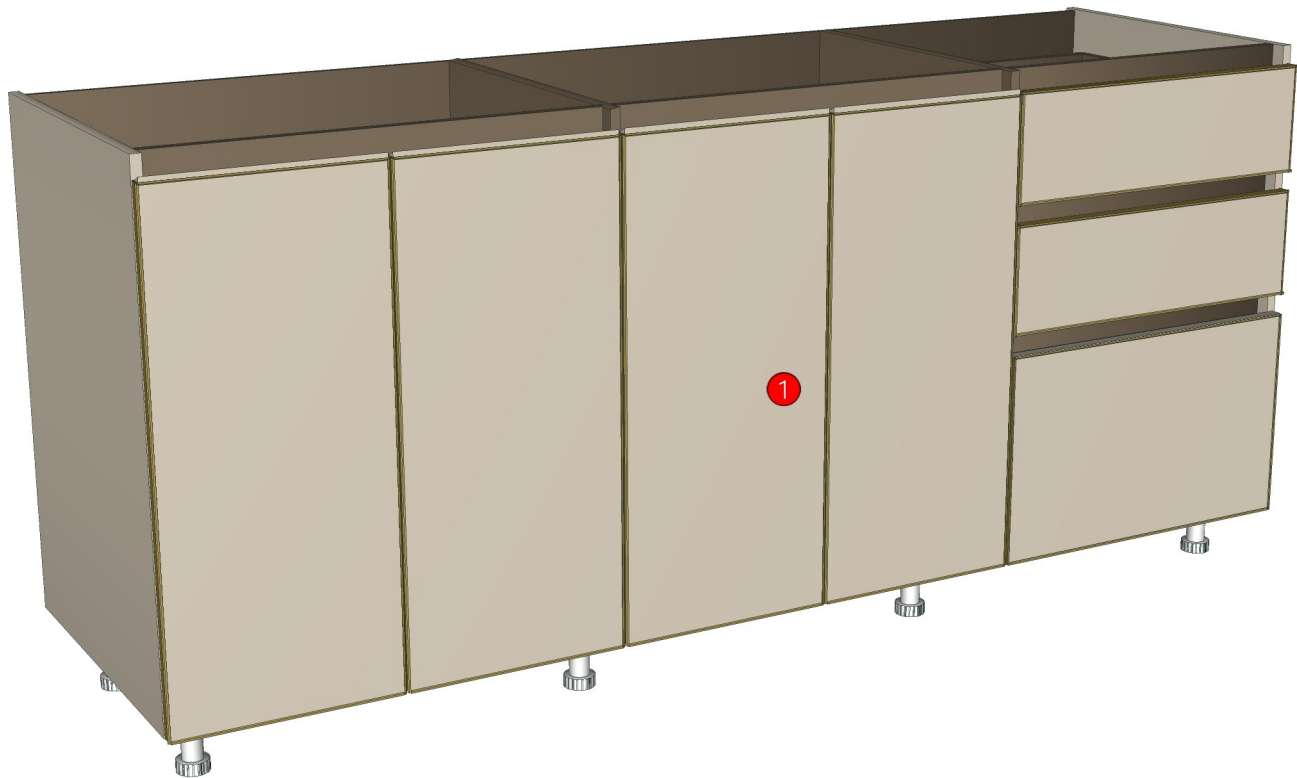
Function

สินค้าตรงตัวอย่าง

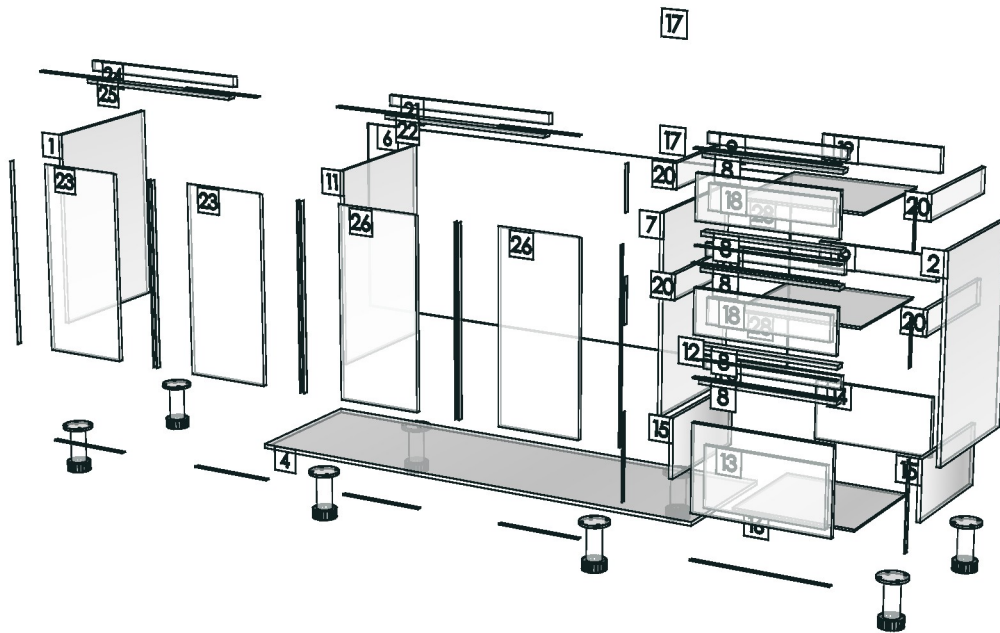
ผู้ทบทวน P-SAWAI

06/02/2026

K102L-160173947



<b>Model</b>	-IVORY_DB1968L		
<b>Creator</b>		<b>.BCP Name</b>	INDEX_C3D_KITCHEN2
<b>Reviewer</b>		<b>Order</b>	I004790
<b>Approves</b>	P.SAWAI	<b>Date</b>	



<b>Model</b>	IVORY_DBO716		
<b>Creator</b>	PASATHORN	<b>.BCP Name</b>	INDEX_C3D_KITCHEN2
<b>Reviewer</b>		<b>Order</b>	I003083
<b>Approves</b>	P.SAWAI	<b>Date</b>	08/05/2024

## **IVORY\_DBO716-716X593X901**

### **Colour**

05.109 ML.IVORY MD208(PEARL)\_  
20.36 ML MD216 (PEARL)\_

-  
-  
K100L-160169656  
K100R-160173917  
K101L-160169671  
K101R-160173932  
K102L-160173947

K108L-160174046  
K109L-160174061

### **Edge**

01.475 0.6 MD208 IVORY3995 (11013M1) \_  
01.476 0.6 SAND STONE P7-500 M1 (73.216) \_

-  
-  
K119L-160174234\_E  
K120L-160174251\_EL  
K121R-160174265\_I

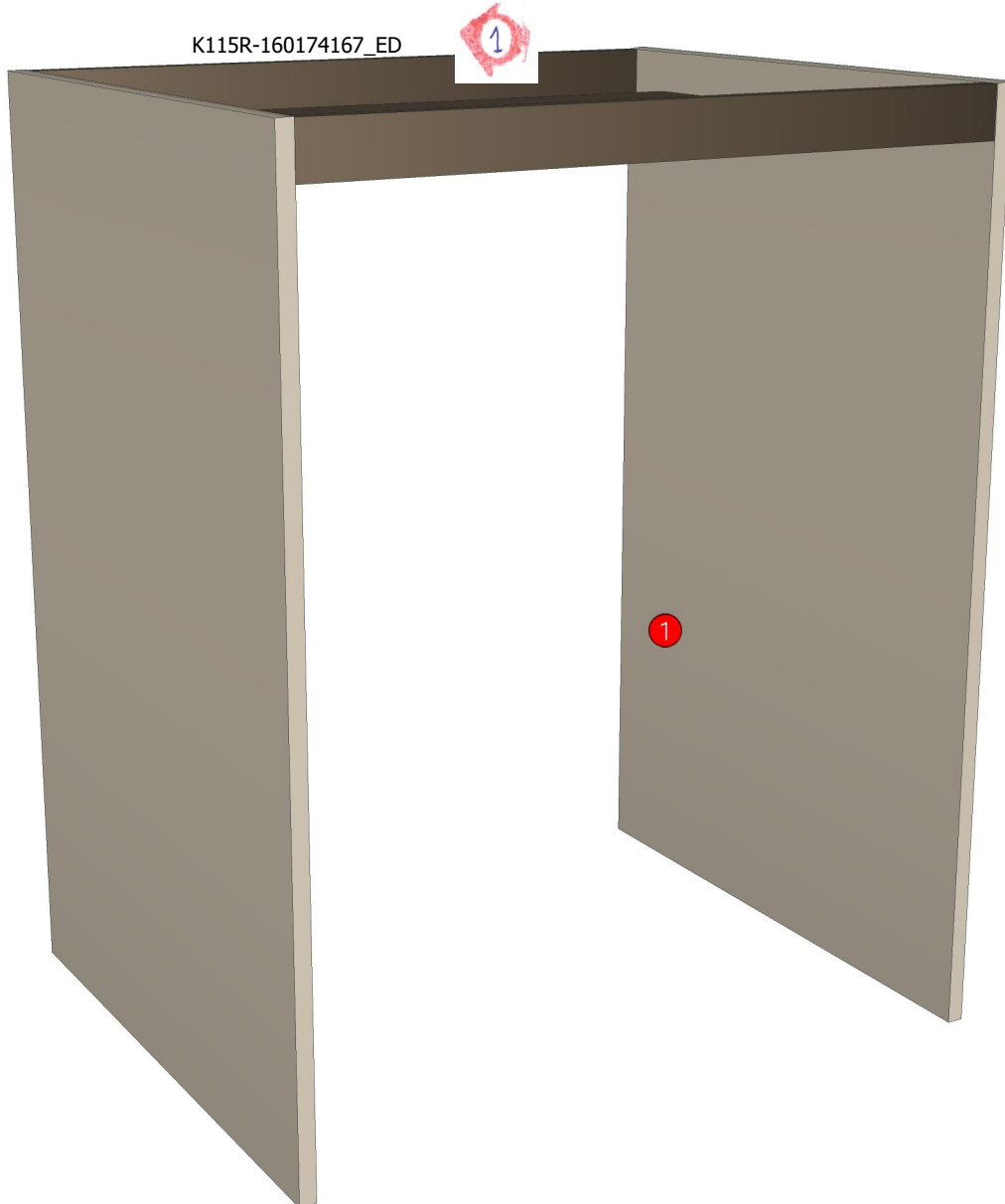
**R&D REVIEW**

- DWG.Customer
- Work Report
- Function
- สินค้าตรงตัวอย่าง

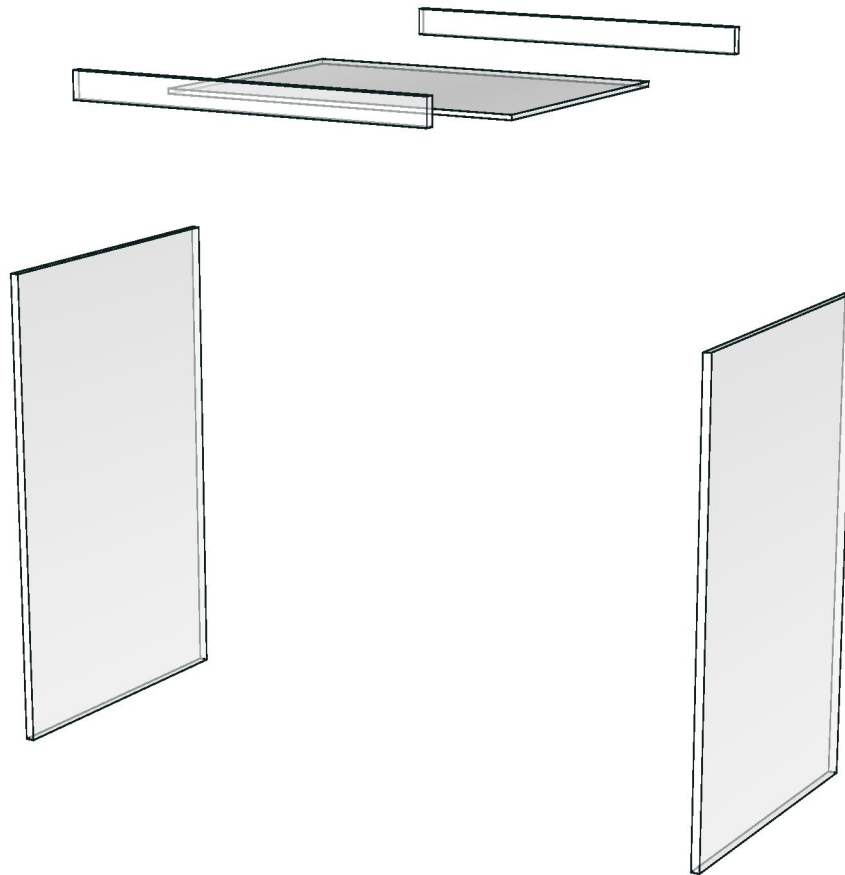
ผู้ทบทวน P.SAWAI  
25/8/24

K105L-160174005

K115R-160174167\_ED



<b>Model</b>	-IVORY_DBO716		
<b>Creator</b>		<b>.BCP Name</b>	INDEX_C3D_KITCHEN2
<b>Reviewer</b>		<b>Order</b>	I003083
<b>Approves</b>	P. SAWAI	<b>Date</b>	



<b>Model</b>	IVORY_DEPB		
<b>Creator</b>	PASATHORN	<b>.BCP Name</b>	INDEX_C3D_KITCHEN2
<b>Reviewer</b>		<b>Order</b>	I004460
<b>Approves</b>	<i>P.SAWAI</i>	<b>Date</b>	30/09/2025

## IVORY\_DEPB-16X593X901

**Colour**

05.109 ML.IVORY MD208(PEARL)\_

- 
- 
- 
- K100L-160169656
- K100R-160173917
- K101L-160169671
- K101R-160173932
- K102L-160173947
- K103R-160173964
- K104R-160173983
- K105L-160174005
- K106L-160174019
- K107R-160174032

**Edge**

01.475 0.6 MD208 IVORY3995 (11013M1) \_

- 
- 
- 
- 
- K108L-160174046
- K109L-160174061
- K110L-160174078

- 
- 
- 
- 
- K118R-160174224\_I
- K119L-160174234\_E

K113R-160174146\_ED

K123L-160174303\_E

K123R-160174419\_L

K116R-160174181\_I

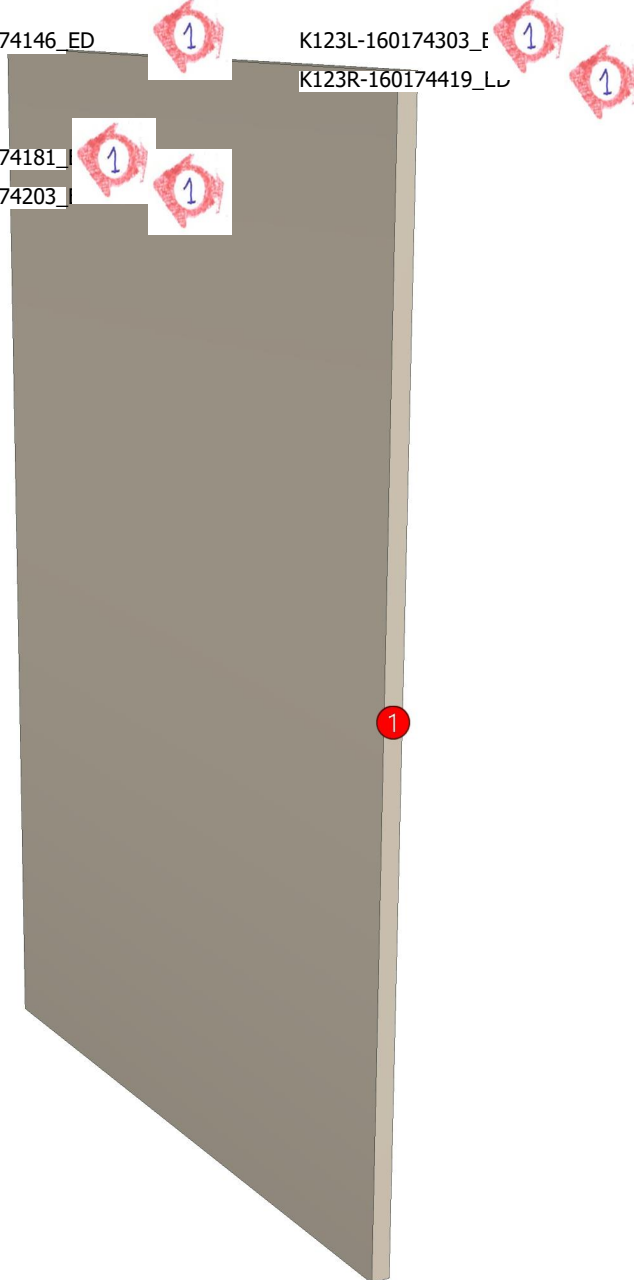
K117R-160174203\_I

**R&D REVIEW**

- DWG.Customer
- Work Report
- Function
- สินค้าตรงตัวอย่าง

ผู้ทบทวน P.SAWAI

25/9/25



<b>Model</b>	IVORY_DEPB		
<b>Creator</b>	PASATHORN	<b>.BCP Name</b>	INDEX_C3D_KITCHEN2
<b>Reviewer</b>		<b>Order</b>	I004460
<b>Approves</b>	P. SAWAI	<b>Date</b>	30/09/2025

No.	Article No.	Description	Mat	Dimension	Cutting Size	Typepology	Skin
0	IVORY_DEPB IVORY_DEPB-01	IVORY_DEPB DEP	PB-SP	16x901x593 16x593x901	16X591.8X899.8;L2:W2	181000_STR=05.109_EDG=MD208-.6	2

<b>Model</b>	IVORY_DFL		
<b>Creator</b>	PASATHORN	<b>.BCP Name</b>	INDEX_C3D_KITCHEN2
<b>Reviewer</b>		<b>Order</b>	I003081
<b>Approves</b>	<i>P.SAWAI</i>	<b>Date</b>	08/05/2024

## IVORY\_DFL-150X19X625

**Colour**

05.109 ML.IVORY MD208(PEARL)\_

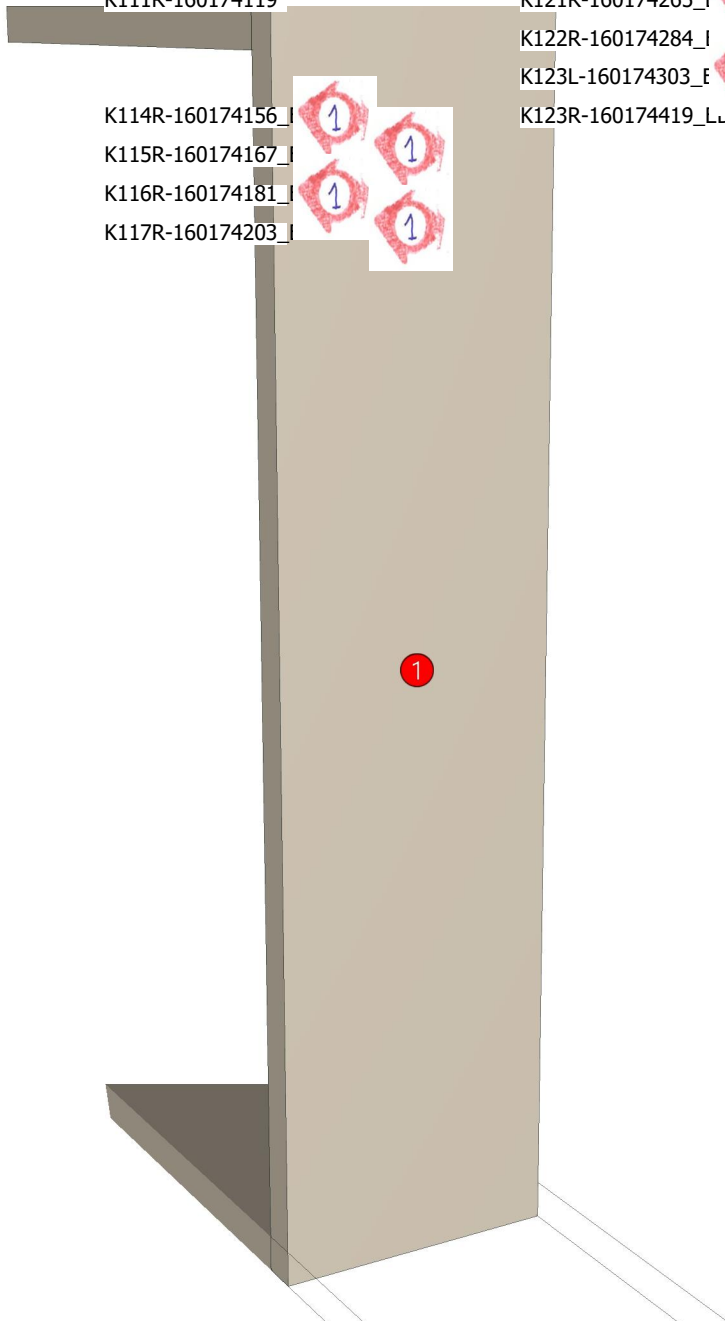
- 
- 
- 
- K100L-160169656
- K100R-160173917
- 
- K102L-160173947
- K103R-160173964
- K104R-160173983
- K105L-160174005
- 
- K107R-160174032

**Edge**

01.475 0.6 MD208 IVORY3995 (11013M1) \_

- K108L-160174046
- K109L-160174061
- K110L-160174078
- K111R-160174119
- 
- K114R-160174156
- K115R-160174167
- K116R-160174181
- K117R-160174203

- K119L-160174234\_E
- K120L-160174251\_E
- K121R-160174265\_I
- K122R-160174284\_I
- K123L-160174303\_E
- K123R-160174419\_L



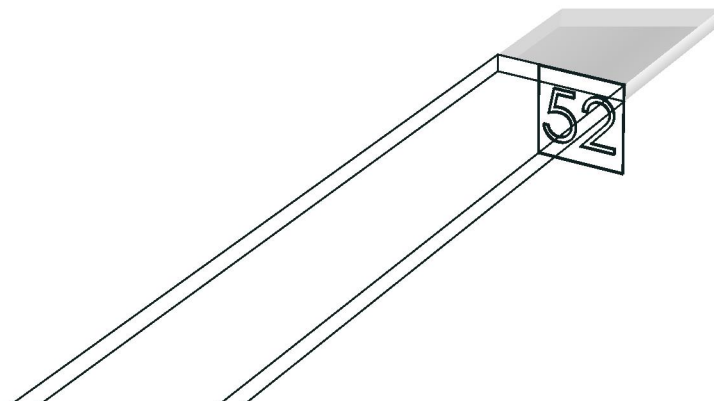
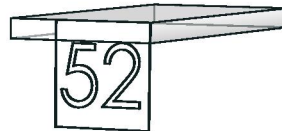
**R&D REVIEW**

- DWG.Customer
- Work Report
- Function
- สินค้าตรงตัวอย่าง

ผู้ทบทวน P.SAWAI

*25/8/24*

<b>Model</b>	-IVORY_DFL		
<b>Creator</b>		<b>.BCP Name</b>	INDEX_C3D_KITCHEN2
<b>Reviewer</b>		<b>Order</b>	I003081
<b>Approves</b>	P.SAWAI	<b>Date</b>	



<b>Model</b>	IVORY_DF_CL2150		
<b>Creator</b>	PASATHORN	<b>.BCP Name</b>	INDEX_C3D_KITCHEN2
<b>Reviewer</b>		<b>Order</b>	I004724
<b>Approves</b>	P.SAWAI	<b>Date</b>	22/01/2026

## **IVORY\_DF\_CL2150-2150X16X180**

**Colour**

20.36 ML MD216 (PEARL)\_

-  
-  
-  
-

**Edge**

01.476 0.6 SAND STONE P7-500 M1 (73.216) \_

-  
-  
-  
-

K109L-160174061

K119L-160174234\_E



K111R-160174119

K102L-160173947

K104R-160173983

K105L-160174005

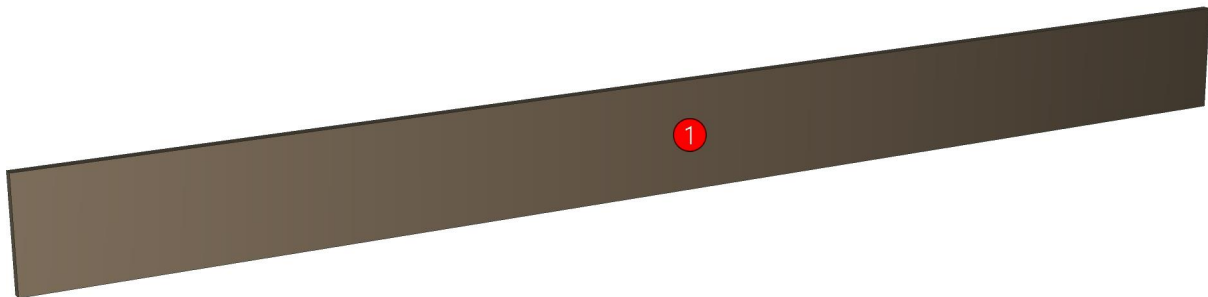
K115R-160174167\_ED



**R&D REVIEW**


- DWG.Customer
- Work Report
- Function
- สินค้าตรงตัวอย่าง

ผู้ทบทวน P.SAWAI  
22/01/2026



<b>Model</b>	IVORY_DF_CL2150		
<b>Creator</b>	PASATHORN	<b>.BCP Name</b>	INDEX_C3D_KITCHEN2
<b>Reviewer</b>		<b>Order</b>	I004724
<b>Approves</b>	P. SAWAI	<b>Date</b>	22/01/2026

No.	Article No.	Description	Mat	Dimension	Cutting Size	Typepology	Skin
0	IVORY_DF_CL2150 IVORY_DF_CL2150-01	IVORY_DF_CL2150 DFCL	PB-SP	2150x180x16 16x180x2150	16X179.4X2149.4;L1:W1	183000_STR=20.36_EDG=SAND STONE P7-500 M1-.6	2

<b>Model</b>	IVORY_DBO716		
<b>Creator</b>	PASATHORN	<b>.BCP Name</b>	INDEX_C3D_KITCHEN2
<b>Reviewer</b>		<b>Order</b>	I003083
<b>Approves</b>		<b>Date</b>	08/05/2024

## IVORY\_DBO716-716X593X901

**Colour**

05.109 ML.IVORY MD208(PEARL)\_  
20.36 ML MD216 (PEARL)\_

-  
-  
K100L-160169656  
K100R-160173917  
K101L-160169671  
K101R-160173932  
K102L-160173947

K108L-160174046  
K109L-160174061

**Edge**

01.475 0.6 MD208 IVORY3995 (11013M1) \_  
01.476 0.6 SAND STONE P7-500 M1 (73.216) \_

-  
-  
K119L-160174234\_E  
K120L-160174251\_E  
K121R-160174265\_I

K105L-160174005

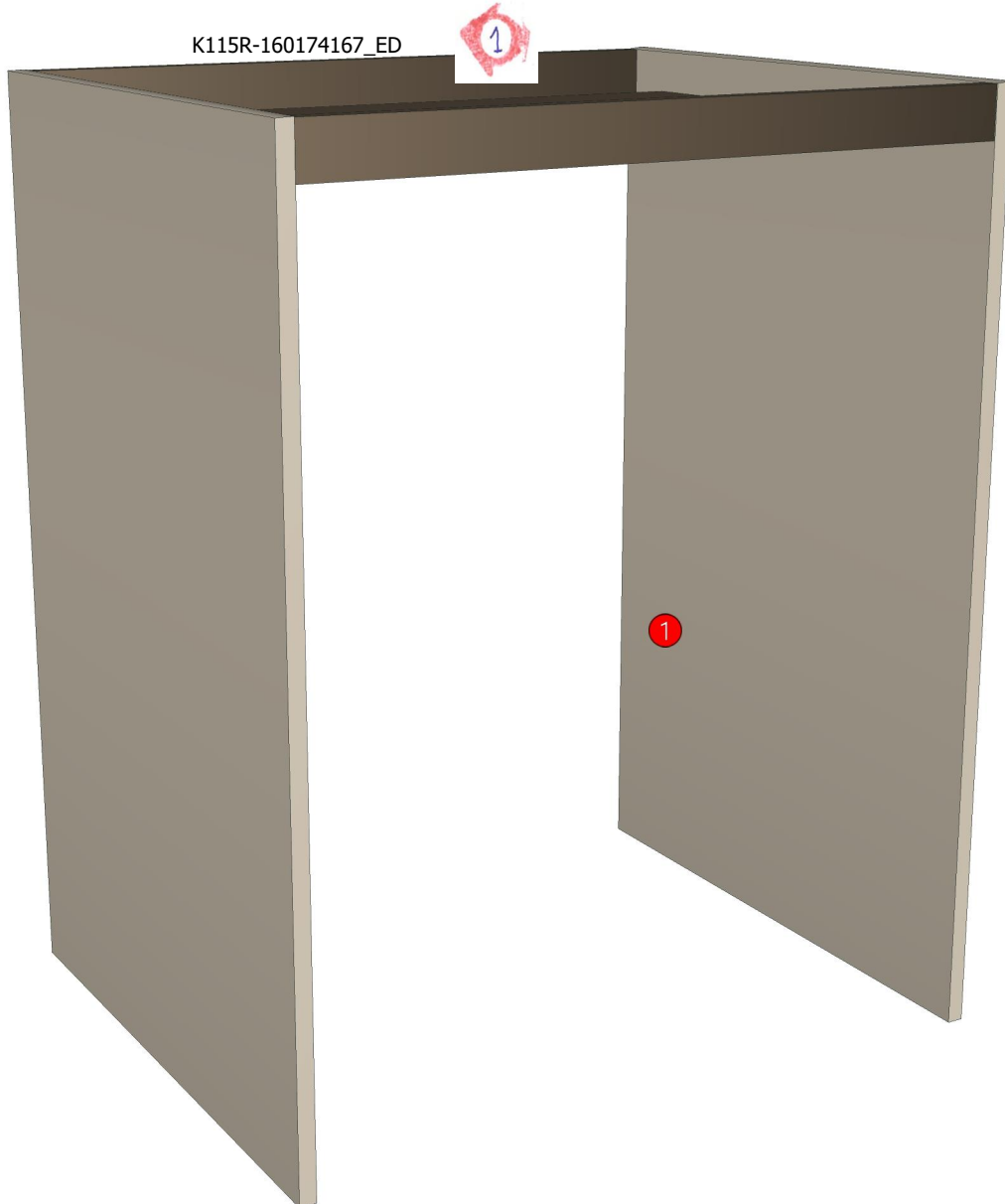
K115R-160174167\_ED

**R&D REVIEW**

- DWG.Customer
- Work Report
- Function
- สินค้าตรงตัวอย่าง

ผู้ทบทวน P.SAWAI

25/8/2563



<b>Model</b>	IVORY_DF_CL300		
<b>Creator</b>	PASATHORN	<b>.BCP Name</b>	INDEX_C3D_KITCHEN2
<b>Reviewer</b>		<b>Order</b>	I003076
<b>Approves</b>	P. SAWAI	<b>Date</b>	08/05/2024

No.	Article No.	Description	Mat	Dimension	Cutting Size	Typepology	Skin
0	IVORY_DF_CL300 IVORY_DF_CL300-01	IVORY_DF_CL300 DF_CL-SP	PB-SP	300x180x16 16x180x300	16X179.4X299.4;L1:W1	183000_STR=20.36_EDG=SAND STONE P7-500 M1-.6	2

<b>Model</b>	IVORY_DF_CL725		
<b>Creator</b>	PASATHORN	<b>.BCP Name</b>	INDEX_C3D_KITCHEN2
<b>Reviewer</b>		<b>Order</b>	I004716
<b>Approves</b>		<b>Date</b>	22/01/2026

## **IVORY\_DF\_CL725-725X16X180**

**Colour**

20.36 ML MD216 (PEARL)\_

-  
-  
-  
-

**Edge**

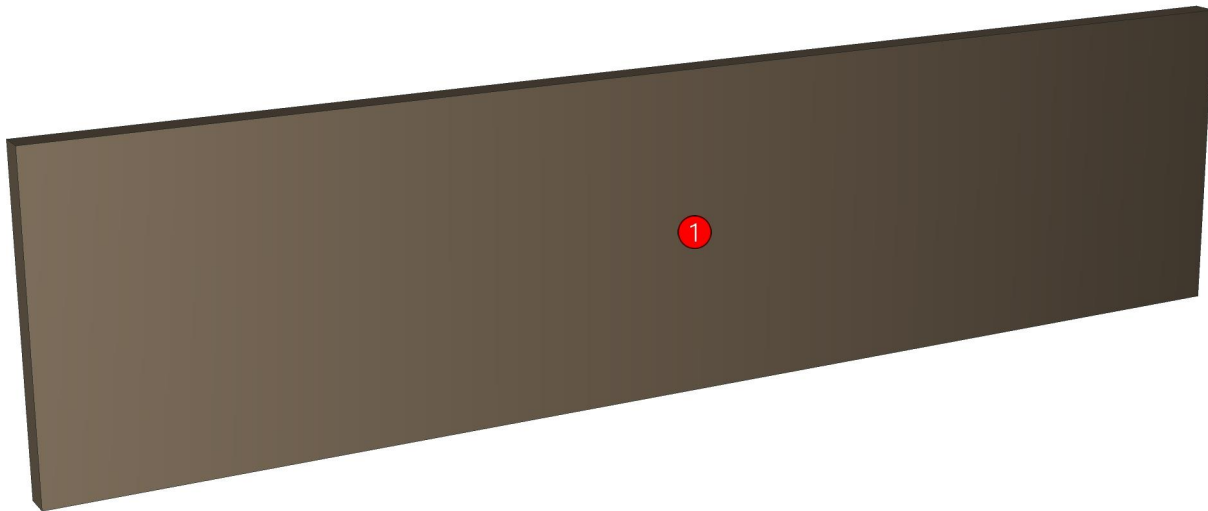
01.476 0.6 SAND STONE P7-500 M1 (73.216) \_

-  
-  
-  
-

<b>R&amp;D REVIEW</b>	
<input checked="" type="checkbox"/>	DWG.Customer
<input checked="" type="checkbox"/>	Work Report
<input type="checkbox"/>	Function
<input type="checkbox"/>	สินค้าตรงตัวอย่าง
ผู้ทบทวน _____	

K111R-160174119

K102L-160173947



<b>Model</b>	IVORY_DF_CL725		
<b>Creator</b>	PASATHORN	<b>.BCP Name</b>	INDEX_C3D_KITCHEN2
<b>Reviewer</b>		<b>Order</b>	I004716
<b>Approves</b>		<b>Date</b>	22/01/2026

No.	Article No.	Description	Mat	Dimension	Cutting Size	Typepology	Skin
0	IVORY_DF_CL725 IVORY_DF_CL725-01	IVORY_DF_CL725 DFCL	PB-SP	725x180x16 16x180x725	16X179.4X723.8;L1:W2	183000_STR=20.36_EDG=SAND STONE P7-500 M1-.6	2

<b>Model</b>	IVORY_DL60HR		
<b>Creator</b>	PASATHORN	<b>.BCP Name</b>	INDEX_C3D_KITCHEN2
<b>Reviewer</b>		<b>Order</b>	I003096
<b>Approves</b>	<i>P.SAWAI</i>	<b>Date</b>	11/05/2024

## IVORY\_DL60HR-600X300X580

**Colour**

05.109 ML.IVORY MD208(PEARL)\_  
20.36 ML MD216 (PEARL)\_

-  
-  
K100L-160169656  
K101L-160169671  
  
K102L-160173947  
K103R-160173964  
  
K105L-160174005  
K106L-160174019

**Edge**

01.475 0.6 MD208 IVORY3995 (11013M1) \_  
01.476 0.6 SAND STONE P7-500 M1 (73.216) \_

-  
-  
K108L-160174046  
K109L-160174061  
K110L-160174078  
  
K119L-160174234  
K120L-160174251  
  
K123L-160174303  
  
K114R-160174156

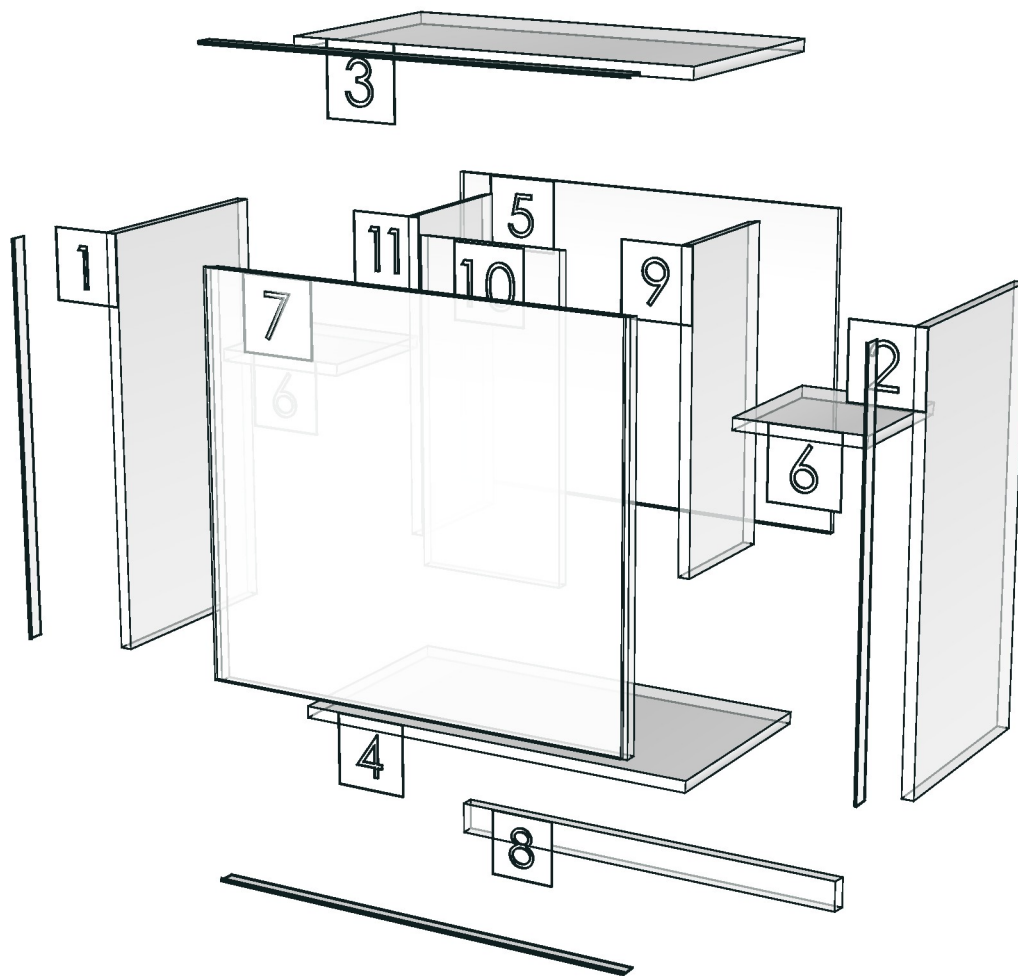
**R&D REVIEW**

- DWG.Customer
- Work Report
- Function
- สิ้นค้าตรงตัวอย่าง

ผู้ทบทวน P.SAWAI  
11/05/2024



<b>Model</b>	-IVORY_DL60HR	<b>.BCP Name</b>	INDEX_C3D_KITCHEN2
<b>Creator</b>		<b>Order</b>	I003096
<b>Reviewer</b>		<b>Date</b>	
<b>Approves</b>	P. SAWAI		



<b>Model</b>	IVORY_DL725LS		
<b>Creator</b>	PASATHORN	<b>.BCP Name</b>	INDEX_C3D_KITCHEN2
<b>Reviewer</b>		<b>Order</b>	I004768
<b>Approves</b>	<i>P.SAWAI</i>	<b>Date</b>	30/01/2026

## **IVORY\_DL725LS-725X300X625**

### **Colour**

05.109 ML.IVORY MD208(PEARL)\_

20.36 ML MD216 (PEARL)\_

-

-

-

### **Edge**

01.475 0.6 MD208 IVORY3995 (11013M1) \_

01.476 0.6 SAND STONE P7-500 M1 (73.216) \_

-

-

-

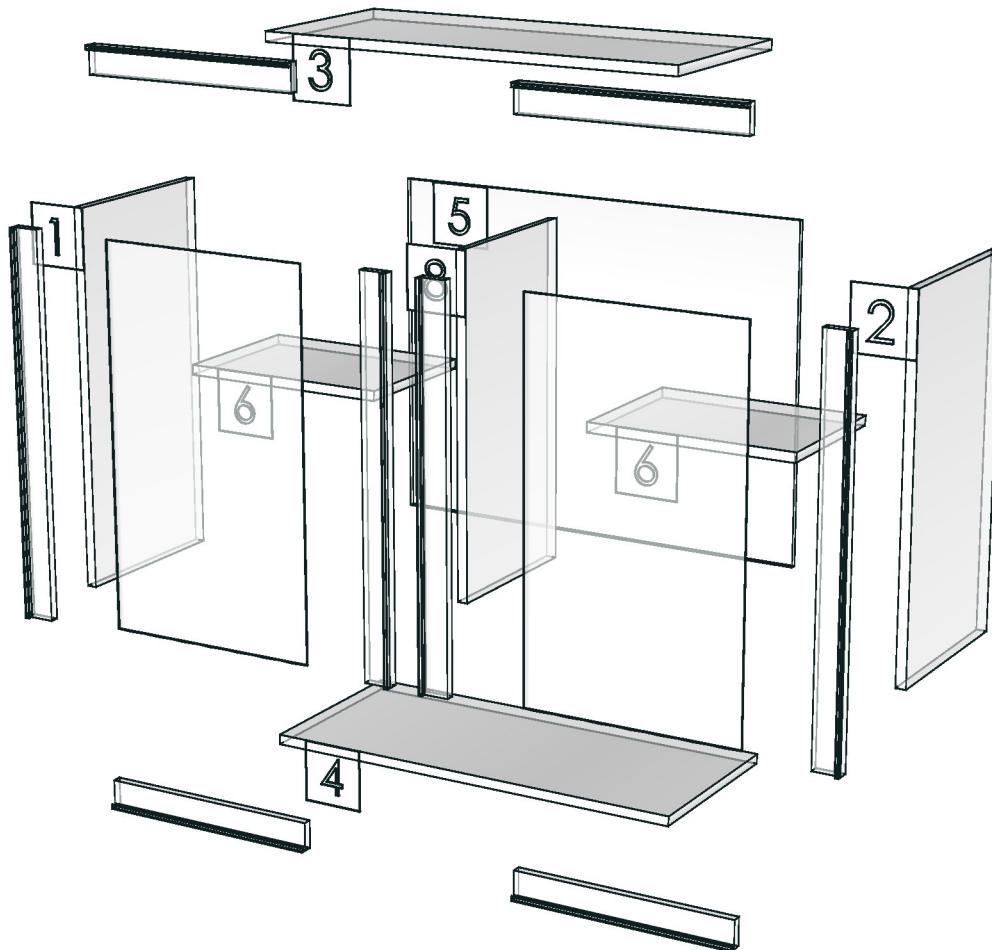
<b>R&amp;D REVIEW</b>	
<input checked="" type="checkbox"/>	DWG.Customer
<input checked="" type="checkbox"/>	Work Report
<input type="checkbox"/>	Function
<input type="checkbox"/>	สินค้าตรงตัวอย่าง
ผู้ทบทวน <u>P.SAWAI</u>	
<u>30/01/2026</u>	

K111R-160174119

K102L-160173947



<b>Model</b>	-IVORY_DL725LS		
<b>Creator</b>		<b>.BCP Name</b>	INDEX_C3D_KITCHEN2
<b>Reviewer</b>		<b>Order</b>	I004768
<b>Approves</b>	P.SAWAI	<b>Date</b>	



<b>Model</b>	IVORY_DL725RS		
<b>Creator</b>	PASATHORN	<b>.BCP Name</b>	INDEX_C3D_KITCHEN2
<b>Reviewer</b>		<b>Order</b>	I004769
<b>Approves</b>	P.SAWAI	<b>Date</b>	30/01/2026

## **IVORY\_DL725RS-725X300X625**

### **Colour**

05.109 ML.IVORY MD208(PEARL)\_

20.36 ML MD216 (PEARL)\_

-

-

-

### **Edge**

01.475 0.6 MD208 IVORY3995 (11013M1) \_

01.476 0.6 SAND STONE P7-500 M1 (73.216) \_

-

-

-

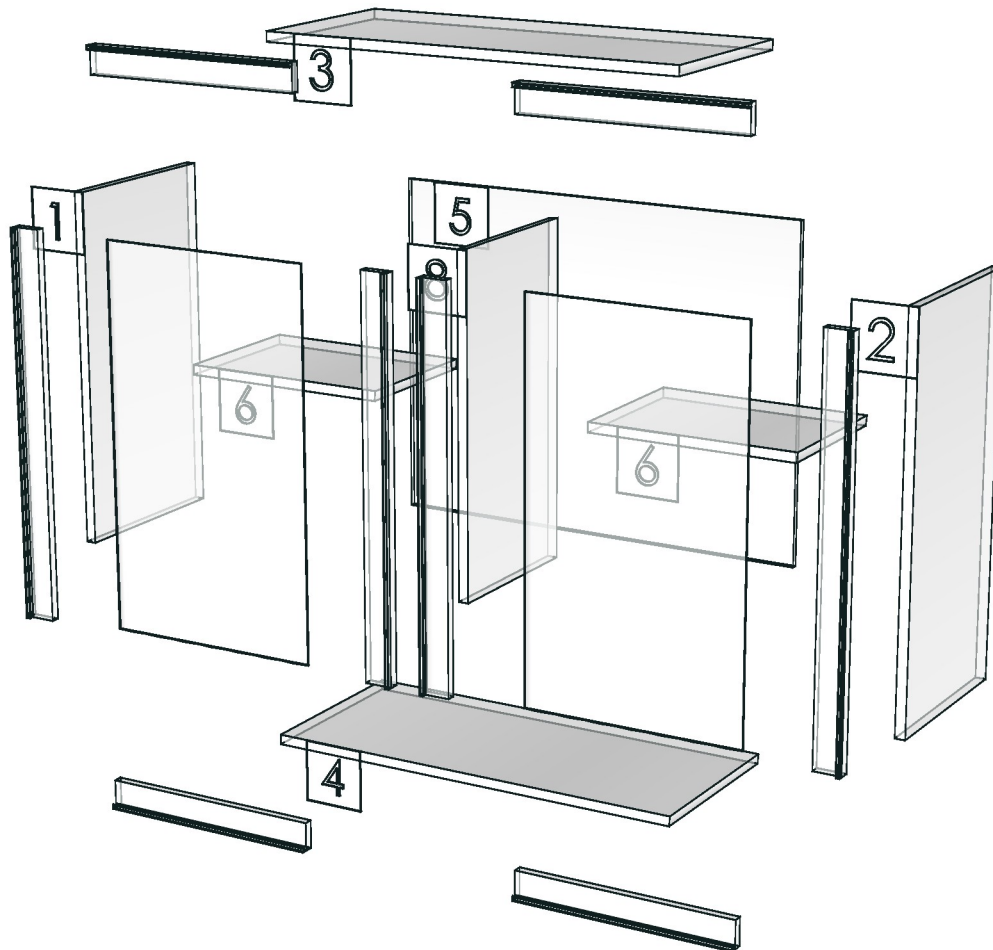
<b>R&amp;D REVIEW</b>	
<input checked="" type="checkbox"/>	DWG.Customer
<input checked="" type="checkbox"/>	Work Report
<input type="checkbox"/>	Function
<input type="checkbox"/>	สินค้าตรงตัวอย่าง
ผู้ทบทวน <u>P.SAWAI</u>	
<u>30/01/2026</u>	

K111R-160174119

K102L-160173947



<b>Model</b>	-IVORY_DL725RS		
<b>Creator</b>		<b>.BCP Name</b>	INDEX_C3D_KITCHEN2
<b>Reviewer</b>		<b>Order</b>	I004769
<b>Approves</b>	P.SAWAI	<b>Date</b>	



<b>Model</b>	IVORY_DLOMV60		
<b>Creator</b>	PASATHORN	<b>.BCP Name</b>	INDEX_C3D_KITCHEN2
<b>Reviewer</b>		<b>Order</b>	I003102
<b>Approves</b>	<i>P.SAWAI</i>	<b>Date</b>	13/05/2024

## IVORY\_DLOMV60-600X380X625

**Colour**

05.109 ML.IVORY MD208(PEARL)\_  
20.36 ML MD216 (PEARL)\_  
05.01 ML WHITE VM1012 18/18\_

-  
K100L-160169656  
K100R-160173917  
K101L-160169671  
K101R-160173932  
K102L-160173947  
K103R-160173964  
K104R-160173983  
K105L-160174005

K107R-160174032

**Edge**

01.475 0.6 MD208 IVORY3995 (11013M1) \_  
01.476 0.6 SAND STONE P7-500 M1 (73.216) \_

-  
-  
-

K109L-160174061  
K110L-160174078  
K111R-160174119

K115R-160174167\_F

K116R-160174181

K117R-160174203

K120L-160174251\_F  
K121R-160174265\_I  
K122R-160174284\_I  
K123L-160174303\_F  
K123R-160174419\_L

**R&D REVIEW**

DWG.Customer

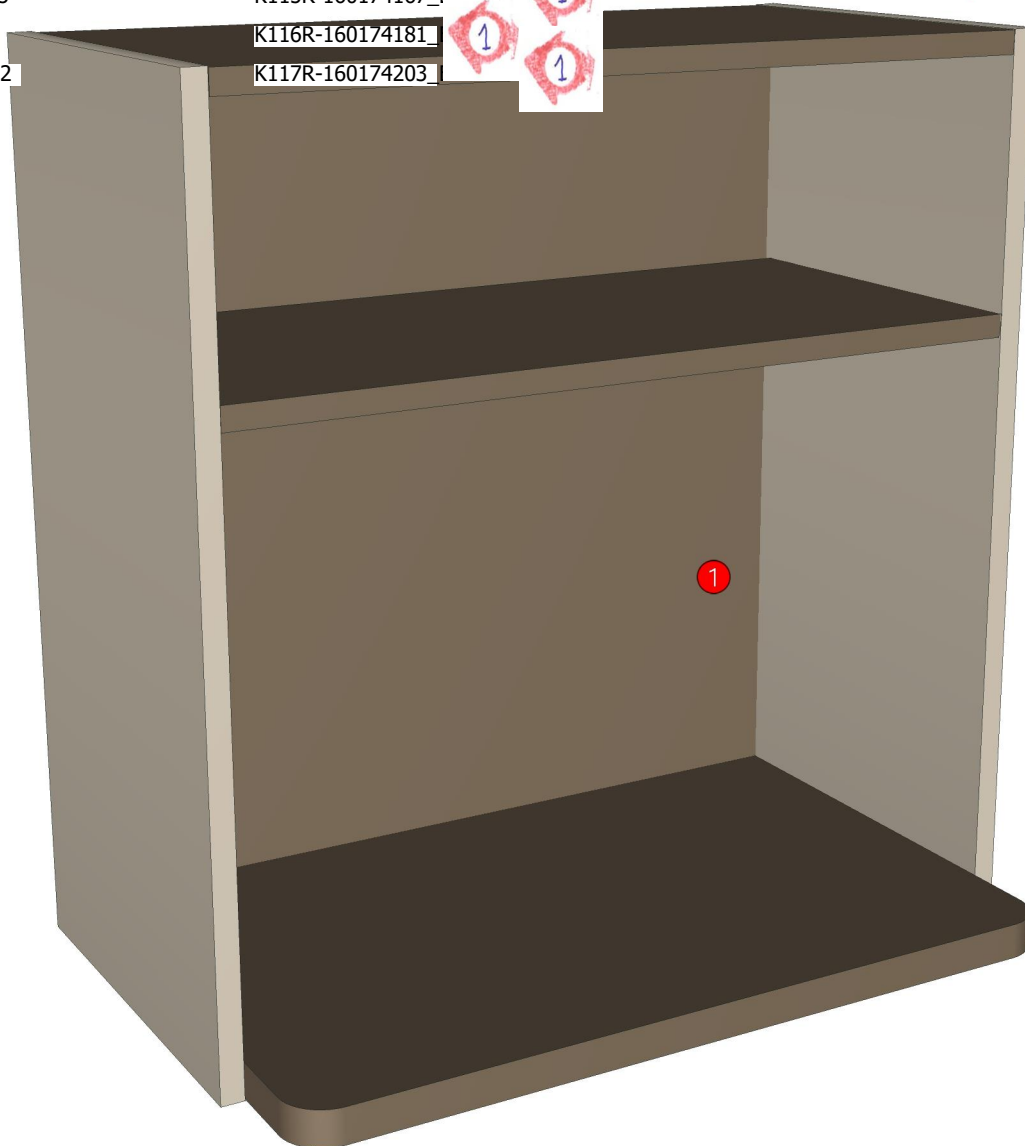
Work Report

Function

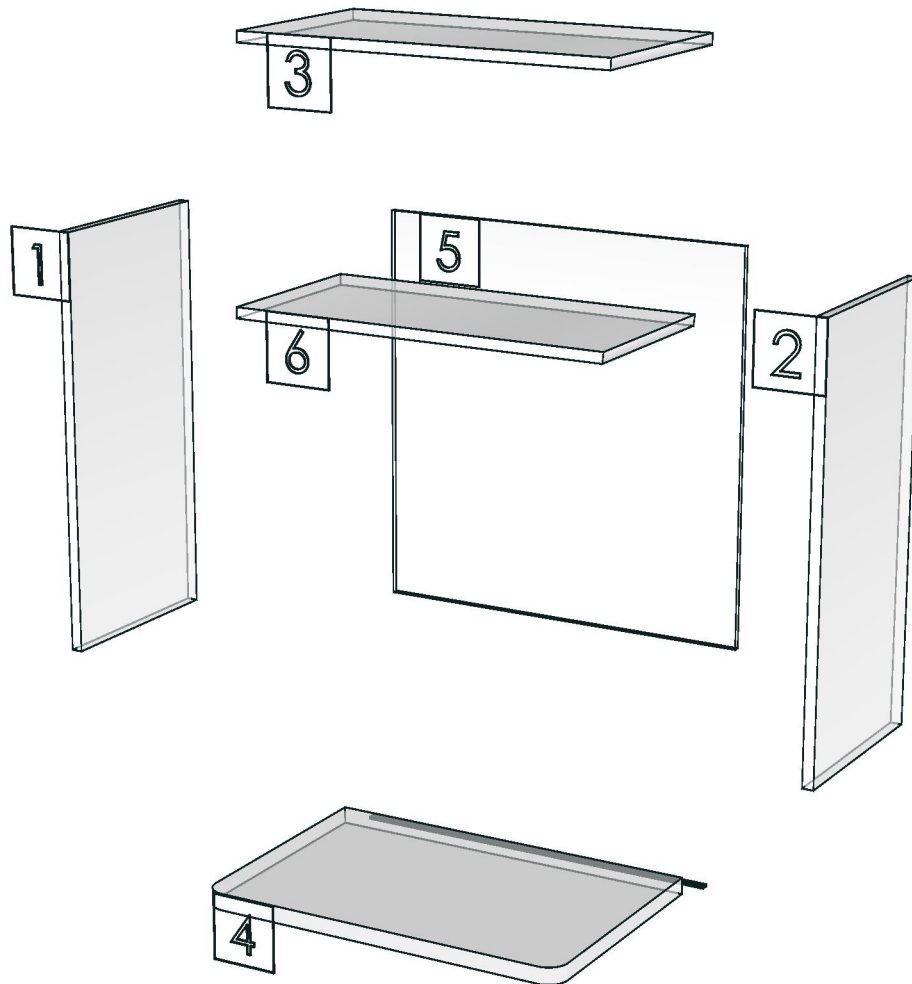
สินค้าตรงตัวอย่าง

ผู้ทบทวน P.SAWAI

25/5/24



<b>Model</b>	-IVORY_DLOMV60		
<b>Creator</b>		<b>.BCP Name</b>	INDEX_C3D_KITCHEN2
<b>Reviewer</b>		<b>Order</b>	I003102
<b>Approves</b>	P.SAWAI	<b>Date</b>	



<b>Model</b>	IVORY_DUT2000		
<b>Creator</b>	PASATHORN	<b>.BCP Name</b>	INDEX_C3D_KITCHEN2
<b>Reviewer</b>		<b>Order</b>	I004703
<b>Approves</b>		<b>Date</b>	22/01/2026

## **IVORY\_DUT2000-2000X60X12**

### **Colour**

05.01 ML WHITE VM1012 18/18\_

-  
-  
-  
-

### **Edge**

01.24 0.6 WHITE \_

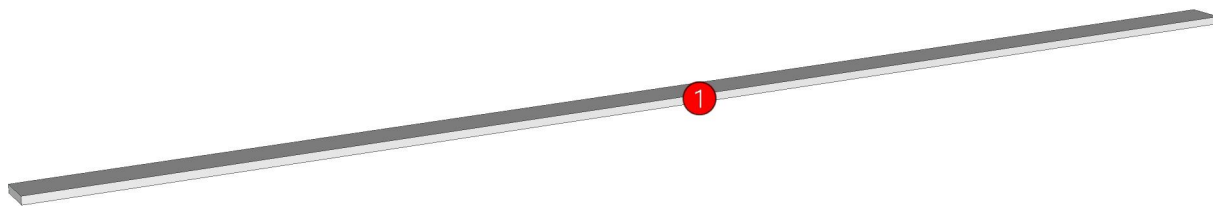
-  
-  
-  
-

<b>R&amp;D REVIEW</b>	
<input checked="" type="checkbox"/>	DWG.Customer
<input checked="" type="checkbox"/>	Work Report
<input type="checkbox"/>	Function
<input type="checkbox"/>	สินค้าตรงตัวอย่าง
ผู้ทบทวน _____	
_____	

K102L-160173947

K104R-160173983

K105L-160174005



<b>Model</b>	IVORY_DUT2000		
<b>Creator</b>	PASATHORN	<b>.BCP Name</b>	INDEX_C3D_KITCHEN2
<b>Reviewer</b>		<b>Order</b>	I004703
<b>Approves</b>		<b>Date</b>	22/01/2026

No.	Article No.	Description	Mat	Dimension	Cutting Size	Typepology	Skin
0	IVORY_DUT2000 IVORY_DUT2000-01	IVORY_DUT2000 DUT-SP	PB-SP	2000x12x60 12x60x2000	12X58.8X2000;L2:W0	182000_STR=05.01_EDG=WHITE-.6	2

<b>Model</b>	IVORY_DUT500		
<b>Creator</b>	PASATHORN	<b>.BCP Name</b>	INDEX_C3D_KITCHEN2
<b>Reviewer</b>		<b>Order</b>	I003067
<b>Approves</b>	P.SAWAI	<b>Date</b>	07/05/2024

## IVORY\_DUT500-500X60X12

**Colour**

05.01 ML WHITE VM1012 18/18\_

- 
- 
- 
- K100L-160169656
- K100R-160173917
- K101L-160169671
- K101R-160173932
- K102L-160173947
- K103R-160173964
- K104R-160173983
- K105L-160174005
- K106L-160174019
- K107R-160174032

**Edge**

01.24 0.6 WHITE \_

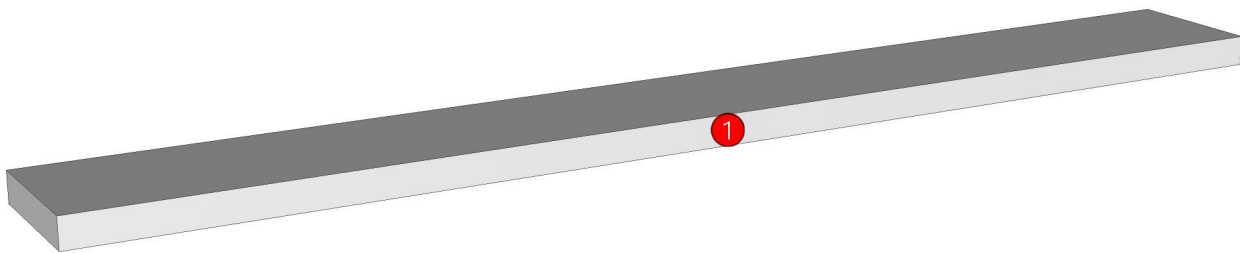
- 
- 
- 
- K108L-160174046
- K109L-160174061
- K110L-160174078
- K111R-160174119
- K112R-160174137\_I
- K113R-160174146\_I
- K114R-160174156\_I
- K115R-160174167\_I
- K116R-160174181\_I
- K117R-160174203\_I
- K118R-160174224\_I
- K119L-160174234\_E
- K120L-160174251\_E
- K121R-160174265\_I
- K122R-160174284\_I
- K123L-160174303\_E
- K123R-160174419\_L

**R&D REVIEW**

- DWG.Customer
- Work Report
- Function
- สินค้าตรงตัวอย่าง

ผู้ทบทวน P.SAWAI

25/8/2563



<b>Model</b>	IVORY_DUT500		
<b>Creator</b>	PASATHORN	<b>.BCP Name</b>	INDEX_C3D_KITCHEN2
<b>Reviewer</b>		<b>Order</b>	I003067
<b>Approves</b>	P. SAWAI	<b>Date</b>	07/05/2024

No.	Article No.	Description	Mat	Dimension	Cutting Size	Typepology	Skin
0	IVORY_DUT500 IVORY_DUT500-01	IVORY_DUT500 DUT-SP	PB-SP	500x12x60 12x60x500	12X58.8X500;L2:W0	182000_STR=05.01_EDG=WHITE-.6	2

<b>Model</b>	IVORY_DUT800		
<b>Creator</b>	PASATHORN	<b>.BCP Name</b>	INDEX_C3D_KITCHEN2
<b>Reviewer</b>		<b>Order</b>	I004699
<b>Approves</b>	P.SAWAI	<b>Date</b>	22/01/2026

## **IVORY\_DUT800-800X60X12**

### **Colour**

05.01 ML WHITE VM1012 18/18\_

-

-

-

-

K102L-160173947

### **Edge**

01.24 0.6 WHITE \_

-

-

-

-

K108L-160174046

K109L-160174061

K119L-160174234\_E

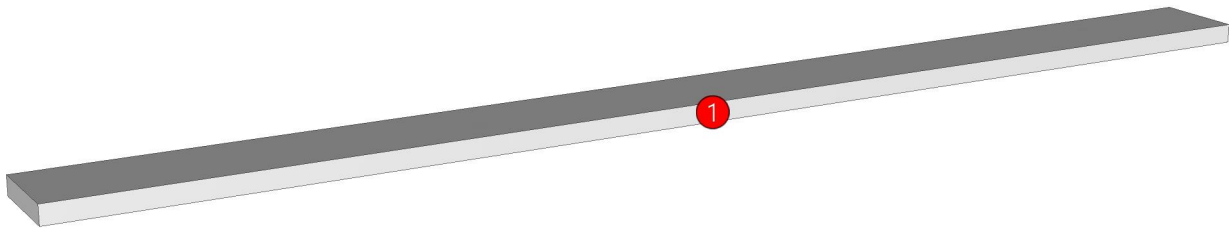
K112R-160174137\_I

K113R-160174146\_I

**R&D REVIEW**

- DWG.Customer
- Work Report
- Function
- สินค้าตรงตัวอย่าง

ผู้ทบทวน P.SAWAI  
22/01/2026



<b>Model</b>	IVORY_DUT800		
<b>Creator</b>	PASATHORN	<b>.BCP Name</b>	INDEX_C3D_KITCHEN2
<b>Reviewer</b>		<b>Order</b>	I004699
<b>Approves</b>	P. SAWAI	<b>Date</b>	22/01/2026

No.	Article No.	Description	Mat	Dimension	Cutting Size	Typepology	Skin
0	IVORY_DUT800 IVORY_DUT800-01	IVORY_DUT800 DUT-SP	PB-SP	800x12x60 12x60x800	12X58.8X800;L2:W0	182000_STR=05.01_EDG=WHITE-.6	2

<b>Model</b>	IVORY_D_PLT1968		
<b>Creator</b>	PASATHORN	<b>.BCP Name</b>	INDEX_C3D_KITCHEN2
<b>Reviewer</b>		<b>Order</b>	I003075
<b>Approves</b>		<b>Date</b>	07/05/2024

## **IVORY\_D\_PLT1968-1968X9X100**

**Colour**

20.36 ML MD216 (PEARL)\_

-  
-  
-  
-

**Edge**

01.476 0.6 SAND STONE P7-500 M1 (73.216) \_

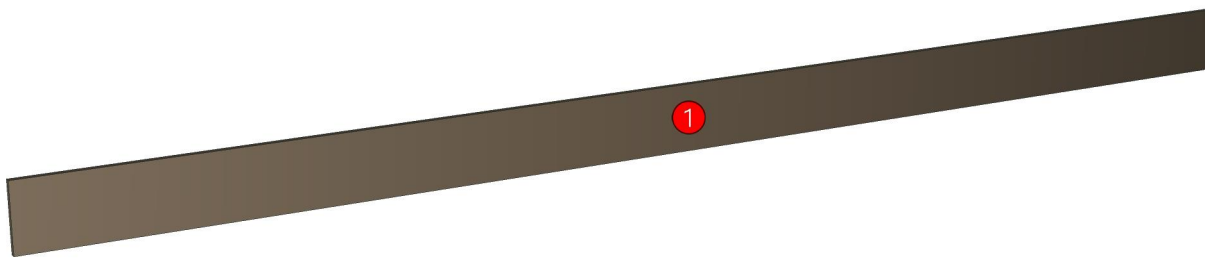
-  
-  
-  
-

**R&D REVIEW**

- DWG.Customer
- Work Report
- Function
- สินค้าตรงตัวอย่าง

ผู้ทบทวน \_\_\_\_\_

K102L-160173947



<b>Model</b>	IVORY_D_PLT1968		
<b>Creator</b>	PASATHORN	<b>.BCP Name</b>	INDEX_C3D_KITCHEN2
<b>Reviewer</b>		<b>Order</b>	I003075
<b>Approves</b>		<b>Date</b>	07/05/2024

No.	Article No.	Description	Mat	Dimension	Cutting Size	Typepology	Skin
0	IVORY_D_PLT1968	IVORY_D_PLT1968		1968x100x9			
	IVORY_D_PLT1968-01	D_PLINT-SP	PB-SP	9x100x1968	9X98.8X1966.8;L2:W2	183000_STR=20.36_EDG=SAND STONE P7-500 M1-.6	2

<b>Model</b>	IVORY_LED1418R		
<b>Creator</b>	PASATHORN	<b>.BCP Name</b>	INDEX_C3D_KITCHEN2
<b>Reviewer</b>		<b>Order</b>	I004747
<b>Approves</b>	P.SAWAI	<b>Date</b>	27/01/2026

## **IVORY\_LED1418R-1418X299X49**

**Colour**

20.36 ML MD216 (PEARL)\_

-  
-  
-  
-

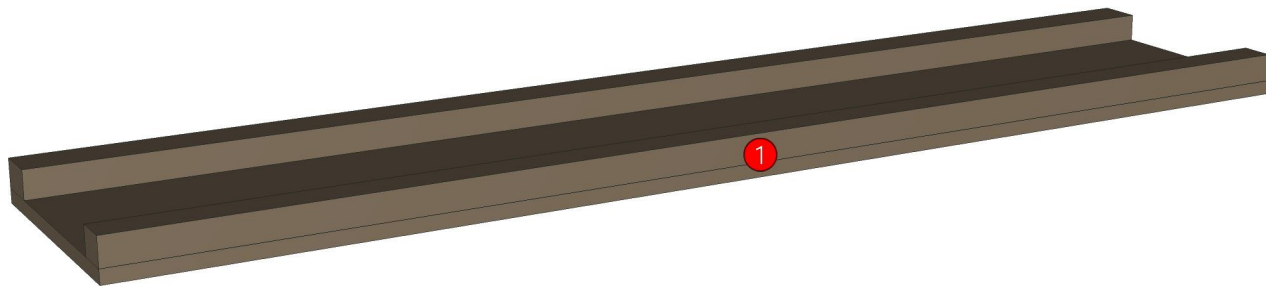
**Edge**

01.476 0.6 SAND STONE P7-500 M1 (73.216) \_

-  
-  
-  
-

<b>R&amp;D REVIEW</b>	
<input checked="" type="checkbox"/>	DWG.Customer
<input checked="" type="checkbox"/>	Work Report
<input type="checkbox"/>	Function
<input type="checkbox"/>	สินค้าตรงตัวอย่าง
ผู้ทบทวน <u>P.SAWAI</u>	
<u>27/01/2026</u>	

K102L-160173947



<b>Model</b>	IVORY_LED1418R		
<b>Creator</b>	PASATHORN	<b>.BCP Name</b>	INDEX_C3D_KITCHEN2
<b>Reviewer</b>		<b>Order</b>	I004747
<b>Approves</b>	P. SAWAI	<b>Date</b>	27/01/2026

No.	Article No.	Description	Mat	Dimension	Cutting Size	Typepology	Skin
0	IVORY_LED1418R	IVORY_LED1418R		1418x49x299			
	IVORY_LED1418R-01	LEDBOX-SP	PB-SP	48x299x1418	L2:W0	50000_STR=20.36_EDG=SAND STONE P7-500 M1-.6	2
	IVORY_LED1418R-01A	FLOOR BOX	PB-SP	16x299x1418	16X299X1418;NO EDGE	182000_STR=20.36_EDG=-	2
	IVORY_LED1418R-01B	Front SUPPORT BOX	PB-ST	32x40x1418	32X40X1418;NO EDGE	182001_STR=20.36_EDG=-	2
	IVORY_LED1418R-01C	BACK SUPPORT BOX	PB-ST	32x50x1418	32X50X1418;NO EDGE	182002_STR=20.36_EDG=-	2