

Model	PLUS_UD_DB168L		
Creator	CHALEAMPHON	.BCP Name	INDEX_C3D_KITCHEN2
Reviewer		Order	H002202
Approves		Date	05/01/2026

PLUS_UD_DB168L-1680X570X738

Colour

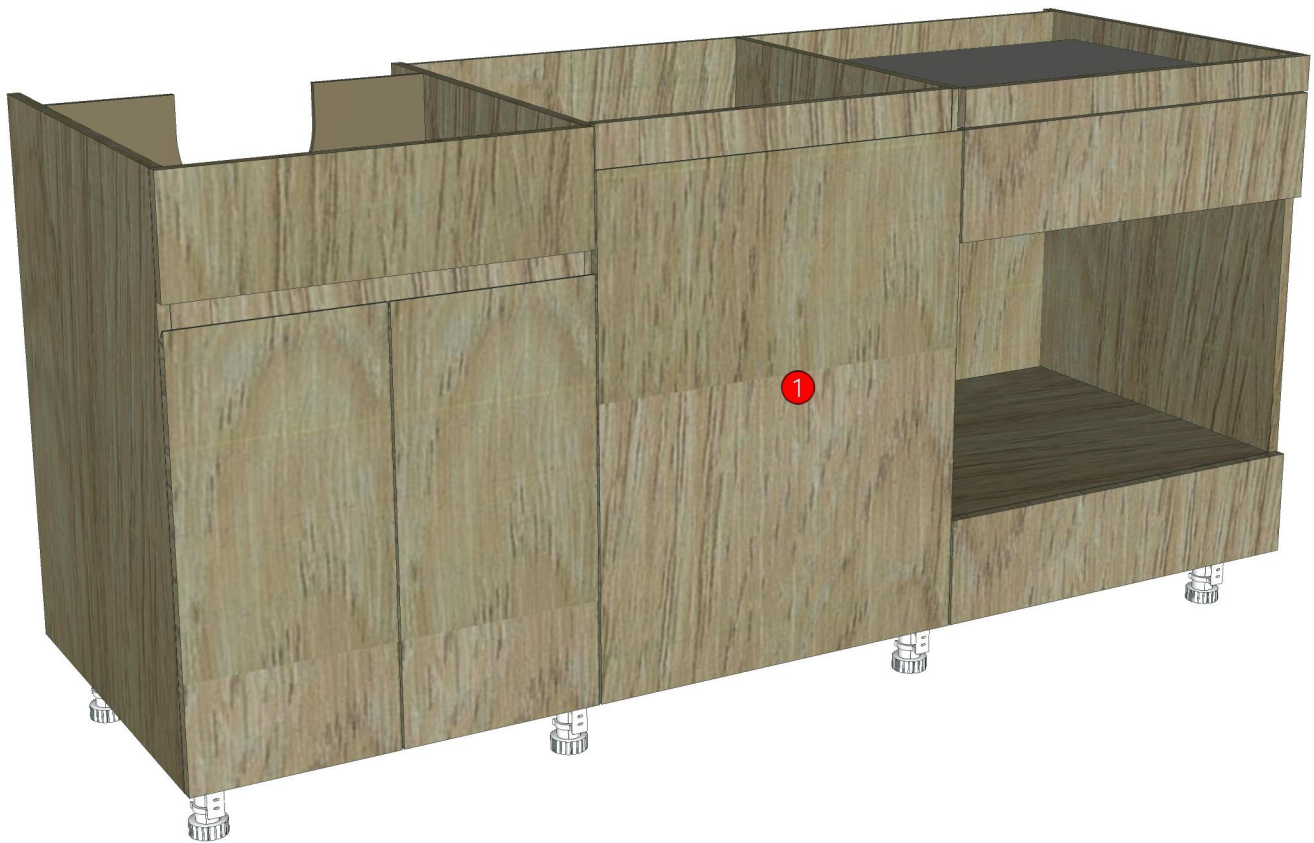
05.111=ML.INDIAN ELIM MD762 (EVELYN)

Edge

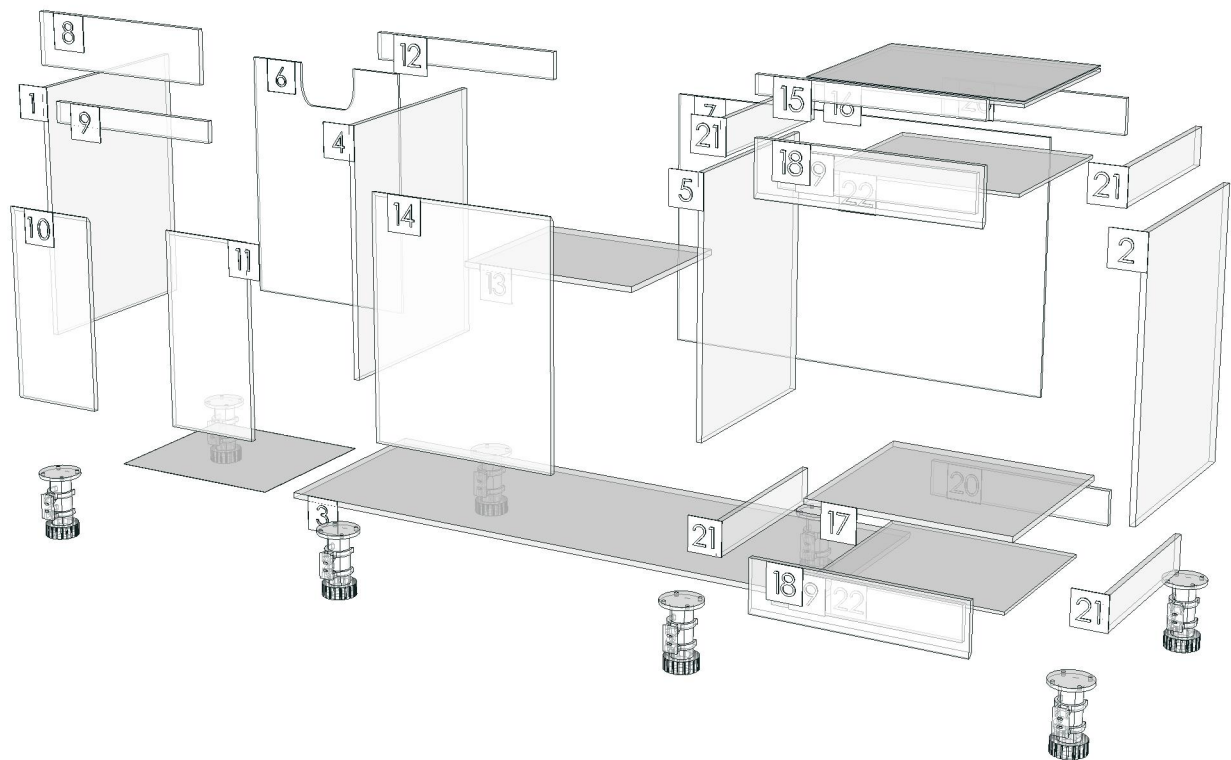
01.407=1 AR8



K70L-160171061



Model	-		
Creator	CHALEAMPHON	.BCP Name	INDEX_C3D_KITCHEN2
Reviewer		Order	H002202
Approves		Date	05/01/2026



Model	PLUS_UD_DBC105_50R		
Creator	CHALEAMPHON	.BCP Name	INDEX_C3D_KITCHEN2
Reviewer		Order	H002173
Approves		Date	25/11/2025

PLUS_UD_DBC105_50R-1050X570X738

Colour

05.111=ML.INDIAN ELIM MD762 (EVELYN)

Edge

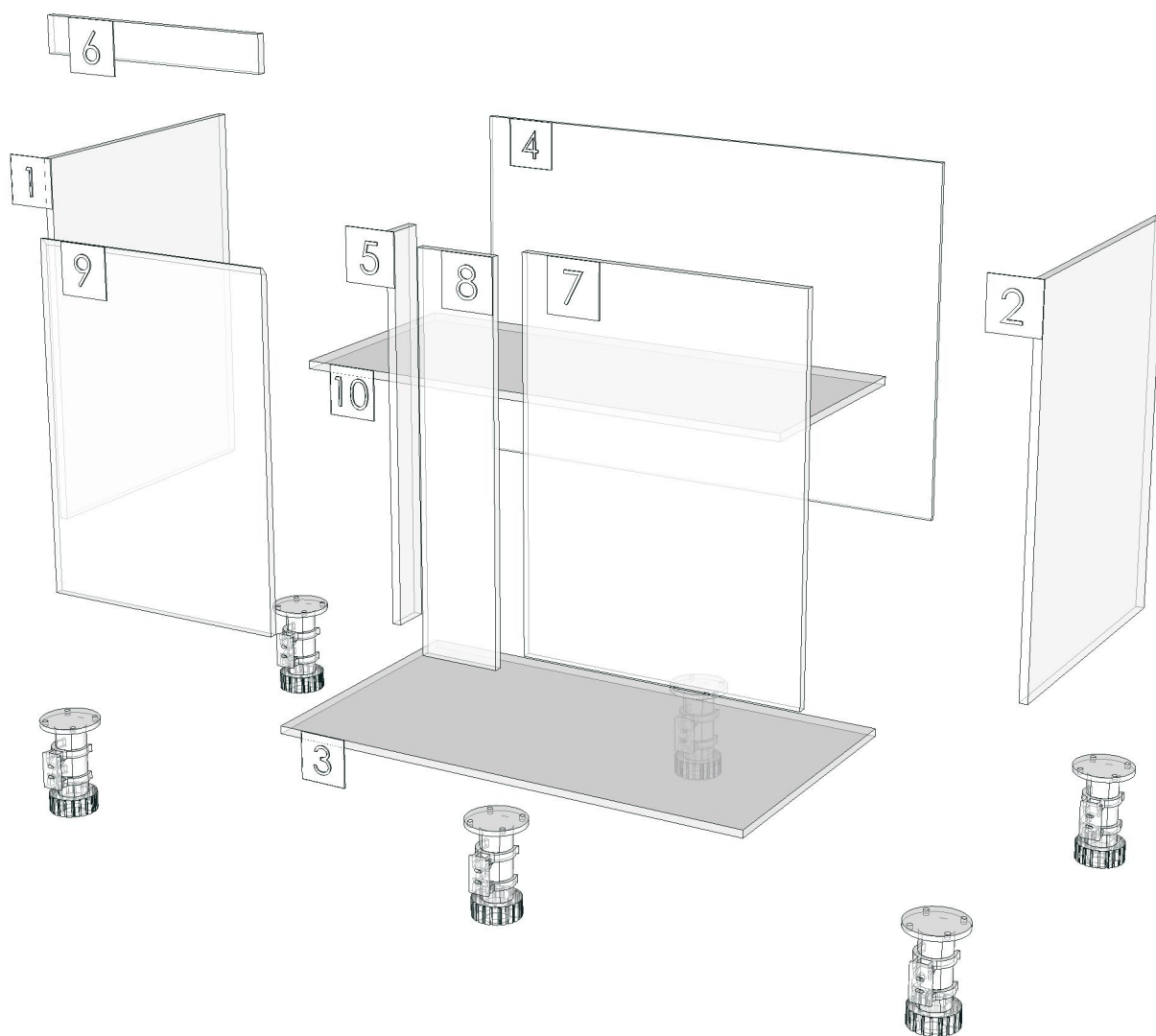
01.407=1 AR8



K70L-160171061



Model	-		
Creator	CHALEAMPON	.BCP Name	INDEX_C3D_KITCHEN2
Reviewer		Order	H002173
Approves		Date	25/11/2025



Model	PLUS_UD_DEP(B)S		
Creator	CHALEAMPON	.BCP Name	INDEX_C3D_KITCHEN2
Reviewer		Order	H002089
Approves		Date	27/10/2025

PLUS_UD_DEP(B)S-16X100X738

Colour

05.111=ML.INDIAN ELIM MD762 (EVELYN)

Edge

01.407=1 AR8

R&D REVIEW	
<input checked="" type="checkbox"/>	DWG.Customer
<input checked="" type="checkbox"/>	Work Report
<input type="checkbox"/>	Function
<input type="checkbox"/>	สินค้าตรงตัวอย่าง
ผู้ทบทวน <u>P.SAWAI</u>	
<u>27/10/25</u>	

K70L-160171061



Model	PLUS_UD_DEP(B)S		
Creator	CHALEAMPHON	.BCP Name	INDEX_C3D_KITCHEN2
Reviewer		Order	H002089
Approves		Date	27/10/2025

No.	Article No.	Description	Mat	Dimension	Cutting Size	Typepology	Skin
0	PLUS_UD_DEP(B)S PLUS_UD_DEP(B)S-01	DEP(B)S	PB-ST	16x738x100 16x100x738	16X98X736;L2:W2	181000_STR=05.111_EDG=AR8-1	2

Model	PLUS_UD_DEP(L)BT		
Creator	CHALEAMPON	.BCP Name	INDEX_C3D_KITCHEN2
Reviewer		Order	H002090
Approves		Date	27/10/2025

PLUS_UD_DEP(L)BT-16X300X650

Colour

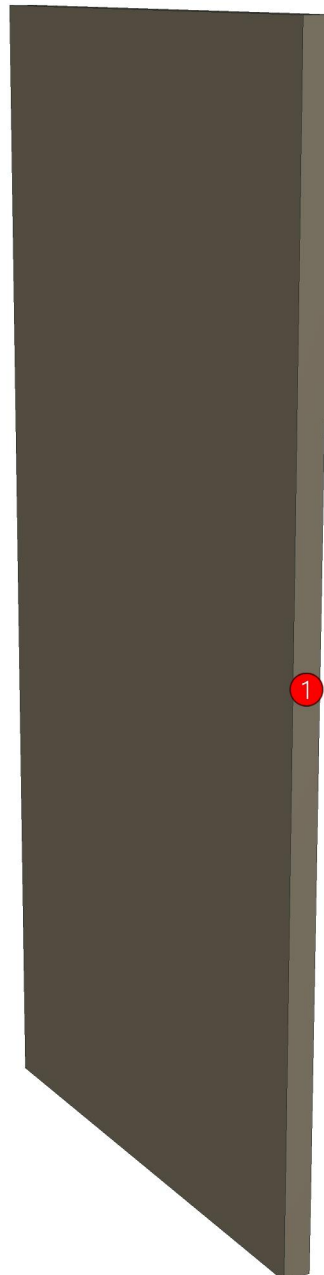
05.74=ML.LIGHT TAUPE BT9 (PEARL)

Edge

01.393=1 BT9



K70L-160171061



Model	PLUS_UD_DEP(L)BT		
Creator	CHALEAMPHON	.BCP Name	INDEX_C3D_KITCHEN2
Reviewer		Order	H002090
Approves		Date	27/10/2025

No.	Article No.	Description	Mat	Dimension	Cutting Size	Typepology	Skin
0	PLUS_UD_DEP(L)BT PLUS_UD_DEP(L)BT-02	DEP(L)BT	PB-ST	16x650x300 16x300x650	16X298X648;L2:W2	181000_STR=05.74_EDG=BT9-1	2

Model	PLUS_UD_DFB		
Creator	CHALEAMPON	.BCP Name	INDEX_C3D_KITCHEN2
Reviewer		Order	H000995
Approves		Date	26/06/2024

PLUS_UD_DFB-150X570X738

Colour

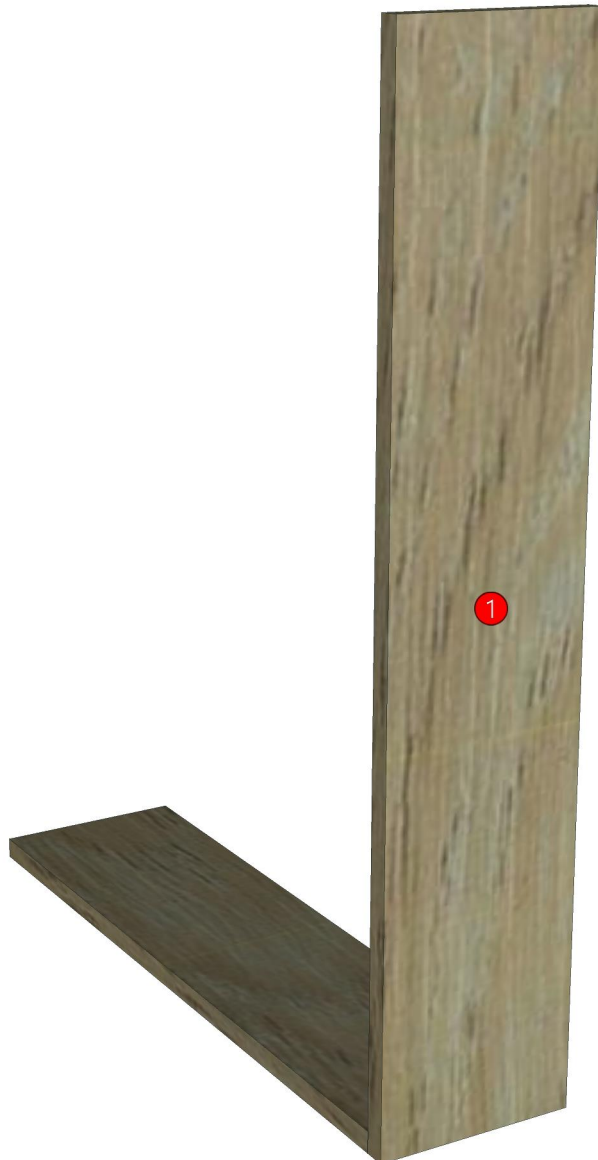
05.111=ML.INDIAN ELIM MD762 (EVELYN)

Edge

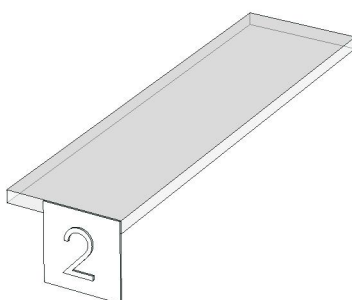
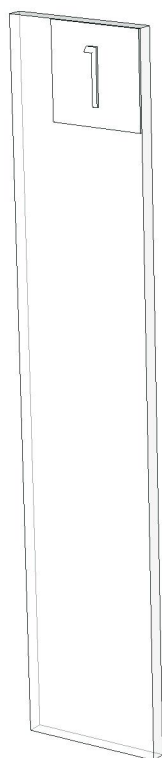
01.407=1 AR8



K70L-160171061
K40L-160175286
K200L-160177857



Model	-PLUS_UD		
Creator	CHALEAMPHON	.BCP Name	INDEX_C3D_KITCHEN2
Reviewer		Order	H000995
Approves		Date	26/06/2024



Model	PLUS_UD_DFL(BT)		
Creator	CHALEAMPHON	.BCP Name	INDEX_C3D_KITCHEN2
Reviewer		Order	H002092
Approves		Date	28/10/2025

PLUS_UD_DFL(BT)-150X300X650

Colour

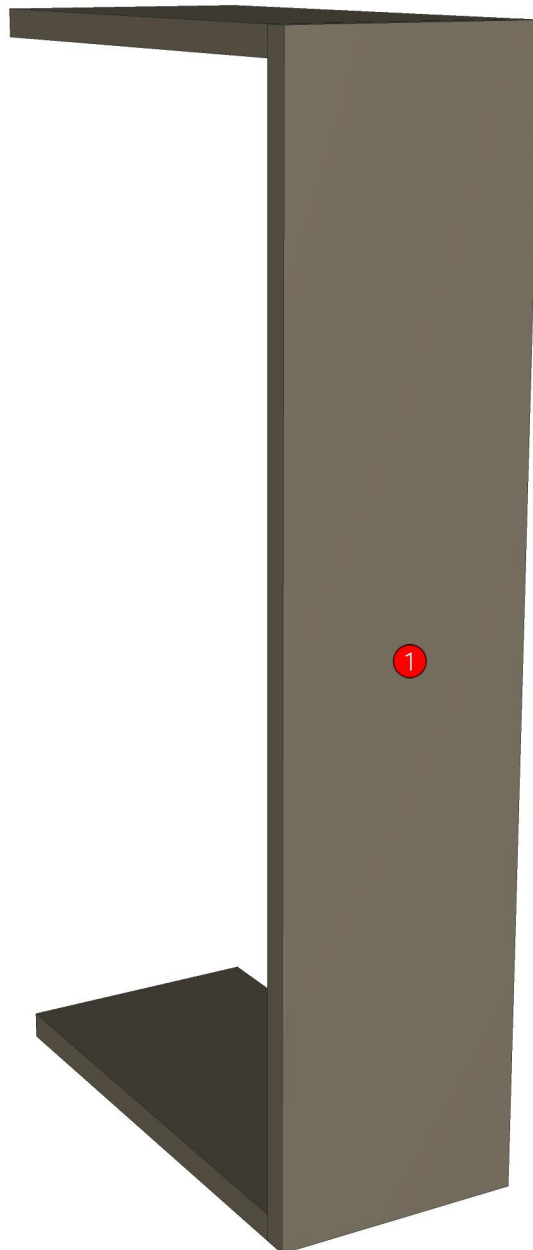
05.74=ML.LIGHT TAUPE BT9 (PEARL)

Edge

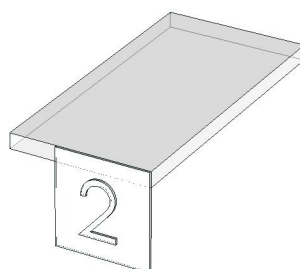
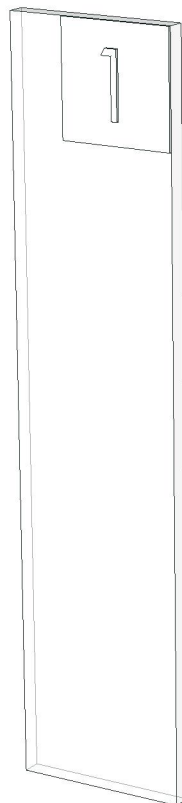
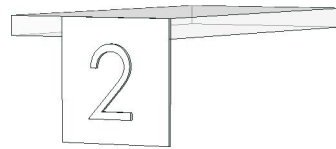
01.393=1 BT9



K70L-160171061
K40L-160175286
K200L-160177857



Model	-		
Creator	CHALEAMPON	.BCP Name	INDEX_C3D_KITCHEN2
Reviewer		Order	H002092
Approves		Date	28/10/2025



Model	PLUS_UD_DL195L_BT		
Creator	CHALEAMPHON	.BCP Name	INDEX_C3D_KITCHEN2
Reviewer		Order	H002203
Approves		Date	06/01/2026

PLUS_UD_DL195L_BT-1950X300X650

Colour

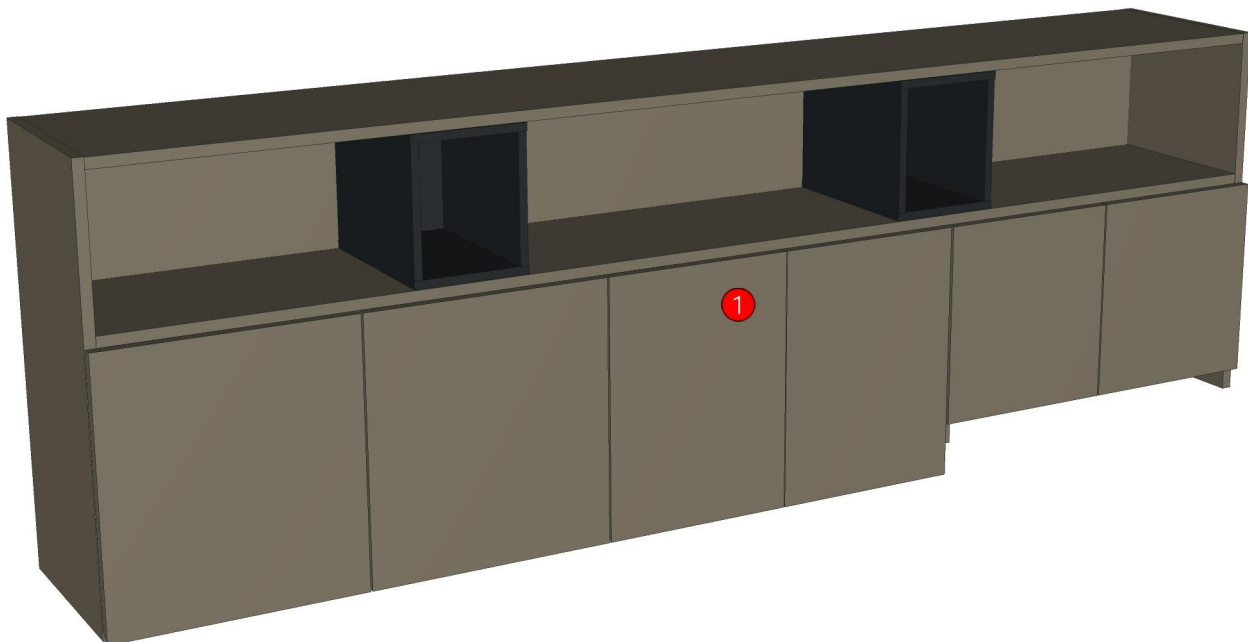
05.74=ML.LIGHT TAUPE BT9 (PEARL)
20.14=ML GRAPHITE # MK3200 (PEARL)
05.01=ML WHITE VM1012 18/18

Edge

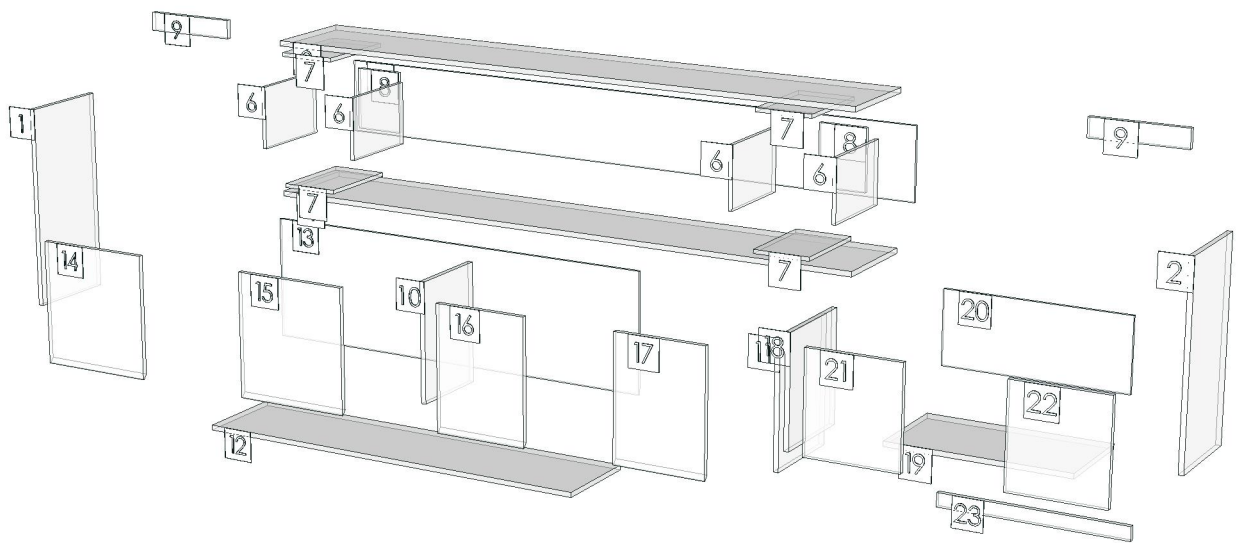
01.393=1 BT9
01.206=1 GRAPHITE MD204



K70L-160171061



Model	-		
Creator	CHALEAMPHON	.BCP Name	INDEX_C3D_KITCHEN2
Reviewer		Order	H002203
Approves		Date	06/01/2026



Model	PLUS_UD_DLC105_75RBT		
Creator	CHALEAMPHON	.BCP Name	INDEX_C3D_KITCHEN2
Reviewer		Order	H002081
Approves		Date	23/10/2025

PLUS_UD_DLC105_75RBT-1050X300X650

Colour

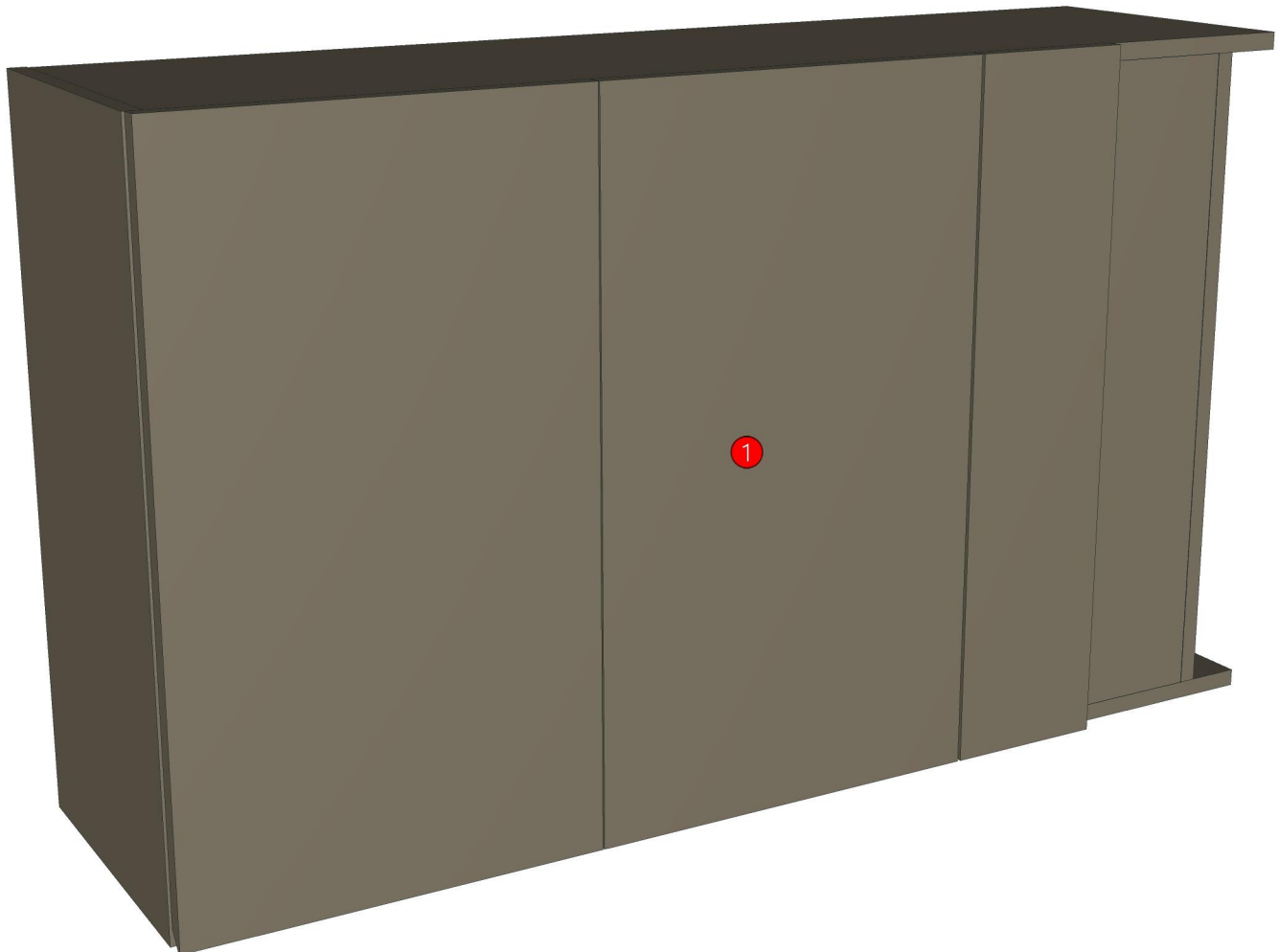
05.74=ML.LIGHT TAUPE BT9 (PEARL)

Edge

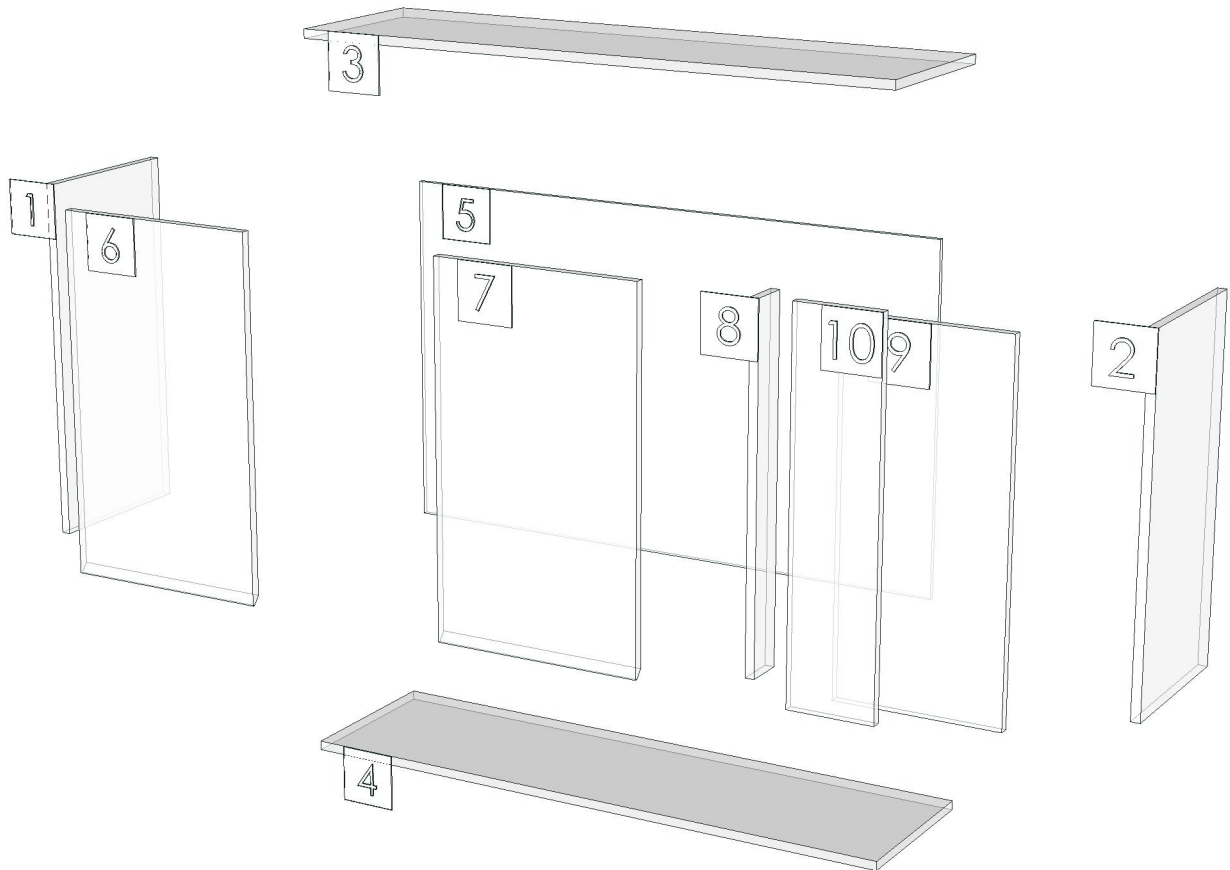
01.393=1 BT9



K70L-160171061



Model	-		
Creator	CHALEAMPON	.BCP Name	INDEX_C3D_KITCHEN2
Reviewer		Order	H002081
Approves		Date	23/10/2025



Model	PLUS_UD_DPLT-1800		
Creator	CHALEAMPON	.BCP Name	INDEX_C3D_KITCHEN2
Reviewer		Order	H001010
Approves		Date	28/06/2024

PLUS_UD_DPLT-1800-1800X9X100

Colour

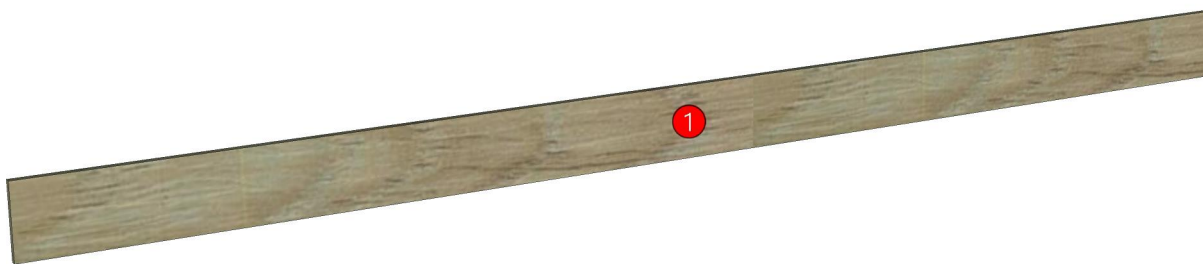
05.85=ML.SWISS ELM CHAMPAGNE#AR8 SYNCHRONOUS

Edge

01.407=1 AR8

R&D REVIEW	
<input checked="" type="checkbox"/>	DWG.Customer
<input checked="" type="checkbox"/>	Work Report
<input type="checkbox"/>	Function
<input type="checkbox"/>	สินค้าตรงตัวอย่าง
ผู้ทบทวน <u>P.SAWAI</u>	
<u>28/6/24</u>	

K70L-160171061



Model	PLUS_UD_DPLT-1800		
Creator	CHALEAMPON	.BCP Name	INDEX_C3D_KITCHEN2
Reviewer		Order	H001010
Approves		Date	28/06/2024

No.	Article No.	Description	Mat	Dimension	Cutting Size	Typepology	Skin
0	PLUS_UD_DPLT-1800			1800x100x9			
	PLUS_UD_DPLT-1800-01	LEG	PB-ST	9x100x1800	9X98X1799;L2:W1	183000_STR=05.85_EDG=AR8-1	2

Model	PLUS_UD_DPLT_600		
Creator	CHALEAMPON	.BCP Name	INDEX_C3D_KITCHEN2
Reviewer		Order	H001012
Approves		Date	28/06/2024

PLUS_UD_DPLT_600-600X9X100

Colour

05.85=ML.SWISS ELM CHAMPAGNE#AR8 SYNCHRONOUS

Edge

01.407=1 AR8



- K2R-160171027
- K10R-160171040
- K20R-160171050
- K70L-160171061
- K2L-160175179
- K20L-160175238
- K100L-160175192
- K100R-160175203
- K101R-160175214
- K1000L-160175227
- K40L-160175286
- K200L-160177857



Model	PLUS_UD_DPLT_600		
Creator	CHALEAMPHON	.BCP Name	INDEX_C3D_KITCHEN2
Reviewer		Order	H001012
Approves		Date	28/06/2024

No.	Article No.	Description	Mat	Dimension	Cutting Size	Typepology	Skin
0	PLUS_UD_DPLT_600			600x100x9			
	PLUS_UD_DPLT_600-01	LEG	PB-ST	9x100x600	9X98X599;L2:W1	183000_STR=05.85_EDG=AR8-1	2

Model	PLUS_UD_DWO75BT		
Creator	CHALEAMPHON	.BCP Name	INDEX_C3D_KITCHEN2
Reviewer		Order	H002087
Approves		Date	27/10/2025

PLUS_UD_DWO75BT-750X300X250

Colour

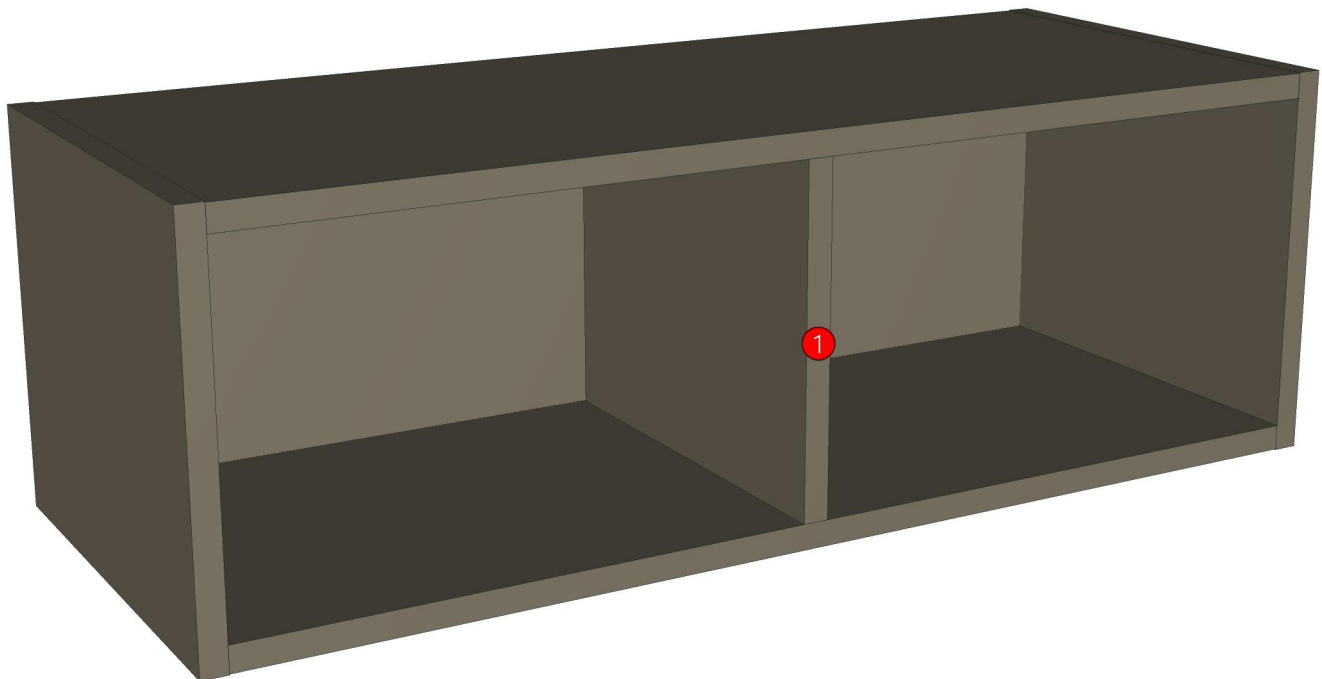
05.74=ML.LIGHT TAUPE BT9 (PEARL)
20.14=ML GRAPHITE # MK3200 (PEARL)
05.01=ML WHITE VM1012 18/18

Edge

01.393=1 BT9
01.206=1 GRAPHITE MD204



K70L-160171061



Model	-		
Creator	CHALEAMPHON	.BCP Name	INDEX_C3D_KITCHEN2
Reviewer		Order	H002087
Approves		Date	27/10/2025

