

Model	LIFE_CN2_DBD20G		
Creator	PASATHORN	.BCP Name	INDEX_C3D_KITCHEN2
Reviewer		Order	I004475
Approves	P.SAWAI	Date	13/10/2025

LIFE_CN2_DBD20G-200X570X913

Colour

05.38 ML MD692 (SS)_
05.30 ML WHITE SAND #VM1012/2610/2610(PEARL)_
-
-
-

Edge

01.286 1 MD692 _
-
-
-

R&D REVIEW

DWG.Customer

Work Report

Function

สินค้าตรงตัวอย่าง

ผู้ทบทวน P.SAWAI

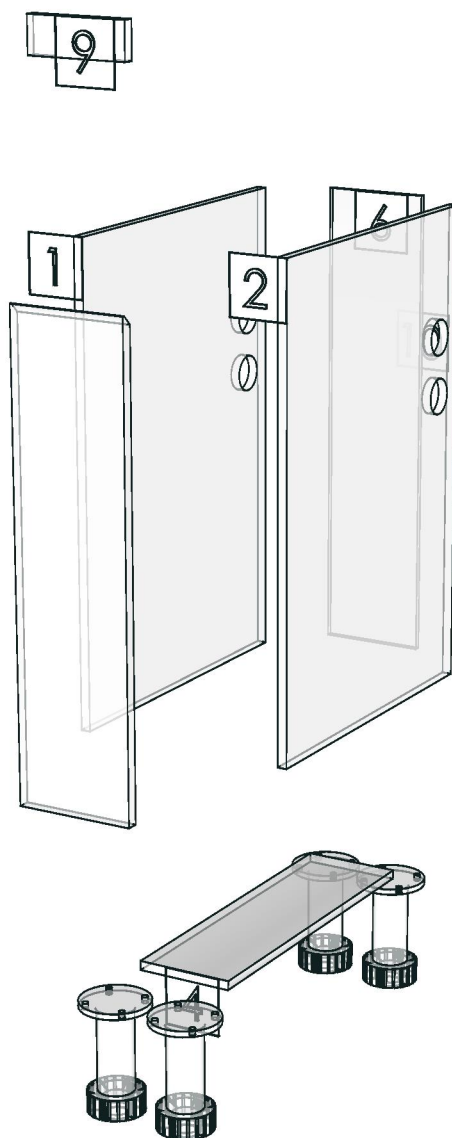
25/10/25

K103L-160169906
K103R-160169916

K116L-160170007
K116R-160170018



Model	-LIFE_CN2_DBD20G		
Creator		.BCP Name	INDEX_C3D_KITCHEN2
Reviewer		Order	I004475
Approves	P.SAWAI	Date	



Model	LIFE_CN2_DBO698L		
Creator	PASATHORN	.BCP Name	INDEX_C3D_KITCHEN2
Reviewer		Order	I004483
Approves	<i>P.SAWAI</i>	Date	13/10/2025

LIFE_CN2_DBO698L-698X570X913

Colour

05.38 ML MD692 (SS)_
05.30 ML WHITE SAND #VM1012/2610/2610(PEARL)_
-
-
-

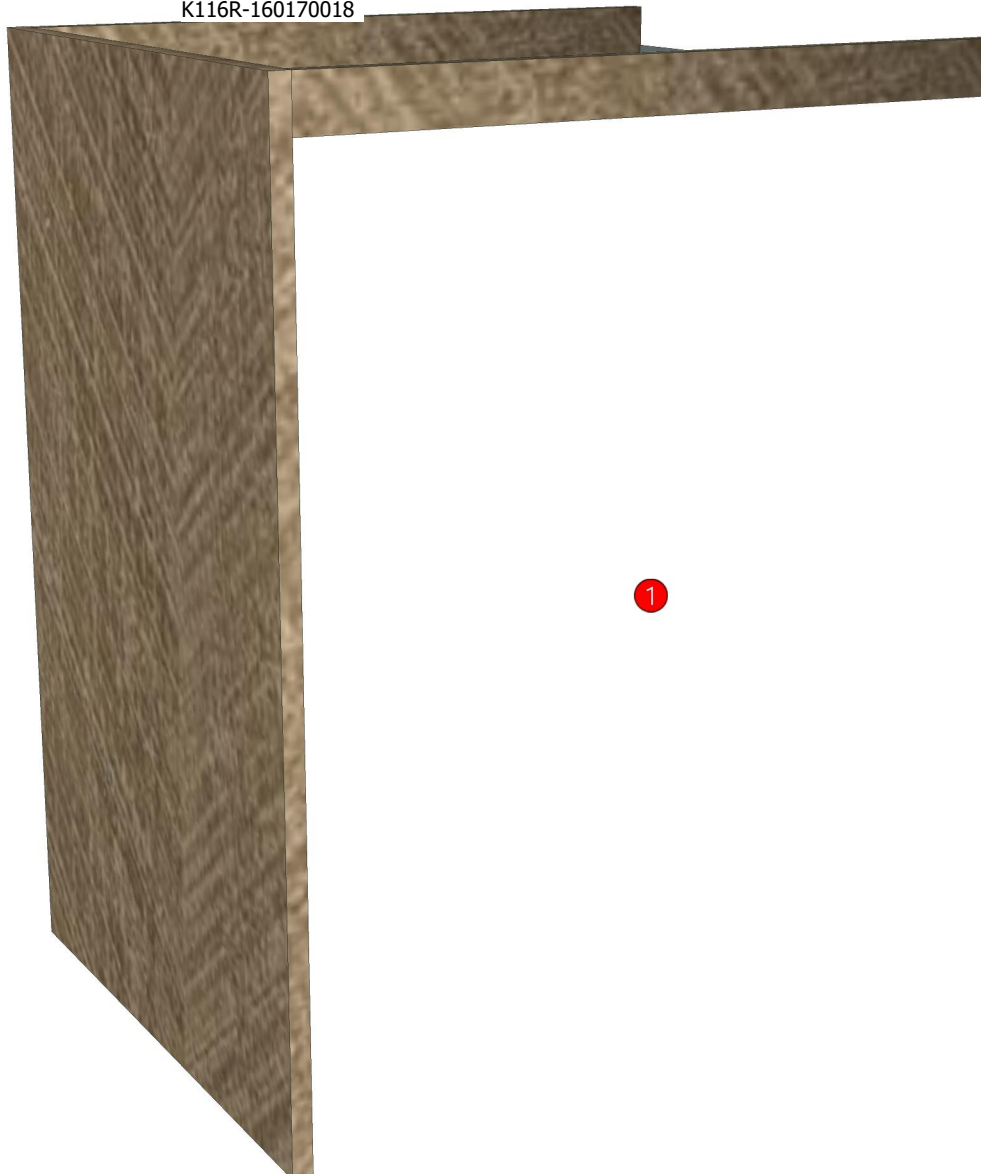
Edge

01.286 1 MD692 _
01.47 1 WHITE _
-
-
-

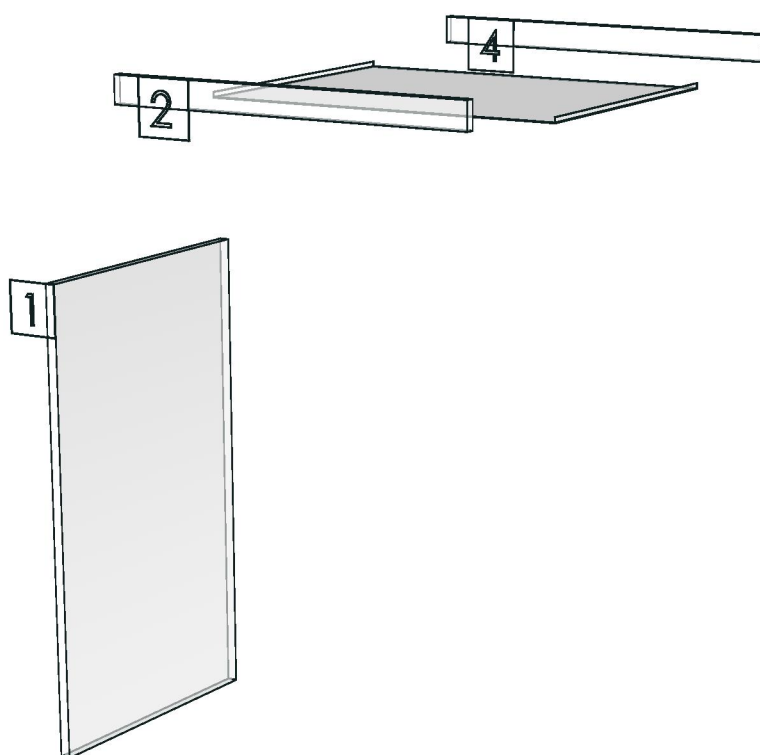
R&D REVIEW	
<input checked="" type="checkbox"/>	DWG.Customer
<input checked="" type="checkbox"/>	Work Report
<input type="checkbox"/>	Function
<input type="checkbox"/>	สินค้าตรงตัวอย่าง
ผู้ทบทวน <u>P.SAWAI</u>	
<u>13/10/25</u>	

K103R-160169916

K116R-160170018



Model	-LIFE_CN2_DBO698L		
Creator		.BCP Name	INDEX_C3D_KITCHEN2
Reviewer		Order	I004483
Approves	P. SAWAI	Date	



Model	LIFE_CN2_DBS60RGL		
Creator	PASATHORN	.BCP Name	INDEX_C3D_KITCHEN2
Reviewer		Order	I004486
Approves		Date	13/10/2025

LIFE_CN2_DBS60RGL-600X570X913

Colour

05.38 ML MD692 (SS)_

05.30 ML WHITE SAND #VM1012/2610/2610(PEARL)_

-

-

-

Edge

01.286 1 MD692 _

01.465 0.6 CHARLOTTE MD692 (A1519TH00)_

-

-

-

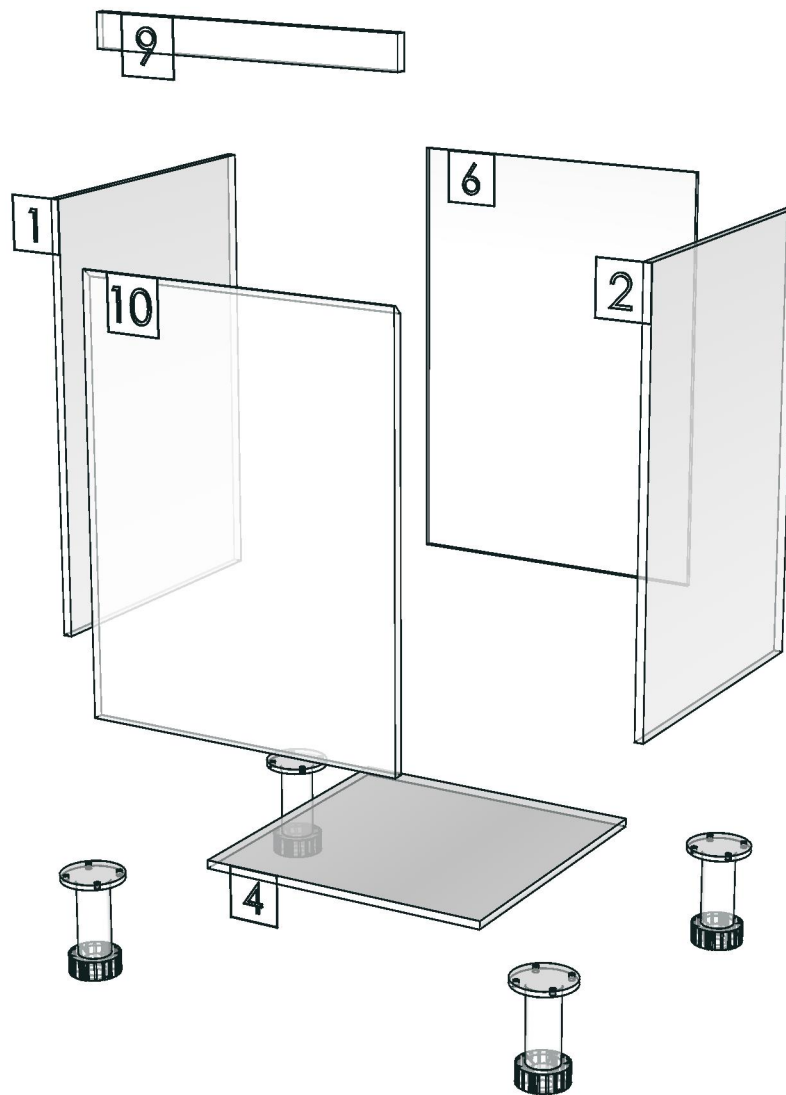
R&D REVIEW	
<input checked="" type="checkbox"/>	DWG.Customer
<input checked="" type="checkbox"/>	Work Report
<input type="checkbox"/>	Function
<input type="checkbox"/>	สินค้าตรงตัวอย่าง
ผู้ทบทวน _____	

K103R-160169916

K116R-160170018_ED



Model	-LIFE_CN2_DBS60RGL		
Creator		.BCP Name	INDEX_C3D_KITCHEN2
Reviewer		Order	I004486
Approves		Date	



Model	LIFE_CN2_DDM700		
Creator	PASATHORN	.BCP Name	INDEX_C3D_KITCHEN2
Reviewer		Order	I004494
Approves	P.SAWAI	Date	13/10/2025

LIFE_CN2_DDM700-700X16X150

Colour

05.38 ML MD692 (SS)_

-
-
-
-

Edge

01.286 1 MD692 _

-
-
-
-

K101L-160169866

K114L-160169963

K101R-160169877

K114R-160169975

K103L-160169906

K116L-160170007

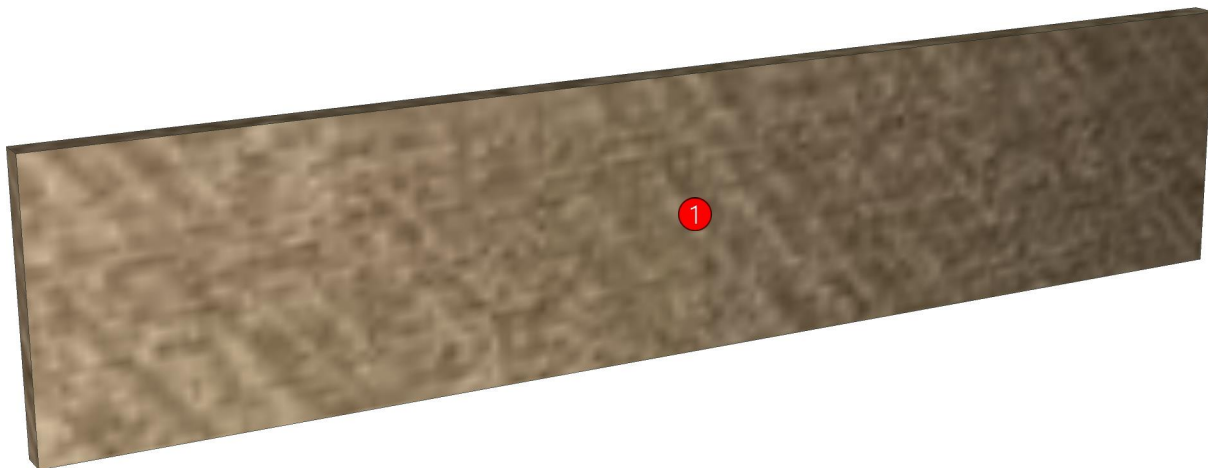
K103R-160169916

K116R-160170018

K104L-160169926

K117L-160170029

R&D REVIEW	
<input checked="" type="checkbox"/>	DWG.Customer
<input checked="" type="checkbox"/>	Work Report
<input type="checkbox"/>	Function
<input type="checkbox"/>	สินค้าตรงตัวอย่าง
ผู้ทบทวน <u>P.SAWAI</u>	
<u>25/10/25</u>	



Model	LIFE_CN2_DDM700		
Creator	PASATHORN	.BCP Name	INDEX_C3D_KITCHEN2
Reviewer		Order	I004494
Approves	P. SAWAI	Date	13/10/2025

No.	Article No.	Description	Mat	Dimension	Cutting Size	Typepology	Skin
0	LIFE_CN2_DDM700	LIFE_CN2_DDM700		700x150x16			
	LIFE_CN2_DDM700-01	DDM-SP	PB-SP	16x150x700	16X148X699;L2:W1	183000 _STR=05.38 _EDG=MD692-1	2

Model	LIFE_CN2_DFLH		
Creator	PASATHORN	.BCP Name	INDEX_C3D_KITCHEN2
Reviewer		Order	I004530
Approves		Date	16/10/2025

LIFE_CN2_DFLH-150X16X1100

Colour

05.38 ML MD692 (SS)_

-
-
-
-

Edge

01.286 1 MD692 _

-
-
-
-

R&D REVIEW	
<input checked="" type="checkbox"/>	DWG.Customer
<input checked="" type="checkbox"/>	Work Report
<input type="checkbox"/>	Function
<input type="checkbox"/>	สินค้าตรงตัวอย่าง
ผู้ทบทวน _____	

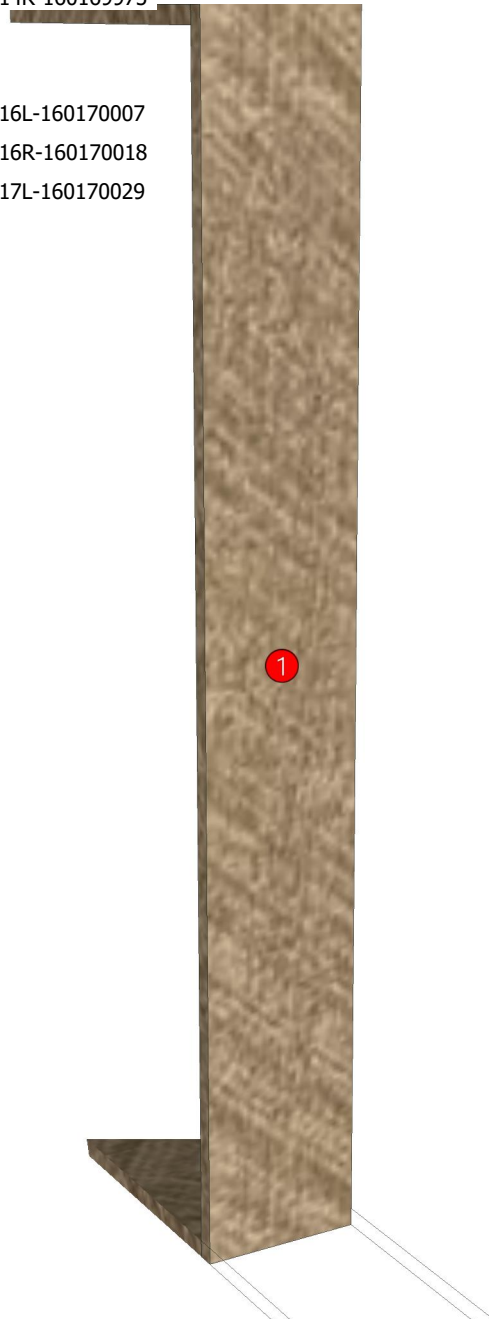
K114L-160169963

K114R-160169975

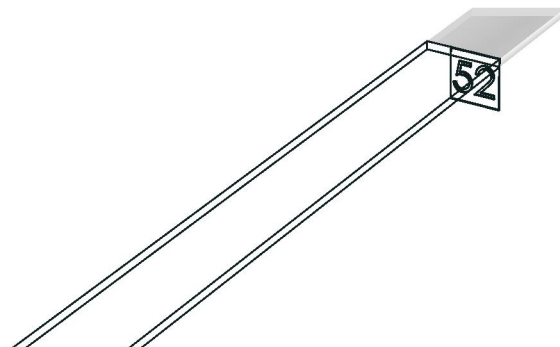
K116L-160170007

K116R-160170018

K117L-160170029



Model	-LIFE_CN2_DFLH		
Creator		.BCP Name	INDEX_C3D_KITCHEN2
Reviewer		Order	I004530
Approves		Date	



Model	LIFE_CN2_DF_CL1550H		
Creator	PASATHORN	.BCP Name	INDEX_C3D_KITCHEN2
Reviewer		Order	I004526
Approves		Date	16/10/2025

LIFE_CN2_DF_CL1550H-1550X16X355

Colour

05.38 ML MD692 (SS)_

-
-
-
-

Edge

01.286 1 MD692 _

-
-
-
-

R&D REVIEW	
<input checked="" type="checkbox"/>	DWG.Customer
<input checked="" type="checkbox"/>	Work Report
<input type="checkbox"/>	Function
<input type="checkbox"/>	สินค้าตรงตัวอย่าง
ผู้ทบทวน _____	

K116L-160170007

K116R-160170018



Model	LIFE_CN2_DF_CL1550H		
Creator	PASATHORN	.BCP Name	INDEX_C3D_KITCHEN2
Reviewer		Order	I004526
Approves		Date	16/10/2025

No.	Article No.	Description	Mat	Dimension	Cutting Size	Typepology	Skin
0	LIFE_CN2_DF_CL1550H	LIFE_CN2_DF_CL1550H		1550x355x16			
	LIFE_CN2_DF_CL1550H-01	DF_CL-SP	PB-SP	16x355x1550	16X354X1549;L1:W1	183000 _STR=05.38 _EDG=MD692-1	2

Model	LIFE_CN2_DF_CL350H		
Creator	PASATHORN	.BCP Name	INDEX_C3D_KITCHEN2
Reviewer		Order	I003902
Approves		Date	31/01/2025

LIFE_CN2_DF_CL350H-350X16X355

Colour

05.38 ML MD692 (SS)_

-
-
-
-

Edge

01.286 1 MD692 _

-
-
-
-

K113L-160169945

K113R-160169954

K115L-160169987

K115R-160169997

K116L-160170007

K116R-160170018

K117L-160170029

K118L-160170040

R&D REVIEW	
<input checked="" type="checkbox"/>	DWG.Customer
<input checked="" type="checkbox"/>	Work Report
<input type="checkbox"/>	Function
<input type="checkbox"/>	สินค้าตรงตัวอย่าง
ผู้ทบทวน _____	



Model	LIFE_CN2_DF_CL350H		
Creator	PASATHORN	.BCP Name	INDEX_C3D_KITCHEN2
Reviewer		Order	I003902
Approves		Date	31/01/2025

No.	Article No.	Description	Mat	Dimension	Cutting Size	Typepology	Skin
0	LIFE_CN2_DF_CL350H	LIFE_CN2_DF_CL350H		350x355x16			
	LIFE_CN2_DF_CL350H-01	DF_CL-SP	PB-SP	16x355x350	16X354X349;L1:W1	183000 _STR=05.38 _EDG=MD692-1	2

Model	LIFE_CN2_DL60H1L		
Creator	PASATHORN	.BCP Name	INDEX_C3D_KITCHEN2
Reviewer		Order	I004541
Approves		Date	16/10/2025

LIFE_CN2_DL60H1L-600X350X1060

Colour

05.38 ML MD692 (SS)_

05.30 ML WHITE SAND #VM1012/2610/2610(PEARL)_

-

-

-

Edge

01.286 1 MD692 _

01.47 1 WHITE _

-

-

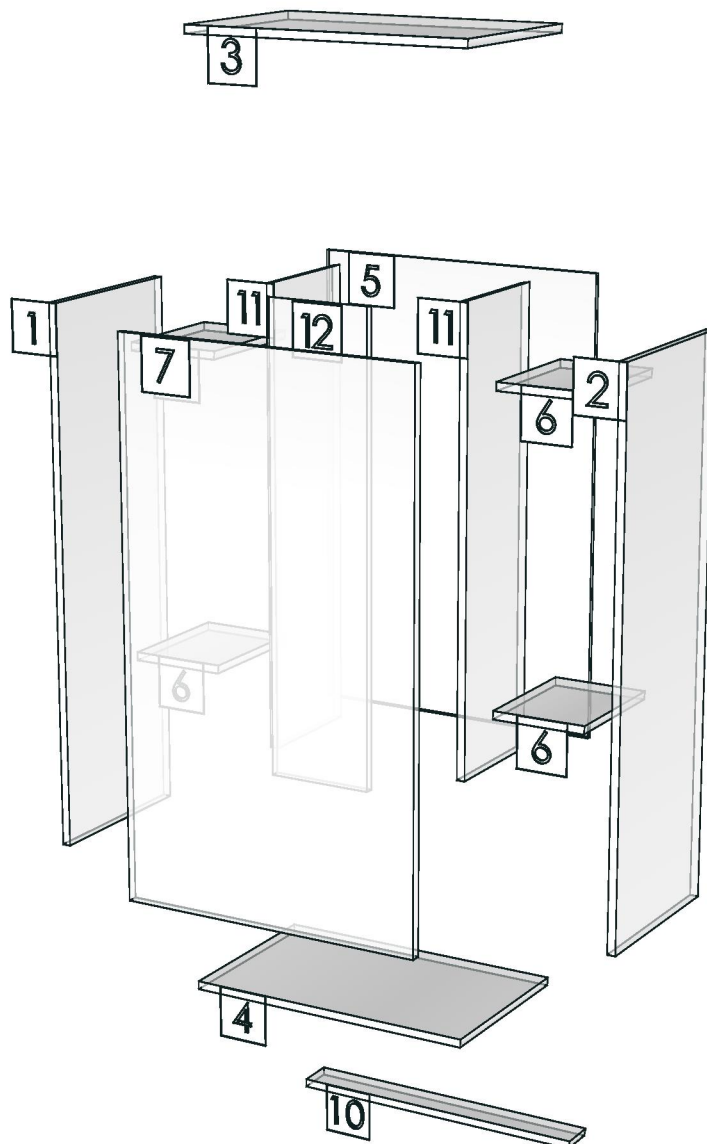
-

K114R-160169975

R&D REVIEW	
<input checked="" type="checkbox"/>	DWG.Customer
<input checked="" type="checkbox"/>	Work Report
<input type="checkbox"/>	Function
<input type="checkbox"/>	สินค้าตรงตัวอย่าง
ผู้ทบทวน _____	



Model	-LIFE_CN2_DL60H1L		
Creator		.BCP Name	INDEX_C3D_KITCHEN2
Reviewer		Order	I004541
Approves		Date	



Model	LIFE_CN2_DLMV85RS		
Creator	PASATHORN	.BCP Name	INDEX_C3D_KITCHEN2
Reviewer		Order	I004535
Approves	P.SAWAI	Date	16/10/2025

LIFE_CN2_DLMV85RS-850X400X1250

Colour

05.38 ML MD692 (SS)_

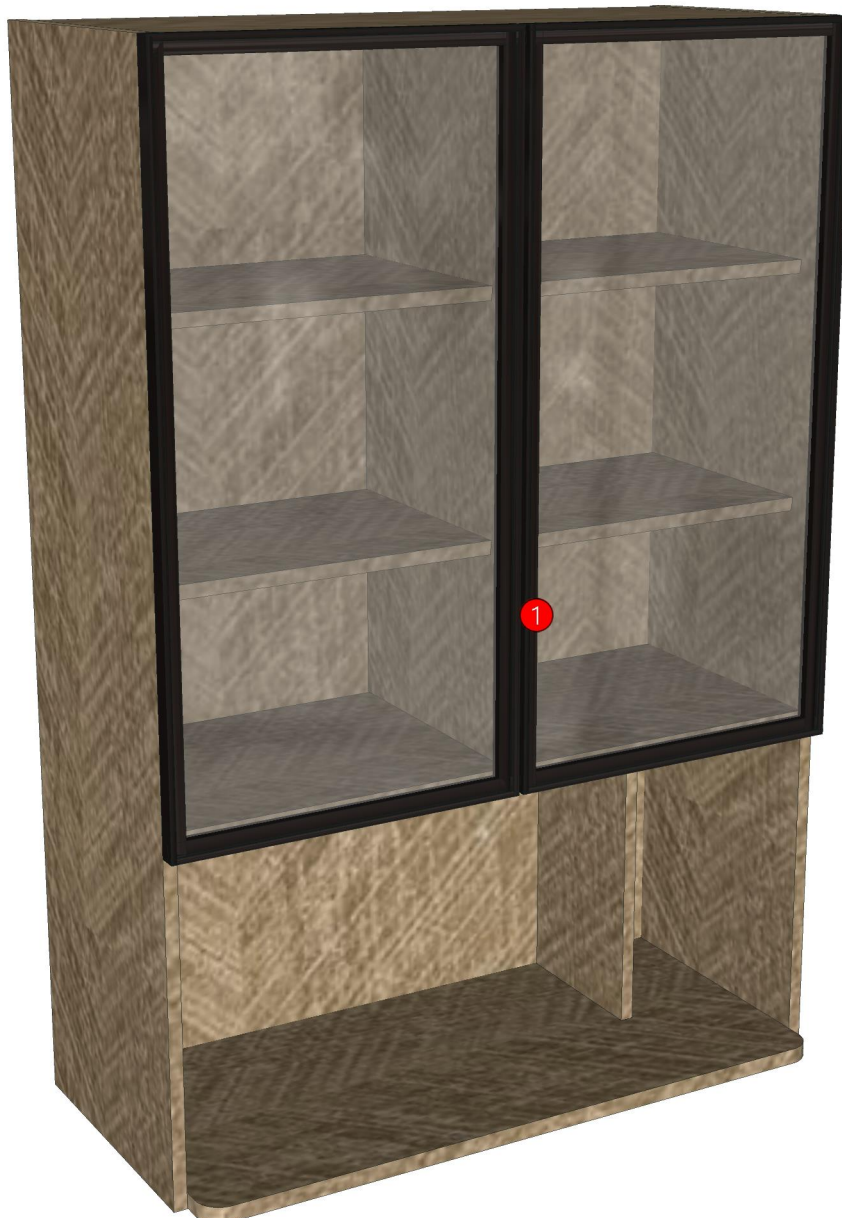
-
-
-
-

Edge

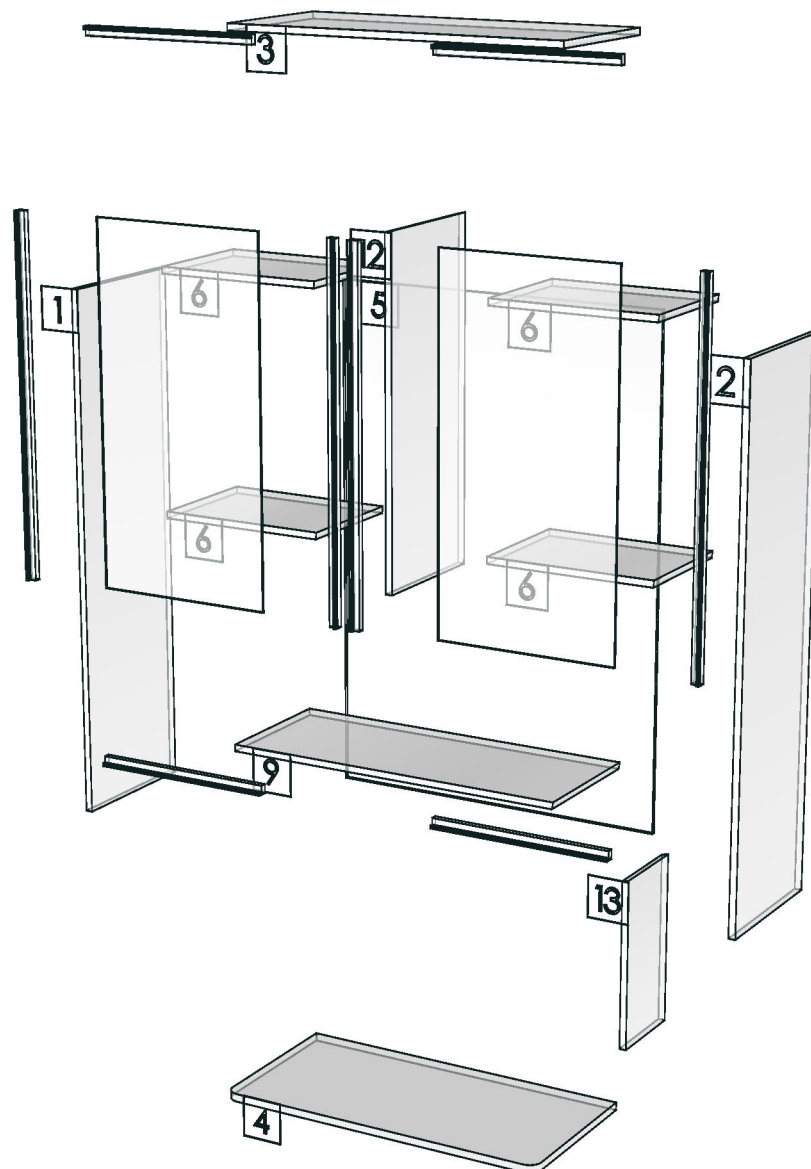
01.286 1 MD692 _

-
-
-
-

R&D REVIEW	
<input checked="" type="checkbox"/>	DWG.Customer
<input checked="" type="checkbox"/>	Work Report
<input type="checkbox"/>	Function
<input type="checkbox"/>	สินค้าตรงตัวอย่าง
ผู้ทบทวน <u>P.SAWAI</u>	
<u>25/10/25</u>	



Model	-LIFE_CN2_DLMV85RS		
Creator		.BCP Name	INDEX_C3D_KITCHEN2
Reviewer		Order	I004535
Approves	P. SAWAI	Date	



Model	LIFE_CN2_D_PLT600		
Creator	PASATHORN	.BCP Name	INDEX_C3D_KITCHEN2
Reviewer		Order	I004524
Approves	P.SAWAI	Date	16/10/2025

LIFE_CN2_D_PLT600-600X9X100

Colour

05.38 ML MD692 (SS)_

-

-

-

K100L-160169850

K100R-160169858

K101L-160169866

K101R-160169877

K102L-160169888

K102R-160169897

K103L-160169906

K103R-160169916

K104L-160169926

K105L-160169936

Edge

01.286 1 MD692 _

-

-

-

-

K113L-160169945

K113R-160169954

K114L-160169963

K114R-160169975

K115L-160169987

K115R-160169997

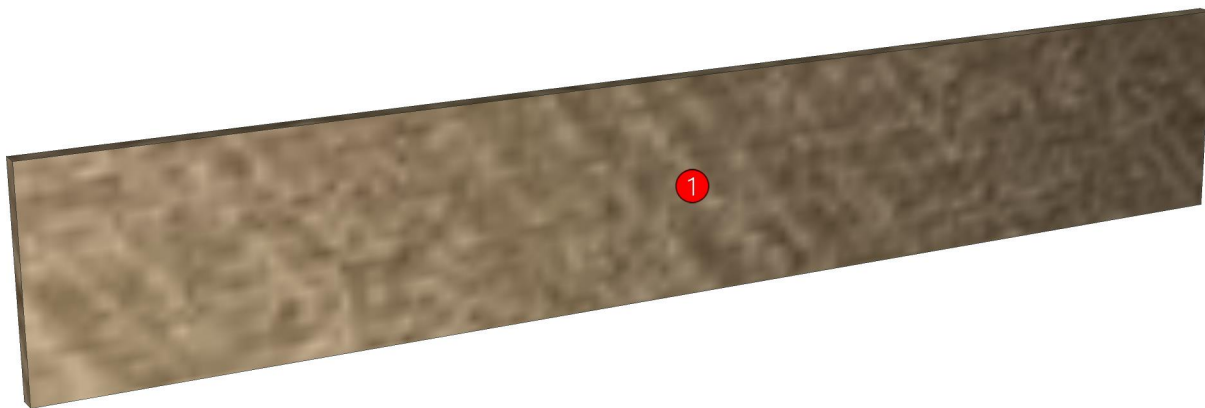
K116L-160170007

K116R-160170018

K117L-160170029

K118L-160170040

R&D REVIEW	
<input checked="" type="checkbox"/>	DWG.Customer
<input checked="" type="checkbox"/>	Work Report
<input type="checkbox"/>	Function
<input type="checkbox"/>	สินค้าตรงตัวอย่าง
ผู้ทบทวน P.SAWAI	
25/10/25	



Model	LIFE_CN2_D_PLT600		
Creator	PASATHORN	.BCP Name	INDEX_C3D_KITCHEN2
Reviewer		Order	I004524
Approves	P. SAWAI	Date	16/10/2025

No.	Article No.	Description	Mat	Dimension	Cutting Size	Typepology	Skin
0	LIFE_CN2_D_PLT600	LIFE_CN2_D_PLT600		600x100x9			
	LIFE_CN2_D_PLT600-01	D_PLINT-SP	PB-SP	9x100x600	9X98X598;L2:W2	183000 _STR=05.38 _EDG=MD692-1	2

Model	LIFE_CN2_D_PLT800		
Creator	PASATHORN	.BCP Name	INDEX_C3D_KITCHEN2
Reviewer		Order	I004471
Approves	P.SAWAI	Date	13/10/2025

LIFE_CN2_D_PLT800-800X9X100

Colour

05.38 ML MD692 (SS)_

-
-
-
-

Edge

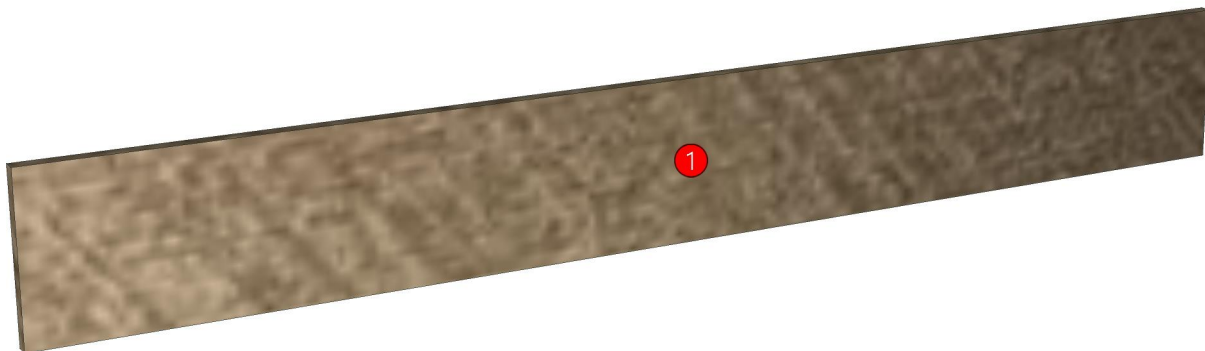
01.286 1 MD692 _

-
-
-
-

R&D REVIEW	
<input checked="" type="checkbox"/>	DWG.Customer
<input checked="" type="checkbox"/>	Work Report
<input type="checkbox"/>	Function
<input type="checkbox"/>	สินค้าตรงตัวอย่าง
ผู้ทบทวน <u>P.SAWAI</u>	
<u>25/10/25</u>	

K102L-160169888
K102R-160169897
K103L-160169906
K103R-160169916

K115L-160169987
K115R-160169997
K116L-160170007
K116R-160170018



Model	LIFE_CN2_D_PLT800		
Creator	PASATHORN	.BCP Name	INDEX_C3D_KITCHEN2
Reviewer		Order	I004471
Approves	P. SAWAI	Date	13/10/2025

No.	Article No.	Description	Mat	Dimension	Cutting Size	Typepology	Skin
0	LIFE_CN2_D_PLT800	LIFE_CN2_D_PLT800		800x100x9			
	LIFE_CN2_D_PLT800-01	D_PLINT-SP	PB-SP	9x100x800	9X98X798;L2:W2	183000 _STR=05.38 _EDG=MD692-1	2