

<b>Model</b>	LIFE_CN2_DBO665L		
<b>Creator</b>	PASATHORN	<b>.BCP Name</b>	INDEX_C3D_KITCHEN2
<b>Reviewer</b>		<b>Order</b>	I004522
<b>Approves</b>	P.SAWAI	<b>Date</b>	14/10/2025

## **LIFE\_CN2\_DBO665L-665X570X913**

### **Colour**

05.38 ML MD692 (SS)\_

05.30 ML WHITE SAND #VM1012/2610/2610(PEARL)\_

-

-

-

K100R-160169858

### **Edge**

01.286 1 MD692 \_

01.47 1 WHITE \_

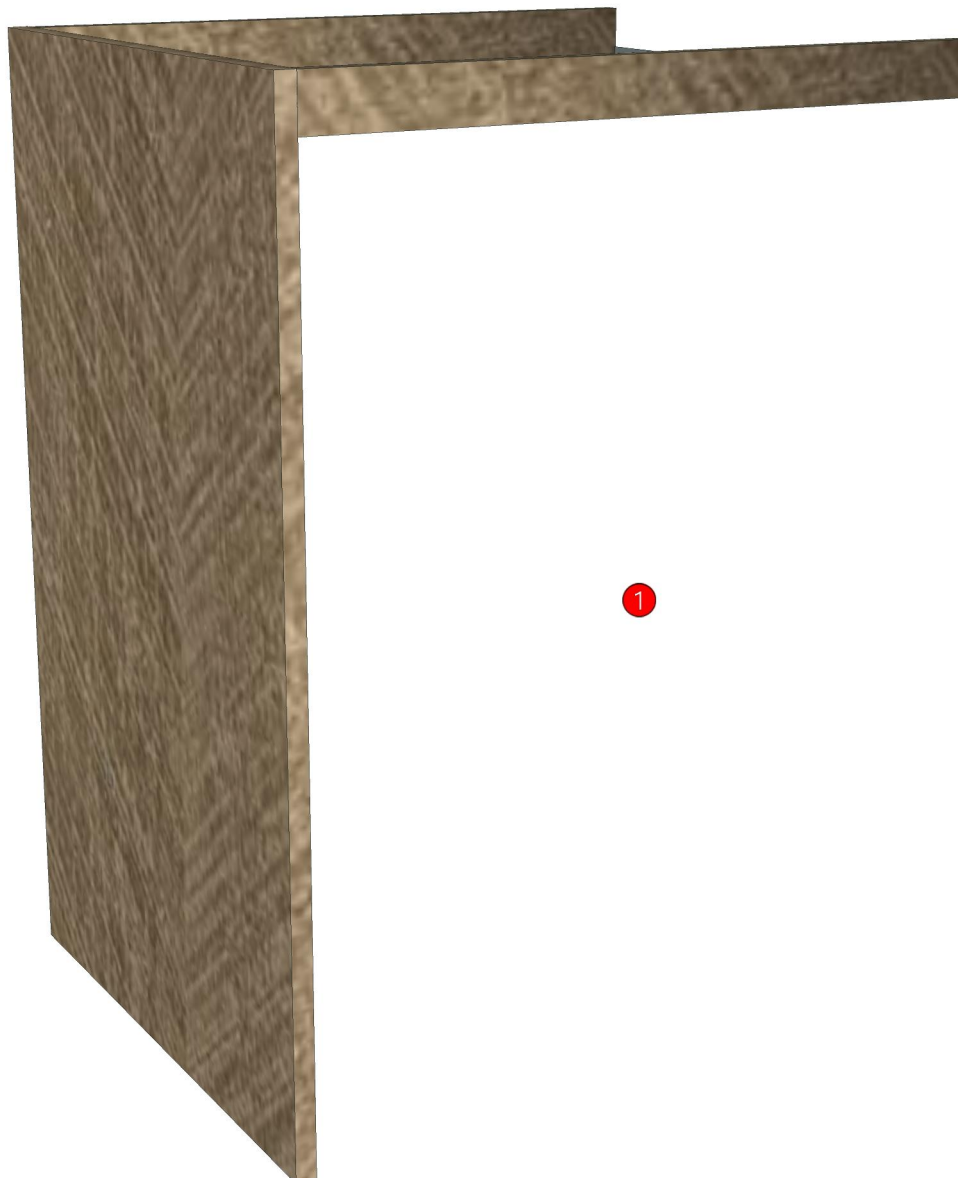
-

-

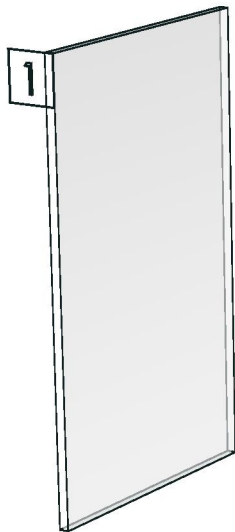
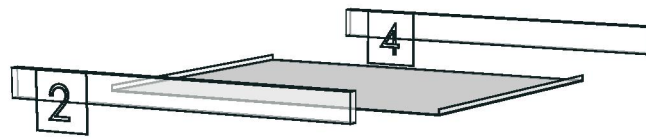
-

K113R-160169954

<b>R&amp;D REVIEW</b>	
<input checked="" type="checkbox"/>	DWG.Customer
<input checked="" type="checkbox"/>	Work Report
<input type="checkbox"/>	Function
<input type="checkbox"/>	สินค้าตรงตัวอย่าง
ผู้ทบทวน <u>P.SAWAI</u>	
<u>14/10/2025</u>	



<b>Model</b>	-LIFE_CN2_DBO665L		
<b>Creator</b>		<b>.BCP Name</b>	INDEX_C3D_KITCHEN2
<b>Reviewer</b>		<b>Order</b>	I004522
<b>Approves</b>	P. SAWAI	<b>Date</b>	



<b>Model</b>	LIFE_CN2_DBS731RGL		
<b>Creator</b>	PASATHORN	<b>.BCP Name</b>	INDEX_C3D_KITCHEN2
<b>Reviewer</b>		<b>Order</b>	I004492
<b>Approves</b>		<b>Date</b>	13/10/2025

## **LIFE\_CN2\_DBS731RGL-731X570X913**

**Colour**

05.38 ML MD692 (SS)\_

05.30 ML WHITE SAND #VM1012/2610/2610(PEARL)\_

-

-

-

K100R-160169858

**Edge**

01.286 1 MD692 \_

01.465 0.6 CHARLOTTE MD692 (A1519TH00)\_

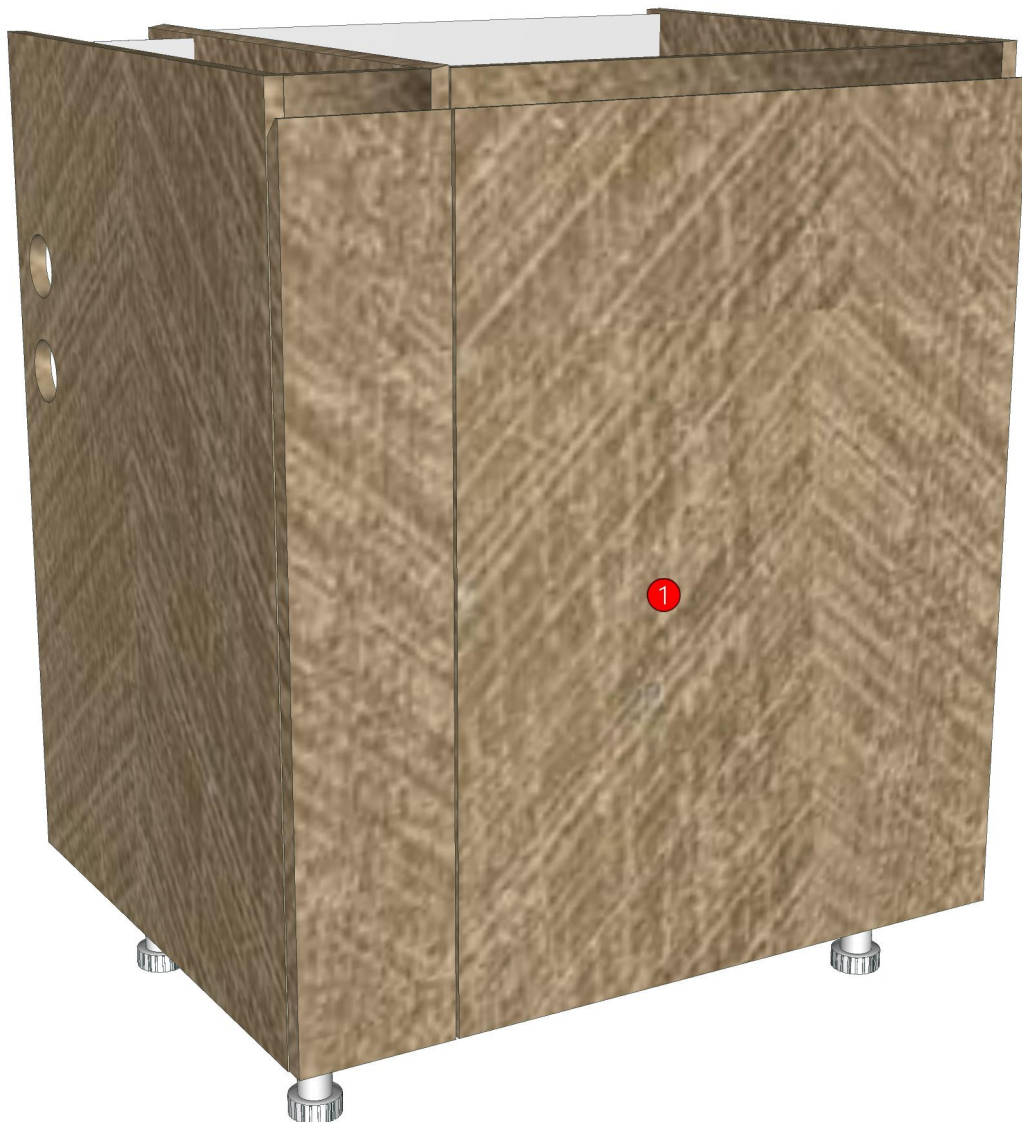
-

-

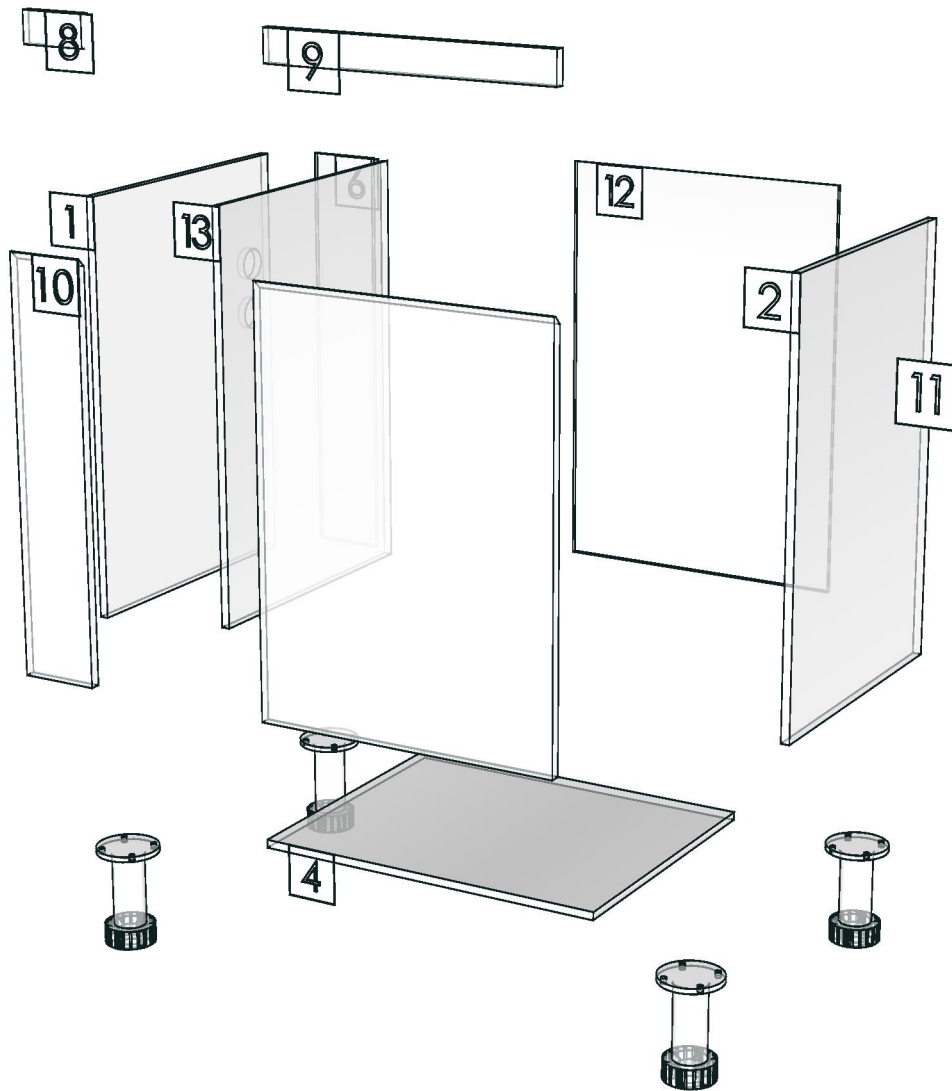


K113R-160169954\_ED

<b>R&amp;D REVIEW</b>	
<input checked="" type="checkbox"/>	DWG.Customer
<input checked="" type="checkbox"/>	Work Report
<input type="checkbox"/>	Function
<input type="checkbox"/>	สินค้าตรงตัวอย่าง
ผู้ทบทวน _____	
_____	



<b>Model</b>	-LIFE_CN2_DBS731RGL		
<b>Creator</b>		<b>.BCP Name</b>	INDEX_C3D_KITCHEN2
<b>Reviewer</b>		<b>Order</b>	I004492
<b>Approves</b>		<b>Date</b>	



<b>Model</b>	LIFE_CN2_DDM600		
<b>Creator</b>	PASATHORN	<b>.BCP Name</b>	INDEX_C3D_KITCHEN2
<b>Reviewer</b>		<b>Order</b>	I004493
<b>Approves</b>	P.SAWAI	<b>Date</b>	13/10/2025

## LIFE\_CN2\_DDM600-600X16X150

**Colour**

05.38 ML MD692 (SS)\_

-

-

-

K100L-160169850

K100R-160169858

K102L-160169888

K102R-160169897

K105L-160169936

**Edge**

01.286 1 MD692 \_

-

-

-

-

K113L-160169945

K113R-160169954

K115L-160169987

K115R-160169997

K118L-160170040

**R&D REVIEW**

DWG.Customer

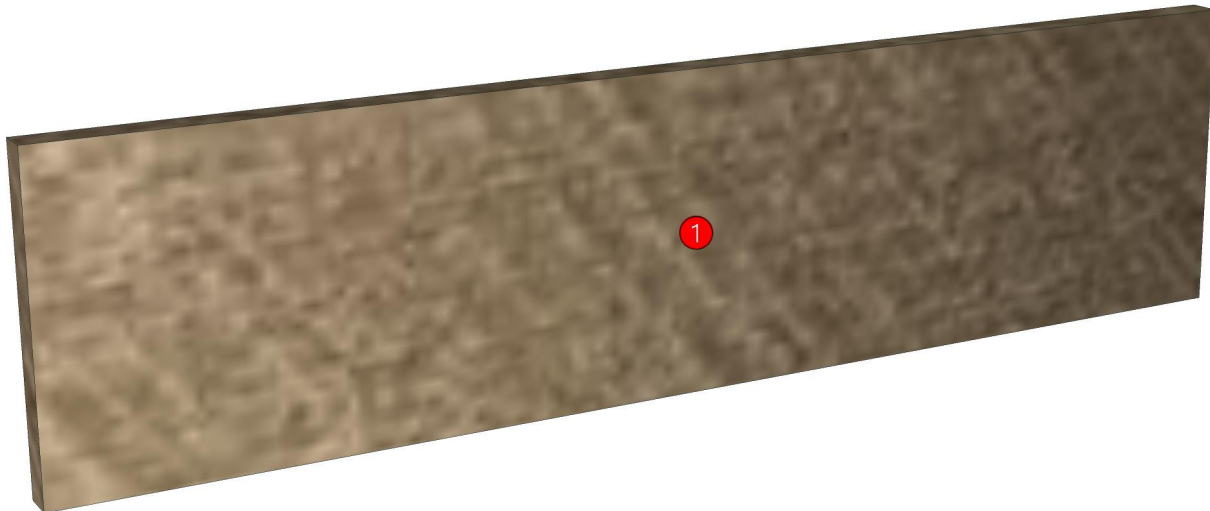
Work Report

Function

สินค้าตรงตัวอย่าง

ผู้ทบทวน P.SAWAI

25/10/25



<b>Model</b>	LIFE_CN2_DDM600		
<b>Creator</b>	PASATHORN	<b>.BCP Name</b>	INDEX_C3D_KITCHEN2
<b>Reviewer</b>		<b>Order</b>	I004493
<b>Approves</b>	P. SAWAI	<b>Date</b>	13/10/2025

No.	Article No.	Description	Mat	Dimension	Cutting Size	Typepology	Skin
0	LIFE_CN2_DDM600	LIFE_CN2_DDM600		600x150x16			
	LIFE_CN2_DDM600-01	DDM-SP	PB-SP	16x150x600	16X148X598;L2:W2	183000 _STR=05.38 _EDG=MD692-1	2

<b>Model</b>	LIFE_CN2_DF_CL1400H		
<b>Creator</b>	PASATHORN	<b>.BCP Name</b>	INDEX_C3D_KITCHEN2
<b>Reviewer</b>		<b>Order</b>	I003903
<b>Approves</b>		<b>Date</b>	31/01/2025

## **LIFE\_CN2\_DF\_CL1400H-1400X16X355**

**Colour**

05.38 ML MD692 (SS)\_

-

-

-

-

K113L-160169945

K113R-160169954

**Edge**

01.286 1 MD692 \_

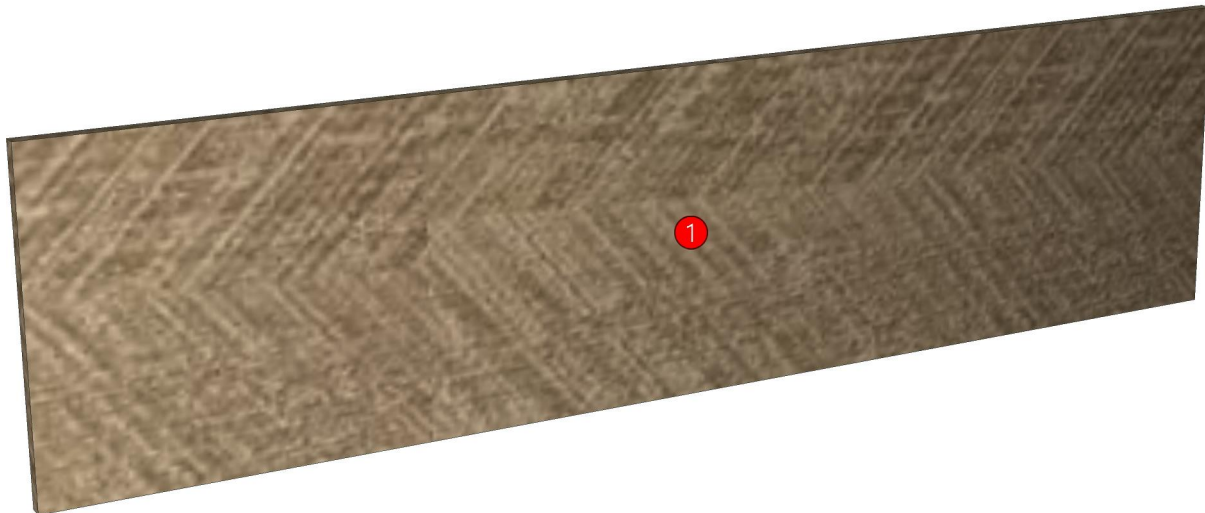
-

-

-

-

<b>R&amp;D REVIEW</b>	
<input checked="" type="checkbox"/>	DWG.Customer
<input checked="" type="checkbox"/>	Work Report
<input type="checkbox"/>	Function
<input type="checkbox"/>	สินค้าตรงตัวอย่าง
ผู้ทบทวน _____	
_____	



<b>Model</b>	LIFE_CN2_DF_CL1400H		
<b>Creator</b>	PASATHORN	<b>.BCP Name</b>	INDEX_C3D_KITCHEN2
<b>Reviewer</b>		<b>Order</b>	I003903
<b>Approves</b>		<b>Date</b>	31/01/2025

No.	Article No.	Description	Mat	Dimension	Cutting Size	Typepology	Skin
0	LIFE_CN2_DF_CL1400H	LIFE_CN2_DF_CL1400H		1400x355x16			
	LIFE_CN2_DF_CL1400H-01	DF_CL-SP	PB-SP	16x355x1400	16X354X1398;L1:W2	183000 _STR=05.38 _EDG=MD692-1	2

<b>Model</b>	LIFE_CN2_DF_CL350H		
<b>Creator</b>	PASATHORN	<b>.BCP Name</b>	INDEX_C3D_KITCHEN2
<b>Reviewer</b>		<b>Order</b>	I003902
<b>Approves</b>		<b>Date</b>	31/01/2025

## **LIFE\_CN2\_DF\_CL350H-350X16X355**

**Colour**

05.38 ML MD692 (SS)\_

-

-

-

-

K113L-160169945

K113R-160169954

**Edge**

01.286 1 MD692 \_

-

-

-

-

K115L-160169987

K115R-160169997

K116L-160170007

K116R-160170018

K117L-160170029

K118L-160170040

<b>R&amp;D REVIEW</b>	
<input checked="" type="checkbox"/>	DWG.Customer
<input checked="" type="checkbox"/>	Work Report
<input type="checkbox"/>	Function
<input type="checkbox"/>	สินค้าตรงตัวอย่าง
ผู้ทบทวน _____	



<b>Model</b>	LIFE_CN2_DF_CL350H		
<b>Creator</b>	PASATHORN	<b>.BCP Name</b>	INDEX_C3D_KITCHEN2
<b>Reviewer</b>		<b>Order</b>	I003902
<b>Approves</b>		<b>Date</b>	31/01/2025

No.	Article No.	Description	Mat	Dimension	Cutting Size	Typepology	Skin
0	LIFE_CN2_DF_CL350H	LIFE_CN2_DF_CL350H		350x355x16			
	LIFE_CN2_DF_CL350H-01	DF_CL-SP	PB-SP	16x355x350	16X354X349;L1:W1	183000 _STR=05.38 _EDG=MD692-1	2

<b>Model</b>	LIFE_CN2_DL60H1LS		
<b>Creator</b>	PASATHORN	<b>.BCP Name</b>	INDEX_C3D_KITCHEN2
<b>Reviewer</b>		<b>Order</b>	I003922
<b>Approves</b>		<b>Date</b>	05/02/2025

## **LIFE\_CN2\_DL60H1LS-600X350X1060**

**Colour**

05.38 ML MD692 (SS)\_

05.30 ML WHITE SAND #VM1012/2610/2610(PEARL)\_

-

-

-

**Edge**

01.286 1 MD692 \_

01.47 1 WHITE \_

-

-

-

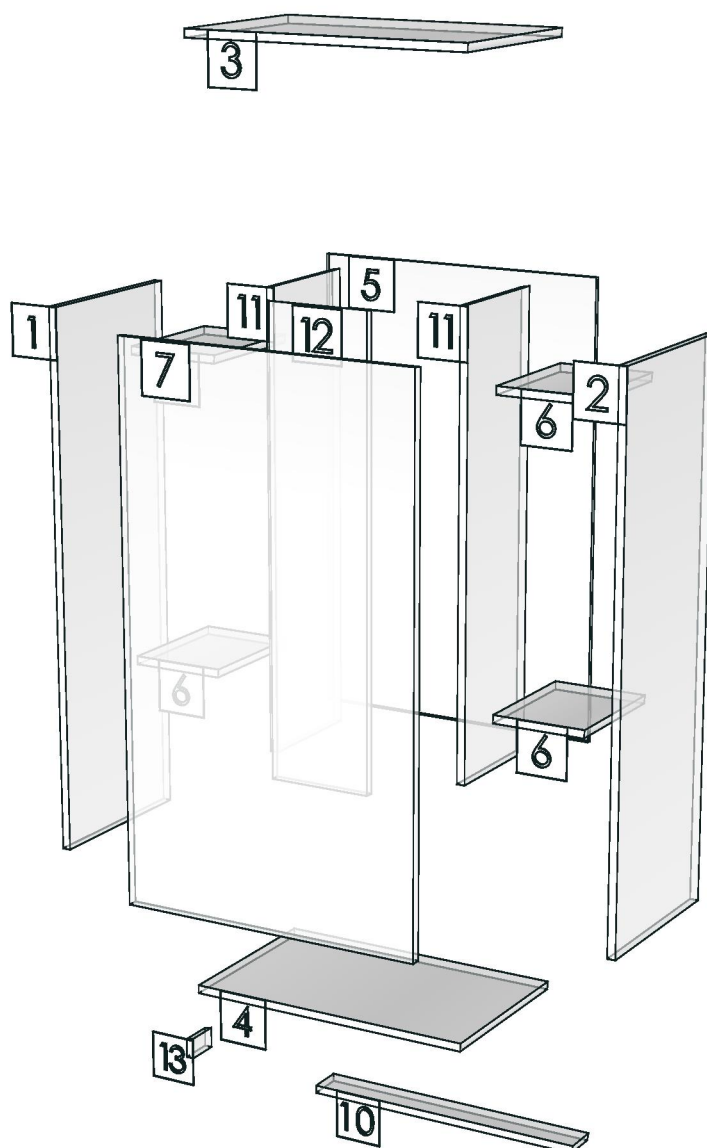
K113R-160169954

K115R-160169997

<b>R&amp;D REVIEW</b>	
<input checked="" type="checkbox"/>	DWG.Customer
<input checked="" type="checkbox"/>	Work Report
<input type="checkbox"/>	Function
<input type="checkbox"/>	สินค้าตรงตัวอย่าง
ผู้ทบทวน _____	
_____	



<b>Model</b>	-LIFE_CN2_DL60H1LS		
<b>Creator</b>		<b>.BCP Name</b>	INDEX_C3D_KITCHEN2
<b>Reviewer</b>		<b>Order</b>	I003922
<b>Approves</b>		<b>Date</b>	



<b>Model</b>	LIFE_CN2_DLMV80RS		
<b>Creator</b>	PASATHORN	<b>.BCP Name</b>	INDEX_C3D_KITCHEN2
<b>Reviewer</b>		<b>Order</b>	I003925
<b>Approves</b>	P.SAWAI	<b>Date</b>	12/02/2025

## **LIFE\_CN2\_DLMV80RS-800X400X1250**

**Colour**

05.38 ML MD692 (SS)\_

-  
-  
-  
-

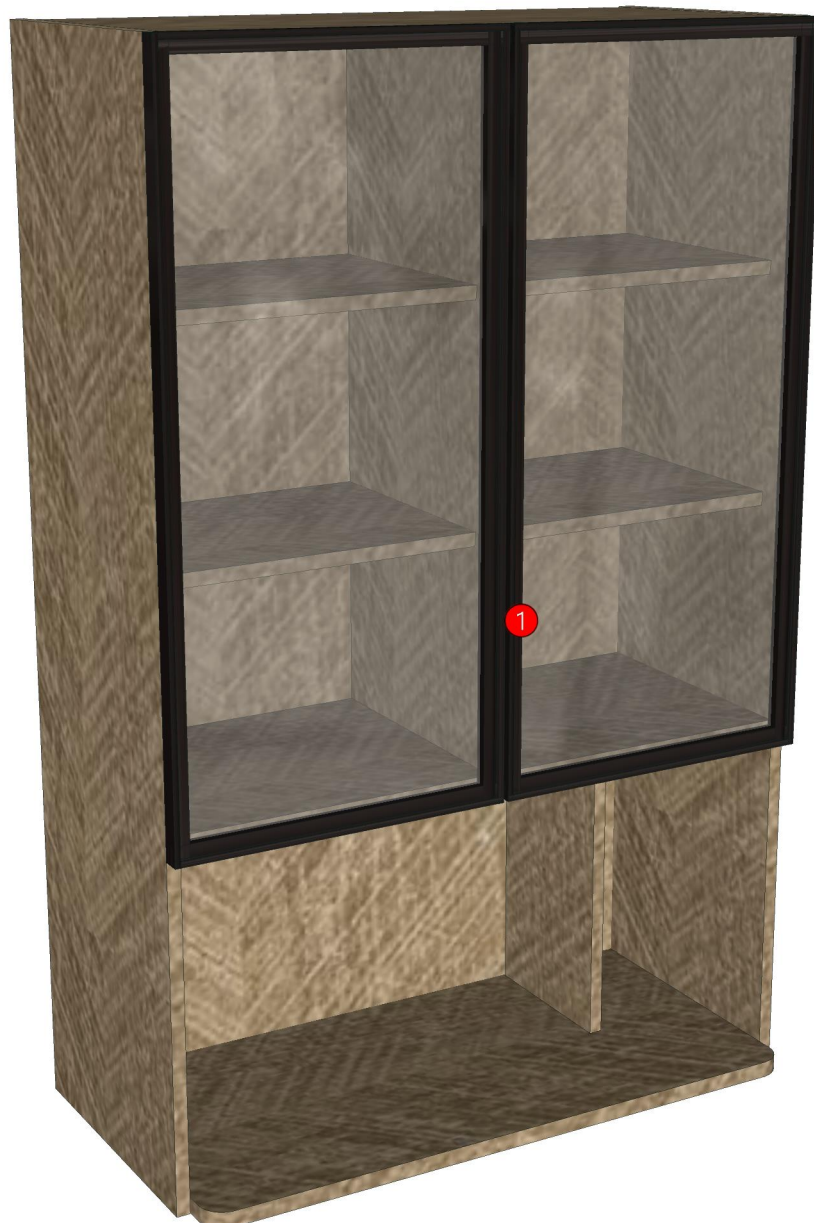
**Edge**

01.286 1 MD692 \_

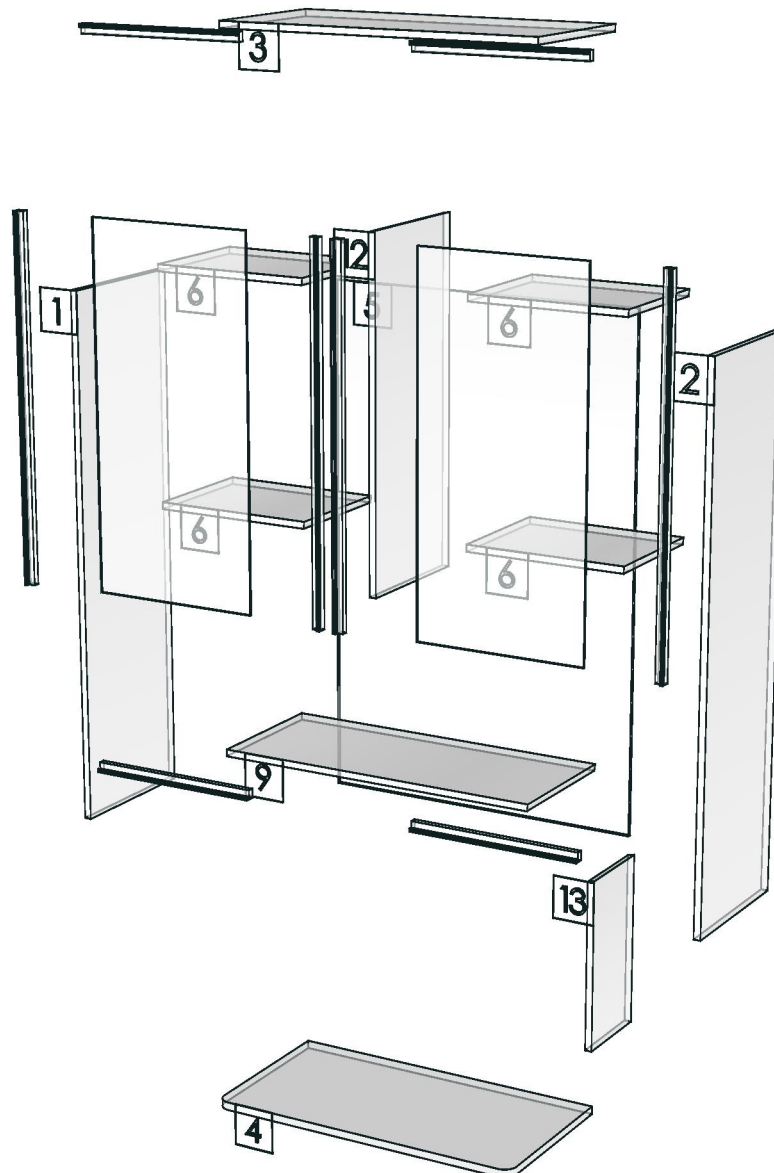
-  
-  
-  
-

K113R-160169954\_ED

<b>R&amp;D REVIEW</b>	
<input checked="" type="checkbox"/>	DWG.Customer
<input checked="" type="checkbox"/>	Work Report
<input type="checkbox"/>	Function
<input type="checkbox"/>	สินค้าตรงตัวอย่าง
ผู้ทบทวน <u>P.SAWAI</u>	
<u>12/02/2025</u>	



<b>Model</b>	-LIFE_CN2_DLMV80RS		
<b>Creator</b>		<b>.BCP Name</b>	INDEX_C3D_KITCHEN2
<b>Reviewer</b>		<b>Order</b>	I003925
<b>Approves</b>	P. SAWAI	<b>Date</b>	



<b>Model</b>	LIFE_CN2_D_PLT600		
<b>Creator</b>	PASATHORN	<b>.BCP Name</b>	INDEX_C3D_KITCHEN2
<b>Reviewer</b>		<b>Order</b>	I004524
<b>Approves</b>	P.SAWAI	<b>Date</b>	16/10/2025

## LIFE\_CN2\_D\_PLT600-600X9X100

### Colour

05.38 ML MD692 (SS)\_

-

-

-

K100L-160169850

K100R-160169858

K101L-160169866

K101R-160169877

K102L-160169888

K102R-160169897

K103L-160169906

K103R-160169916

K104L-160169926

K105L-160169936

### Edge

01.286 1 MD692 \_

-

-

-

-

K113L-160169945

K113R-160169954

K114L-160169963

K114R-160169975

K115L-160169987

K115R-160169997

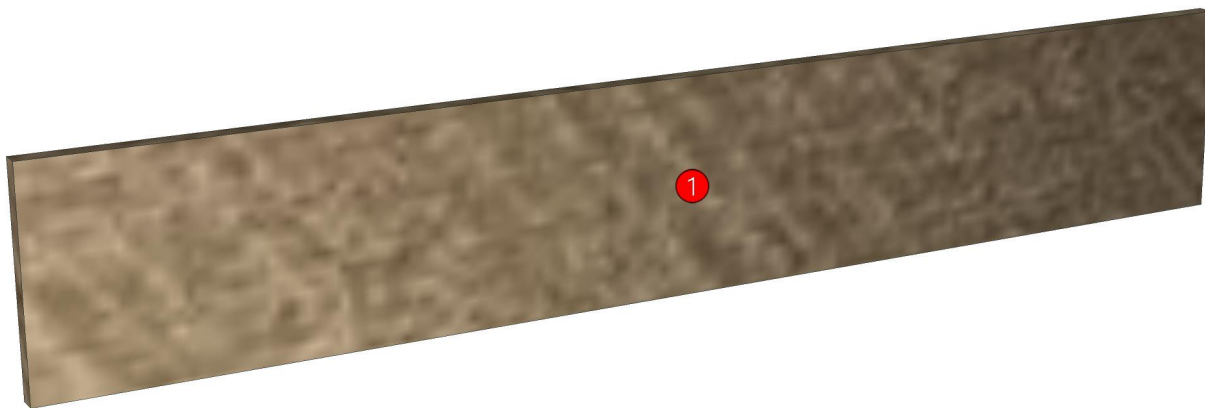
K116L-160170007

K116R-160170018

K117L-160170029

K118L-160170040

<b>R&amp;D REVIEW</b>	
<input checked="" type="checkbox"/>	DWG.Customer
<input checked="" type="checkbox"/>	Work Report
<input type="checkbox"/>	Function
<input type="checkbox"/>	สินค้าตรงตัวอย่าง
ผู้ทบทวน <u>P.SAWAI</u>	
<u>25/10/25</u>	



<b>Model</b>	LIFE_CN2_D_PLT600		
<b>Creator</b>	PASATHORN	<b>.BCP Name</b>	INDEX_C3D_KITCHEN2
<b>Reviewer</b>		<b>Order</b>	I004524
<b>Approves</b>	P. SAWAI	<b>Date</b>	16/10/2025

No.	Article No.	Description	Mat	Dimension	Cutting Size	Typepology	Skin
0	LIFE_CN2_D_PLT600	LIFE_CN2_D_PLT600		600x100x9			
	LIFE_CN2_D_PLT600-01	D_PLINT-SP	PB-SP	9x100x600	9X98X598;L2:W2	183000 _STR=05.38 _EDG=MD692-1	2

<b>Model</b>	LIFE_CN2_D_PLT731		
<b>Creator</b>	PASATHORN	<b>.BCP Name</b>	INDEX_C3D_KITCHEN2
<b>Reviewer</b>		<b>Order</b>	I004470
<b>Approves</b>	P.SAWAI	<b>Date</b>	13/10/2025

## **LIFE\_CN2\_D\_PLT731-731X9X100**

### **Colour**

05.38 ML MD692 (SS)\_

-

-

-

K100L-160169850

K100R-160169858

### **Edge**

01.286 1 MD692 \_

-

-

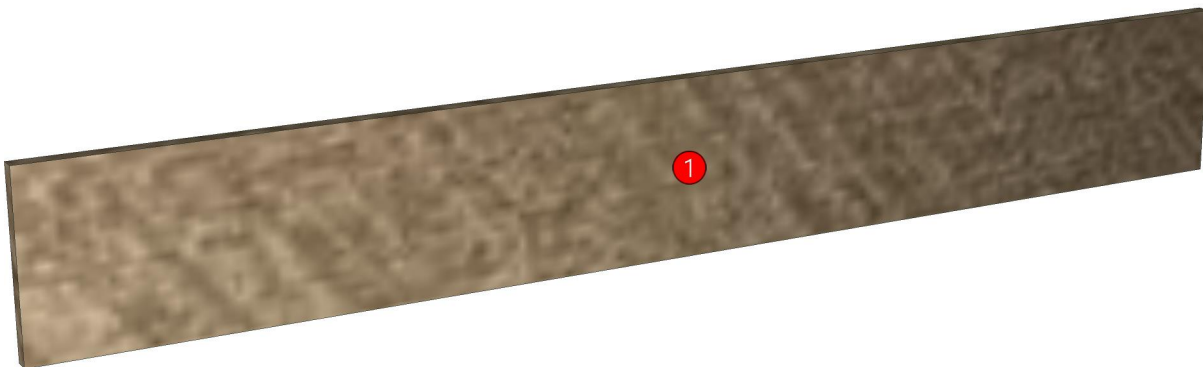
-

-

K113L-160169945

K113R-160169954

<b>R&amp;D REVIEW</b>	
<input checked="" type="checkbox"/>	DWG.Customer
<input checked="" type="checkbox"/>	Work Report
<input type="checkbox"/>	Function
<input type="checkbox"/>	สินค้าตรงตัวอย่าง
ผู้ทบทวน <u>P.SAWAI</u>	
<u>13/10/2025</u>	



<b>Model</b>	LIFE_CN2_D_PLT731		
<b>Creator</b>	PASATHORN	<b>.BCP Name</b>	INDEX_C3D_KITCHEN2
<b>Reviewer</b>		<b>Order</b>	I004470
<b>Approves</b>	P. SAWAI	<b>Date</b>	13/10/2025

No.	Article No.	Description	Mat	Dimension	Cutting Size	Typepology	Skin
0	LIFE_CN2_D_PLT731	LIFE_CN2_D_PLT731		731x100x9			
	LIFE_CN2_D_PLT731-01	D_PLINT-SP	PB-SP	9x100x731	9X98X729;L2:W2	183000 _STR=05.38 _EDG=MD692-1	2