

| | | | |
|-----------------|-----------------|------------------|--------------------|
| Model | LIFE_CN2_DBD30G | | |
| Creator | PASATHORN | .BCP Name | INDEX_C3D_KITCHEN2 |
| Reviewer | | Order | I004476 |
| Approves | P.SAWAI | Date | 13/10/2025 |

LIFE_CN2_DBD30G-300X570X913

Colour

05.38 ML MD692 (SS)_
05.30 ML WHITE SAND #VM1012/2610/2610(PEARL)_

Edge

01.286 1 MD692 _

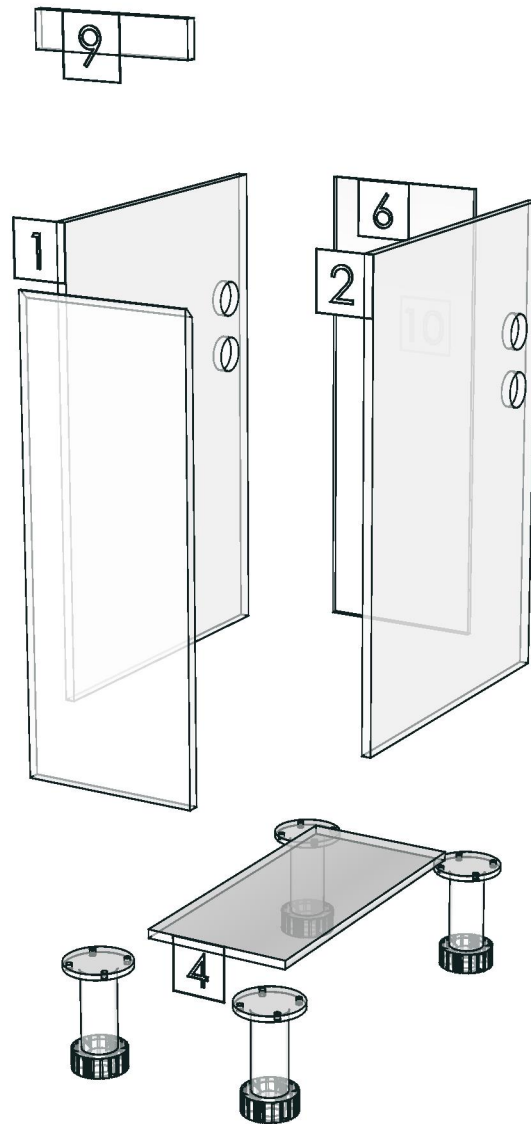
| | |
|-------------------------------------|-------------------|
| R&D REVIEW | |
| <input checked="" type="checkbox"/> | DWG.Customer |
| <input checked="" type="checkbox"/> | Work Report |
| <input type="checkbox"/> | Function |
| <input type="checkbox"/> | สินค้าตรงตัวอย่าง |
| ผู้ทบทวน <u>P.SAWAI</u> | |
| <u>25/10/25</u> | |

K104L-160169926
K105L-160169936

K117L-160170029
K118L-160170040



| | | | |
|-----------------|------------------|------------------|--------------------|
| Model | -LIFE_CN2_DBD30G | | |
| Creator | | .BCP Name | INDEX_C3D_KITCHEN2 |
| Reviewer | | Order | I004476 |
| Approves | P.SAWAI | Date | |



| | | | |
|-----------------|------------------|------------------|--------------------|
| Model | LIFE_CN2_DBO698R | | |
| Creator | PASATHORN | .BCP Name | INDEX_C3D_KITCHEN2 |
| Reviewer | | Order | I004484 |
| Approves | P.SAWAI | Date | 13/10/2025 |

LIFE_CN2_DBO698R-698X570X913

Colour

05.38 ML MD692 (SS)_

05.30 ML WHITE SAND #VM1012/2610/2610(PEARL)_

-

-

-

Edge

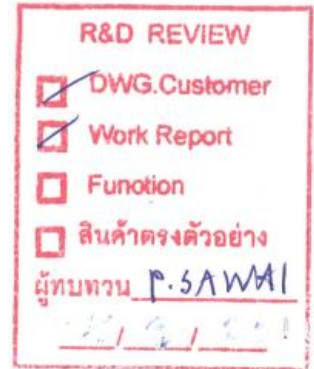
01.286 1 MD692 _

01.47 1 WHITE _

-

-

-

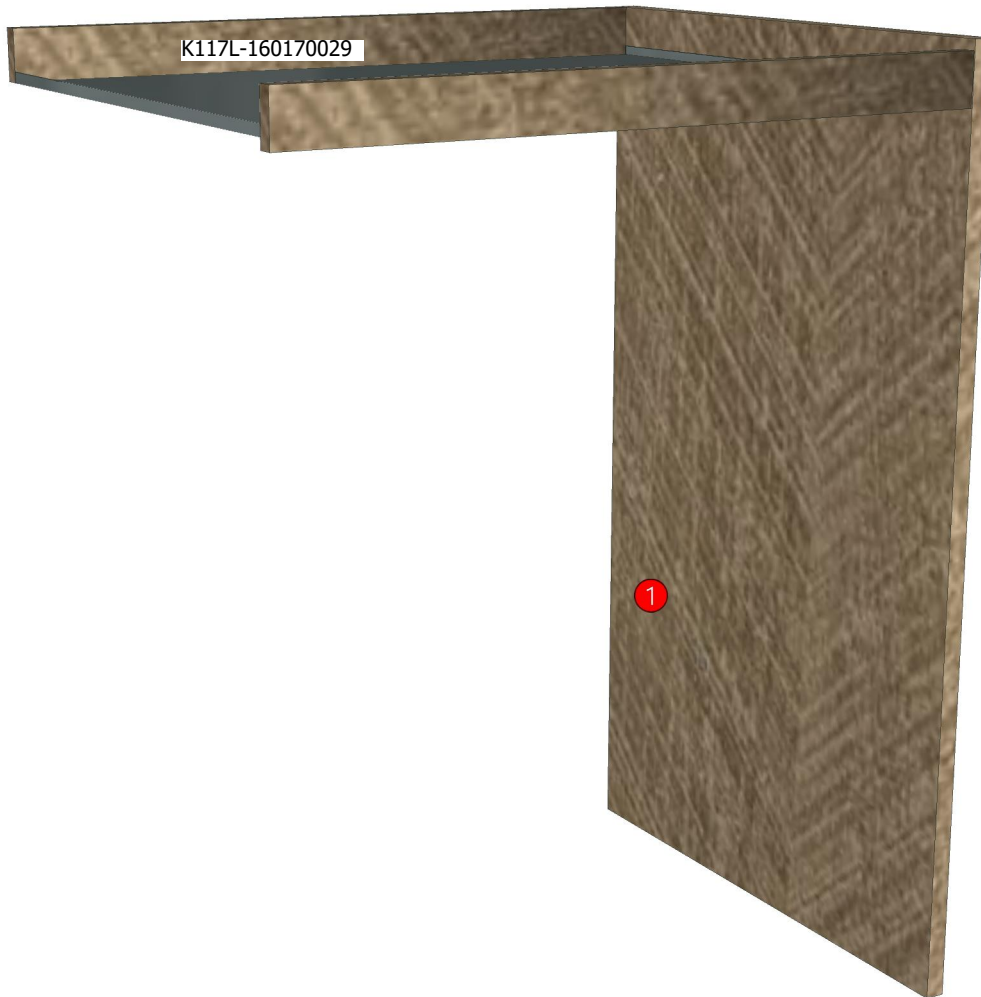


K103L-160169906

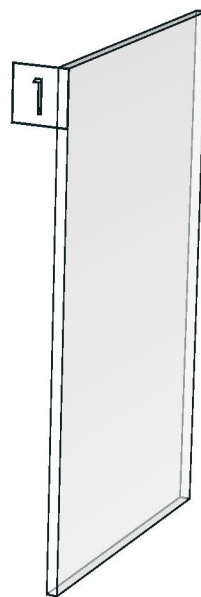
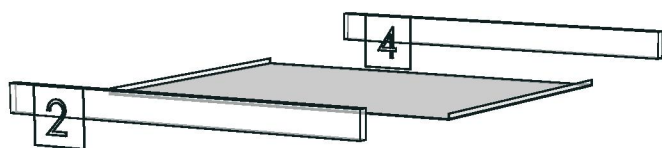
K116L-160170007

K104L-160169926

K117L-160170029



| | | | |
|-----------------|-------------------|------------------|--------------------|
| Model | -LIFE_CN2_DBO698R | | |
| Creator | | .BCP Name | INDEX_C3D_KITCHEN2 |
| Reviewer | | Order | I004484 |
| Approves | P. SAWAI | Date | |



| | | | |
|-----------------|-------------------|------------------|--------------------|
| Model | LIFE_CN2_DBS60LGR | | |
| Creator | PASATHORN | .BCP Name | INDEX_C3D_KITCHEN2 |
| Reviewer | | Order | I004485 |
| Approves | | Date | 13/10/2025 |

LIFE_CN2_DBS60LGR-600X570X913

Colour

05.38 ML MD692 (SS)_
05.30 ML WHITE SAND #VM1012/2610/2610(PEARL)_

Edge

01.286 1 MD692 _
01.465 0.6 CHARLOTTE MD692 (A1519TH00)_

| | |
|-------------------------------------|-------------------|
| R&D REVIEW | |
| <input checked="" type="checkbox"/> | DWG.Customer |
| <input checked="" type="checkbox"/> | Work Report |
| <input type="checkbox"/> | Function |
| <input type="checkbox"/> | สินค้าตรงตัวอย่าง |
| ผู้ทบทวน _____ | |

K103L-160169906

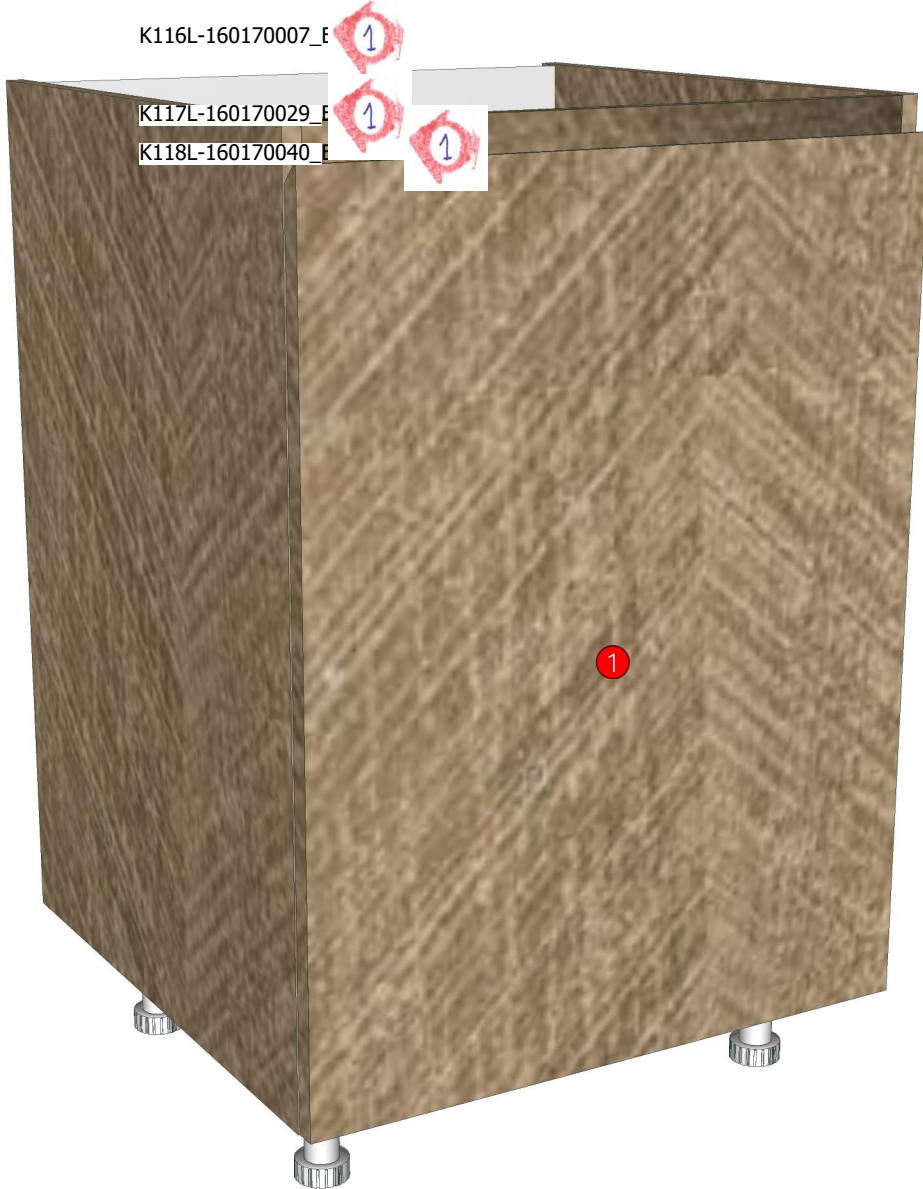
K116L-160170007_E

K104L-160169926

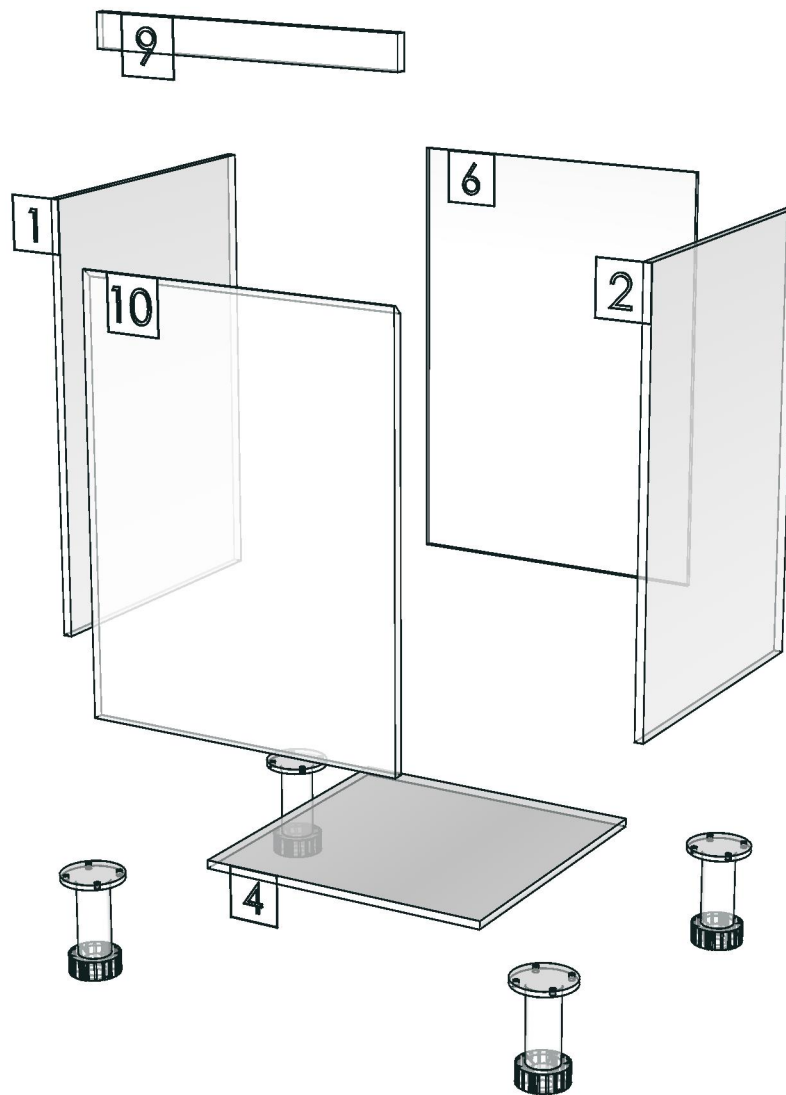
K117L-160170029_E

K105L-160169936

K118L-160170040_E



| | | | |
|-----------------|--------------------|------------------|--------------------|
| Model | -LIFE_CN2_DBS60LGR | | |
| Creator | | .BCP Name | INDEX_C3D_KITCHEN2 |
| Reviewer | | Order | I004485 |
| Approves | | Date | |



| | | | |
|-----------------|-----------------|------------------|--------------------|
| Model | LIFE_CN2_DDM700 | | |
| Creator | PASATHORN | .BCP Name | INDEX_C3D_KITCHEN2 |
| Reviewer | | Order | I004494 |
| Approves | P.SAWAI | Date | 13/10/2025 |

LIFE_CN2_DDM700-700X16X150

Colour

05.38 ML MD692 (SS)_

-
-
-
-

Edge

01.286 1 MD692 _

-
-
-
-

K101L-160169866

K114L-160169963

K101R-160169877

K114R-160169975

K103L-160169906

K116L-160170007

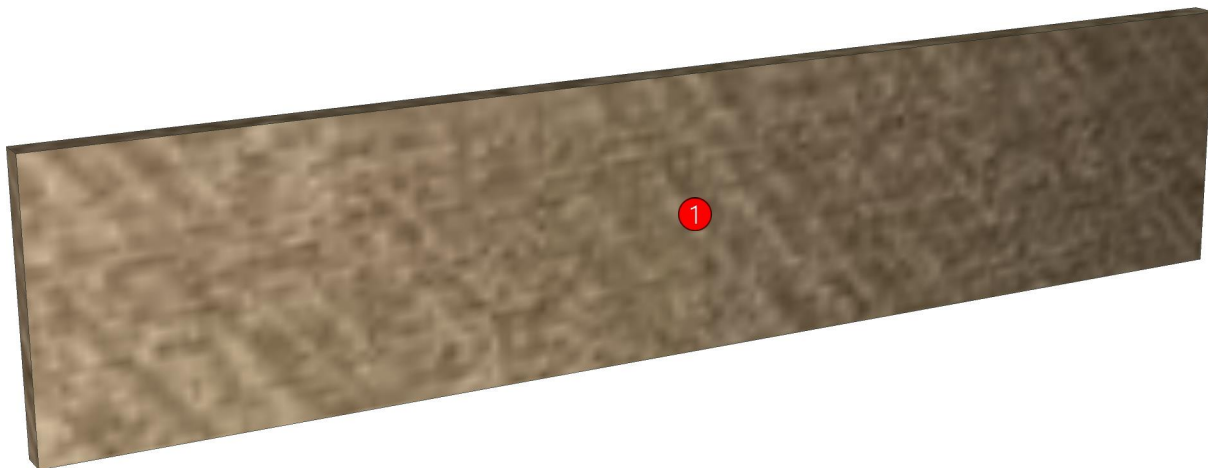
K103R-160169916

K116R-160170018

K104L-160169926

K117L-160170029

| | |
|-------------------------------------|-------------------|
| R&D REVIEW | |
| <input checked="" type="checkbox"/> | DWG.Customer |
| <input checked="" type="checkbox"/> | Work Report |
| <input type="checkbox"/> | Function |
| <input type="checkbox"/> | สินค้าตรงตัวอย่าง |
| ผู้ทบทวน <u>P.SAWAI</u> | |
| <u>25/10/25</u> | |



| | | | |
|-----------------|-----------------|------------------|--------------------|
| Model | LIFE_CN2_DDM700 | | |
| Creator | PASATHORN | .BCP Name | INDEX_C3D_KITCHEN2 |
| Reviewer | | Order | I004494 |
| Approves | P. SAWAI | Date | 13/10/2025 |

| No. | Article No. | Description | Mat | Dimension | Cutting Size | Typepology | Skin |
|-----|--------------------|-----------------|-------|------------|------------------|--------------------------------|------|
| 0 | LIFE_CN2_DDM700 | LIFE_CN2_DDM700 | | 700x150x16 | | | |
| | LIFE_CN2_DDM700-01 | DDM-SP | PB-SP | 16x150x700 | 16X148X699;L2:W1 | 183000 _STR=05.38 _EDG=MD692-1 | 2 |

| | | | |
|-----------------|--------------|------------------|--------------------|
| Model | LIFE_CN2_DFL | | |
| Creator | PASATHORN | .BCP Name | INDEX_C3D_KITCHEN2 |
| Reviewer | | Order | I004505 |
| Approves | P.SAWAI | Date | 13/10/2025 |

LIFE_CN2_DFL-150X16X900

Colour

05.38 ML MD692 (SS)_

-
-
-
-

K101L-160169866

K101R-160169877

K103L-160169906

K103R-160169916

K104L-160169926

Edge

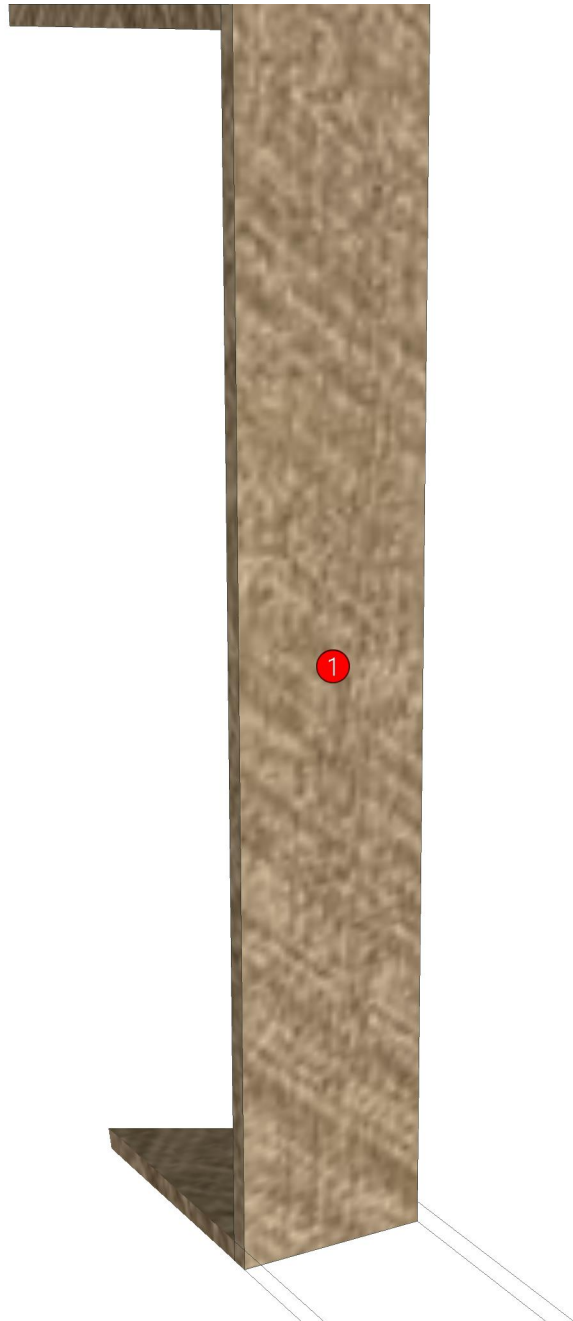
01.286 1 MD692 _

-
-
-
-

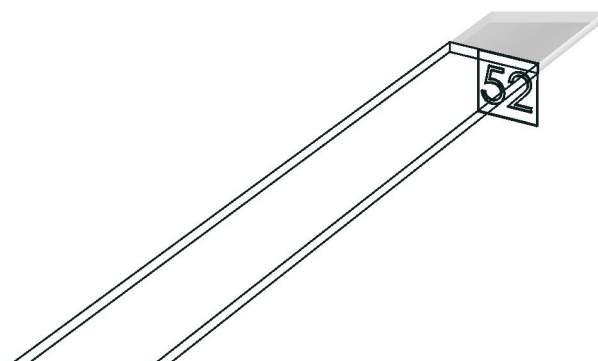
R&D REVIEW

- DWG.Customer
- Work Report
- Function
- สินค้าตรงตัวอย่าง

ผู้ทบทวน P.SAWAI
25/10/25



| | | | |
|-----------------|---------------|------------------|--------------------|
| Model | -LIFE_CN2_DFL | | |
| Creator | | .BCP Name | INDEX_C3D_KITCHEN2 |
| Reviewer | | Order | I004505 |
| Approves | P.SAWAI | Date | |



| | | | |
|-----------------|--------------------|------------------|--------------------|
| Model | LIFE_CN2_DF_CL1650 | | |
| Creator | PASATHORN | .BCP Name | INDEX_C3D_KITCHEN2 |
| Reviewer | | Order | I004501 |
| Approves | P.SAWAI | Date | 13/10/2025 |

LIFE_CN2_DF_CL1650-1650X16X155

Colour

05.38 ML MD692 (SS)_

-
-
-
-

Edge

01.286 1 MD692 _

-
-
-
-

R&D REVIEW

DWG.Customer

Work Report

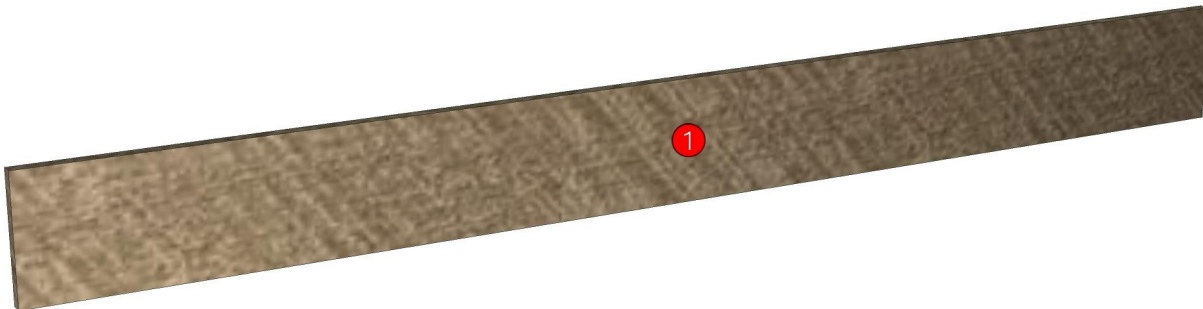
Function

สิ้นค้าตรงตัวอย่าง

ผู้ทบทวน P.SAWAI

25/10/25

K104L-160169926



| | | | |
|-----------------|--------------------|------------------|--------------------|
| Model | LIFE_CN2_DF_CL1650 | | |
| Creator | PASATHORN | .BCP Name | INDEX_C3D_KITCHEN2 |
| Reviewer | | Order | I004501 |
| Approves | P. SAWAI | Date | 13/10/2025 |

| No. | Article No. | Description | Mat | Dimension | Cutting Size | Typepology | Skin |
|-----|-----------------------|--------------------|-------|-------------|-------------------|--------------------------------|------|
| 0 | LIFE_CN2_DF_CL1650 | LIFE_CN2_DF_CL1650 | | 1650x155x16 | | | |
| | LIFE_CN2_DF_CL1650-01 | DF_CL-SP | PB-SP | 16x155x1650 | 16X154X1649;L1:W1 | 183000 _STR=05.38 _EDG=MD692-1 | 2 |

| | | | |
|-----------------|-------------------|------------------|--------------------|
| Model | LIFE_CN2_DF_CL350 | | |
| Creator | PASATHORN | .BCP Name | INDEX_C3D_KITCHEN2 |
| Reviewer | | Order | I004496 |
| Approves | P.SAWAI | Date | 13/10/2025 |

LIFE_CN2_DF_CL350-350X16X155

Colour

05.38 ML MD692 (SS)_

-

-

-

K100L-160169850

K100R-160169858

K102L-160169888

K102R-160169897

K103L-160169906

K103R-160169916

K104L-160169926

K105L-160169936

Edge

01.286 1 MD692 _

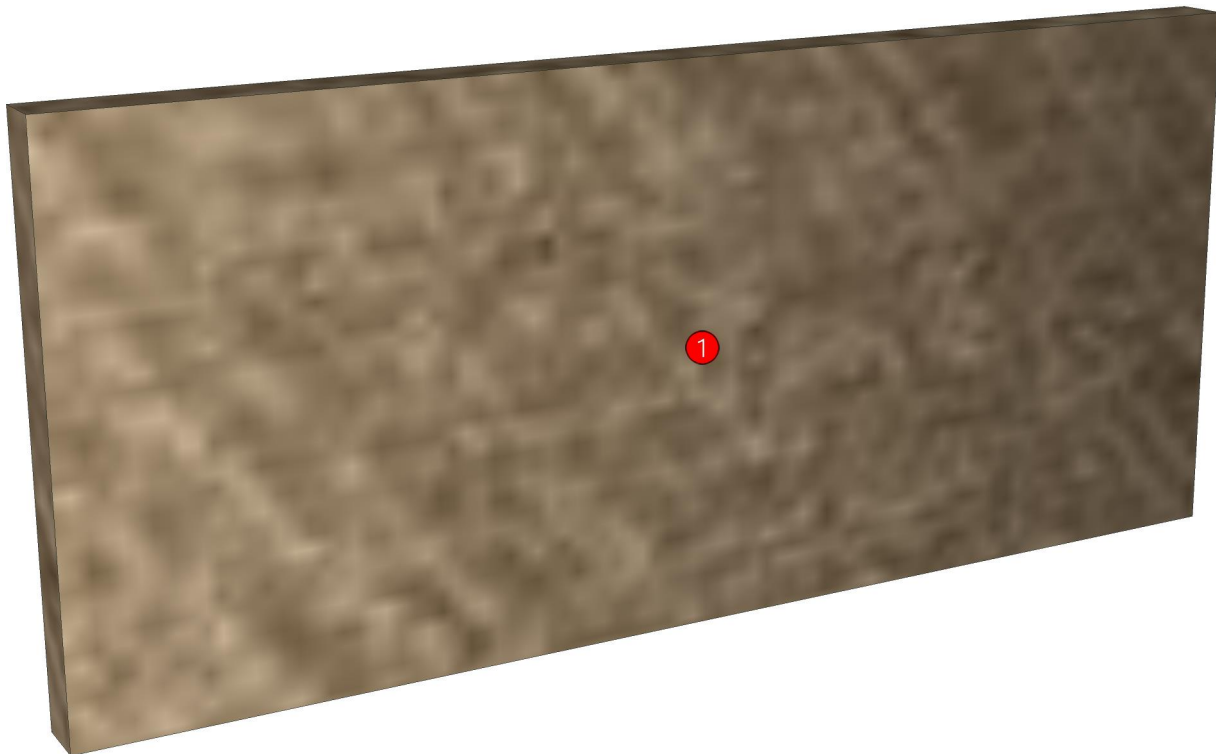
-

-

-

-

| | |
|-------------------------------------|-------------------|
| R&D REVIEW | |
| <input checked="" type="checkbox"/> | DWG.Customer |
| <input checked="" type="checkbox"/> | Work Report |
| <input type="checkbox"/> | Function |
| <input type="checkbox"/> | สินค้าตรงตัวอย่าง |
| ผู้ทบทวน <u>P.SAWAI</u> | |
| <u>25/10/25</u> | |



| | | | |
|-----------------|-------------------|------------------|--------------------|
| Model | LIFE_CN2_DF_CL350 | | |
| Creator | PASATHORN | .BCP Name | INDEX_C3D_KITCHEN2 |
| Reviewer | | Order | I004496 |
| Approves | P. SAWAI | Date | 13/10/2025 |

| No. | Article No. | Description | Mat | Dimension | Cutting Size | Typepology | Skin |
|-----|----------------------|-------------------|-------|------------|------------------|--------------------------------|------|
| 0 | LIFE_CN2_DF_CL350 | LIFE_CN2_DF_CL350 | | 350x155x16 | | | |
| | LIFE_CN2_DF_CL350-01 | DF_CL-SP | PB-SP | 16x155x350 | 16X154X349;L1:W1 | 183000 _STR=05.38 _EDG=MD692-1 | 2 |

| | | | |
|-----------------|-----------------|------------------|--------------------|
| Model | LIFE_CN2_DL60HR | | |
| Creator | PASATHORN | .BCP Name | INDEX_C3D_KITCHEN2 |
| Reviewer | | Order | I004511 |
| Approves | P.SAWAI | Date | 13/10/2025 |

LIFE_CN2_DL60HR-600X350X860

Colour

05.38 ML MD692 (SS)_

05.30 ML WHITE SAND #VM1012/2610/2610(PEARL)_

-

-

-

K101L-160169866

K103L-160169906

K104L-160169926

Edge

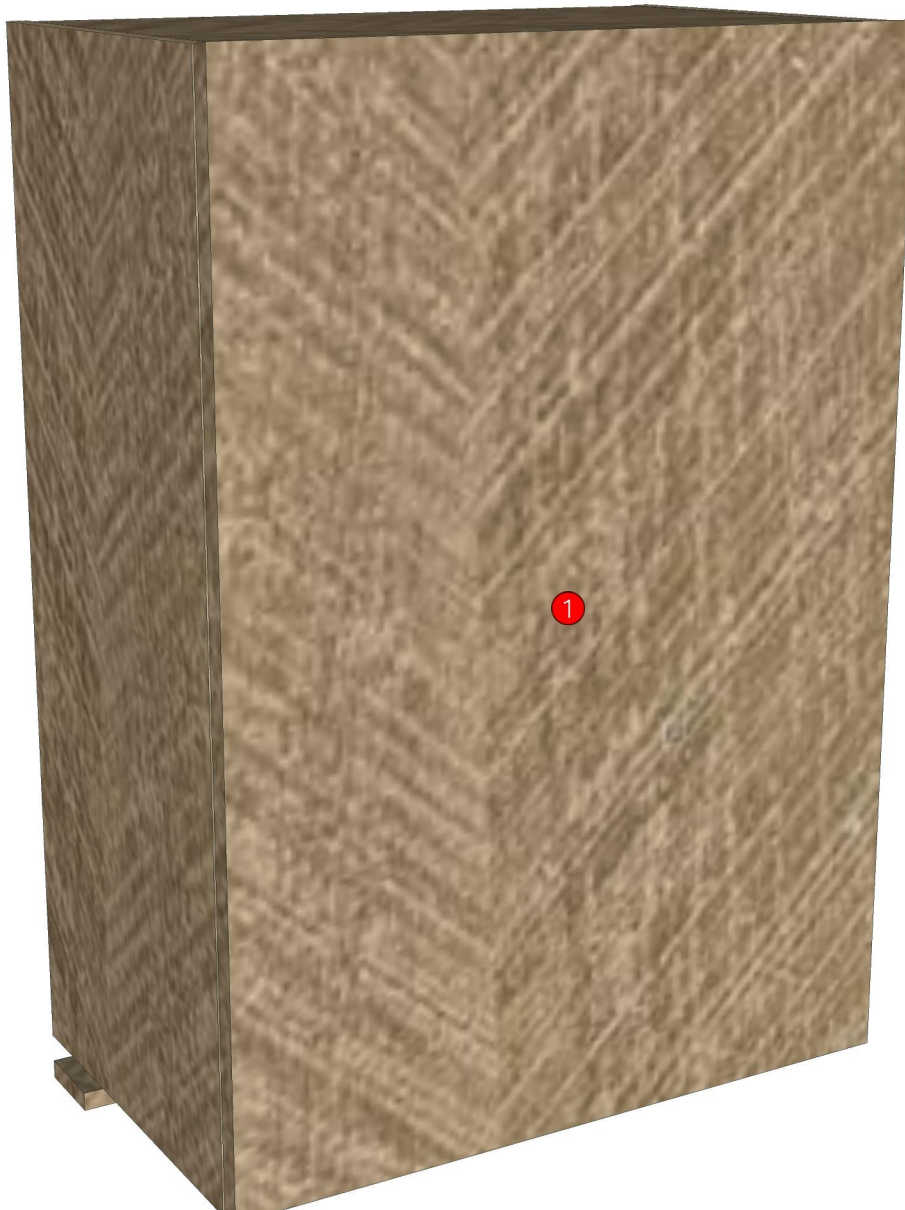
01.286 1 MD692 _

01.47 1 WHITE _

-

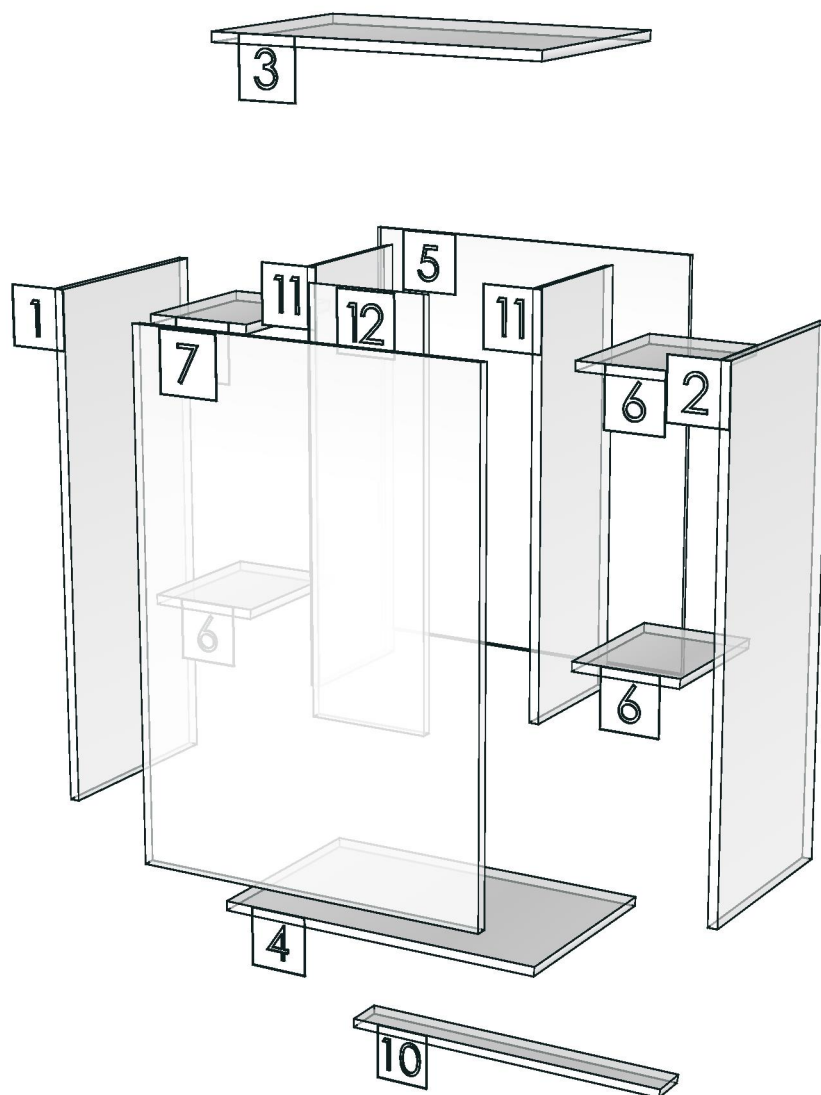
-

-



| | |
|-------------------------------------|-------------------|
| R&D REVIEW | |
| <input checked="" type="checkbox"/> | DWG.Customer |
| <input checked="" type="checkbox"/> | Work Report |
| <input type="checkbox"/> | Function |
| <input type="checkbox"/> | สินค้าตรงตัวอย่าง |
| ผู้ทบทวน <u>P.SAWAI</u> | |
| <u>25/10/25</u> | |

| | | | |
|-----------------|------------------|------------------|--------------------|
| Model | -LIFE_CN2_DL60HR | | |
| Creator | | .BCP Name | INDEX_C3D_KITCHEN2 |
| Reviewer | | Order | I004511 |
| Approves | P.SAWAI | Date | |



| | | | |
|-----------------|------------------|------------------|--------------------|
| Model | LIFE_CN2_DLMV95L | | |
| Creator | PASATHORN | .BCP Name | INDEX_C3D_KITCHEN2 |
| Reviewer | | Order | I004520 |
| Approves | P.SAWAI | Date | 13/10/2025 |

LIFE_CN2_DLMV95L-950X400X1050

Colour

05.38 ML MD692 (SS)_

05.30 ML WHITE SAND #VM1012/2610/2610(PEARL)_

-

-

-

Edge

01.286 1 MD692 _

01.47 1 WHITE _

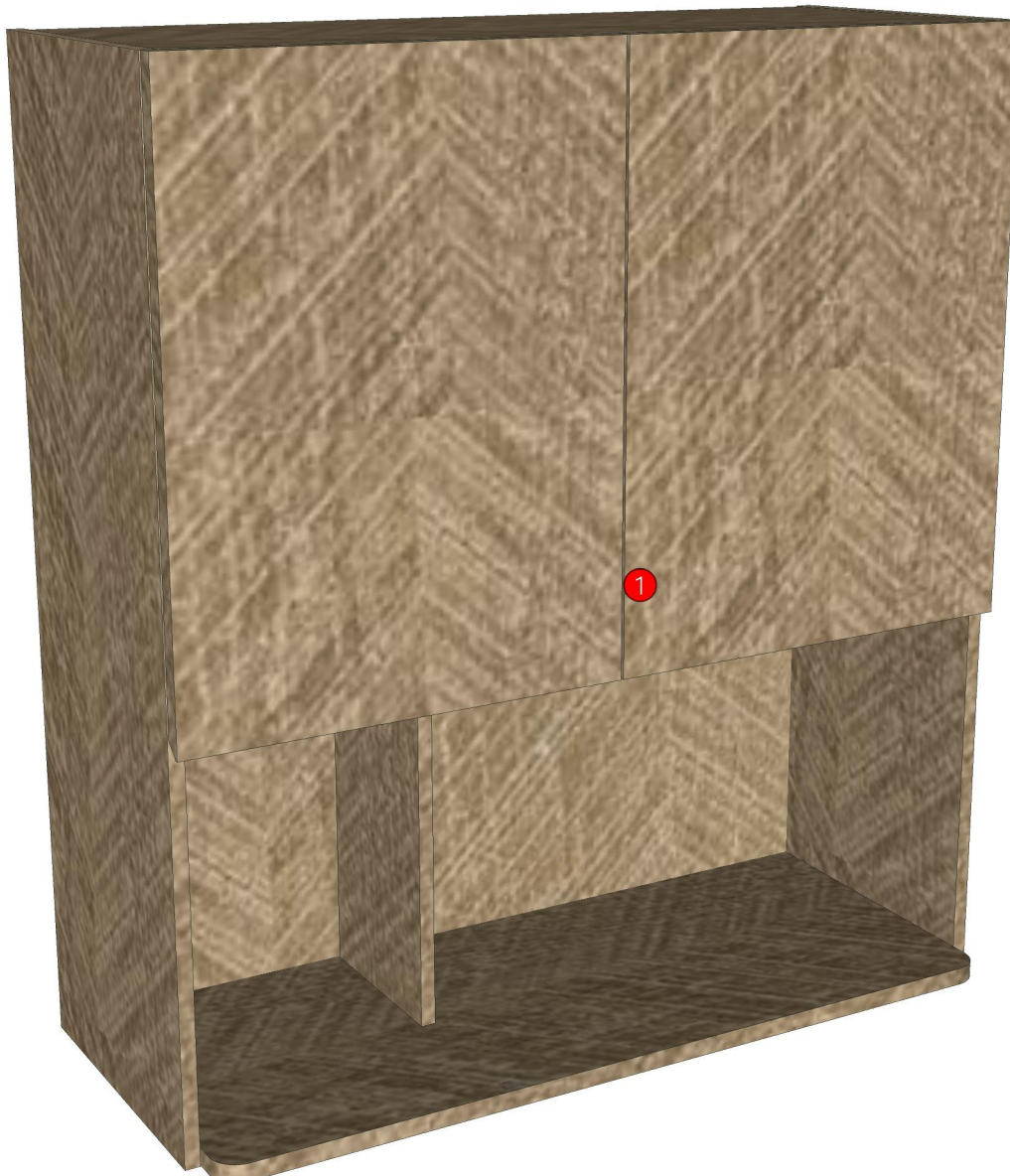
-

-

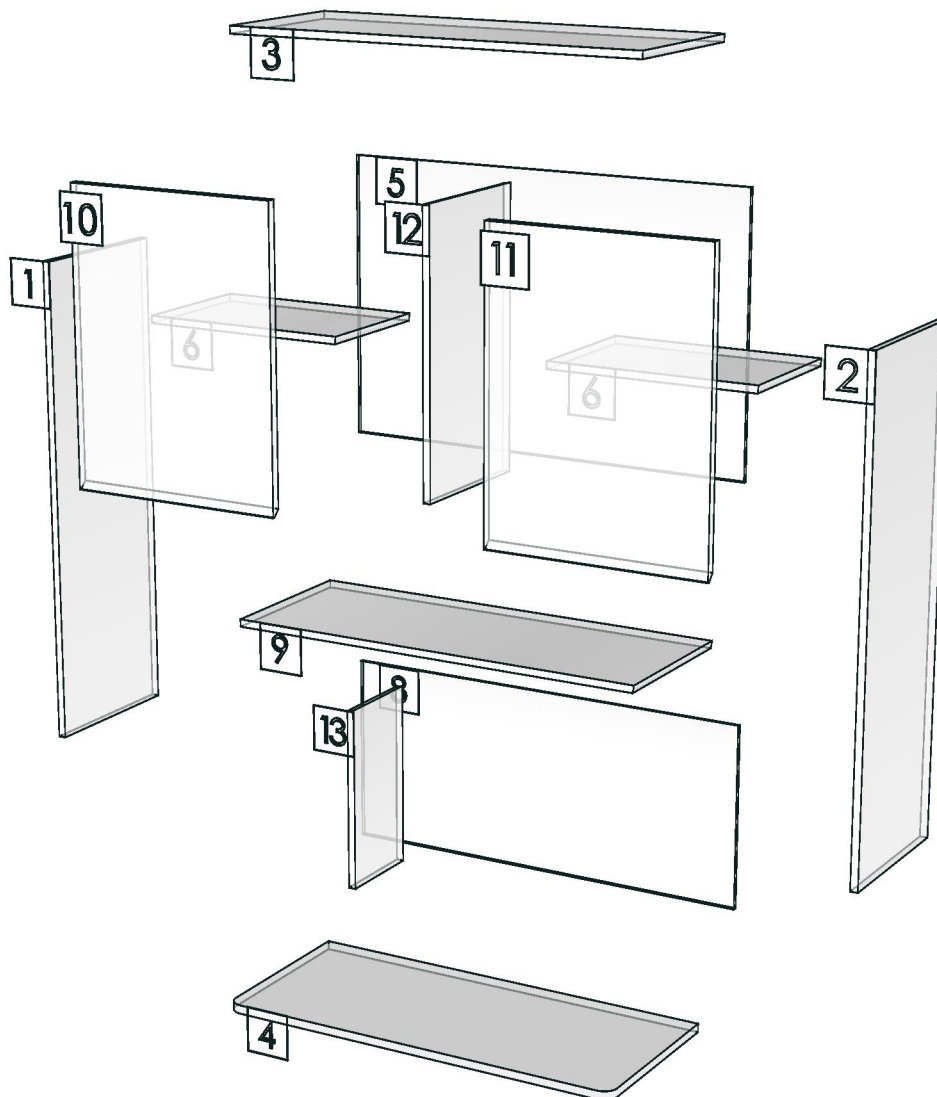
-

| | |
|-------------------------------------|-------------------|
| R&D REVIEW | |
| <input checked="" type="checkbox"/> | DWG.Customer |
| <input checked="" type="checkbox"/> | Work Report |
| <input type="checkbox"/> | Function |
| <input type="checkbox"/> | สินค้าตรงตัวอย่าง |
| ผู้ทบทวน <u>P.SAWAI</u> | |
| <u>25/10/25</u> | |

K104L-160169926



| | | | |
|-----------------|-------------------|------------------|--------------------|
| Model | -LIFE_CN2_DLMV95L | | |
| Creator | | .BCP Name | INDEX_C3D_KITCHEN2 |
| Reviewer | | Order | I004520 |
| Approves | P. SAWAI | Date | |



| | | | |
|-----------------|-------------------|------------------|--------------------|
| Model | LIFE_CN2_D_PLT600 | | |
| Creator | PASATHORN | .BCP Name | INDEX_C3D_KITCHEN2 |
| Reviewer | | Order | I004524 |
| Approves | P.SAWAI | Date | 16/10/2025 |

LIFE_CN2_D_PLT600-600X9X100

Colour

05.38 ML MD692 (SS)_

-

-

-

K100L-160169850

K100R-160169858

K101L-160169866

K101R-160169877

K102L-160169888

K102R-160169897

K103L-160169906

K103R-160169916

K104L-160169926

K105L-160169936

Edge

01.286 1 MD692 _

-

-

-

-

K113L-160169945

K113R-160169954

K114L-160169963

K114R-160169975

K115L-160169987

K115R-160169997

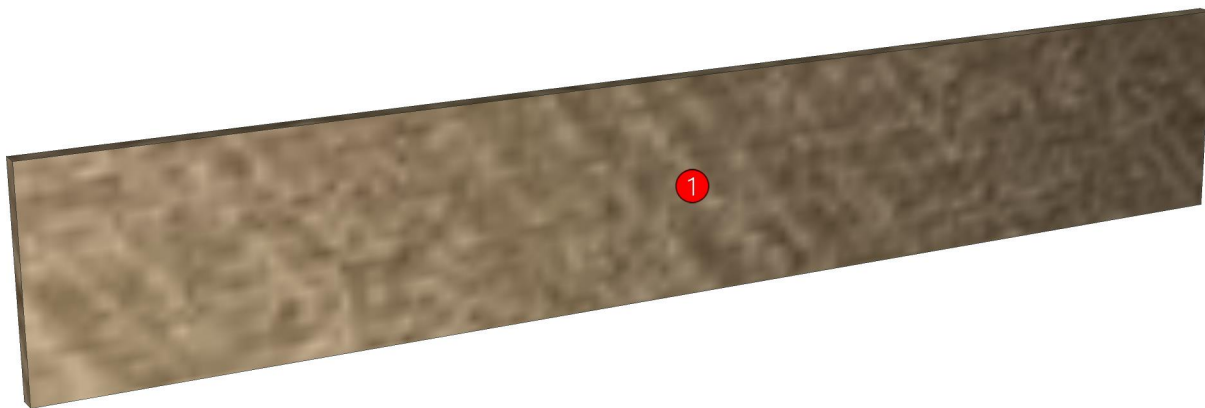
K116L-160170007

K116R-160170018

K117L-160170029

K118L-160170040

| | |
|-------------------------------------|-------------------|
| R&D REVIEW | |
| <input checked="" type="checkbox"/> | DWG.Customer |
| <input checked="" type="checkbox"/> | Work Report |
| <input type="checkbox"/> | Function |
| <input type="checkbox"/> | สินค้าตรงตัวอย่าง |
| ผู้ทบทวน P.SAWAI | |
| 25/10/25 | |



| | | | |
|-----------------|-------------------|------------------|--------------------|
| Model | LIFE_CN2_D_PLT600 | | |
| Creator | PASATHORN | .BCP Name | INDEX_C3D_KITCHEN2 |
| Reviewer | | Order | I004524 |
| Approves | P. SAWAI | Date | 16/10/2025 |

| No. | Article No. | Description | Mat | Dimension | Cutting Size | Typepology | Skin |
|-----|----------------------|-------------------|-------|-----------|----------------|--------------------------------|------|
| 0 | LIFE_CN2_D_PLT600 | LIFE_CN2_D_PLT600 | | 600x100x9 | | | |
| | LIFE_CN2_D_PLT600-01 | D_PLINT-SP | PB-SP | 9x100x600 | 9X98X598;L2:W2 | 183000 _STR=05.38 _EDG=MD692-1 | 2 |

| | | | |
|-----------------|-------------------|------------------|--------------------|
| Model | LIFE_CN2_D_PLT900 | | |
| Creator | PASATHORN | .BCP Name | INDEX_C3D_KITCHEN2 |
| Reviewer | | Order | I004472 |
| Approves | P.SAWAI | Date | 13/10/2025 |

LIFE_CN2_D_PLT900-900X9X100

Colour

05.38 ML MD692 (SS)_

-
-
-
-

Edge

01.286 1 MD692 _

-
-
-
-

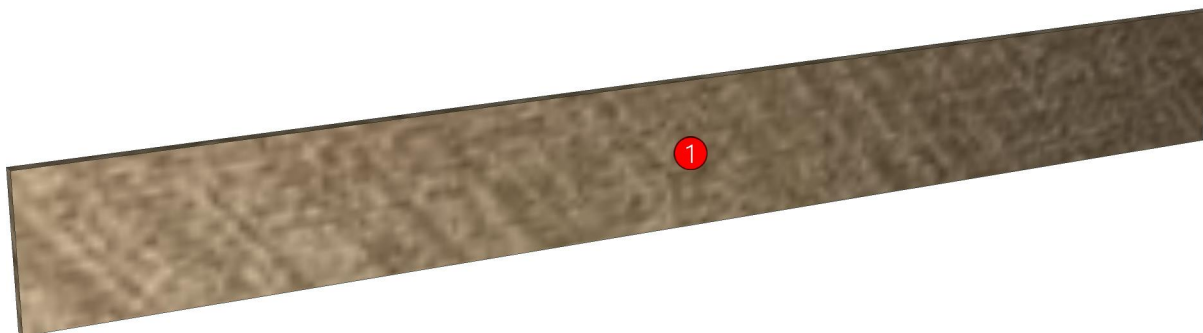
| | |
|-------------------------------------|-------------------|
| R&D REVIEW | |
| <input checked="" type="checkbox"/> | DWG.Customer |
| <input checked="" type="checkbox"/> | Work Report |
| <input type="checkbox"/> | Function |
| <input type="checkbox"/> | สินค้าตรงตัวอย่าง |
| ผู้ทบทวน <u>P.SAWAI</u> | |
| <u>13/10/2025</u> | |

K104L-160169926

K117L-160170029

K105L-160169936

K118L-160170040



| | | | |
|-----------------|-------------------|------------------|--------------------|
| Model | LIFE_CN2_D_PLT900 | | |
| Creator | PASATHORN | .BCP Name | INDEX_C3D_KITCHEN2 |
| Reviewer | | Order | I004472 |
| Approves | P. SAWAI | Date | 13/10/2025 |

| No. | Article No. | Description | Mat | Dimension | Cutting Size | Typepology | Skin |
|-----|----------------------|-------------------|-------|-----------|----------------|--------------------------------|------|
| 0 | LIFE_CN2_D_PLT900 | LIFE_CN2_D_PLT900 | | 900x100x9 | | | |
| | LIFE_CN2_D_PLT900-01 | D_PLINT-SP | PB-SP | 9x100x900 | 9X98X898;L2:W2 | 183000 _STR=05.38 _EDG=MD692-1 | 2 |