

Model	LIFE_CN2_DBD20G		
Creator	PASATHORN	.BCP Name	INDEX_C3D_KITCHEN2
Reviewer		Order	I004475
Approves	P.SAWAI	Date	13/10/2025

LIFE_CN2_DBD20G-200X570X913

Colour

05.38 ML MD692 (SS)_
05.30 ML WHITE SAND #VM1012/2610/2610(PEARL)_
-
-
-

Edge

01.286 1 MD692 _
-
-
-

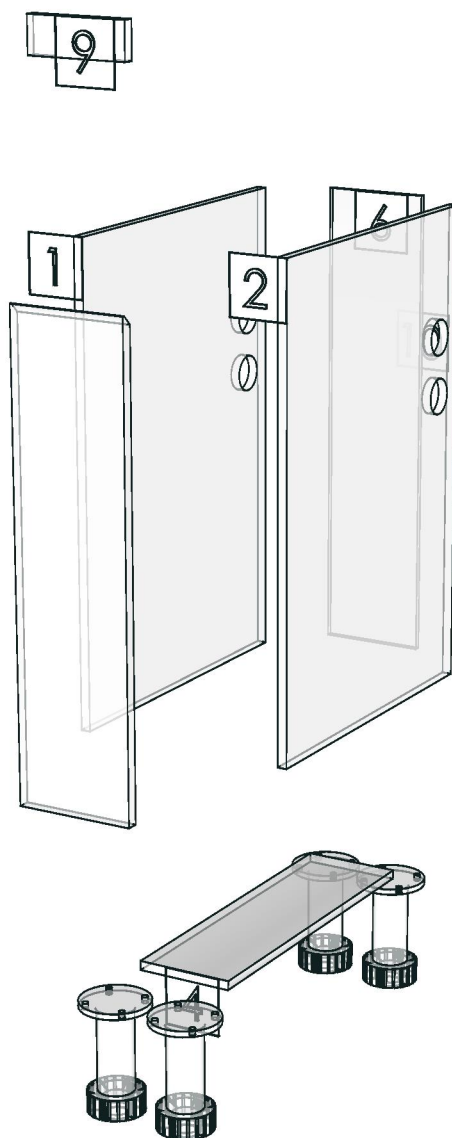
R&D REVIEW	
<input checked="" type="checkbox"/>	DWG.Customer
<input checked="" type="checkbox"/>	Work Report
<input type="checkbox"/>	Function
<input type="checkbox"/>	สินค้าตรงตัวอย่าง
ผู้ทบทวน <u>P.SAWAI</u>	
<u>25/10/25</u>	

K103L-160169906
K103R-160169916

K116L-160170007
K116R-160170018



Model	-LIFE_CN2_DBD20G		
Creator		.BCP Name	INDEX_C3D_KITCHEN2
Reviewer		Order	I004475
Approves	P. SAWAI	Date	



Model	LIFE_CN2_DBO698R		
Creator	PASATHORN	.BCP Name	INDEX_C3D_KITCHEN2
Reviewer		Order	I004484
Approves	P.SAWAI	Date	13/10/2025

LIFE_CN2_DBO698R-698X570X913

Colour

05.38 ML MD692 (SS)_

05.30 ML WHITE SAND #VM1012/2610/2610(PEARL)_

-

-

-

Edge

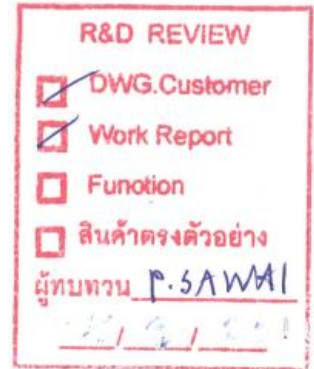
01.286 1 MD692 _

01.47 1 WHITE _

-

-

-

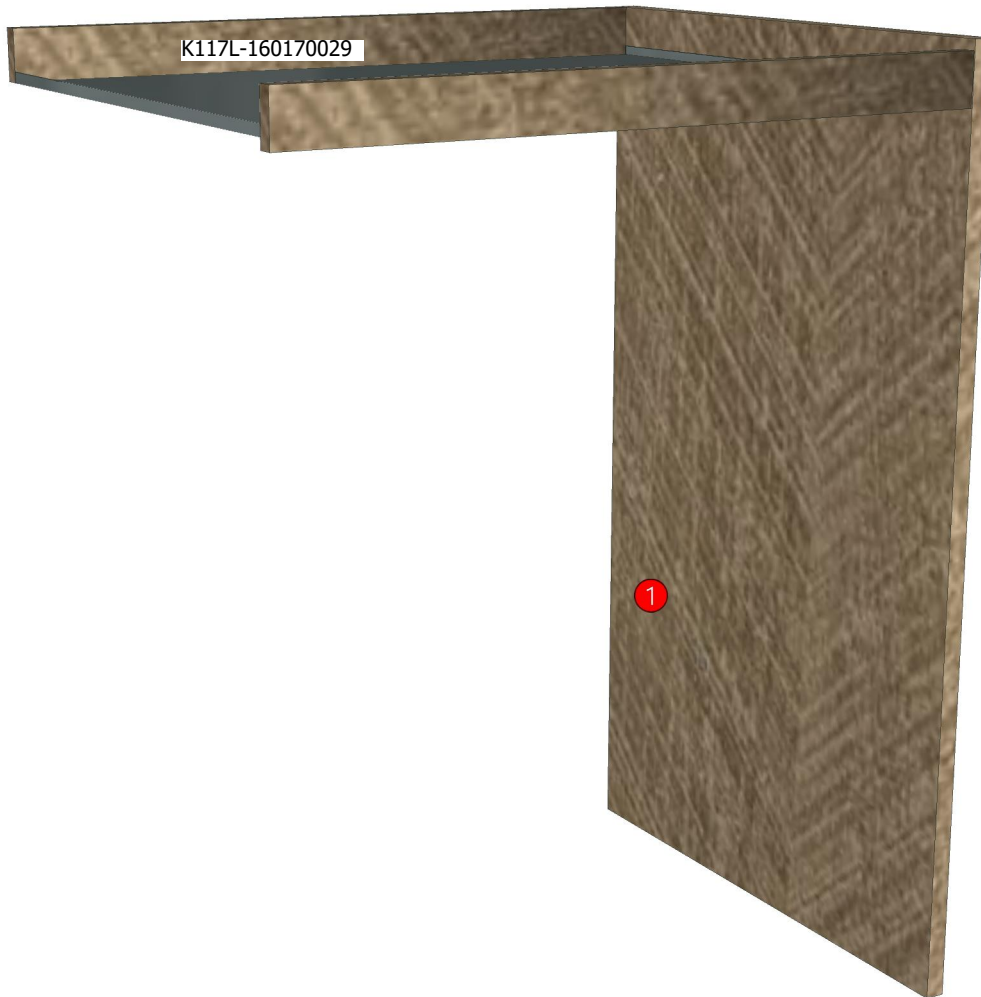


K103L-160169906

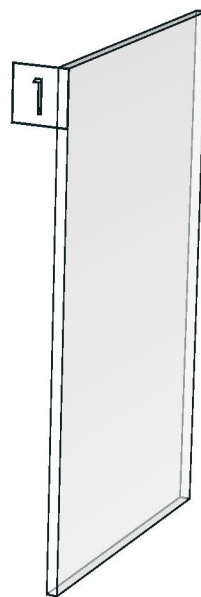
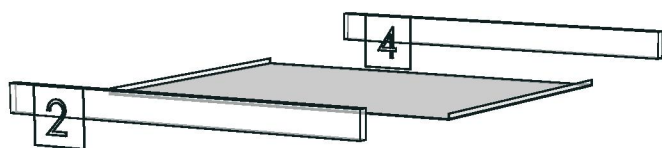
K116L-160170007

K104L-160169926

K117L-160170029



Model	-LIFE_CN2_DBO698R		
Creator		.BCP Name	INDEX_C3D_KITCHEN2
Reviewer		Order	I004484
Approves	P.SAWAI	Date	



Model	LIFE_CN2_DBS60LGR		
Creator	PASATHORN	.BCP Name	INDEX_C3D_KITCHEN2
Reviewer		Order	I004485
Approves		Date	13/10/2025

LIFE_CN2_DBS60LGR-600X570X913

Colour

05.38 ML MD692 (SS)_
05.30 ML WHITE SAND #VM1012/2610/2610(PEARL)_

Edge

01.286 1 MD692 _
01.465 0.6 CHARLOTTE MD692 (A1519TH00)_

R&D REVIEW	
<input checked="" type="checkbox"/>	DWG.Customer
<input checked="" type="checkbox"/>	Work Report
<input type="checkbox"/>	Function
<input type="checkbox"/>	สินค้าตรงตัวอย่าง
ผู้ทบทวน _____	

K103L-160169906

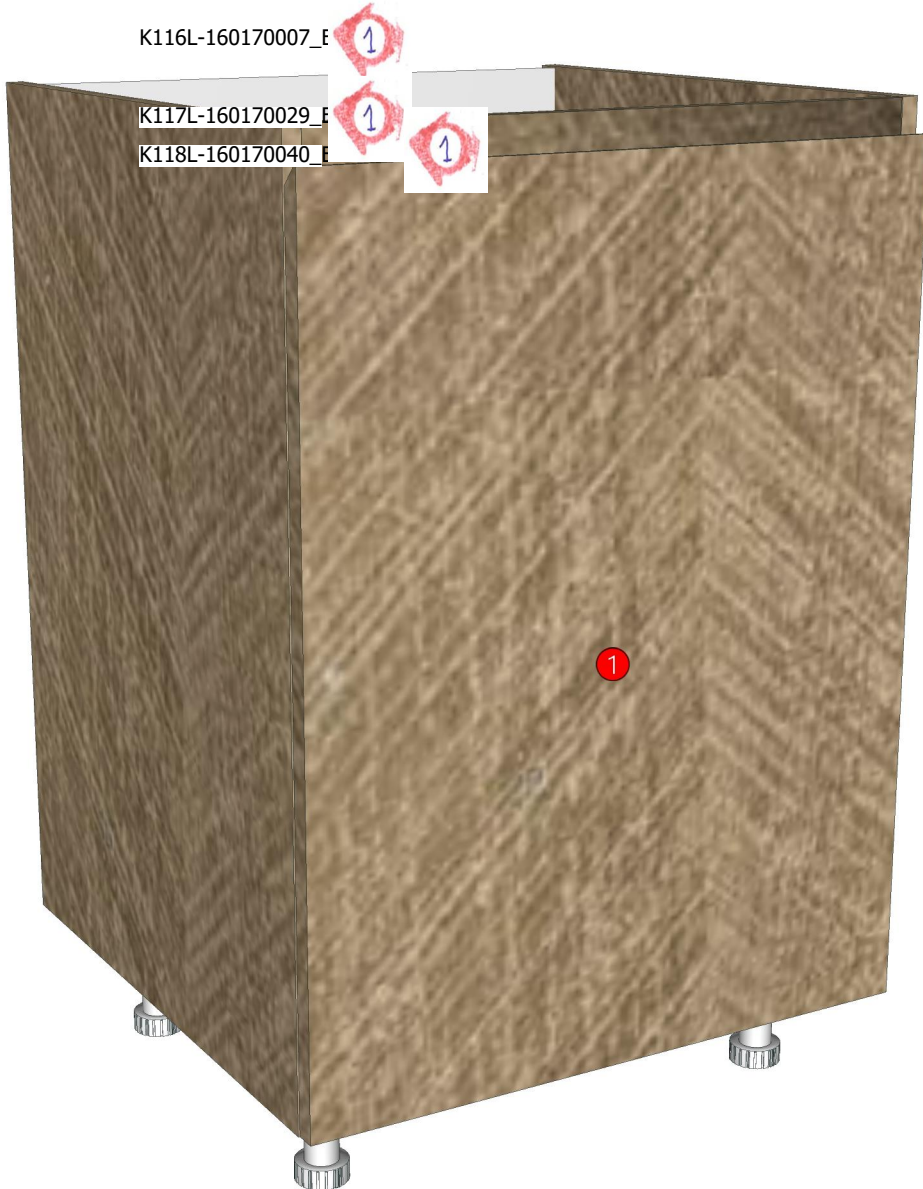
K116L-160170007_E

K104L-160169926

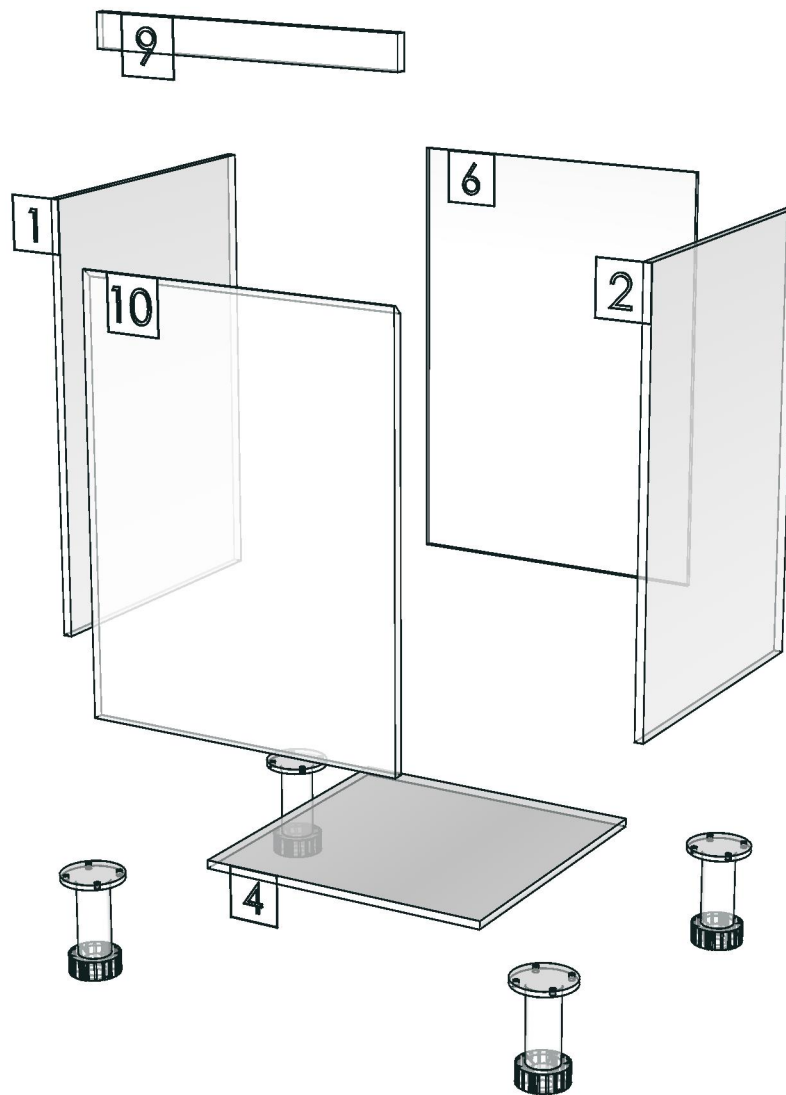
K117L-160170029_E

K105L-160169936

K118L-160170040_E



Model	-LIFE_CN2_DBS60LGR		
Creator		.BCP Name	INDEX_C3D_KITCHEN2
Reviewer		Order	I004485
Approves		Date	



Model	LIFE_CN2_DDM700		
Creator	PASATHORN	.BCP Name	INDEX_C3D_KITCHEN2
Reviewer		Order	I004494
Approves	P.SAWAI	Date	13/10/2025

LIFE_CN2_DDM700-700X16X150

Colour

05.38 ML MD692 (SS)_

-
-
-
-

K101L-160169866

K101R-160169877

K103L-160169906

K103R-160169916

K104L-160169926

Edge

01.286 1 MD692 _

-
-
-
-

K114L-160169963

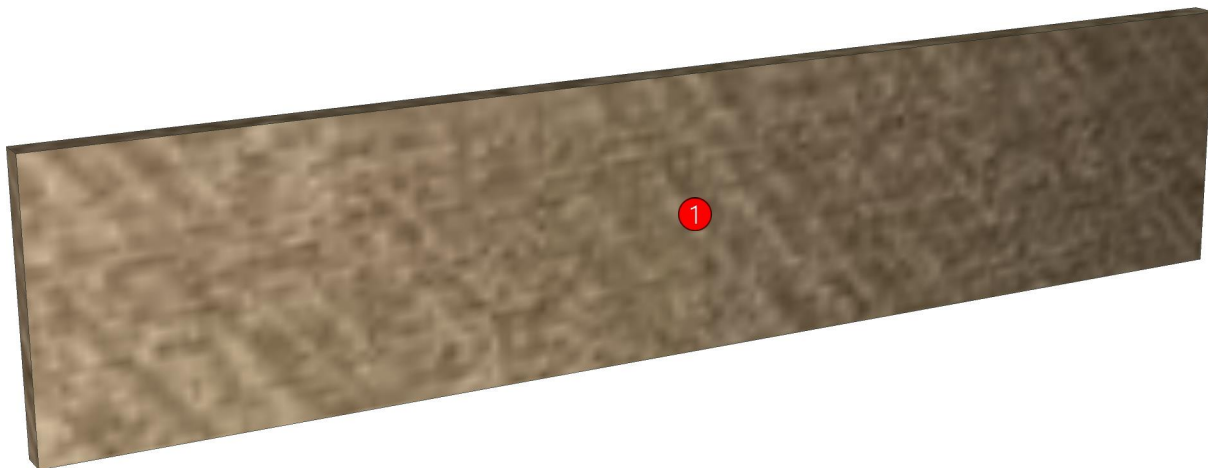
K114R-160169975

K116L-160170007

K116R-160170018

K117L-160170029

R&D REVIEW	
<input checked="" type="checkbox"/>	DWG.Customer
<input checked="" type="checkbox"/>	Work Report
<input type="checkbox"/>	Function
<input type="checkbox"/>	สินค้าตรงตัวอย่าง
ผู้ทบทวน <u>P.SAWAI</u>	
<u>25/10/25</u>	



Model	LIFE_CN2_DDM700		
Creator	PASATHORN	.BCP Name	INDEX_C3D_KITCHEN2
Reviewer		Order	I004494
Approves	P. SAWAI	Date	13/10/2025

No.	Article No.	Description	Mat	Dimension	Cutting Size	Typepology	Skin
0	LIFE_CN2_DDM700	LIFE_CN2_DDM700		700x150x16			
	LIFE_CN2_DDM700-01	DDM-SP	PB-SP	16x150x700	16X148X699;L2:W1	183000 _STR=05.38 _EDG=MD692-1	2

Model	LIFE_CN2_DFL		
Creator	PASATHORN	.BCP Name	INDEX_C3D_KITCHEN2
Reviewer		Order	I004505
Approves	P.SAWAI	Date	13/10/2025

LIFE_CN2_DFL-150X16X900

Colour

05.38 ML MD692 (SS)_

-
-
-
-

K101L-160169866

K101R-160169877

K103L-160169906

K103R-160169916

K104L-160169926

Edge

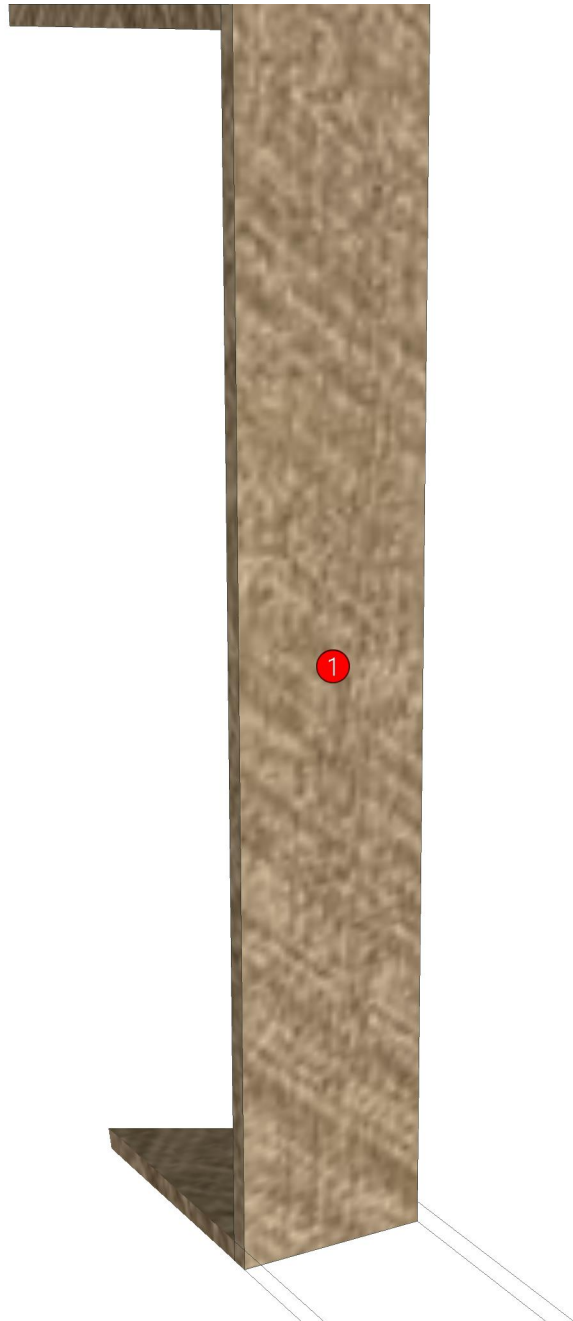
01.286 1 MD692 _

-
-
-
-

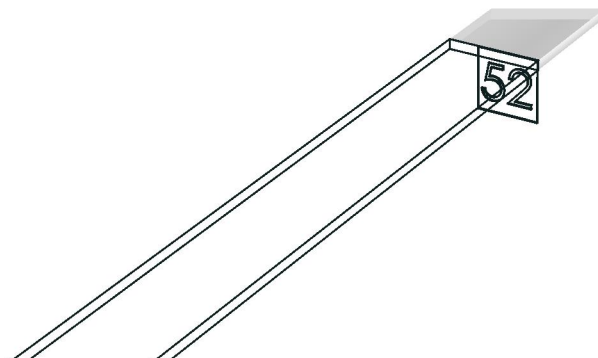
R&D REVIEW

- DWG.Customer
- Work Report
- Function
- สินค้าตรงตัวอย่าง

ผู้ทบทวน P.SAWAI
13/10/25



Model	-LIFE_CN2_DFL		
Creator		.BCP Name	INDEX_C3D_KITCHEN2
Reviewer		Order	I004505
Approves	P. SAWAI	Date	



Model	LIFE_CN2_DF_CL1550		
Creator	PASATHORN	.BCP Name	INDEX_C3D_KITCHEN2
Reviewer		Order	I004499
Approves	P.SAWAI	Date	13/10/2025

LIFE_CN2_DF_CL1550-1550X16X155

Colour

05.38 ML MD692 (SS)_

-
-
-
-

Edge

01.286 1 MD692 _

-
-
-
-

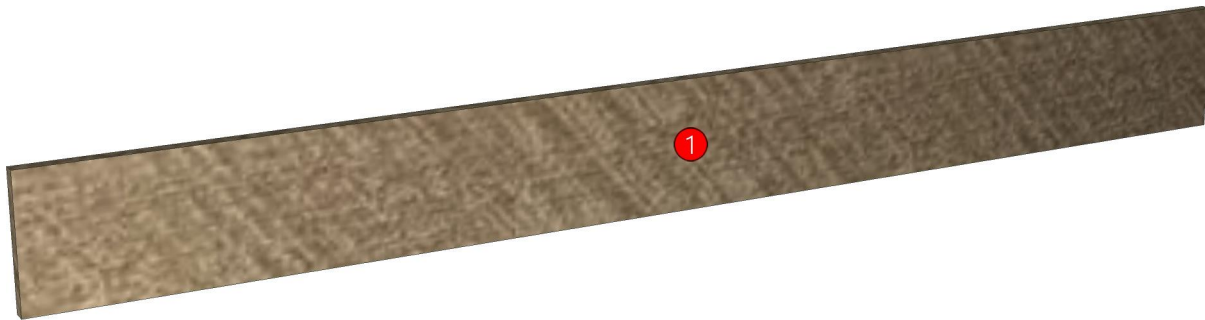
R&D REVIEW

- DWG.Customer
- Work Report
- Function
- สินค้าตรงตัวอย่าง

ผู้ทบทวน P.SAWAI
25/10/25

K103L-160169906

K103R-160169916



Model	LIFE_CN2_DF_CL1550		
Creator	PASATHORN	.BCP Name	INDEX_C3D_KITCHEN2
Reviewer		Order	I004499
Approves	P. SAWAI	Date	13/10/2025

No.	Article No.	Description	Mat	Dimension	Cutting Size	Typepology	Skin
0	LIFE_CN2_DF_CL1550	LIFE_CN2_DF_CL1550		1550x155x16			
	LIFE_CN2_DF_CL1550-01	DF_CL-SP	PB-SP	16x155x1550	16X154X1549;L1:W1	183000 _STR=05.38 _EDG=MD692-1	2

Model	LIFE_CN2_DF_CL350		
Creator	PASATHORN	.BCP Name	INDEX_C3D_KITCHEN2
Reviewer		Order	I004496
Approves	P.SAWAI	Date	13/10/2025

LIFE_CN2_DF_CL350-350X16X155

Colour

05.38 ML MD692 (SS)_

-

-

-

K100L-160169850

K100R-160169858

K102L-160169888

K102R-160169897

K103L-160169906

K103R-160169916

K104L-160169926

K105L-160169936

Edge

01.286 1 MD692 _

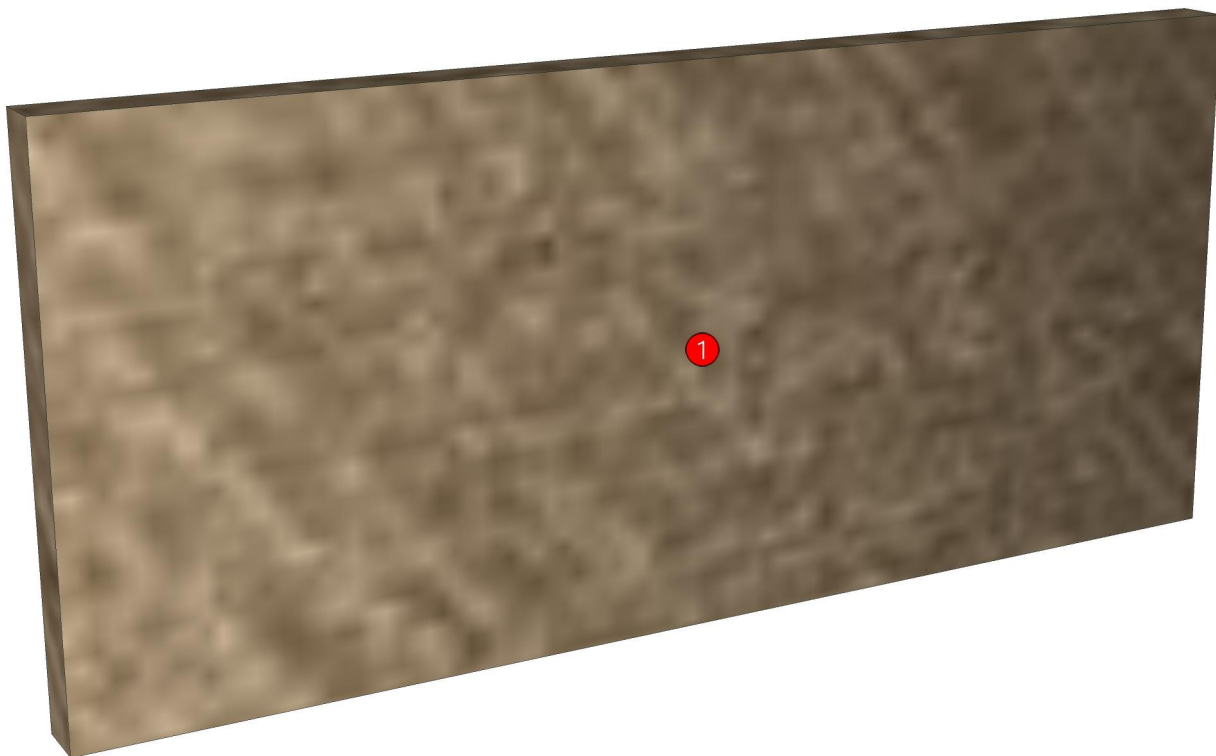
-

-

-

-

R&D REVIEW	
<input checked="" type="checkbox"/>	DWG.Customer
<input checked="" type="checkbox"/>	Work Report
<input type="checkbox"/>	Function
<input type="checkbox"/>	สินค้าตรงตัวอย่าง
ผู้ทบทวน <u>P.SAWAI</u>	
<u>25/10/25</u>	



Model	LIFE_CN2_DF_CL350		
Creator	PASATHORN	.BCP Name	INDEX_C3D_KITCHEN2
Reviewer		Order	I004496
Approves	P. SAWAI	Date	13/10/2025

No.	Article No.	Description	Mat	Dimension	Cutting Size	Typepology	Skin
0	LIFE_CN2_DF_CL350	LIFE_CN2_DF_CL350		350x155x16			
	LIFE_CN2_DF_CL350-01	DF_CL-SP	PB-SP	16x155x350	16X154X349;L1:W1	183000 _STR=05.38 _EDG=MD692-1	2

Model	LIFE_CN2_DL60HR		
Creator	PASATHORN	.BCP Name	INDEX_C3D_KITCHEN2
Reviewer		Order	I004511
Approves	P.SAWAI	Date	13/10/2025

LIFE_CN2_DL60HR-600X350X860

Colour

05.38 ML MD692 (SS)_

05.30 ML WHITE SAND #VM1012/2610/2610(PEARL)_

-

-

-

K101L-160169866

K103L-160169906

K104L-160169926

Edge

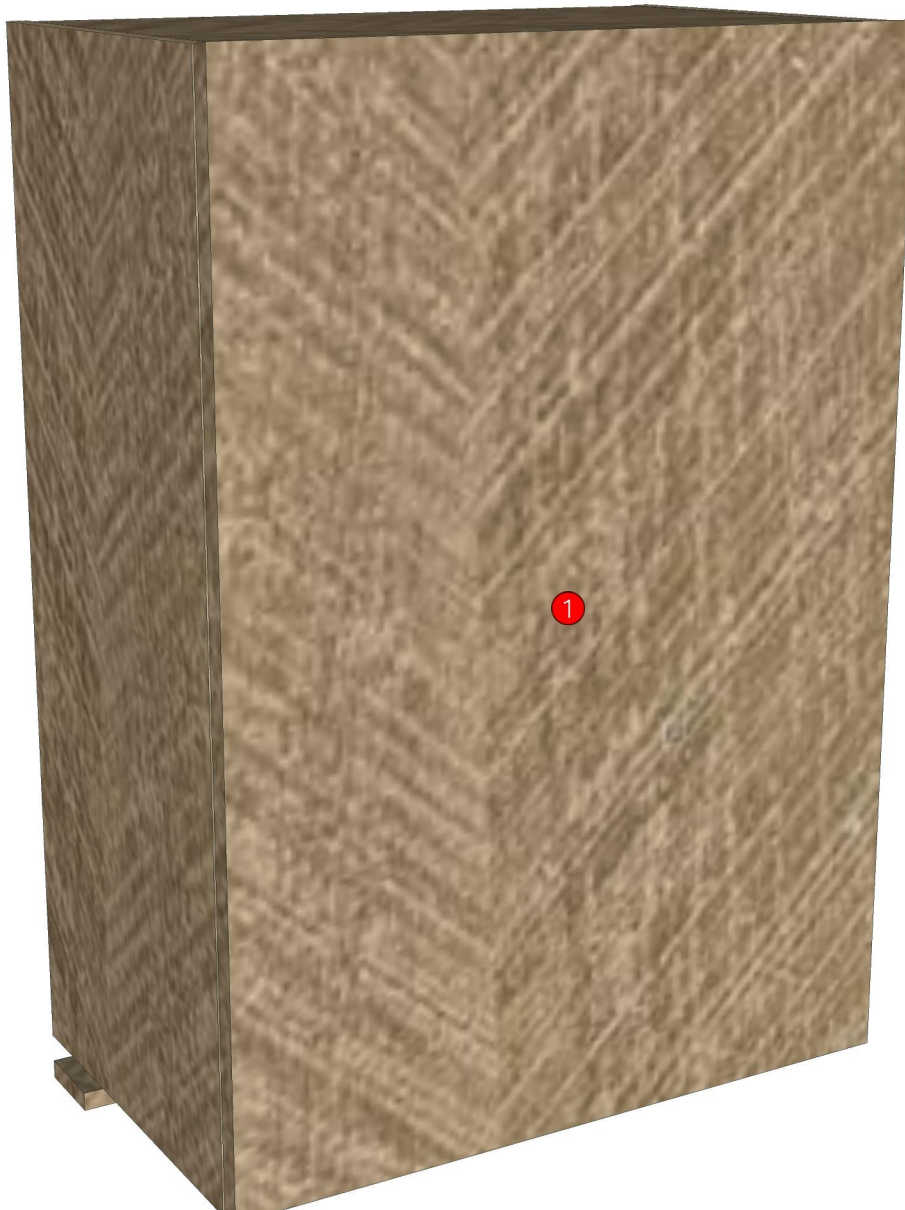
01.286 1 MD692 _

01.47 1 WHITE _

-

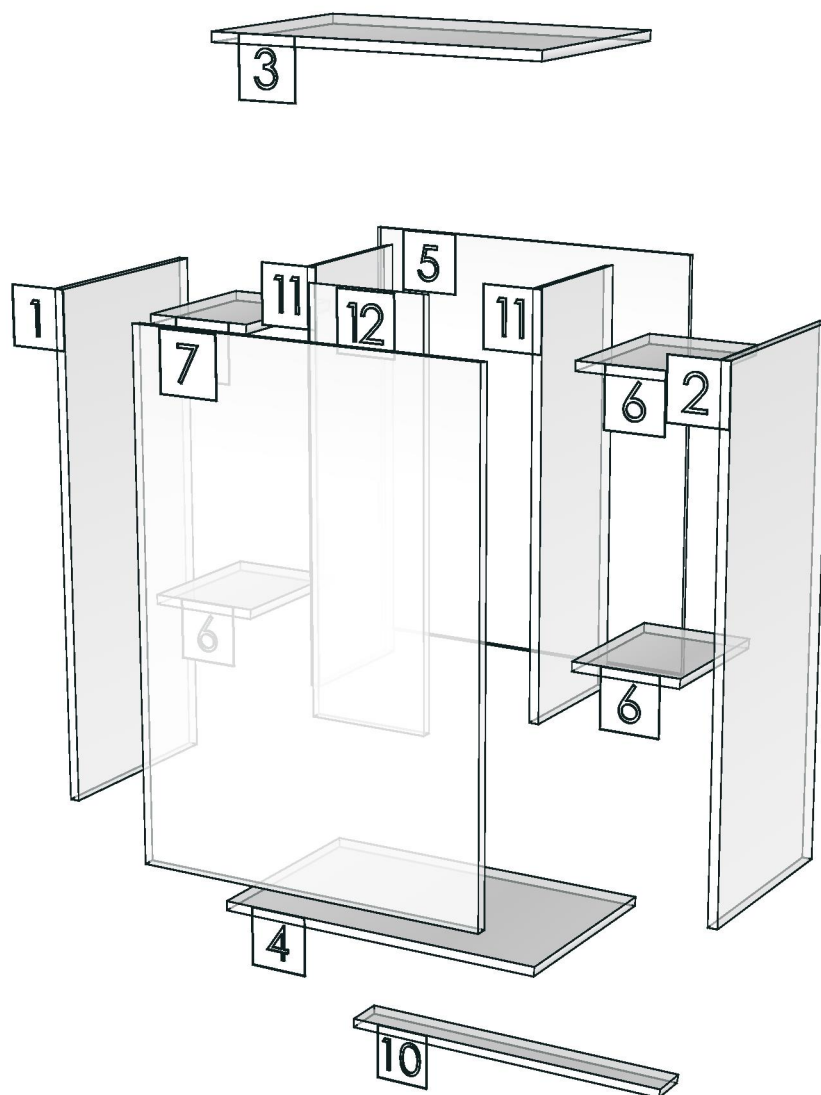
-

-



R&D REVIEW	
<input checked="" type="checkbox"/>	DWG.Customer
<input checked="" type="checkbox"/>	Work Report
<input type="checkbox"/>	Function
<input type="checkbox"/>	สินค้าตรงตัวอย่าง
ผู้ทบทวน <u>P.SAWAI</u>	
<u>25/10/25</u>	

Model	-LIFE_CN2_DL60HR		
Creator		.BCP Name	INDEX_C3D_KITCHEN2
Reviewer		Order	I004511
Approves	P.SAWAI	Date	



Model	LIFE_CN2_DLMV85L		
Creator	PASATHORN	.BCP Name	INDEX_C3D_KITCHEN2
Reviewer		Order	I004518
Approves	P.SAWAI	Date	13/10/2025

LIFE_CN2_DLMV85L-850X400X1050

Colour

05.38 ML MD692 (SS)_

05.30 ML WHITE SAND #VM1012/2610/2610(PEARL)_

-

-

-

Edge

01.286 1 MD692 _

01.47 1 WHITE _

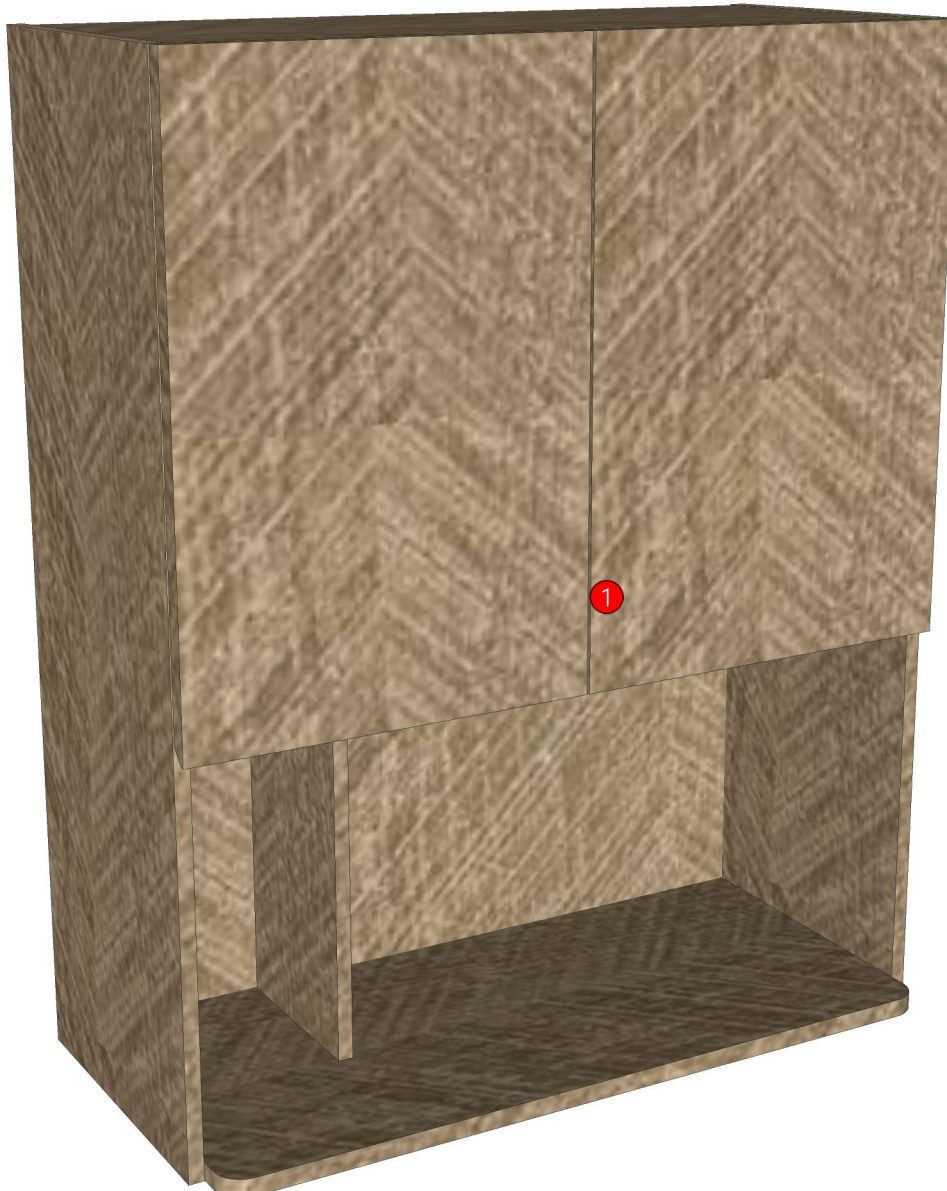
-

-

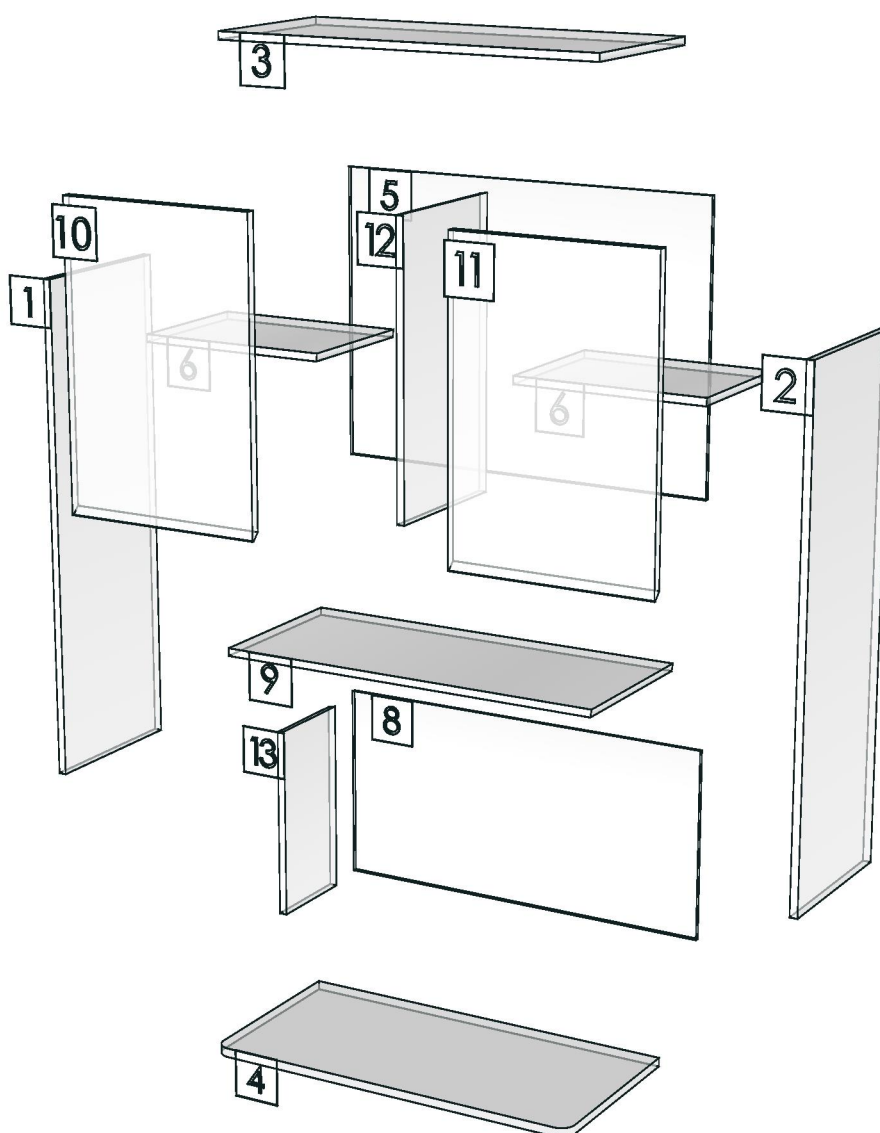
-

R&D REVIEW	
<input checked="" type="checkbox"/>	DWG.Customer
<input checked="" type="checkbox"/>	Work Report
<input type="checkbox"/>	Function
<input type="checkbox"/>	สินค้าตรงตัวอย่าง
ผู้ทบทวน <u>P.SAWAI</u>	
<u>13/10/2025</u>	

K103L-160169906



Model	-LIFE_CN2_DLMV85L		
Creator		.BCP Name	INDEX_C3D_KITCHEN2
Reviewer		Order	I004518
Approves	P. SAWAI	Date	



Model	LIFE_CN2_D_PLT600		
Creator	PASATHORN	.BCP Name	INDEX_C3D_KITCHEN2
Reviewer		Order	I004524
Approves	P.SAWAI	Date	16/10/2025

LIFE_CN2_D_PLT600-600X9X100

Colour

05.38 ML MD692 (SS)_

-

-

-

K100L-160169850

K100R-160169858

K101L-160169866

K101R-160169877

K102L-160169888

K102R-160169897

K103L-160169906

K103R-160169916

K104L-160169926

K105L-160169936

Edge

01.286 1 MD692 _

-

-

-

-

K113L-160169945

K113R-160169954

K114L-160169963

K114R-160169975

K115L-160169987

K115R-160169997

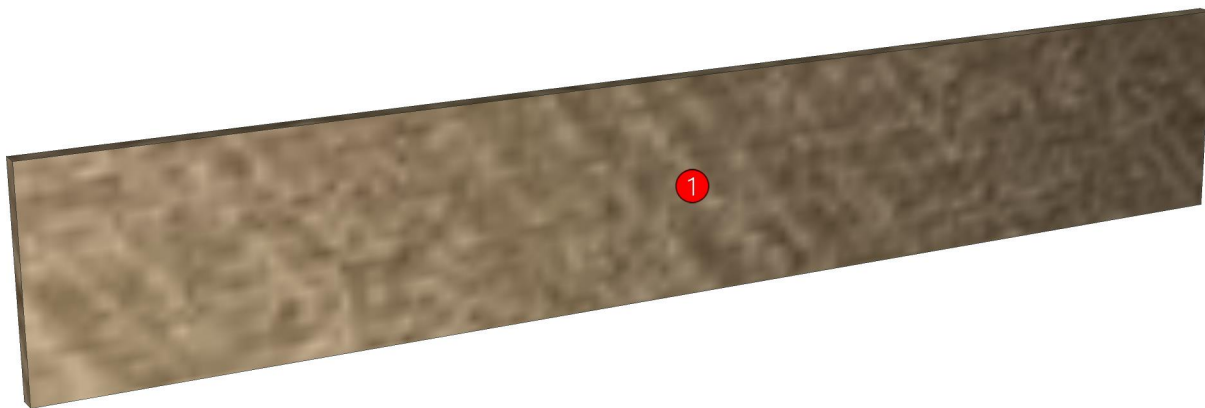
K116L-160170007

K116R-160170018

K117L-160170029

K118L-160170040

R&D REVIEW	
<input checked="" type="checkbox"/>	DWG.Customer
<input checked="" type="checkbox"/>	Work Report
<input type="checkbox"/>	Function
<input type="checkbox"/>	สินค้าตรงตัวอย่าง
ผู้ทบทวน <u>P.SAWAI</u>	
<u>25/10/25</u>	



Model	LIFE_CN2_D_PLT600		
Creator	PASATHORN	.BCP Name	INDEX_C3D_KITCHEN2
Reviewer		Order	I004524
Approves	P. SAWAI	Date	16/10/2025

No.	Article No.	Description	Mat	Dimension	Cutting Size	Typepology	Skin
0	LIFE_CN2_D_PLT600	LIFE_CN2_D_PLT600		600x100x9			
	LIFE_CN2_D_PLT600-01	D_PLINT-SP	PB-SP	9x100x600	9X98X598;L2:W2	183000 _STR=05.38 _EDG=MD692-1	2

Model	LIFE_CN2_D_PLT800		
Creator	PASATHORN	.BCP Name	INDEX_C3D_KITCHEN2
Reviewer		Order	I004471
Approves	P.SAWAI	Date	13/10/2025

LIFE_CN2_D_PLT800-800X9X100

Colour

05.38 ML MD692 (SS)_

-
-
-
-

Edge

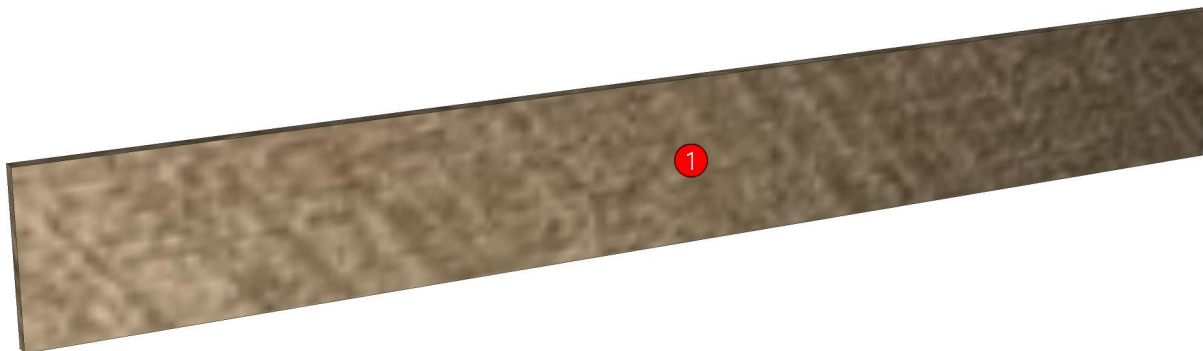
01.286 1 MD692 _

-
-
-
-

R&D REVIEW	
<input checked="" type="checkbox"/>	DWG.Customer
<input checked="" type="checkbox"/>	Work Report
<input type="checkbox"/>	Function
<input type="checkbox"/>	สินค้าตรงตัวอย่าง
ผู้ทบทวน <u>P.SAWAI</u>	
<u>25/10/25</u>	

K102L-160169888
K102R-160169897
K103L-160169906
K103R-160169916

K115L-160169987
K115R-160169997
K116L-160170007
K116R-160170018



Model	LIFE_CN2_D_PLT800		
Creator	PASATHORN	.BCP Name	INDEX_C3D_KITCHEN2
Reviewer		Order	I004471
Approves	P. SAWAI	Date	13/10/2025

No.	Article No.	Description	Mat	Dimension	Cutting Size	Typepology	Skin
0	LIFE_CN2_D_PLT800	LIFE_CN2_D_PLT800		800x100x9			
	LIFE_CN2_D_PLT800-01	D_PLINT-SP	PB-SP	9x100x800	9X98X798;L2:W2	183000 _STR=05.38 _EDG=MD692-1	2