

| | | | |
|-----------------|---------------|------------------|--------------------|
| Model | IVORY_DB1068L | | |
| Creator | PASATHORN | .BCP Name | INDEX_C3D_KITCHEN2 |
| Reviewer | | Order | I003090 |
| Approves | P.SAWAI | Date | 10/05/2024 |

IVORY_DB1068L-1068X570X901

Colour

05.109 ML.IVORY MD208(PEARL)_

20.36 ML MD216 (PEARL)_

-

-

K100L-160169656

K101L-160169671

Edge

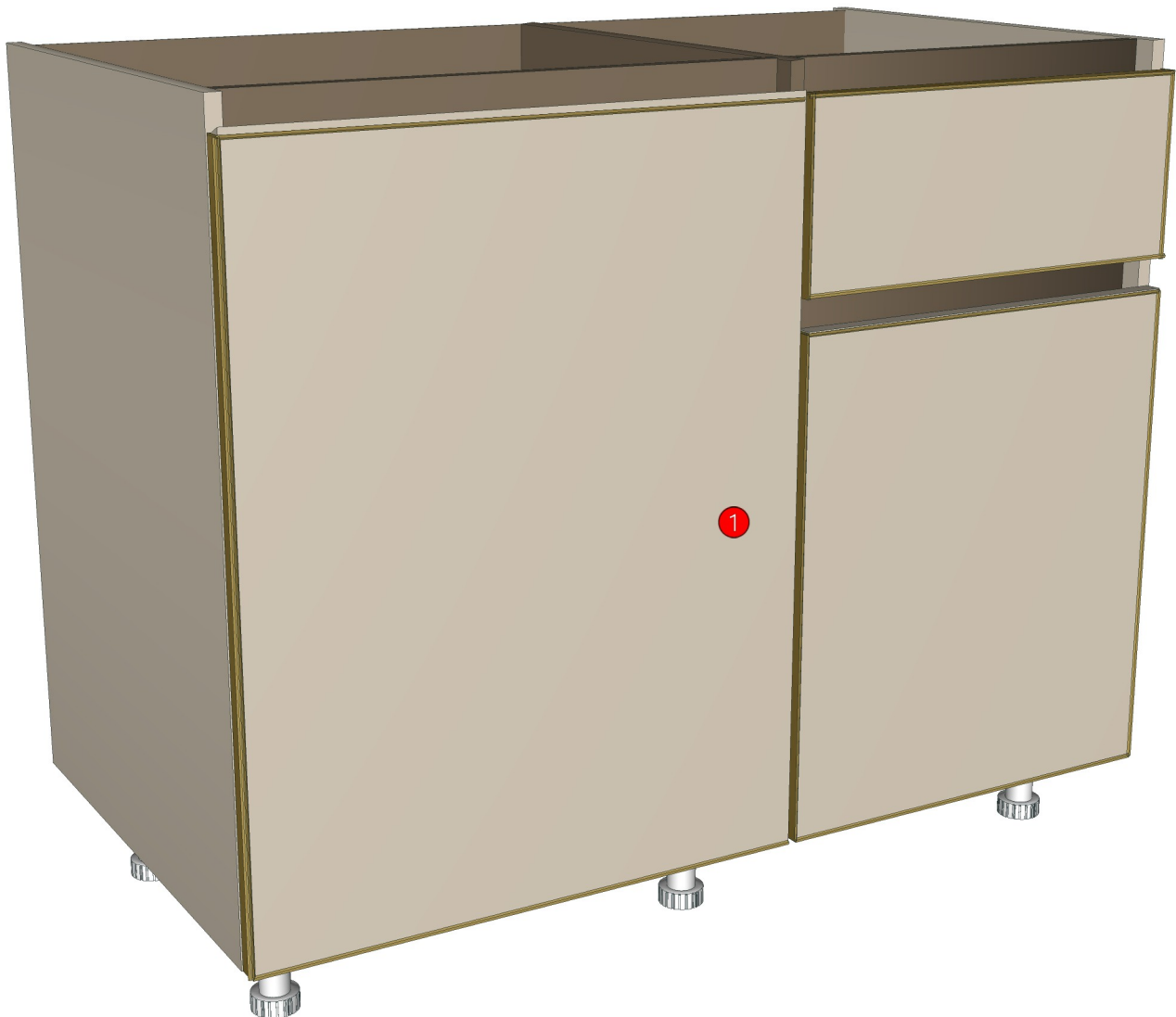
01.475 0.6 MD208 IVORY3995 (11013M1) _

01.476 0.6 SAND STONE P7-500 M1 (73.216) _

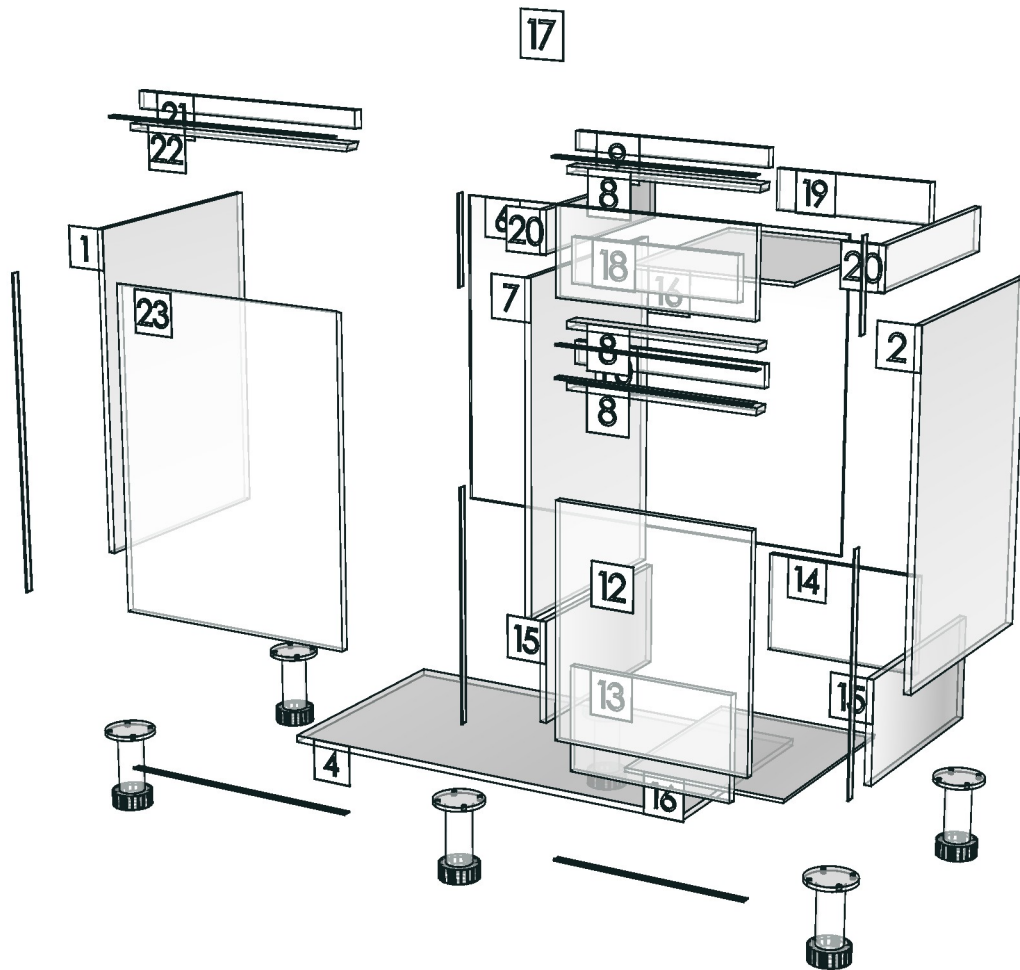
-

-

-



| | | | |
|-----------------|----------------|------------------|--------------------|
| Model | -IVORY_DB1068L | | |
| Creator | | .BCP Name | INDEX_C3D_KITCHEN2 |
| Reviewer | | Order | I003090 |
| Approves | P. SAWAI | Date | |



| | | | |
|-----------------|--------------|------------------|--------------------|
| Model | IVORY_DBO716 | | |
| Creator | PASATHORN | .BCP Name | INDEX_C3D_KITCHEN2 |
| Reviewer | | Order | I003083 |
| Approves | P.SAWAI | Date | 08/05/2024 |

IVORY_DBO716-716X593X901

Colour

05.109 ML.IVORY MD208(PEARL)_

20.36 ML MD216 (PEARL)_

-

-

K100L-160169656

K100R-160173917

K101L-160169671

K101R-160173932

K102L-160173947

Edge

01.475 0.6 MD208 IVORY3995 (11013M1) _

01.476 0.6 SAND STONE P7-500 M1 (73.216) _

-

-

-

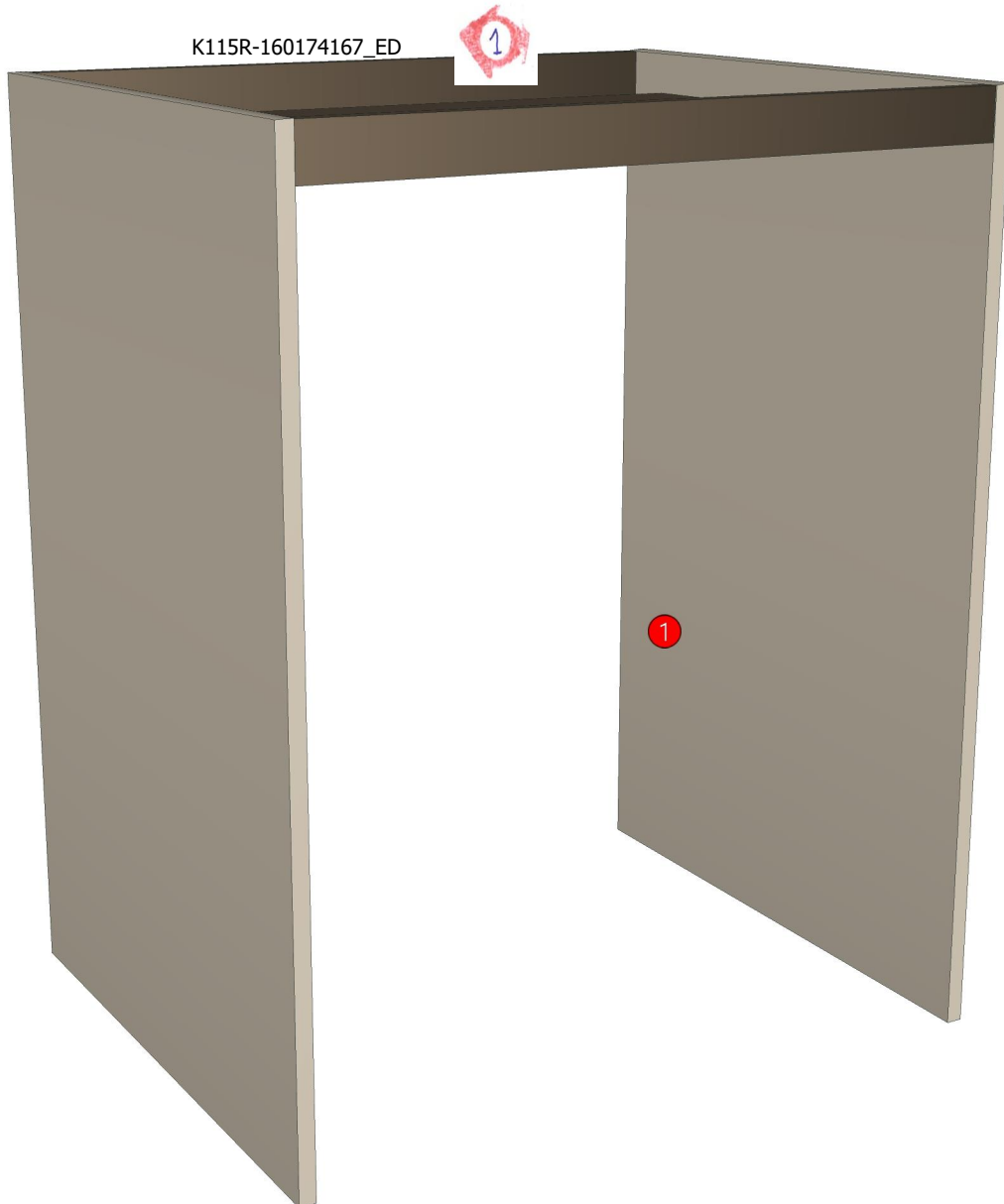
K119L-160174234_E

K120L-160174251_E

K121R-160174265_I

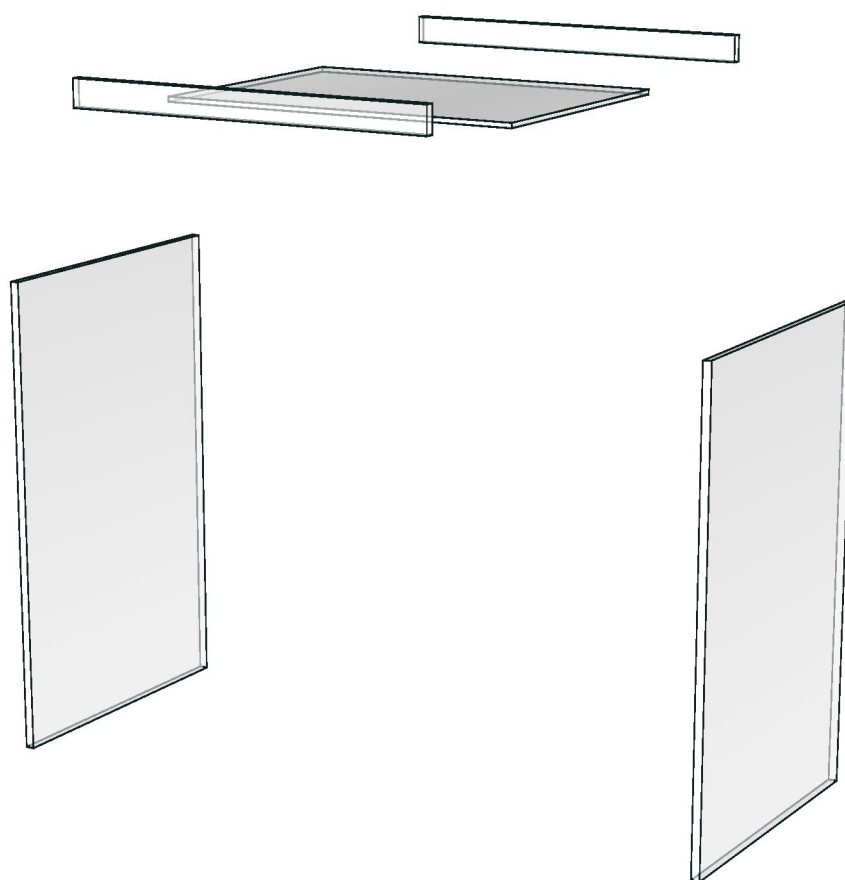
K105L-160174005

K115R-160174167_ED



| | |
|-------------------------------------|-------------------|
| R&D REVIEW | |
| <input checked="" type="checkbox"/> | DWG.Customer |
| <input checked="" type="checkbox"/> | Work Report |
| <input type="checkbox"/> | Function |
| <input type="checkbox"/> | สินค้าตรงตัวอย่าง |
| ผู้ทบทวน P.SAWAI | |
| 25/8/2563 | |

| | | | |
|-----------------|---------------|------------------|--------------------|
| Model | -IVORY_DBO716 | | |
| Creator | | .BCP Name | INDEX_C3D_KITCHEN2 |
| Reviewer | | Order | I003083 |
| Approves | P. SAWAI | Date | |



| | | | |
|-----------------|----------------|------------------|--------------------|
| Model | IVORY_DEPB | | |
| Creator | PASATHORN | .BCP Name | INDEX_C3D_KITCHEN2 |
| Reviewer | | Order | I004460 |
| Approves | <i>P.SAWAI</i> | Date | 30/09/2025 |

IVORY_DEPB-16X593X901

Colour

05.109 ML.IVORY MD208(PEARL)_

-
-
-
- K100L-160169656
- K100R-160173917
- K101L-160169671
- K101R-160173932
- K102L-160173947
- K103R-160173964
- K104R-160173983
- K105L-160174005
- K106L-160174019
- K107R-160174032

Edge

01.475 0.6 MD208 IVORY3995 (11013M1) _

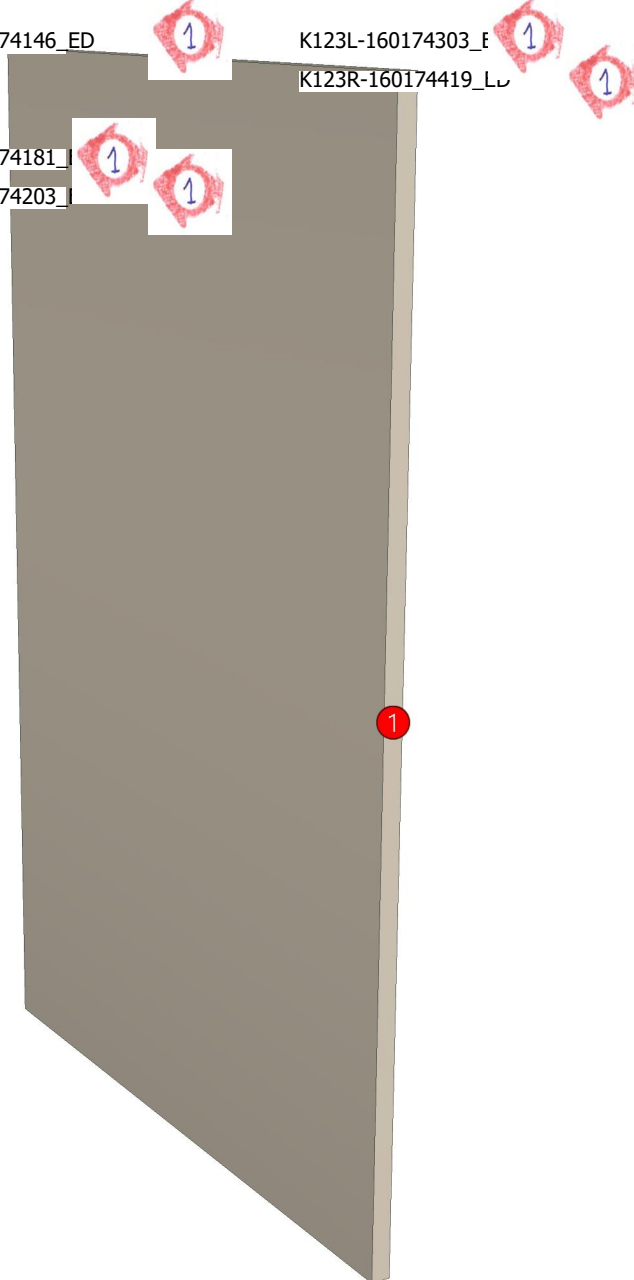
-
-
-
-
- K108L-160174046
- K109L-160174061
- K110L-160174078
-
- K118R-160174224_I
- K119L-160174234_E
-
- K113R-160174146_ED
- K123L-160174303_E
- K123R-160174419_L
- K116R-160174181_I
- K117R-160174203_I

R&D REVIEW

- DWG.Customer
- Work Report
- Function
- สินค้าตรงตัวอย่าง

ผู้ทบทวน P.SAWAI

25/9/25



| | | | |
|-----------------|------------|------------------|--------------------|
| Model | IVORY_DEPB | | |
| Creator | PASATHORN | .BCP Name | INDEX_C3D_KITCHEN2 |
| Reviewer | | Order | I004460 |
| Approves | P. SAWAI | Date | 30/09/2025 |

| No. | Article No. | Description | Mat | Dimension | Cutting Size | Typepology | Skin |
|-----|-----------------------------|-------------------|-------|--------------------------|----------------------|--------------------------------|------|
| 0 | IVORY_DEPB IVORY_DEPB-01 | IVORY_DEPB DEP | PB-SP | 16x901x593 16x593x901 | 16X591.8X899.8;L2:W2 | 181000_STR=05.109_EDG=MD208-.6 | 2 |

| | | | |
|-----------------|-----------|------------------|--------------------|
| Model | IVORY_DFW | | |
| Creator | PASATHORN | .BCP Name | INDEX_C3D_KITCHEN2 |
| Reviewer | | Order | I004459 |
| Approves | P.SAWAI | Date | 29/09/2025 |

IVORY_DFW-150X19X450

Colour

05.109 ML.IVORY MD208(PEARL)_

-
-
-
-

K101L-160169671

K101R-160173932

K104R-160173983

Edge

01.475 0.6 MD208 IVORY3995 (11013M1) _

-
-
-
-

K122R-160174284_I

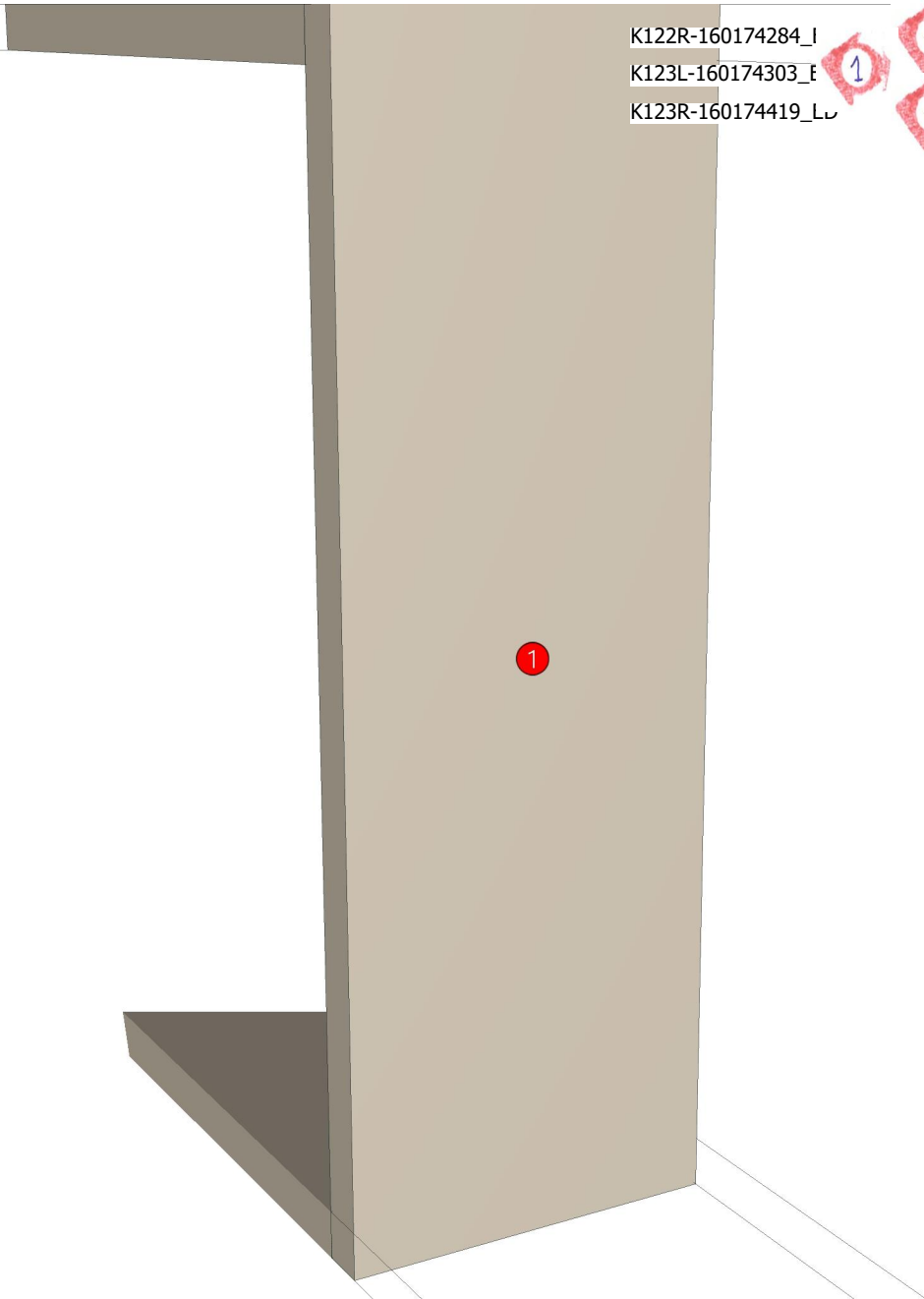
K123L-160174303_E

K123R-160174419_L

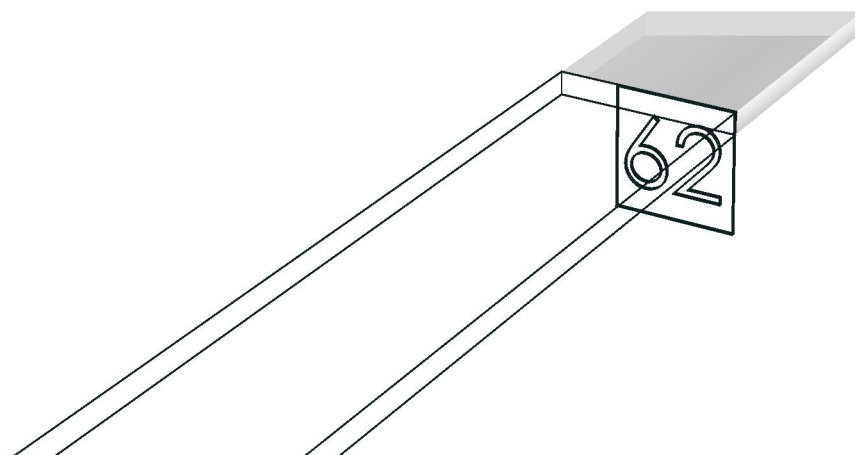
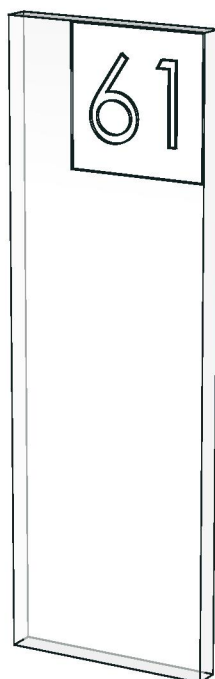
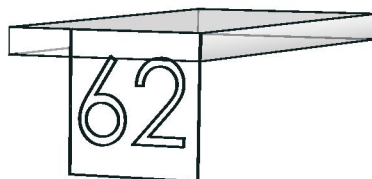
R&D REVIEW

- DWG.Customer
- Work Report
- Function
- สินค้าตรงตัวอย่าง

ผู้ทบทวน P.SAWAI
29/9/25



| | | | |
|-----------------|------------|------------------|--------------------|
| Model | -IVORY_DFW | | |
| Creator | | .BCP Name | INDEX_C3D_KITCHEN2 |
| Reviewer | | Order | I004459 |
| Approves | P.SAWAI | Date | |



| | | | |
|-----------------|-----------------|------------------|--------------------|
| Model | IVORY_DF_CL1800 | | |
| Creator | PASATHORN | .BCP Name | INDEX_C3D_KITCHEN2 |
| Reviewer | | Order | I003080 |
| Approves | P.SAWAI | Date | 08/05/2024 |

IVORY_DF_CL1800-1800X16X180

Colour

20.36 ML MD216 (PEARL)_

-
-
-
-

Edge

01.476 0.6 SAND STONE P7-500 M1 (73.216) _

-
-
-
-

K101L-160169671

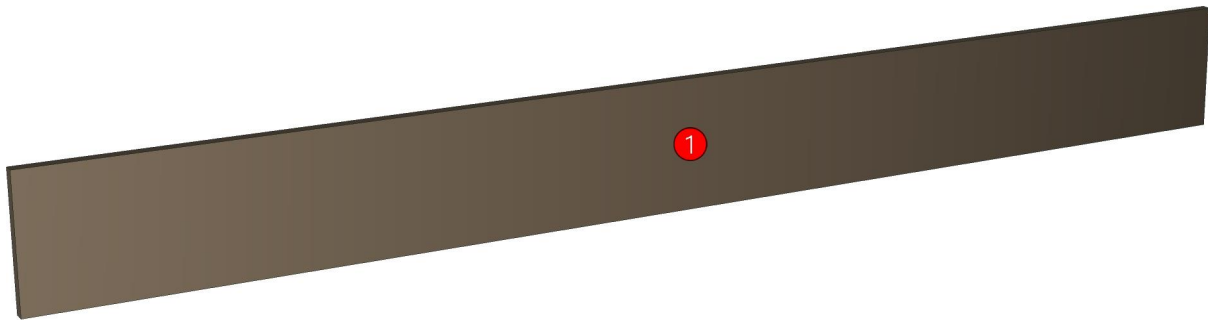
K110L-160174078

K101R-160173932

R&D REVIEW

- DWG.Customer
- Work Report
- Function
- สินค้าตรงตัวอย่าง

ผู้ทบทวน P.SAWAI
25/8/24



| | | | |
|-----------------|-----------------|------------------|--------------------|
| Model | IVORY_DF_CL1800 | | |
| Creator | PASATHORN | .BCP Name | INDEX_C3D_KITCHEN2 |
| Reviewer | | Order | I003080 |
| Approves | P. SAWAI | Date | 08/05/2024 |

| No. | Article No. | Description | Mat | Dimension | Cutting Size | Typepology | Skin |
|-----|---------------------------------------|-------------------------|-------|----------------------------|-----------------------|--|------|
| 0 | IVORY_DF_CL1800 IVORY_DF_CL1800-01 | IVORY_DF_CL1800 DFCL | PB-SP | 1800x180x16 16x180x1800 | 16X179.4X1798.8;L1:W2 | 183000_STR=20.36_EDG=SAND STONE P7-500 M1-.6 | 2 |

| | | | |
|-----------------|----------------|------------------|--------------------|
| Model | IVORY_DF_CL300 | | |
| Creator | PASATHORN | .BCP Name | INDEX_C3D_KITCHEN2 |
| Reviewer | | Order | I003076 |
| Approves | P.SAWAI | Date | 08/05/2024 |

IVORY_DF_CL300-300X16X180

Colour

20.36 ML MD216 (PEARL)_

-

-

-

K100L-160169656

K100R-160173917

K101L-160169671

K101R-160173932

K102L-160173947

K103R-160173964

K104R-160173983

K105L-160174005

K106L-160174019

K107R-160174032

Edge

01.476 0.6 SAND STONE P7-500 M1 (73.216) _

-

-

-

K118R-160174224_I

K119L-160174234_E

K108L-160174046

K109L-160174061

K110L-160174078

K111R-160174119

K112R-160174137_I

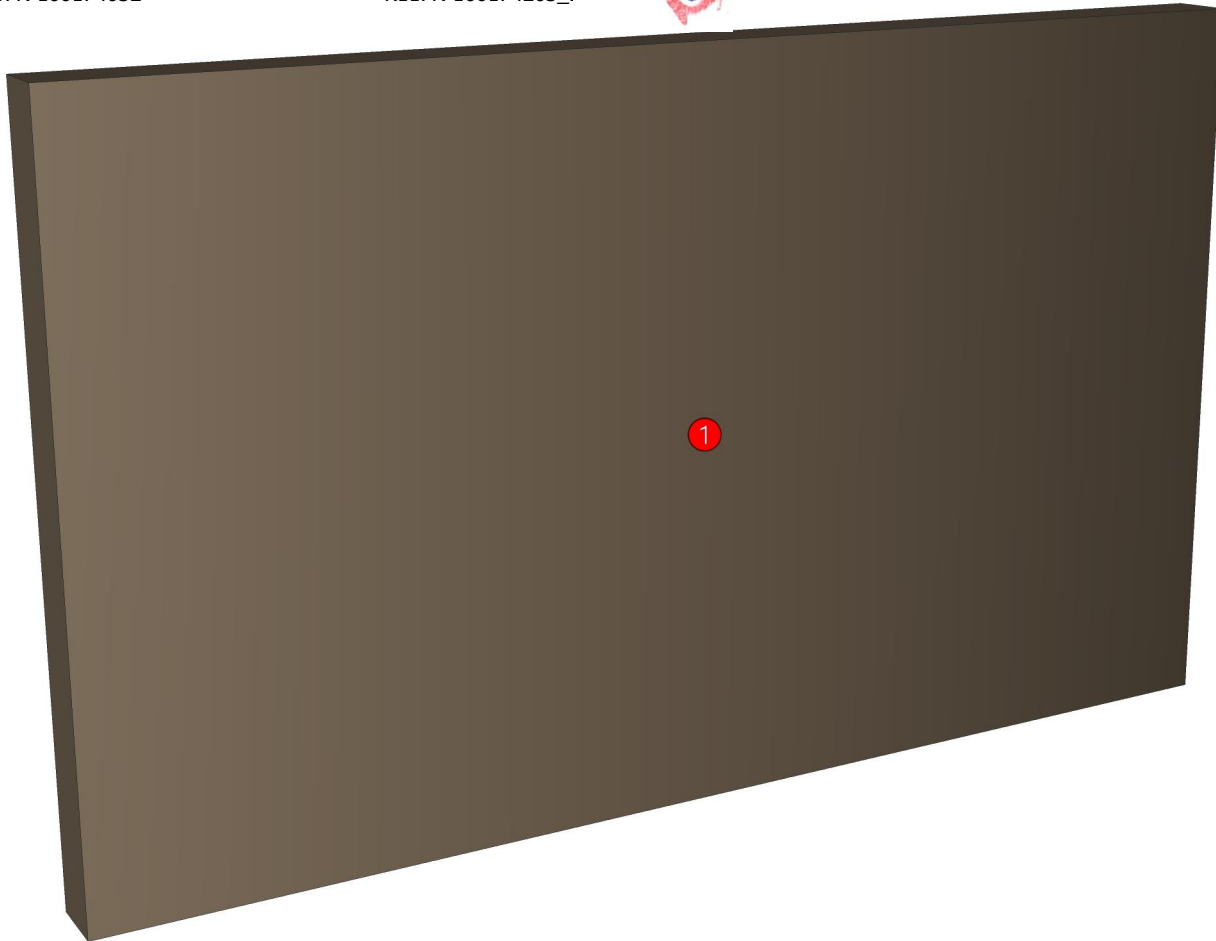
K113R-160174146_I

K114R-160174156_I

K116R-160174181_I

K117R-160174203_I

| | |
|-------------------------------------|-------------------|
| R&D REVIEW | |
| <input checked="" type="checkbox"/> | DWG.Customer |
| <input checked="" type="checkbox"/> | Work Report |
| <input type="checkbox"/> | Function |
| <input type="checkbox"/> | สินค้าตรงตัวอย่าง |
| ผู้ทบทวน <u>P.SAWAI</u> | |
| <u>25/8/2563</u> | |



| | | | |
|-----------------|----------------|------------------|--------------------|
| Model | IVORY_DF_CL300 | | |
| Creator | PASATHORN | .BCP Name | INDEX_C3D_KITCHEN2 |
| Reviewer | | Order | I003076 |
| Approves | P. SAWAI | Date | 08/05/2024 |

| No. | Article No. | Description | Mat | Dimension | Cutting Size | Typepology | Skin |
|-----|-------------------------------------|----------------------------|-------|--------------------------|----------------------|--|------|
| 0 | IVORY_DF_CL300 IVORY_DF_CL300-01 | IVORY_DF_CL300 DF_CL-SP | PB-SP | 300x180x16 16x180x300 | 16X179.4X299.4;L1:W1 | 183000_STR=20.36_EDG=SAND STONE P7-500 M1-.6 | 2 |

| | | | |
|-----------------|----------------|------------------|--------------------|
| Model | IVORY_DF_CL800 | | |
| Creator | PASATHORN | .BCP Name | INDEX_C3D_KITCHEN2 |
| Reviewer | | Order | I003078 |
| Approves | P.SAWAI | Date | 08/05/2024 |

IVORY_DF_CL800-800X16X180

Colour

20.36 ML MD216 (PEARL)_

-
-
-
-

K101L-160169671

K101R-160173932

K104R-160173983

Edge

01.476 0.6 SAND STONE P7-500 M1 (73.216) _

-
-
-
-

K119L-160174234_E

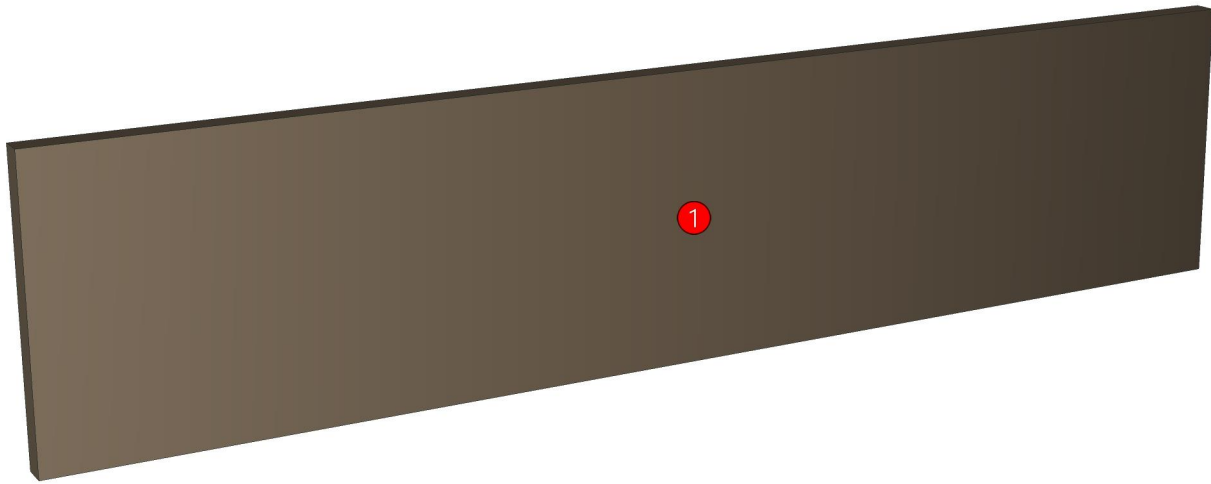


R&D REVIEW

- DWG.Customer
- Work Report
- Function
- สินค้าตรงตัวอย่าง

ผู้ทบทวน P.SAWAI

25/8/24



| | | | |
|-----------------|----------------|------------------|--------------------|
| Model | IVORY_DF_CL800 | | |
| Creator | PASATHORN | .BCP Name | INDEX_C3D_KITCHEN2 |
| Reviewer | | Order | I003078 |
| Approves | P. SAWAI | Date | 08/05/2024 |

| No. | Article No. | Description | Mat | Dimension | Cutting Size | Typepology | Skin |
|-----|-------------------------------------|----------------------------|-------|--------------------------|----------------------|--|------|
| 0 | IVORY_DF_CL800 IVORY_DF_CL800-01 | IVORY_DF_CL800 DF_CL-SP | PB-SP | 800x180x16 16x180x800 | 16X179.4X798.8;L1:W2 | 183000_STR=20.36_EDG=SAND STONE P7-500 M1-.6 | 2 |

| | | | |
|-----------------|----------------|------------------|--------------------|
| Model | IVORY_DL60HR | | |
| Creator | PASATHORN | .BCP Name | INDEX_C3D_KITCHEN2 |
| Reviewer | | Order | I003096 |
| Approves | <i>P.SAWAI</i> | Date | 11/05/2024 |

IVORY_DL60HR-600X300X580

Colour

05.109 ML.IVORY MD208(PEARL)_
20.36 ML MD216 (PEARL)_

-
-

K100L-160169656

K108L-160174046

K109L-160174061

K101L-160169671

K110L-160174078

K102L-160173947

K103R-160173964

K114R-160174156

K105L-160174005

K106L-160174019

Edge

01.475 0.6 MD208 IVORY3995 (11013M1) _
01.476 0.6 SAND STONE P7-500 M1 (73.216) _

-
-

K119L-160174234

K120L-160174251

K123L-160174303

R&D REVIEW

DWG.Customer

Work Report

Function

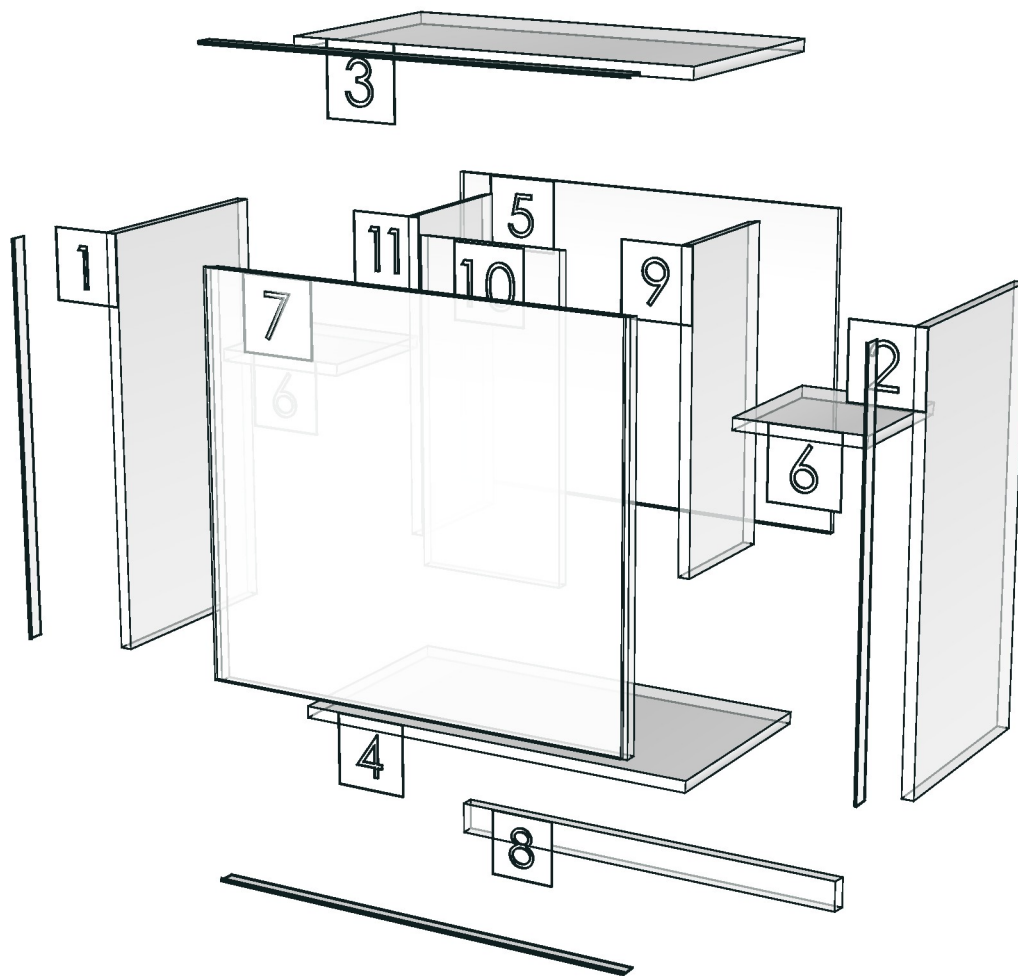
สิ้นค้าตรงตัวอย่าง

ผู้ทบทวน P.SAWAI

11/05/2024



| | | | |
|-----------------|---------------|------------------|--------------------|
| Model | -IVORY_DL60HR | .BCP Name | INDEX_C3D_KITCHEN2 |
| Creator | | Order | I003096 |
| Reviewer | | Date | |
| Approves | P.SAWAI | | |



| | | | |
|-----------------|--------------|------------------|--------------------|
| Model | IVORY_DL60LS | | |
| Creator | PASATHORN | .BCP Name | INDEX_C3D_KITCHEN2 |
| Reviewer | | Order | I003098 |
| Approves | P.SAWAI | Date | 13/05/2024 |

IVORY_DL60LS-600X300X625

Colour

05.109 ML.IVORY MD208(PEARL)_

20.36 ML MD216 (PEARL)_

-

-

-

K101L-160169671

Edge

01.475 0.6 MD208 IVORY3995 (11013M1) _

01.476 0.6 SAND STONE P7-500 M1 (73.216) _

-

-

-

R&D REVIEW

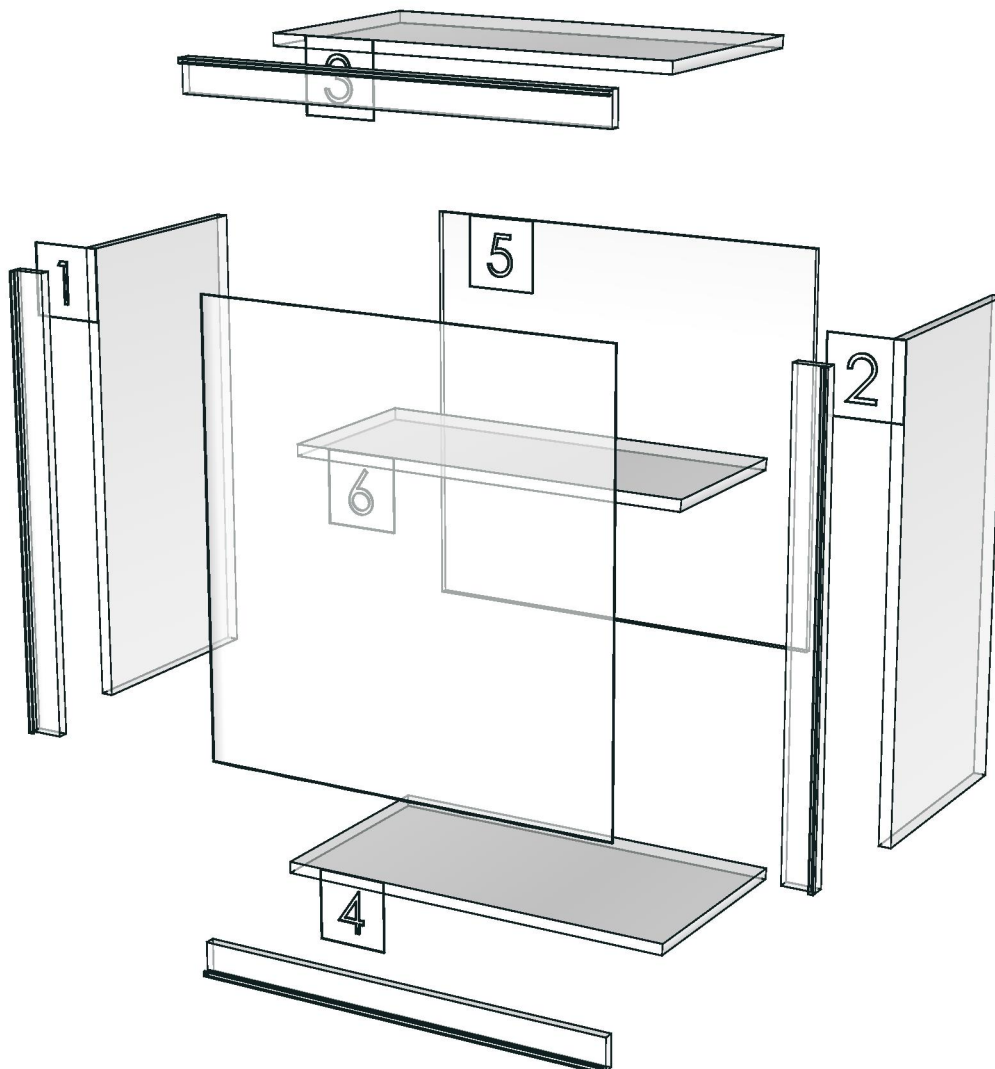
- DWG.Customer
- Work Report
- Function
- สินค้าตรงตัวอย่าง

ผู้ทบทวน P.SAWAI
25/8/2563

K123R-160174419_ED



| | | | |
|-----------------|---------------|------------------|--------------------|
| Model | -IVORY_DL60LS | | |
| Creator | | .BCP Name | INDEX_C3D_KITCHEN2 |
| Reviewer | | Order | I003098 |
| Approves | P. SAWAI | Date | |



| | | | |
|-----------------|----------------|------------------|--------------------|
| Model | IVORY_DLOMV60 | | |
| Creator | PASATHORN | .BCP Name | INDEX_C3D_KITCHEN2 |
| Reviewer | | Order | I003102 |
| Approves | <i>P.SAWAI</i> | Date | 13/05/2024 |

IVORY_DLOMV60-600X380X625

Colour

05.109 ML.IVORY MD208(PEARL)_
20.36 ML MD216 (PEARL)_
05.01 ML WHITE VM1012 18/18_

-
K100L-160169656
K100R-160173917
K101L-160169671
K101R-160173932
K102L-160173947
K103R-160173964
K104R-160173983
K105L-160174005

K107R-160174032

Edge

01.475 0.6 MD208 IVORY3995 (11013M1) _
01.476 0.6 SAND STONE P7-500 M1 (73.216) _

-
-
-

K109L-160174061
K110L-160174078
K111R-160174119

K115R-160174167_F

K116R-160174181

K117R-160174203

K120L-160174251_F
K121R-160174265_I
K122R-160174284_I
K123L-160174303_F
K123R-160174419_L

R&D REVIEW

DWG.Customer

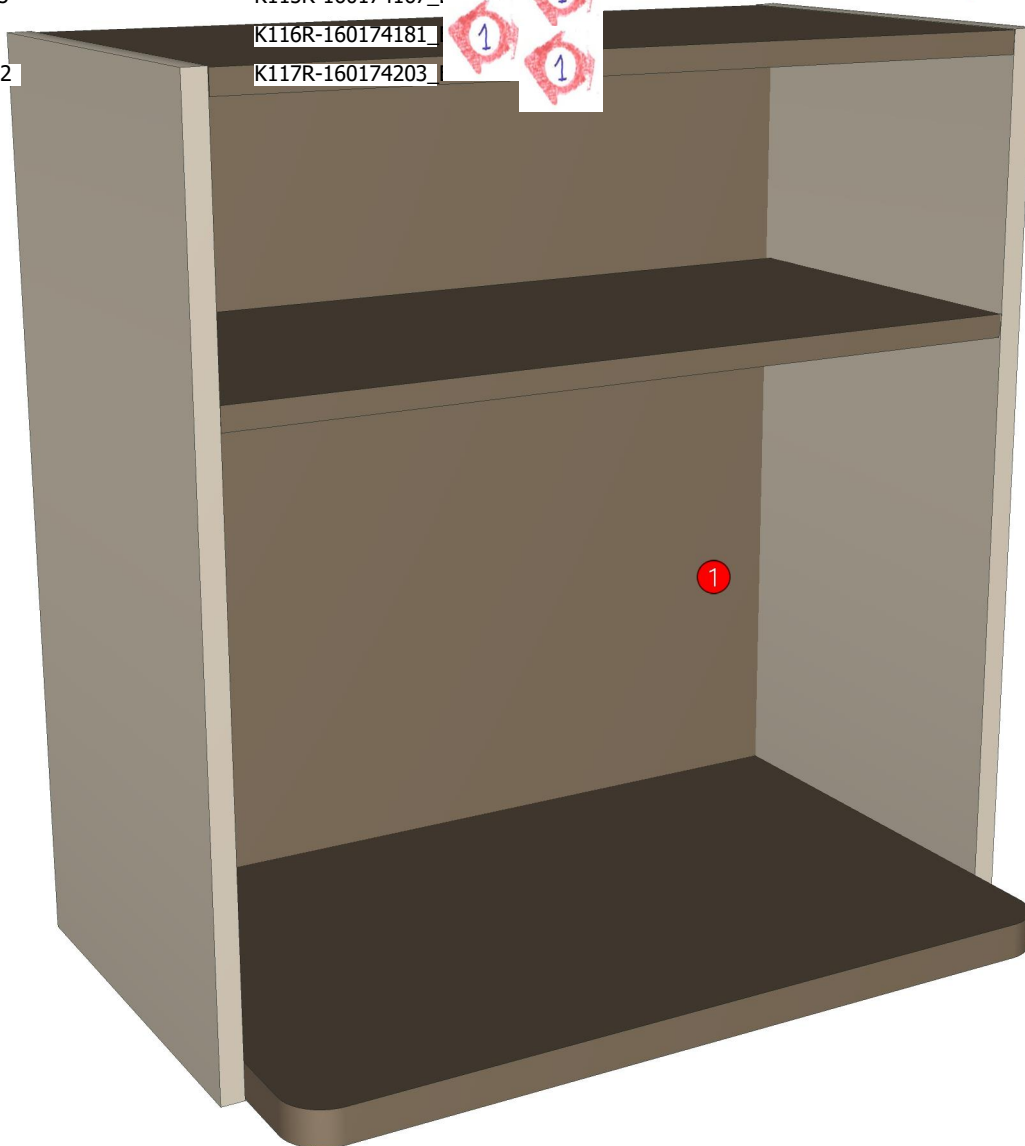
Work Report

Function

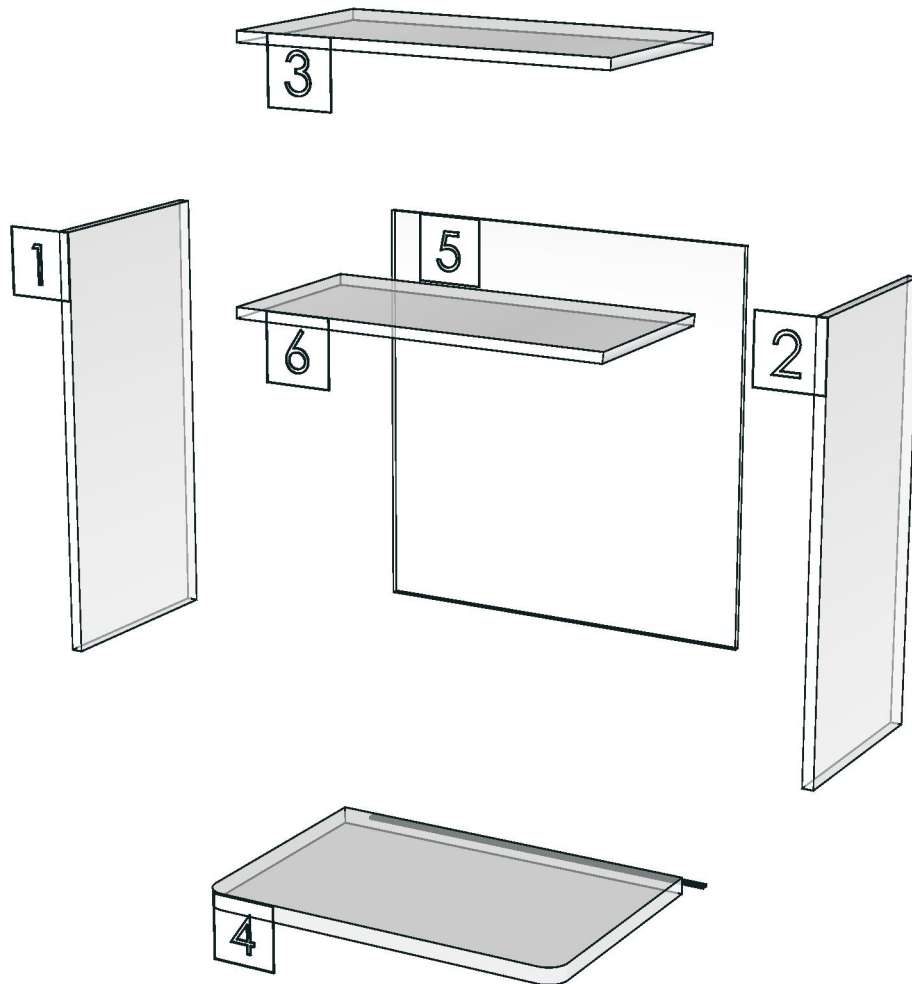
สินค้าตรงตัวอย่าง

ผู้ทบทวน P.SAWAI

25/5/24



| | | | |
|-----------------|----------------|------------------|--------------------|
| Model | -IVORY_DLOMV60 | | |
| Creator | | .BCP Name | INDEX_C3D_KITCHEN2 |
| Reviewer | | Order | I003102 |
| Approves | P.SAWAI | Date | |



| | | | |
|-----------------|---------------|------------------|--------------------|
| Model | IVORY_DUT1800 | | |
| Creator | PASATHORN | .BCP Name | INDEX_C3D_KITCHEN2 |
| Reviewer | | Order | I003070 |
| Approves | P.SAWAI | Date | 07/05/2024 |

IVORY_DUT1800-1800X60X12

Colour

05.01 ML WHITE VM1012 18/18_

-

-

-

K100L-160169656

K108L-160174046

K100R-160173917

K101L-160169671

K120L-160174251_ED

K101R-160173932

K122R-160174284_ED

K103R-160173964

Edge

01.24 0.6 WHITE _

-

-

-

-

R&D REVIEW

DWG.Customer

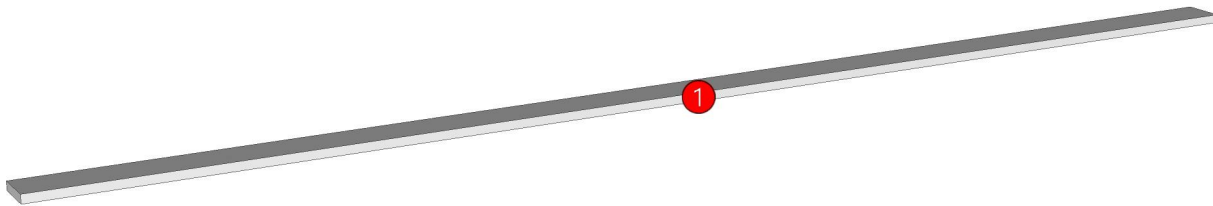
Work Report

Function

สินค้าตรงตัวอย่าง

ผู้ทบทวน P.SAWAI

25/8/2563



| | | | |
|-----------------|---------------|------------------|--------------------|
| Model | IVORY_DUT1800 | | |
| Creator | PASATHORN | .BCP Name | INDEX_C3D_KITCHEN2 |
| Reviewer | | Order | I003070 |
| Approves | P. SAWAI | Date | 07/05/2024 |

| No. | Article No. | Description | Mat | Dimension | Cutting Size | Typepology | Skin |
|-----|-----------------------------------|----------------------|-------|--------------------------|--------------------|-------------------------------|------|
| 0 | IVORY_DUT1800 IVORY_DUT1800-01 | IVORY_DUT1800 DUT | PB-SP | 1800x12x60 12x60x1800 | 12X58.8X1800;L2:W0 | 182000_STR=05.01_EDG=WHITE-.6 | 2 |

| | | | |
|-----------------|-------------|------------------|--------------------|
| Model | IVORY_DWO70 | | |
| Creator | PASATHORN | .BCP Name | INDEX_C3D_KITCHEN2 |
| Reviewer | | Order | I003097 |
| Approves | P.SAWAI | Date | 13/05/2024 |

IVORY_DWO70-700X300X450

Colour

05.109 ML.IVORY MD208(PEARL)_

20.36 ML MD216 (PEARL)_

-

-

K100L-160169656

K100R-160173917

K101L-160169671

K101R-160173932

K104R-160173983

Edge

01.475 0.6 MD208 IVORY3995 (11013M1) _

01.476 0.6 SAND STONE P7-500 M1 (73.216) _

-

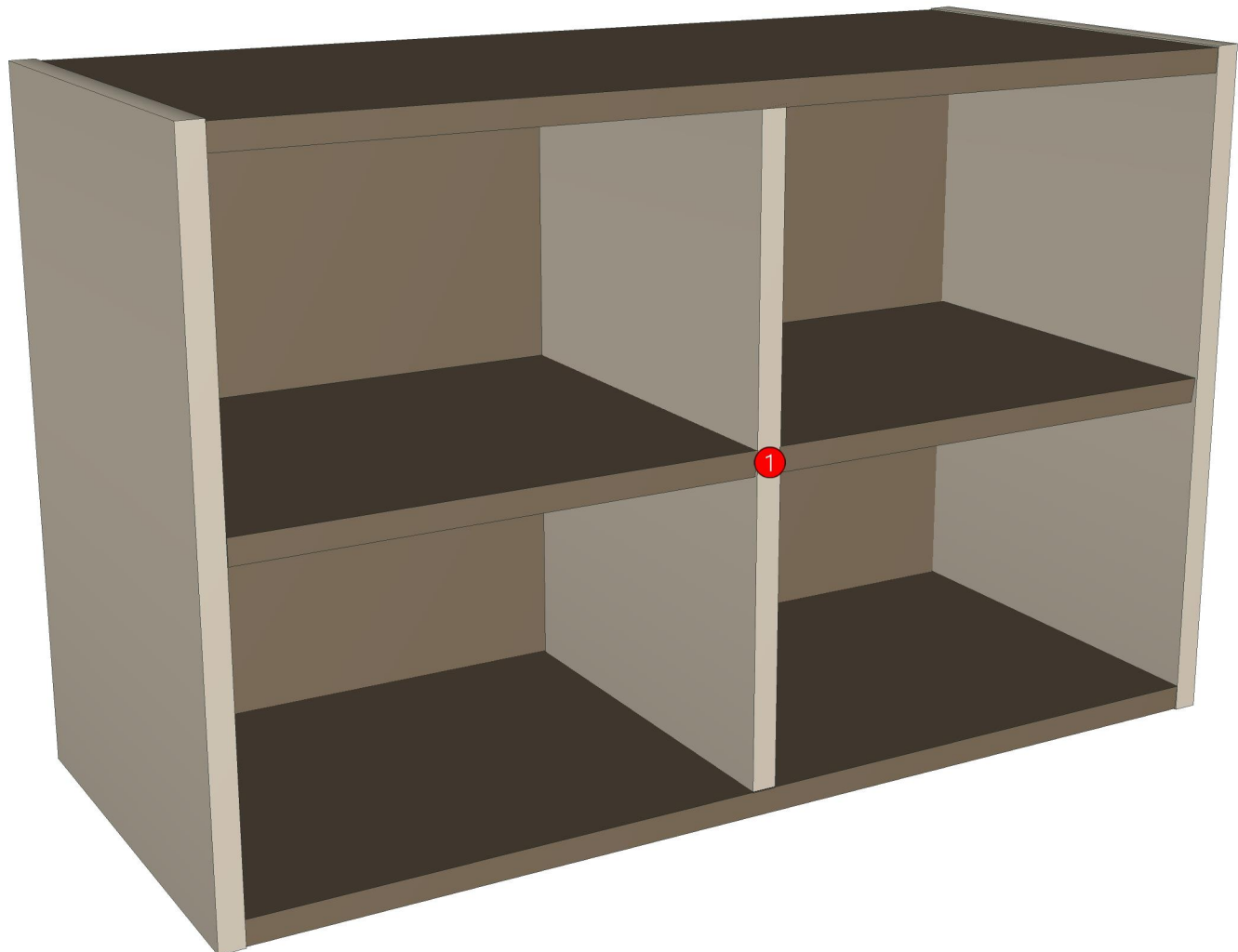
-

-

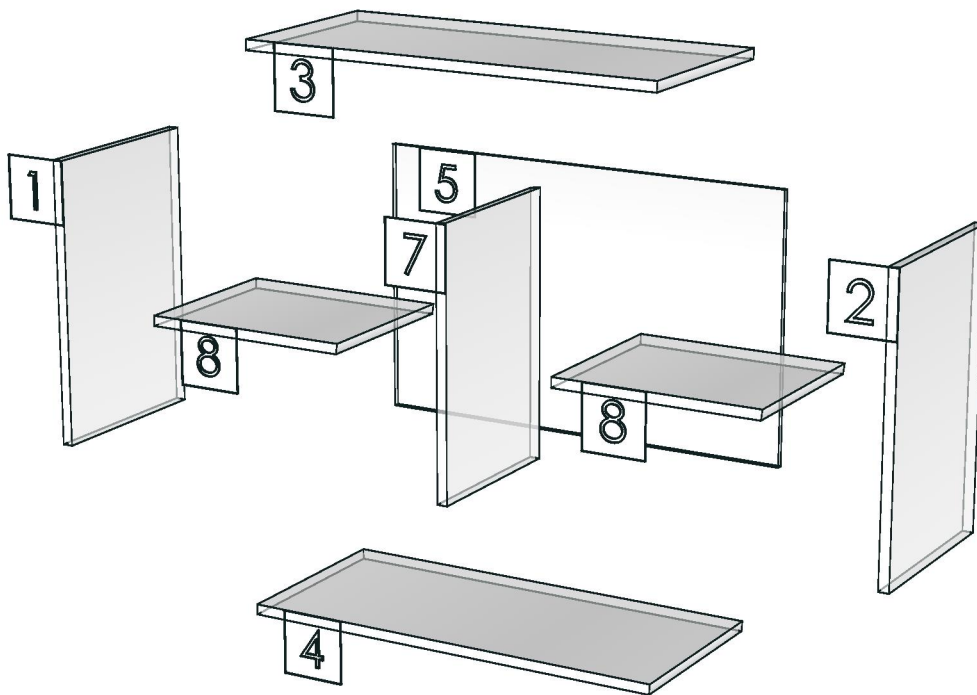
K123L-160174303_E

K123R-160174419_L

| | |
|-------------------------------------|-------------------|
| R&D REVIEW | |
| <input checked="" type="checkbox"/> | DWG.Customer |
| <input checked="" type="checkbox"/> | Work Report |
| <input type="checkbox"/> | Function |
| <input type="checkbox"/> | สินค้าตรงตัวอย่าง |
| ผู้ทบทวน P.SAWAI | |
| 25/5/24 | |



| | | | |
|-----------------|--------------|------------------|--------------------|
| Model | -IVORY_DW070 | | |
| Creator | | .BCP Name | INDEX_C3D_KITCHEN2 |
| Reviewer | | Order | I003097 |
| Approves | P.SAWAI | Date | |



| | | | |
|-----------------|-----------------|------------------|--------------------|
| Model | IVORY_D_PLT1068 | | |
| Creator | PASATHORN | .BCP Name | INDEX_C3D_KITCHEN2 |
| Reviewer | | Order | I003074 |
| Approves | | Date | 07/05/2024 |

IVORY_D_PLT1068-1068X9X100

Colour

20.36 ML MD216 (PEARL)_

-

-

-

K100L-160169656

K100R-160173917

K101L-160169671

K101R-160173932

Edge

01.476 0.6 SAND STONE P7-500 M1 (73.216) _

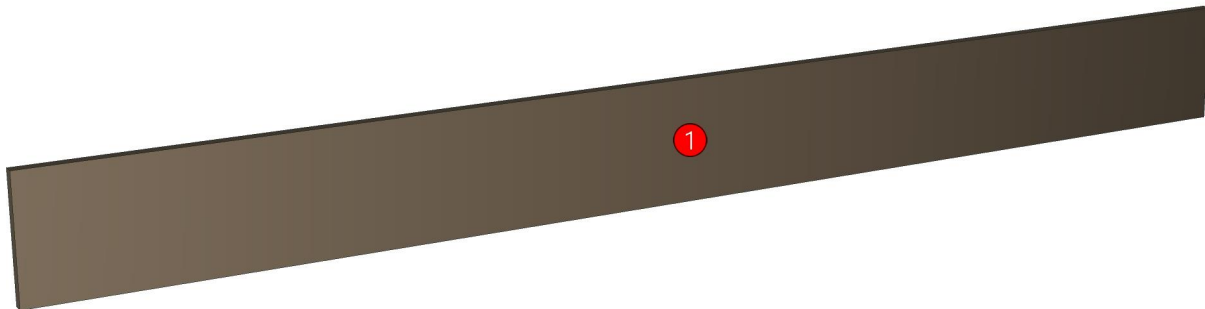
-

-

-

-

| | |
|-------------------------------------|-------------------|
| R&D REVIEW | |
| <input checked="" type="checkbox"/> | DWG.Customer |
| <input checked="" type="checkbox"/> | Work Report |
| <input type="checkbox"/> | Function |
| <input type="checkbox"/> | สินค้าตรงตัวอย่าง |
| ผู้ทบทวน _____ | |



| | | | |
|-----------------|-----------------|------------------|--------------------|
| Model | IVORY_D_PLT1068 | | |
| Creator | PASATHORN | .BCP Name | INDEX_C3D_KITCHEN2 |
| Reviewer | | Order | I003074 |
| Approves | | Date | 07/05/2024 |

| No. | Article No. | Description | Mat | Dimension | Cutting Size | Typepology | Skin |
|-----|--------------------|-----------------|-------|------------|---------------------|--|------|
| 0 | IVORY_D_PLT1068 | IVORY_D_PLT1068 | | 1068x100x9 | | | |
| | IVORY_D_PLT1068-01 | D_PLINT-SP | PB-SP | 9x100x1068 | 9X98.8X1066.8;L2:W2 | 183000_STR=20.36_EDG=SAND STONE P7-500 M1-.6 | 2 |

| | | | |
|-----------------|---------------|------------------|--------------------|
| Model | IVORY_LED567L | | |
| Creator | PASATHORN | .BCP Name | INDEX_C3D_KITCHEN2 |
| Reviewer | | Order | I003084 |
| Approves | P.SAWAI | Date | 08/05/2024 |

IVORY_LED567L-567X299X49

Colour

20.36 ML MD216 (PEARL)_

-
-
-
-

K101L-160169671

Edge

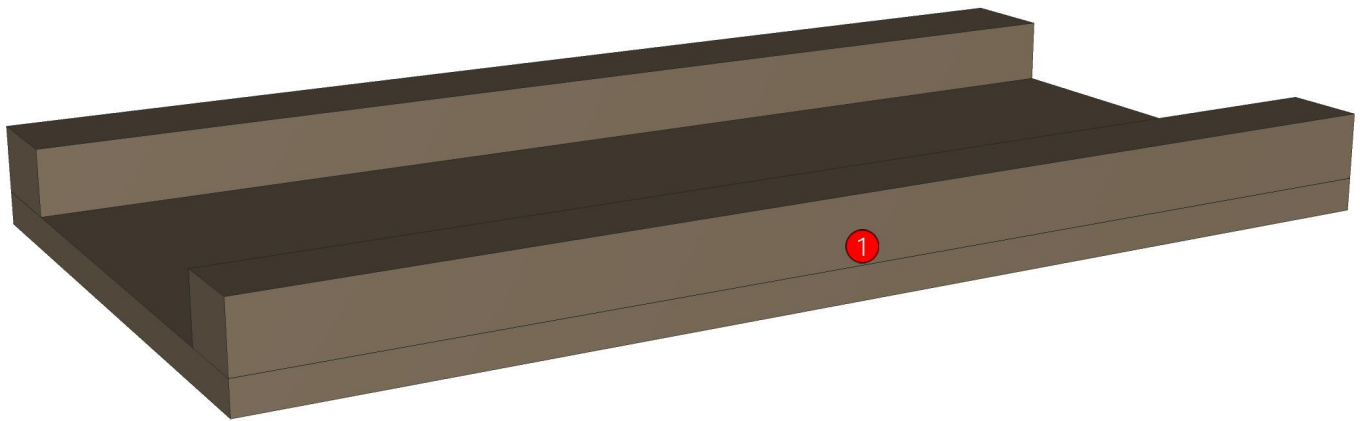
01.476 0.6 SAND STONE P7-500 M1 (73.216) _

-
-
-
-

R&D REVIEW

- DWG.Customer
- Work Report
- Function
- สินค้าตรงตัวอย่าง

ผู้ทบทวน P.SAWAI
25/8/24



| | | | |
|-----------------|---------------|------------------|--------------------|
| Model | IVORY_LED567L | | |
| Creator | PASATHORN | .BCP Name | INDEX_C3D_KITCHEN2 |
| Reviewer | | Order | I003084 |
| Approves | P. SAWAI | Date | 08/05/2024 |

| No. | Article No. | Description | Mat | Dimension | Cutting Size | Typepology | Skin |
|-----|-------------------|-------------------|-------|------------|--------------------|---|------|
| 0 | IVORY_LED567L | IVORY_LED567L | | 567x49x299 | | | |
| | IVORY_LED567L-01 | LEDBOX-SP | PB-SP | 48x299x567 | L2:W0 | 50000_STR=20.36_EDG=SAND STONE P7-500 M1-.6 | 2 |
| | IVORY_LED567L-01A | FLOOR BOX | PB-SP | 16x299x567 | 16X299X567;NO EDGE | 182000_STR=20.36_EDG=- | 2 |
| | IVORY_LED567L-01B | Front SUPPORT BOX | PB-ST | 32x40x567 | 32X40X567;NO EDGE | 182001_STR=20.36_EDG=- | 2 |
| | IVORY_LED567L-01C | BACK SUPPORT BOX | PB-ST | 32x50x567 | 32X50X567;NO EDGE | 182002_STR=20.36_EDG=- | 2 |