

Model	IVORY_DB1068L		
Creator	PASATHORN	.BCP Name	INDEX_C3D_KITCHEN2
Reviewer		Order	I003090
Approves	P.SAWAI	Date	10/05/2024

IVORY_DB1068L-1068X570X901

Colour

05.109 ML.IVORY MD208(PEARL)_

20.36 ML MD216 (PEARL)_

-

-

K100L-160169656

K101L-160169671

Edge

01.475 0.6 MD208 IVORY3995 (11013M1) _

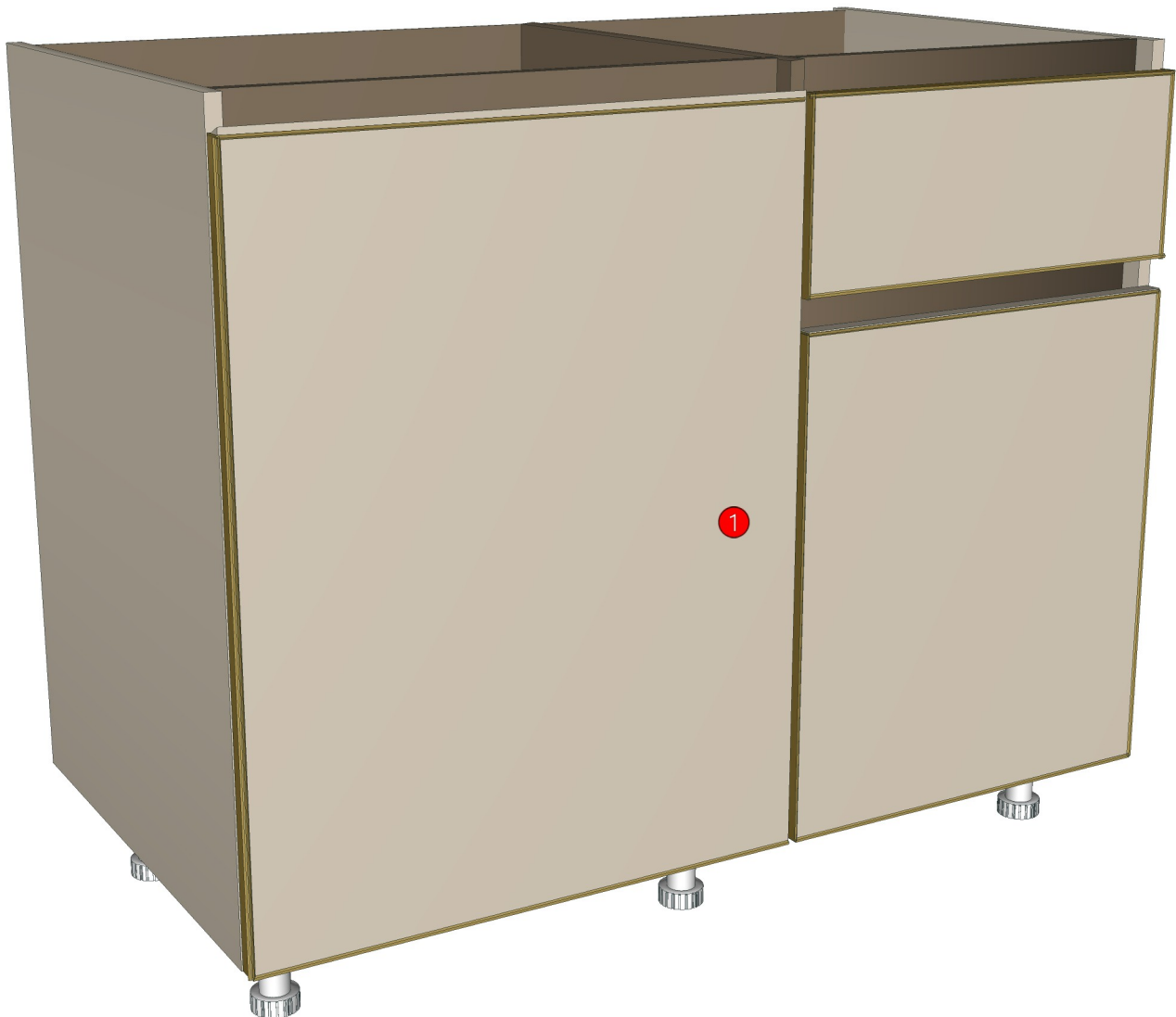
01.476 0.6 SAND STONE P7-500 M1 (73.216) _

-

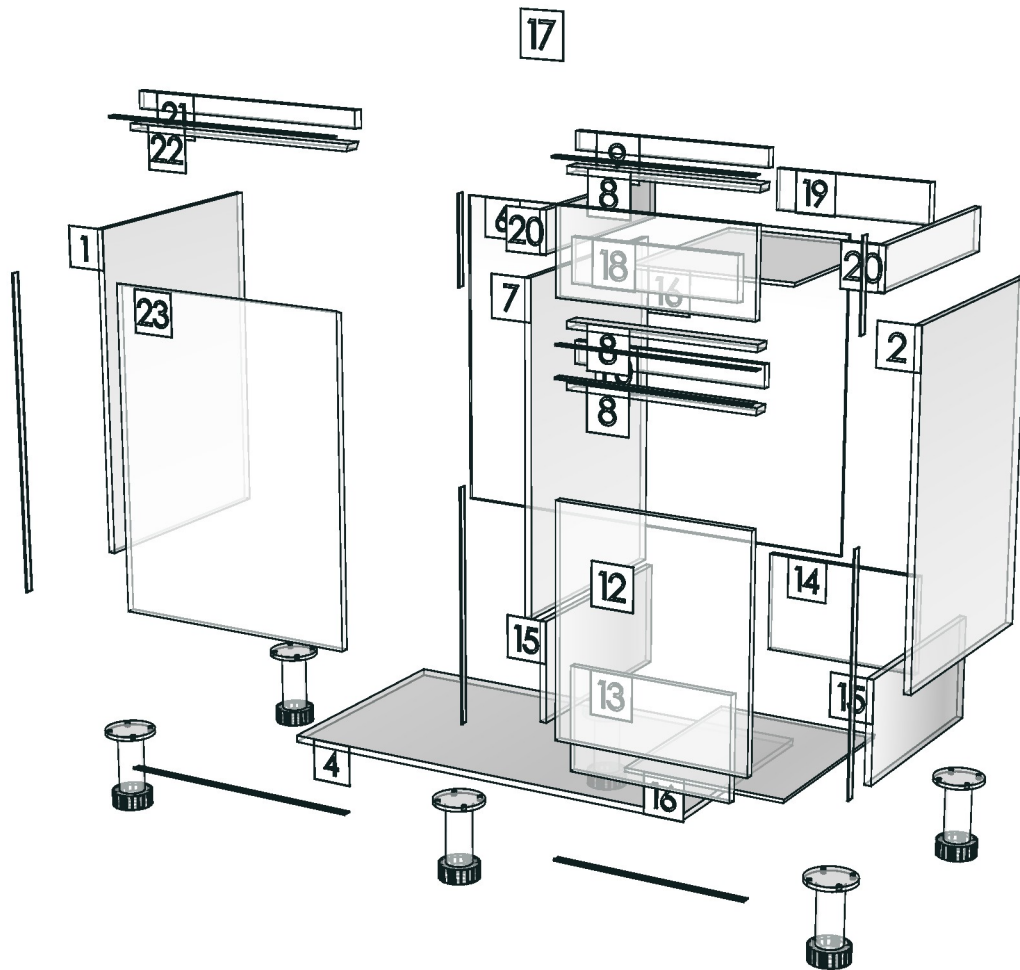
-

-

R&D REVIEW	
<input checked="" type="checkbox"/>	DWG.Customer
<input checked="" type="checkbox"/>	Work Report
<input type="checkbox"/>	Function
<input type="checkbox"/>	สินค้าตรงตัวอย่าง
ผู้ทบทวน <u>P.SAWAI</u>	
<u>25/8/2563</u>	



Model	-IVORY_DB1068L		
Creator		.BCP Name	INDEX_C3D_KITCHEN2
Reviewer		Order	I003090
Approves	P. SAWAI	Date	



Model	IVORY_DBO716		
Creator	PASATHORN	.BCP Name	INDEX_C3D_KITCHEN2
Reviewer		Order	I003083
Approves	P.SAWAI	Date	08/05/2024

IVORY_DBO716-716X593X901

Colour

05.109 ML.IVORY MD208(PEARL)_
20.36 ML MD216 (PEARL)_

-
-
K100L-160169656
K100R-160173917
K101L-160169671
K101R-160173932
K102L-160173947

K108L-160174046
K109L-160174061

Edge

01.475 0.6 MD208 IVORY3995 (11013M1) _
01.476 0.6 SAND STONE P7-500 M1 (73.216) _

-
-
K119L-160174234_E
K120L-160174251_EL
K121R-160174265_I

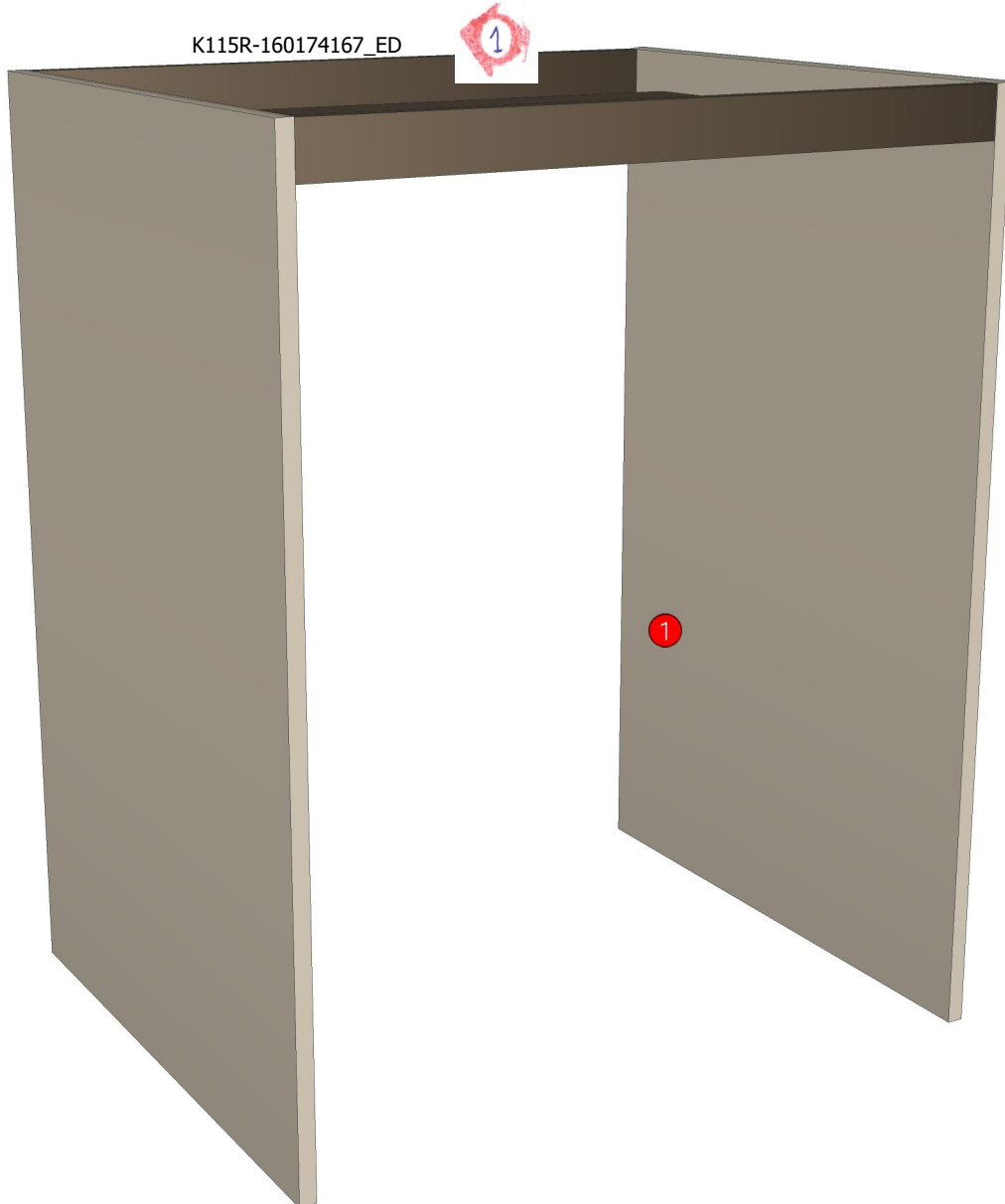
R&D REVIEW

- DWG.Customer
- Work Report
- Function
- สินค้าตรงตัวอย่าง

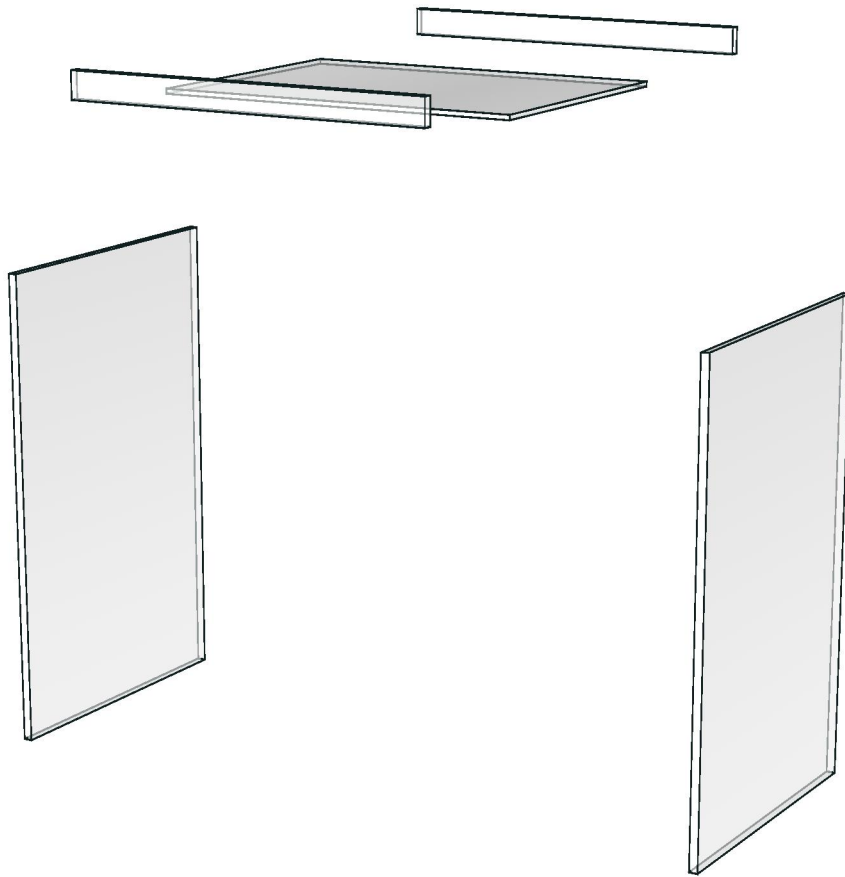
ผู้ทบทวน P.SAWAI
25/8/2563

K105L-160174005

K115R-160174167_ED



Model	-IVORY_DBO716		
Creator		.BCP Name	INDEX_C3D_KITCHEN2
Reviewer		Order	I003083
Approves	P. SAWAI	Date	



Model	IVORY_DEPB		
Creator	PASATHORN	.BCP Name	INDEX_C3D_KITCHEN2
Reviewer		Order	I004460
Approves	<i>P.SAWAI</i>	Date	30/09/2025

IVORY_DEPB-16X593X901

Colour

05.109 ML.IVORY MD208(PEARL)_

-
-
-
- K100L-160169656
- K100R-160173917
- K101L-160169671
- K101R-160173932
- K102L-160173947
- K103R-160173964
- K104R-160173983
- K105L-160174005
- K106L-160174019
- K107R-160174032

Edge

01.475 0.6 MD208 IVORY3995 (11013M1) _

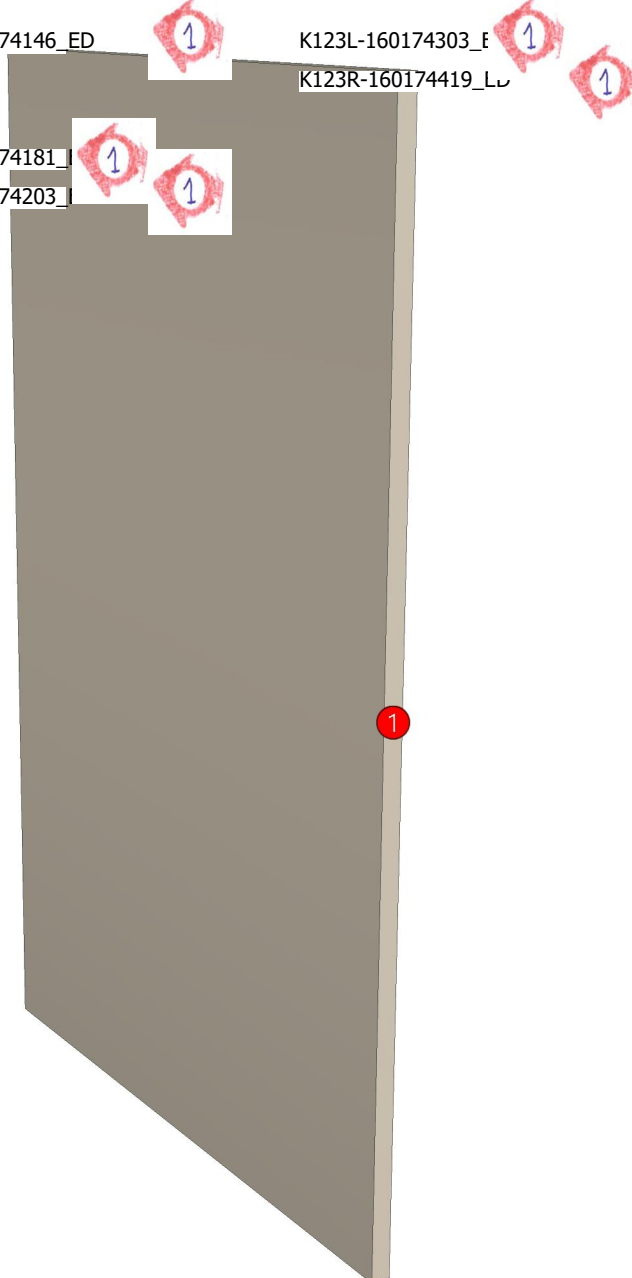
-
-
-
-
- K108L-160174046
- K109L-160174061
- K110L-160174078
-
- K118R-160174224_I
- K119L-160174234_E
-
- K113R-160174146_ED
- K123L-160174303_E
- K123R-160174419_L
- K116R-160174181_I
- K117R-160174203_I

R&D REVIEW

- DWG.Customer
- Work Report
- Function
- สินค้าตรงตัวอย่าง

ผู้ทบทวน P.SAWAI

25/9/25



Model	IVORY_DEPB		
Creator	PASATHORN	.BCP Name	INDEX_C3D_KITCHEN2
Reviewer		Order	I004460
Approves	P. SAWAI	Date	30/09/2025

No.	Article No.	Description	Mat	Dimension	Cutting Size	Typepology	Skin
0	IVORY_DEPB IVORY_DEPB-01	IVORY_DEPB DEP	PB-SP	16x901x593 16x593x901	16X591.8X899.8;L2:W2	181000_STR=05.109_EDG=MD208-.6	2

Model	IVORY_DFL		
Creator	PASATHORN	.BCP Name	INDEX_C3D_KITCHEN2
Reviewer		Order	I003081
Approves	<i>P.SAWAI</i>	Date	08/05/2024

IVORY_DFL-150X19X625

Colour

05.109 ML.IVORY MD208(PEARL)_

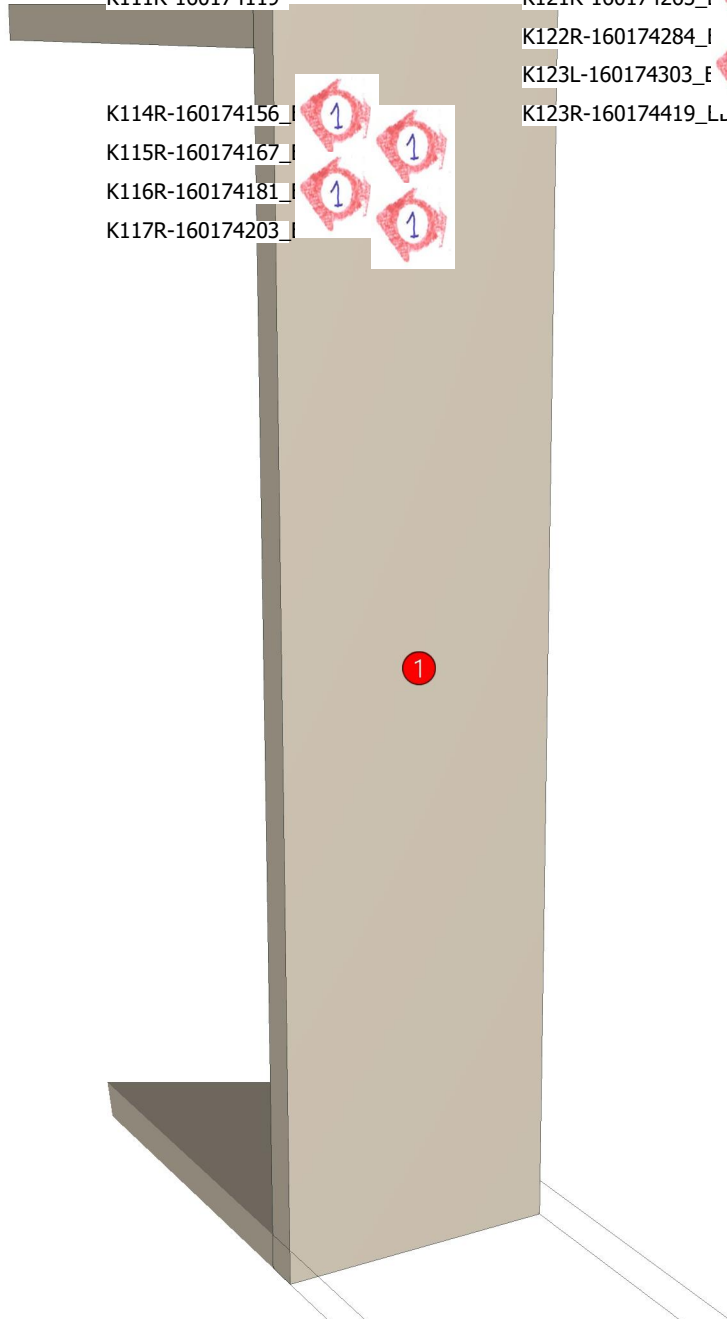
-
-
-
- K100L-160169656
- K100R-160173917
-
- K102L-160173947
- K103R-160173964
- K104R-160173983
- K105L-160174005
-
- K107R-160174032

Edge

01.475 0.6 MD208 IVORY3995 (11013M1) _

-
-
-
-
- K108L-160174046
- K109L-160174061
- K110L-160174078
- K111R-160174119
-
- K114R-160174156
- K115R-160174167
- K116R-160174181
- K117R-160174203

-
-
-
-
-
- K119L-160174234_E
- K120L-160174251_E
- K121R-160174265_I
- K122R-160174284_I
- K123L-160174303_E
- K123R-160174419_L



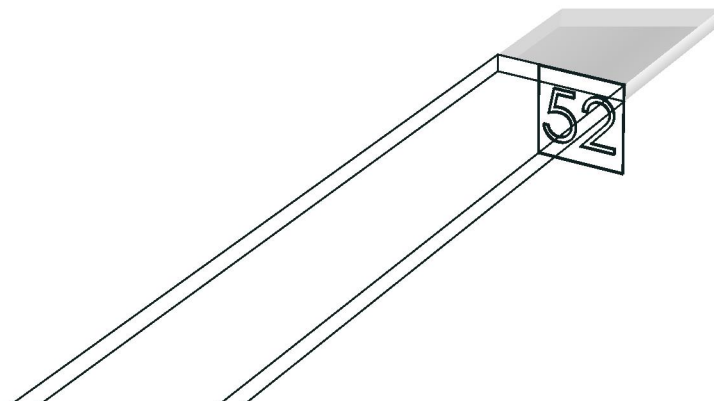
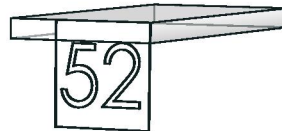
R&D REVIEW

- DWG.Customer
- Work Report
- Function
- สินค้าตรงตัวอย่าง

ผู้ทบทวน P.SAWAI

25/8/24

Model	-IVORY_DFL		
Creator		.BCP Name	INDEX_C3D_KITCHEN2
Reviewer		Order	I003081
Approves	P.SAWAI	Date	



Model	IVORY_DF_CL1900		
Creator	PASATHORN	.BCP Name	INDEX_C3D_KITCHEN2
Reviewer		Order	I003079
Approves	P.SAWAI	Date	08/05/2024

IVORY_DF_CL1900-1900X16X180

Colour

20.36 ML MD216 (PEARL)_

-

-

-

K100L-160169656

K100R-160173917

Edge

01.476 0.6 SAND STONE P7-500 M1 (73.216) _

-

-

-

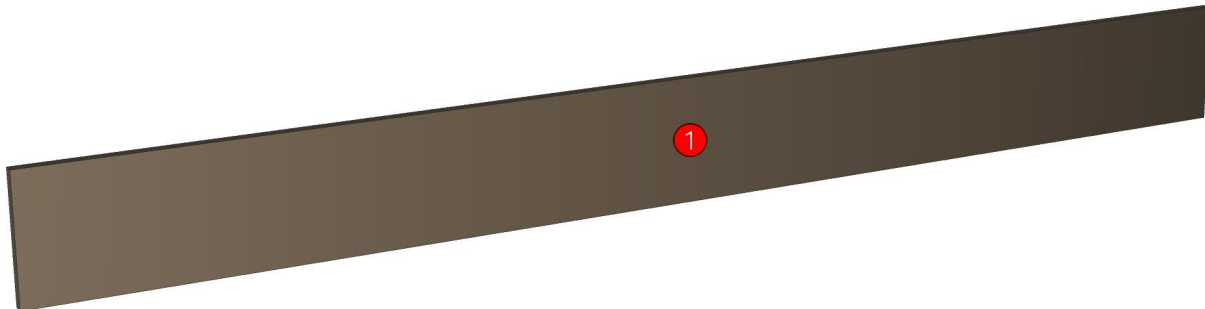
-

K120L-160174251_ED

R&D REVIEW

- DWG.Customer
- Work Report
- Function
- สินค้าตรงตัวอย่าง

ผู้ทบทวน P.SAWAI
25/8/24



Model	IVORY_DF_CL1900		
Creator	PASATHORN	.BCP Name	INDEX_C3D_KITCHEN2
Reviewer		Order	I003079
Approves	P. SAWAI	Date	08/05/2024

No.	Article No.	Description	Mat	Dimension	Cutting Size	Typepology	Skin
0	IVORY_DF_CL1900 IVORY_DF_CL1900-01	IVORY_DF_CL1900 DFCL	PB-SP	1900x180x16 16x180x1900	16X179.4X1899.4;L1:W1	183000_STR=20.36_EDG=SAND STONE P7-500 M1-.6	2

Model	IVORY_DF_CL300		
Creator	PASATHORN	.BCP Name	INDEX_C3D_KITCHEN2
Reviewer		Order	I003076
Approves	P.SAWAI	Date	08/05/2024

IVORY_DF_CL300-300X16X180

Colour

20.36 ML MD216 (PEARL)_

-
-
-
K100L-160169656
K100R-160173917
K101L-160169671
K101R-160173932
K102L-160173947
K103R-160173964
K104R-160173983
K105L-160174005
K106L-160174019
K107R-160174032

Edge

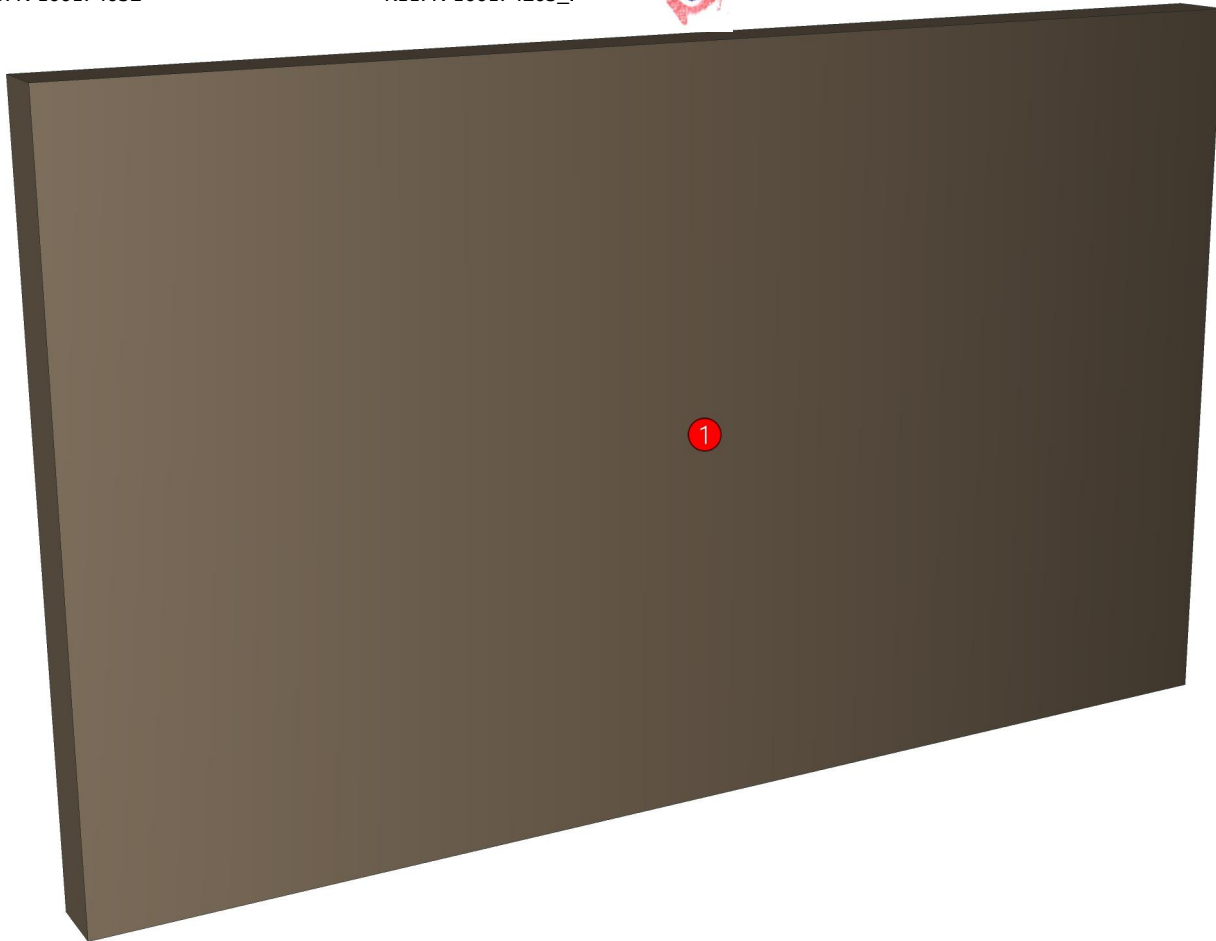
01.476 0.6 SAND STONE P7-500 M1 (73.216) _

-
-
-
K118R-160174224_I
K119L-160174234_E
K108L-160174046
K109L-160174061
K110L-160174078
K111R-160174119
K112R-160174137_I
K113R-160174146_I
K114R-160174156_I
K116R-160174181_I
K117R-160174203_I

R&D REVIEW

- DWG.Customer
- Work Report
- Function
- สินค้าตรงตัวอย่าง

ผู้ทบทวน P.SAWAI
25/8/2563



Model	IVORY_DF_CL300		
Creator	PASATHORN	.BCP Name	INDEX_C3D_KITCHEN2
Reviewer		Order	I003076
Approves	P. SAWAI	Date	08/05/2024

No.	Article No.	Description	Mat	Dimension	Cutting Size	Typepology	Skin
0	IVORY_DF_CL300 IVORY_DF_CL300-01	IVORY_DF_CL300 DF_CL-SP	PB-SP	300x180x16 16x180x300	16X179.4X299.4;L1:W1	183000_STR=20.36_EDG=SAND STONE P7-500 M1-.6	2

Model	IVORY_DF_CL700		
Creator	PASATHORN	.BCP Name	INDEX_C3D_KITCHEN2
Reviewer		Order	I003077
Approves	P.SAWAI	Date	08/05/2024

IVORY_DF_CL700-700X16X180

Colour

20.36 ML MD216 (PEARL)_

-

-

-

K100L-160169656

K100R-160173917

Edge

01.476 0.6 SAND STONE P7-500 M1 (73.216) _

-

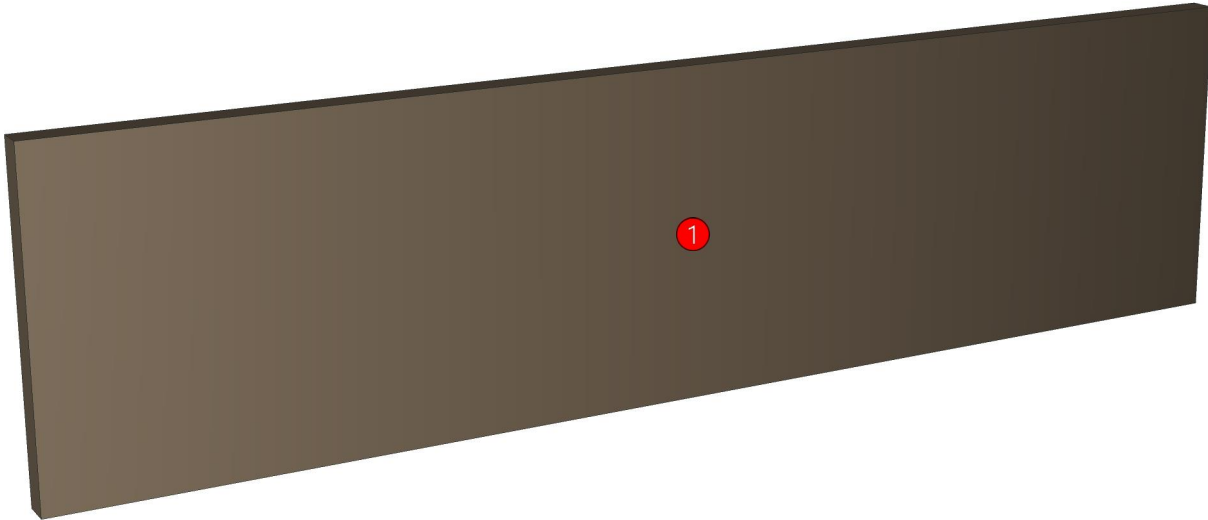
-

-

-

K110L-160174078

R&D REVIEW	
<input checked="" type="checkbox"/>	DWG.Customer
<input checked="" type="checkbox"/>	Work Report
<input type="checkbox"/>	Function
<input type="checkbox"/>	สินค้าตรงตัวอย่าง
ผู้ทบทวน <u>P.SAWAI</u>	
<u>25/8/24</u>	



Model	IVORY_DF_CL700		
Creator	PASATHORN	.BCP Name	INDEX_C3D_KITCHEN2
Reviewer		Order	I003077
Approves	P. SAWAI	Date	08/05/2024

No.	Article No.	Description	Mat	Dimension	Cutting Size	Typepology	Skin
0	IVORY_DF_CL700 IVORY_DF_CL700-01	IVORY_DF_CL700 DFCL	PB-SP	700x180x16 16x180x700	16X179.4X698.8;L1:W2	183000_STR=20.36_EDG=SAND STONE P7-500 M1-.6	2

Model	IVORY_DL55LS		
Creator	PASATHORN	.BCP Name	INDEX_C3D_KITCHEN2
Reviewer		Order	I003099
Approves	P-SAWAI	Date	13/05/2024

IVORY_DL55LS-550X300X625

Colour

05.109 ML.IVORY MD208(PEARL)_

20.36 ML MD216 (PEARL)_

-

-

K100L-160169656

Edge

01.475 0.6 MD208 IVORY3995 (11013M1) _

01.476 0.6 SAND STONE P7-500 M1 (73.216) _

-

-

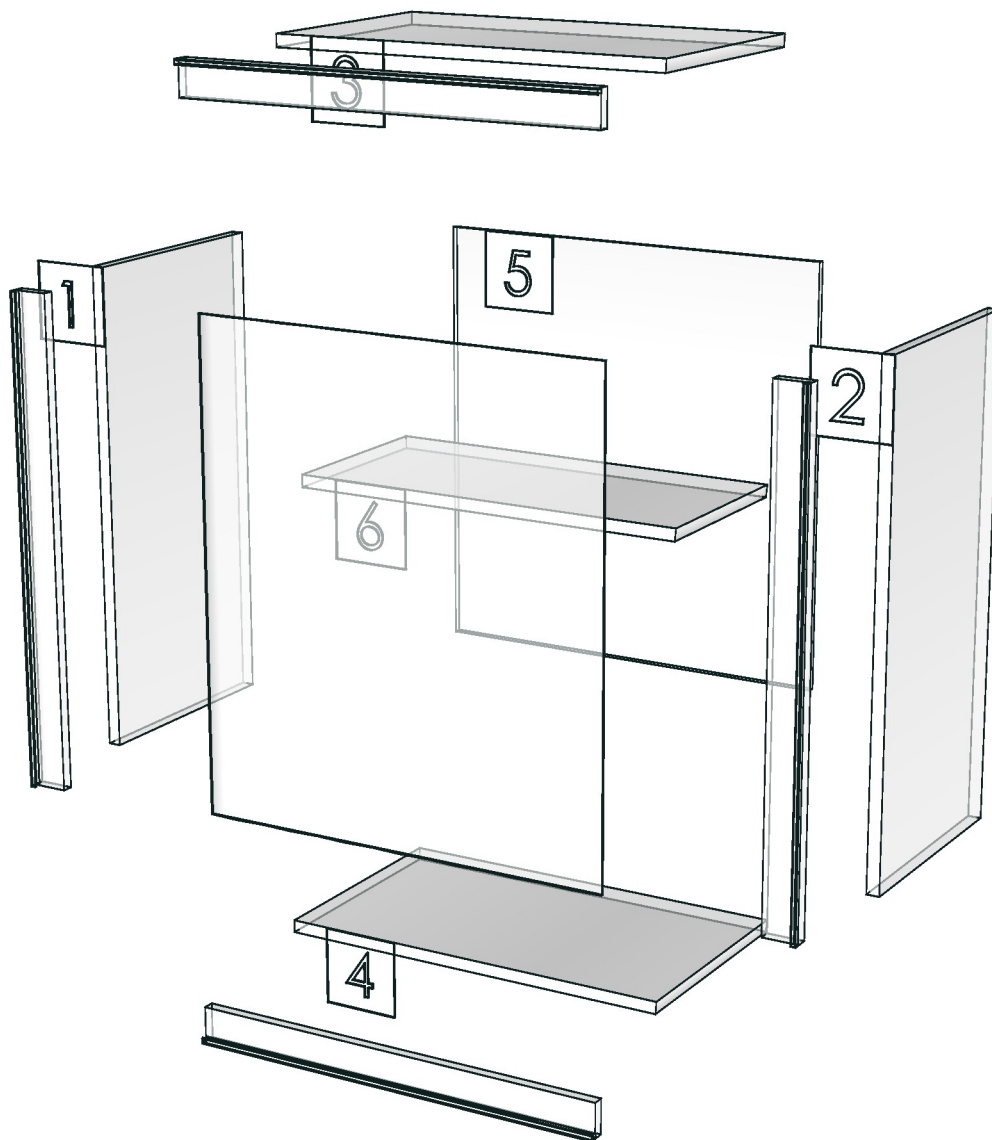
-

K110L-160174078

R&D REVIEW	
<input checked="" type="checkbox"/>	DWG.Customer
<input checked="" type="checkbox"/>	Work Report
<input type="checkbox"/>	Function
<input type="checkbox"/>	สินค้าตรงตัวอย่าง
ผู้ทบทวน <u>P-SAWAI</u>	
<u>13/05/2024</u>	



Model	-IVORY_DL55LS		
Creator		.BCP Name	INDEX_C3D_KITCHEN2
Reviewer		Order	I003099
Approves	P.SAWAI	Date	



Model	IVORY_DL60HR		
Creator	PASATHORN	.BCP Name	INDEX_C3D_KITCHEN2
Reviewer		Order	I003096
Approves	<i>P.SAWAI</i>	Date	11/05/2024

IVORY_DL60HR-600X300X580

Colour

05.109 ML.IVORY MD208(PEARL)_
20.36 ML MD216 (PEARL)_

-
-

K100L-160169656

K108L-160174046

K109L-160174061

K101L-160169671

K110L-160174078

K102L-160173947

K103R-160173964

K114R-160174156

K105L-160174005

K106L-160174019

Edge

01.475 0.6 MD208 IVORY3995 (11013M1) _
01.476 0.6 SAND STONE P7-500 M1 (73.216) _

-
-

K119L-160174234

K120L-160174251

K123L-160174303

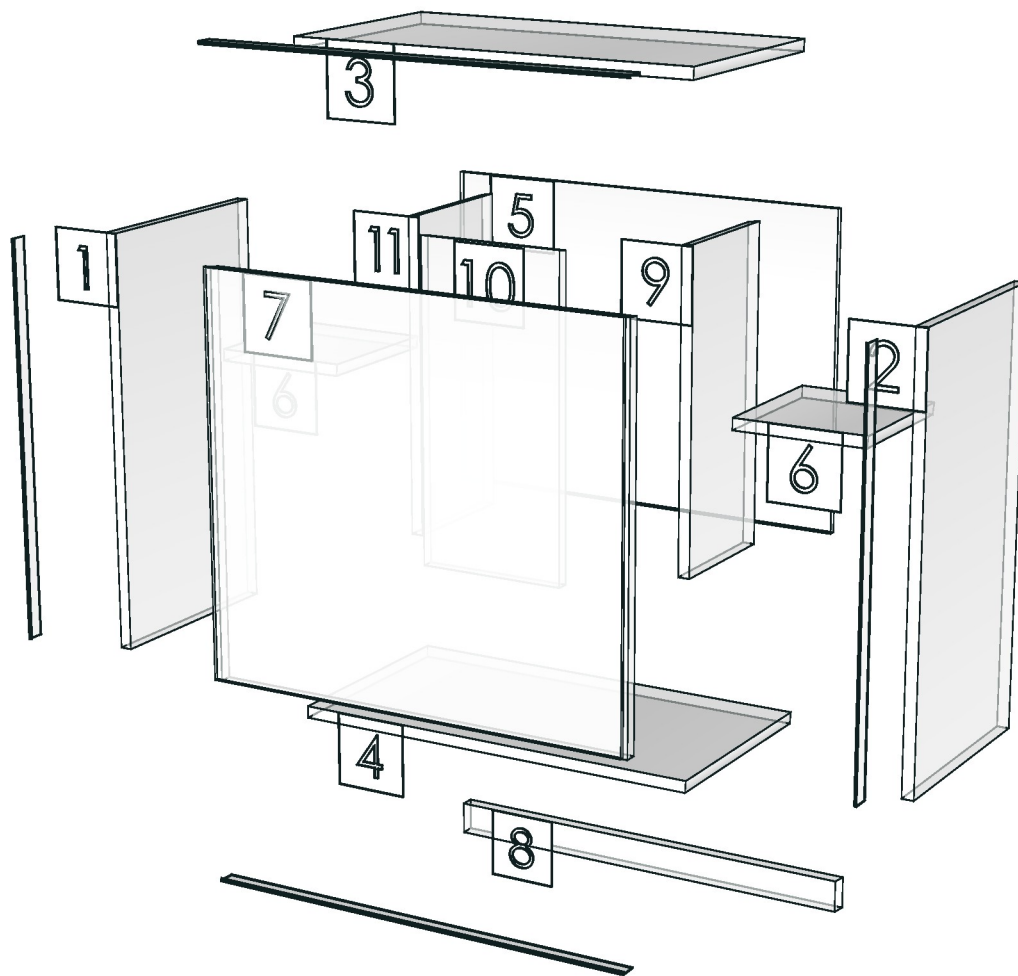
R&D REVIEW

- DWG.Customer
- Work Report
- Function
- สิ้นค้าตรงตัวอย่าง

ผู้ทบทวน P.SAWAI
11/05/2024



Model	-IVORY_DL60HR	.BCP Name	INDEX_C3D_KITCHEN2
Creator		Order	I003096
Reviewer		Date	
Approves	P. SAWAI		



Model	IVORY_DLOMV60		
Creator	PASATHORN	.BCP Name	INDEX_C3D_KITCHEN2
Reviewer		Order	I003102
Approves	<i>P.SAWAI</i>	Date	13/05/2024

IVORY_DLOMV60-600X380X625

Colour

05.109 ML.IVORY MD208(PEARL)_
20.36 ML MD216 (PEARL)_
05.01 ML WHITE VM1012 18/18_

-
K100L-160169656
K100R-160173917
K101L-160169671
K101R-160173932
K102L-160173947
K103R-160173964
K104R-160173983
K105L-160174005

K107R-160174032

Edge

01.475 0.6 MD208 IVORY3995 (11013M1) _
01.476 0.6 SAND STONE P7-500 M1 (73.216) _

-
-
-

K109L-160174061
K110L-160174078
K111R-160174119

K115R-160174167_F

K116R-160174181

K117R-160174203

K120L-160174251_F
K121R-160174265_I
K122R-160174284_I
K123L-160174303_F
K123R-160174419_L

R&D REVIEW

DWG.Customer

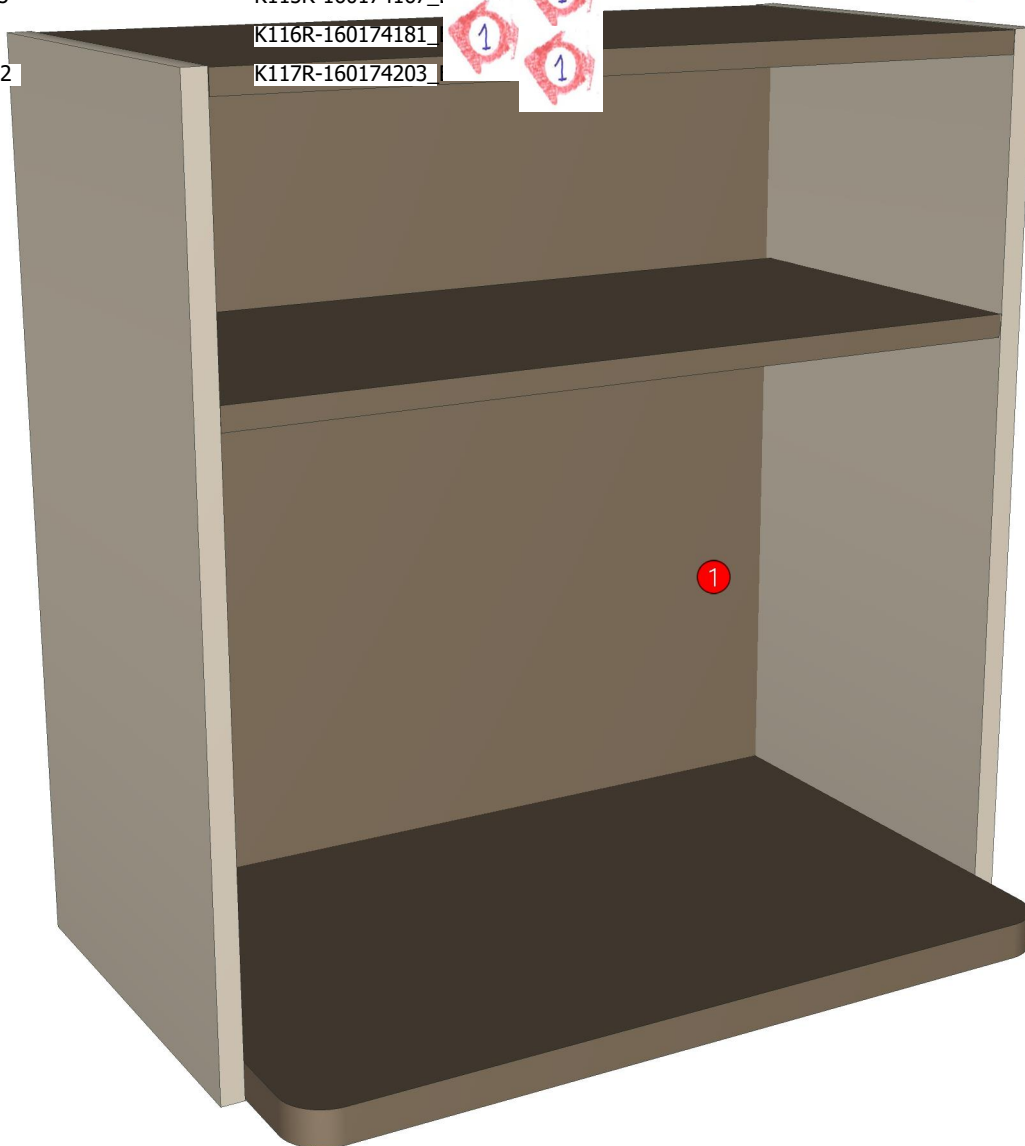
Work Report

Function

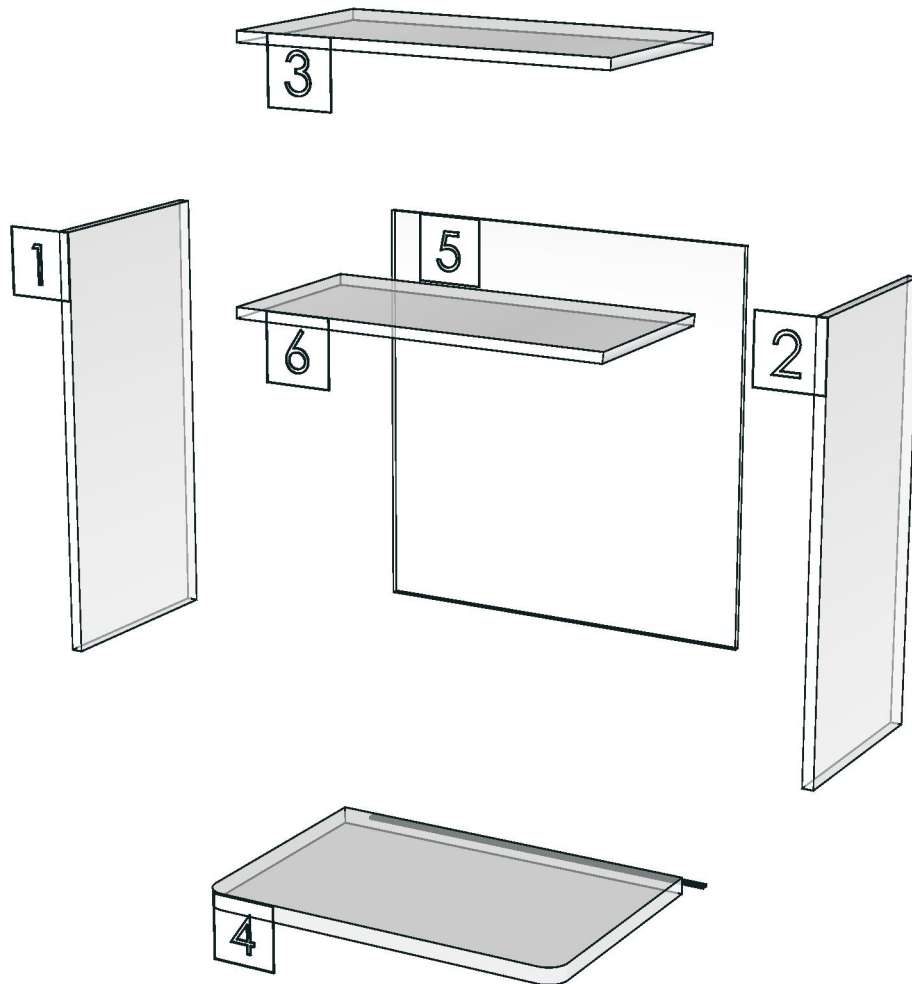
สินค้าตรงตัวอย่าง

ผู้ทบทวน *P.SAWAI*

25/05/2024



Model	-IVORY_DLOMV60		
Creator		.BCP Name	INDEX_C3D_KITCHEN2
Reviewer		Order	I003102
Approves	P.SAWAI	Date	



Model	IVORY_DUT1800		
Creator	PASATHORN	.BCP Name	INDEX_C3D_KITCHEN2
Reviewer		Order	I003070
Approves	P.SAWAI	Date	07/05/2024

IVORY_DUT1800-1800X60X12

Colour

05.01 ML WHITE VM1012 18/18_

-

-

-

K100L-160169656

K108L-160174046

K100R-160173917

K101L-160169671

K120L-160174251_ED

K101R-160173932

K122R-160174284_ED

K103R-160173964

Edge

01.24 0.6 WHITE _

-

-

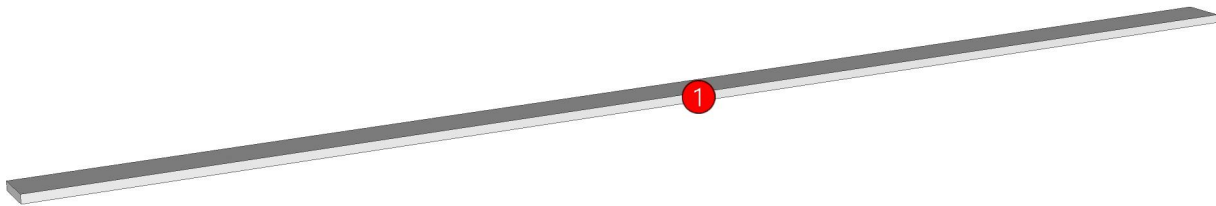
-

-

R&D REVIEW

- DWG.Customer
- Work Report
- Function
- สินค้าตรงตัวอย่าง

ผู้ทบทวน P.SAWAI
25/8/2563



Model	IVORY_DUT1800		
Creator	PASATHORN	.BCP Name	INDEX_C3D_KITCHEN2
Reviewer		Order	I003070
Approves	P. SAWAI	Date	07/05/2024

No.	Article No.	Description	Mat	Dimension	Cutting Size	Typepology	Skin
0	IVORY_DUT1800 IVORY_DUT1800-01	IVORY_DUT1800 DUT	PB-SP	1800x12x60 12x60x1800	12X58.8X1800;L2:W0	182000_STR=05.01_EDG=WHITE-.6	2

Model	IVORY_DUT500		
Creator	PASATHORN	.BCP Name	INDEX_C3D_KITCHEN2
Reviewer		Order	I003067
Approves	P.SAWAI	Date	07/05/2024

IVORY_DUT500-500X60X12

Colour

05.01 ML WHITE VM1012 18/18_

-
-
-
K100L-160169656
K100R-160173917
K101L-160169671
K101R-160173932
K102L-160173947
K103R-160173964
K104R-160173983
K105L-160174005
K106L-160174019
K107R-160174032

Edge

01.24 0.6 WHITE _

K108L-160174046
K109L-160174061
K110L-160174078
K111R-160174119
K112R-160174137_I
K113R-160174146_I
K114R-160174156_I
K115R-160174167_I
K116R-160174181_I
K117R-160174203_I
K118R-160174224_I
K119L-160174234_E
K120L-160174251_E
K121R-160174265_I
K122R-160174284_I
K123L-160174303_E
K123R-160174419_L

R&D REVIEW

DWG.Customer

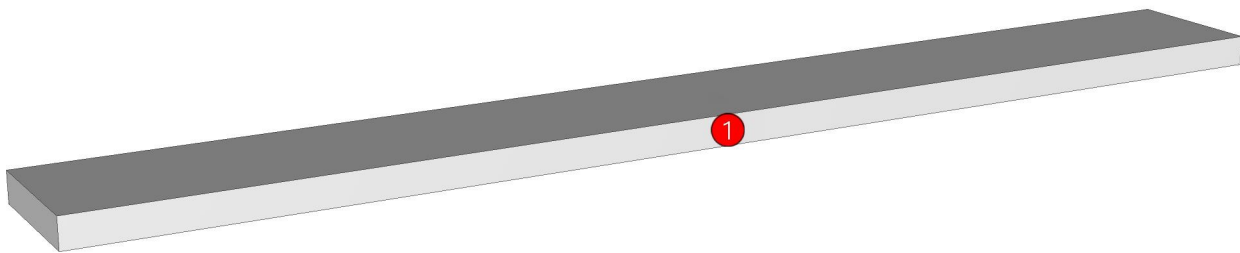
Work Report

Function

สินค้าตรงตัวอย่าง

ผู้ทบทวน P.SAWAI

25/8/2563



Model	IVORY_DUT500		
Creator	PASATHORN	.BCP Name	INDEX_C3D_KITCHEN2
Reviewer		Order	I003067
Approves	P. SAWAI	Date	07/05/2024

No.	Article No.	Description	Mat	Dimension	Cutting Size	Typepology	Skin
0	IVORY_DUT500 IVORY_DUT500-01	IVORY_DUT500 DUT-SP	PB-SP	500x12x60 12x60x500	12X58.8X500;L2:W0	182000_STR=05.01_EDG=WHITE-.6	2

Model	IVORY_DWO70		
Creator	PASATHORN	.BCP Name	INDEX_C3D_KITCHEN2
Reviewer		Order	I003097
Approves	P.SAWAI	Date	13/05/2024

IVORY_DWO70-700X300X450

Colour

05.109 ML.IVORY MD208(PEARL)_

20.36 ML MD216 (PEARL)_

-

-

K100L-160169656

K100R-160173917

K101L-160169671

K101R-160173932

K104R-160173983

Edge

01.475 0.6 MD208 IVORY3995 (11013M1) _

01.476 0.6 SAND STONE P7-500 M1 (73.216) _

-

-

-

K123L-160174303_E

K123R-160174419_L

R&D REVIEW

DWG.Customer

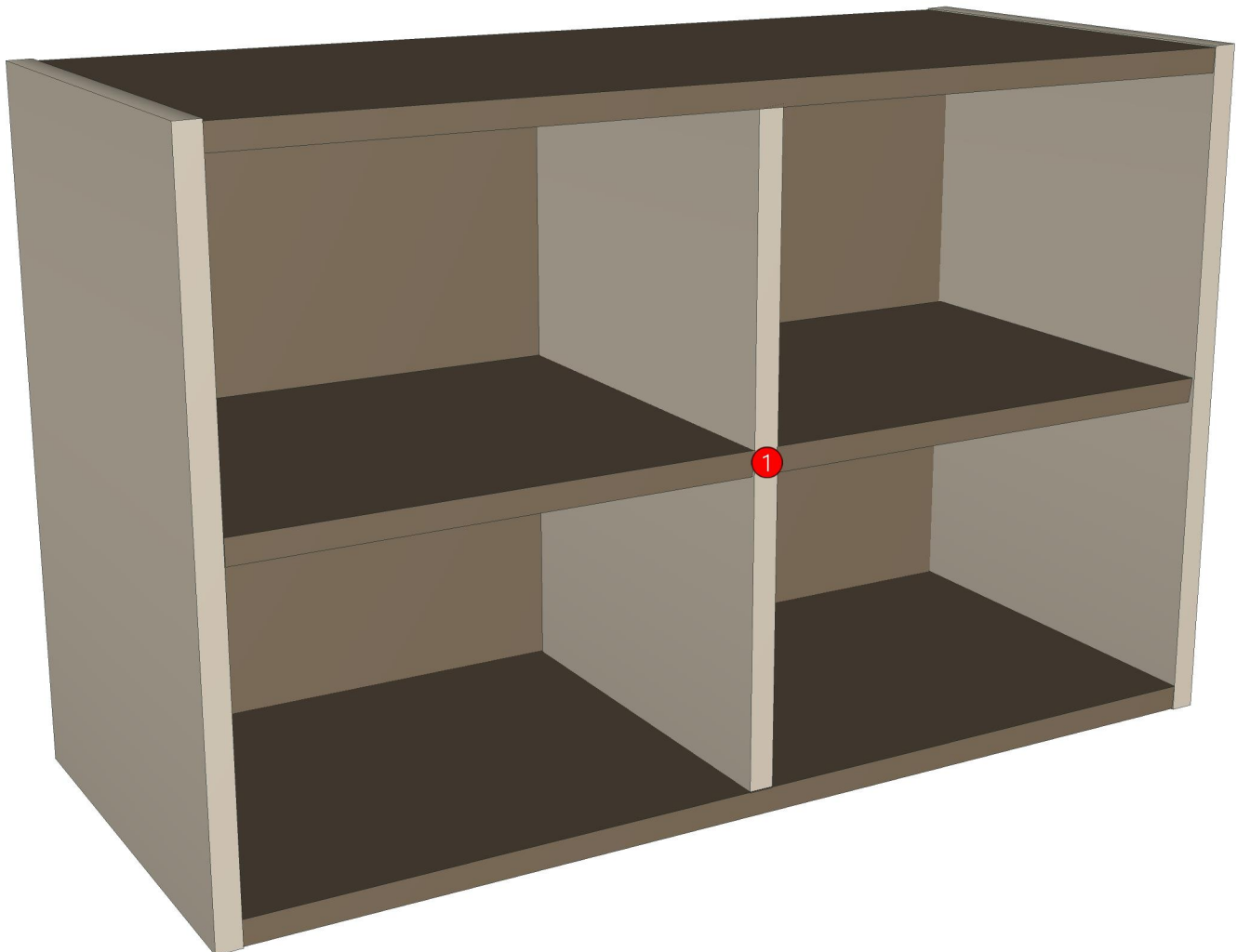
Work Report

Function

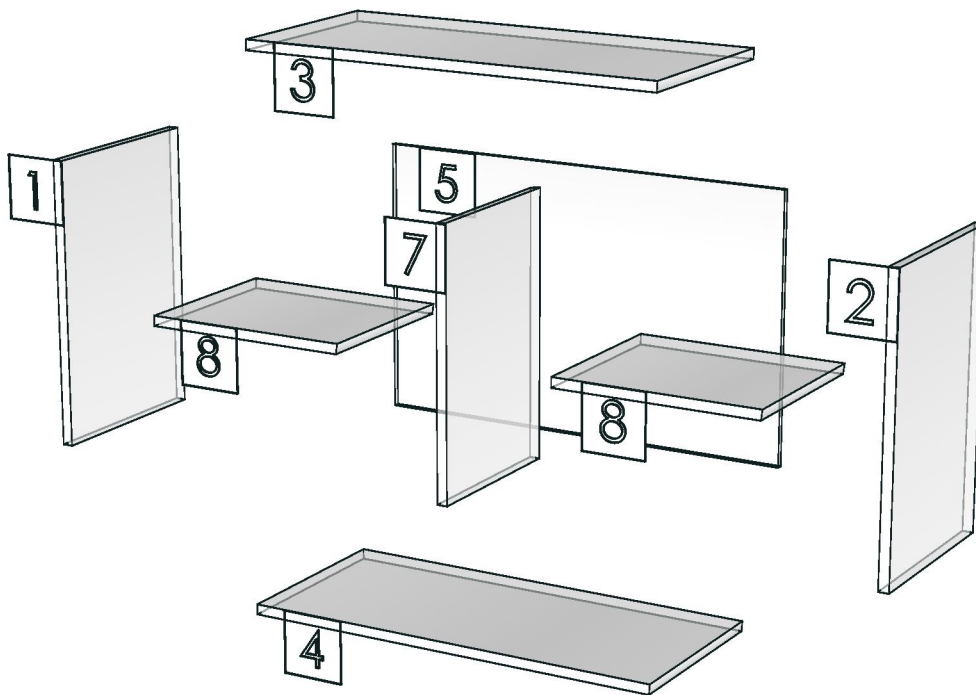
สินค้าตรงตัวอย่าง

ผู้ทบทวน P.SAWAI

25/8/2563



Model	-IVORY_DW070		
Creator		.BCP Name	INDEX_C3D_KITCHEN2
Reviewer		Order	I003097
Approves	P.SAWAI	Date	



Model	IVORY_D_PLT1068		
Creator	PASATHORN	.BCP Name	INDEX_C3D_KITCHEN2
Reviewer		Order	I003074
Approves		Date	07/05/2024

IVORY_D_PLT1068-1068X9X100

Colour

20.36 ML MD216 (PEARL)_

-

-

-

K100L-160169656

K100R-160173917

K101L-160169671

K101R-160173932

Edge

01.476 0.6 SAND STONE P7-500 M1 (73.216) _

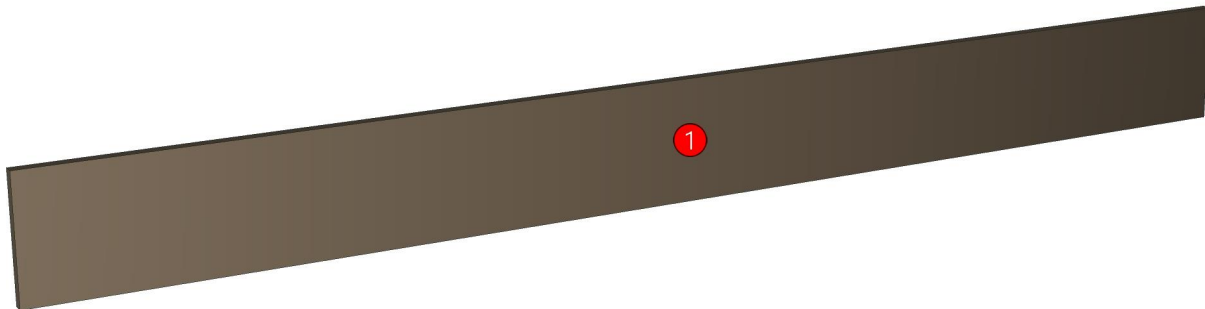
-

-

-

-

R&D REVIEW	
<input checked="" type="checkbox"/>	DWG.Customer
<input checked="" type="checkbox"/>	Work Report
<input type="checkbox"/>	Function
<input type="checkbox"/>	สินค้าตรงตัวอย่าง
ผู้ทบทวน _____	



Model	IVORY_D_PLT1068		
Creator	PASATHORN	.BCP Name	INDEX_C3D_KITCHEN2
Reviewer		Order	I003074
Approves		Date	07/05/2024

No.	Article No.	Description	Mat	Dimension	Cutting Size	Typepology	Skin
0	IVORY_D_PLT1068 IVORY_D_PLT1068-01	IVORY_D_PLT1068 D_PLINT-SP	PB-SP	1068x100x9 9x100x1068	9X98.8X1066.8;L2:W2	183000_STR=20.36_EDG=SAND STONE P7-500 M1-.6	2

Model	IVORY_LED517L		
Creator	PASATHORN	.BCP Name	INDEX_C3D_KITCHEN2
Reviewer		Order	I003086
Approves	P.SAWAI	Date	09/05/2024

IVORY_LED517L-517X299X49

Colour

20.36 ML MD216 (PEARL)_

-

-

-

K100L-160169656

Edge

01.476 0.6 SAND STONE P7-500 M1 (73.216) _

-

-

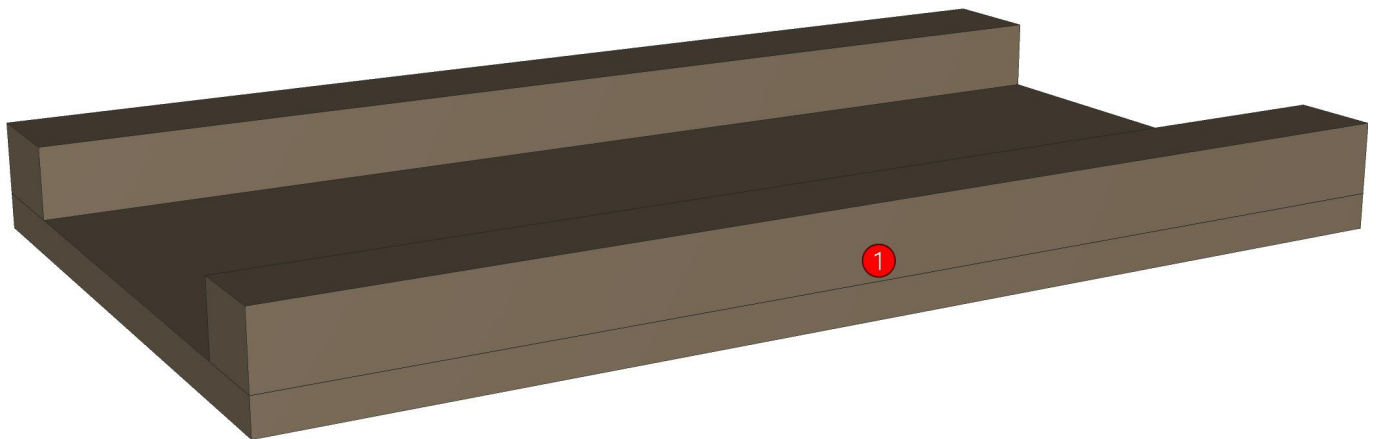
-

-

R&D REVIEW

- DWG.Customer
- Work Report
- Function
- สินค้าตรงตัวอย่าง

ผู้ทบทวน P.SAWAI
25/8/2563



Model	IVORY_LED517L		
Creator	PASATHORN	.BCP Name	INDEX_C3D_KITCHEN2
Reviewer		Order	I003086
Approves	P. SAWAI	Date	09/05/2024

No.	Article No.	Description	Mat	Dimension	Cutting Size	Typepology	Skin
0	IVORY_LED517L	IVORY_LED517L		517x49x299			
	IVORY_LED517L-01	LEDBOX-SP	PB-SP	48x299x517	L2:W0	50000_STR=20.36_EDG=SAND STONE P7-500 M1-.6	2
	IVORY_LED517L-01A	FLOOR BOX	PB-SP	16x299x517	16X299X517;NO EDGE	182000_STR=20.36_EDG=-	2
	IVORY_LED517L-01B	Front SUPPORT BOX	PB-ST	32x40x517	32X40X517;NO EDGE	182001_STR=20.36_EDG=-	2
	IVORY_LED517L-01C	BACK SUPPORT BOX	PB-ST	32x50x517	32X50X517;NO EDGE	182002_STR=20.36_EDG=-	2