

Model	ESCENT_PK2_DBO666L		
Creator	PASATHORN	.BCP Name	INDEX_C3D_KITCHEN2
Reviewer		Order	I004369
Approves	P.SAWAI	Date	21/08/2025

ESCENT_PK2_DBO666L-666X570X922

Colour

05.30 ML WHITE SAND #VM1012/2610/2610(PEARL)_

05.79 ML.NATURAL ASH (VM20682/2097/2097)_

-
-
-

Edge

01.47 1 WHITE _

01.421 1 NATURAL ASH (DA56-11001-M0)_

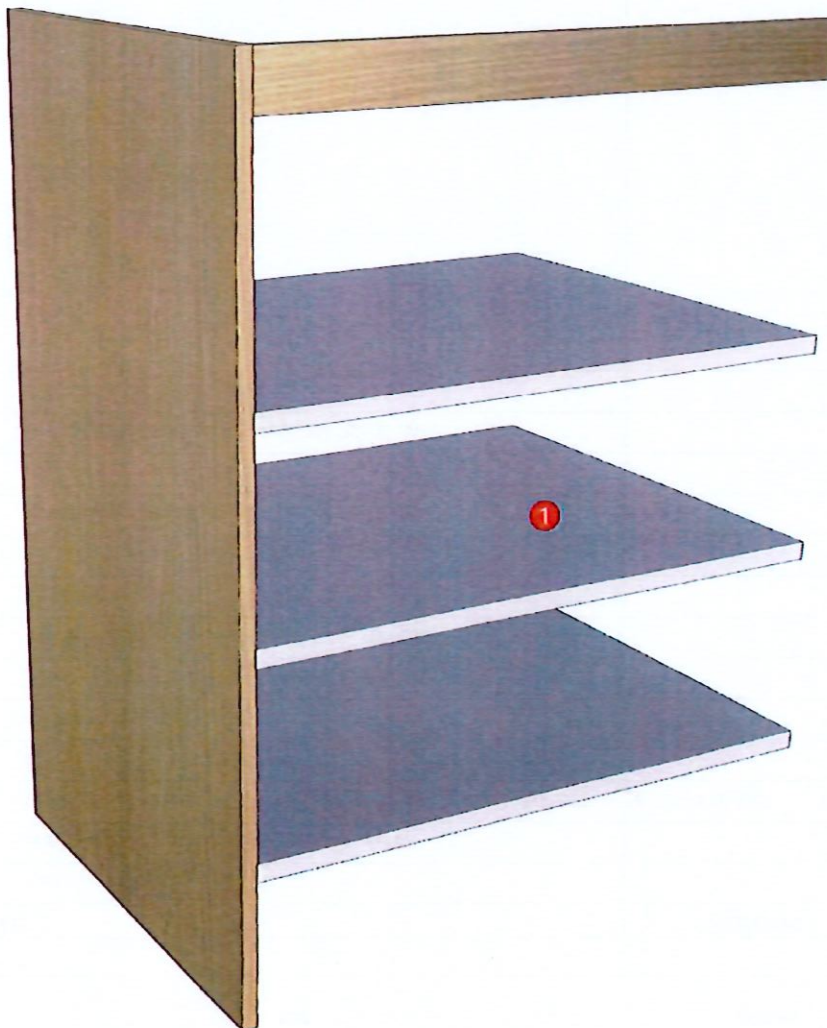
-
-
-

R&D REVIEW

- DWG.Customer
 - Work Report
 - Function
 - สินค้าตรงตัวอย่าง
- ผู้ทบทวน P.SAWAI
21 / 11 / 2025

K3R-160170395

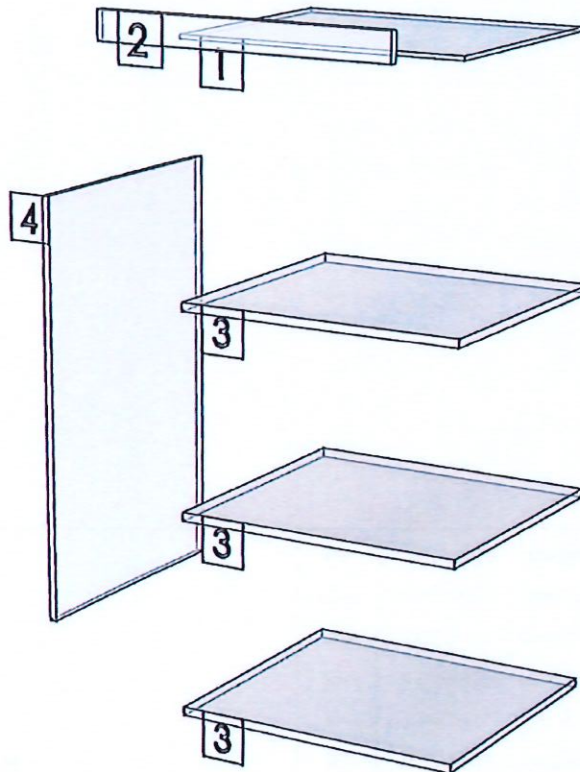
K4L-160168276



PRODUCT SIZE DRAWING :W666 X D570 X H922

PAGE 1

Model	-ESCENT_PK2_DBO666L		
Creator		.BCP Name	INDEX_C3D_KITCHEN2
Reviewer		Order	I004369
Approves	P.SAWAI	Date	



Model	ESCENT_PK2_DB301LS		
Creator	PASATHORN	.BCP Name	INDEX_C3D_KITCHEN2
Reviewer		Order	I004373
Approves	<i>P.SAWWI</i>	Date	25/08/2025

ESCENT_PK2_DB301LS-300X570X922

Colour

05.30 ML WHITE SAND #VM1012/2610/2610(PEARL)_
05.79 ML.NATURAL ASH (VM20682/2097/2097)_

-
-
-

Edge

01.47 1 WHITE _
01.421 1 NATURAL ASH (DA56-11001-M0) _

-
-
-

K4L-160168276

R&D REVIEW

DWG.Customer

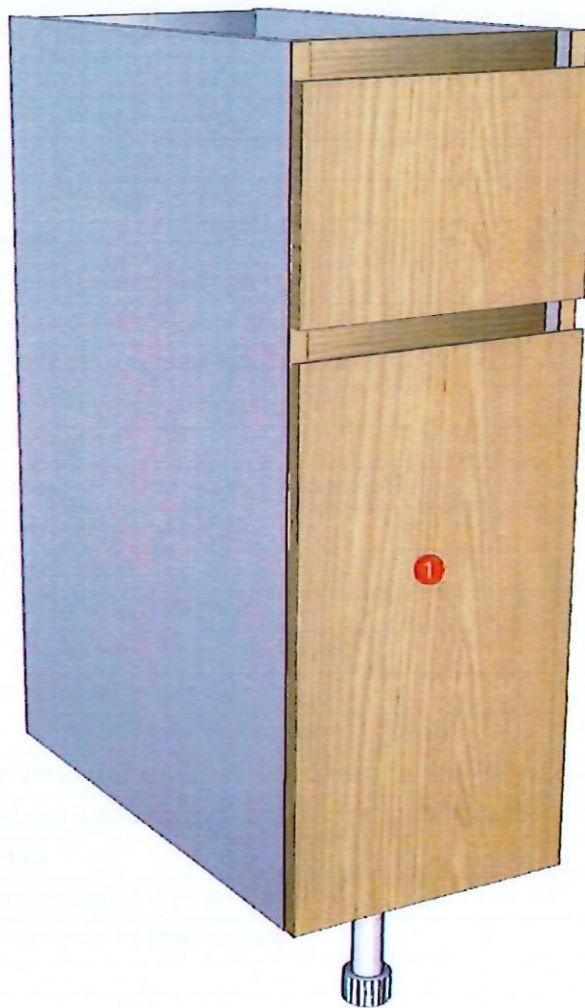
Work Report

Function

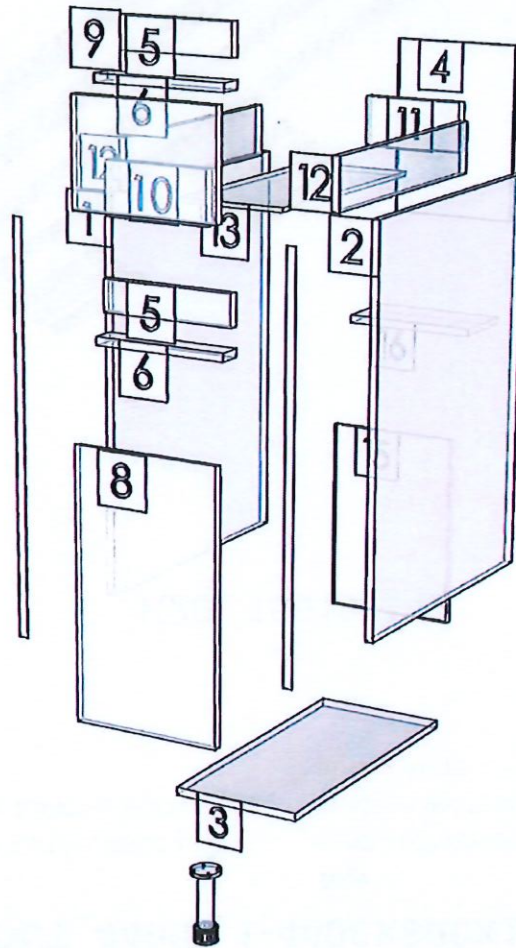
สินค้าคงตัวอย่างไร

ผู้ควบคุม *P.SAWWI*

24 / 9 / 2025



Model	-ESCENT_PK2_DB301LS		
Creator		.BCP Name	INDEX_C3D_KITCHEN2
Reviewer		Order	I004373
Approves	M.SAWAI	Date	



Model	ESCENT_PK2_DB30RS		
Creator	PASATHORN	.BCP Name	INDEX_C3D_KITCHEN2
Reviewer		Order	I004372
Approves	<u>P. SAWAI</u>	Date	22/08/2025

ESCENT_PK2_DB30RS-300X440X922

Colour

05.30 ML WHITE SAND #VM1012/2610/2610(PEARL)_
05.79 ML.NATURAL ASH (VM20682/2097/2097)_

-
-
-

Edge

01.47 1 WHITE _
01.421 1 NATURAL ASH (DA56-11001-M0) _

-
-
-

K4L-160168276

R&D REVIEW

DWG.Customer

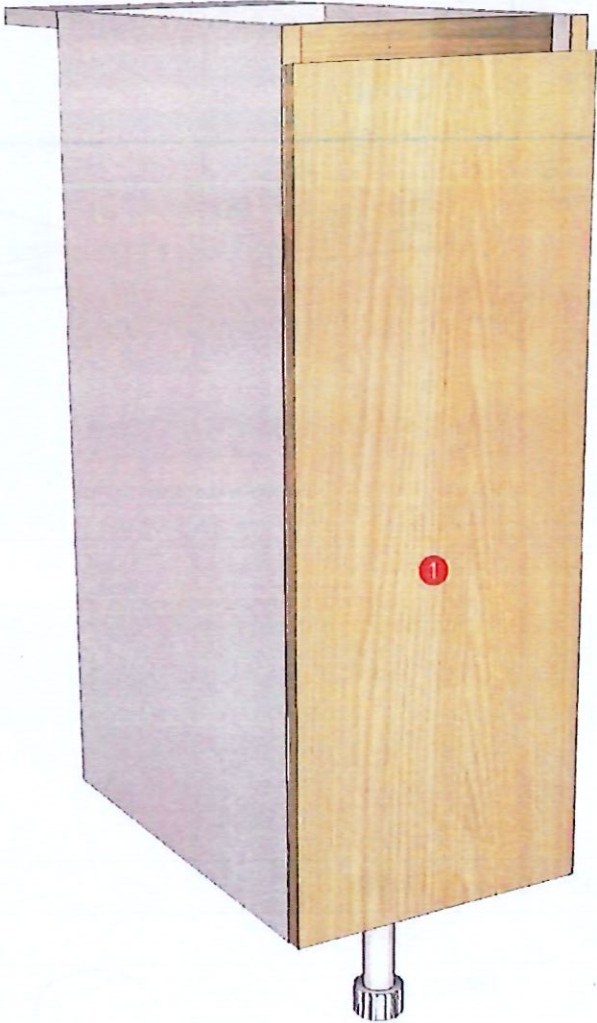
Work Report

Function

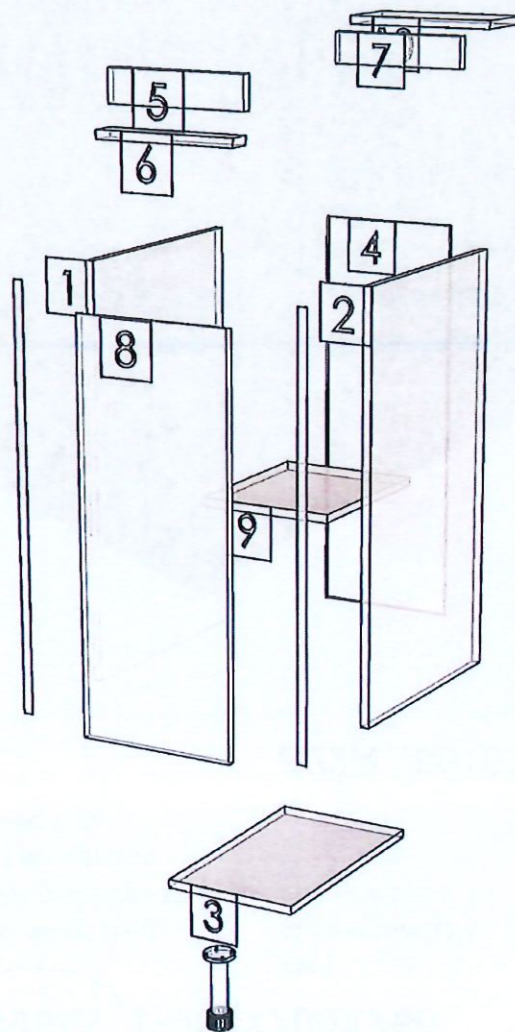
สินค้าตรงตัวอย่าง

ผู้กบทรน P. SAWAI

10/ 9 / 68



Model	-ESCENT_PK2_DB30RS		
Creator		.BCP Name	INDEX_C3D_KITCHEN2
Reviewer		Order	I004372
Approves	P. SAWAI	Date	



Model	ESCENT_PK2_DBSC10057L		
Creator	PASATHORN	.BCP Name	INDEX_C3D_KITCHEN2
Reviewer		Order	I004374
Approves	P. SAWAI	Date	26/08/2025

ESCENT_PK2_DBSC10057L-1000X570X922

Colour

05.30 ML WHITE SAND #VM1012/2610/2610(PEARL)_

05.79 ML.NATURAL ASH (VM20682/2097/2097)_

-
-
-

Edge

01.47 1 WHITE _

01.421 1 NATURAL ASH (DA56-11001-M0) _

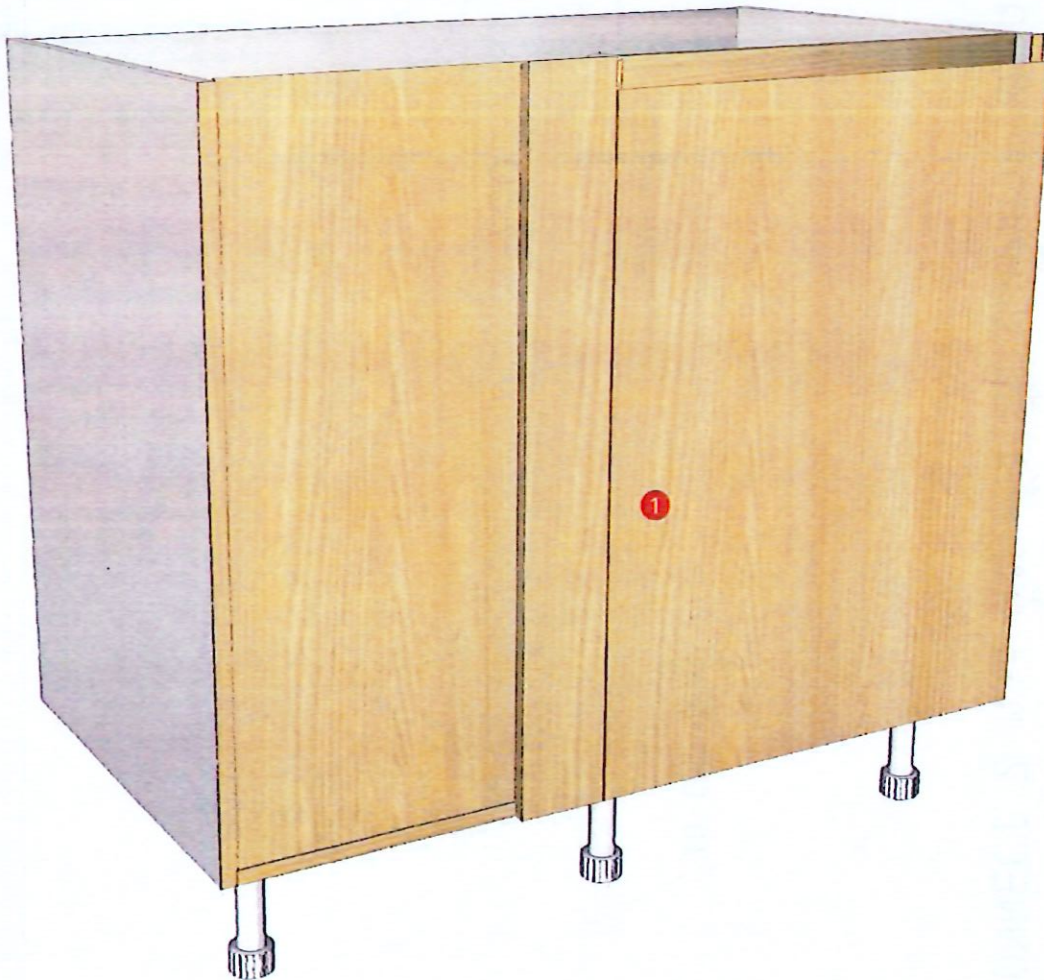
-
-
-

R&D REVIEW

- DWG.Customer
- Work Report
- Function
- สินค้าตรงตัวอย่าง

ผู้กบทรณ P.SAWAI
24, 9, 68.

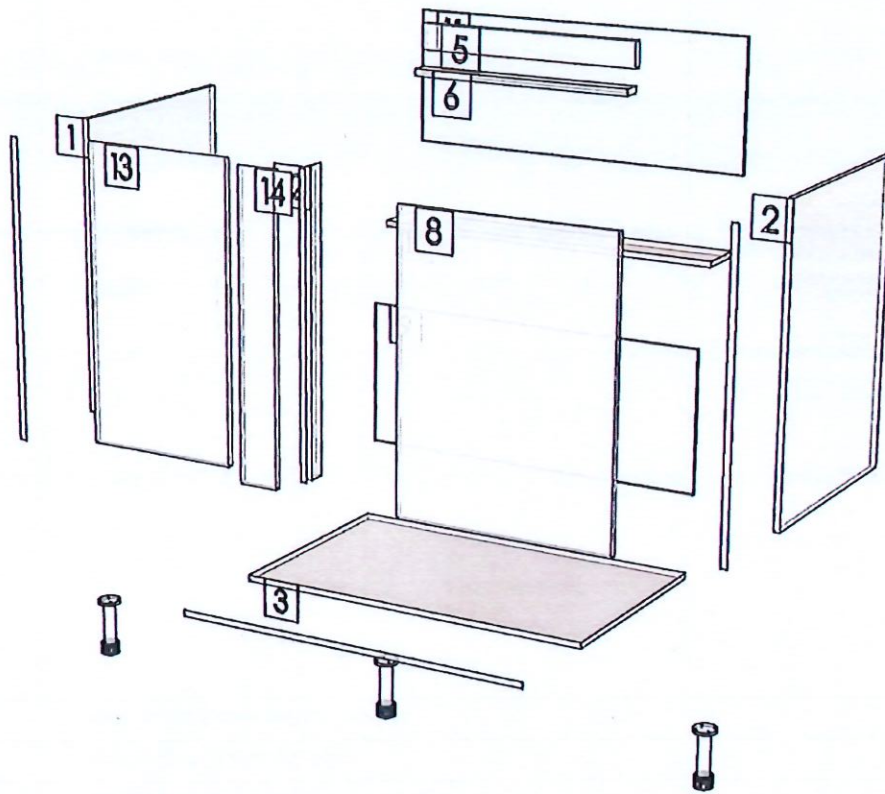
K4L-160168276



PRODUCT SIZE DRAWING :W1000 X D570 X H922

PAGE 1

Model	-ESCENT_PK2_DBSC10057L		
Creator		.BCP Name	INDEX_C3D_KITCHEN2
Reviewer		Order	I004374
Approves	P. SAWAI	Date	



Model	ESCENT_PK2_DL60HL		
Creator	PASATHORN	.BCP Name	INDEX_C3D_KITCHEN2
Reviewer		Order	I003116
Approves	<i>P. SAWAI</i>	Date	21/05/2024

ESCENT_PK2_DL60HL-600X300X600

Colour

05.30 ML WHITE SAND #VM1012/2610/2610(PEARL)_

-

-

-

K1R-160137711 _____ K2R-160137719

K3L-160169110
K4L-160168276



Edge

01.47 1 WHITE _

-

-

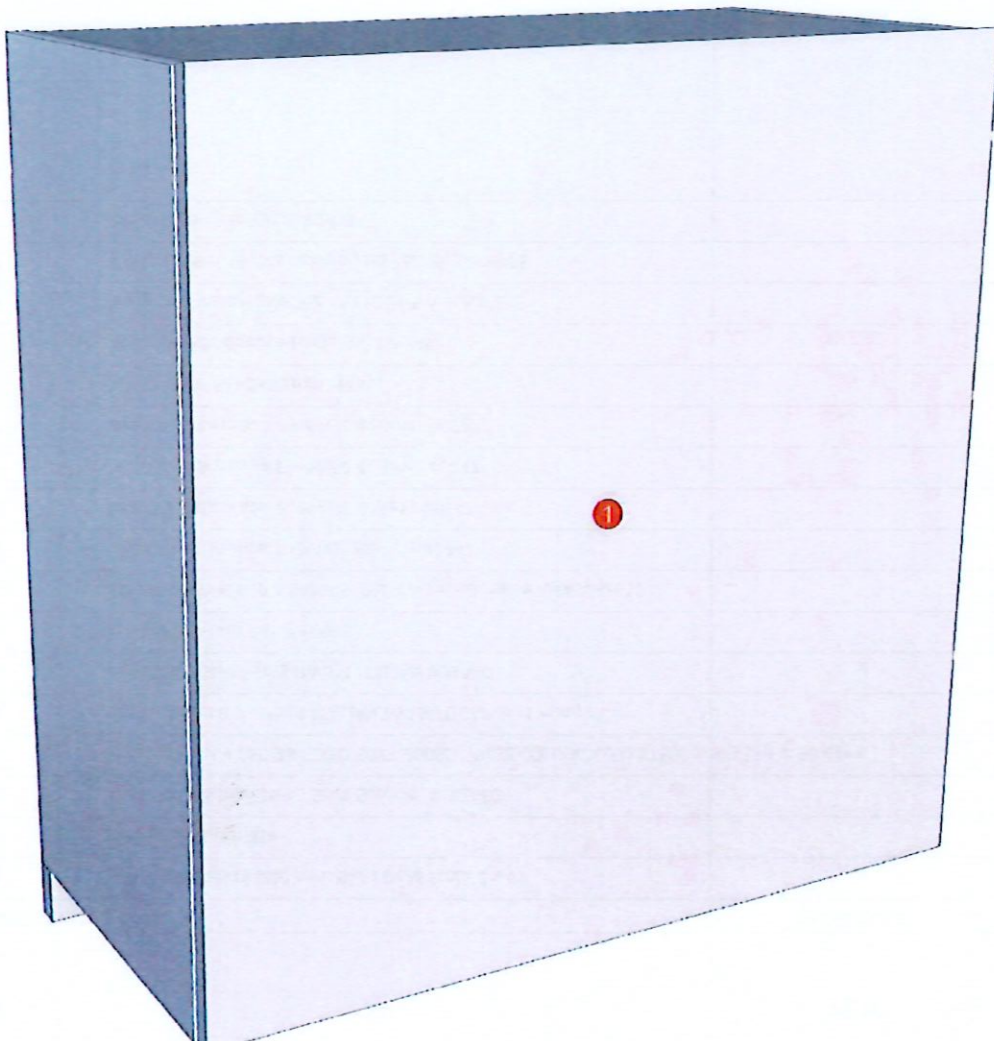
-

-

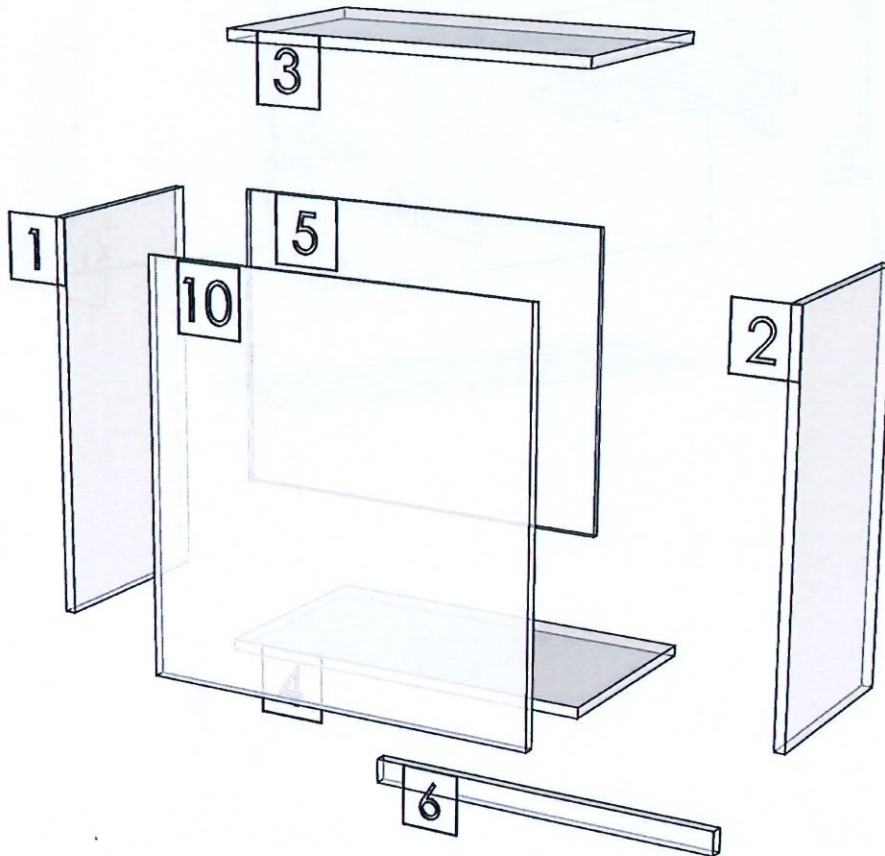
R&D REVIEW

- DWG.Customer
- Work Report
- Function
- สินค้าตรงตัวอย่าง

ผู้ควบคุม *P. SAWAI*



Model	-ESCENT_PK2_DL60HL		
Creator		.BCP Name	INDEX_C3D_KITCHEN2
Reviewer		Order	I003116
Approves	P. SAWAI	Date	



Model	ESCENT_PK2_DLC95		
Creator	PASATHORN	.BCP Name	INDEX_C3D_KITCHEN2
Reviewer		Order	I004371
Approves	P.SAWAI	Date	21/08/2025

ESCENT_PK2_DLC95-1050X300X640



Colour
05.30 ML WHITE SAND #VM1012/2610/2610(PEARL)_

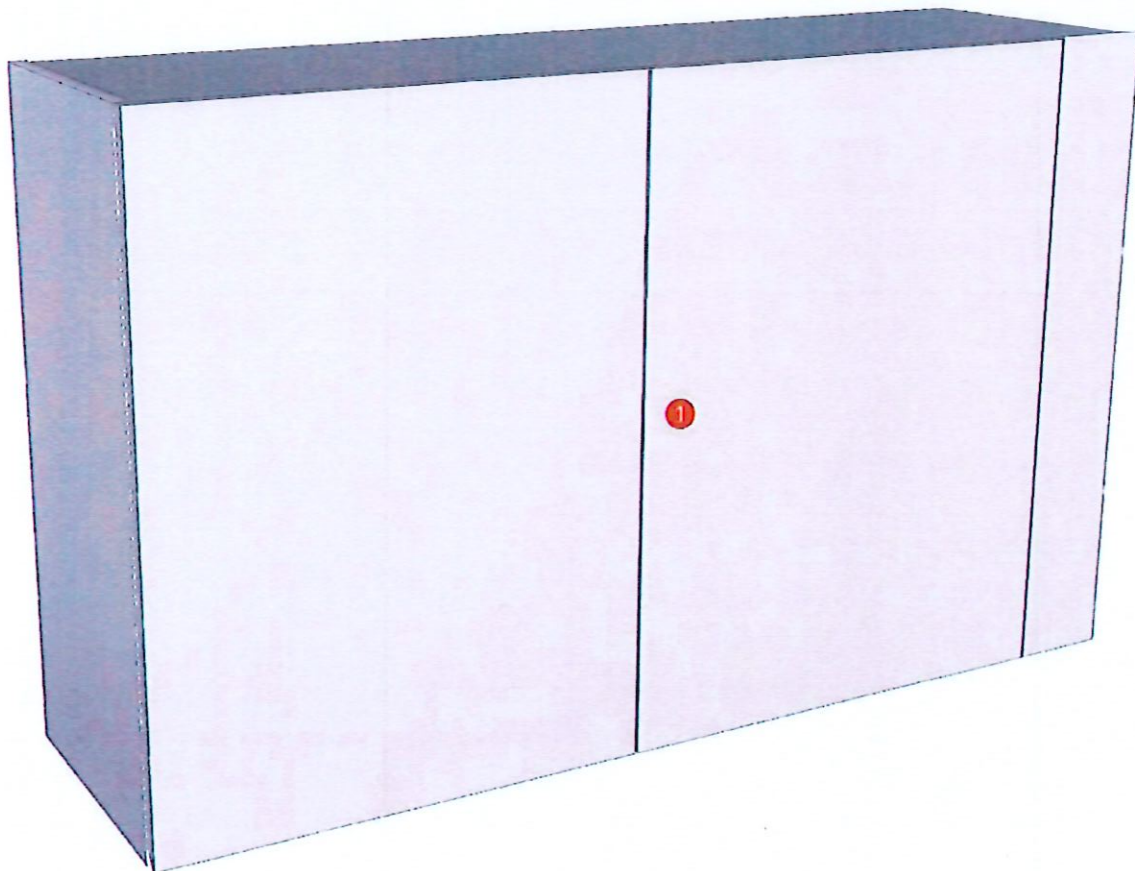
Edge
01.47 1 WHITE _

-
-
-
-

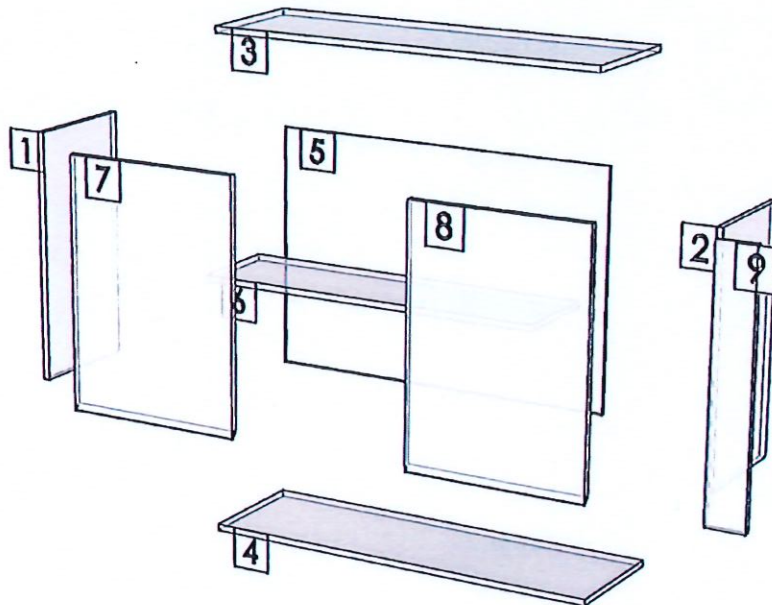
-
-
-
-

R&D REVIEW	
<input checked="" type="checkbox"/>	DWG.Customer
<input checked="" type="checkbox"/>	Work Report
<input type="checkbox"/>	Function
<input type="checkbox"/>	สินค้าตรงตัวอย่าง
ผู้ทบทวน, P.SAWAI	
17, 10, 2025	

K4L-160168276



Model	-ESCENT_PK2_DLC95		
Creator		.BCP Name	INDEX_C3D_KITCHEN2
Reviewer		Order	I004371
Approves	P.SAWAI	Date	



Model	ESCENT_PK2_DLC5025L		
Creator	PASATHORN	.BCP Name	INDEX_C3D_KITCHEN2
Reviewer		Order	I004370
Approves	<i>P.SAWWI</i>	Date	21/08/2025

ESCENT_PK2_DLC5025L-650X300X640



Colour
05.30 ML WHITE SAND #VM1012/2610/2610(PEARL)_

Edge
01.47 1 WHITE _

-
-
-
-

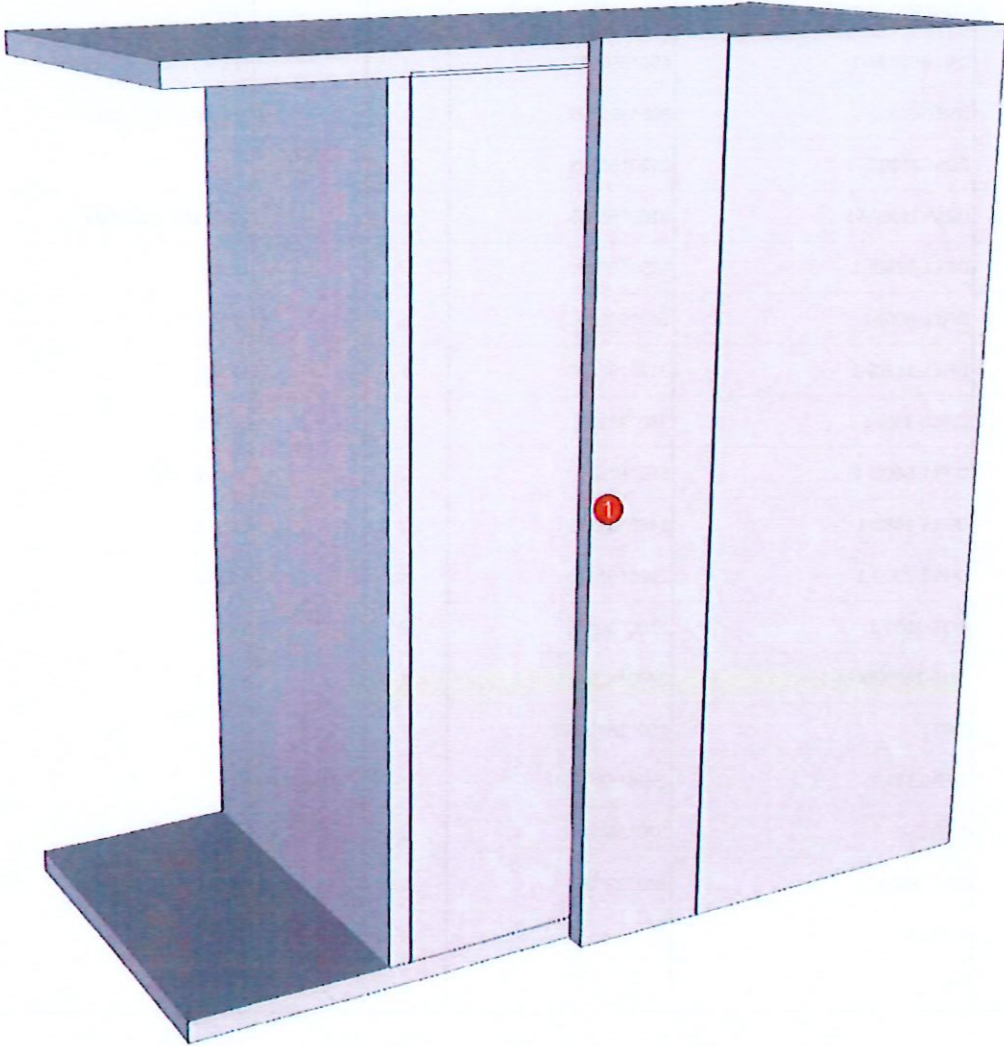
-
-
-
-

R&D REVIEW

- DWG.Customer
- Work Report
- Function
- สืบค้นวงค้วอย่าง

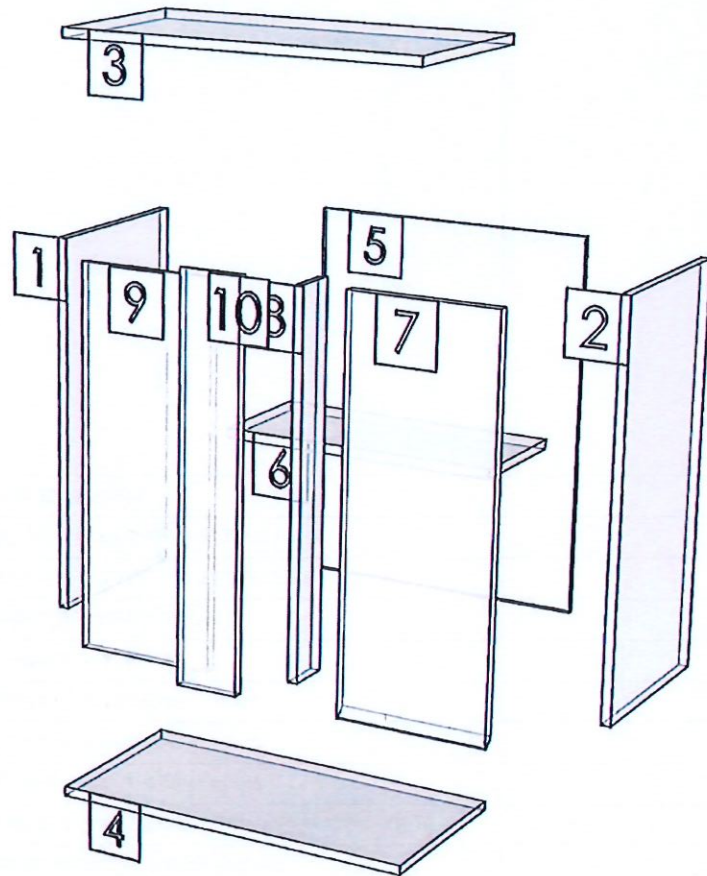
ผู้กบทวน *P.SAWWI*
17, 10, 2025

K4L-160168276



PRODUCT SIZE DRAWING :W650 X D300 X H640

Model	-ESCENT_PK2_DLC5025L		
Creator		.BCP Name	INDEX_C3D_KITCHEN2
Reviewer		Order	I004370
Approves	P. SAWM	Date	



Model	ESCENT_PK2_DLMV60R		
Creator	PASATHORN	.BCP Name	INDEX_C3D_KITCHEN2
Reviewer		Order	I003117
Approves	<i>P. SAWAI</i>	Date	21/05/2024

ESCENT_PK2_DLMV60R-600X350X800

Colour

05.30 ML WHITE SAND #VM1012/2610/2610(PEARL)_

-
-
-
-

Edge

01.47 1 WHITE _

-
-
-
-

R&D REVIEW

DWG.Customer

Work Report

Function

สินค้าตรงตัวอย่าง

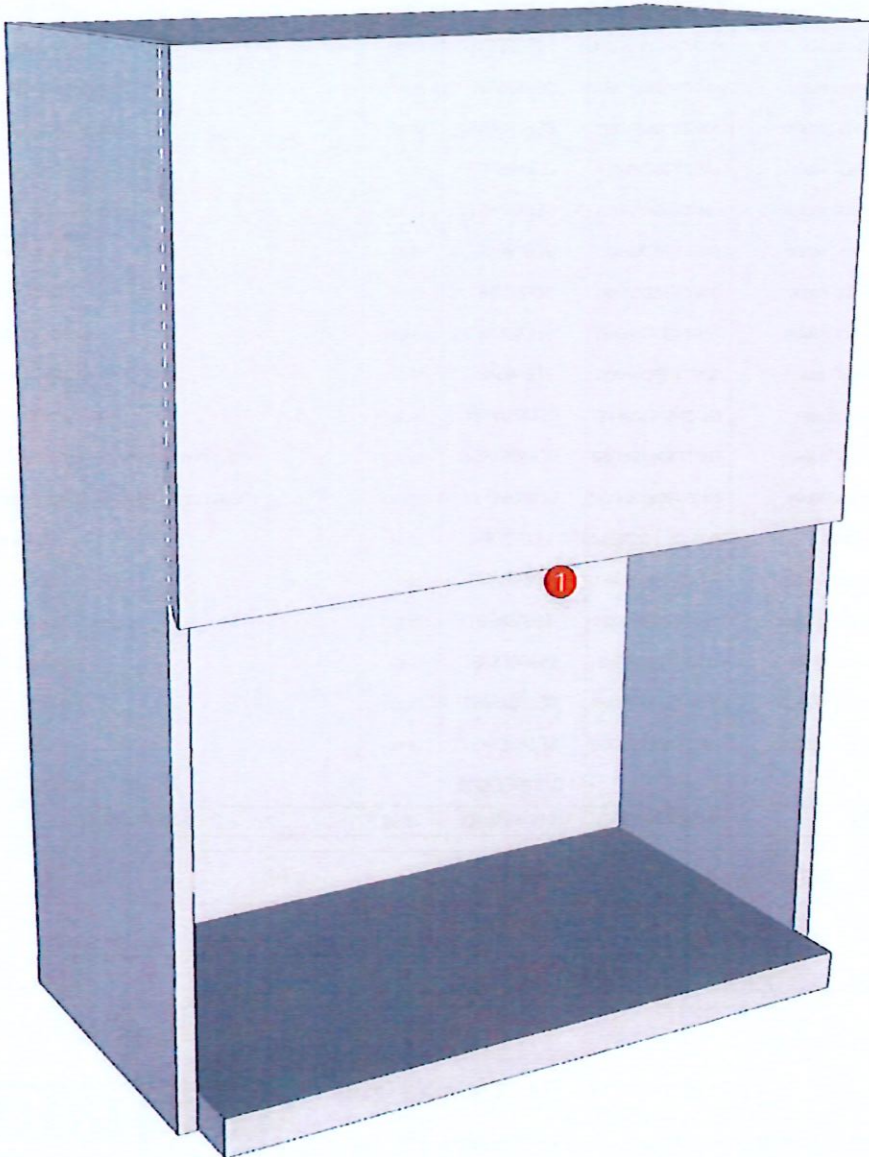
ผู้ควบคุม *P. SAWAI*

29 / 10 / 68

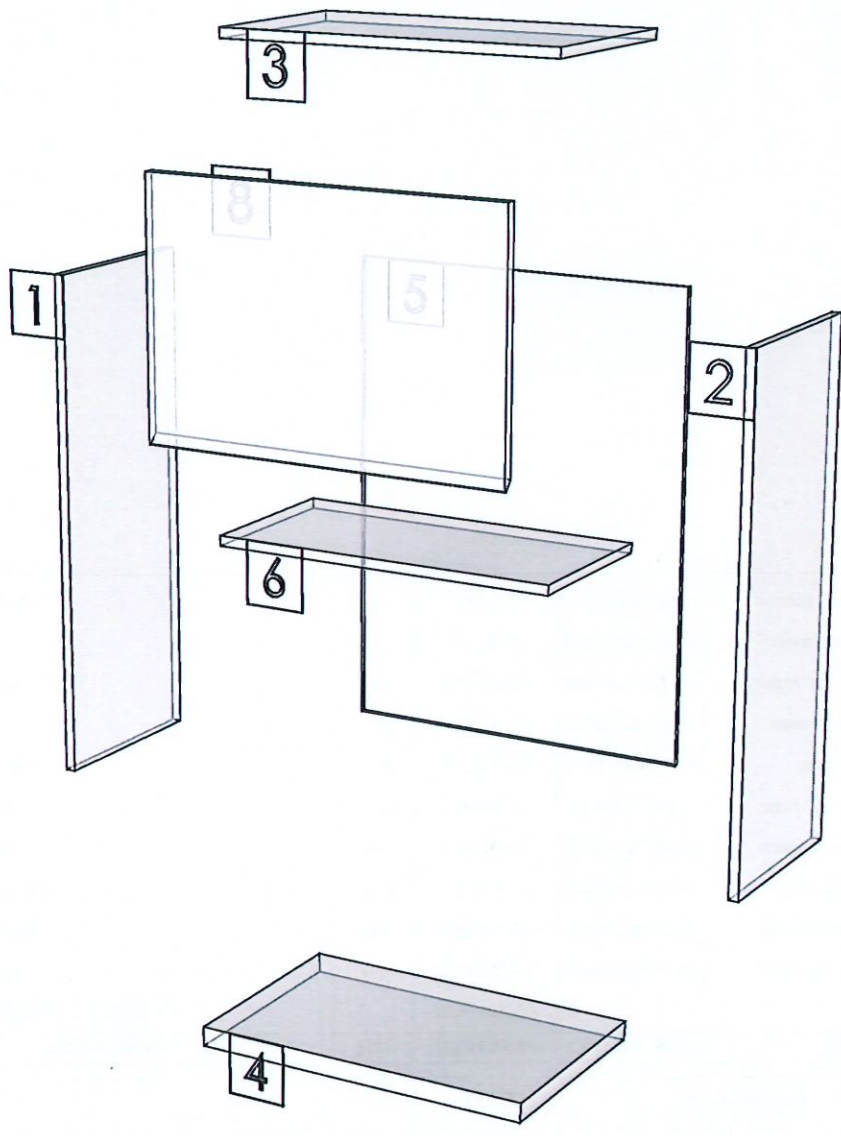
K2R-160137719

K3R-160170395_ED

K4L-160168276



Model	-ESCENT_PK2_DLMV60R		
Creator		.BCP Name	INDEX_C3D_KITCHEN2
Reviewer		Order	I003117
Approves	P.SAWAI	Date	



Model	ESCENT_PK2_DFB		
Creator	PASATHORN	.BCP Name	INDEX_C3D_KITCHEN2
Reviewer		Order	I003111
Approves	<u>P. SAWAI</u>	Date	21/05/2024

ESCENT_PK2_DFB-150X16X772

Colour

05.30 ML WHITE SAND #VM1012/2610/2610(PEARL)_

05.79 ML.NATURAL ASH (VM20682/2097/2097)_

-

-

K1L-160170387_ED

K1R-160137711

K2L-160168268

K2R-160137719

K4L-160168276

Edge

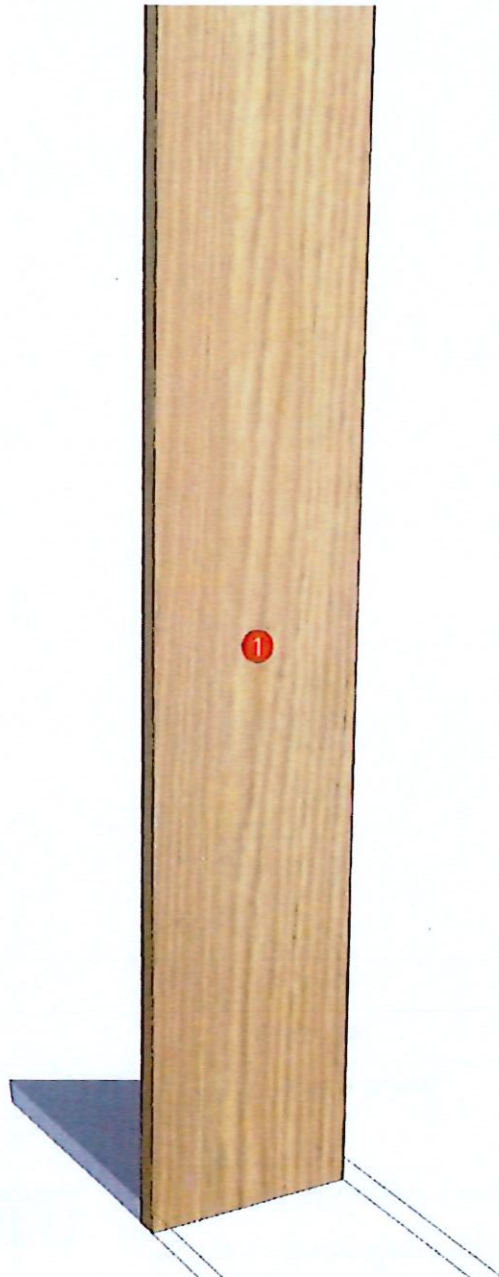
01.47 1 WHITE _

01.421 1 NATURAL ASH (DA56-11001-M0)_ED

-

-

-



R&D REVIEW

DWG.Customer

Work Report

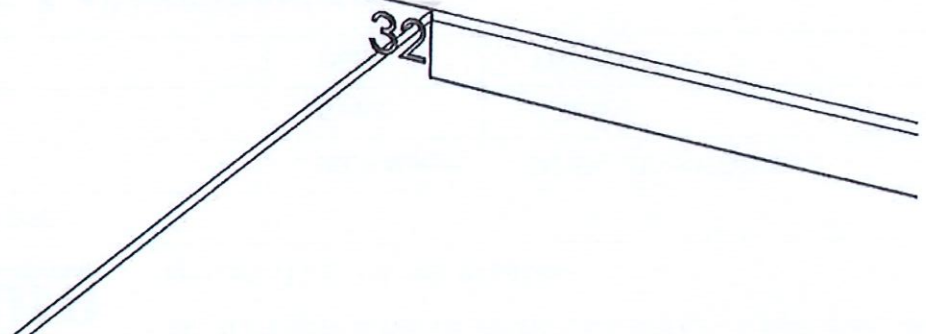
Function

สินค้าตรงตัวอย่าง

ผู้ทบทวน P. SAWAI

29 / 10 / 68

Model	-ESCENT_PK2_DFB			
Creator		.BCP Name	INDEX_C3D_KITCHEN2	
Reviewer		Order	I003111	
Approves	P.SAWAI		Date	



Model	ESCENT_PK2_DFLMV		
Creator	PASATHORN	.BCP Name	INDEX_C3D_KITCHEN2
Reviewer		Order	I003112
Approves	P. SAWAI	Date	21/05/2024

ESCENT_PK2_DFLMV-150X16X800

Colour

05.30 ML WHITE SAND #VM1012/2610/2610(PEARL)_

-

-

-

K1L-160170387_ED

K1R-160137711

K2L-160168268

K2R-160137719

K4L-160168276

Edge

01.47 1 WHITE _

-

-

-

-

R&D REVIEW

DWG.Customer

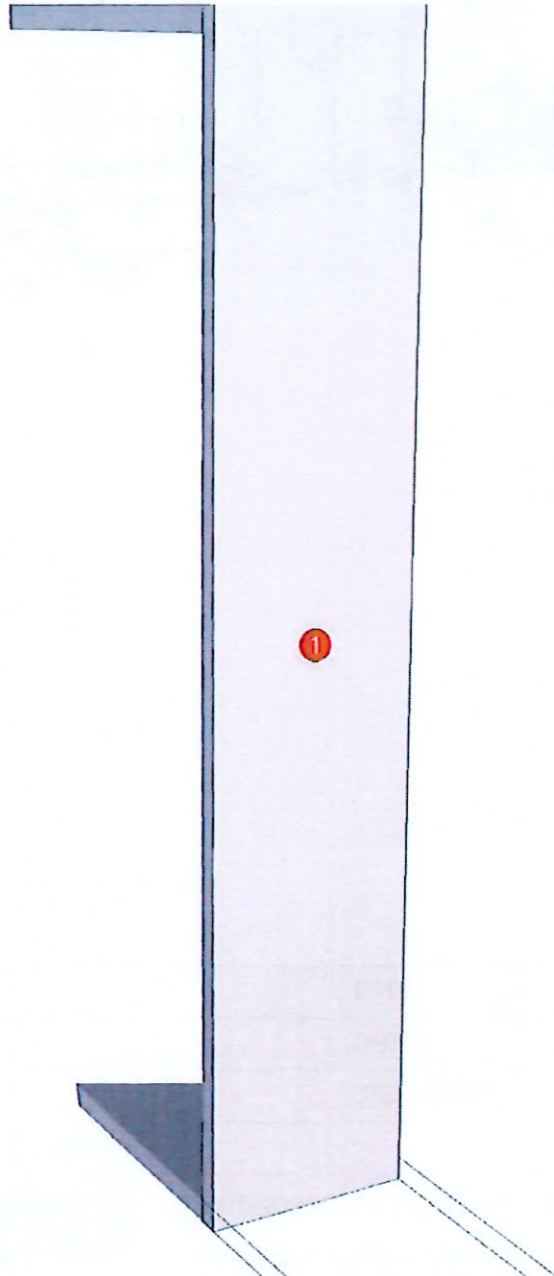
Work Report

Function

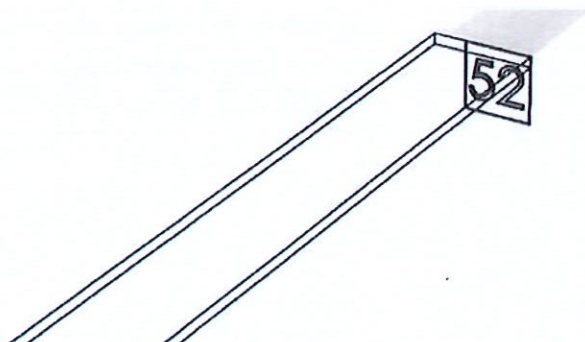
สินค้าตรงตัวอย่าง

ผู้ทบทวน P.SAWAI

29 / 10 68



Model	-ESCENT_PK2_DFLMV		
Creator		.BCP Name	INDEX_C3D_KITCHEN2
Reviewer		Order	I003112
Approves	P.SAWAI	Date	



Model	ESCENT_PK2_DF_CL1650		
Creator	PASATHORN	.BCP Name	INDEX_C3D_KITCHEN2
Reviewer		Order	I004362
Approves	P. SAWAI	Date	20/08/2025

ESCENT_PK2_DF_CL1650-1650X9X370

Colour
05.30 ML WHITE SAND #VM1012/2610/2610(PEARL)_

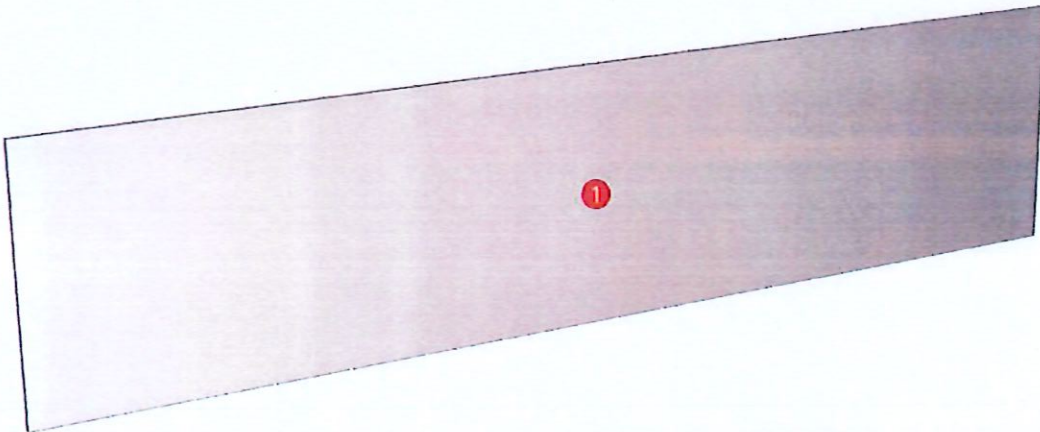
Edge
01.47 1 WHITE _

-
-
-
-

-
-
-
-

K4L-160168276

R&D REVIEW	
<input checked="" type="checkbox"/>	DWG.Customer
<input checked="" type="checkbox"/>	Work Report
<input type="checkbox"/>	Function
<input type="checkbox"/>	สินค้าตรงตัวอย่าง
ผู้กบทวน P.SAWAI	
10 / 9 / 68	



Model	ESCENT_PK2_DF_CL1050		
Creator	PASATHORN	.BCP Name	INDEX_C3D_KITCHEN2
Reviewer		Order	I004361
Approves	P. SAWAI	Date	19/08/2025

ESCENT_PK2_DF_CL1050-1050X9X370

Colour
05.30 ML WHITE SAND #VM1012/2610/2610(PEARL)_

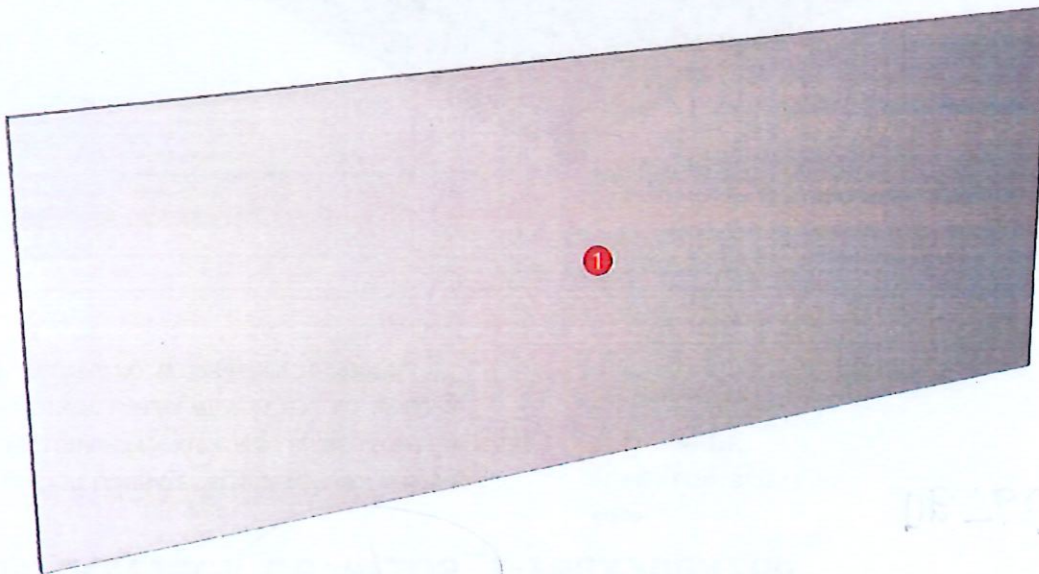
Edge
01.47 1 WHITE _

-
-
-
-

-
-
-
-

K4L-160168276

R&D REVIEW	
<input checked="" type="checkbox"/>	DWG. Customer
<input checked="" type="checkbox"/>	Work Report
<input type="checkbox"/>	Function
<input type="checkbox"/>	สินค้าตรงตัวอย่าง
ผู้ทบทวน P. SAWAI	
10 / 9 / 68	



Model	ESCENT_PK2_DUT1900		
Creator	PASATHORN	.BCP Name	INDEX_C3D_KITCHEN2
Reviewer		Order	I004360
Approves	P. SAWA	Date	19/08/2025

ESCENT_PK2_DUT1900-1900X60X9

Colour

05.01 ML WHITE VM1012 18/18_

-
-
-
-

K4L-160168276

Edge

01.47 1 WHITE _

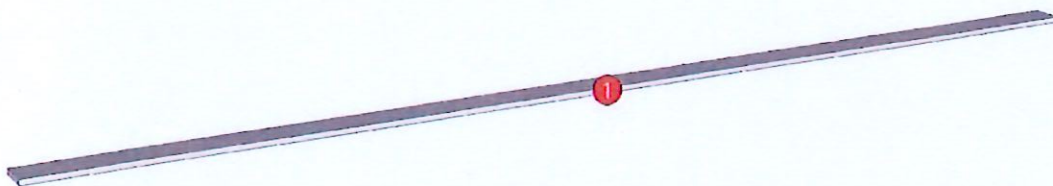
-
-
-
-

R&D REVIEW

- DWG.Customer
- Work Report
- Function
- สินค้าตรงตัวอย่าง

ผู้ทบทวน P. SAWA

10 / 09 / 68



Model	ESCENT_PK2_DUT700		
Creator	PASATHORN	.BCP Name	INDEX_C3D_KITCHEN2
Reviewer		Order	I004359
Approves	<i>P. SAWA</i>	Date	19/08/2025

ESCENT_PK2_DUT700-700X60X9

Colour

05.01 ML WHITE VM1012 18/18_

-
-
-
-

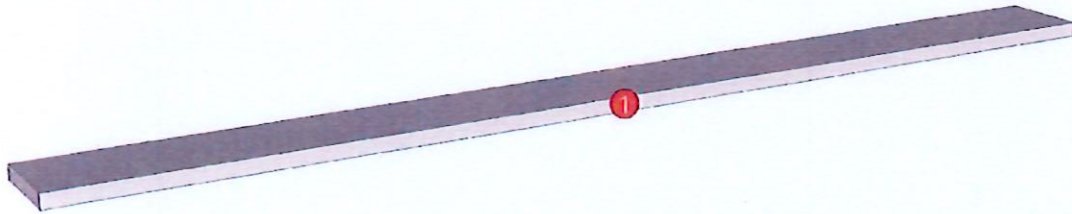
Edge

01.47 1 WHITE_

-
-
-
-

K4L-160168276

R&D REVIEW	
<input checked="" type="checkbox"/>	DWG.Customer
<input checked="" type="checkbox"/>	Work Report
<input type="checkbox"/>	Function
<input type="checkbox"/>	สินค้าตรงตัวอย่าง
ผู้ทบทวน <i>P. SAWA</i>	
10 / 09 / 68	



Model	ESCENT_PK2_DUT500		
Creator	PASATHORN	.BCP Name	INDEX_C3D_KITCHEN2
Reviewer		Order	I003107
Approves	<u>P. SAWAI</u>	Date	21/05/2024

ESCENT_PK2_DUT500-500X60X9

Colour

05.01 ML WHITE VM1012 18/18_

-

-

K1L-160170387_ED



K1R-160137711

K2L-160168268

K2R-160137719

K3L-160169110



K3R-160170395_ED

K4L-160168276

Edge

01.47 1 WHITE _

-

-

-

-

R&D REVIEW

DWG.Customer

Work Report

Function

สินค้าตรงตัวอย่าง

ผู้ควบคุม P. SAWAI

29 / 10 / 68

