

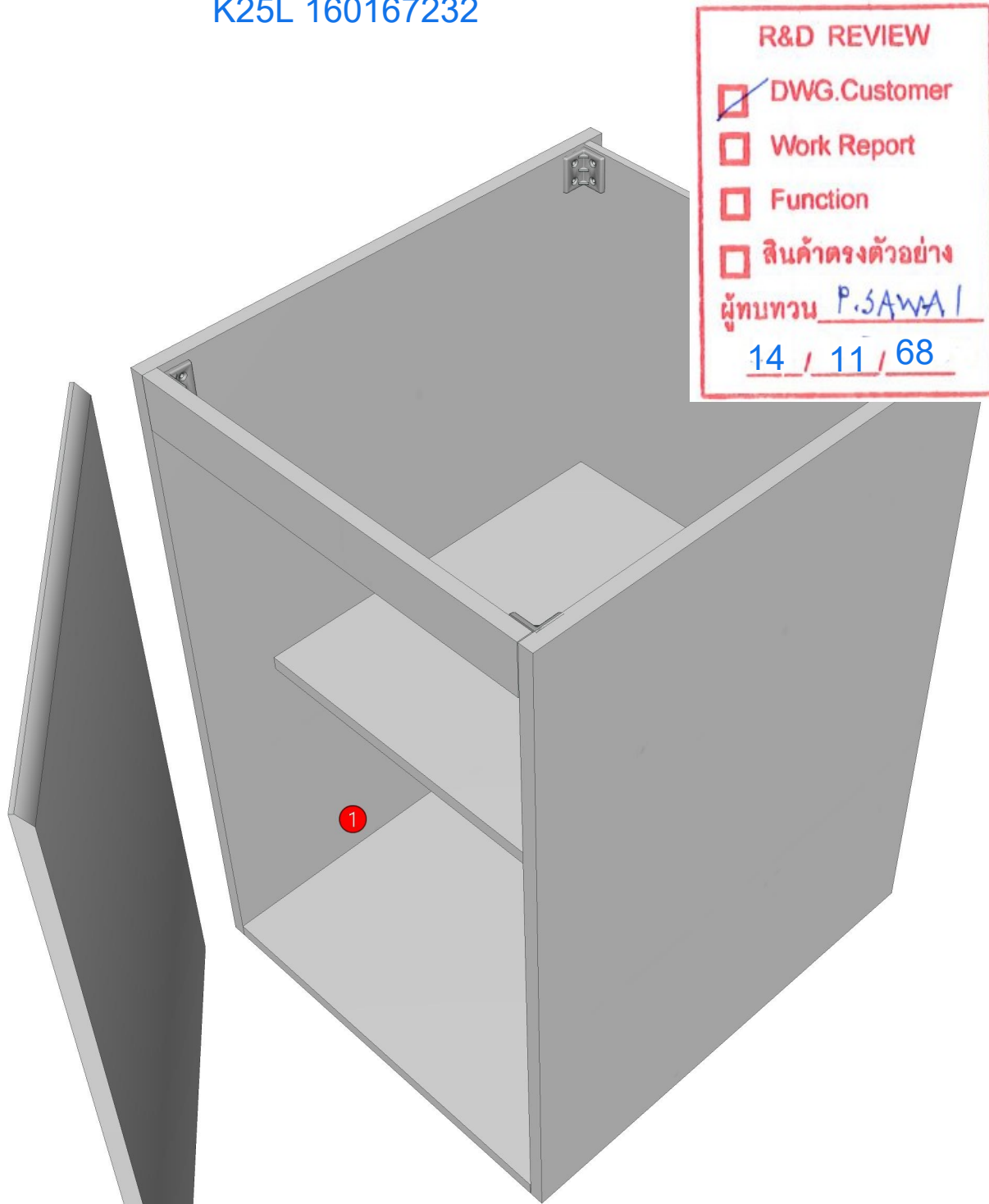
Model	ROMM_DB50L		
Creator	SUTTHI.P	.BCP Name	INDEX_C3D_KITCHENPAE
Reviewer		Order	O002952
Approves	<i>P.SAWA</i>	Date	28/10/2025

ROMM_DB50L-500X570X788

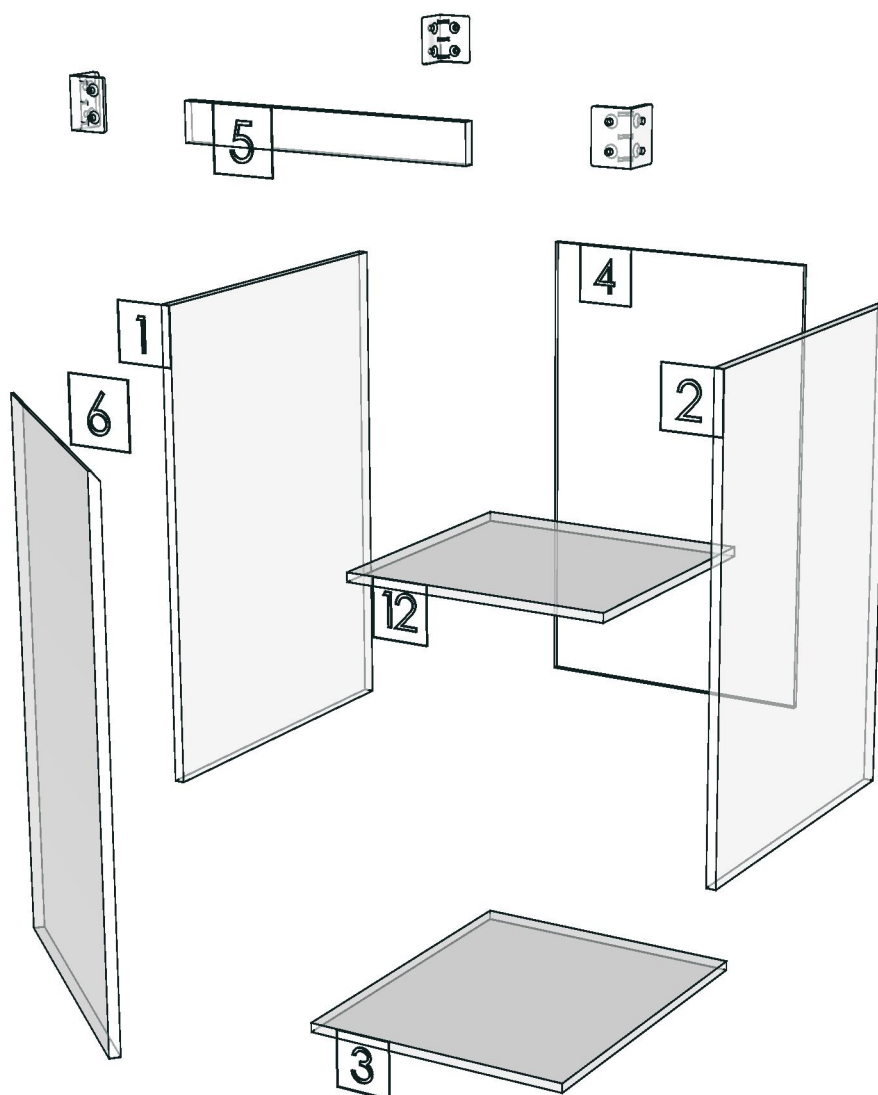
Colour
05.01=ML WHITE VM1012 18/18

Edge
01.47=1 WHITE

K25L 160167232



Model	-ROMM_DB50L		
Creator	SUTTHI.P	.BCP Name	INDEX_C3D_KITCHENPAE
Reviewer		Order	O002952
Approves	<i>P. SAWA</i>	Date	28/10/2025



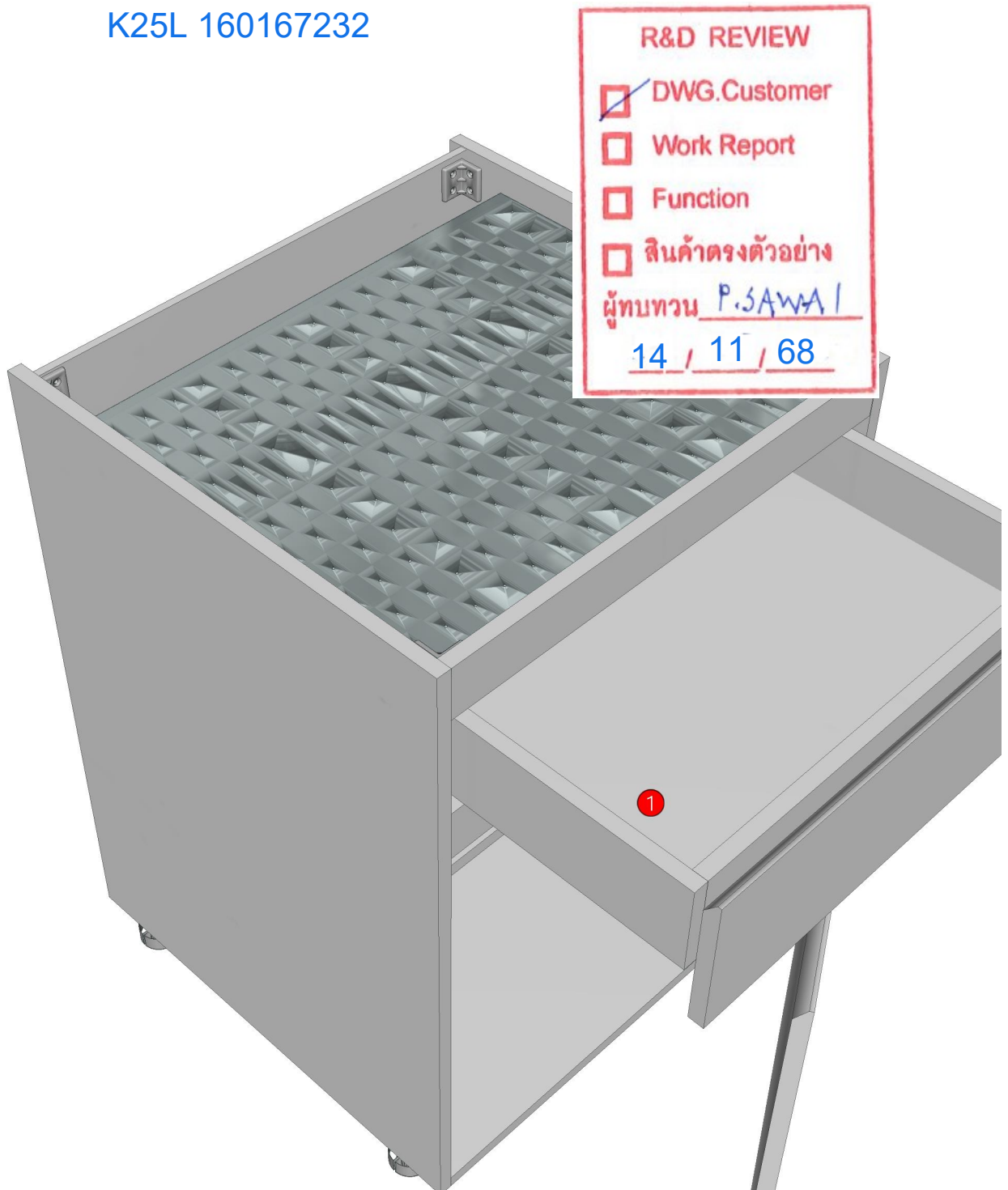
Model	ROMM_DBH601R		
Creator	SUTTHI.P	.BCP Name	INDEX_C3D_KITCHENPAE
Reviewer		Order	O002953
Approves	P.SAWA	Date	28/10/2025

ROMM_DBH601R-600X570X788

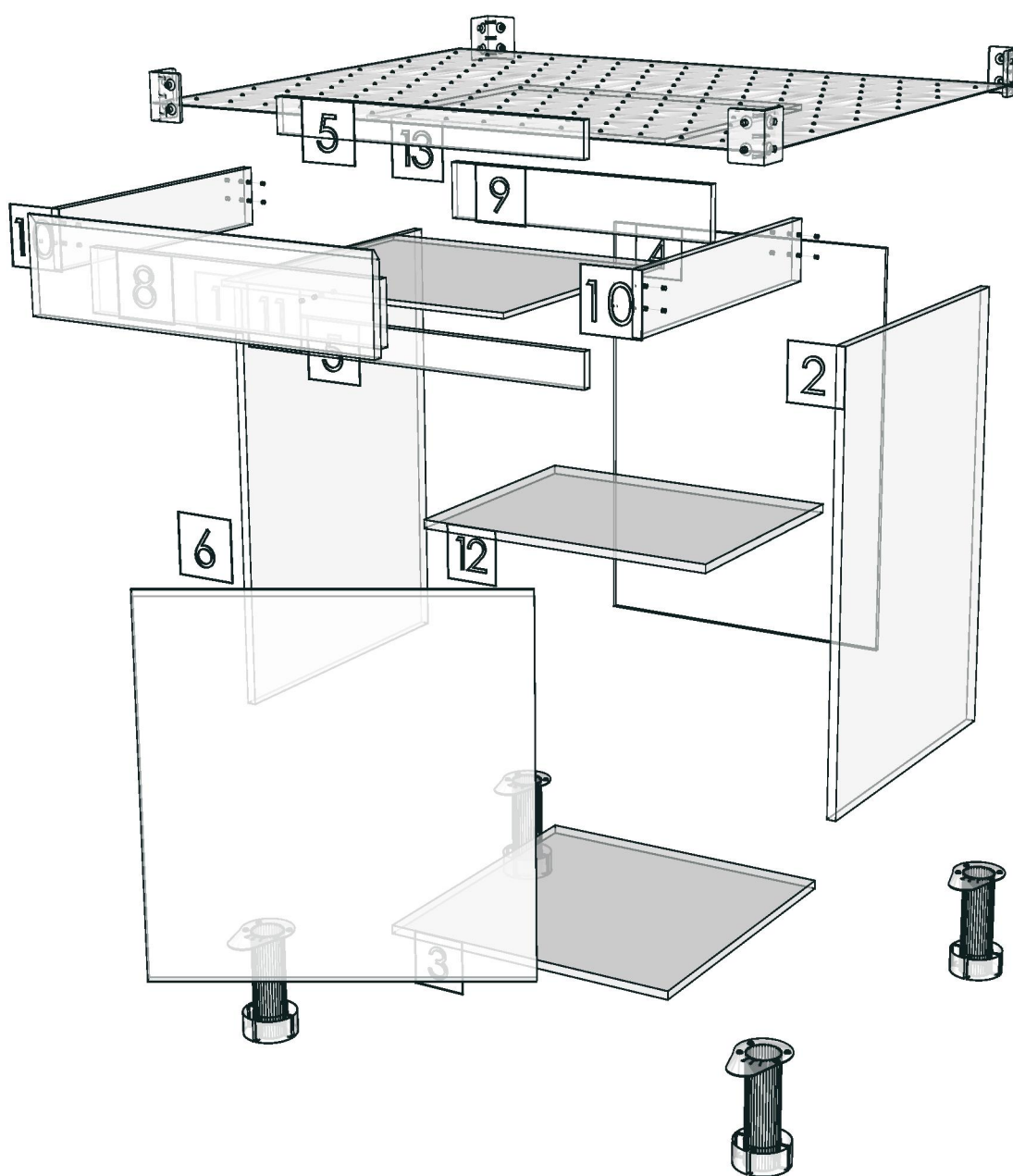
Colour
05.01=ML WHITE VM1012 18/18

Edge
01.47=1 WHITE

K25L 160167232



Model	-ROMM_DBH601R		
Creator	SUTTHI.P	.BCP Name	INDEX_C3D_KITCHENPAE
Reviewer		Order	0002953
Approves	<i>P. SAWA</i>	Date	28/10/2025



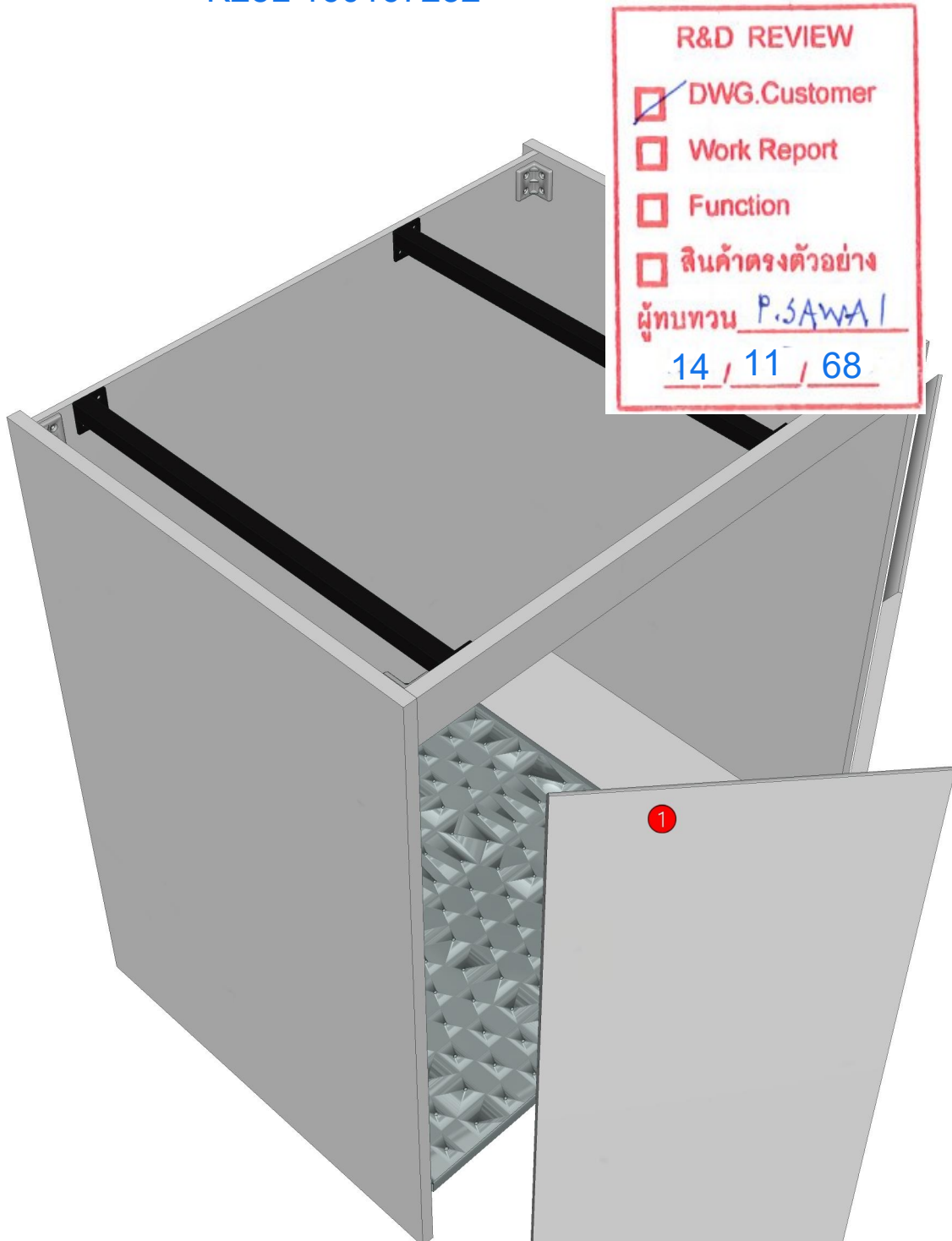
Model	ROMM_DBS75L		
Creator	SUTTHI.P	.BCP Name	INDEX_C3D_KITCHENPAE
Reviewer		Order	O002958
Approves	P.SAWA	Date	28/10/2025

ROMM_DBS75L-750X570X888

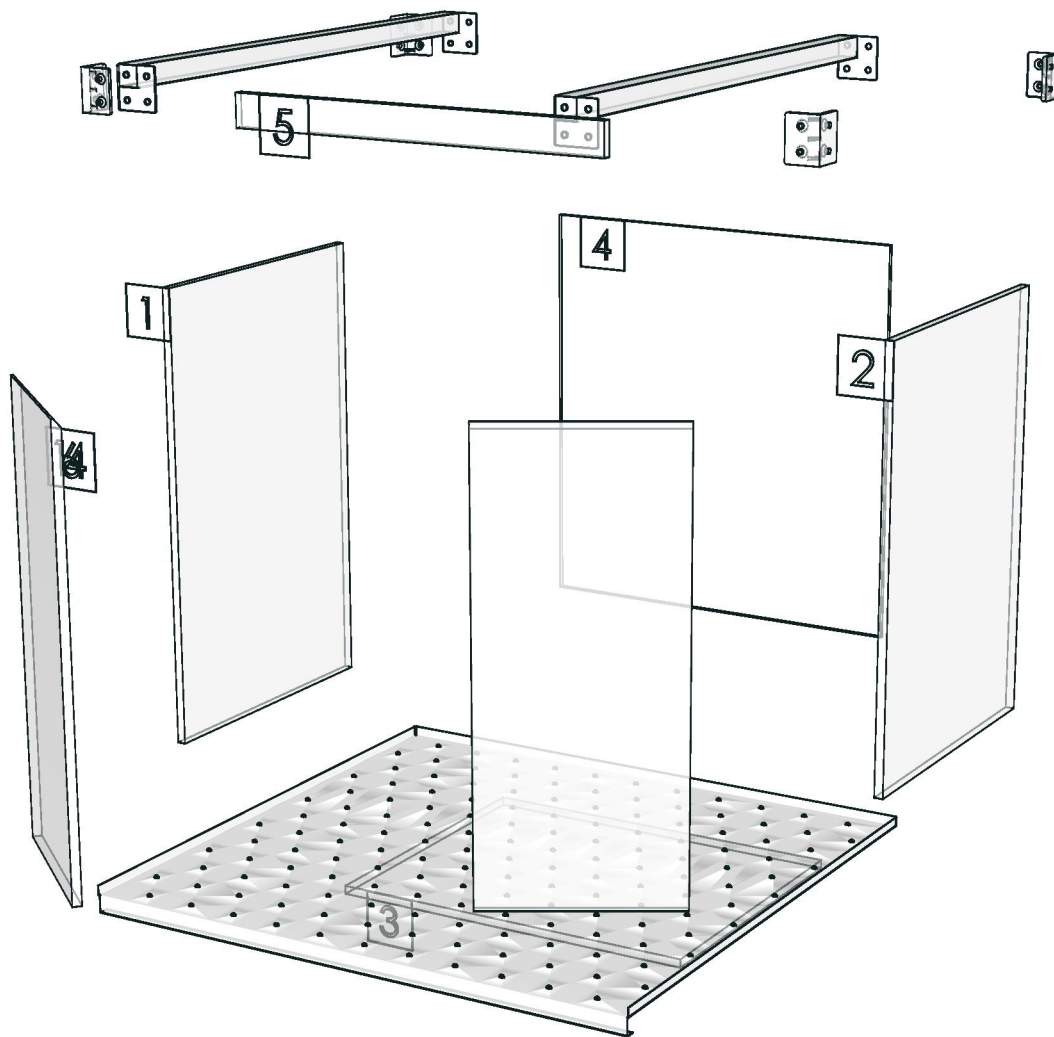
Colour
05.01=ML WHITE VM1012 18/18

Edge
01.47=1 WHITE

K25L 160167232



Model	-ROMM_DBS75L		
Creator	SUTTHI.P	.BCP Name	INDEX_C3D_KITCHENPAE
Reviewer		Order	0002958
Approves	<i>P. SAWA</i>	Date	28/10/2025



Model	ROMM_DFBS		
Creator	SUTTHI.P	.BCP Name	INDEX_C3D_KITCHENPAE
Reviewer		Order	O002972
Approves	P.SAWA	Date	30/10/2025

ROMM_DFBS-150X200X888

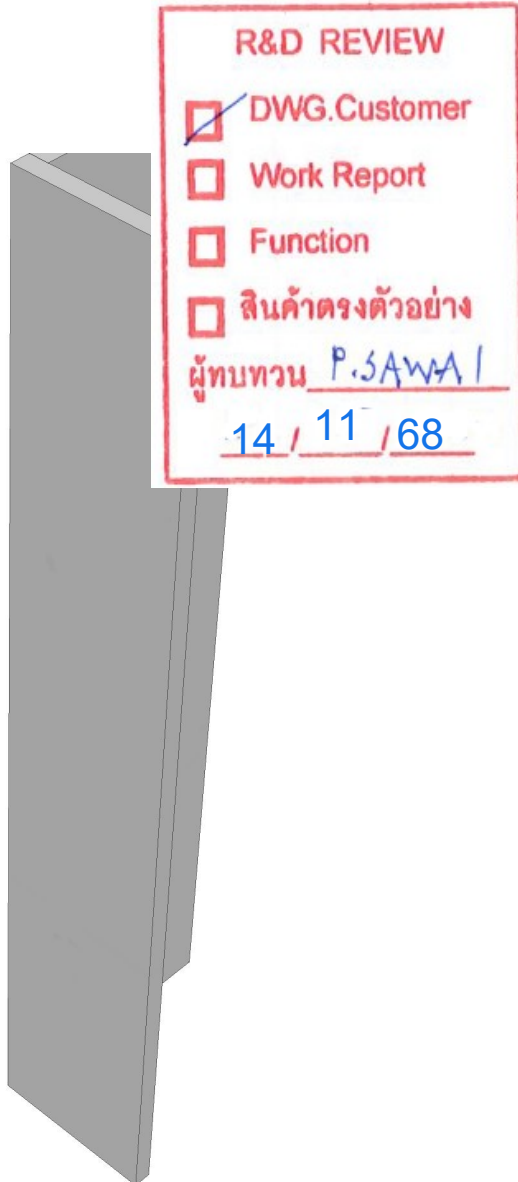
Colour

05.01=ML WHITE VM1012 18/18

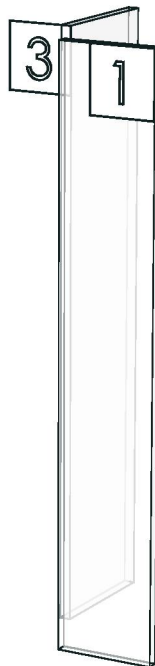
Edge

01.47=1 WHITE

K25L 160167232



Model	-ROMM_DFBS		
Creator	SUTTHI.P	.BCP Name	INDEX_C3D_KITCHENPAE
Reviewer		Order	0002972
Approves	P. SAWA	Date	30/10/2025



Model	ROMM_DFB		
Creator	SUTTHI.P	.BCP Name	INDEX_C3D_KITCHENPAE
Reviewer		Order	O002971
Approves	<i>P.SAWA</i>	Date	29/10/2025

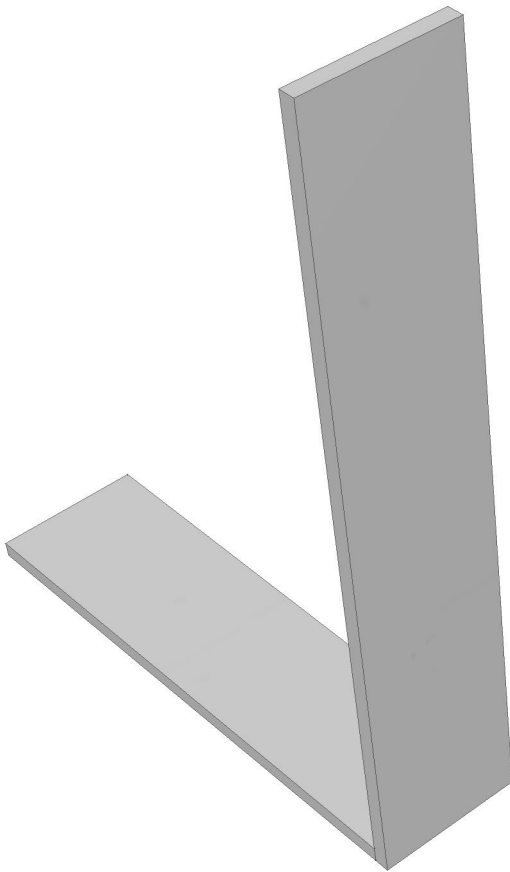
ROMM_DFB-150X570X788

Colour
05.01=ML WHITE VM1012 18/18

Edge
01.47=1 WHITE

K21R 160167176

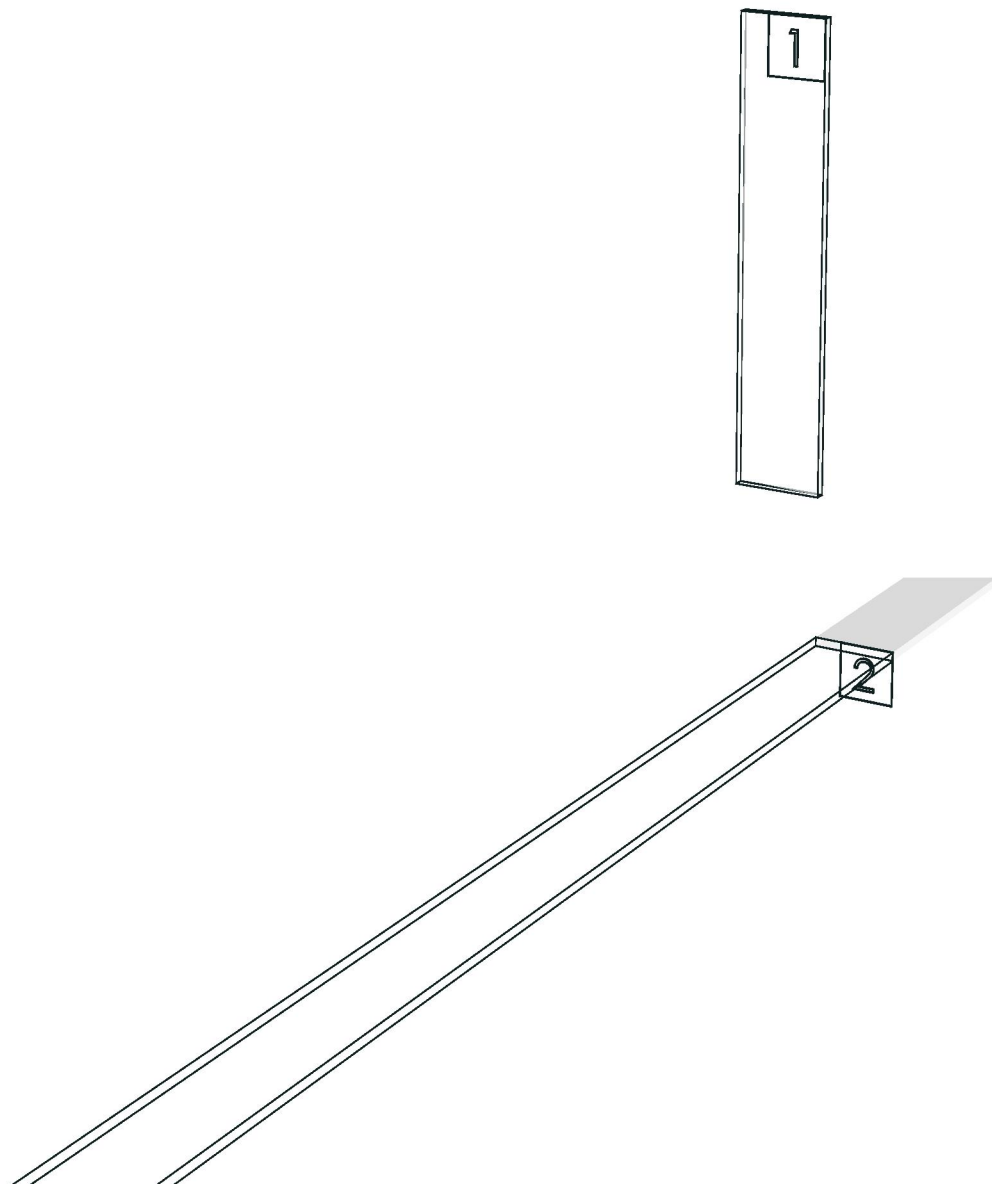
K25L 160167232



R&D REVIEW	
<input checked="" type="checkbox"/>	DWG.Customer
<input type="checkbox"/>	Work Report
<input type="checkbox"/>	Function
<input type="checkbox"/>	สินค้าตรงตัวอย่าง
ผู้ทบทวน <u>P.SAWA</u>	
<u>14</u> / <u>11</u> / <u>68</u>	

1

Model	-ROMM_DFB		
Creator	SUTTHI.P	.BCP Name	INDEX_C3D_KITCHENPAE
Reviewer		Order	0002971
Approves	<i>P. SAWA</i>	Date	29/10/2025



Model	ROMM_DFCL_1350		
Creator	SUTTHI.P	.BCP Name	INDEX_C3D_KITCHENPAE
Reviewer		Order	0002973
Approves	P. SAWA	Date	30/10/2025

ROMM_DFCL_1350-1350X9X100

Colour

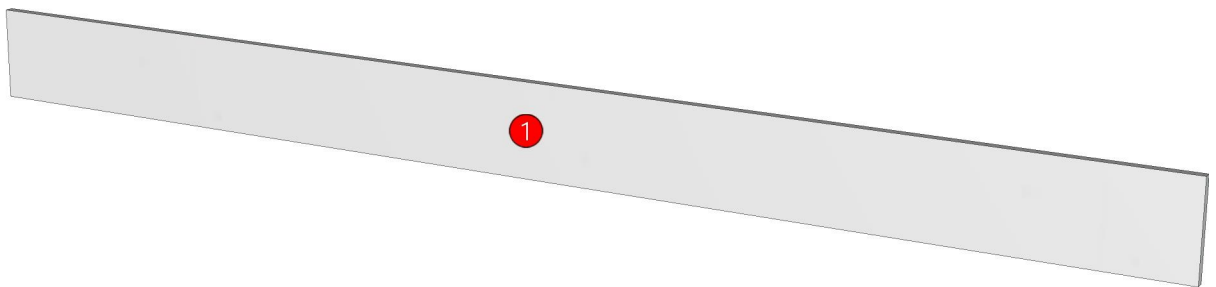
05.01=ML WHITE VM1012 18/18

Edge

01.47=1 WHITE

K25L 160167232

R&D REVIEW	
<input checked="" type="checkbox"/>	DWG.Customer
<input type="checkbox"/>	Work Report
<input type="checkbox"/>	Function
<input type="checkbox"/>	สินค้าตรงตัวอย่าง
ผู้ทบทวน <u>P.SAWA</u>	
<u>14 / 11 / 68</u>	



Model	-ROMM_DFCL_1350		
Creator	SUTTHI.P	.BCP Name	INDEX_C3D_KITCHENPAE
Reviewer		Order	0002973
Approves	<i>P. SAWA</i>	Date	30/10/2025



Model	ROMM_DFCL_350		
Creator	SUTTHI.P	.BCP Name	INDEX_C3D_KITCHENPAE
Reviewer		Order	O002976
Approves	P.SAWA	Date	30/10/2025

ROMM_DFCL_350-350X9X100

Colour

05.01=ML WHITE VM1012 18/18

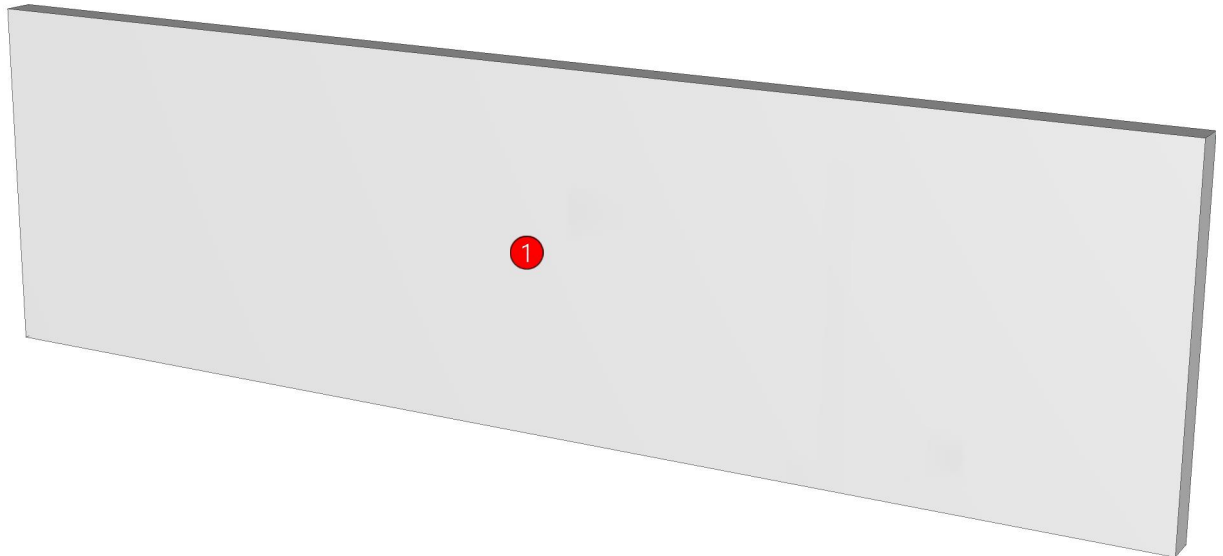
Edge

01.47=1 WHITE

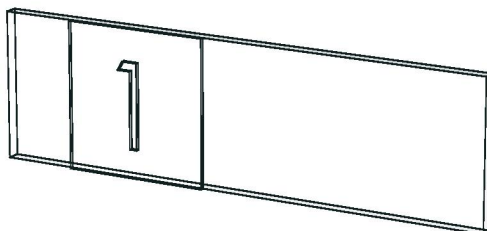
K23R 160167221

K25L 160167232

R&D REVIEW	
<input checked="" type="checkbox"/>	DWG.Customer
<input type="checkbox"/>	Work Report
<input type="checkbox"/>	Function
<input type="checkbox"/>	สินค้าตรงตัวอย่าง
ผู้ทบทวน <u>P.SAWA</u>	
<u>14 / 11 / 68</u>	



Model	-ROMM_DFCL_350		
Creator	SUTTHI.P	.BCP Name	INDEX_C3D_KITCHENPAE
Reviewer		Order	0002976
Approves	P. SAWA	Date	30/10/2025



Model	ROMM_DFCL_500		
Creator	SUTTHI.P	.BCP Name	INDEX_C3D_KITCHENPAE
Reviewer		Order	O002977
Approves	P.SAWA	Date	30/10/2025

ROMM_DFCL_500-500X9X100

Colour

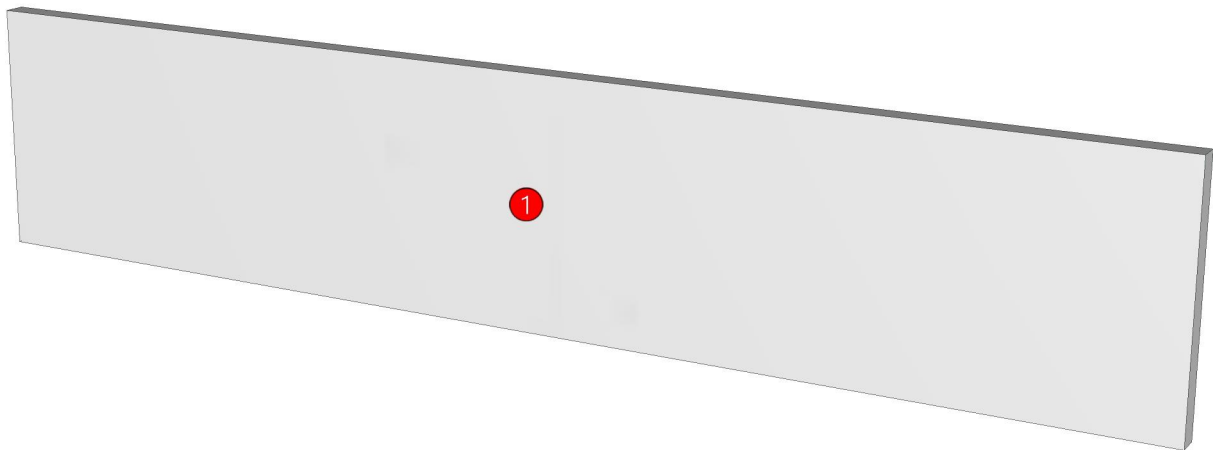
05.01=ML WHITE VM1012 18/18

Edge

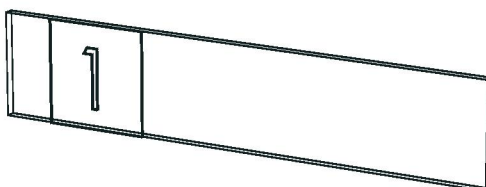
01.47=1 WHITE

K25L 160167232

R&D REVIEW	
<input checked="" type="checkbox"/>	DWG.Customer
<input type="checkbox"/>	Work Report
<input type="checkbox"/>	Function
<input type="checkbox"/>	สินค้าตรงตัวอย่าง
ผู้ทบทวน <u>P.SAWA</u>	
<u>14 / 11 / 68</u>	



Model	-ROMM_DFCL_500		
Creator	SUTTHI.P	.BCP Name	INDEX_C3D_KITCHENPAE
Reviewer		Order	0002977
Approves	P. SAWA	Date	30/10/2025



Model	ROMM_DFCL_700		
Creator	SUTTHI.P	.BCP Name	INDEX_C3D_KITCHENPAE
Reviewer		Order	0002979
Approves	P.SAWA	Date	30/10/2025

ROMM_DFCL_700-700X9X100

Colour

05.01=ML WHITE VM1012 18/18

Edge

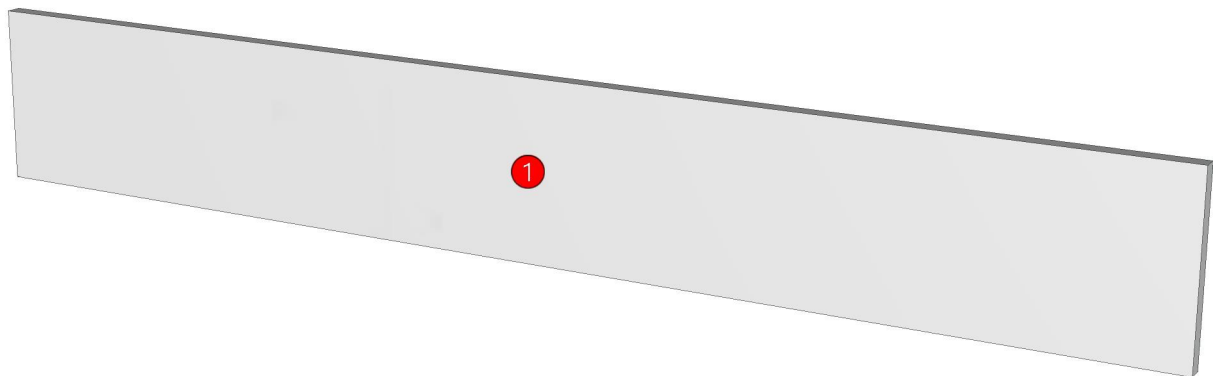
01.47=1 WHITE

K21R 160167176

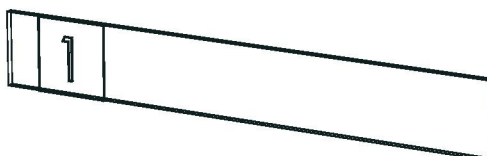
K23R 160167221

K25L 160167232

R&D REVIEW	
<input checked="" type="checkbox"/>	DWG.Customer
<input type="checkbox"/>	Work Report
<input type="checkbox"/>	Function
<input type="checkbox"/>	สินค้าตรงตัวอย่าง
ผู้ทบทวน P.SAWA /	
14 / 11 / 68	



Model	-ROMM_DFCL_700		
Creator	SUTTHI.P	.BCP Name	INDEX_C3D_KITCHENPAE
Reviewer		Order	0002979
Approves	P. SAWA	Date	30/10/2025



Model	ROMM_DFCL_750		
Creator	SUTTHI.P	.BCP Name	INDEX_C3D_KITCHENPAE
Reviewer		Order	O002980
Approves	P.SAWA	Date	30/10/2025

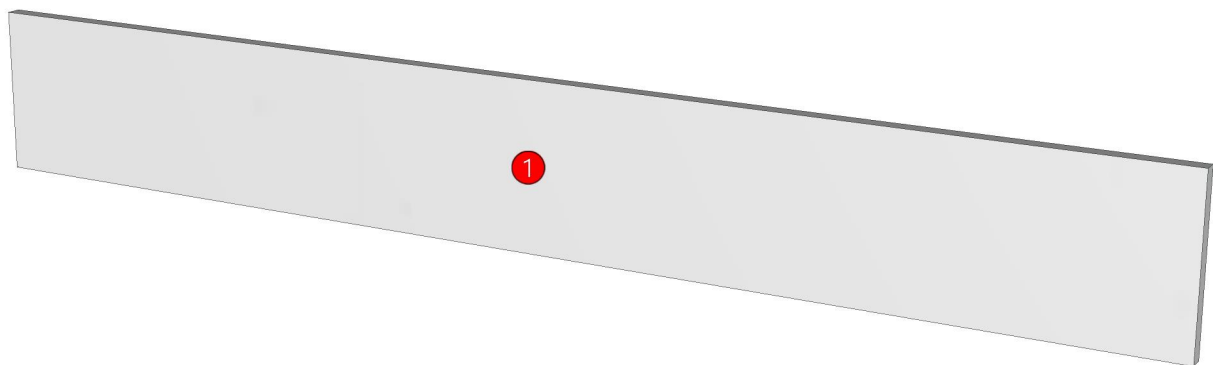
ROMM_DFCL_750-750X9X100

Colour
05.01=ML WHITE VM1012 18/18

Edge
01.47=1 WHITE

K25L 160167232

R&D REVIEW	
<input checked="" type="checkbox"/>	DWG.Customer
<input type="checkbox"/>	Work Report
<input type="checkbox"/>	Function
<input type="checkbox"/>	สินค้าตรงตัวอย่าง
ผู้ทบทวน <u>P.SAWA</u>	
<u>14</u> / <u>11</u> / <u>68</u>	



Model	-ROMM_DFCL_750		
Creator	SUTTHI.P	.BCP Name	INDEX_C3D_KITCHENPAE
Reviewer		Order	0002980
Approves	P. SAWA	Date	30/10/2025



Model	ROMM_DFL		
Creator	SUTTHI.P	.BCP Name	INDEX_C3D_KITCHENPAE
Reviewer		Order	O002982
Approves	P.SAWA	Date	30/10/2025

ROMM_DFL-150X16X1150

Colour

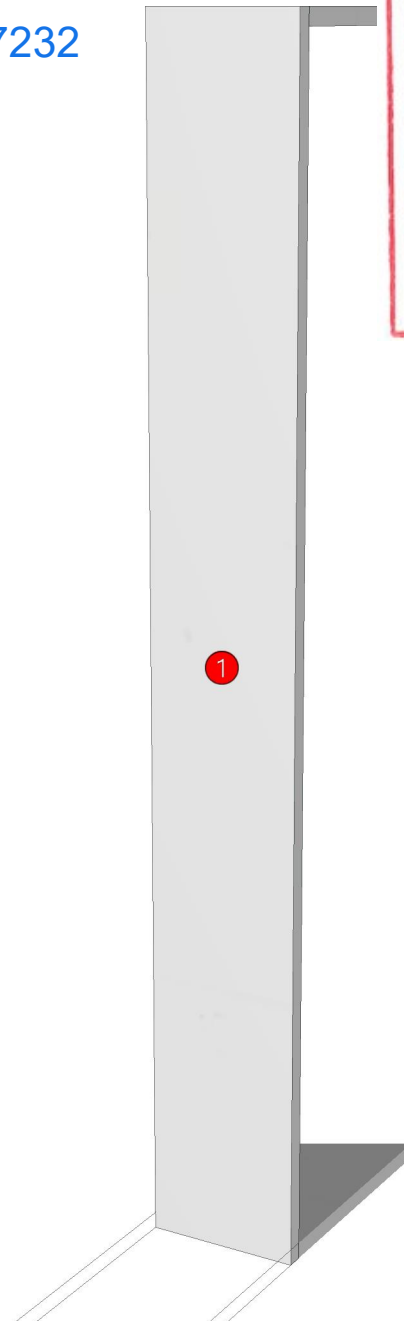
05.01=ML WHITE VM1012 18/18

Edge

01.47=1 WHITE

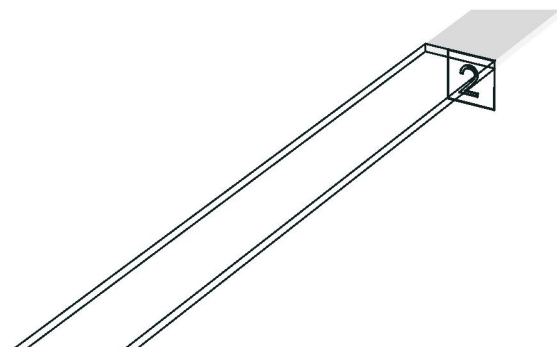
K21R 160167176

K25L 160167232



R&D REVIEW	
<input checked="" type="checkbox"/>	DWG.Customer
<input type="checkbox"/>	Work Report
<input type="checkbox"/>	Function
<input type="checkbox"/>	สินค้าตรงตัวอย่าง
ผู้ทบทวน <u>P.SAWA</u>	
<u>14</u> / <u>11</u> / <u>68</u>	

Model	-ROMM_DFL		
Creator	SUTTHI.P	.BCP Name	INDEX_C3D_KITCHENPAE
Reviewer		Order	0002982
Approves	P. SAWA	Date	30/10/2025



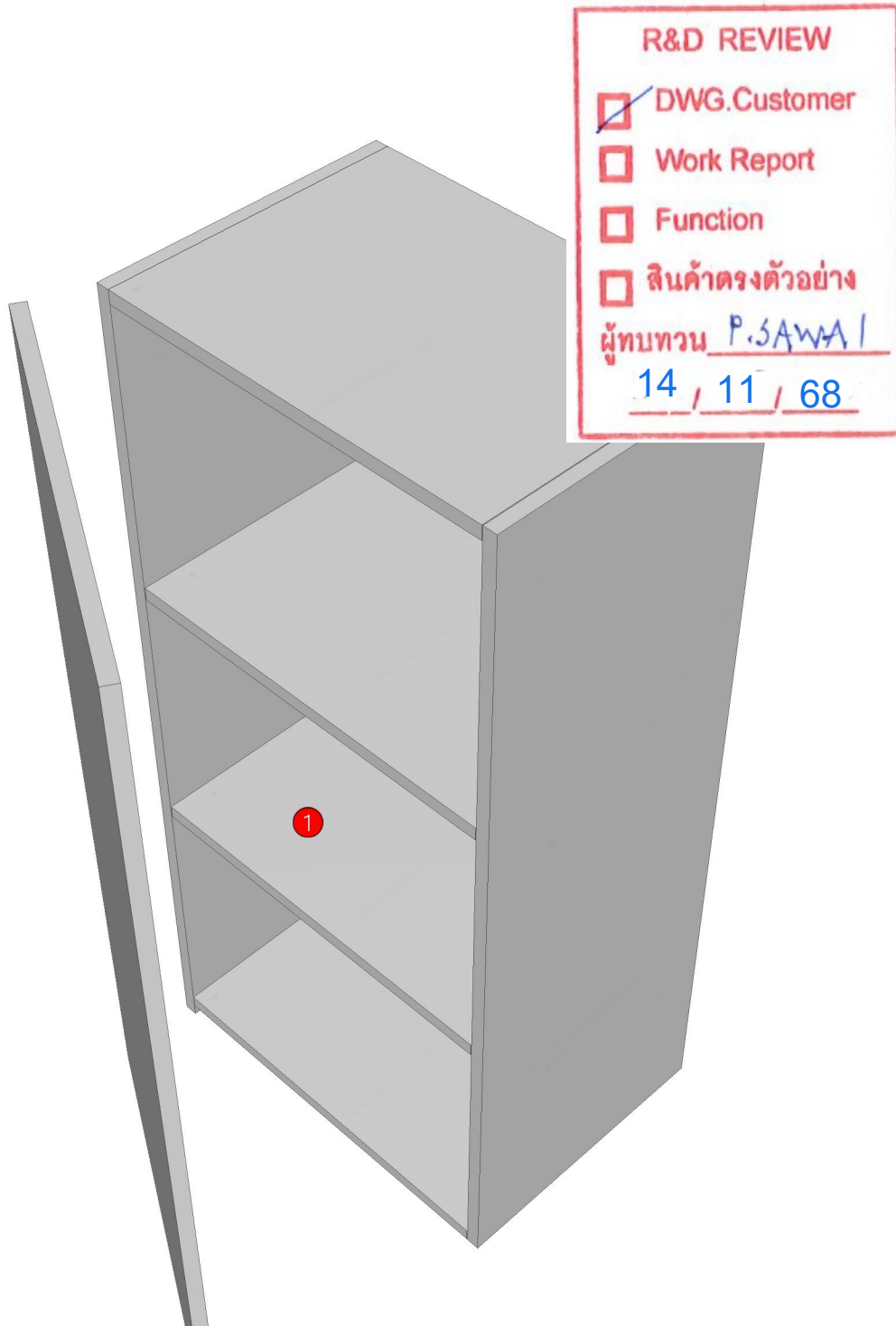
Model	ROMM_DL50LL		
Creator	SUTTHI.P	.BCP Name	INDEX_C3D_KITCHENPAE
Reviewer		Order	O002959
Approves	P.SAWA	Date	28/10/2025

ROMM_DL50LL-500X350X1050

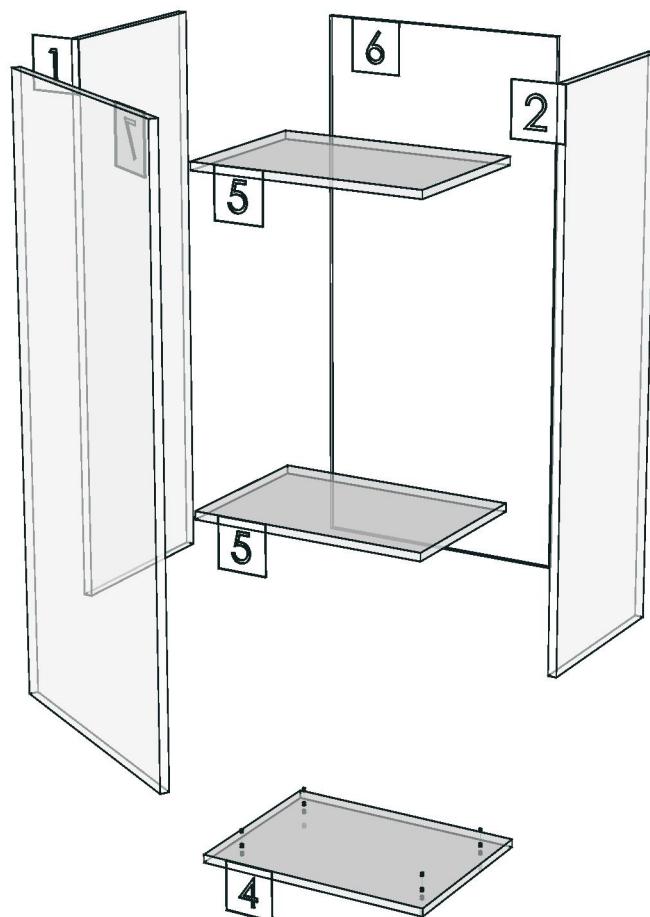
Colour
05.01=ML WHITE VM1012 18/18

Edge
01.47=1 WHITE

K25L 160167232



Model	-ROMM_DL50LL		
Creator	SUTTHI.P	.BCP Name	INDEX_C3D_KITCHENPAE
Reviewer		Order	0002959
Approves	<i>P. SAWA</i>	Date	28/10/2025



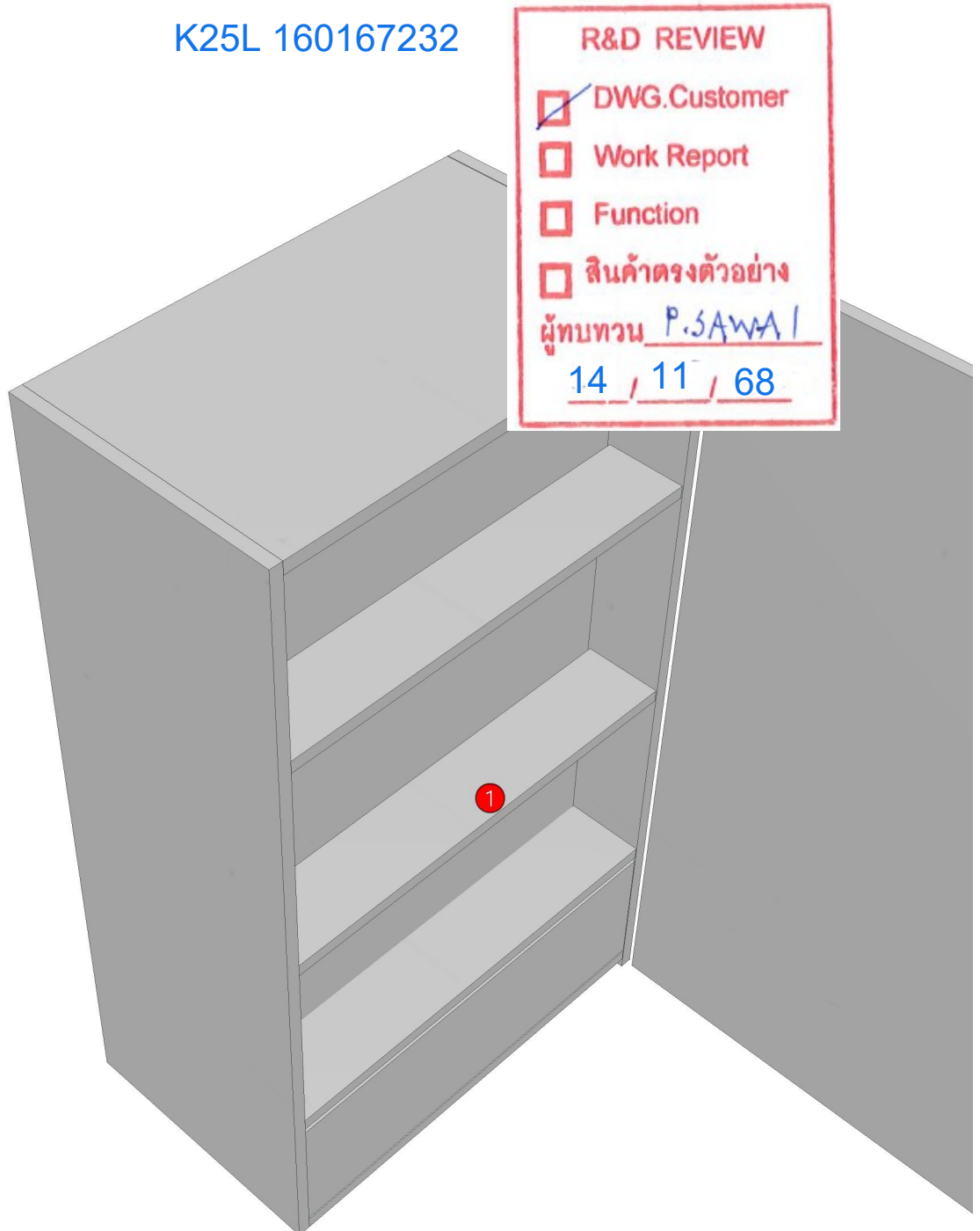
Model	ROMM_DL60HRR		
Creator	SUTTHI.P	.BCP Name	INDEX_C3D_KITCHENPAE
Reviewer		Order	O002970
Approves	P.SAWA	Date	29/10/2025

ROMM_DL60HRR-600X350X1050

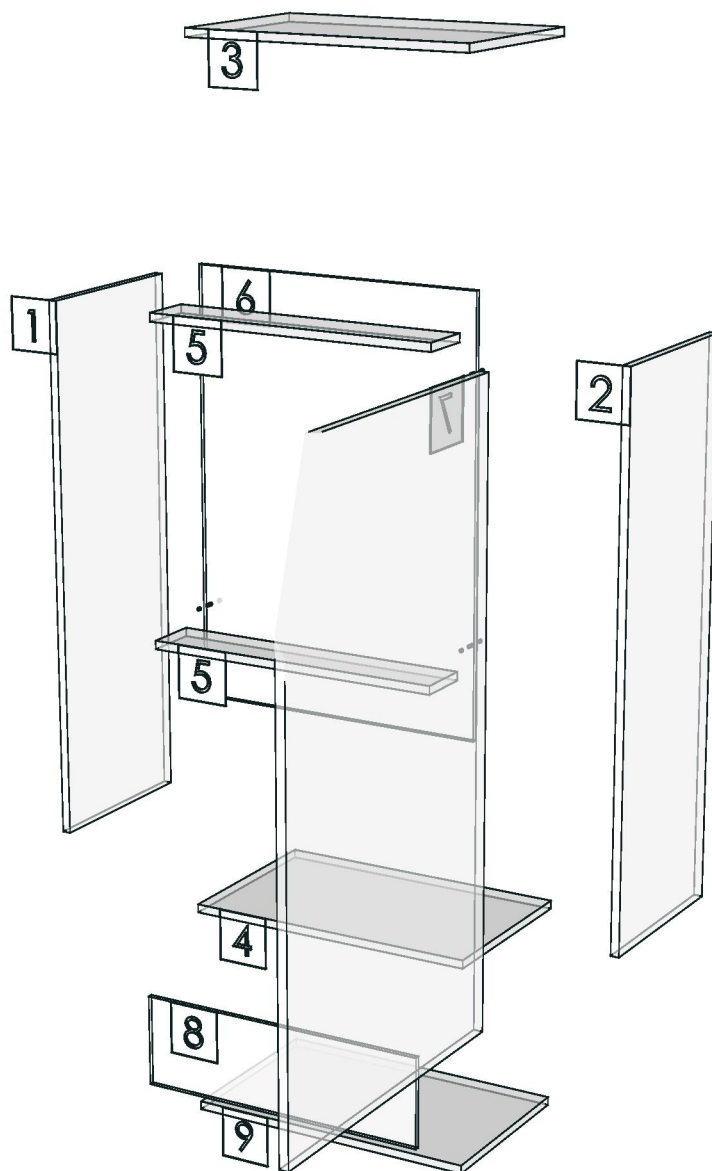
Colour
05.01=ML WHITE VM1012 18/18

Edge
01.47=1 WHITE

K25L 160167232



Model	-ROMM_DL60HRR		
Creator	SUTTHI.P	.BCP Name	INDEX_C3D_KITCHENPAE
Reviewer		Order	0002970
Approves	<i>P. SAWA</i>	Date	29/10/2025



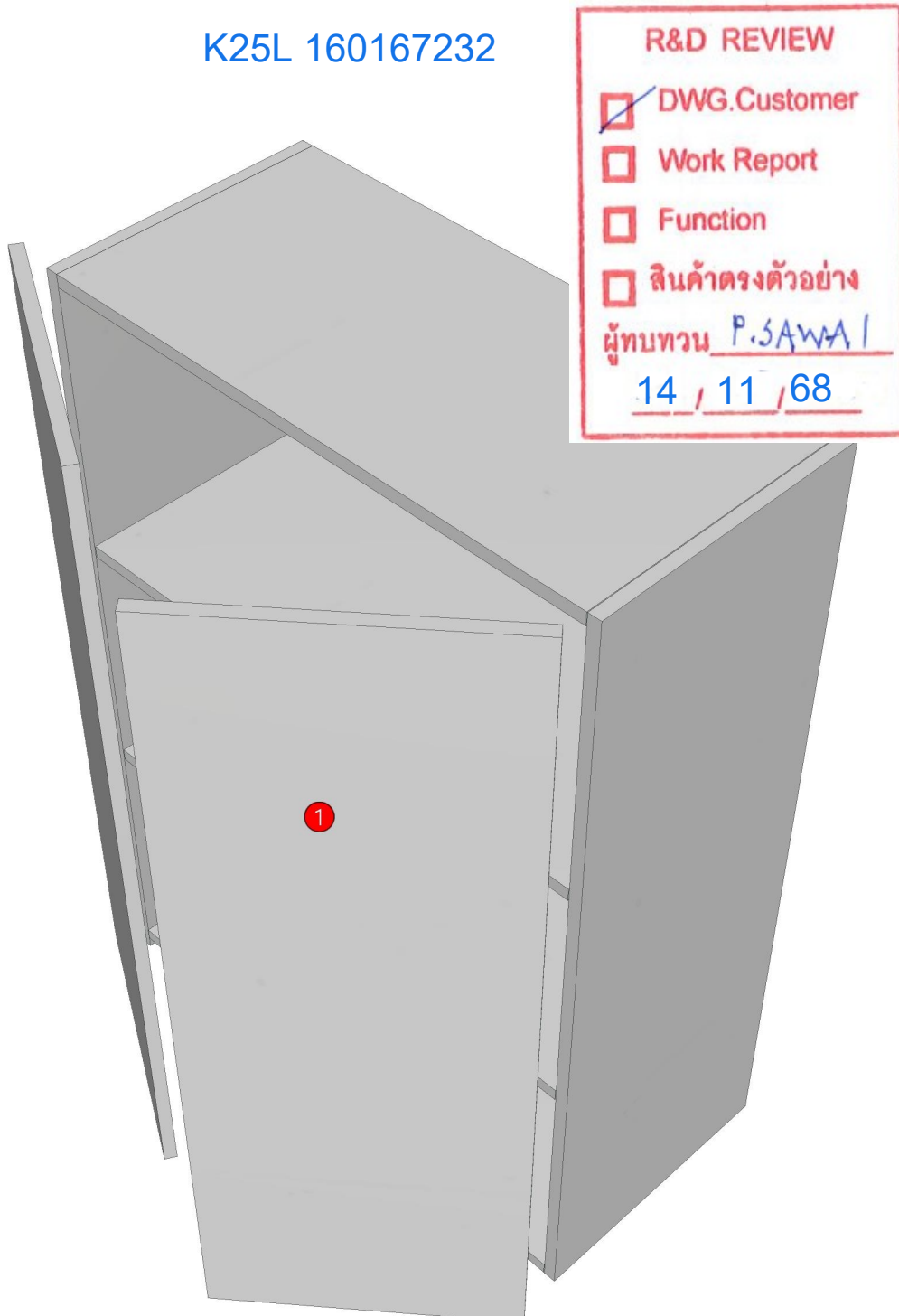
Model	ROMM_DL75L		
Creator	SUTTHI.P	.BCP Name	INDEX_C3D_KITCHENPAE
Reviewer		Order	O002962
Approves	<i>P.SAWA</i>	Date	28/10/2025

ROMM_DL75L-750X350X1050

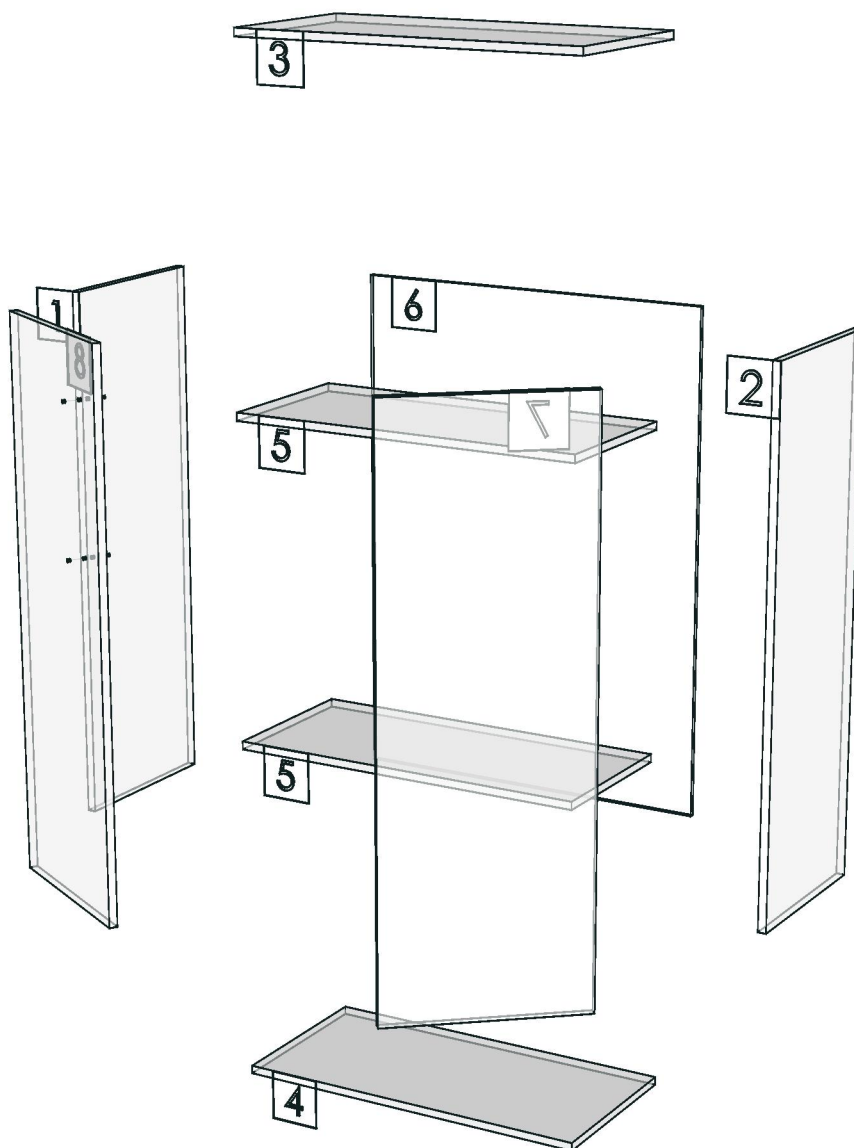
Colour
05.01=ML WHITE VM1012 18/18

Edge
01.47=1 WHITE

K25L 160167232



Model	-ROMM_DL75L		
Creator	SUTTHI.P	.BCP Name	INDEX_C3D_KITCHENPAE
Reviewer		Order	0002962
Approves	<i>P. SAWA</i>	Date	28/10/2025



Model	ROMM_DPLT_1450		
Creator	SUTTHI.P	.BCP Name	INDEX_C3D_KITCHENPAE
Reviewer		Order	O002985
Approves	P.SAWA	Date	30/10/2025

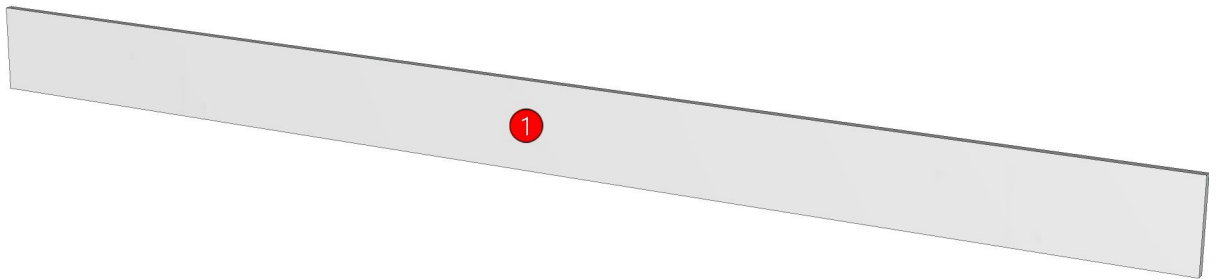
ROMM_DPLT_1450-1450X9X100

Colour
05.01=ML WHITE VM1012 18/18

Edge
01.47=1 WHITE

K25L 160167232

R&D REVIEW	
<input checked="" type="checkbox"/>	DWG.Customer
<input type="checkbox"/>	Work Report
<input type="checkbox"/>	Function
<input type="checkbox"/>	สินค้าตรงตัวอย่าง
ผู้ทบทวน <u>P.SAWA</u>	
<u>14</u> / <u>11</u> / <u>68</u>	



Model	-ROMM_DPLT_1450		
Creator	SUTTHI.P	.BCP Name	INDEX_C3D_KITCHENPAE
Reviewer		Order	0002985
Approves	P. SAWA	Date	30/10/2025



Model	ROMM_DPLT_500		
Creator	SUTTHI.P	.BCP Name	INDEX_C3D_KITCHENPAE
Reviewer		Order	0002987
Approves	P.SAWA	Date	30/10/2025

ROMM_DPLT_500-500X9X100

Colour

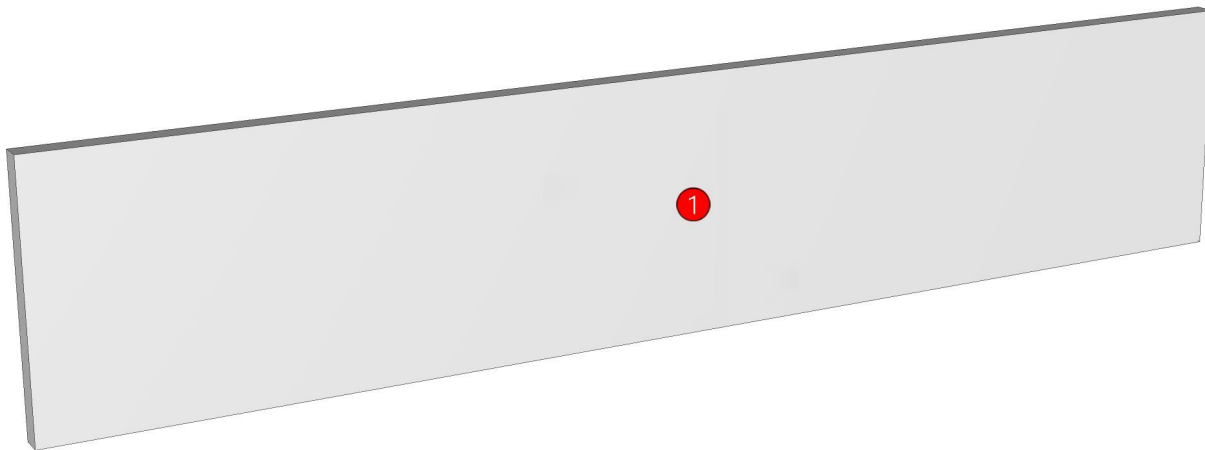
05.01=ML WHITE VM1012 18/18

Edge

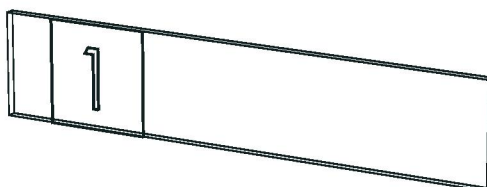
01.47=1 WHITE

K25L 160167232

R&D REVIEW	
<input checked="" type="checkbox"/>	DWG.Customer
<input type="checkbox"/>	Work Report
<input type="checkbox"/>	Function
<input type="checkbox"/>	สินค้าตรงตัวอย่าง
ผู้ทบทวน P.SAWA /	
14 / 11 / 68	



Model	-ROMM_DPLT_500		
Creator	SUTTHI.P	.BCP Name	INDEX_C3D_KITCHENPAE
Reviewer		Order	0002987
Approves	P. SAWA	Date	30/10/2025



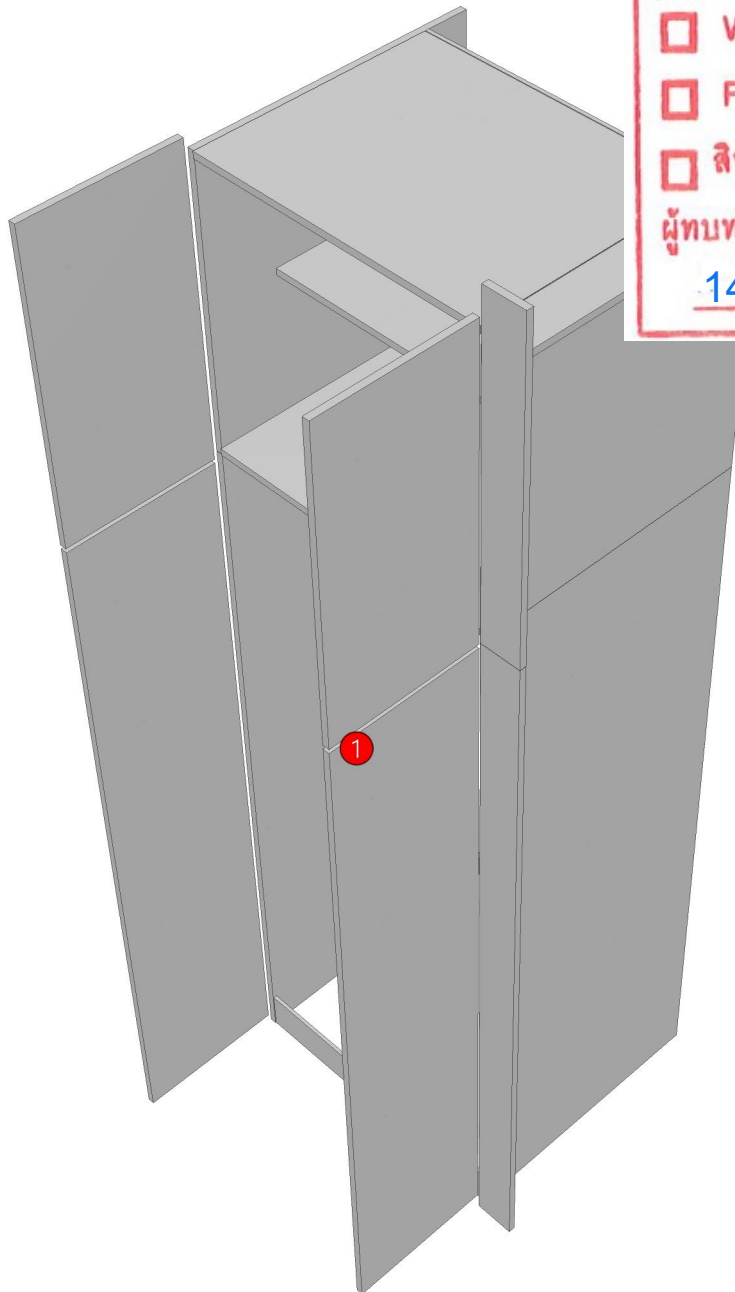
Model	ROMM_DT75		
Creator	SUTTHI.P	.BCP Name	INDEX_C3D_KITCHENPAE
Reviewer		Order	O002966
Approves	P.SAWA	Date	29/10/2025

ROMM_DT75-750X681X2550

Colour
05.01=ML WHITE VM1012 18/18

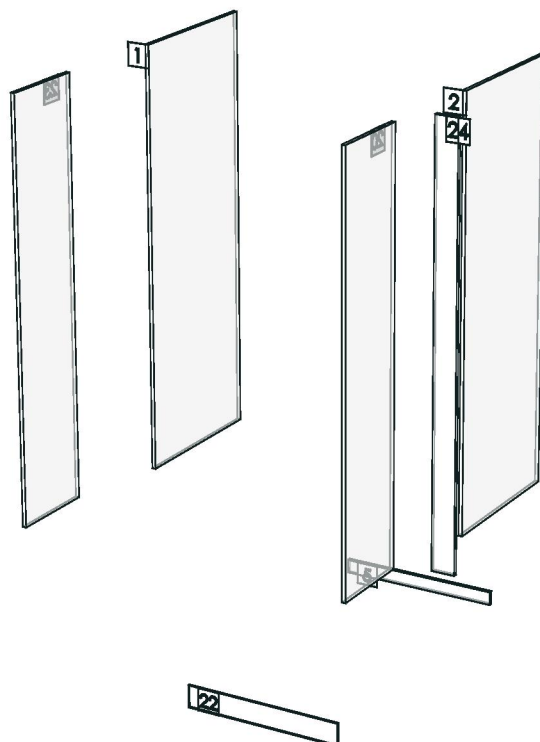
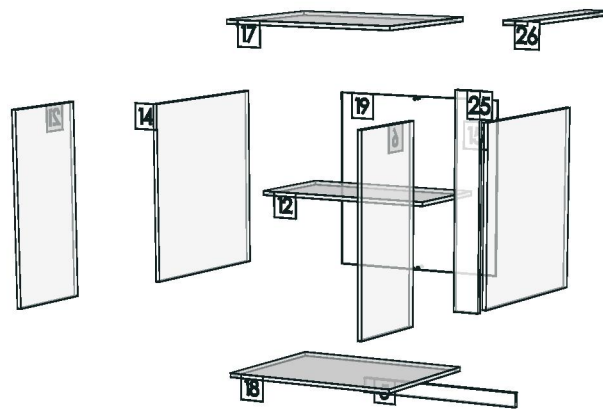
Edge
01.47=1 WHITE

K25L 160167232



R&D REVIEW	
<input checked="" type="checkbox"/>	DWG.Customer
<input type="checkbox"/>	Work Report
<input type="checkbox"/>	Function
<input type="checkbox"/>	สินค้าตรงตัวอย่าง
ผู้ทบทวน <u>P.SAWA</u>	
<u>14 / 11 / 68</u>	

Model	-ROMM_DT75		
Creator	SUTTHI.P	.BCP Name	INDEX_C3D_KITCHENPAE
Reviewer		Order	0002966
Approves	<i>P. SAWA</i>	Date	29/10/2025



Model	ROMM_LED_1318		
Creator	SUTTHI.P	.BCP Name	INDEX_C3D_KITCHENPAE
Reviewer		Order	O002991
Approves	P.SAWA	Date	30/10/2025

ROMM_LED_1318-1318X330X16

Colour

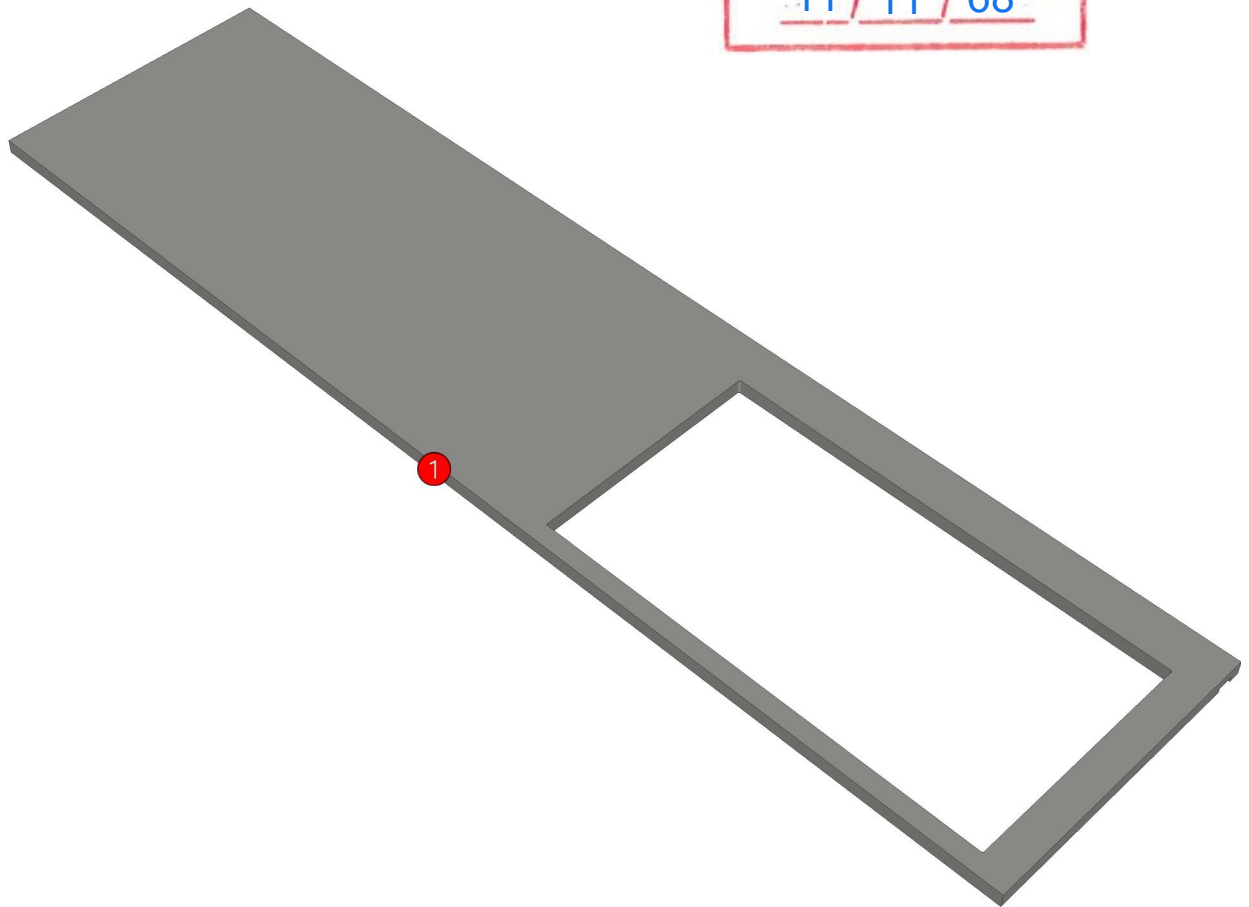
05.01=ML WHITE VM1012 18/18

Edge

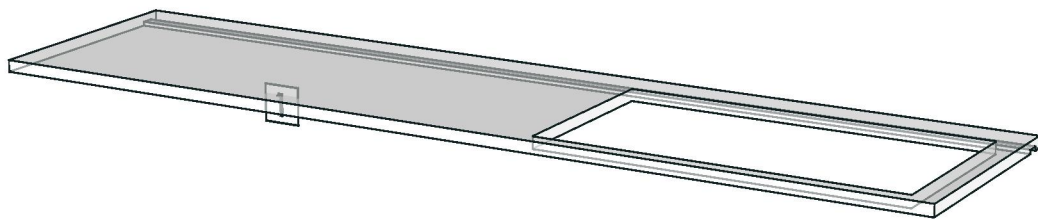
01.47=1 WHITE

K25L 160167232

R&D REVIEW	
<input checked="" type="checkbox"/>	DWG.Customer
<input type="checkbox"/>	Work Report
<input type="checkbox"/>	Function
<input type="checkbox"/>	สินค้าตรงตัวอย่าง
ผู้ทบทวน <u>P.SAWA</u>	
<u>11 / 11 / 68</u>	



Model	-ROMM_LED_1318		
Creator	SUTTHI.P	.BCP Name	INDEX_C3D_KITCHENPAE
Reviewer		Order	O002991
Approves	<i>P. SAWA</i>	Date	30/10/2025



Model	ROMM_LED_467		
Creator	SUTTHI.P	.BCP Name	INDEX_C3D_KITCHENPAE
Reviewer		Order	O002993
Approves	P.SAWA	Date	30/10/2025

ROMM_LED_467-467X330X16

Colour

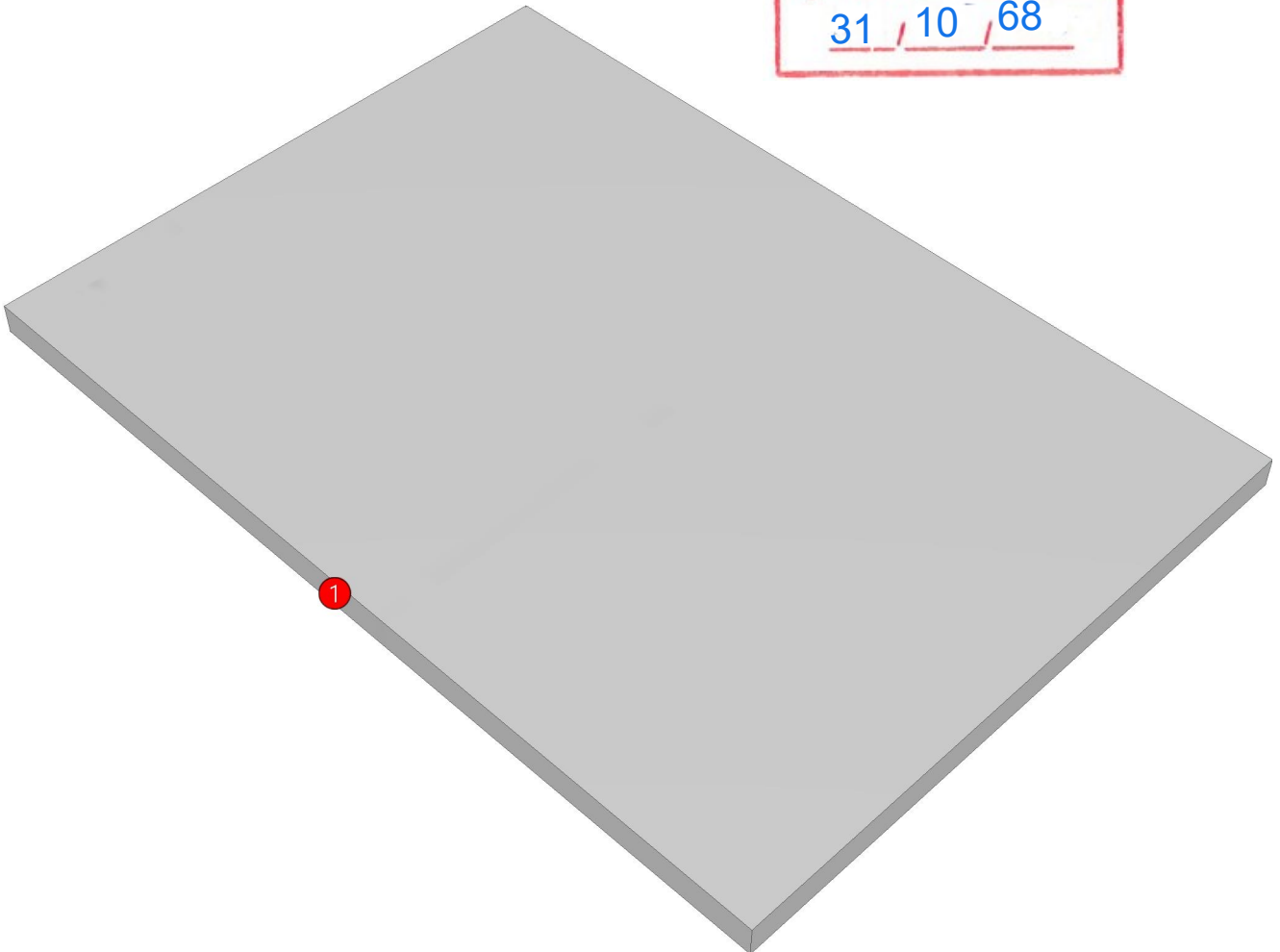
05.01=ML WHITE VM1012 18/18

Edge

01.47=1 WHITE

K25L 160167232

R&D REVIEW	
<input checked="" type="checkbox"/>	DWG.Customer
<input type="checkbox"/>	Work Report
<input type="checkbox"/>	Function
<input type="checkbox"/>	สินค้าตรงตัวอย่าง
ผู้ทบทวน <u>P.SAWA</u>	
<u>31 / 10 / 68</u>	



Model	-ROMM_LED_467		
Creator	SUTTHI.P	.BCP Name	INDEX_C3D_KITCHENPAE
Reviewer		Order	0002993
Approves	P. SAWA	Date	30/10/2025

