

<b>Model</b>	ROMM_CONVECT_DBH601_1		
<b>Creator</b>	SUTTHI.P	<b>.BCP Name</b>	INDEX_C3D_KITCHENPAE
<b>Reviewer</b>		<b>Order</b>	O002488
<b>Approves</b>	พ. Sawan	<b>Date</b>	06/06/2025

**ROMM\_CONVECT\_DBH601\_1-600X570X730**

**Colour**

04.69=PB-E1 4'X8'T LAMINATE WILMIKA TEXT NO. W3125-16

04.691=ALVIC LUMAX-SPP/4'X10'X18MM.-BLANCO SUPPERMATT(LX8

04.692=PB-E1 4'X9'T. LAMINA WILMIKA TEXT NO. W3125-16

04.693=HPL WILMIKA NO. W3125-16/HPL.TD#9201 PL

**Edge**

01.405=1 DWK3125AT

01.4051=1 WHITE 01016

K5R 160152669

K6L 160160455

K10R 160161347

K11L 160152691

K13L 160161368

K14L 160152715

K15R 160152736

K18R 160161391

K19L 160161410

**R&D REVIEW**

DWG.Customer

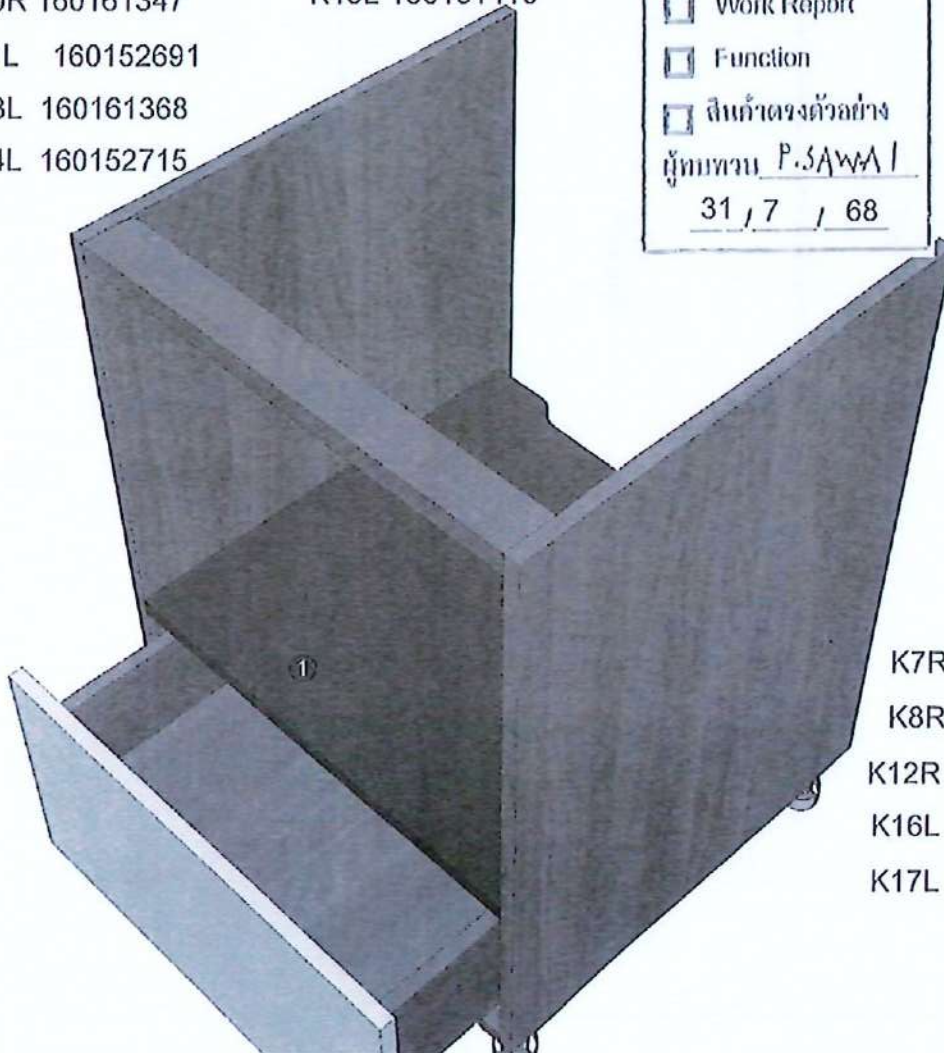
Work Report

Function

สินค้าตรงตัวอย่าง

ผู้ทบทวน P.Sawan

31 / 7 / 68



K7R 160167026

K8R 160167049

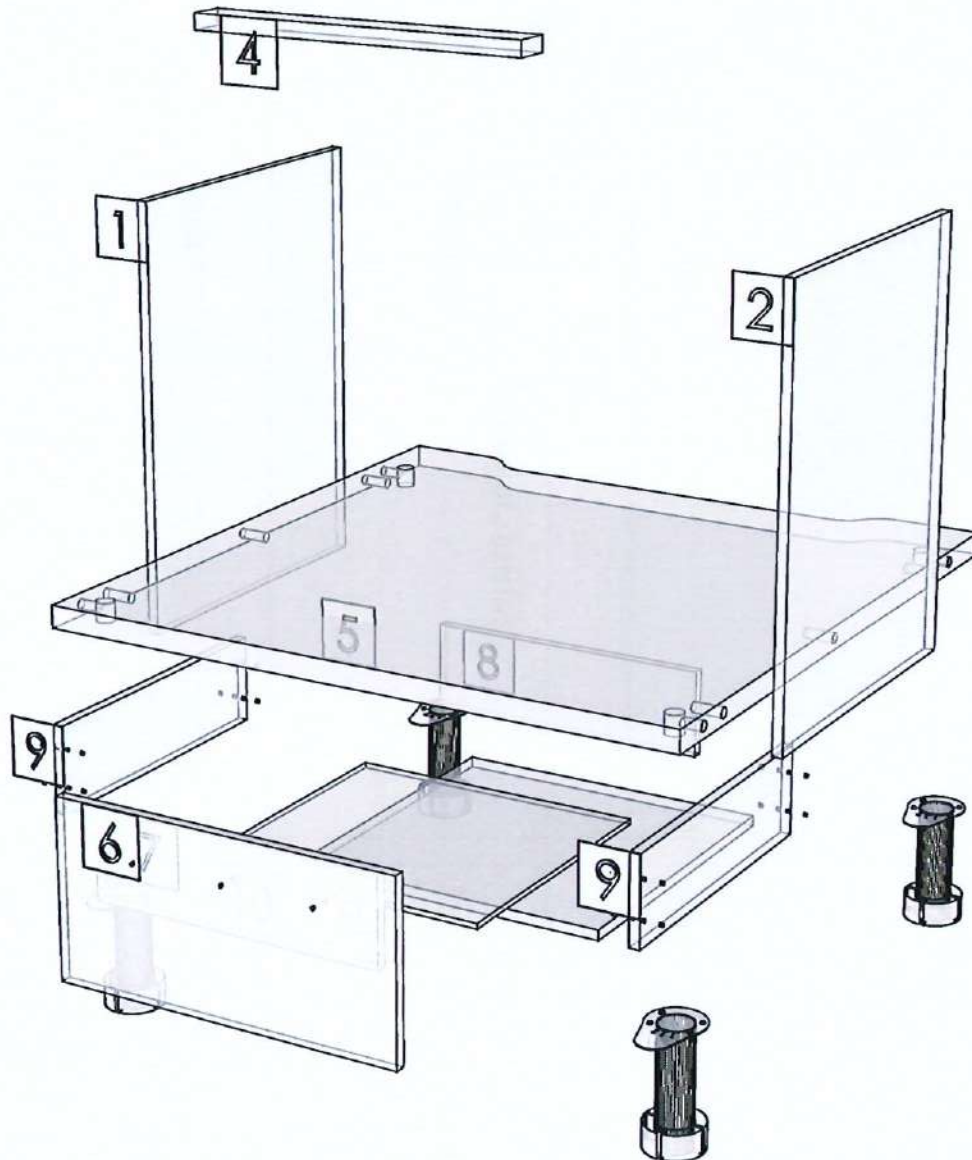
K12R 160167080

K16L 160167101

K17L 160167121

00000000

<b>Model</b>	-ROMM_CONVECT_DBH601_1		
<b>Creator</b>	SUTTHI.P	<b>.BCP Name</b>	INDEX_C3D_KITCHENPAE
<b>Reviewer</b>		<b>Order</b>	0002488
<b>Approves</b>	<i>P. Sawai</i>	<b>Date</b>	06/06/2025



<b>Model</b>	ROMM_CONVECT_DBD20_1		
<b>Creator</b>	SUTTHI.P	<b>.BCP Name</b>	INDEX_C3D_KITCHENPAE
<b>Reviewer</b>		<b>Order</b>	O002486
<b>Approves</b>	ป. Sawai	<b>Date</b>	06/06/2025

**ROMM\_CONVECT\_DBD20\_1-200X570X760**

**Colour**

04.69=PB-E1 4'X8'T LAMINATE WILMIKA TEXT NO. W3125-16  
 04.691=ALVIC LUMAX-SPP/4'X10'X18MM.-BLANCO SUPPERMATT(LX8  
 04.692=PB-E1 4'X9'T. LAMINA WILMIKA TEXT NO. W3125-16  
 04.693=HPL WILMIKA NO. W3125-16/HPL.TD#9201 PL

**Edge**

01.405=1 DWK3125AT  
 01.4051=1 WHITE 01016

- K5R 160152669
- K6L 160160455
- K13L 160161368
- K18R 160161391



**R&D REVIEW**

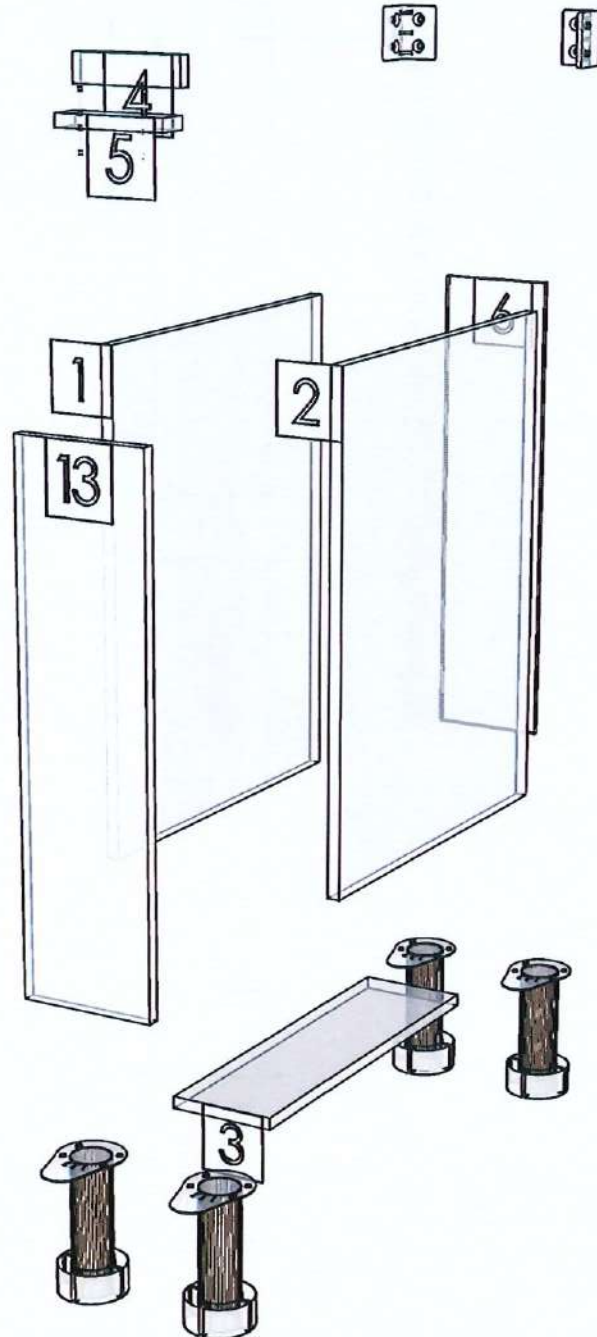
- DWG.Customer
- Work Report
- Function
- สิ้นค้าตรงตัวอย่าง

ผู้ทบทวน ป. Sawai

31 / 7 / 68

- K7R 160167026
- K8R 160167049
- K12R 160167080
- K16L 160167101
- K17L 160167121
- K20L 160167142
- K22R 160167189

<b>Model</b>	-ROMM_CONVECT_DBD20_1		
<b>Creator</b>	SUTTHI.P	<b>.BCP Name</b>	INDEX_C3D_KITCHENPAE
<b>Reviewer</b>		<b>Order</b>	0002486
<b>Approves</b>	<i>P. Sawai</i>	<b>Date</b>	06/06/2025



<b>Model</b>	ROMM_CONVECT_DBS100RS_1	<b>.BCP Name</b>	INDEX_C3D_KITCHENPAE
<b>Creator</b>	SUTTHI.P	<b>Order</b>	O002835
<b>Reviewer</b>		<b>Date</b>	03/10/2025
<b>Approves</b>	<i>P. SAWA</i>		

## **ROMM\_CONVECT\_DBS100RS\_1-1000X570X730**

### **Colour**

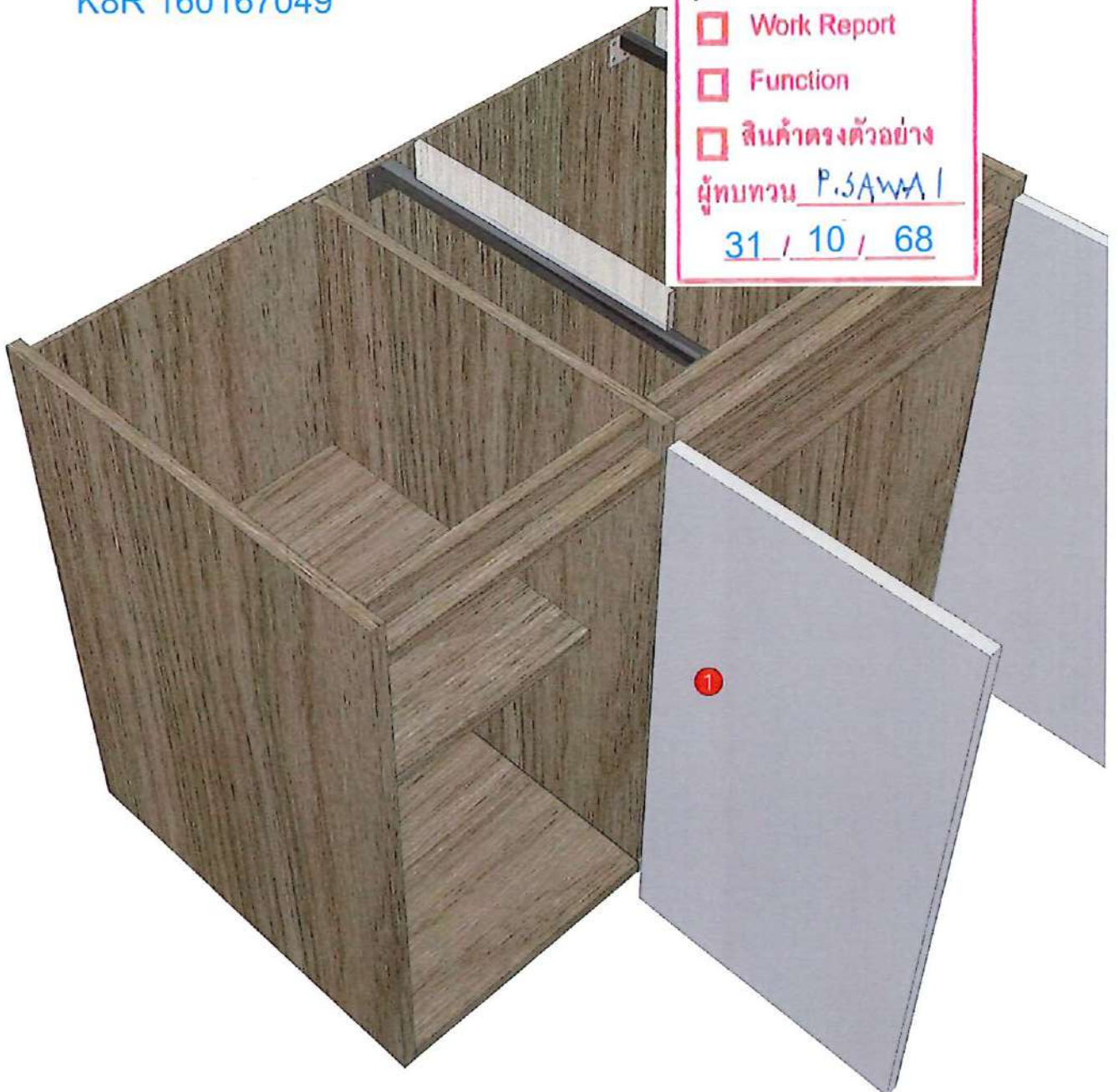
04.69=PB-E1 4'X8'T LAMINATE WILMIKA TEXT NO. W3125-16  
04.691=ALVIC LUMAX-SPP/4'X10'X18MM.-BLANCO SUPPERMATT(LX8  
04.692=PB-E1 4'X9'T. LAMINA WILMIKA TEXT NO. W3125-16  
04.693=HPL WILMIKA NO. W3125-16/HPL.TD#9201 PL  
06.01=TEXTURE DEAD STOCK

### **Edge**

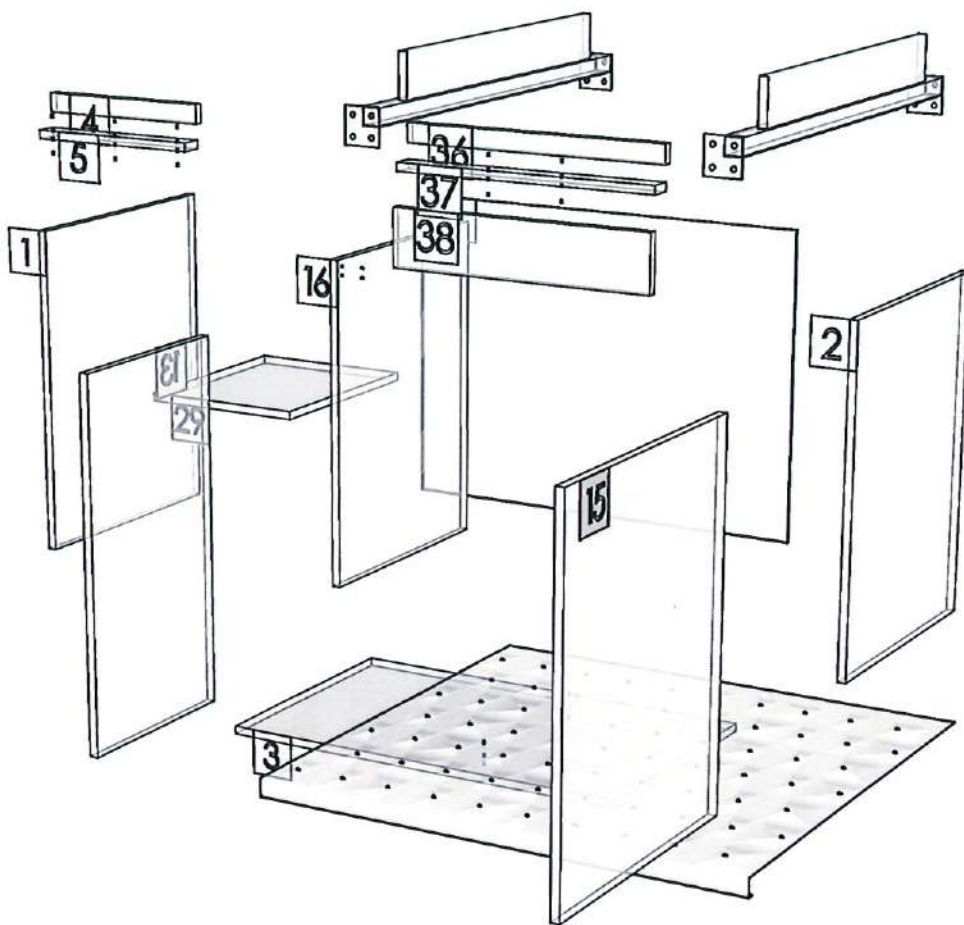
01.405=1 DWK3125AT  
01.47=1 WHITE

**K8R 160167049**

<b>R&amp;D REVIEW</b>	
<input checked="" type="checkbox"/>	DWG.Customer
<input type="checkbox"/>	Work Report
<input type="checkbox"/>	Function
<input type="checkbox"/>	สินค้าตรงตัวอย่าง
ผู้ทบทวน <u>P.SAWA</u>	
<u>31 / 10 / 68</u>	



<b>Model</b>	-ROMM_CONVECT_DBS100RS_1		
<b>Creator</b>	SUTTHI.P	<b>.BCP Name</b>	INDEX_C3D_KITCHENPAE
<b>Reviewer</b>		<b>Order</b>	O002835
<b>Approves</b>	P. SAWA	<b>Date</b>	03/10/2025



<b>Model</b>	ROMM_CONVECT_DBO72_1		
<b>Creator</b>	SUTTHI.P	<b>.BCP Name</b>	INDEX_C3D_KITCHENPAE
<b>Reviewer</b>		<b>Order</b>	O002834
<b>Approves</b>	<i>P. SAWA</i>	<b>Date</b>	03/10/2025

## ROMM\_CONVECT\_DBO72\_1-720X680X880

### Colour

04.69=PB-E1 4'X8'T LAMINATE WILMIKA TEXT NO. W3125-16  
04.691=ALVIC LUMAX-SPP/4'X10'X18MM.-BLANCO SUPPERMATT(LX8  
04.692=PB-E1 4'X9'T. LAMINA WILMIKA TEXT NO. W3125-16  
04.693=HPL WILMIKA NO. W3125-16/HPL.TD#9201 PL

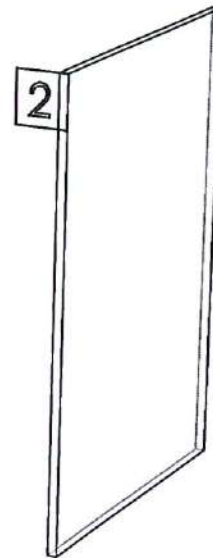
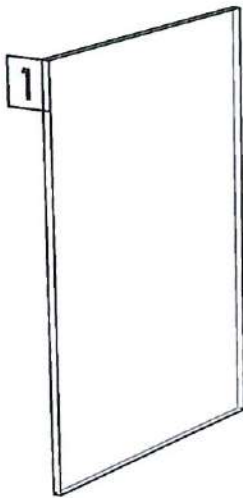
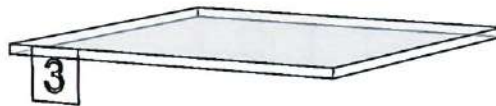
### Edge

01.405=1 DWK3125AT  
01.4051=1 WHITE 01016

K8R 160167049



<b>Model</b>	-ROMM_CONVECT_DBO72_1		
<b>Creator</b>	SUTTHI.P	<b>.BCP Name</b>	INDEX_C3D_KITCHENPAE
<b>Reviewer</b>		<b>Order</b>	O002834
<b>Approves</b>	พ. Sawai	<b>Date</b>	03/10/2025



<b>Model</b>	ROMM_CONVECT_DBO110D_1		
<b>Creator</b>	SUTTHI.P	<b>.BCP Name</b>	INDEX_C3D_KITCHENPAE
<b>Reviewer</b>		<b>Order</b>	O002833
<b>Approves</b>	<i>P. Sawal</i>	<b>Date</b>	03/10/2025

## ROMM\_CONVECT\_DBO110D\_1-1100X270X830

**Colour**

04.69=PB-E1 4'X8'T LAMINATE WILMIKA TEXT NO. W3125-16  
04.691=ALVIC LUMAX-SPP/4'X10'X18MM.-BLANCO SUPPERMATT(LX8  
04.692=PB-E1 4'X9'T. LAMINA WILMIKA TEXT NO. W3125-16  
04.693=HPL WILMIKA NO. W3125-16/HPL.TD#9201 PL

**Edge**

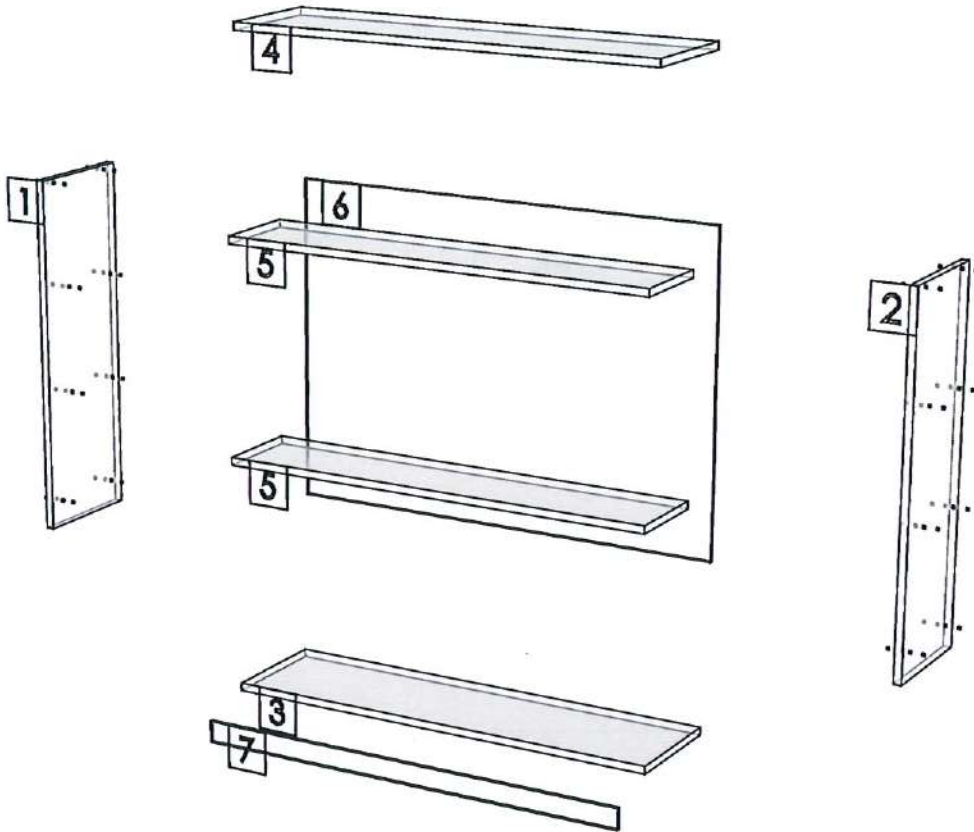
01.405=1 DWK3125AT  
01.4051=1 WHITE 01016

K8R 160167049

<b>R&amp;D REVIEW</b>	
<input checked="" type="checkbox"/>	DWG.Customer
<input type="checkbox"/>	Work Report
<input type="checkbox"/>	Function
<input type="checkbox"/>	สินค้าตรงตัวอย่าง
ผู้ทบทวน <i>P.SAWAL</i>	
<i>31 / 10 / 68</i>	



<b>Model</b>	-ROMM_CONVECT_DBO110D_1		
<b>Creator</b>	SUTTHI.P	<b>.BCP Name</b>	INDEX_C3D_KITCHENPAE
<b>Reviewer</b>		<b>Order</b>	0002833
<b>Approves</b>	ป. SAWA	<b>Date</b>	03/10/2025



<b>Model</b>	ROMM_CONVECT_DB70R_1	<b>.BCP Name</b>	INDEX_C3D_KITCHENPAE
<b>Creator</b>	SUTTHI.P	<b>Order</b>	O002797
<b>Reviewer</b>		<b>Date</b>	19/09/2025
<b>Approves</b>	<i>P. Sawai</i>		

## **ROMM\_CONVECT\_DB70R\_1-700X670X830**

### Colour

04.69=PB-E1 4'X8'T LAMINATE WILMIKA TEXT NO. W3125-16  
04.691=ALVIC LUMAX-SPP/4'X10'X18MM.-BLANCO SUPPERMATT(LX8  
04.692=PB-E1 4'X9'T. LAMINA WILMIKA TEXT NO. W3125-16  
04.693=HPL WILMIKA NO. W3125-16/HPL.TD#9201 PL

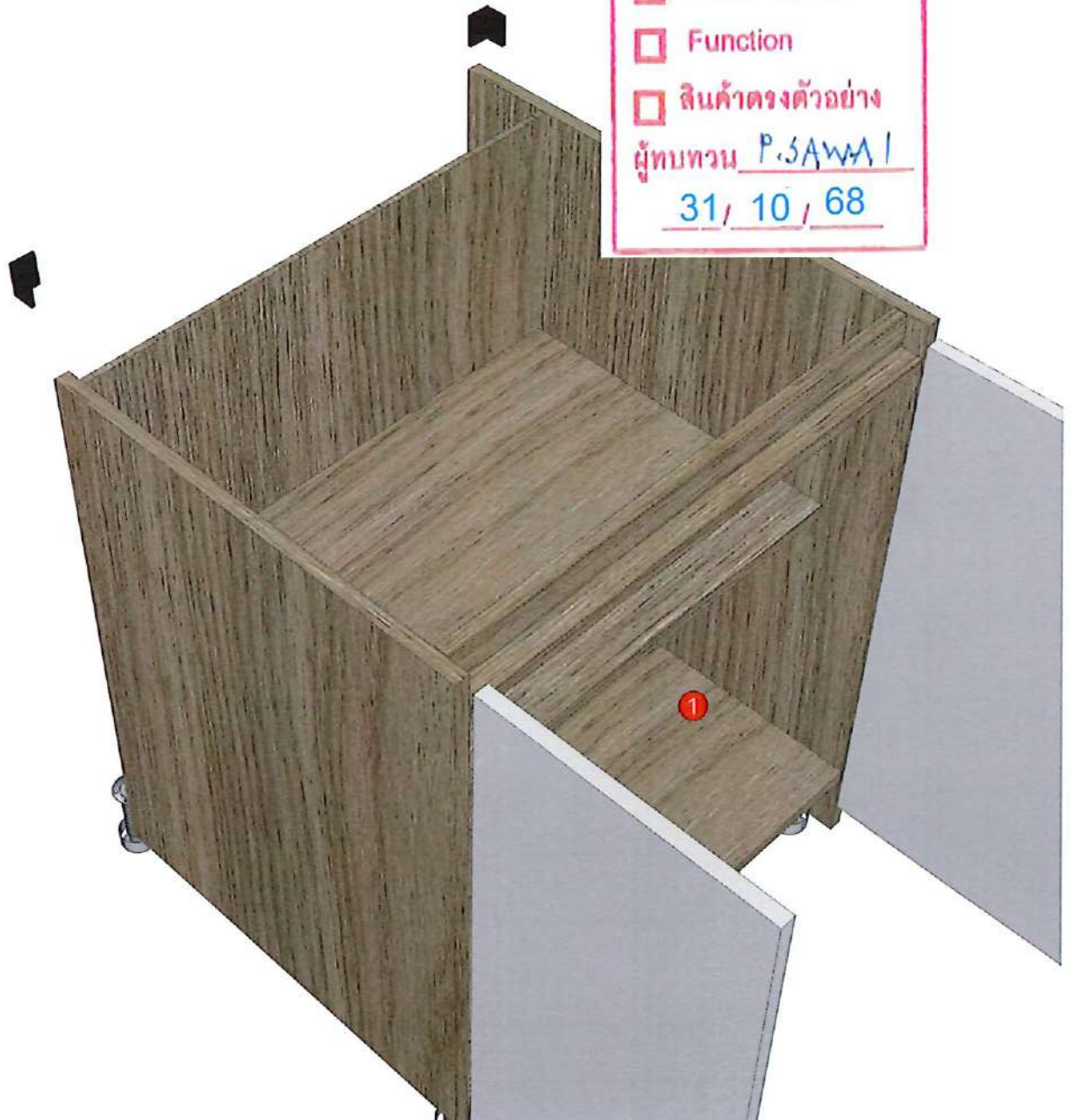
### Edge

01.405=1 DWK3125AT  
01.47=1 WHITE

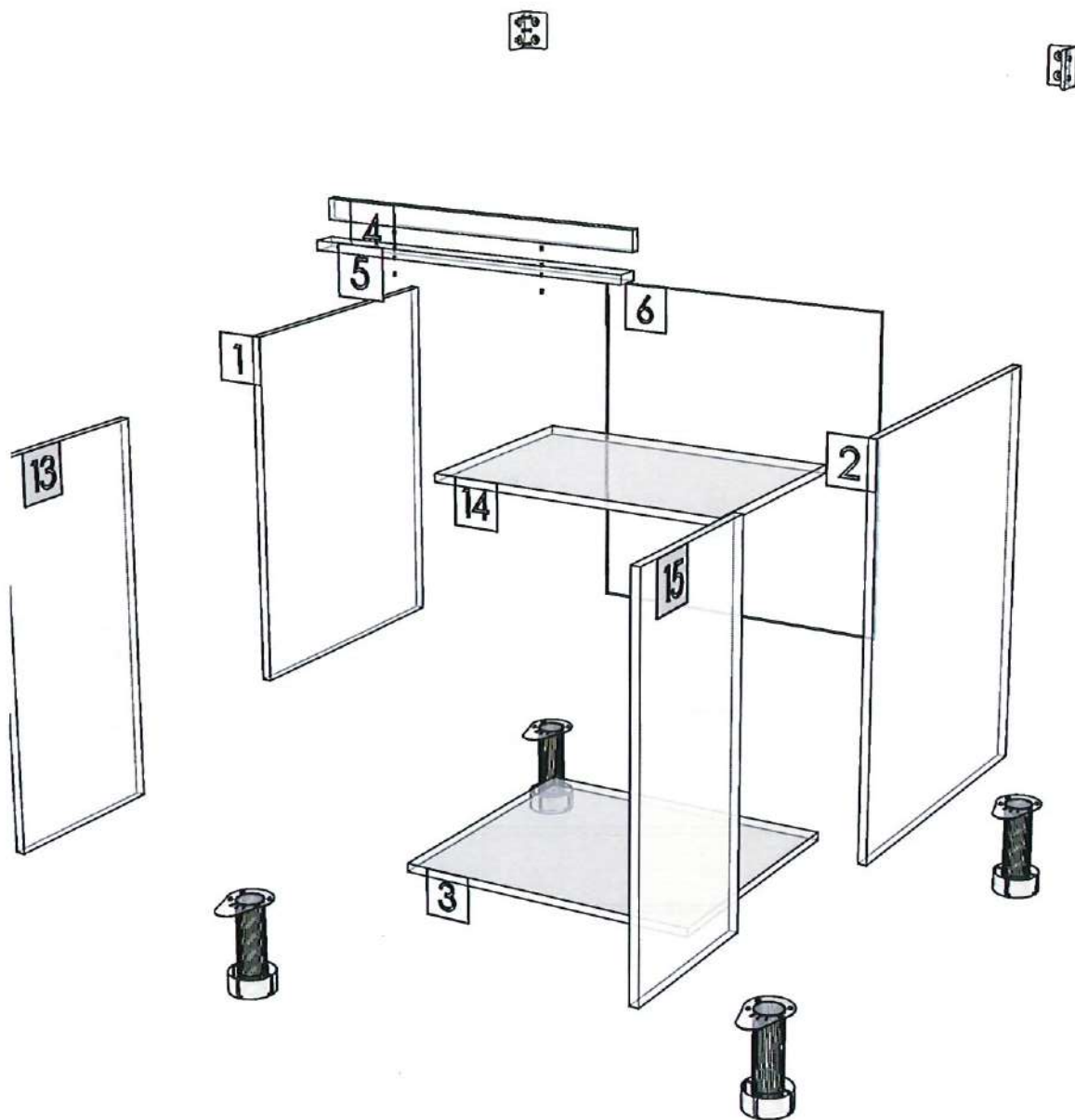
K7R 160167026

K8R 160167049

<b>R&amp;D REVIEW</b>	
<input checked="" type="checkbox"/>	DWG.Customer
<input type="checkbox"/>	Work Report
<input type="checkbox"/>	Function
<input type="checkbox"/>	สินค้าตรงตัวอย่าง
ผู้ทบทวน <u>P.SAWAI</u>	
<u>31 / 10 / 68</u>	



<b>Model</b>	-ROMM_CONVECT_DB70R_1		
<b>Creator</b>	SUTTHI.P	<b>.BCP Name</b>	INDEX_C3D_KITCHENPAE
<b>Reviewer</b>		<b>Order</b>	O002797
<b>Approves</b>	<i>P. Sawan</i>	<b>Date</b>	19/09/2025



<b>Model</b>	ROMM_CONVECT_DB385L_1	<b>.BCP Name</b>	INDEX_C3D_KITCHENPAE
<b>Creator</b>	SUTTHI.P	<b>Order</b>	O002792
<b>Reviewer</b>		<b>Date</b>	19/09/2025
<b>Approves</b>	<i>P. SAWA</i>		

## ROMM\_CONVECT\_DB385L\_1-385X570X730

### Colour

04.69=PB-E1 4'X8'T LAMINATE WILMIKA TEXT NO. W3125-16

04.691=ALVIC LUMAX-SPP/4'X10'X18MM.-BLANCO SUPPERMATT(LX8

04.692=PB-E1 4'X9'T. LAMINA WILMIKA TEXT NO. W3125-16

04.693=HPL WILMIKA NO. W3125-16/HPL.TD#9201 PL

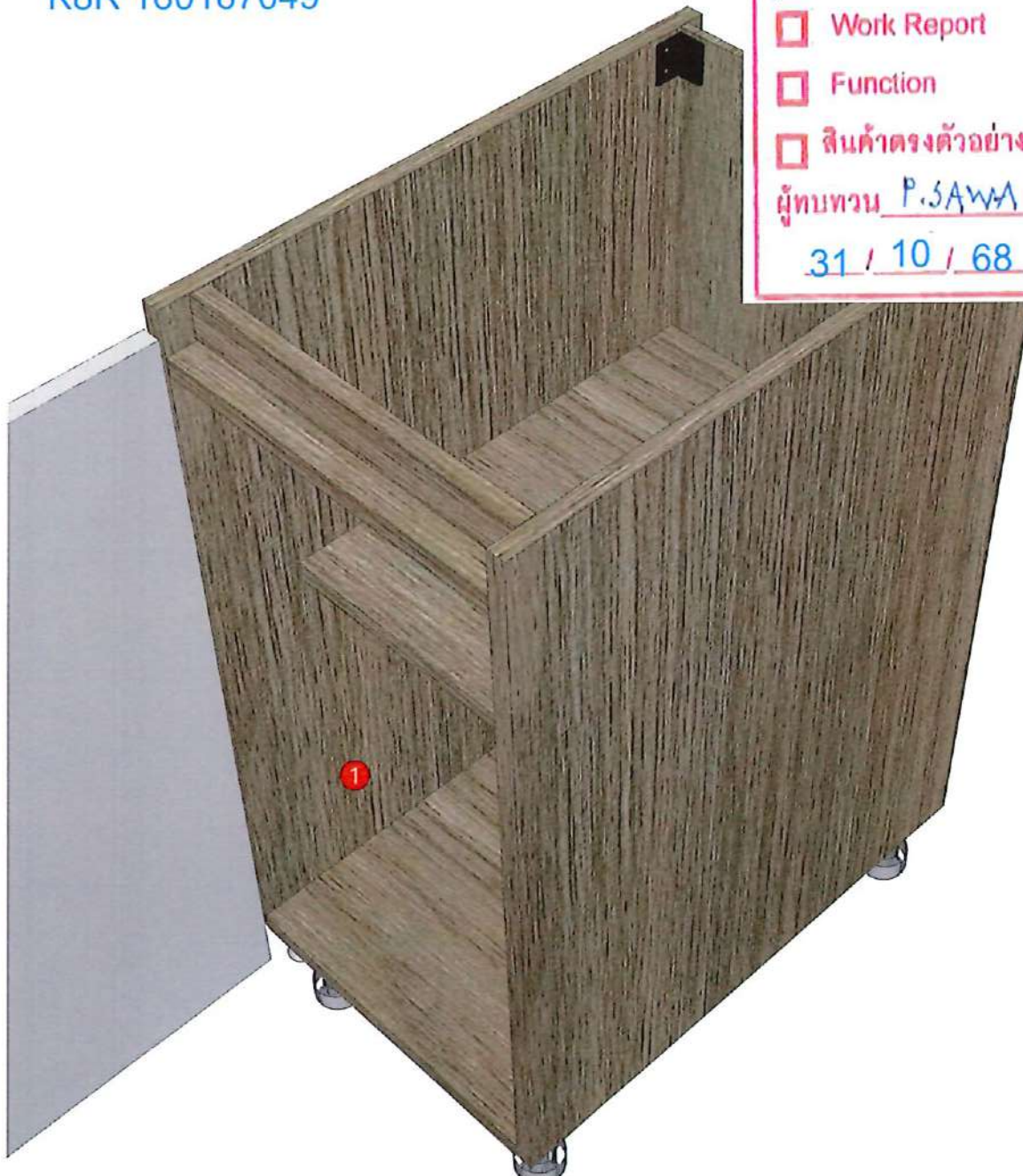
### Edge

01.405=1 DWK3125AT

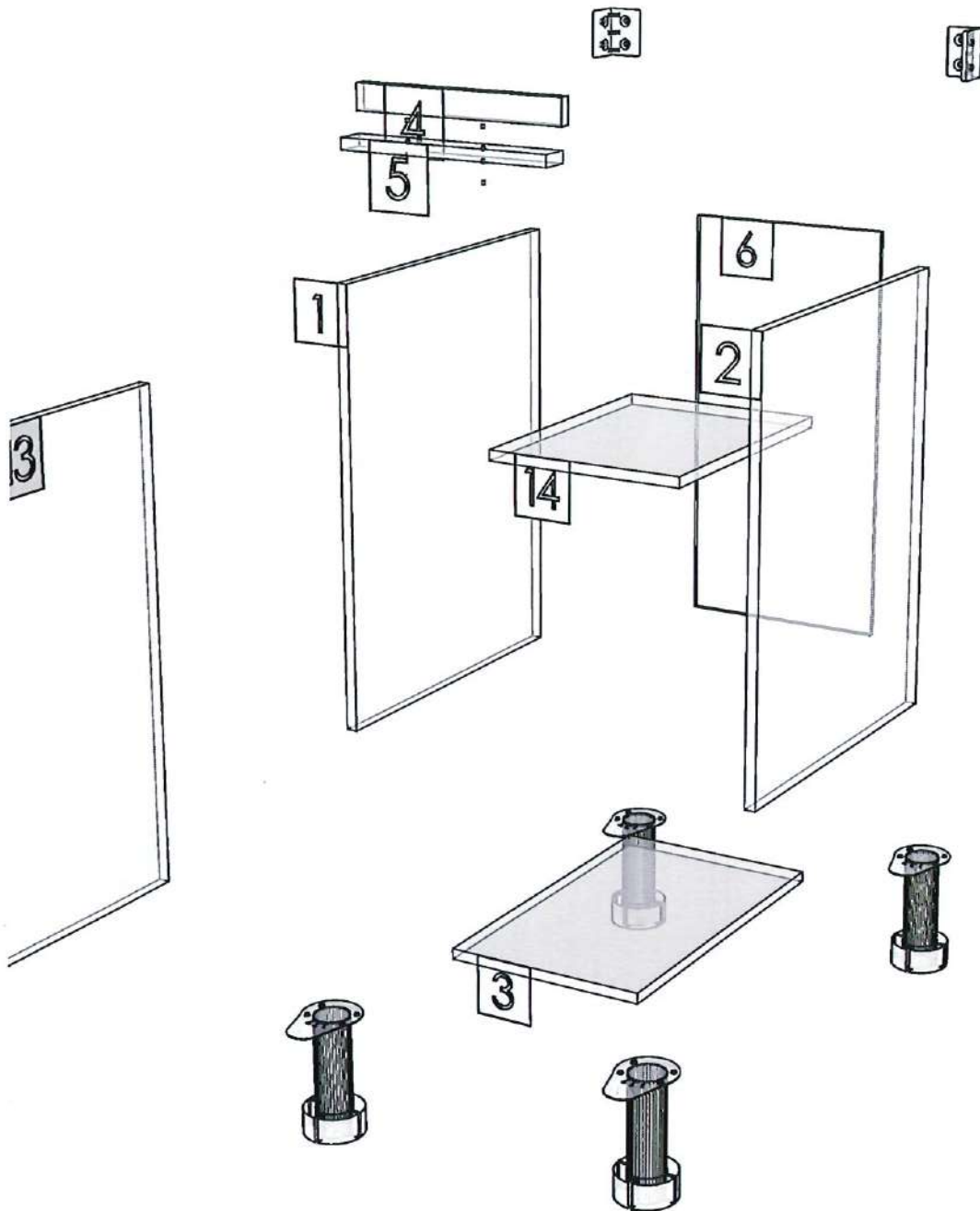
01.47=1 WHITE

K8R 160167049

<b>R&amp;D REVIEW</b>	
<input checked="" type="checkbox"/>	DWG.Customer
<input type="checkbox"/>	Work Report
<input type="checkbox"/>	Function
<input type="checkbox"/>	สินค้าตรงตัวอย่าง
ผู้ทบทวน <u>P.SAWA</u>	
<u>31 / 10 / 68</u>	



<b>Model</b>	-ROMM_CONVECT_DB385L_1		
<b>Creator</b>	SUTTHI.P	<b>.BCP Name</b>	INDEX_C3D_KITCHENPAE
<b>Reviewer</b>		<b>Order</b>	O002792
<b>Approves</b>	<i>P. Sawai</i>	<b>Date</b>	19/09/2025



# interfurn

18/2 ม.4 ซ.ทรัพย์มหาโชค ด.พระราม 2 ต.นาดี อ.เมือง จ.สมุทรสาคร 7400  
(034) 833413-22 Tel : 081-944-0608

Model	ROMM_CONVECT_DB60L_1		
Creator	SUTTHI.P	.BCP Name	INDEX_C3D_KITCHENPAE
Reviewer		Order	O002680
Approves	P. SAWA	Date	02/08/2025

## ROMM\_CONVECT\_DB60L\_1-600X570X730

### Colour

04.69=PB-E1 4'X8'T LAMINATE WILMIKA TEXT NO. W3125-16  
04.691=ALVIC LUMAX-SPP/4'X10'X18MM.-BLANCO SUPPERMATT(LX8  
04.692=PB-E1 4'X9'T. LAMINA WILMIKA TEXT NO. W3125-16  
04.693=HPL WILMIKA NO. W3125-16/HPL.TD#9201 PL

### Edge

01.405=1 DWK3125AT  
01.47=1 WHITE

K13L 160161368

1 K8R 160167049

1 K17L 160167121

1 K20L 160167142

1 K22R 160167189

### R&D REVIEW

- DWG.Customer
- Work Report
- Function
- สินค้าตรงตัวอย่าง

ผู้ทบทวน P.SAWA /

20 / 8 / 68

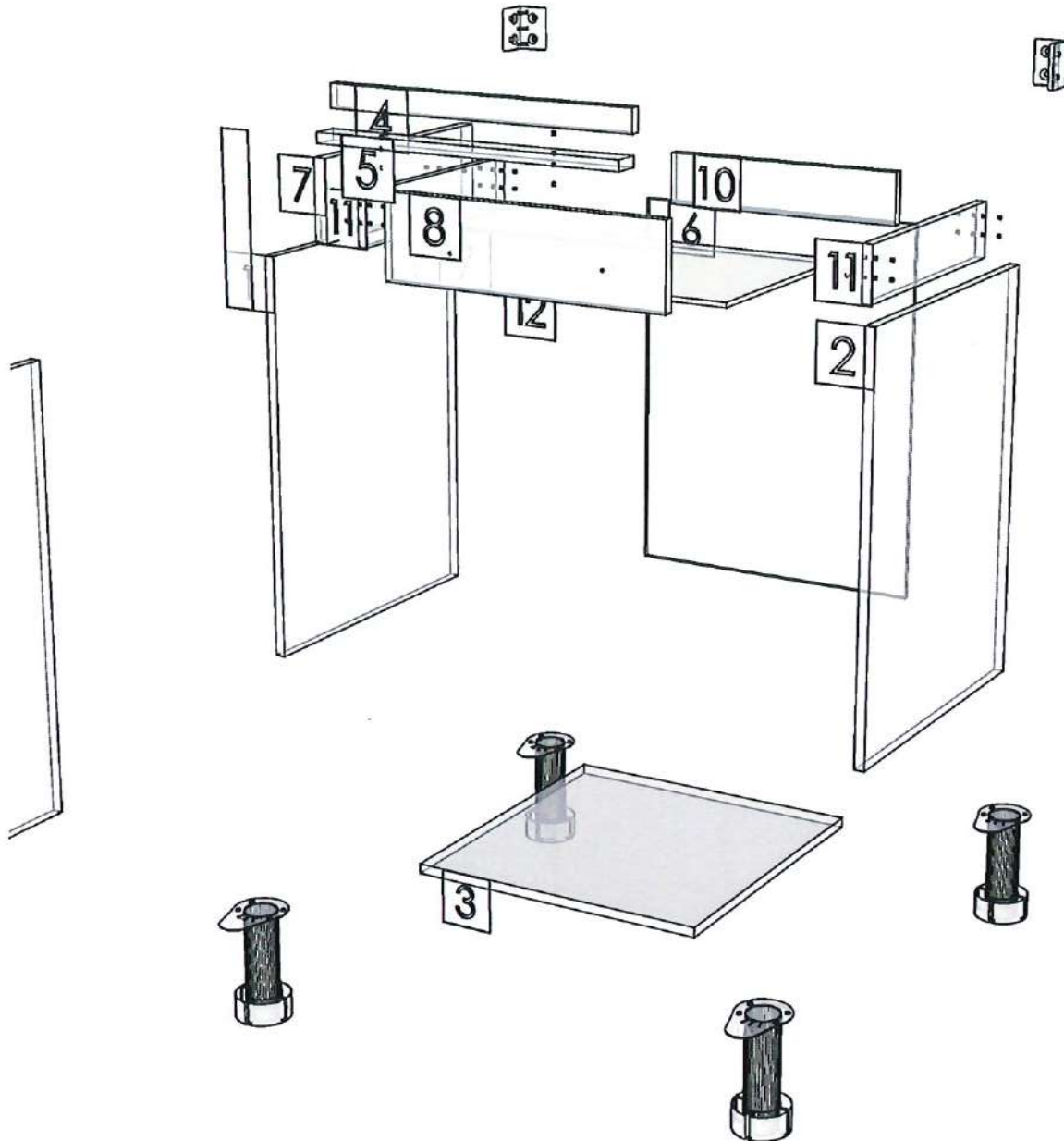


PRODUCT SIZE DRAWING :W600 X D570 X H730

PAGE 1

FR-AT-004 : REV#00 : 25/08/2563

<b>Model</b>	-ROMM_CONVECT_DB60L_1		
<b>Creator</b>	SUTTHI.P	<b>.BCP Name</b>	INDEX_C3D_KITCHENPAE
<b>Reviewer</b>		<b>Order</b>	0002680
<b>Approves</b>	<i>ป. ส. ว. น. 1</i>	<b>Date</b>	02/08/2025



Model	ROMM_CONVECT_DL65R_1		
Creator	SUTTHI.P	.BCP Name	INDEX_C3D_KITCHENPAE
Reviewer		Order	0002520
Approves	ป. งามวิไล	Date	09/06/2025

## ROMM\_CONVECT\_DL65R\_1-650X330X700

### Colour

04.69=PB-E1 4'X8'T LAMINATE WILMIKA TEXT NO. W3125-16  
04.691=ALVIC LUMAX-SPP/4'X10'X18MM.-BLANCO SUPPERMATT(LX8)  
04.692=PB-E1 4'X9'T. LAMINA WILMIKA TEXT NO. W3125-16  
04.693=HPL WILMIKA NO. W3125-16/HPL.TD#9201 PL

### Edge

01.405=1 DWK3125AT  
01.4051=1 WHITE 01016

K1R 160160423

K18R 160161391

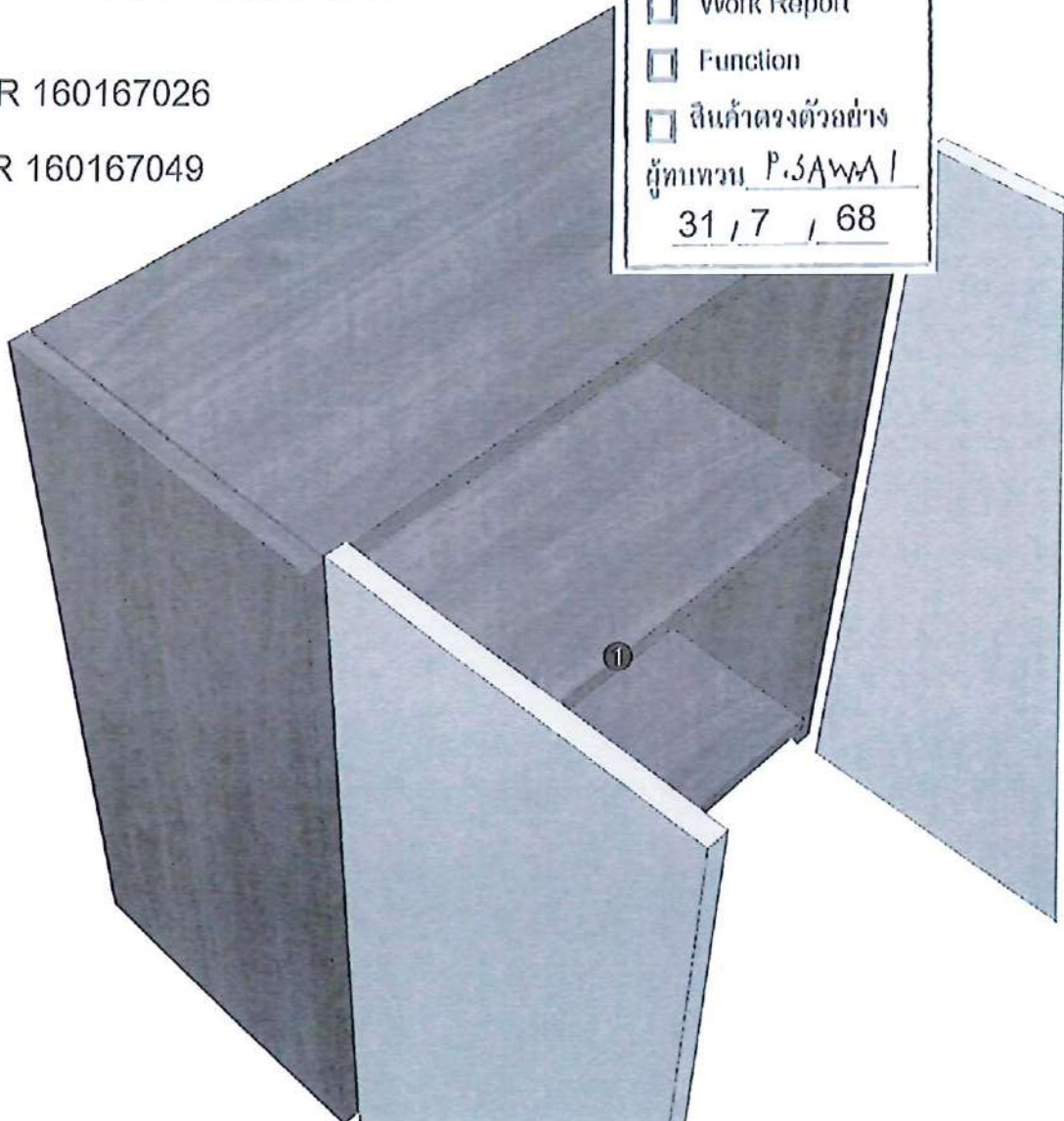


K7R 160167026

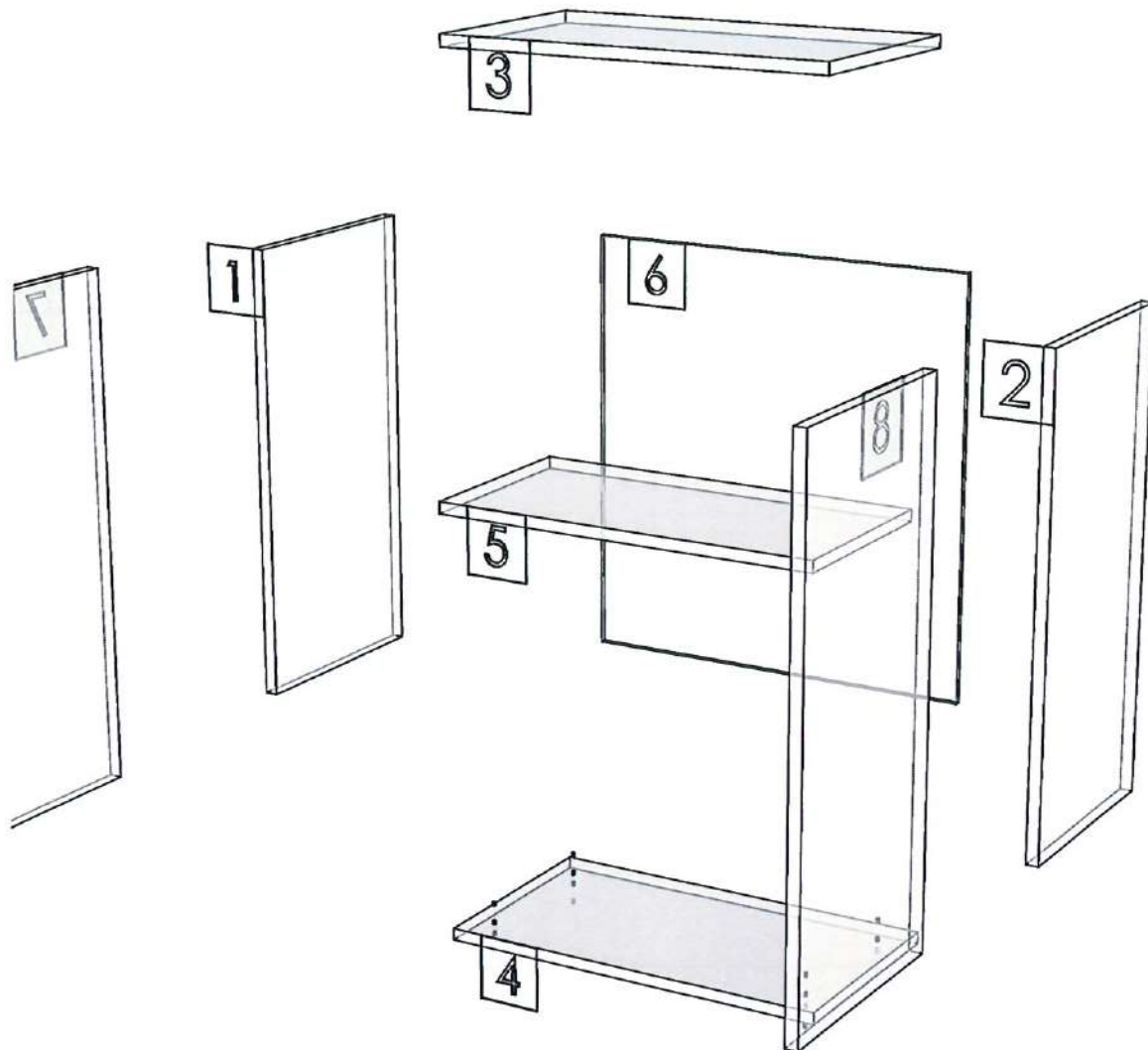


K8R 160167049

R&D REVIEW	
<input checked="" type="checkbox"/>	DWG.Customer
<input type="checkbox"/>	Work Report
<input type="checkbox"/>	Function
<input type="checkbox"/>	สินค้าตรงตัวอย่าง
ผู้ทบทวน P.งามวิไล	
31 / 7 / 68	



<b>Model</b>	-ROMM_CONVECT_DL65R_1		
<b>Creator</b>	SUTTHI.P	<b>.BCP Name</b>	INDEX_C3D_KITCHENPAE
<b>Reviewer</b>		<b>Order</b>	0002520
<b>Approves</b>	<i>ป. Sawai</i>	<b>Date</b>	09/06/2025



<b>Model</b>	ROMM_CONVECT_DB132IK8R_1	<b>.BCP Name</b>	INDEX_C3D_KITCHENPAE
<b>Creator</b>	SUTTHI.P	<b>Order</b>	O002790
<b>Reviewer</b>		<b>Date</b>	18/09/2025
<b>Approves</b>	<i>P. Sawai</i>		

## **ROMM\_CONVECT\_DB132IK8R\_1-1320X550X760**

### **Colour**

04.69=PB-E1 4'X8'T LAMINATE WILMIKA TEXT NO. W3125-16  
04.691=ALVIC LUMAX-SPP/4'X10'X18MM.-BLANCO SUPPERMATT(LX8  
04.692=PB-E1 4'X9'T. LAMINA WILMIKA TEXT NO. W3125-16  
04.693=HPL WILMIKA NO. W3125-16/HPL.TD#9201 PL  
06.01=TEXTURE DEAD STOCK

### **Edge**

01.405=1 DWK3125AT  
01.47=1 WHITE

**K8R 160167049**

### **R&D REVIEW**

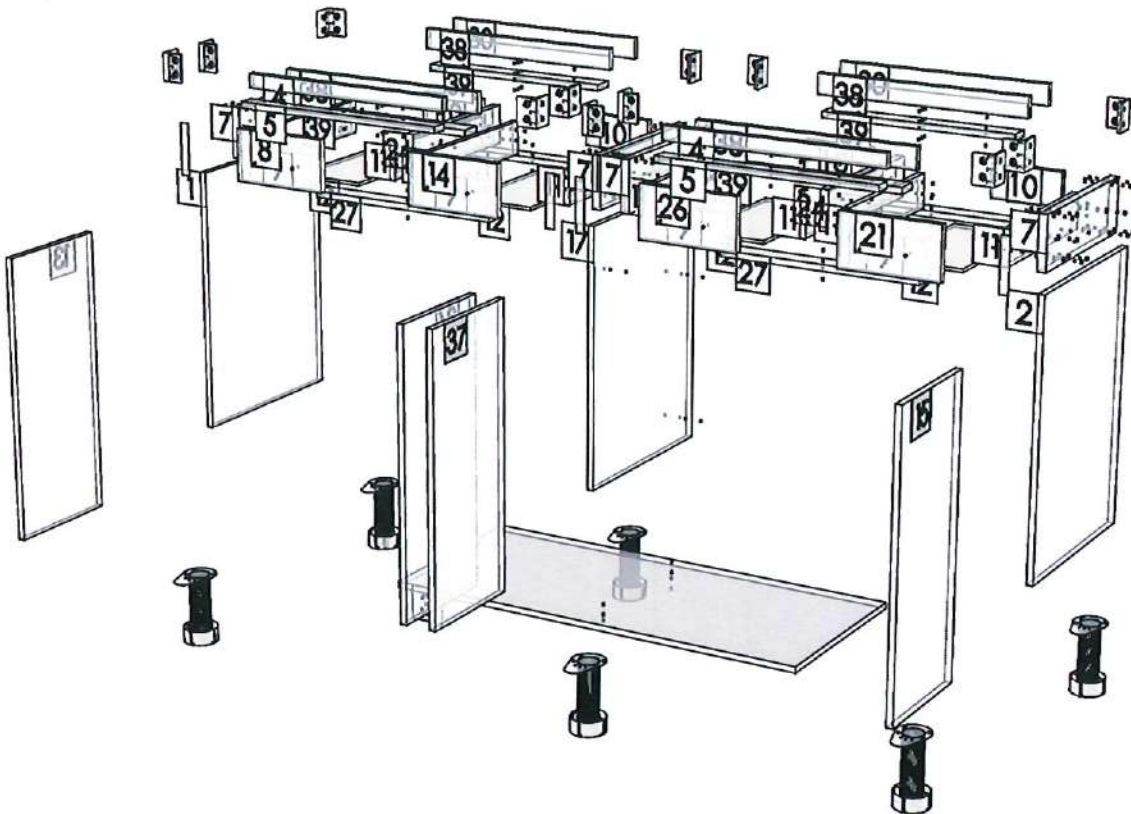
- DWG.Customer
- Work Report
- Function
- สินค้าตรงตัวอย่าง

ผู้ทบทวน P.SAWAI

31 / 10 / 68



<b>Model</b>	-ROMM_CONVECT_DB132IK8R_1		
<b>Creator</b>	SUTTHI.P	<b>.BCP Name</b>	INDEX_C3D_KITCHENPAE
<b>Reviewer</b>		<b>Order</b>	O002790
<b>Approves</b>	ป. SAWA	<b>Date</b>	18/09/2025



<b>Model</b>	ROMM_CONVECT_DLC60_33L_1		
<b>Creator</b>	SUTTHI.P	<b>.BCP Name</b>	INDEX_C3D_KITCHENPAE
<b>Reviewer</b>		<b>Order</b>	0002828
<b>Approves</b>	<i>P. Sawai</i>	<b>Date</b>	03/10/2025

## ROMM\_CONVECT\_DLC60\_33L\_1-600X330X730

**Colour**

04.69=PB-E1 4'X8'T LAMINATE WILMIKA TEXT NO. W3125-16

04.691=ALVIC LUMAX-SPP/4'X10'X18MM.-BLANCO SUPPERMATT(LX8

04.692=PB-E1 4'X9'T. LAMINA WILMIKA TEXT NO. W3125-16

04.693=HPL WILMIKA NO. W3125-16/HPL.TD#9201 PL

**Edge**

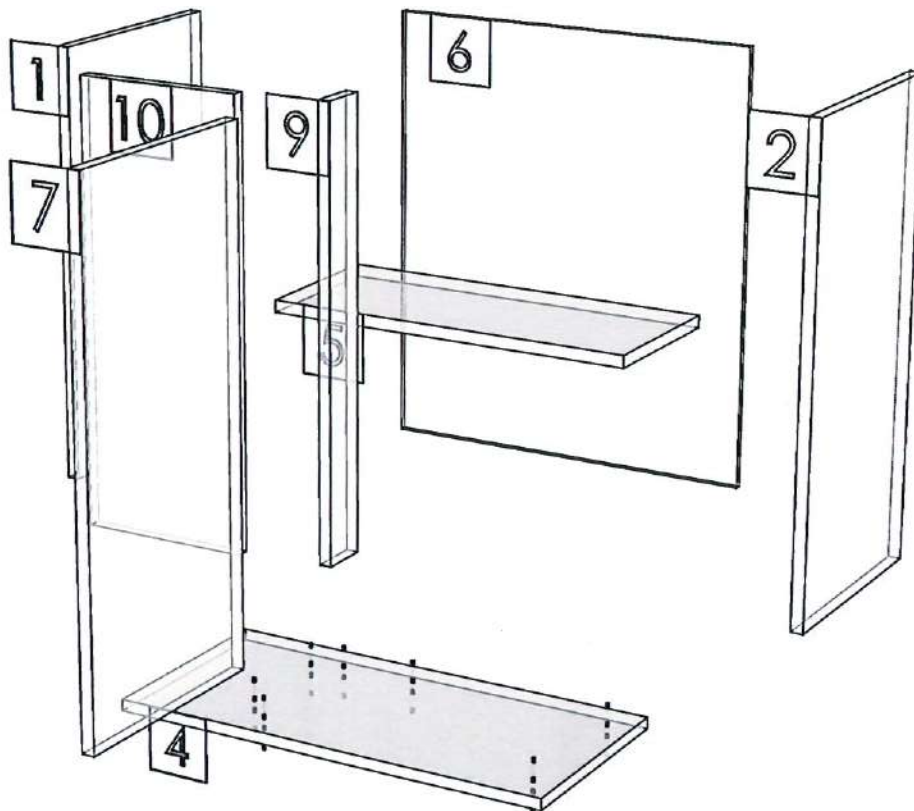
01.405=1 DWK3125AT

01.47=1 WHITE

K8R 160167049

**R&D REVIEW** DWG.Customer Work Report Function สินค้าตรงตัวอย่างผู้ทบทวน *P.SAWAI**31 / 10 / 68*

<b>Model</b>	-ROMM_CONVECT_DLC60_33L_1		
<b>Creator</b>	SUTTHI.P	<b>.BCP Name</b>	INDEX_C3D_KITCHENPAE
<b>Reviewer</b>		<b>Order</b>	0002828
<b>Approves</b>	<i>ป. SAWA</i>	<b>Date</b>	03/10/2025



Model	ROMM_CONVECT_DL60HL_SR_1		
Creator	SUTTHI.P	.BCP Name	INDEX_C3D_KITCHENPAE
Reviewer		Order	O002511
Approves	ป. Sawan	Date	09/06/2025

## ROMM\_CONVECT\_DL60HL\_SR\_1-600X330X1025

### Colour

04.69=PB-E1 4'X8'T LAMINATE WILMIKA TEXT NO. W3125-16

04.691=ALVIC LUMAX-SPP/4'X10'X18MM.-BLANCO SUPPERMATT(LX8

04.692=PB-E1 4'X9'T. LAMINA WILMIKA TEXT NO. W3125-16

04.693=HPL WILMIKA NO. W3125-16/HPL.TD#9201 PL

### Edge

01.405=1 DWK3125AT

01.4051=1 WHITE 01016

K2R 160160436  
K3R 160161323  
K13L 160161368  
K14L 160152715

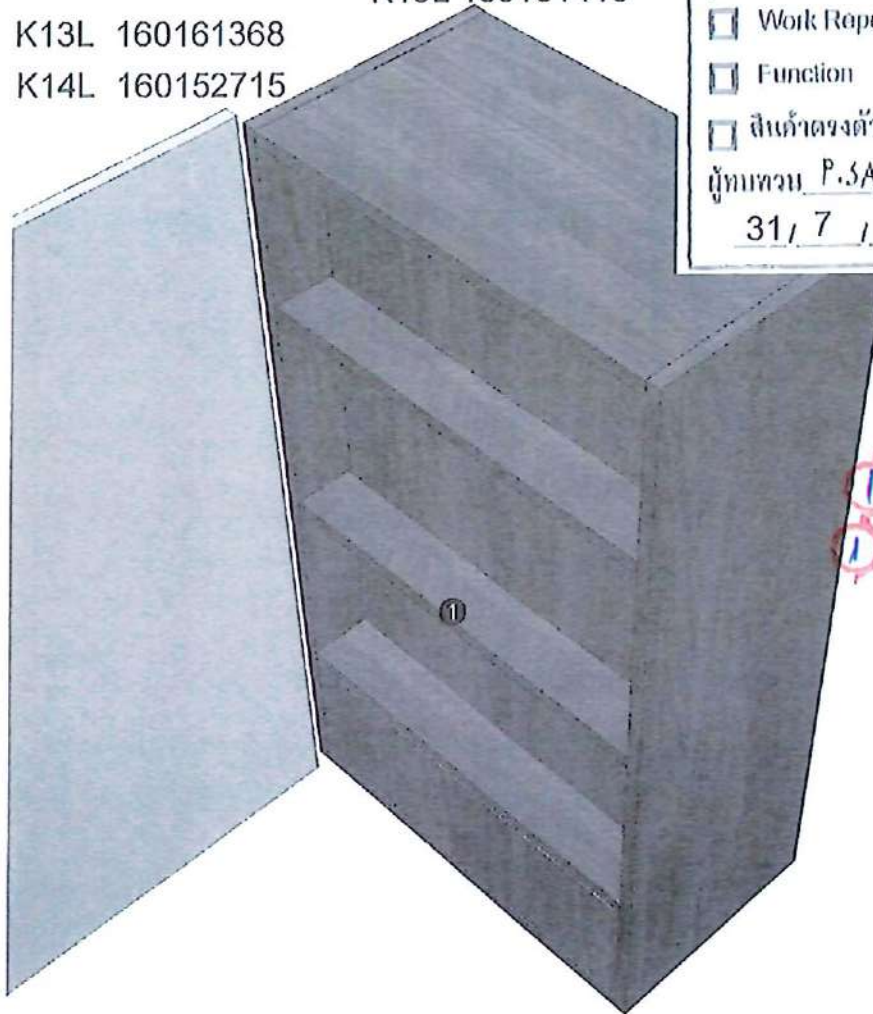
K15R 160152736  
K18R 160161391  
K19L 160161410

### R&D REVIEW

- DWG.Customer
- Work Report
- Function
- สืบเสาะตรงตัวอย่าง

ผู้ทบทวน P.SAWAN /

31 / 7 / 68

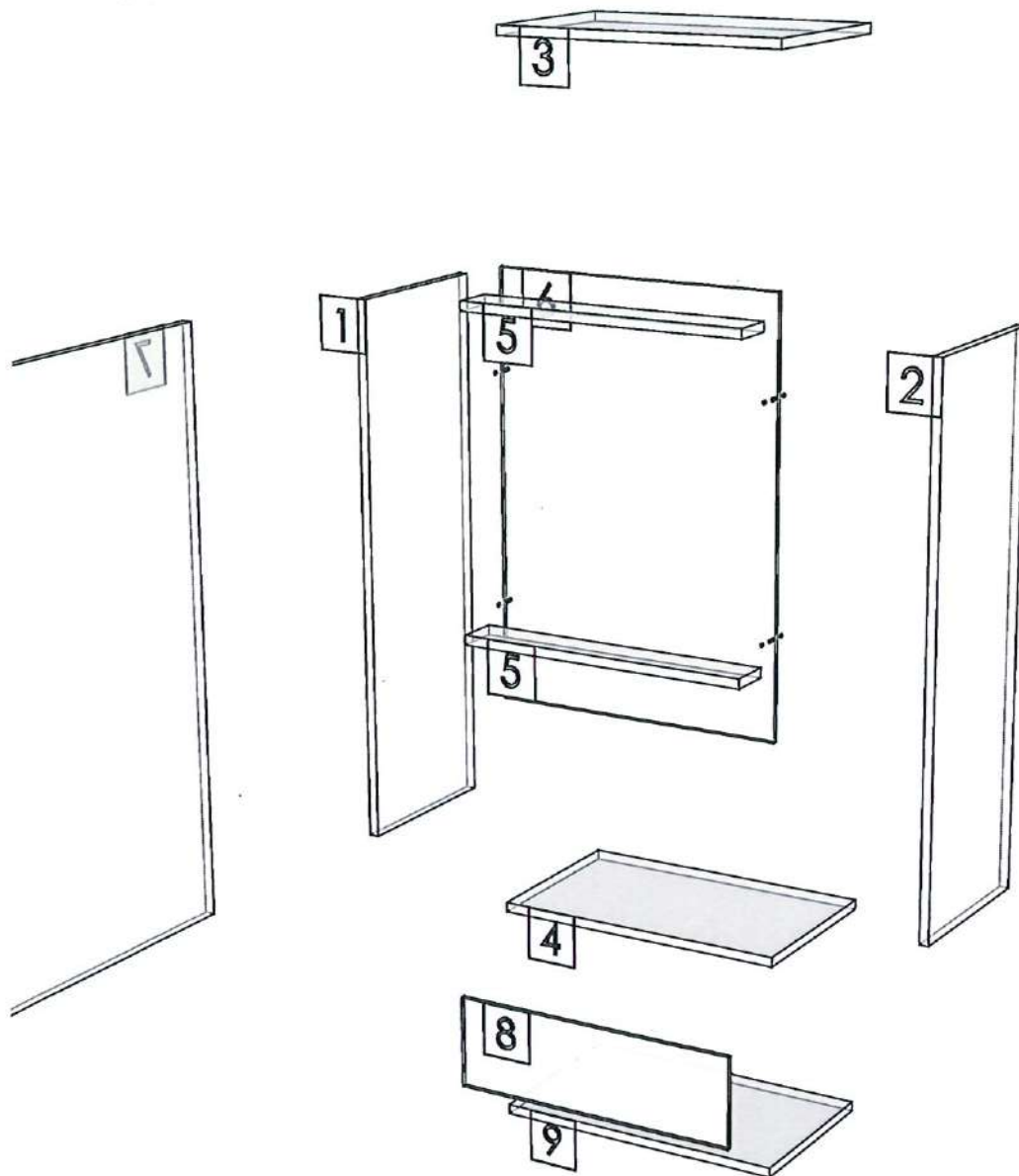


K7R 160167026

K8R 160167049

K12R 160167080

<b>Model</b>	-ROMM_CONVECT_DL60HL_SR_1		
<b>Creator</b>	SUTTHI.P	<b>.BCP Name</b>	INDEX_C3D_KITCHENPAE
<b>Reviewer</b>		<b>Order</b>	O002511
<b>Approves</b>	<i>P. SAWA</i>	<b>Date</b>	09/06/2025



<b>Model</b>	ROMM_CONVECT_DL605R_1		
<b>Creator</b>	SUTTHI.P	<b>.BCP Name</b>	INDEX_C3D_KITCHENPAE
<b>Reviewer</b>		<b>Order</b>	O002517
<b>Approves</b>	พ. Sawal	<b>Date</b>	09/06/2025

## ROMM\_CONVECT\_DL605R\_1-605X330X680

**Colour**

04.69=PB-E1 4'X8'T LAMINATE WILMIKA TEXT NO. W3125-16

04.691=ALVIC LUMAX-SPP/4'X10'X18MM.-BLANCO SUPPERMATT(LX8

04.692=PB-E1 4'X9'T. LAMINA WILMIKA TEXT NO. W3125-16

04.693=HPL WILMIKA NO. W3125-16/HPL.TD#9201 PL

**Edge**

01.405=1 DWK3125AT

01.4051=1 WHITE 01016

K1R 160160423

K2R 160160436

K3R 160161323

K10R 160161347

K8R 160167049

K11L 160152691

K18R 160161391

K19L 160161410

**R&D REVIEW**

DWG.Customer

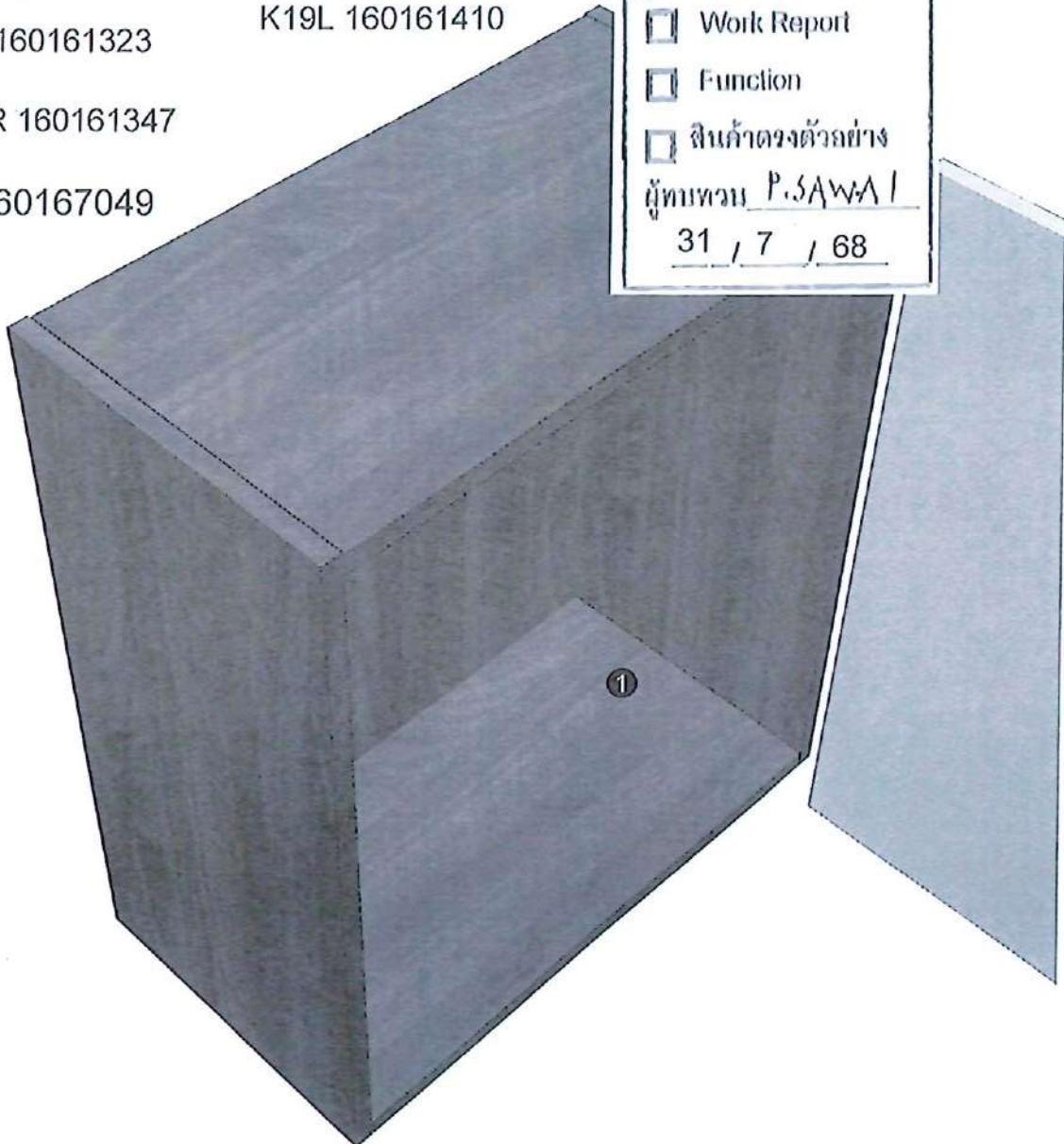
Work Report

Function

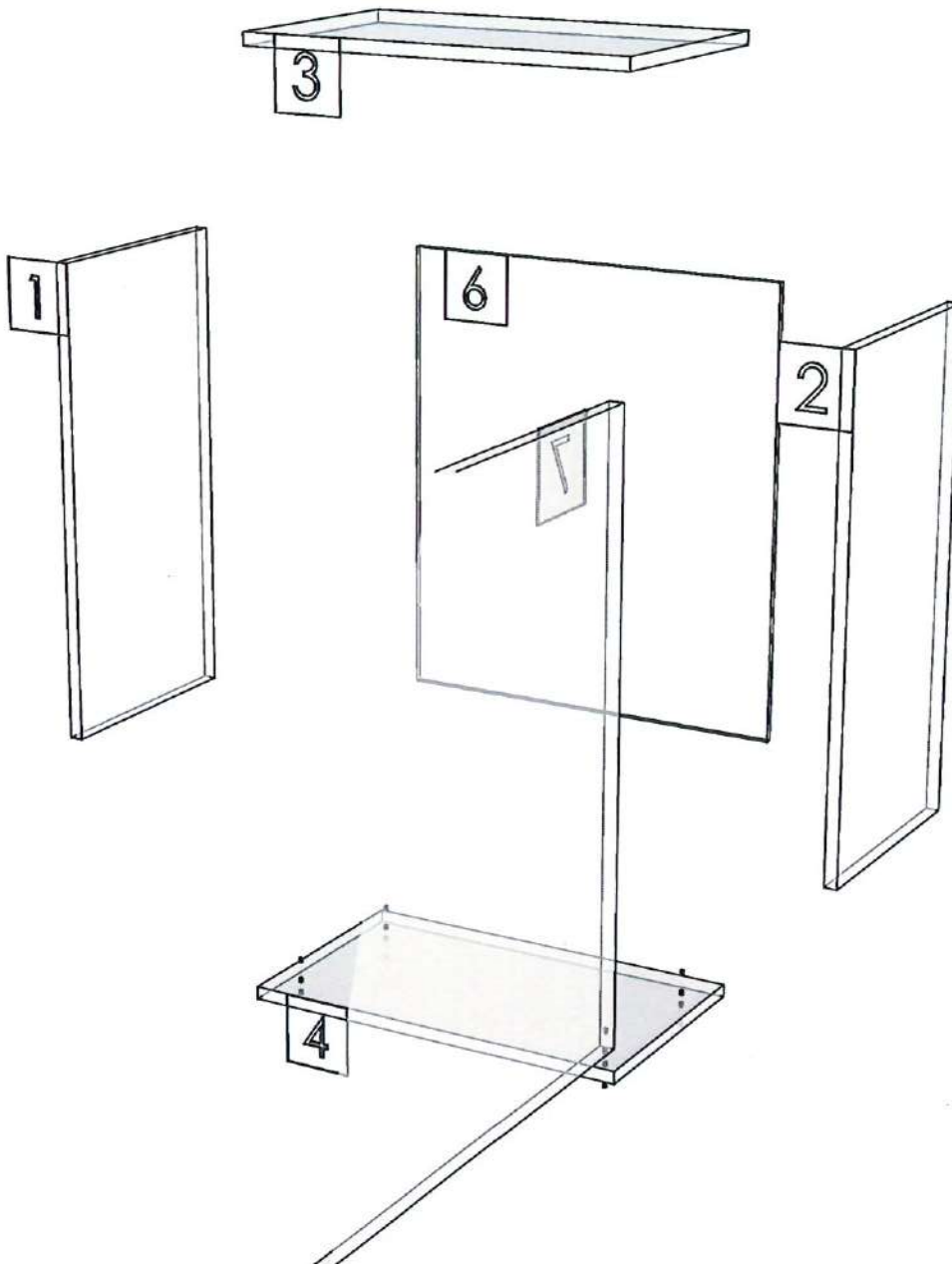
สิ้นค้าตรงตัวอย่าง

ผู้ทบทวน P.SAWAL

31 / 7 / 68



<b>Model</b>	-ROMM_CONVECT_DL605R_1		
<b>Creator</b>	SUTTHI.P	<b>.BCP Name</b>	INDEX_C3D_KITCHENPAE
<b>Reviewer</b>		<b>Order</b>	O002517
<b>Approves</b>	พ. SAWA	<b>Date</b>	09/06/2025



<b>Model</b>	ROMM_CONVECT_DL60R_1	<b>.BCP Name</b>	INDEX_C3D_KITCHENPAE
<b>Creator</b>	SUTTHI.P	<b>Order</b>	O002820
<b>Reviewer</b>		<b>Date</b>	01/10/2025
<b>Approves</b>	<i>P. Sawai</i>		

## **ROMM\_CONVECT\_DL60R\_1-600X330X680**

### Colour

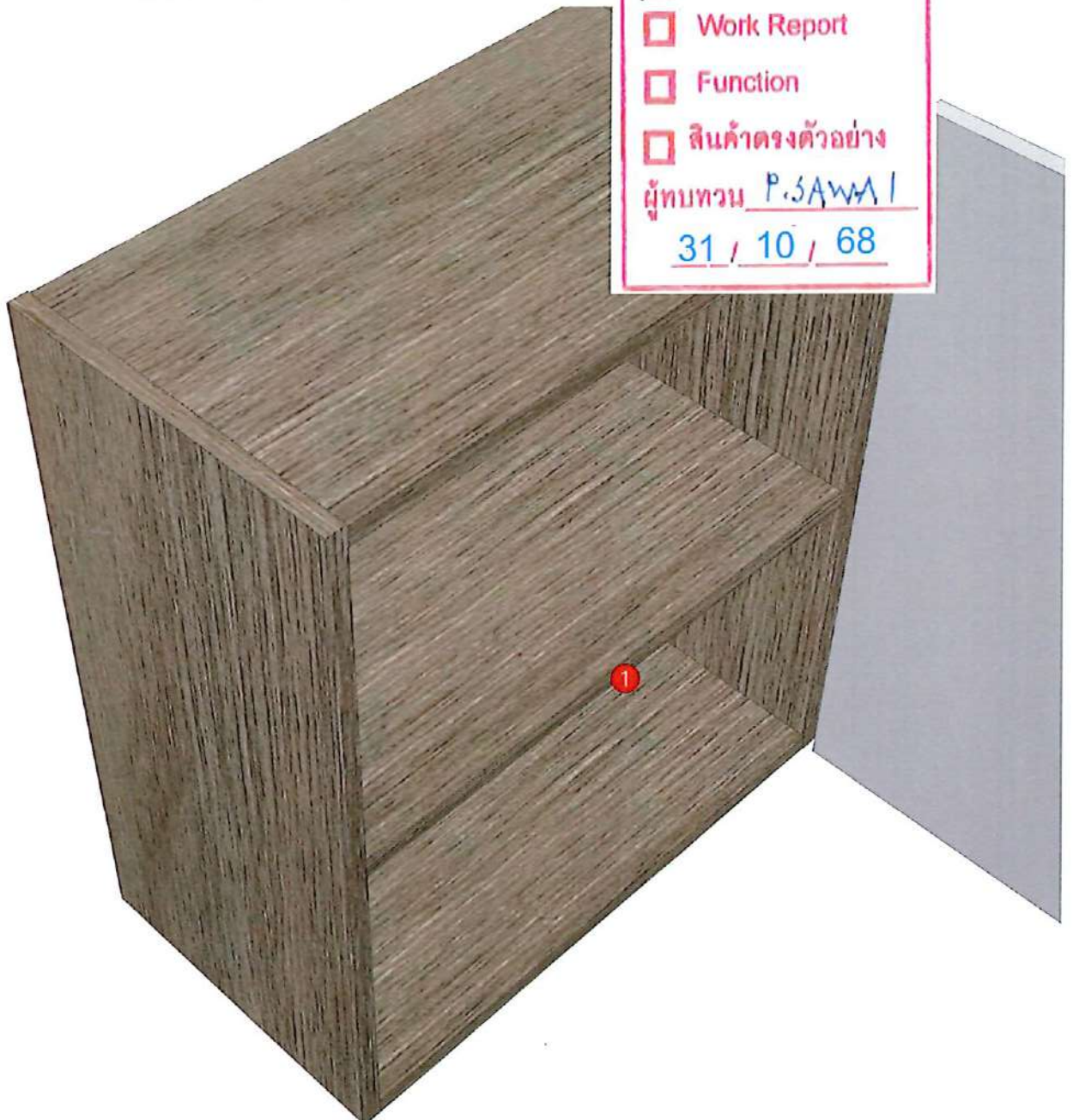
04.69=PB-E1 4'X8'T LAMINATE WILMIKA TEXT NO. W3125-16  
04.691=ALVIC LUMAX-SPP/4'X10'X18MM.-BLANCO SUPPERMATT(LX8  
04.692=PB-E1 4'X9'T. LAMINA WILMIKA TEXT NO. W3125-16  
04.693=HPL WILMIKA NO. W3125-16/HPL.TD#9201 PL  
05.01=ML WHITE VM1012 18/18

### Edge

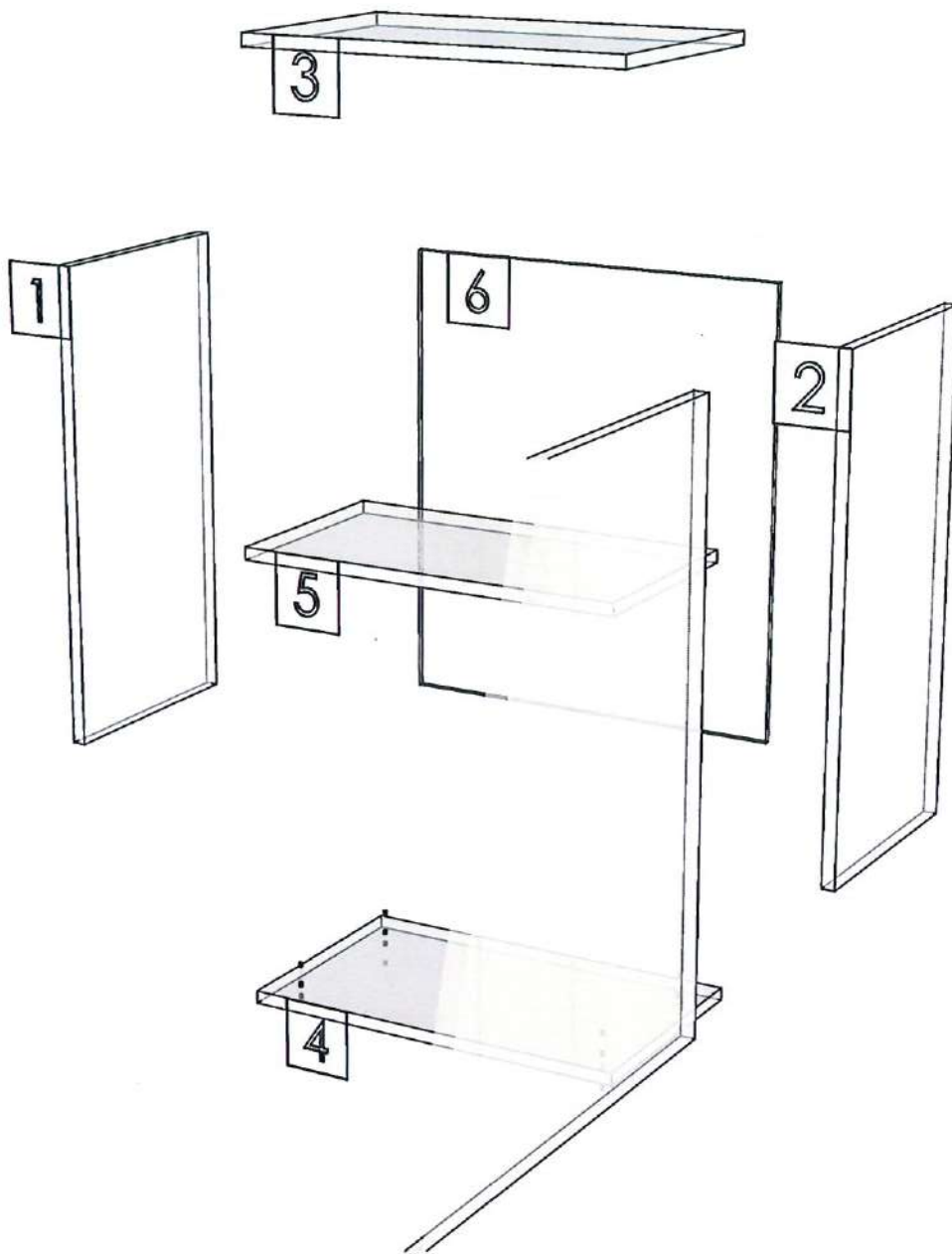
01.405=1 DWK3125AT  
01.47=1 WHITE

**K8R 160167049**

<b>R&amp;D REVIEW</b>	
<input checked="" type="checkbox"/>	DWG.Customer
<input type="checkbox"/>	Work Report
<input type="checkbox"/>	Function
<input type="checkbox"/>	สินค้าตรงตัวอย่าง
ผู้ทบทวน <u>P.SAWAI</u>	
<u>31 / 10 / 68</u>	



<b>Model</b>	-ROMM_CONVECT_DL60R_1		
<b>Creator</b>	SUTTHI.P	<b>.BCP Name</b>	INDEX_C3D_KITCHENPAE
<b>Reviewer</b>		<b>Order</b>	0002820
<b>Approves</b>	<i>พ. Sawai</i>	<b>Date</b>	01/10/2025



<b>Model</b>	ROMM_CONVECT_DL72R_1		
<b>Creator</b>	SUTTHI.P	<b>.BCP Name</b>	INDEX_C3D_KITCHENPAE
<b>Reviewer</b>		<b>Order</b>	O002822
<b>Approves</b>	<i>P. SAWA</i>	<b>Date</b>	01/10/2025

## ROMM\_CONVECT\_DL72R\_1-720X330X700

### Colour

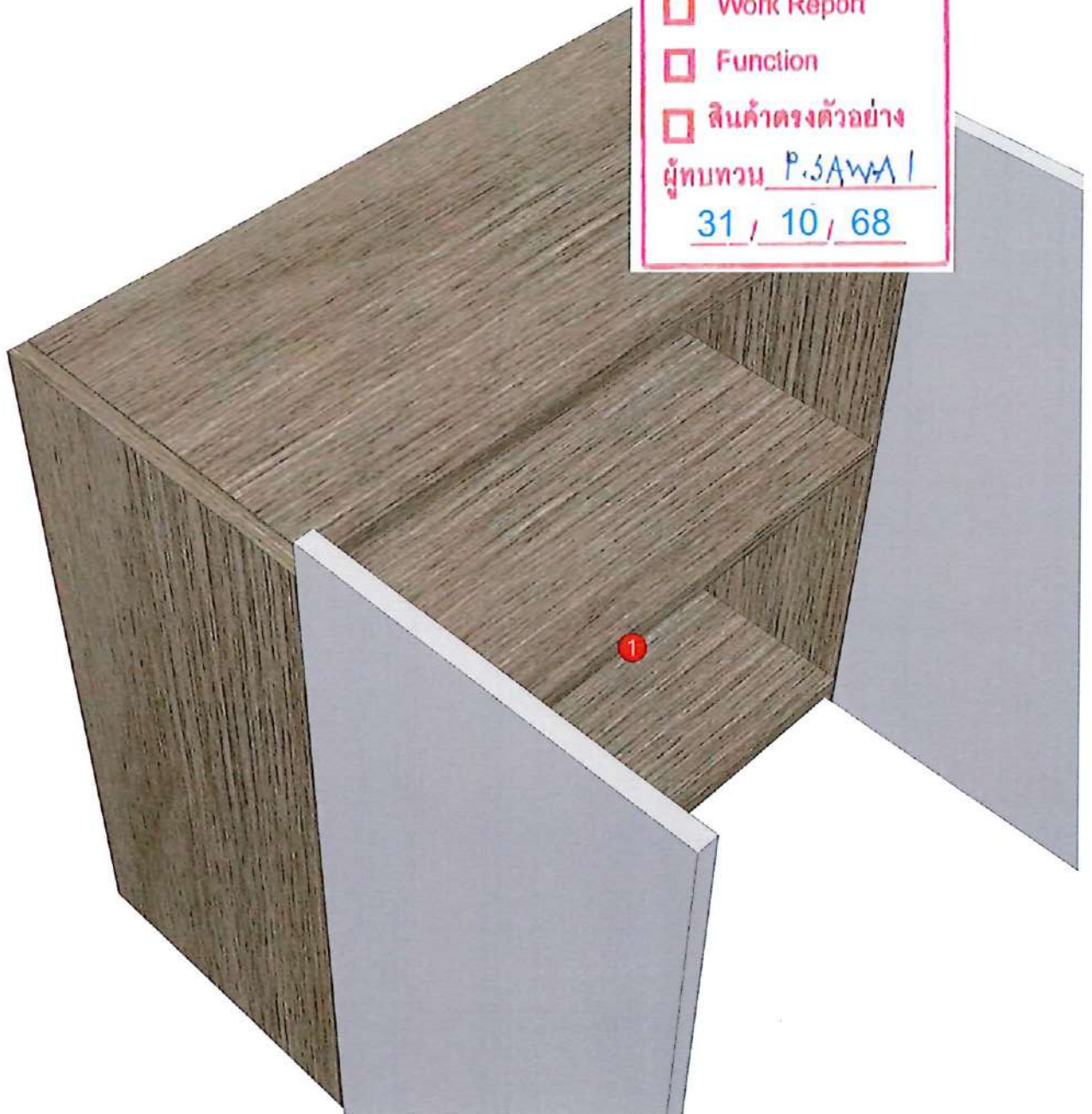
04.69=PB-E1 4'X8'T LAMINATE WILMIKA TEXT NO. W3125-16  
04.691=ALVIC LUMAX-SPP/4'X10'X18MM.-BLANCO SUPPERMATT(LX8  
04.692=PB-E1 4'X9'T. LAMINA WILMIKA TEXT NO. W3125-16  
04.693=HPL WILMIKA NO. W3125-16/HPL.TD#9201 PL

### Edge

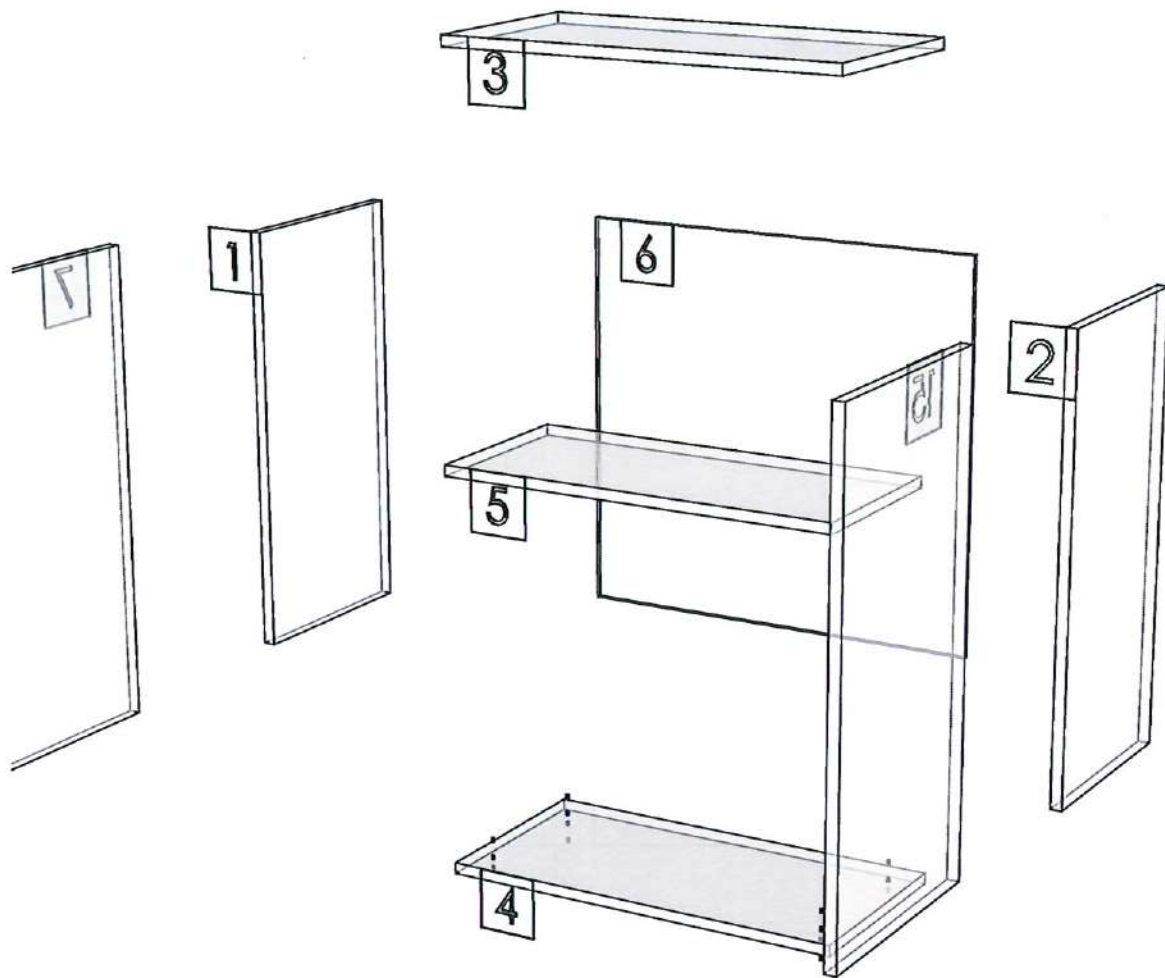
01.405=1 DWK3125AT  
01.47=1 WHITE

K8R 160167049

<b>R&amp;D REVIEW</b>	
<input checked="" type="checkbox"/>	DWG.Customer
<input type="checkbox"/>	Work Report
<input type="checkbox"/>	Function
<input type="checkbox"/>	สินค้าตรงตัวอย่าง
ผู้ทบทวน <u>P.SAWA</u>	
<u>31 / 10 / 68</u>	



<b>Model</b>	-ROMM_CONVECT_DL72R_1		
<b>Creator</b>	SUTTHI.P	<b>.BCP Name</b>	INDEX_C3D_KITCHENPAE
<b>Reviewer</b>		<b>Order</b>	O002822
<b>Approves</b>	P. SAWA	<b>Date</b>	01/10/2025



Model	ROMM_CONVECT_DL70L_1		
Creator	SUTTHI.P	.BCP Name	INDEX_C3D_KITCHENPAE
Reviewer		Order	O002521
Approves	ป. ๕๗๗/๑	Date	09/06/2025

## ROMM\_CONVECT\_DL70L\_1-700X330X700

### Colour

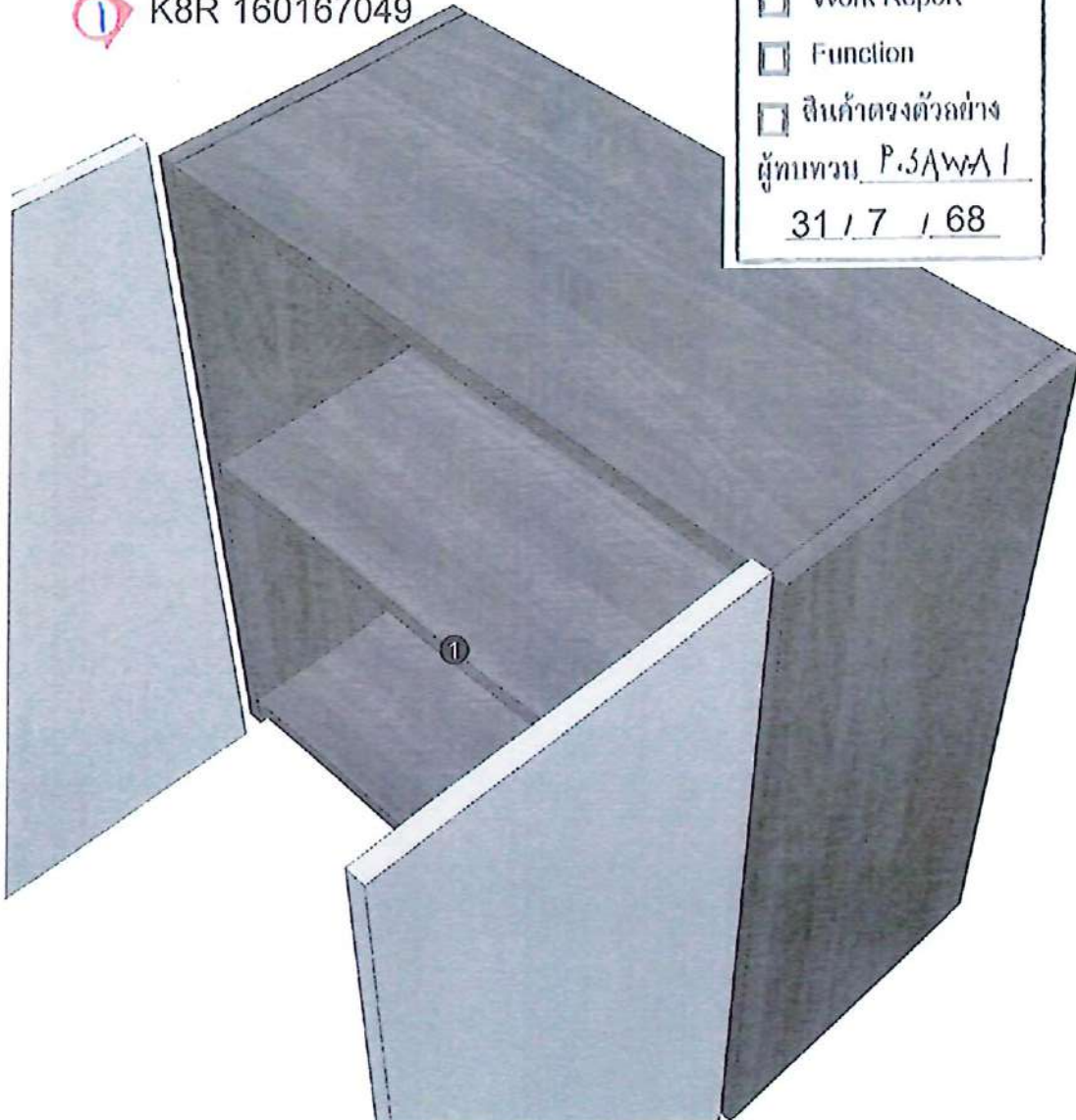
04.69=PB-E1 4'X8'T LAMINATE WILMIKA TEXT NO. W3125-16  
04.691=ALVIC LUMAX-SPP/4'X10'X18MM.-BLANCO SUPPERMATT(LX8  
04.692=PB-E1 4'X9'T. LAMINA WILMIKA TEXT NO. W3125-16  
04.693=HPL WILMIKA NO. W3125-16/HPL.TD#9201 PL

### Edge

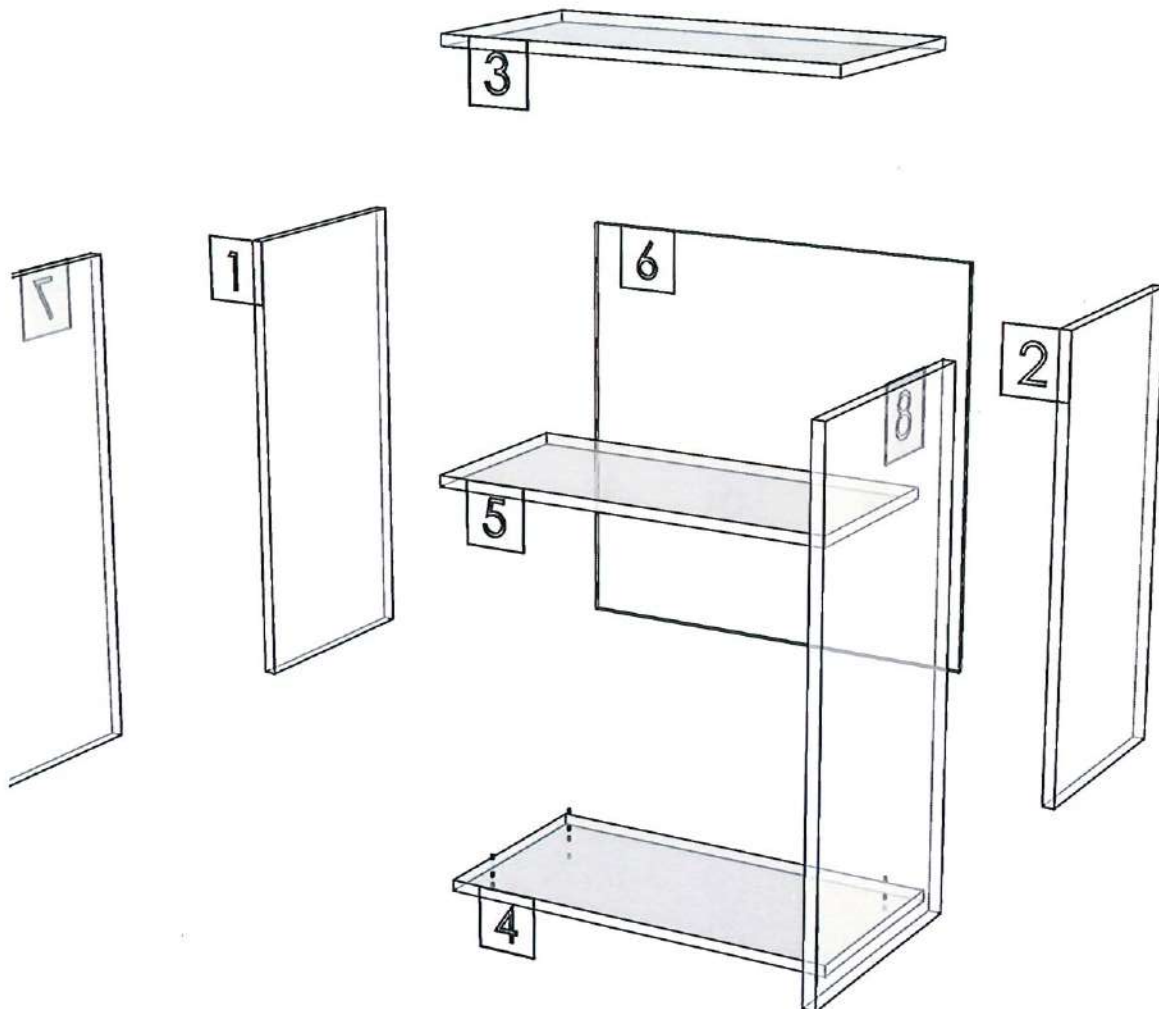
01.405=1 DWK3125AT  
01.4051=1 WHITE 01016

K11L 160152691  
 K7R 160167026  
 K8R 160167049

R&D REVIEW	
<input checked="" type="checkbox"/>	DWG.Customer
<input type="checkbox"/>	Work Report
<input type="checkbox"/>	Function
<input type="checkbox"/>	สินค้าตรงตัวอย่าง
ผู้ทบทวน <u>ป.๕๗๗/๑</u>	
<u>31 / 7 / 68</u>	



<b>Model</b>	-ROMM_CONVECT_DL70L_1		
<b>Creator</b>	SUTTHI.P	<b>.BCP Name</b>	INDEX_C3D_KITCHENPAE
<b>Reviewer</b>		<b>Order</b>	O002521
<b>Approves</b>	พ. SAWA	<b>Date</b>	09/06/2025



<b>Model</b>	ROMM_CONVECT_DL65R_1		
<b>Creator</b>	SUTTHI.P	<b>.BCP Name</b>	INDEX_C3D_KITCHENPAE
<b>Reviewer</b>		<b>Order</b>	O002520
<b>Approves</b>	ป. Sawal	<b>Date</b>	09/06/2025

**ROMM\_CONVECT\_DL65R\_1-650X330X700**

**Colour**


04.69=PB-E1 4'X8'T LAMINATE WILMIKA TEXT NO. W3125-16  
 04.691=ALVIC LUMAX-SPP/4'X10'X18MM.-BLANCO SUPPERMATT(LX8  
 04.692=PB-E1 4'X9'T. LAMINA WILMIKA TEXT NO. W3125-16  
 04.693=HPL WILMIKA NO. W3125-16/HPL.TD#9201 PL

**Edge**

01.405=1 DWK3125AT  
 01.4051=1 WHITE 01016

K1R 160160423

K18R 160161391

 K7R 160167026

 K8R 160167049

**R&D REVIEW**

DWG. Customer

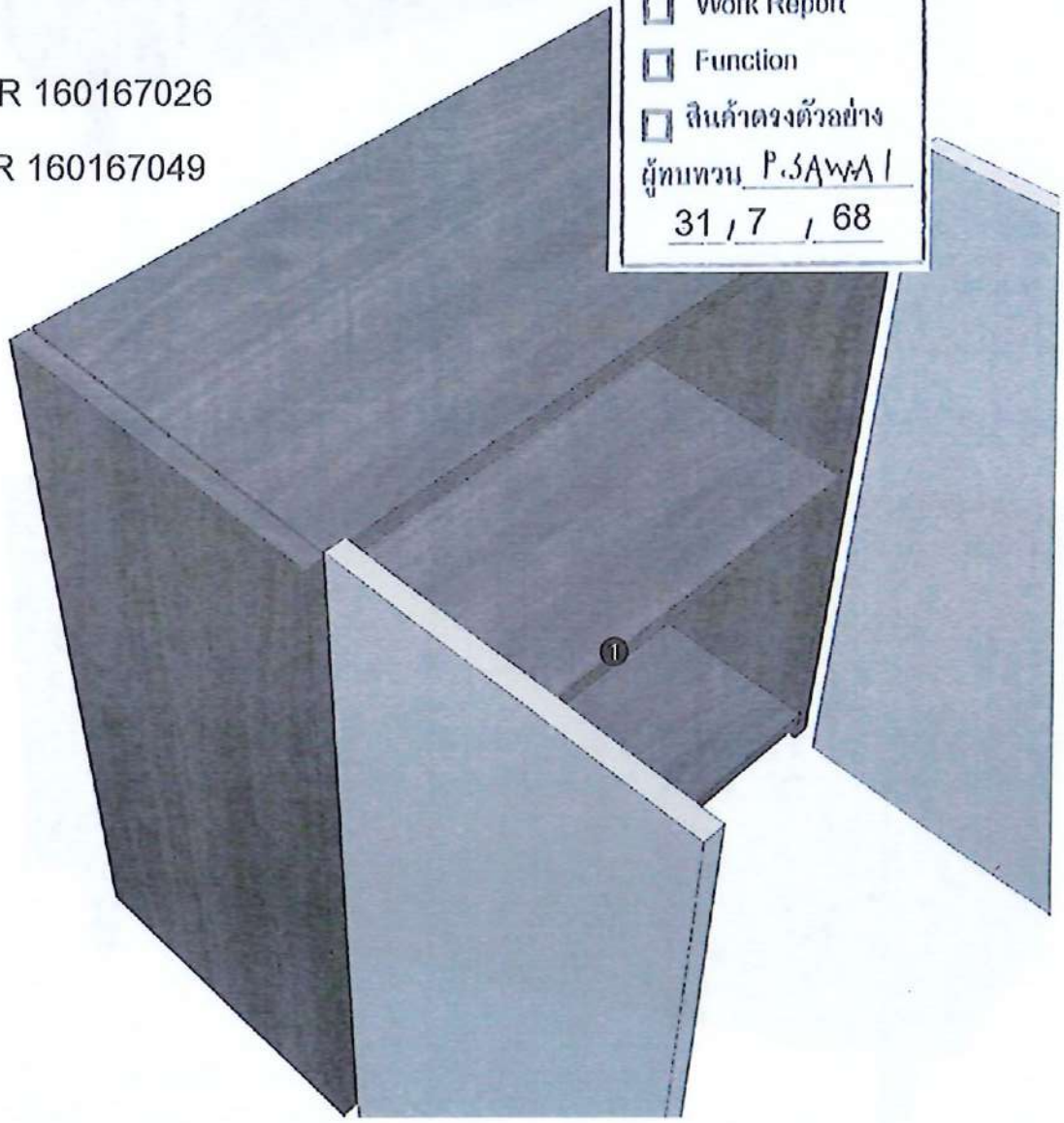
Work Report

Function

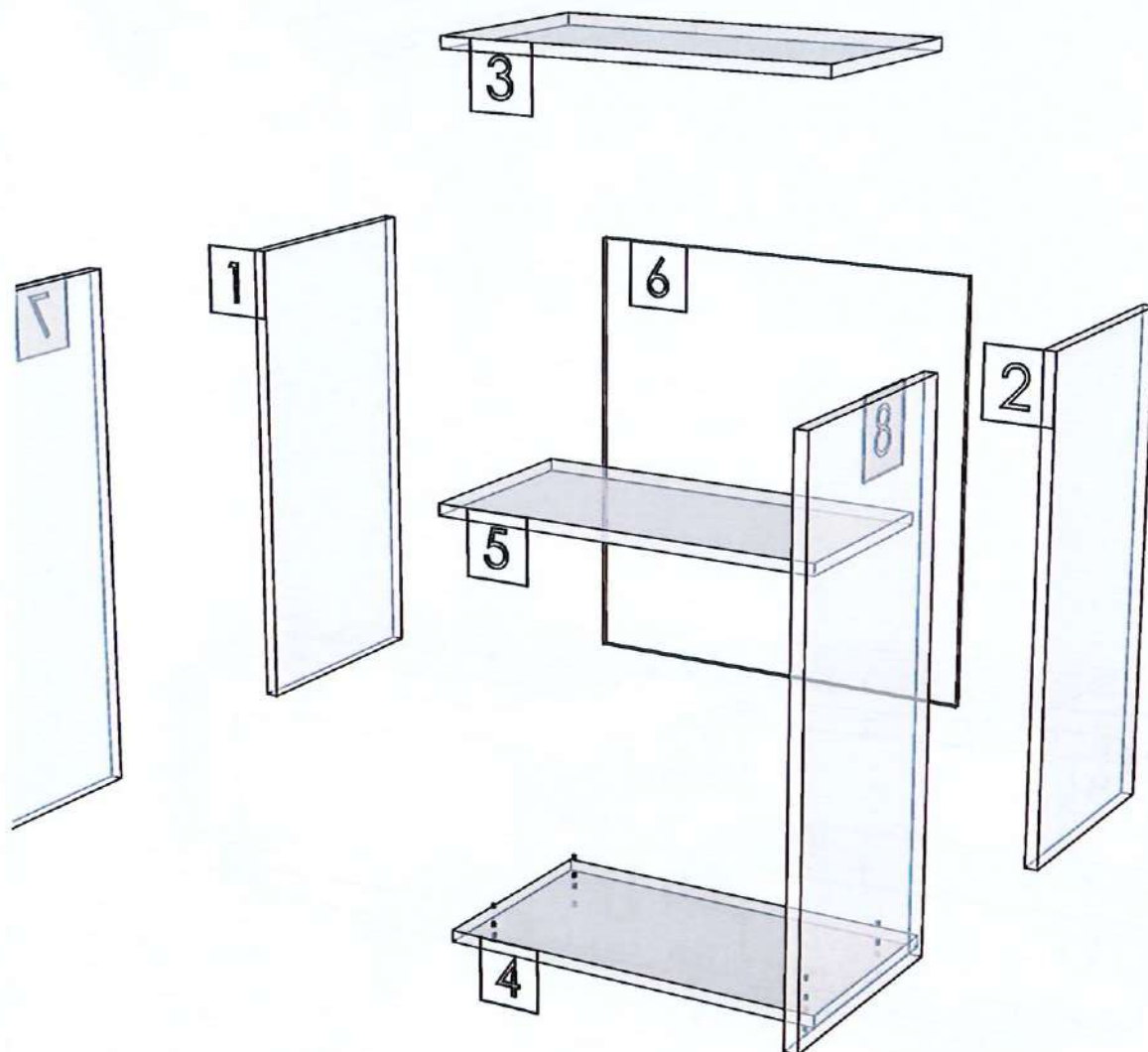
สินค้าตรงตัวอย่าง

ผู้ทบทวน P.SAWAL

31 / 7 / 68



<b>Model</b>	-ROMM_CONVECT_DL65R_1		
<b>Creator</b>	SUTTHI.P	<b>.BCP Name</b>	INDEX_C3D_KITCHENPAE
<b>Reviewer</b>		<b>Order</b>	O002520
<b>Approves</b>	<i>P. SAWA</i>	<b>Date</b>	09/06/2025



<b>Model</b>	ROMM_CONVECT_DLC120_1		
<b>Creator</b>	SUTTHI.P	<b>.BCP Name</b>	INDEX_C3D_KITCHENPAE
<b>Reviewer</b>		<b>Order</b>	O002813
<b>Approves</b>	P. SAWA I	<b>Date</b>	01/10/2025

## ROMM\_CONVECT\_DLC120\_1-1200X330X680

### Colour

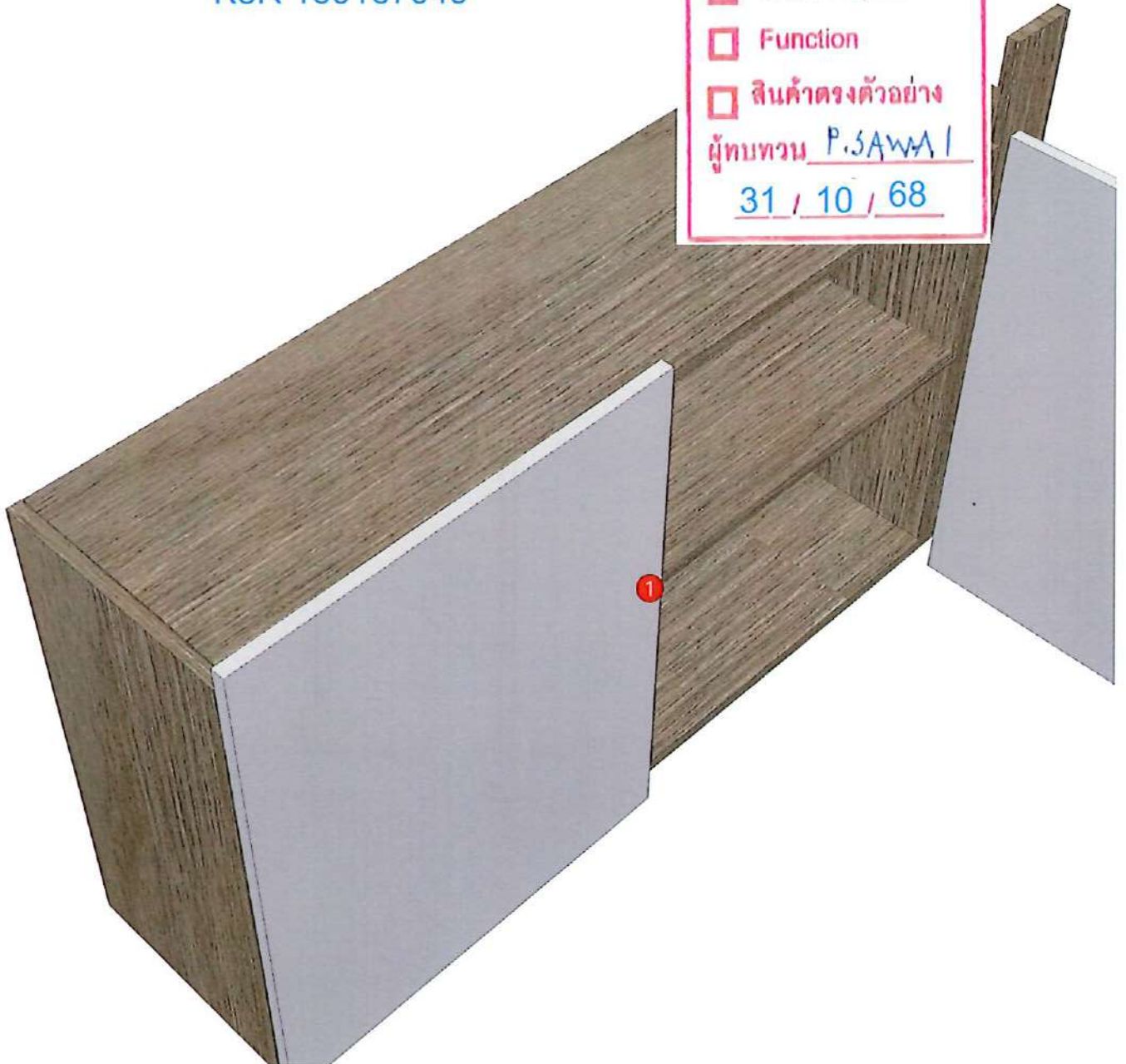
04.69=PB-E1 4'X8'T LAMINATE WILMIKA TEXT NO. W3125-16  
04.691=ALVIC LUMAX-SPP/4'X10'X18MM.-BLANCO SUPPERMATT(LX8  
04.692=PB-E1 4'X9'T. LAMINA WILMIKA TEXT NO. W3125-16  
04.693=HPL WILMIKA NO. W3125-16/HPL.TD#9201 PL

### Edge

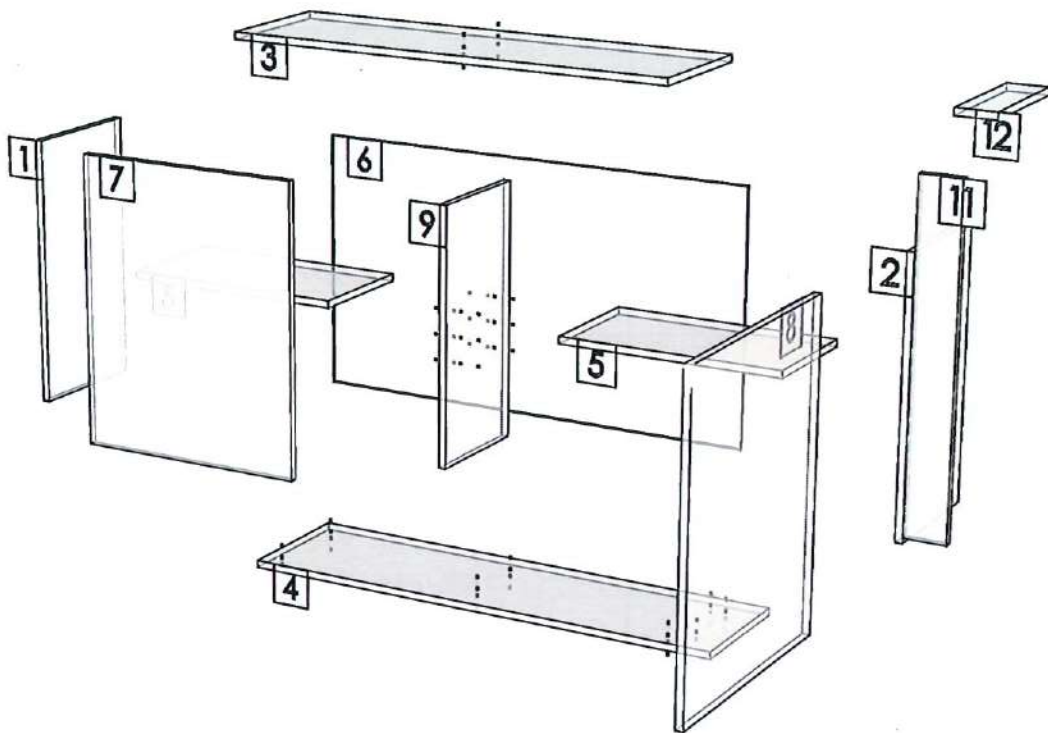
01.405=1 DWK3125AT  
01.47=1 WHITE

K8R 160167049

<b>R&amp;D REVIEW</b>	
<input checked="" type="checkbox"/>	DWG.Customer
<input type="checkbox"/>	Work Report
<input type="checkbox"/>	Function
<input type="checkbox"/>	สินค้าตรงตัวอย่าง
ผู้ทบทวน <u>P.SAWA I</u>	
<u>31 / 10 / 68</u>	



<b>Model</b>	-ROMM_CONVECT_DLC120_1		
<b>Creator</b>	SUTTHI.P	<b>.BCP Name</b>	INDEX_C3D_KITCHENPAE
<b>Reviewer</b>		<b>Order</b>	O002813
<b>Approves</b>	<i>พ. Sawai</i>	<b>Date</b>	01/10/2025



<b>Model</b>	ROMM_CONVECT_LED_730L_1		
<b>Creator</b>	SUTTHI.P	<b>.BCP Name</b>	INDEX_C3D_KITCHENPAE
<b>Reviewer</b>		<b>Order</b>	O002920
<b>Approves</b>	P. SAWA	<b>Date</b>	14/10/2025

## ROMM\_CONVECT\_LED\_730L\_1-730X310X18

**Colour**

04.69=PB-E1 4'X8'T LAMINATE WILMIKA TEXT NO. W3125-16  
04.691=ALVIC LUMAX-SPP/4'X10'X18MM.-BLANCO SUPPERMATT(LX8

**Edge**

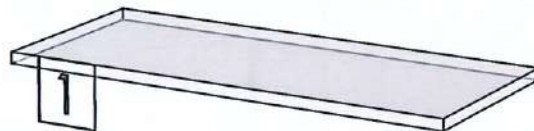
01.405=1 DWK3125AT  
01.4051=1 WHITE 01016

K8R 160167049

<b>R&amp;D REVIEW</b>	
<input checked="" type="checkbox"/>	DWG.Customer
<input type="checkbox"/>	Work Report
<input type="checkbox"/>	Function
<input type="checkbox"/>	สินค้าตรงตัวอย่าง
ผู้ทบทวน <u>P.SAWA</u>	
<u>31 / 10 / 68</u>	



<b>Model</b>	-ROMM_CONVECT_LED_730L_1		
<b>Creator</b>	SUTTHI.P	<b>.BCP Name</b>	INDEX_C3D_KITCHENPAE
<b>Reviewer</b>		<b>Order</b>	O002920
<b>Approves</b>	<i>P. SAWA</i>	<b>Date</b>	14/10/2025



<b>Model</b>	ROMM_CONVECT_LED_1905_1		
<b>Creator</b>	SUTTHI.P	<b>.BCP Name</b>	INDEX_C3D_KITCHENPAE
<b>Reviewer</b>		<b>Order</b>	O002912
<b>Approves</b>	<i>P. Sawai</i>	<b>Date</b>	14/10/2025

## ROMM\_CONVECT\_LED\_1905\_1-1905X310X18

**Colour**

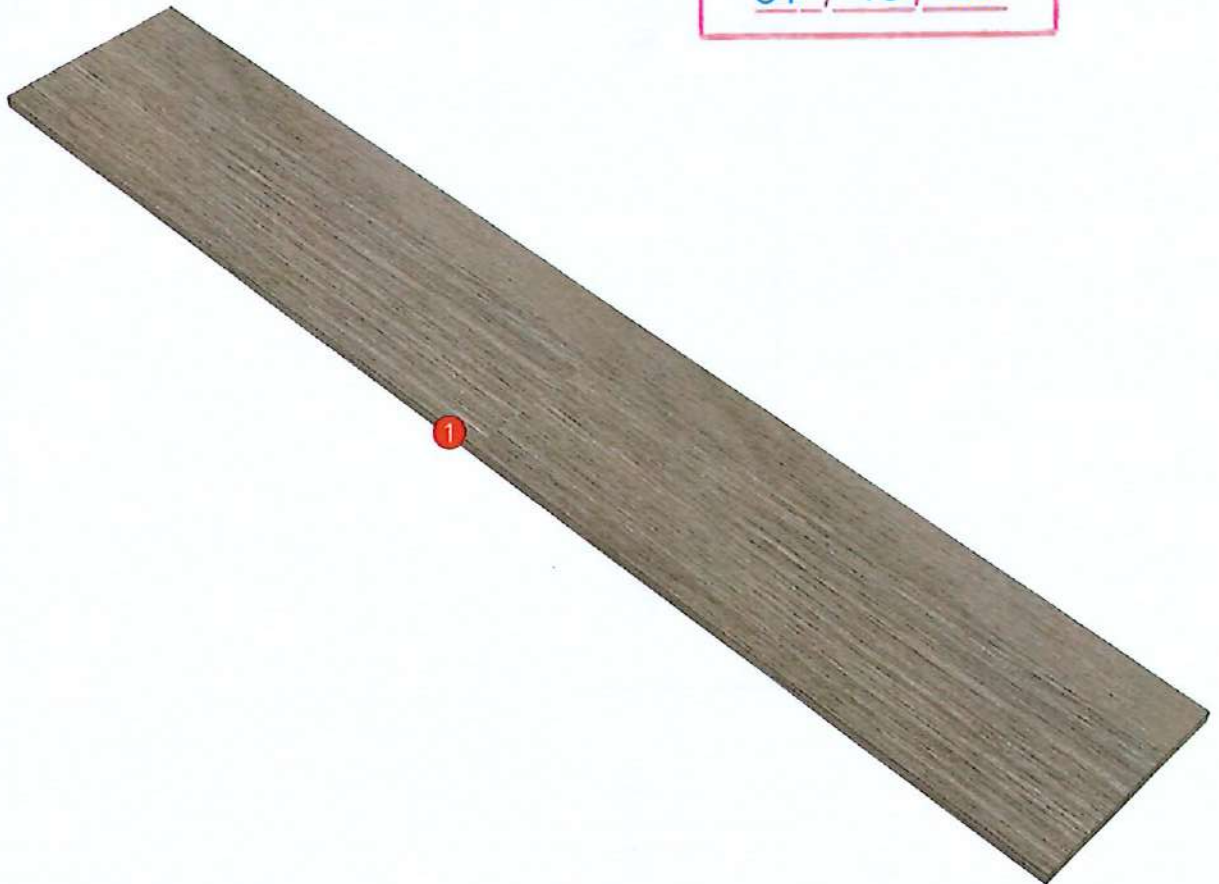
04.69=PB-E1 4'X8'T LAMINATE WILMIKA TEXT NO. W3125-16  
04.691=ALVIC LUMAX-SPP/4'X10'X18MM.-BLANCO SUPPERMATT(LX8

**Edge**

01.405=1 DWK3125AT  
01.4051=1 WHITE 01016

K8R 160167049

<b>R&amp;D REVIEW</b>	
<input checked="" type="checkbox"/>	DWG.Customer
<input type="checkbox"/>	Work Report
<input type="checkbox"/>	Function
<input type="checkbox"/>	สินค้าตรงตัวอย่าง
ผู้ทบทวน <u>P.SAWAI</u>	
<u>31 / 10 / 68</u>	



<b>Model</b>	-ROMM_CONVECT_LED_1905_1		
<b>Creator</b>	SUTTHI.P	<b>.BCP Name</b>	INDEX_C3D_KITCHENPAE
<b>Reviewer</b>		<b>Order</b>	0002912
<b>Approves</b>	พ. SAWA	<b>Date</b>	14/10/2025



<b>Model</b>	ROMM_CONVECT_LED_1310_1		
<b>Creator</b>	SUTTHI.P	<b>.BCP Name</b>	INDEX_C3D_KITCHENPAE
<b>Reviewer</b>		<b>Order</b>	0002909
<b>Approves</b>	<i>P. Sawai</i>	<b>Date</b>	14/10/2025

## **ROMM\_CONVECT\_LED\_1310\_1-1310X310X18**

**Colour**

04.69=PB-E1 4'X8'T LAMINATE WILMIKA TEXT NO. W3125-16  
04.691=ALVIC LUMAX-SPP/4'X10'X18MM.-BLANCO SUPPERMATT(LX8)

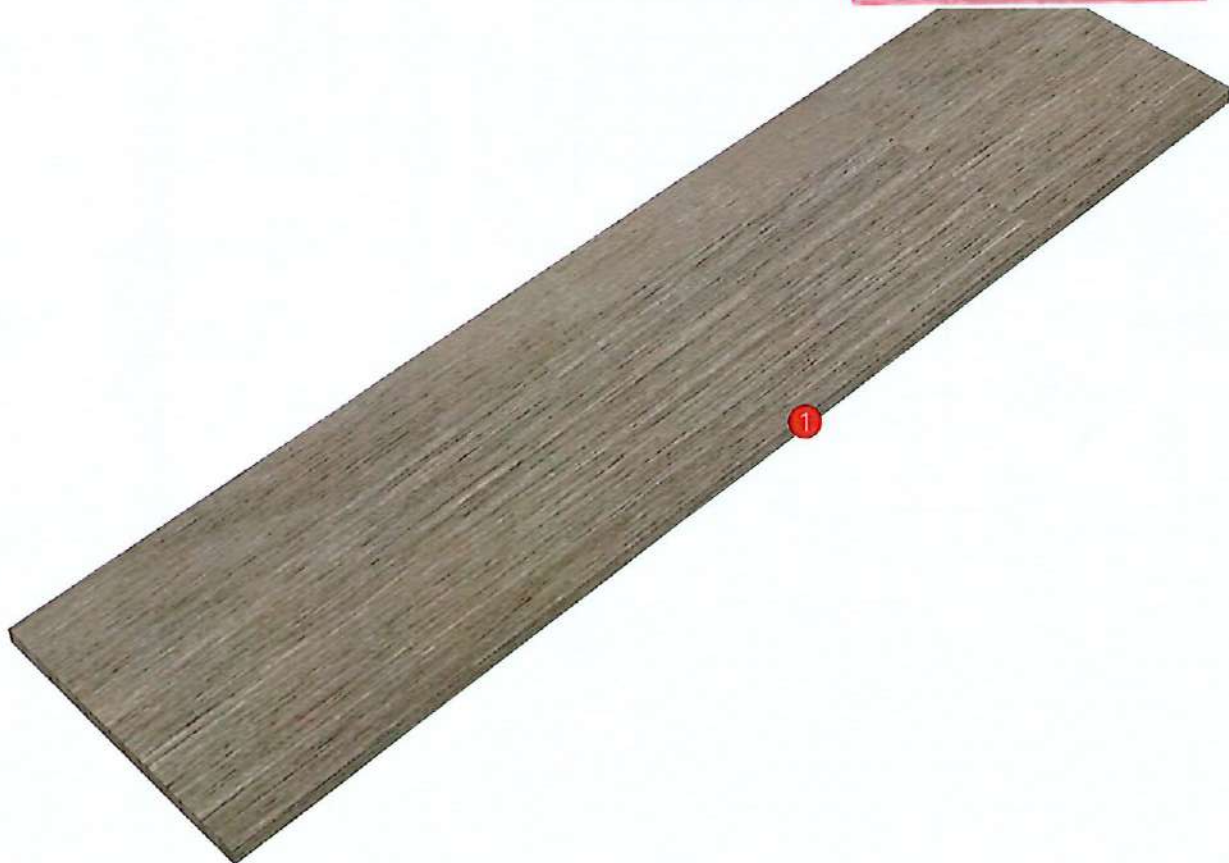
**Edge**

01.405=1 DWK3125AT  
01.4051=1 WHITE 01016

K7R 160167026

K8R 160167049

<b>R&amp;D REVIEW</b>	
<input checked="" type="checkbox"/>	DWG.Customer
<input type="checkbox"/>	Work Report
<input type="checkbox"/>	Function
<input type="checkbox"/>	สินค้าตรงตัวอย่าง
ผู้ทบทวน <u>P.SAWAI</u>	
<u>31, 10, 68</u>	



<b>Model</b>	-ROMM_CONVECT_LED_1310_1		
<b>Creator</b>	SUTTHI.P	<b>.BCP Name</b>	INDEX_C3D_KITCHENPAE
<b>Reviewer</b>		<b>Order</b>	O002909
<b>Approves</b>	<i>พ. SAWA</i>	<b>Date</b>	14/10/2025



<b>Model</b>	ROMM_CONVECT_LED_1975_1		
<b>Creator</b>	SUTTHI.P	<b>.BCP Name</b>	INDEX_C3D_KITCHENPAE
<b>Reviewer</b>		<b>Order</b>	0002913
<b>Approves</b>	<i>P. SAWA</i>	<b>Date</b>	14/10/2025

## ROMM\_CONVECT\_LED\_1975\_1-1975X310X18

**Colour**

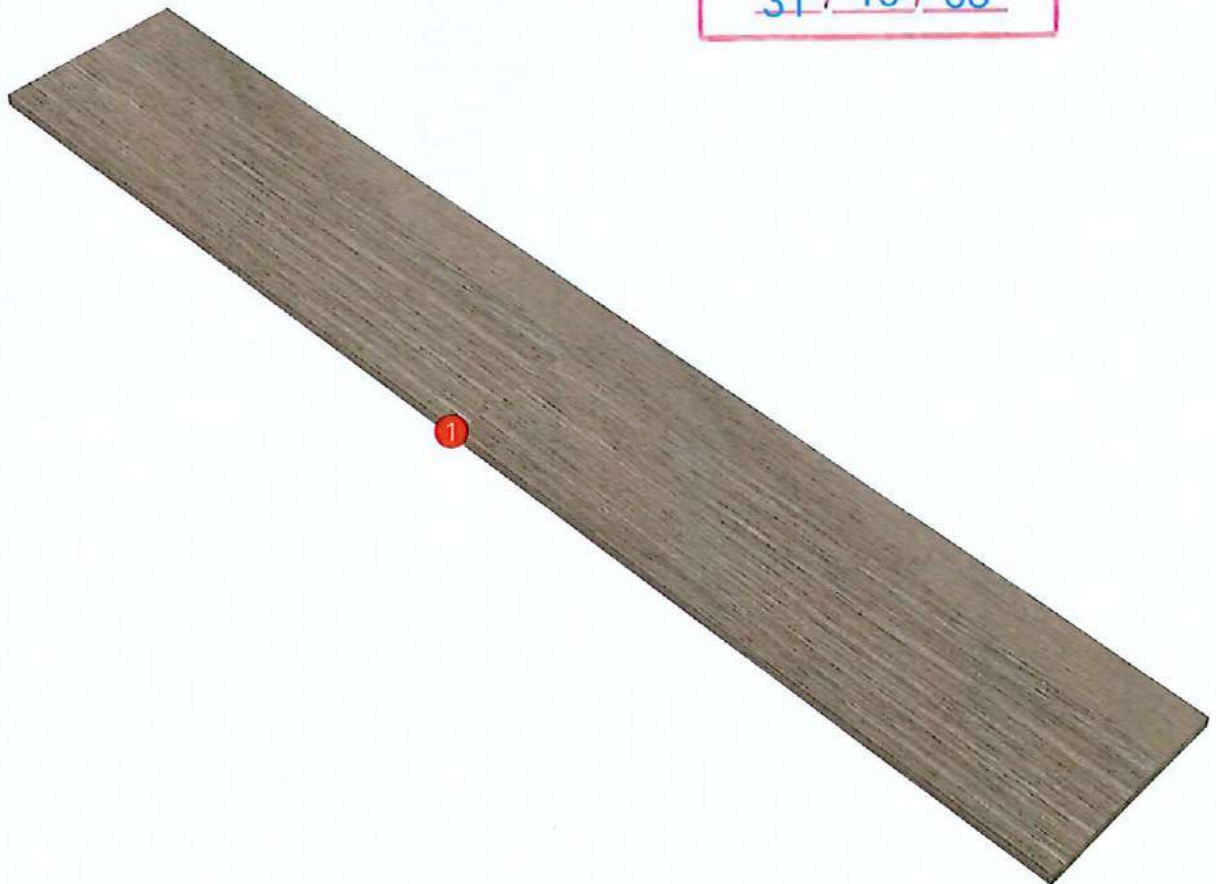
04.69=PB-E1 4'X8'T LAMINATE WILMIKA TEXT NO. W3125-16  
04.691=ALVIC LUMAX-SPP/4'X10'X18MM.-BLANCO SUPPERMATT(LX8

**Edge**

01.405=1 DWK3125AT  
01.4051=1 WHITE 01016

K8R 160167049

<b>R&amp;D REVIEW</b>	
<input checked="" type="checkbox"/>	DWG.Customer
<input type="checkbox"/>	Work Report
<input type="checkbox"/>	Function
<input type="checkbox"/>	สินค้าตรงตัวอย่าง
ผู้ทบทวน <u>P.SAWA</u>	
<u>31 / 10 / 68</u>	



<b>Model</b>	-ROMM_CONVECT_LED_1975_1		
<b>Creator</b>	SUTTHI.P	<b>.BCP Name</b>	INDEX_C3D_KITCHENPAE
<b>Reviewer</b>		<b>Order</b>	O002913
<b>Approves</b>	พ. ส. ว. 1	<b>Date</b>	14/10/2025



Model	ROMM_CONVECT_DDM_2400_1		
Creator	SUTTHI.P	.BCP Name	INDEX_C3D_KITCHENPAE
Reviewer		Order	0002889
Approves	P. SAWA	Date	11/10/2025

## ROMM\_CONVECT\_DDM\_2400\_1-2400X18X135

### Colour

04.69=PB-E1 4'X8'T LAMINATE WILMIKA TEXT NO. W3125-16  
04.691=ALVIC LUMAX-SPP/4'X10'X18MM.-BLANCO SUPPERMATT(LX8)

### Edge

01.405=1 DWK3125AT  
01.4051=1 WHITE 01016

K8R 160167049

<b>R&amp;D REVIEW</b>	
<input checked="" type="checkbox"/>	DWG.Customer
<input type="checkbox"/>	Work Report
<input type="checkbox"/>	Function
<input type="checkbox"/>	สินค้าตรงตัวอย่าง
ผู้ทบทวน <u>P.SAWA</u>	
<u>31 / 10 / 68</u>	



<b>Model</b>	-ROMM_CONVECT_DDM_2400_1		
<b>Creator</b>	SUTTHI.P	<b>.BCP Name</b>	INDEX_C3D_KITCHENPAE
<b>Reviewer</b>		<b>Order</b>	0002889
<b>Approves</b>	พ. SAWA	<b>Date</b>	11/10/2025



# interfurn

18/2 ม.4 ซ.ทรัพย์เกษมโชค ถ.พระราม 2 ต.นาดี อ.เมือง จ.สมุทรสาคร 7400  
(034) 833413-22 Tel : 081-944-0608

Model	ROMM_CONVECT_DDM_800_1		
Creator	SUTTHI.P	.BCP Name	INDEX_C3D_KITCHENPAE
Reviewer		Order	O002754
Approves	ป. Sawal	Date	13/08/2025

## ROMM\_CONVECT\_DDM\_800\_1-800X18X135

### Colour

04.69=PB-E1 4'X8'T LAMINATE WILMIKA TEXT NO. W3125-16

04.691=ALVIC LUMAX-SPP/4'X10'X18MM.-BLANCO SUPPERMATT(LX8

### Edge

01.405=1 DWK3125AT

01.47=1 WHITE

K19L 160161410

### R&D REVIEW

- DWG.Customer
  - Work Report
  - Function
  - สินค้าตรงตัวอย่าง
- ผู้ทบทวน P.SAWAL

28 / 8 / 68



-  K7R 160167026
-  K8R 160167049
-  K20L 160167142

<b>Model</b>	-ROMM_CONVECT_DDM_800_1		
<b>Creator</b>	SUTTHI.P	<b>.BCP Name</b>	INDEX_C3D_KITCHENPAE
<b>Reviewer</b>		<b>Order</b>	0002754
<b>Approves</b>	พ. SAWA	<b>Date</b>	13/08/2025



<b>Model</b>	ROMM_CONVECT_DDM_2050_1		
<b>Creator</b>	SUTTHI.P	<b>.BCP Name</b>	INDEX_C3D_KITCHENPAE
<b>Reviewer</b>		<b>Order</b>	O002886
<b>Approves</b>	P. SAWA	<b>Date</b>	11/10/2025

## ROMM\_CONVECT\_DDM\_2050\_1-2050X18X135

**Colour**

04.69=PB-E1 4'X8'T LAMINATE WILMIKA TEXT NO. W3125-16

04.691=ALVIC LUMAX-SPP/4'X10'X18MM.-BLANCO SUPPERMATT(LX8

**Edge**

01.405=1 DWK3125AT

01.4051=1 WHITE 01016

K8R 160167049

<b>R&amp;D REVIEW</b>	
<input checked="" type="checkbox"/>	DWG.Customer
<input type="checkbox"/>	Work Report
<input type="checkbox"/>	Function
<input type="checkbox"/>	สินค้าตรงตัวอย่าง
ผู้ทบทวน <u>P.SAWA</u>	
<u>31 / 10 / 68</u>	



<b>Model</b>	-ROMM_CONVECT_DDM_2050_1		
<b>Creator</b>	SUTTHI.P	<b>.BCP Name</b>	INDEX_C3D_KITCHENPAE
<b>Reviewer</b>		<b>Order</b>	O002886
<b>Approves</b>	P. SAWA	<b>Date</b>	11/10/2025



Model	ROMM_CONVECT_DSH_2005_1		
Creator	SUTTHI.P	.BCP Name	INDEX_C3D_KITCHENPAE
Reviewer		Order	0002926
Approves	P. SAWA	Date	15/10/2025

## ROMM\_CONVECT\_DSH\_2005\_1-2005X350X25

### Colour

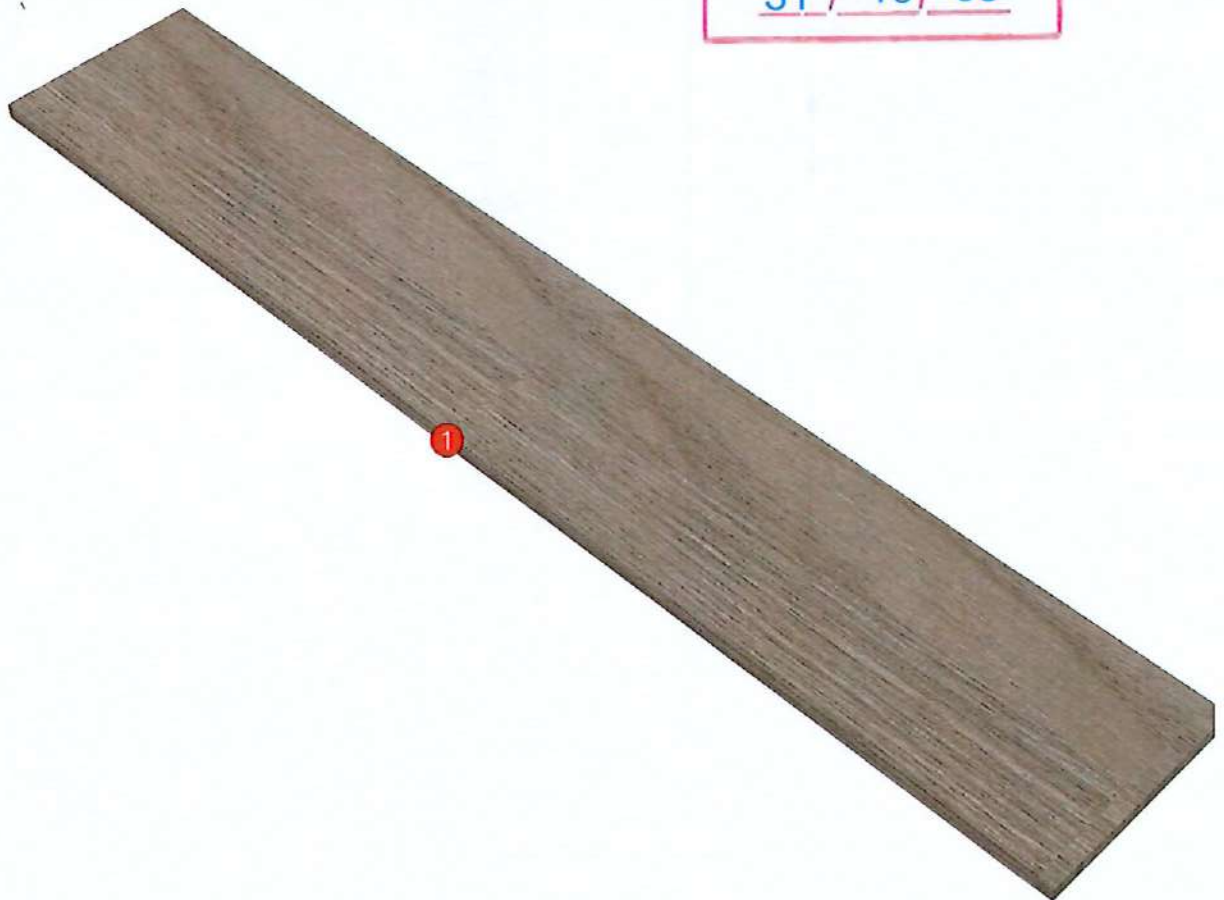
04.69=PB-E1 4'X8'T LAMINATE WILMIKA TEXT NO. W3125-16  
04.691=ALVIC LUMAX-SPP/4'X10'X18MM.-BLANCO SUPPERMATT(LX8)

### Edge

01.405=1 DWK3125AT  
01.47=1 WHITE

K8R 160167049

R&D REVIEW	
<input checked="" type="checkbox"/>	DWG.Customer
<input type="checkbox"/>	Work Report
<input type="checkbox"/>	Function
<input type="checkbox"/>	สินค้าตรงตัวอย่าง
ผู้ทบทวน P.SAWA /	
31 / 10 / 68	



<b>Model</b>	-ROMM_CONVECT_DSH_2005_1		
<b>Creator</b>	SUTTHI.P	<b>.BCP Name</b>	INDEX_C3D_KITCHENPAE
<b>Reviewer</b>		<b>Order</b>	0002926
<b>Approves</b>	<i>P. SAWA</i>	<b>Date</b>	15/10/2025

2



Model	ROMM_CONVECT_DSH_1330_1		
Creator	SUTTHI.P	.BCP Name	INDEX_C3D_KITCHENPAE
Reviewer		Order	0002924
Approves	<i>P. SAWA</i>	Date	14/10/2025

## ROMM\_CONVECT\_DSH\_1330\_1-1330X350X25

### Colour

04.69=PB-E1 4'X8'T LAMINATE WILMIKA TEXT NO. W3125-16  
04.691=ALVIC LUMAX-SPP/4'X10'X18MM.-BLANCO SUPPERMATT(LX8

### Edge

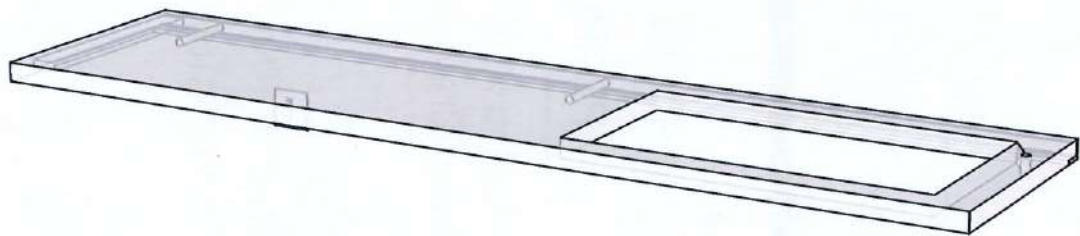
01.405=1 DWK3125AT  
01.47=1 WHITE

K8R 160167049

<b>R&amp;D REVIEW</b>	
<input checked="" type="checkbox"/>	DWG.Customer
<input type="checkbox"/>	Work Report
<input type="checkbox"/>	Function
<input type="checkbox"/>	สินค้าตรงตัวอย่าง
ผู้ทบทวน <u>P.SAWA</u>	
____/____/____	



<b>Model</b>	-ROMM_CONVECT_DSH_1330_1		
<b>Creator</b>	SUTTHI.P	<b>.BCP Name</b>	INDEX_C3D_KITCHENPAE
<b>Reviewer</b>		<b>Order</b>	0002924
<b>Approves</b>	<i>พ. SAWA</i>	<b>Date</b>	14/10/2025



<b>Model</b>	ROMM_CONVECT_DSH_1970_1		
<b>Creator</b>	SUTTHI.P	<b>.BCP Name</b>	INDEX_C3D_KITCHENPAE
<b>Reviewer</b>		<b>Order</b>	O002923
<b>Approves</b>	P. SAWA	<b>Date</b>	14/10/2025

## ROMM\_CONVECT\_DSH\_1970\_1-1970X350X25

**Colour**

04.69=PB-E1 4'X8'T LAMINATE WILMIKA TEXT NO. W3125-16  
04.691=ALVIC LUMAX-SPP/4'X10'X18MM.-BLANCO SUPPERMATT(LX8)

**Edge**

01.405=1 DWK3125AT  
01.47=1 WHITE

K8R 160167049

<b>R&amp;D REVIEW</b>	
<input checked="" type="checkbox"/>	DWG.Customer
<input type="checkbox"/>	Work Report
<input type="checkbox"/>	Function
<input type="checkbox"/>	สินค้าตรงตัวอย่าง
ผู้ทบทวน <u>P.SAWA</u>	
<u>31 / 10 / 68</u>	



<b>Model</b>	-ROMM_CONVECT_DSH_1970_1		
<b>Creator</b>	SUTTHI.P	<b>.BCP Name</b>	INDEX_C3D_KITCHENPAE
<b>Reviewer</b>		<b>Order</b>	0002923
<b>Approves</b>	<i>P. SAWA</i>	<b>Date</b>	14/10/2025

2



Model	ROMM_CONVECT_DSH_750_1		
Creator	SUTTHI.P	.BCP Name	INDEX_C3D_KITCHENPAE
Reviewer		Order	O002925
Approves	P. SAWA	Date	15/10/2025

## ROMM\_CONVECT\_DSH\_750\_1-750X350X25

### Colour

04.69=PB-E1 4'X8'T LAMINATE WILMIKA TEXT NO. W3125-16  
04.691=ALVIC LUMAX-SPP/4'X10'X18MM.-BLANCO SUPPERMATT(LX8

### Edge

01.405=1 DWK3125AT  
01.47=1 WHITE

K7R 160167026

K8R 160167049

### R&D REVIEW

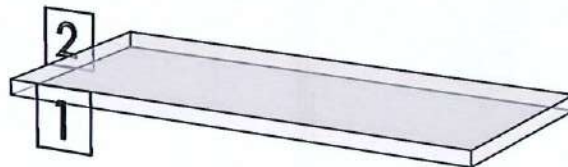
- DWG.Customer
- Work Report
- Function
- สินค้าตรงตัวอย่าง

ผู้ทบทวน P.SAWA

31 / 10 / 68



<b>Model</b>	-ROMM_CONVECT_DSH_750_1		
<b>Creator</b>	SUTTHI.P	<b>.BCP Name</b>	INDEX_C3D_KITCHENPAE
<b>Reviewer</b>		<b>Order</b>	O002925
<b>Approves</b>	<i>P. SAWA</i>	<b>Date</b>	15/10/2025



Model	ROMM_CONVECT_DDM_1750_6_1		
Creator	SUTTHI.P	.BCP Name	INDEX_C3D_KITCHENPAE
Reviewer		Order	O002591
Approves	พ. Sawal	Date	09/07/2025

## ROMM\_CONVECT\_DDM\_1750\_6\_1-1750X6X365

### Colour

04.69=PB-E1 4'X8'T LAMINATE WILMIKA TEXT NO. W3125-16

04.691=ALVIC LUMAX-SPP/4'X10'X18MM.-BLANCO SUPPERMATT(LX8

03.13=PVC WHITE#630 T0.15MM.

### Edge

01.405=1 DWK3125AT

01.4051=1 WHITE 01016

K14L 160152715



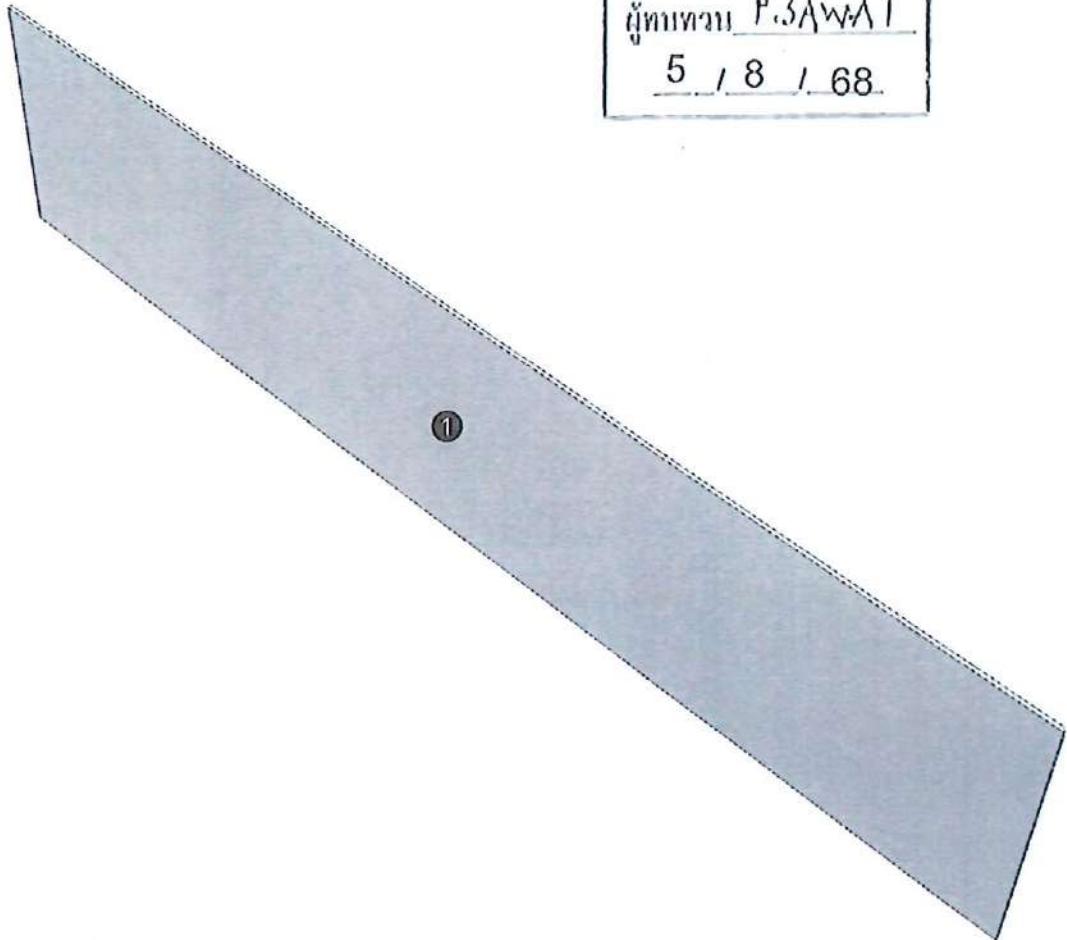
K8R 160167049

### R&D REVIEW

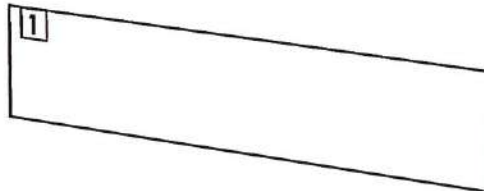
- DWG.Customer
- Work Report
- Function
- สินค้าตรงตัวอย่าง

ผู้ทบทวน P.SAWAL

5 / 8 / 68



<b>Model</b>	-ROMM_CONVECT_DDM_1750_6_1		
<b>Creator</b>	SUTTHI.P	<b>.BCP Name</b>	INDEX_C3D_KITCHENPAE
<b>Reviewer</b>		<b>Order</b>	0002591
<b>Approves</b>	พ. SAWA	<b>Date</b>	09/07/2025



Model	ROMM_CONVECT_DDM_1750_9_1		
Creator	SUTTHI.P	.BCP Name	INDEX_C3D_KITCHENPAE
Reviewer		Order	O002592
Approves	พ. Sawan	Date	09/07/2025

## ROMM\_CONVECT\_DDM\_1750\_9\_1-1750X9X375

### Colour

04.69=PB-E1 4'X8'T LAMINATE WILMIKA TEXT NO. W3125-16  
04.691=ALVIC LUMAX-SPP/4'X10'X18MM.-BLANCO SUPPERMATT(LX8  
05.01=ML WHITE VMI012 18/18

### Edge

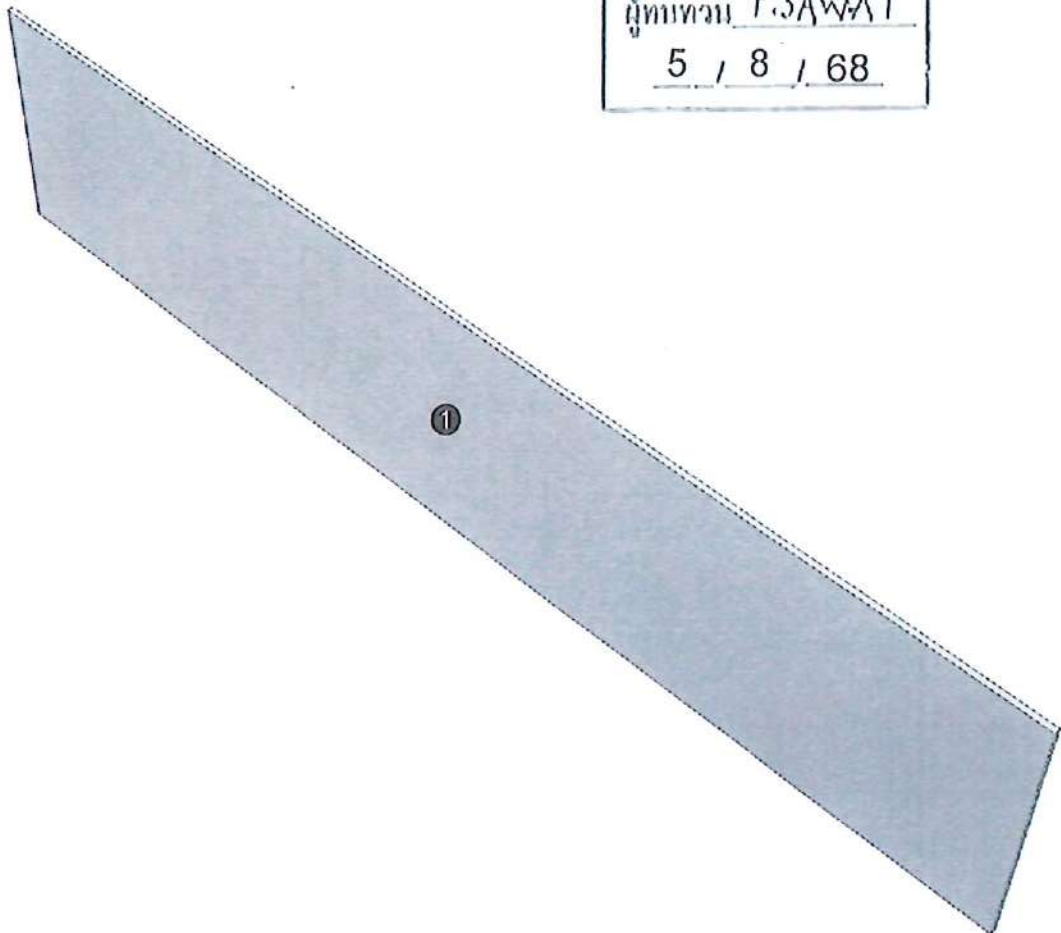
01.405=1 DWK3125AT  
01.4051=1 WHITE 01016

K14L 160152715

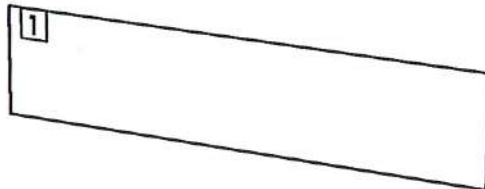


K8R 160167049

R&D REVIEW	
<input checked="" type="checkbox"/>	DWG.Customer
<input type="checkbox"/>	Work Report
<input type="checkbox"/>	Function
<input type="checkbox"/>	สินค้าตรงตัวอย่าง
ผู้ทบทวน <u>P.Sawan</u>	
<u>5 / 8 / 68</u>	



<b>Model</b>	-ROMM_CONVECT_DDM_1750_9_1		
<b>Creator</b>	SUTTHI.P	<b>.BCP Name</b>	INDEX_C3D_KITCHENPAE
<b>Reviewer</b>		<b>Order</b>	0002592
<b>Approves</b>	<i>พ. SAWA</i>	<b>Date</b>	09/07/2025



Model	ROMM_CONVECT_DDM_600_6_1		
Creator	SUTTHI.P	.BCP Name	INDEX_C3D_KITCHENPAE
Reviewer		Order	0002745
Approves	ป. ส. พ. พ. /	Date	13/08/2025

## ROMM\_CONVECT\_DDM\_600\_6\_1-600X6X375

### Colour

04.69=PB-EI 4'X8'T LAMINATE WILMIKA TEXT NO. W3125-16

04.691=ALVIC LUMAX-SPP/4'X10'X18MM.-BLANCO SUPPERMATT(LX8

03.13=PVC WHITE#630 TO.15MM.

### Edge

01.405=1 DWK3125AT

01.47=1 WHITE

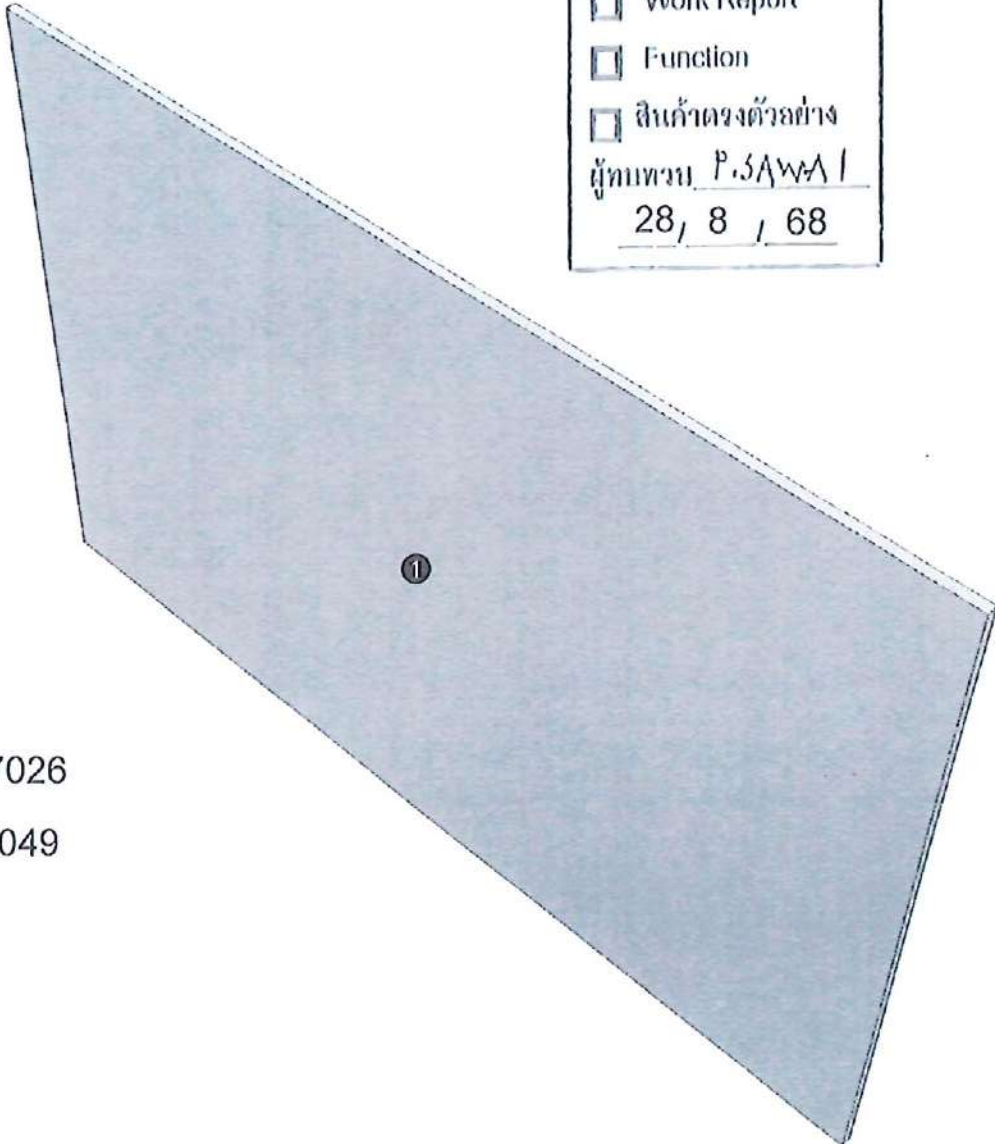
K3R 160161323

### R&D REVIEW

- DWG.Customer
- Work Report
- Function
- สิ้นค้าตรงตัวอย่าง

ผู้ทบทวน P. ส. พ. พ. /

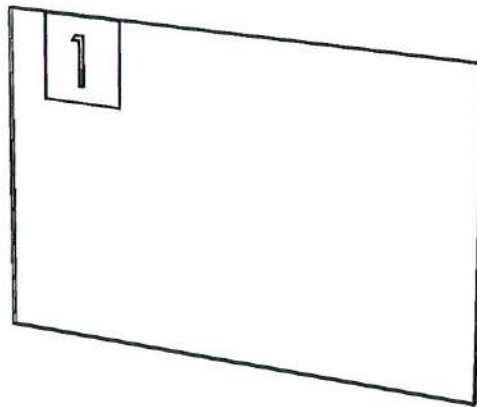
28, 8, 68



K7R 160167026

K8R 160167049

<b>Model</b>	-ROMM_CONVECT_DDM_600_6_1		
<b>Creator</b>	SUTTHI.P	<b>.BCP Name</b>	INDEX_C3D_KITCHENPAE
<b>Reviewer</b>		<b>Order</b>	O002745
<b>Approves</b>	<i>P. SAWA</i>	<b>Date</b>	13/08/2025



Model	ROMM_CONVECT_DDM_600_9_1		
Creator	SUTTHI.P	.BCP Name	INDEX_C3D_KITCHENPAE
Reviewer		Order	O002750
Approves	ป. งามวิ	Date	13/08/2025

## ROMM\_CONVECT\_DDM\_600\_9\_1-600X9X365

### Colour


04.69=PB-E1 4'X8'T LAMINATE WILMIKA TEXT NO. W3125-16  
04.691=ALVIC LUMAX-SPP/4'X10'X18MM.-BLANCO SUPPERMATT(LX8  
05.01=ML WHITE VM1012 18/18

### Edge

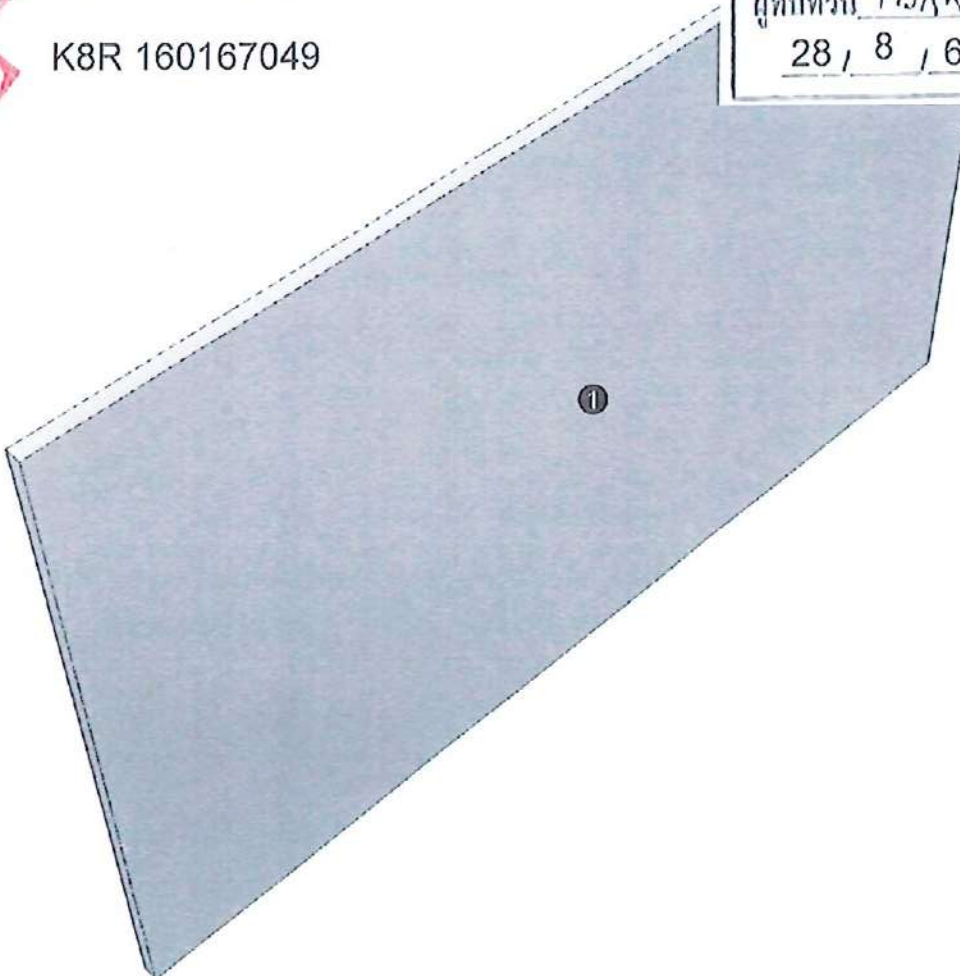
01.405=1 DWK3125AT  
01.47=1 WHITE

K3R 160161323

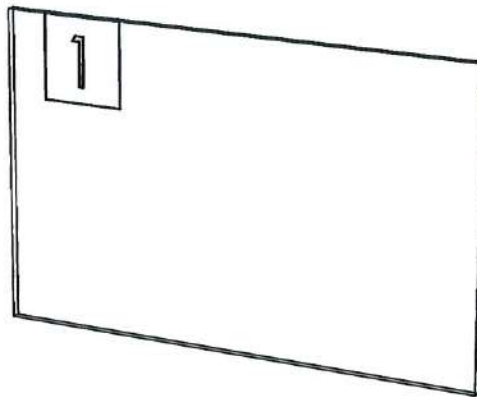
 K7R 160167026

 K8R 160167049

R&D REVIEW	
<input checked="" type="checkbox"/>	DWG.Customer
<input type="checkbox"/>	Work Report
<input type="checkbox"/>	Function
<input type="checkbox"/>	สินค้าตรงตัวอย่าง
ผู้ทบทวน <u>ป.งามวิ</u>	
<u>28 / 8 / 68</u>	



<b>Model</b>	-ROMM_CONVECT_DDM_600_9_1		
<b>Creator</b>	SUTTHI.P	<b>.BCP Name</b>	INDEX_C3D_KITCHENPAE
<b>Reviewer</b>		<b>Order</b>	O002750
<b>Approves</b>	P. SAWA	<b>Date</b>	13/08/2025



<b>Model</b>	ROMM_CONVECT_DDM_1050_6_1		
<b>Creator</b>	SUTTHI.P	<b>.BCP Name</b>	INDEX_C3D_KITCHENPAE
<b>Reviewer</b>		<b>Order</b>	O002883
<b>Approves</b>	P. SAWA	<b>Date</b>	11/10/2025

## ROMM\_CONVECT\_DDM\_1050\_6\_1-1050X6X375

### Colour

04.69=PB-E1 4'X8'T LAMINATE WILMIKA TEXT NO. W3125-16  
04.691=ALVIC LUMAX-SPP/4'X10'X18MM.-BLANCO SUPPERMATT(LX8  
03.13=PVC WHITE#630 T0.15MM.

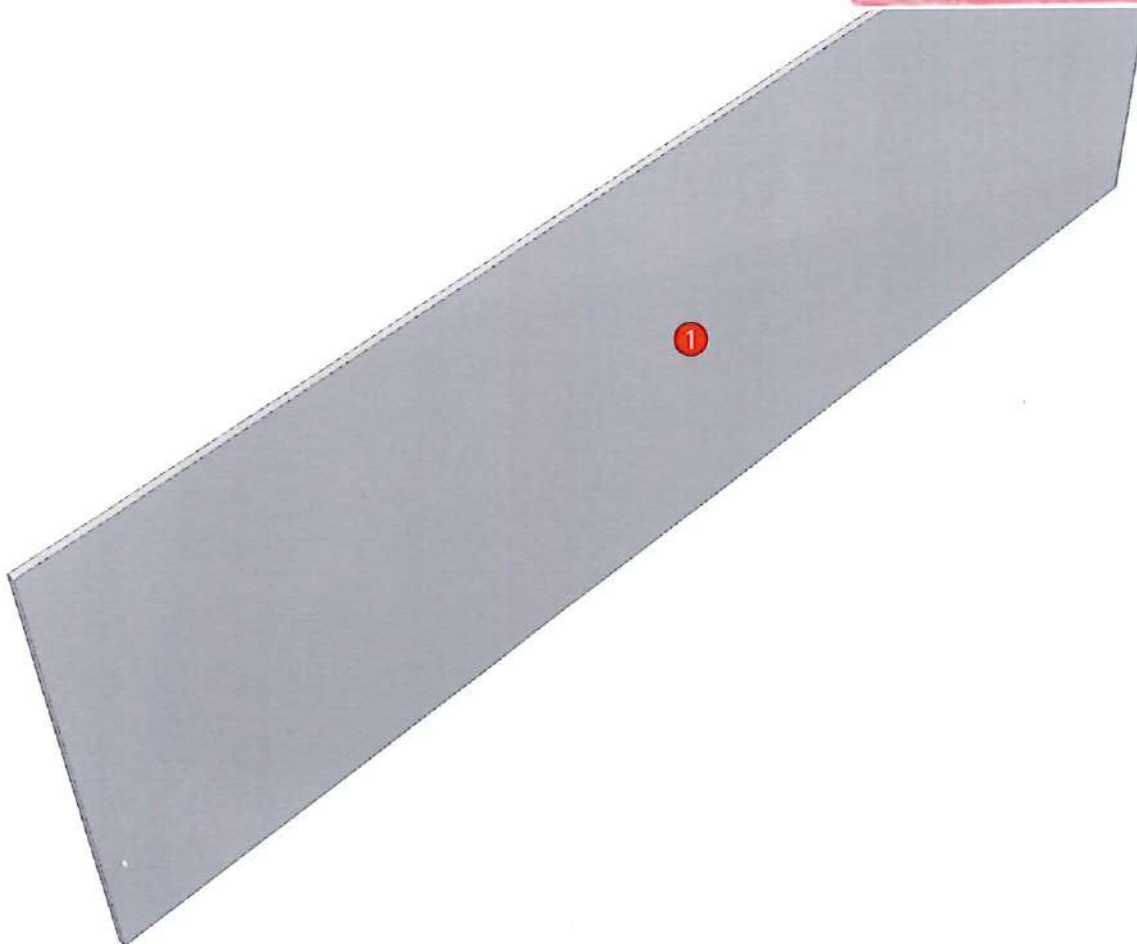
### Edge

01.405=1 DWK3125AT  
01.4051=1 WHITE 01016

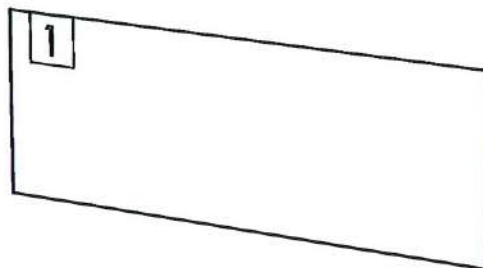
K7R 160167026

K8R 160167049

<b>R&amp;D REVIEW</b>	
<input checked="" type="checkbox"/>	DWG.Customer
<input type="checkbox"/>	Work Report
<input type="checkbox"/>	Function
<input type="checkbox"/>	สินค้าตรงตัวอย่าง
ผู้ทบทวน <u>P.SAWA</u>	
<u>31 / 10 / 68</u>	



<b>Model</b>	-ROMM_CONVECT_DDM_1050_6_1		
<b>Creator</b>	SUTTHI.P	<b>.BCP Name</b>	INDEX_C3D_KITCHENPAE
<b>Reviewer</b>		<b>Order</b>	O002883
<b>Approves</b>	P. SAWA	<b>Date</b>	11/10/2025



<b>Model</b>	ROMM_CONVECT_DDM_1050_9_1	<b>.BCP Name</b>	INDEX_C3D_KITCHENPAE
<b>Creator</b>	SUTTHI,P	<b>Order</b>	O002884
<b>Reviewer</b>		<b>Date</b>	11/10/2025
<b>Approves</b>	<i>P. SAWA</i>		

## ROMM\_CONVECT\_DDM\_1050\_9\_1-1050X9X365

**Colour**

04.69=PB-E1 4'X8'T LAMINATE WILMIKA TEXT NO. W3125-16  
04.691=ALVIC LUMAX-SPP/4'X10'X18MM.-BLANCO SUPPERMATT(LX8  
05.01=ML WHITE VM1012 18/18

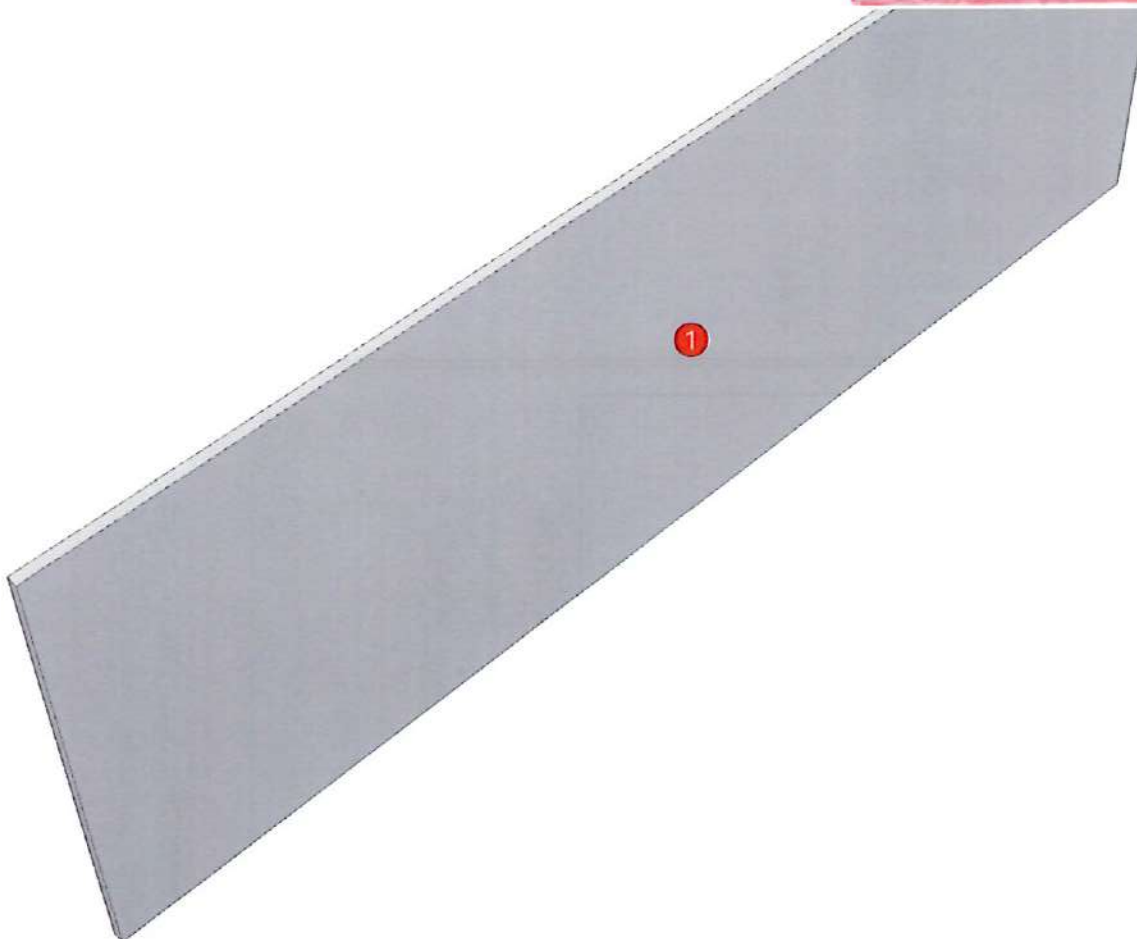
**Edge**

01.405=1 DWK3125AT  
01.4051=1 WHITE 01016

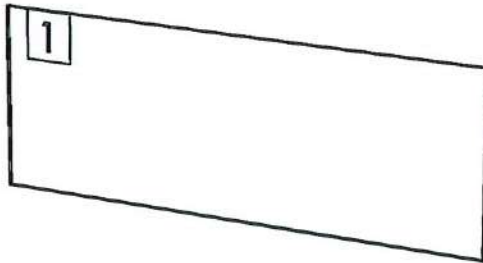
K7R 160167026

K8R 160167049

<b>R&amp;D REVIEW</b>	
<input checked="" type="checkbox"/>	DWG.Customer
<input type="checkbox"/>	Work Report
<input type="checkbox"/>	Function
<input type="checkbox"/>	สินค้าตรงตัวอย่าง
ผู้ทบทวน <u>P.SAWA</u>	
<u>31 / 10 / 68</u>	



<b>Model</b>	-ROMM_CONVECT_DDM_1050_9_1		
<b>Creator</b>	SUTTHI.P	<b>.BCP Name</b>	INDEX_C3D_KITCHENPAE
<b>Reviewer</b>		<b>Order</b>	0002884
<b>Approves</b>	พ. SAWA	<b>Date</b>	11/10/2025



<b>Model</b>	ROMM_CONVECT_DDM_800_6_1		
<b>Creator</b>	SUTTHI.P	<b>.BCP Name</b>	INDEX_C3D_KITCHENPAE
<b>Reviewer</b>		<b>Order</b>	O002898
<b>Approves</b>	P. SAWA	<b>Date</b>	11/10/2025

## ROMM\_CONVECT\_DDM\_800\_6\_1-800X6X375

**Colour**

04.69=PB-E1 4'X8'T LAMINATE WILMIKA TEXT NO. W3125-16  
04.691=ALVIC LUMAX-SPP/4'X10'X18MM.-BLANCO SUPPERMATT(LX8  
03.13=PVC WHITE#630 T0.15MM.

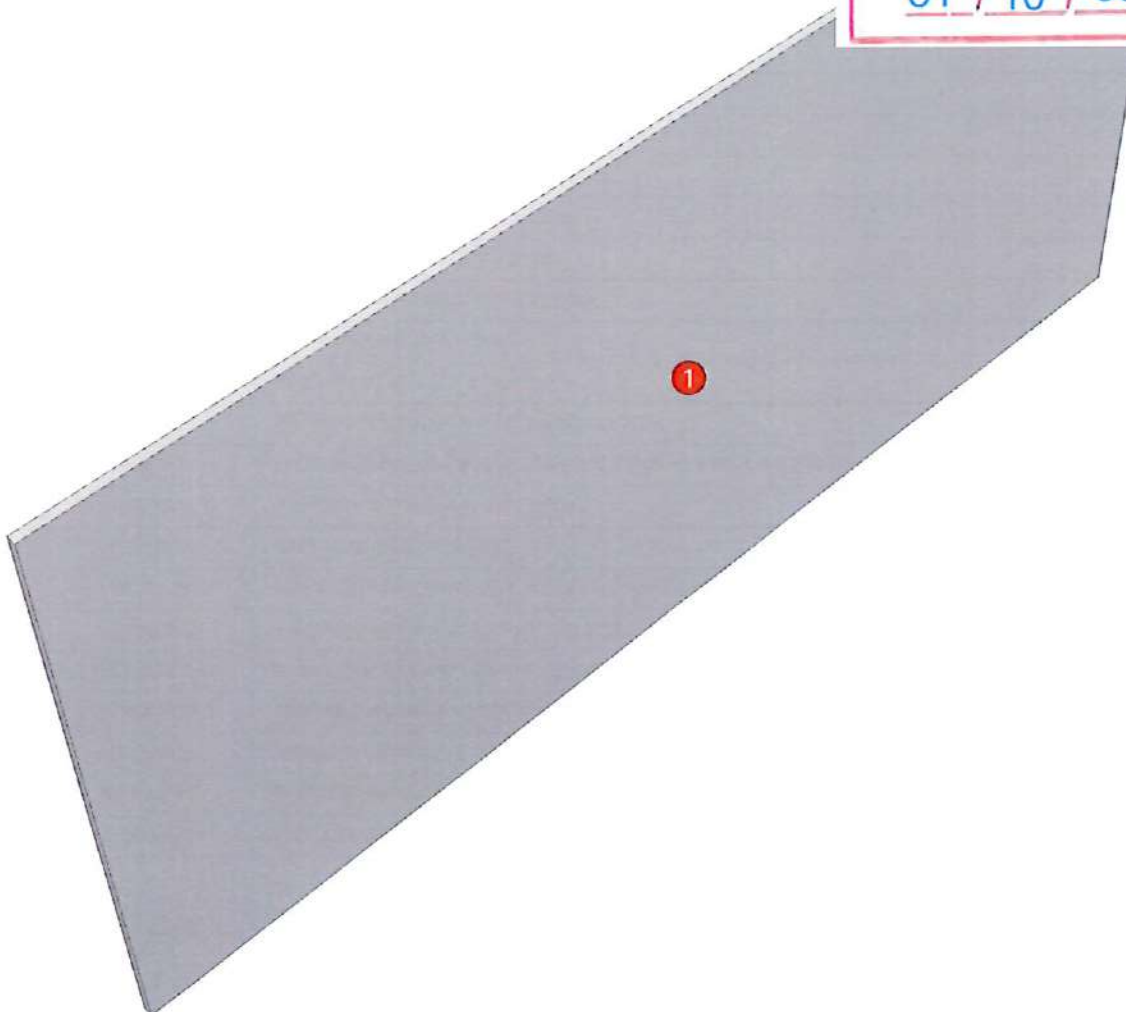
**Edge**

01.405=1 DWK3125AT  
01.4051=1 WHITE 01016

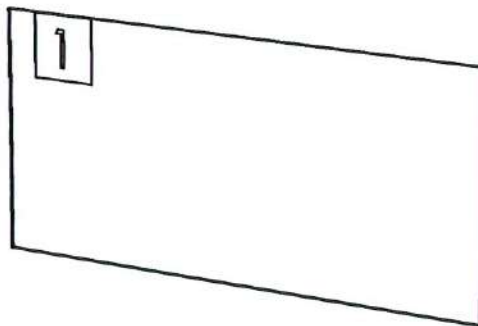
K7R 160167026

K8R 160167049

<b>R&amp;D REVIEW</b>	
<input checked="" type="checkbox"/>	DWG.Customer
<input type="checkbox"/>	Work Report
<input type="checkbox"/>	Function
<input type="checkbox"/>	สินค้าตรงตัวอย่าง
ผู้ทบทวน <u>P.SAWA</u>	
<u>31 / 10 / 68</u>	



<b>Model</b>	-ROMM_CONVECT_DDM_800_6_1		
<b>Creator</b>	SUTTHI.P	<b>.BCP Name</b>	INDEX_C3D_KITCHENPAE
<b>Reviewer</b>		<b>Order</b>	0002898
<b>Approves</b>	พ. SAWA	<b>Date</b>	11/10/2025



<b>Model</b>	ROMM_CONVECT_DDM_800_9_1		
<b>Creator</b>	SUTTHI.P	<b>.BCP Name</b>	INDEX_C3D_KITCHENPAE
<b>Reviewer</b>		<b>Order</b>	0002902
<b>Approves</b>	<u>P. SAWA</u>	<b>Date</b>	11/10/2025

## ROMM\_CONVECT\_DDM\_800\_9\_1-800X9X365

**Colour**

04.69=PB-E1 4'X8'T LAMINATE WILMIKA TEXT NO. W3125-16  
04.691=ALVIC LUMAX-SPP/4'X10'X18MM.-BLANCO SUPPERMATT(LX8  
05.01=ML WHITE VM1012 18/18

**Edge**

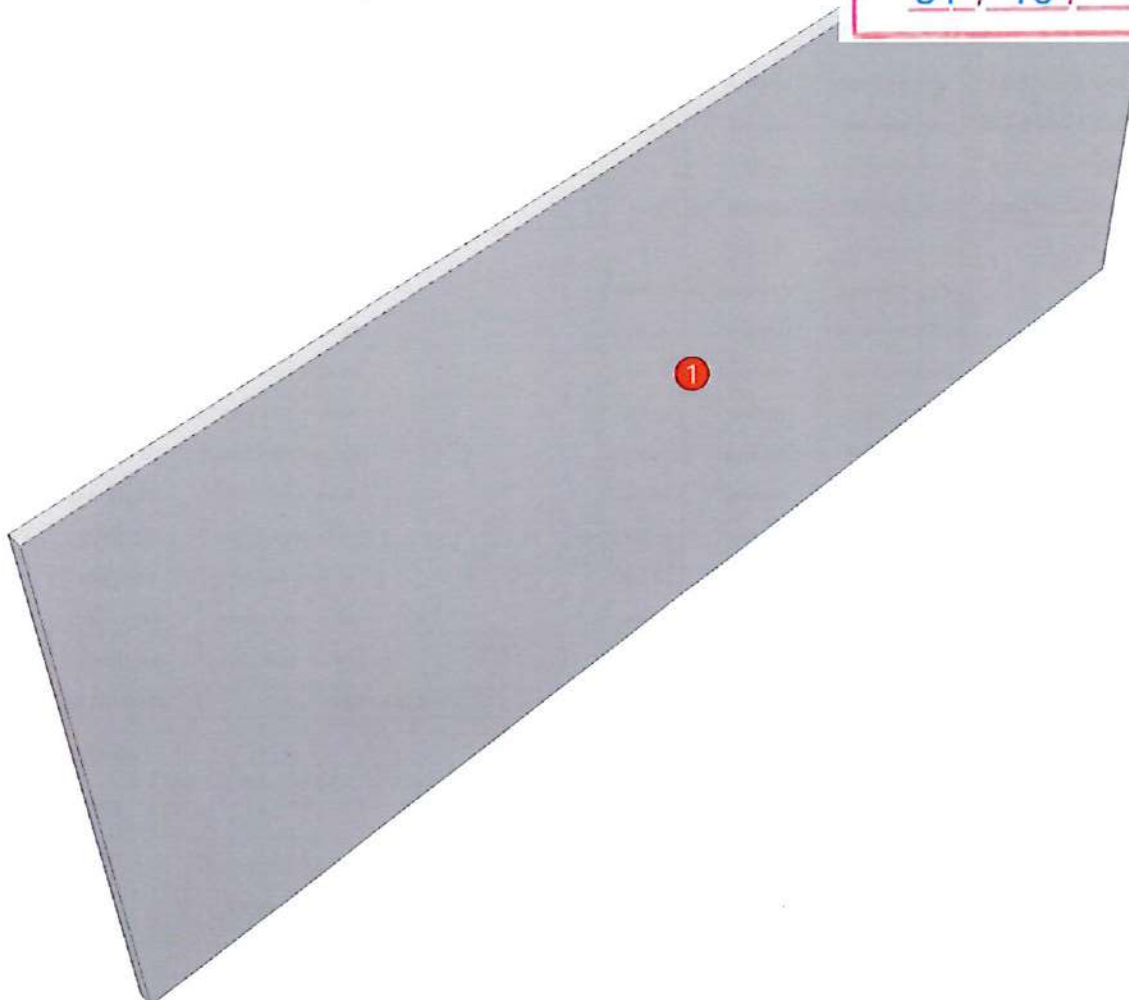
01.405=1 DWK3125AT  
01.4051=1 WHITE 01016

K7R 160167026  
K8R 160167049

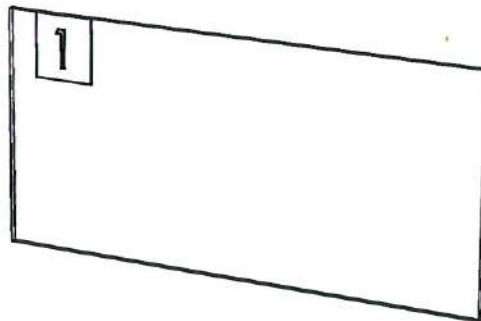
**R&D REVIEW**

- DWG.Customer
- Work Report
- Function
- สินค้าตรงตัวอย่าง

ผู้ทบทวน P.SAWA  
31 / 10 / 68



<b>Model</b>	-ROMM_CONVECT_DDM_800_9_1		
<b>Creator</b>	SUTTHI.P	<b>.BCP Name</b>	INDEX_C3D_KITCHENPAE
<b>Reviewer</b>		<b>Order</b>	O002902
<b>Approves</b>	ป. Sawai	<b>Date</b>	11/10/2025



Model	ROMM_CONVECT_DDM_2400_6_1		
Creator	SUTTHI.P	.BCP Name	INDEX_C3D_KITCHENPAE
Reviewer		Order	0002896
Approves	P. SAWA	Date	11/10/2025

## ROMM\_CONVECT\_DDM\_2400\_6\_1-2400X6X375

### Colour

04.69=PB-E1 4'X8'T LAMINATE WILMIKA TEXT NO. W3125-16  
04.691=ALVIC LUMAX-SPP/4'X10'X18MM.-BLANCO SUPPERMATT(LX8  
03.13=PVC WHITE#630 T0.15MM.

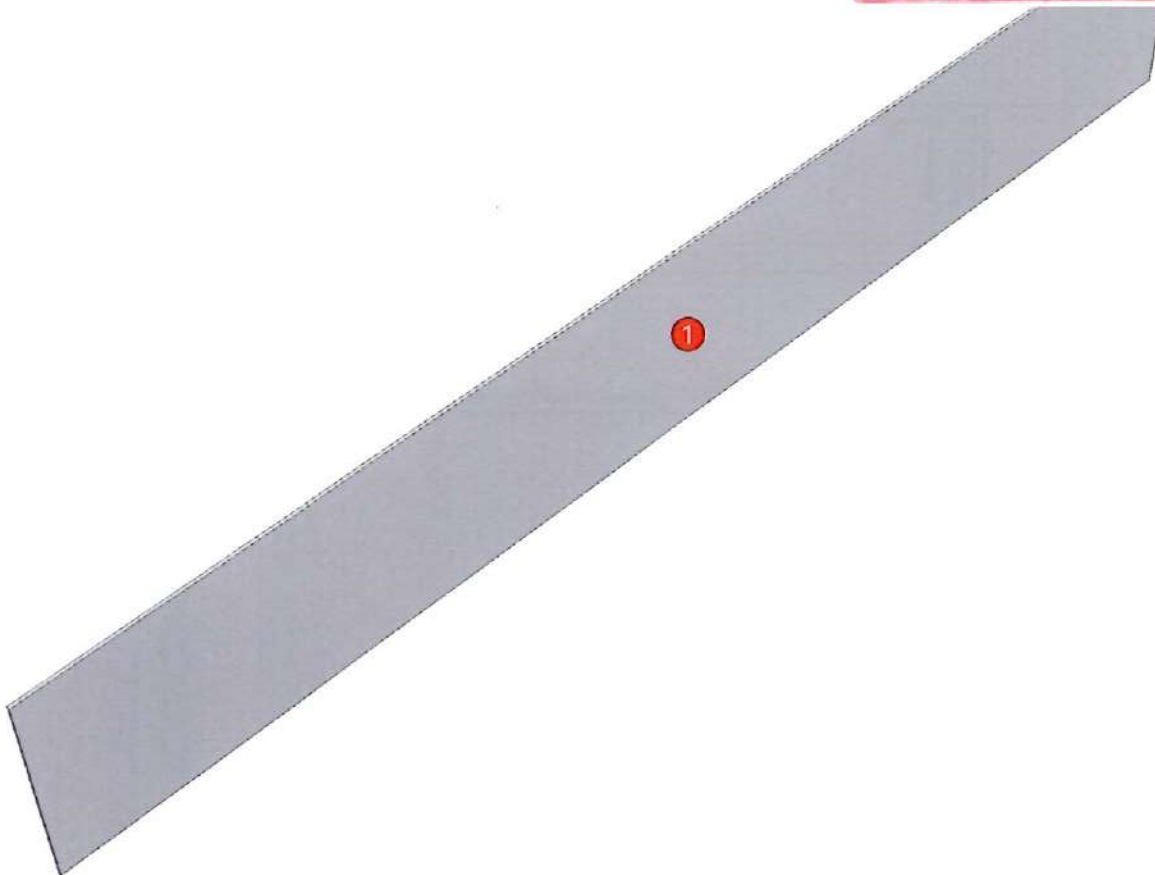
### Edge

01.405=1 DWK3125AT  
01.4051=1 WHITE 01016

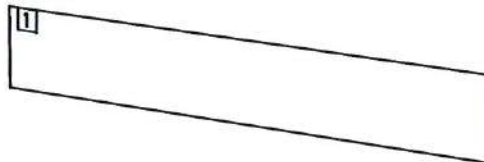
K8R 160167049

K16L 160167101

<b>R&amp;D REVIEW</b>	
<input checked="" type="checkbox"/>	DWG.Customer
<input type="checkbox"/>	Work Report
<input type="checkbox"/>	Function
<input type="checkbox"/>	สินค้าตรงตัวอย่าง
ผู้ทบทวน <u>P.SAWA</u>	
<u>31 / 10 / 68</u>	



<b>Model</b>	-ROMM_CONVECT_DDM_2400_6_1		
<b>Creator</b>	SUTTHI.P	<b>.BCP Name</b>	INDEX_C3D_KITCHENPAE
<b>Reviewer</b>		<b>Order</b>	0002896
<b>Approves</b>	P. SAWA	<b>Date</b>	11/10/2025



<b>Model</b>	ROMM_CONVECT_DDM_2400_9_1		
<b>Creator</b>	SUTTHI.P	<b>.BCP Name</b>	INDEX_C3D_KITCHENPAE
<b>Reviewer</b>		<b>Order</b>	O002901
<b>Approves</b>	P. SAWA	<b>Date</b>	11/10/2025

## ROMM\_CONVECT\_DDM\_2400\_9\_1-2400X9X365

**Colour**

04.69=PB-E1 4'X8'T LAMINATE WILMIKA TEXT NO. W3125-16  
04.691=ALVIC LUMAX-SPP/4'X10'X18MM.-BLANCO SUPPERMATT(LX8  
05.01=ML WHITE VM1012 18/18

**Edge**

01.405=1 DWK3125AT  
01.4051=1 WHITE 01016

K8R 160167049

K16L 160167101

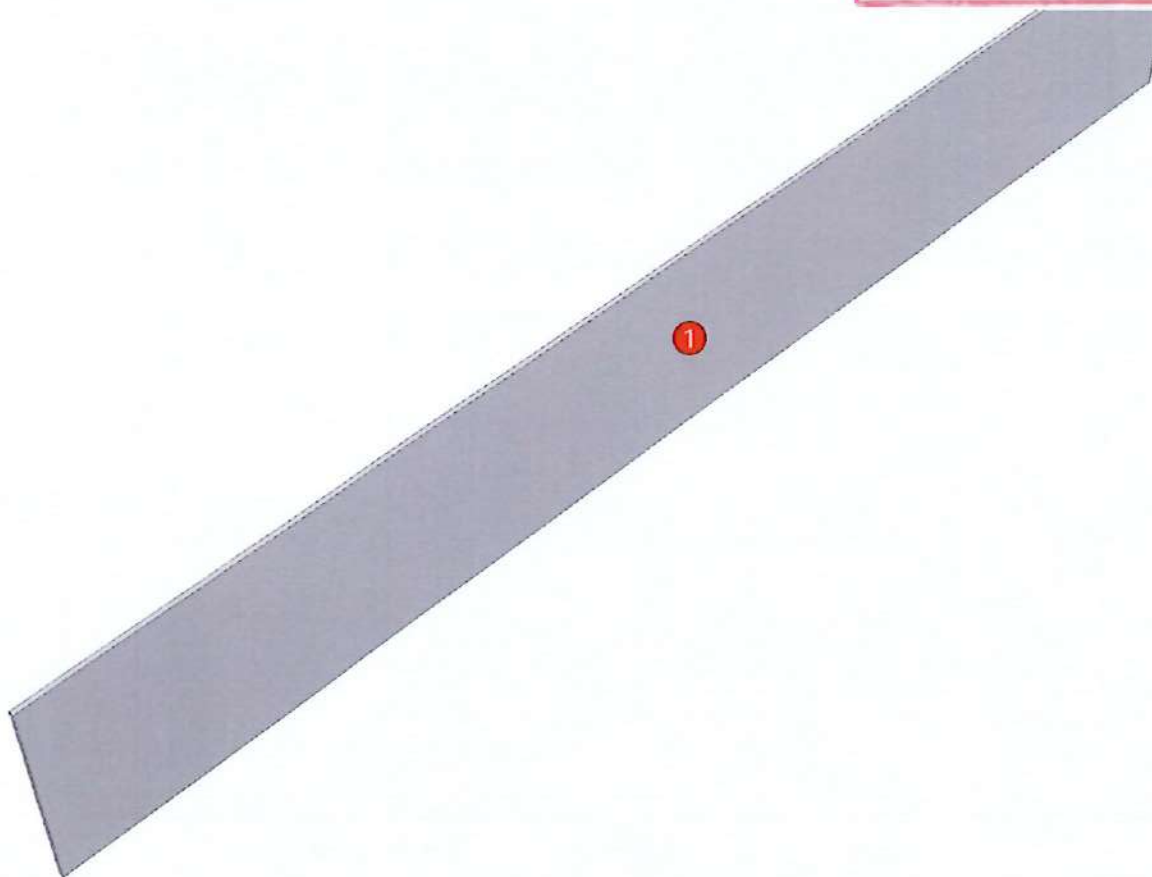
**R&D REVIEW**

- DWG.Customer
- Work Report
- Function

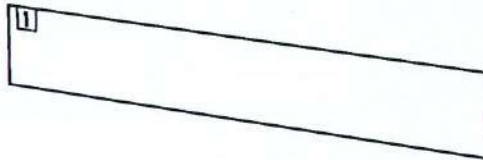
สินค้าตรงตัวอย่าง

ผู้ทบทวน P.SAWA

31 / 10 / 68



<b>Model</b>	-ROMM_CONVECT_DDM_2400_9_1		
<b>Creator</b>	SUTTHI.P	<b>.BCP Name</b>	INDEX_C3D_KITCHENPAE
<b>Reviewer</b>		<b>Order</b>	O002901
<b>Approves</b>	<i>P. SAWA</i>	<b>Date</b>	11/10/2025



Model	ROMM_CONVECT_DFB_1		
Creator	SUTTHI.P	.BCP Name	INDEX_C3D_KITCHENPAE
Reviewer		Order	O002614
Approves	พ. ๕๖๖๖	Date	09/07/2025

## ROMM\_CONVECT\_DFB\_1-150X18X730

**Colour**

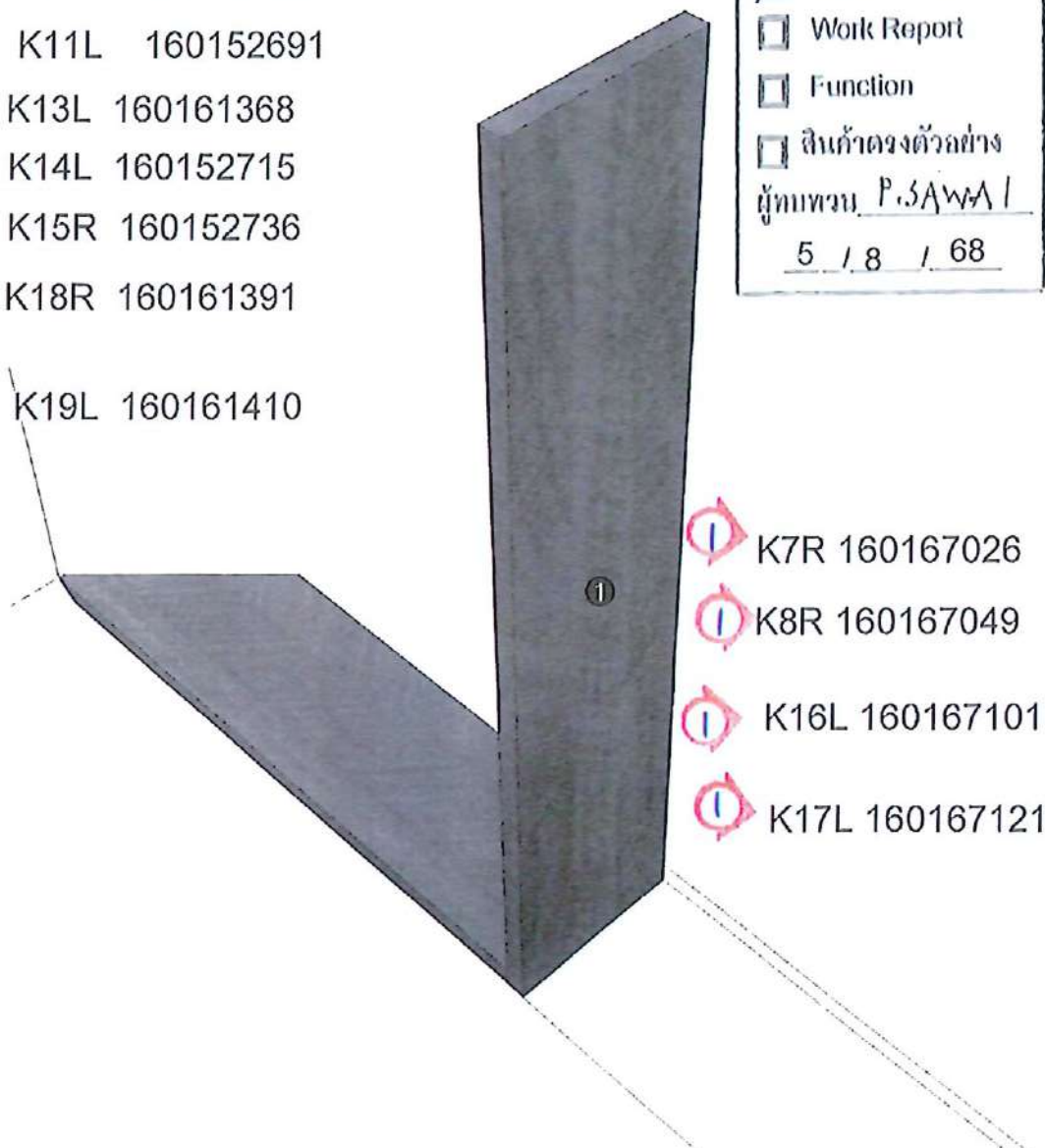
04.69=PB-E1 4'X0'T LAMINATE WILMIKA TEXT NO. W3125-16  
04.691=ALVIC LUMAX-SPP/4'X10'X18MM.-BLANCO SUPPERMATT(LX8  
05.01=ML WHITE VM1012 18/18

**Edge**

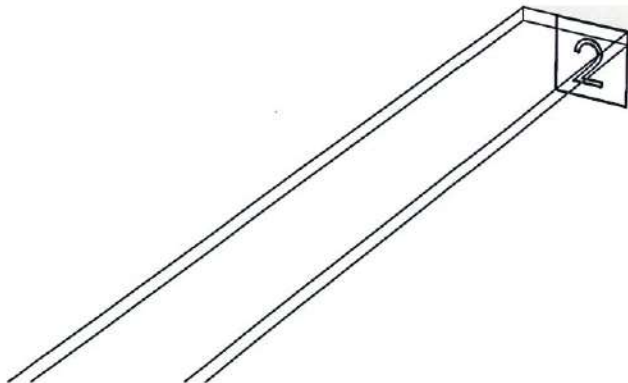
01.405=1 DWK3125AT  
01.4051=1 WHITE 01016  
01.47=1 WHITE

- K2R 160160436
- K3R 160161323
- K11L 160152691
- K13L 160161368
- K14L 160152715
- K15R 160152736
- K18R 160161391
- K19L 160161410

R&D REVIEW	
<input checked="" type="checkbox"/>	DWG.Customer
<input type="checkbox"/>	Work Report
<input type="checkbox"/>	Function
<input type="checkbox"/>	สินค้าตรงตัวช่าง
ผู้ทบทวน <u>พ.๕๖๖๖</u>	
<u>5 / 8 / 68</u>	



<b>Model</b>	-ROMM_CONVECT_DFB_1		
<b>Creator</b>	SUTTHI.P	<b>.BCP Name</b>	INDEX_C3D_KITCHENPAE
<b>Reviewer</b>		<b>Order</b>	0002614
<b>Approves</b>	<i>P. SAWA</i>	<b>Date</b>	09/07/2025



<b>Model</b>	ROMM_CONVECT_DFL_1		
<b>Creator</b>	SUTTHI.P	<b>.BCP Name</b>	INDEX_C3D_KITCHENPAE
<b>Reviewer</b>		<b>Order</b>	O002629
<b>Approves</b>	ป. ส. ว. ว. 1	<b>Date</b>	09/07/2025

## ROMM\_CONVECT\_DFL\_1-150X18X800

**Colour**

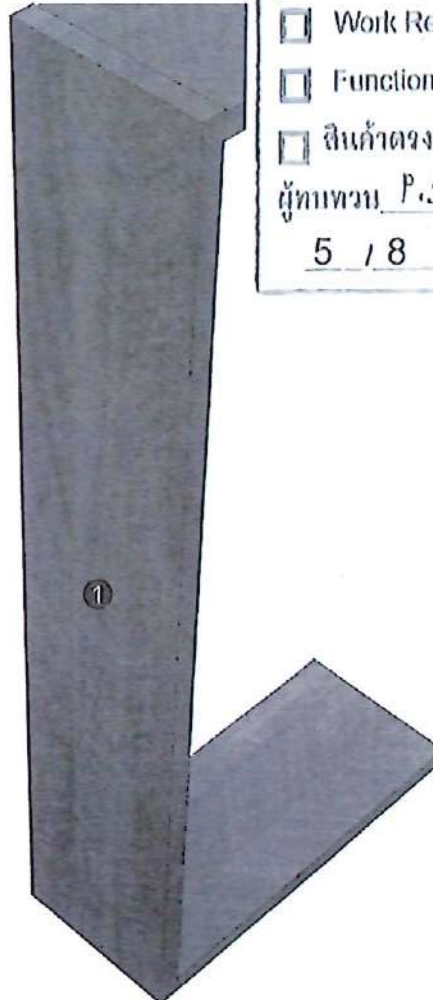
04.69=PB-E1 4'X8'T LAMINATE WILMIKA TEXT NO. W3125-16  
04.691=ALVIC LUMAX-SPP/4'X10'X18MM.-BLANCO SUPPERMATT(LX8  
05.01=ML WHITE VM1012 18/18

**Edge**

01.405=1 DWK3125AT  
01.4051=1 WHITE 01016  
01.47=1 WHITE

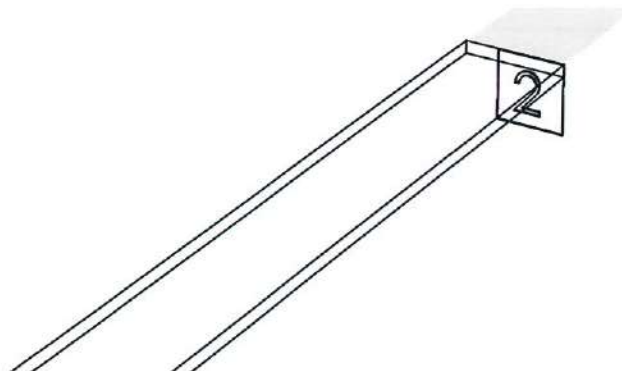
- K1R 160160423
- K2R 160160436
- K3R 160161323
- K4L 160166148
- K6L 160160455
- K10R 160161347
- K11L 160152691
- K13L 160161368
- K15R 160152736
- K18R 160161391
- K19L 160161410

-  K7R 160167026
-  K8R 160167049
-  K12R 160167080
-  K16L 160167101
-  K17L 160167121



R&D REVIEW	
<input checked="" type="checkbox"/>	DWG. Customer
<input type="checkbox"/>	Work Report
<input type="checkbox"/>	Function
<input type="checkbox"/>	สินค้าตรงตัวอย่าง
ผู้ทบทวน <u>ป. ส. ว. ว. 1</u>	
<u>5 / 8 / 68</u>	

<b>Model</b>	-ROMM_CONVECT_DFL_1		
<b>Creator</b>	SUTTHI.P	<b>.BCP Name</b>	INDEX_C3D_KITCHENPAE
<b>Reviewer</b>		<b>Order</b>	0002629
<b>Approves</b>	<i>พ. SAWA</i>	<b>Date</b>	09/07/2025



Model	ROMM_CONVECT_DFCL_2050_1		
Creator	SUTTHI.P	.BCP Name	INDEX_C3D_KITCHENPAE
Reviewer		Order	0002875
Approves	<u>P.SAWA</u>	Date	11/10/2025

## ROMM\_CONVECT\_DFCL\_2050\_1-2050X9X100

### Colour

04.69=PB-E1 4'X8'T LAMINATE WILMIKA TEXT NO. W3125-16  
04.691=ALVIC LUMAX-SPP/4'X10'X18MM.-BLANCO SUPPERMATT(LX8)

### Edge

01.405=1 DWK3125AT  
01.4051=1 WHITE 01016

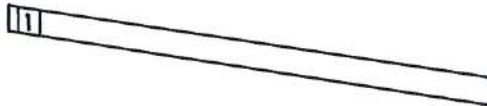
K8R 160167049

K20L 160167142

<b>R&amp;D REVIEW</b>	
<input checked="" type="checkbox"/>	DWG.Customer
<input type="checkbox"/>	Work Report
<input type="checkbox"/>	Function
<input type="checkbox"/>	สินค้าตรงตัวอย่าง
ผู้ทบทวน <u>P.SAWA</u>	
<u>31 / 10 / 68</u>	



<b>Model</b>	-ROMM_CONVECT_DFCL_2050_1		
<b>Creator</b>	SUTTHI.P	<b>.BCP Name</b>	INDEX_C3D_KITCHENPAE
<b>Reviewer</b>		<b>Order</b>	0002875
<b>Approves</b>	พ. SAWA	<b>Date</b>	11/10/2025



Model	ROMM_CONVECT_DFCL_1050_1		
Creator	SUTTHI.P	.BCP Name	INDEX_C3D_KITCHENPAE
Reviewer		Order	O002615
Approves	ป.สาวิณี	Date	09/07/2025

## ROMM\_CONVECT\_DFCL\_1050\_1-1050X9X100

Colour

04.69=PB-E1 4'X8'T LAMINATE WILMIKA TEXT NO. W3125-16  
04.691=ALVIC LUMAX-SPP/4'X10'X18MM.-BLANCO SUPPERMATT(LX8)

Edge

01.405=1 DWK3125AT  
01.4051=1 WHITE 01016

K11L 160152691

K19L 160161410



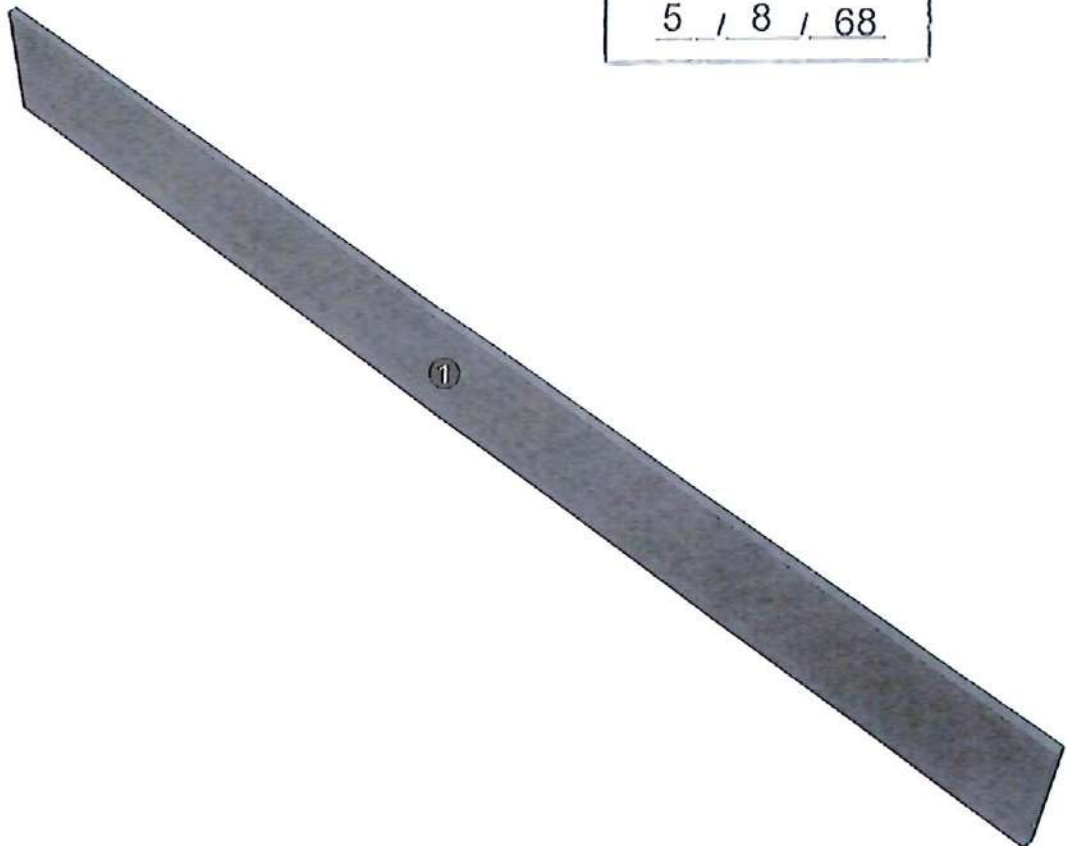
K8R 160167049

R&D REVIEW

- DWG.Customer
- Work Report
- Function
- สินค้าตรงตัวอย่าง

ผู้ทบทวน P.สาวิณี /

5 / 8 / 68



<b>Model</b>	-ROMM_CONVECT_DFCL_1050_1		
<b>Creator</b>	SUTTHI.P	<b>.BCP Name</b>	INDEX_C3D_KITCHENPAE
<b>Reviewer</b>		<b>Order</b>	0002615
<b>Approves</b>	<i>P. SAWA</i>	<b>Date</b>	09/07/2025



Model	ROMM_CONVECT_DFCL_1600_1		
Creator	SUTTHI.P	.BCP Name	INDEX_C3D_KITCHENPAE
Reviewer		Order	O002618
Approves	ป. ส. พ. พ. / 1	Date	09/07/2025

## ROMM\_CONVECT\_DFCL\_1600\_1-1600X9X100

**Colour**

04.69=PB-E1 4'X8'T LAMINATE WILMIKA TEXT NO. W3125-16

04.691=ALVIC LUMAX-SPP/4'X10'X18MM.-BLANCO SUPPERMATT(LX8

**Edge**

01.405=1 DWK3125AT

01.4051=1 WHITE 01016

K14L 160152715

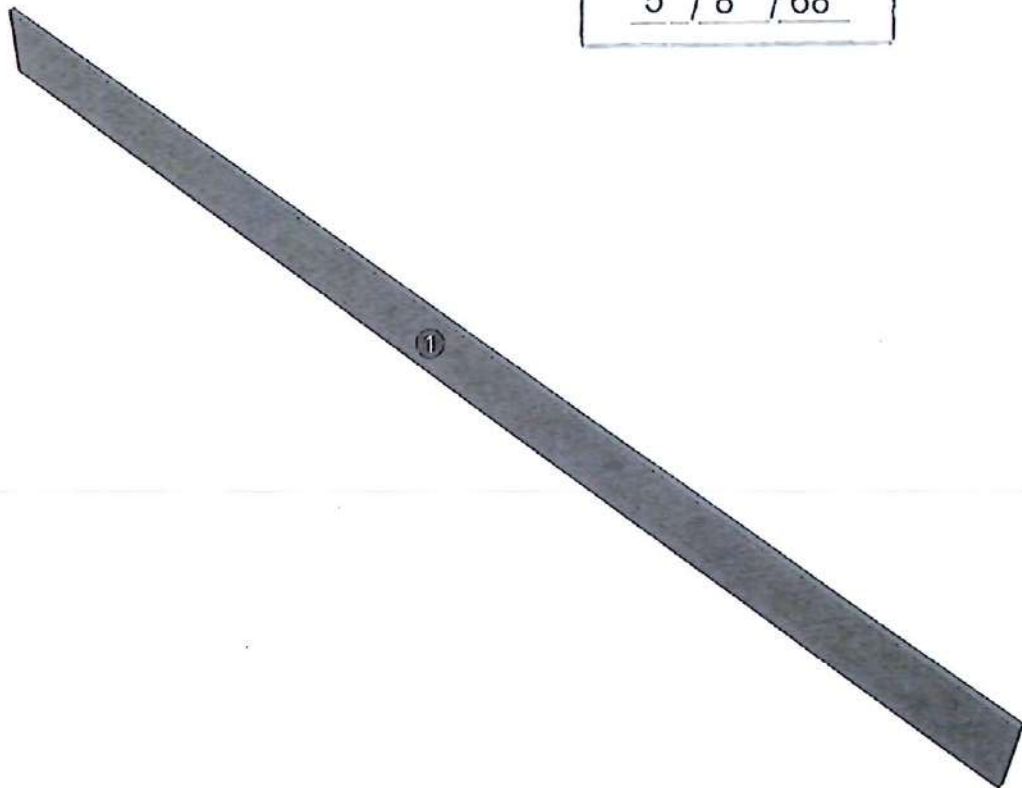


K7R 160167026

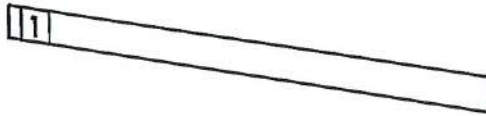


K8R 160167049

R&D REVIEW	
<input checked="" type="checkbox"/>	DWG.Customer
<input type="checkbox"/>	Work Report
<input type="checkbox"/>	Function
<input type="checkbox"/>	สินค้าตรงตัวอย่าง
ผู้ทบทวน <u>P. ส. พ. พ. / 1</u>	
<u>5 / 8 / 68</u>	



<b>Model</b>	-ROMM_CONVECT_DFCL_1600_1		
<b>Creator</b>	SUTTHI.P	<b>.BCP Name</b>	INDEX_C3D_KITCHENPAE
<b>Reviewer</b>		<b>Order</b>	O002618
<b>Approves</b>	<i>พ. Sawai</i>	<b>Date</b>	09/07/2025



Model	ROMM_CONVECT_DFCL_2150_1		
Creator	SUTTHI.P	.BCP Name	INDEX_C3D_KITCHENPAE
Reviewer		Order	O002763
Approves	ป. สิวา	Date	13/08/2025

## ROMM\_CONVECT\_DFCL\_2150\_1-2150X9X100

Colour

04.69=PB-E1 4'X8'T LAMINATE WILMIKA TEXT NO. W3125-16

04.691=ALVIC LUMAX-SPP/4'X10'X18MM.-BLANCO SUPPERMATT(LX8

Edge

01.405=1 DWK3125AT

01.47=1 WHITE

K18R 160161391

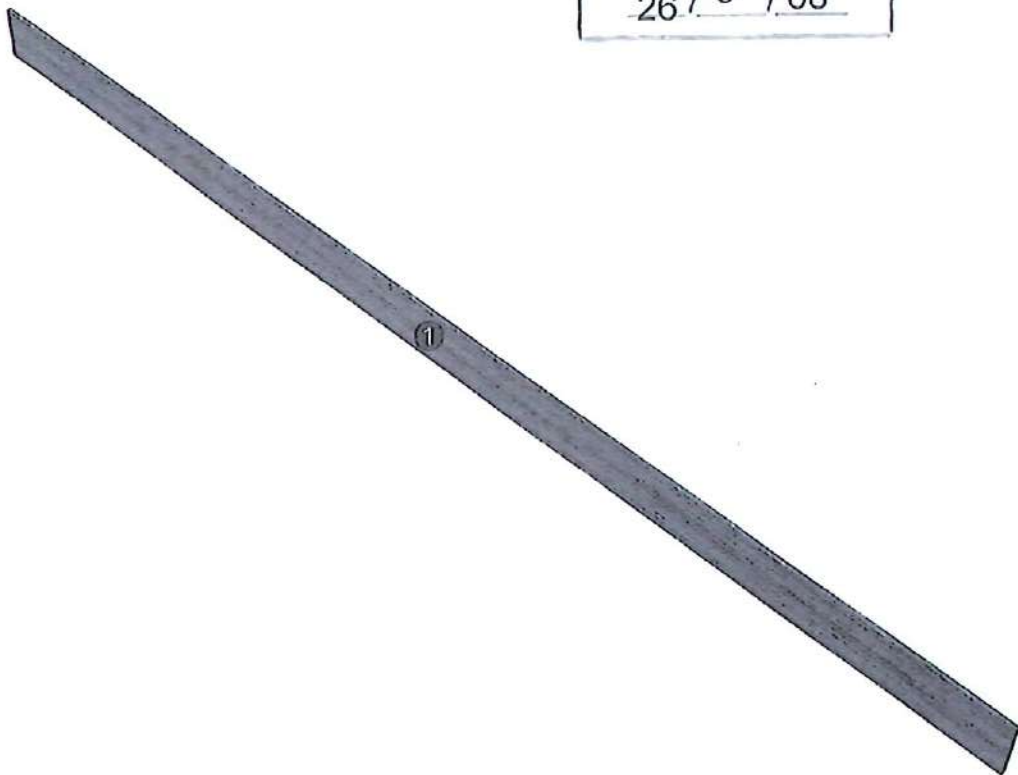


K7R 160167026



K8R 160167049

R&D REVIEW	
<input checked="" type="checkbox"/>	DWG.Customer
<input type="checkbox"/>	Work Report
<input type="checkbox"/>	Function
<input type="checkbox"/>	สินค้าตรงตัวอย่าง
ผู้ทบทวน P.สิิวา /	
26 / 8 / 68	



<b>Model</b>	-ROMM_CONVECT_DFCL_2150_1		
<b>Creator</b>	SUTTHI.P	<b>.BCP Name</b>	INDEX_C3D_KITCHENPAE
<b>Reviewer</b>		<b>Order</b>	O002763
<b>Approves</b>	<i>P. SAWA</i>	<b>Date</b>	13/08/2025



Model	ROMM_CONVECT_DPLT_1900_1		
Creator	SUTTHI.P	.BCP Name	INDEX_C3D_KITCHENPAE
Reviewer		Order	O002640
Approves	พ. Sawan	Date	10/07/2025

## ROMM\_CONVECT\_DPLT\_1900\_1-1900X9X100

### Colour

04.69=PB-E1 4'X8'T LAMINATE WILMIKA TEXT NO. W3125-16

04.691=ALVIC LUMAX-SPP/4'X10'X18MM.-BLANCO SUPPERMATT(LX8

### Edge

01.405=1 DWK3125AT

01.4051=1 WHITE 01016

K11L 160152691

K14L 160152715

 K8R 160167049

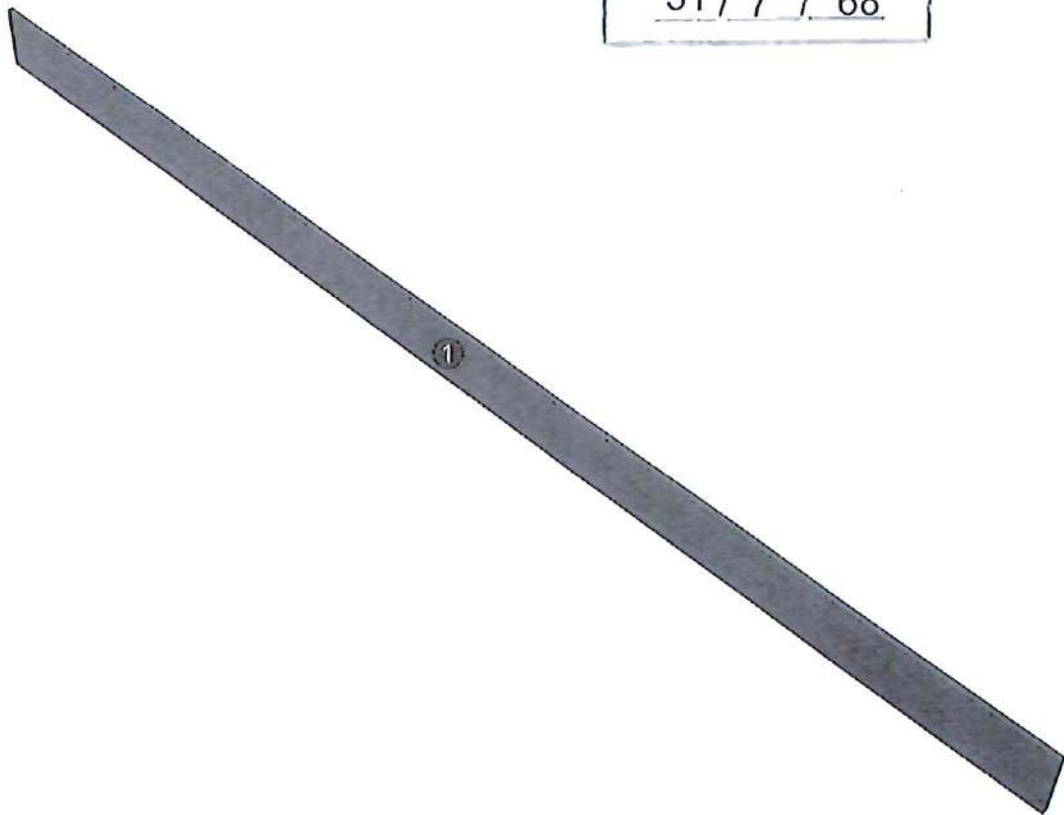
### R&D REVIEW

- DWG.Customer
- Work Report
- Function

สินค้าตรงตัวอย่าง

ผู้ทบทวน P.Sawan

31 / 7 / 68



<b>Model</b>	-ROMM_CONVECT_DPLT_1900_1		
<b>Creator</b>	SUTTHI.P	<b>.BCP Name</b>	INDEX_C3D_KITCHENPAE
<b>Reviewer</b>		<b>Order</b>	0002640
<b>Approves</b>	<i>P. Sawai</i>	<b>Date</b>	10/07/2025



<b>Model</b>	ROMM_CONVECT_DPLT_680_1		
<b>Creator</b>	SUTTHI.P	<b>.BCP Name</b>	INDEX_C3D_KITCHENPAE
<b>Reviewer</b>		<b>Order</b>	O002857
<b>Approves</b>	<i>P. SAWA</i>	<b>Date</b>	08/10/2025

## ROMM\_CONVECT\_DPLT\_680\_1-680X9X100

**Colour**

04.69=PB-E1 4'X8'T LAMINATE WILMIKA TEXT NO. W3125-16

04.691=ALVIC LUMAX-SPP/4'X10'X18MM.-BLANCO SUPPERMATT(LX8

**Edge**

01.405=1 DWK3125AT

01.47=1 WHITE

K7R 160167026

K8R 160167049

<b>R&amp;D REVIEW</b>	
<input checked="" type="checkbox"/>	DWG.Customer
<input type="checkbox"/>	Work Report
<input type="checkbox"/>	Function
<input type="checkbox"/>	สินค้าตรงตัวอย่าง
ผู้ทบทวน <u>P.SAWA</u>	
<u>31 / 10 / 68</u>	



<b>Model</b>	-ROMM_CONVECT_DPLT_680_1		
<b>Creator</b>	SUTTHI.P	<b>.BCP Name</b>	INDEX_C3D_KITCHENPAE
<b>Reviewer</b>		<b>Order</b>	O002857
<b>Approves</b>	P. SAWAI	<b>Date</b>	08/10/2025



<b>Model</b>	ROMM_CONVECT_DPLT_1320_1		
<b>Creator</b>	SUTTHI.P	<b>.BCP Name</b>	INDEX_C3D_KITCHENPAE
<b>Reviewer</b>		<b>Order</b>	0002842
<b>Approves</b>	<i>P. Sawai</i>	<b>Date</b>	08/10/2025

## ROMM\_CONVECT\_DPLT\_1320\_1-1320X9X100

**Colour**

04.69=PB-E1 4'X8'T LAMINATE WILMIKA TEXT NO. W3125-16

04.691=ALVIC LUMAX-SPP/4'X10'X18MM.-BLANCO SUPPERMATT(LX8

**Edge**

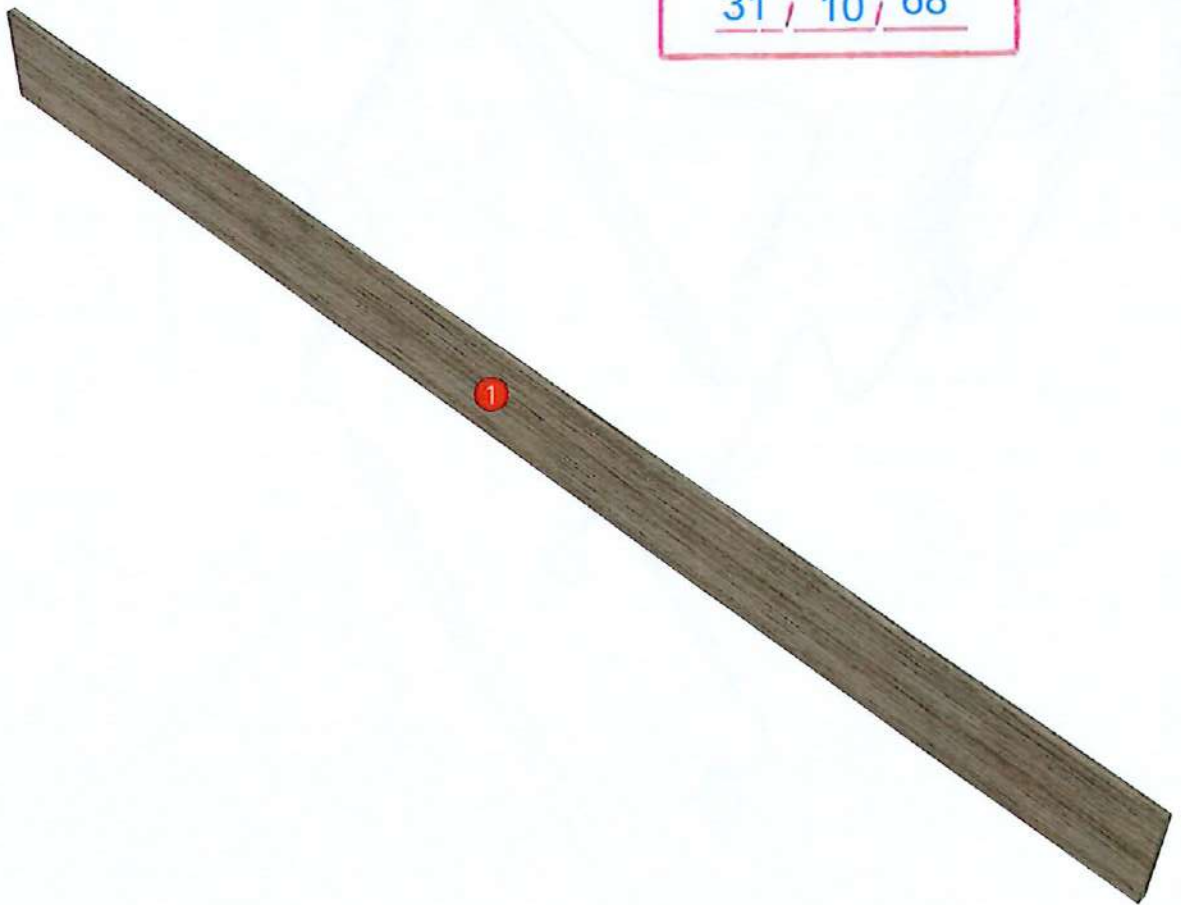
01.405=1 DWK3125AT

01.47=1 WHITE

K7R 160167026

K8R 160167049

<b>R&amp;D REVIEW</b>	
<input checked="" type="checkbox"/>	DWG.Customer
<input type="checkbox"/>	Work Report
<input type="checkbox"/>	Function
<input type="checkbox"/>	สินค้าตรงตัวอย่าง
ผู้ทบทวน <u>P.SAWAI</u>	
<u>31 / 10 / 68</u>	



<b>Model</b>	-ROMM_CONVECT_DPLT_1320_1		
<b>Creator</b>	SUTTHI.P	<b>.BCP Name</b>	INDEX_C3D_KITCHENPAE
<b>Reviewer</b>		<b>Order</b>	O002842
<b>Approves</b>	<i>พ. Sawan</i>	<b>Date</b>	08/10/2025



# interfurn

18/2 ม.4 ซ.ทรัพย์มหาโชค ถ.พระราม 2 ต.นาดี อ.เมือง จ.สมุทรสาคร 7400  
(034) 833413-22 Tel : 081-944-0608

Model	ROMM_CONVECT_DPLT_1730_1		
Creator	SUTTHI.P	.BCP Name	INDEX_C3D_KITCHENPAE
Reviewer		Order	0002771
Approves	พ. ๕๖๖๖	Date	13/08/2025

## ROMM\_CONVECT\_DPLT\_1730\_1-1730X9X100

Colour

04.69=PB-E1 4'X8'T LAMINATE WILMIKA TEXT NO. W3125-16

04.691=ALVIC LUMAX-SPP/4'X10'X18MM.-BLANCO SUPPERMATT(LX8

Edge

01.405=1 DWK3125AT

01.47=1 WHITE

K13L 160161368



K8R 160167049

R&D REVIEW

DWG.Customer

Work Report

Function

สิ้นค้าตรงตัวอย่าง

ผู้ทบทวน P.๕๖๖๖

3 / 9 / 68



PRODUCT SIZE DRAWING :W1730 X D9 X H100

PAGE 1

FR-AT-004 : REV#00 : 25/08/2563

<b>Model</b>	-ROMM_CONVECT_DPLT_1730_1		
<b>Creator</b>	SUTTHI.P	<b>.BCP Name</b>	INDEX_C3D_KITCHENPAE
<b>Reviewer</b>		<b>Order</b>	O002771
<b>Approves</b>	P. SAWA	<b>Date</b>	13/08/2025

1

Model	ROMM_CONVECT_DUT_1800_1		
Creator	SUTTHI.P	.BCP Name	INDEX_C3D_KITCHENPAE
Reviewer		Order	O002654
Approves	ป. Sawal	Date	10/07/2025

## ROMM\_CONVECT\_DUT\_1800\_1-1800X16X50

### Colour

04.69=LAMINATE HPL DWK3125AT EDL  
04.691=ALVIC LUMAX-SPP/4'X10'X18MM.-BLANCO SUPPERMATT(LX8  
05.01=ML WHITE VMI012 18/18


### Edge

01.405=1 DWK3125AT  
01.4051=1 WHITE 01016  
01.47=1 WHITE

K1R 160160423

K11L 160152691

K14L 160152715

 K7R 160167026

 K8R 160167049

 K17L 160167121

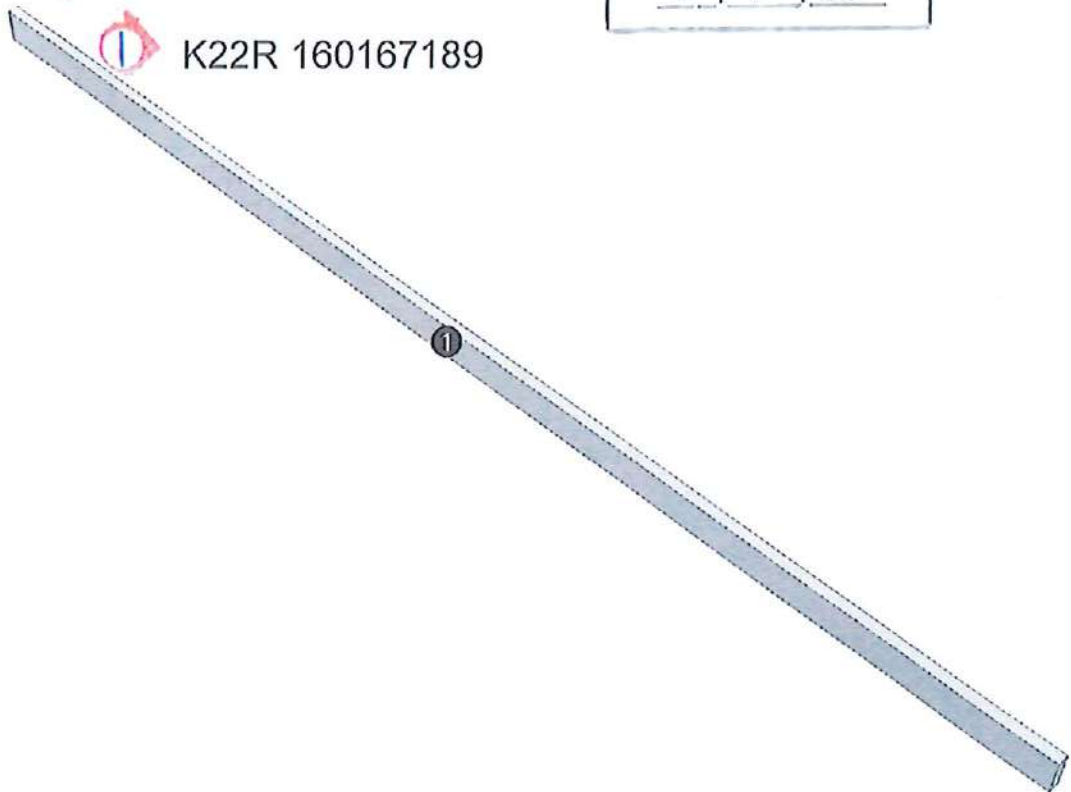
 K22R 160167189

### R&D REVIEW

- DWG.Customer
- Work Report
- Function
- สินค้าตรงตัวอย่าง

ผู้ทบทวน P.SAWAL

9 / 7 / 68



<b>Model</b>	-ROMM_CONVECT_DUT_1800_1		
<b>Creator</b>	SUTTHI.P	<b>.BCP Name</b>	INDEX_C3D_KITCHENPAE
<b>Reviewer</b>		<b>Order</b>	0002654
<b>Approves</b>	พ. SAWA	<b>Date</b>	10/07/2025



<b>Model</b>	ROMM_CONVECT_DUT_1400I_1		
<b>Creator</b>	SUTTHI.P	<b>.BCP Name</b>	INDEX_C3D_KITCHENPAE
<b>Reviewer</b>		<b>Order</b>	0002866
<b>Approves</b>	<i>P. SAWA</i>	<b>Date</b>	10/10/2025

## ROMM\_CONVECT\_DUT\_1400I\_1-1400X600X18

### Colour

04.69=PB-E1 4'X8'T LAMINATE WILMIKA TEXT NO. W3125-16

04.691=ALVIC LUMAX-SPP/4'X10'X18MM.-BLANCO SUPPERMATT(LX8

05.01=ML WHITE VM1012 18/18

### Edge

01.405=1 DWK3125AT

01.4051=1 WHITE 01016

01.47=1 WHITE

K7R 160167026

K8R 160167049



<b>R&amp;D REVIEW</b>	
<input checked="" type="checkbox"/>	DWG.Customer
<input type="checkbox"/>	Work Report
<input type="checkbox"/>	Function
<input type="checkbox"/>	สินค้าตรงตัวอย่าง
ผู้ทบทวน <u>P.SAWA</u>	
<u>31 / 10 / 68</u>	

<b>Model</b>	-ROMM_CONVECT_DUT_1400I_1		
<b>Creator</b>	SUTTHI.P	<b>.BCP Name</b>	INDEX_C3D_KITCHENPAE
<b>Reviewer</b>		<b>Order</b>	0002866
<b>Approves</b>	<i>พ. ส. ว. 1</i>	<b>Date</b>	10/10/2025



Model	ROMM_CONVECT_DEP_600I_1		
Creator	SUTTHI.P	.BCP Name	INDEX_C3D_KITCHENPAE
Reviewer		Order	O002610
Approves	ป. Sawai	Date	09/07/2025

## ROMM\_CONVECT\_DEP\_600I\_1-600X12X860

### Colour

04.69=PB-E1 4'X8'T LAMINATE WILMIKA TEXT NO. W3125-16  
04.691=ALVIC LUMAX-SPP/4'X10'X18MM.-BLANCO SUPPERMATT(LX8  
05.01=ML WHITE VM1012 18/18

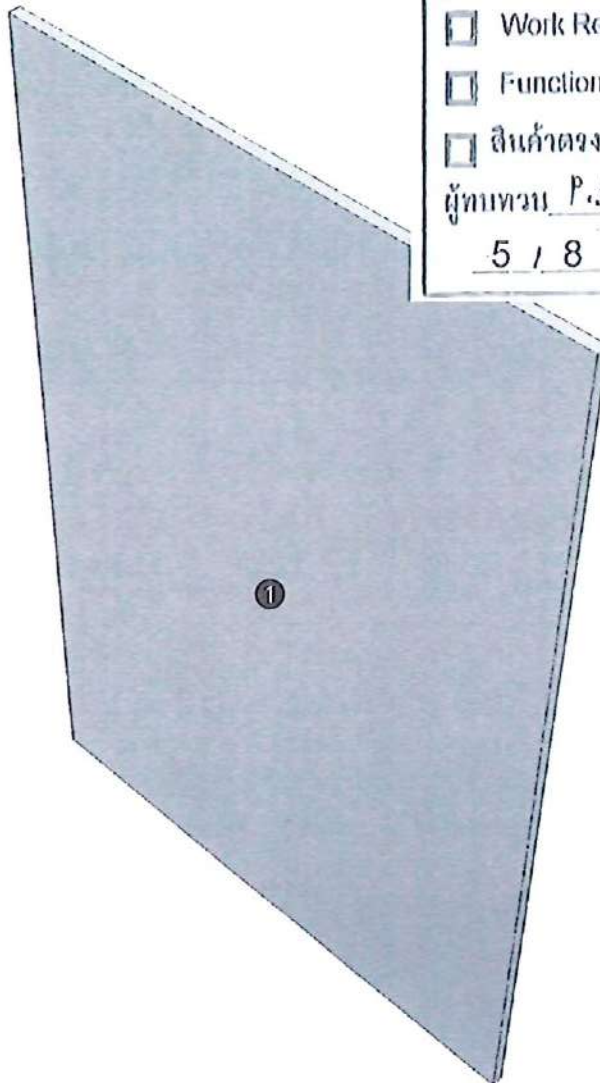
### Edge

01.405=1 DWK3125AT  
01.4051=1 WHITE 01016  
01.47=1 WHITE

K6L 160160455

K19L 160161410

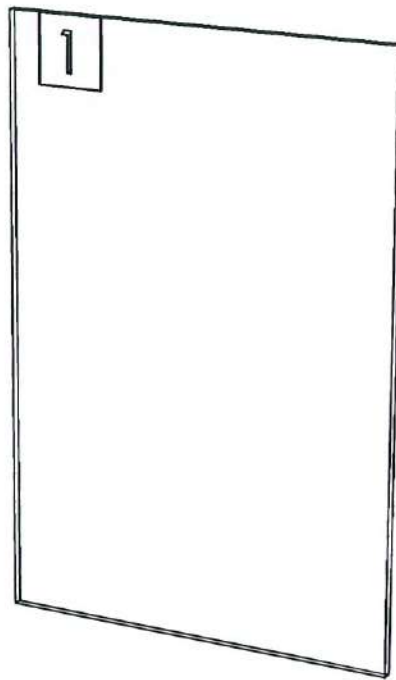
R&D REVIEW	
<input checked="" type="checkbox"/>	DWG.Customer
<input type="checkbox"/>	Work Report
<input type="checkbox"/>	Function
<input type="checkbox"/>	สินค้าตรงตัวอย่าง
ผู้ทบทวน <u>P.SAWAI</u>	
<u>5 / 8 / 68</u>	



K7R 160167026

K8R 160167049

<b>Model</b>	-ROMM_CONVECT_DEP_600I_1		
<b>Creator</b>	SUTTHI.P	<b>.BCP Name</b>	INDEX_C3D_KITCHENPAE
<b>Reviewer</b>		<b>Order</b>	O002610
<b>Approves</b>	<i>พ. Sawan</i>	<b>Date</b>	09/07/2025



<b>Model</b>	ROMM_CONVECT_DEP1320_1		
<b>Creator</b>	SUTTHI.P	<b>.BCP Name</b>	INDEX_C3D_KITCHENPAE
<b>Reviewer</b>		<b>Order</b>	0002931
<b>Approves</b>	<i>P. SAWA</i>	<b>Date</b>	15/10/2025

## ROMM\_CONVECT\_DEP1320\_1-1320X18X860

**Colour**

04.69=PB-E1 4'X8'T LAMINATE WILMIKA TEXT NO. W3125-16

04.691=ALVIC LUMAX-SPP/4'X10'X18MM.-BLANCO SUPPERMATT(LX8

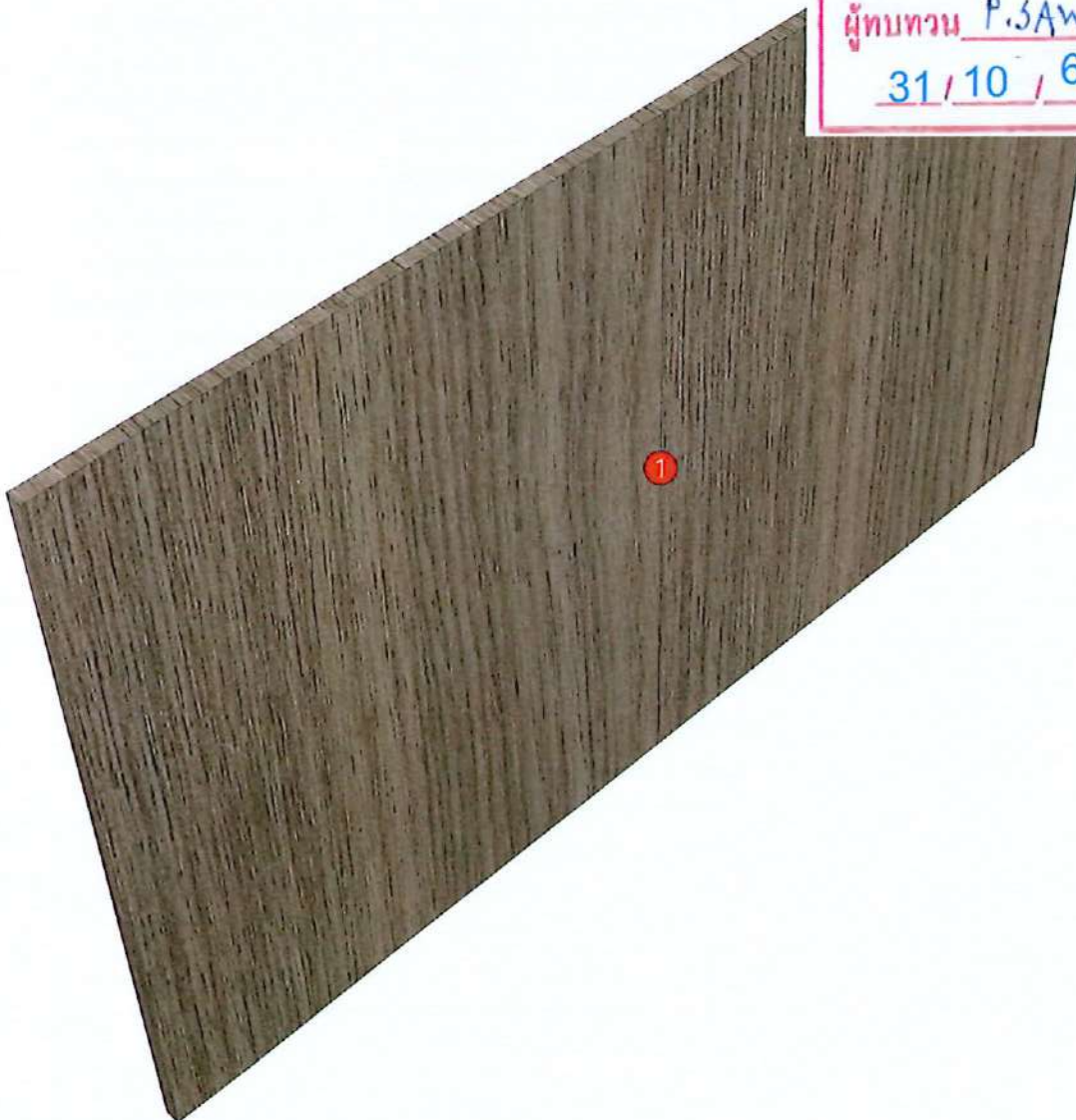
**Edge**

01.405=1 DWK3125AT

01.4051=1 WHITE 01016

K7R 160167026

K8R 160167049

**R&D REVIEW** DWG.Customer Work Report Function สินค้าตรงตัวอย่างผู้ทบทวน P.SAWA31 / 10 / 68

<b>Model</b>	-ROMM_CONVECT_DEP1320_1		
<b>Creator</b>	SUTTHI.P	<b>.BCP Name</b>	INDEX_C3D_KITCHENPAE
<b>Reviewer</b>		<b>Order</b>	O002931
<b>Approves</b>	<i>P. SAWAI</i>	<b>Date</b>	15/10/2025

