

Model	LIFE_CN_DBO667L		
Creator	PASATHORN	.BCP Name	INDEX_C3D_KITCHEN2
Reviewer		Order	I004271
Approves		Date	01/07/2025

LIFE_CN_DBO667L-667X570X913

Colour

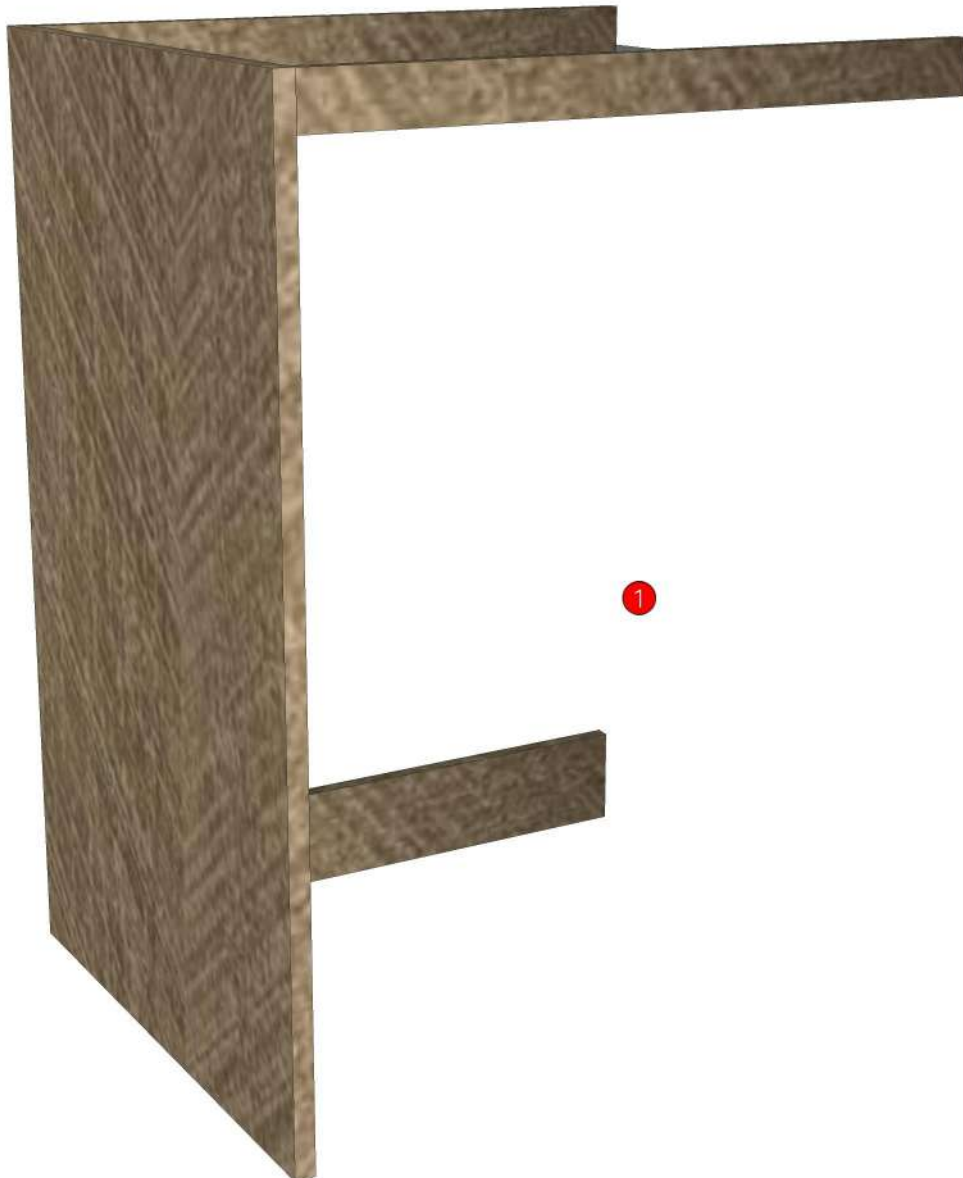
05.38 ML MD692 (SS)_
05.30 ML WHITE SAND #VM1012/2610/2610(PEARL)_

Edge

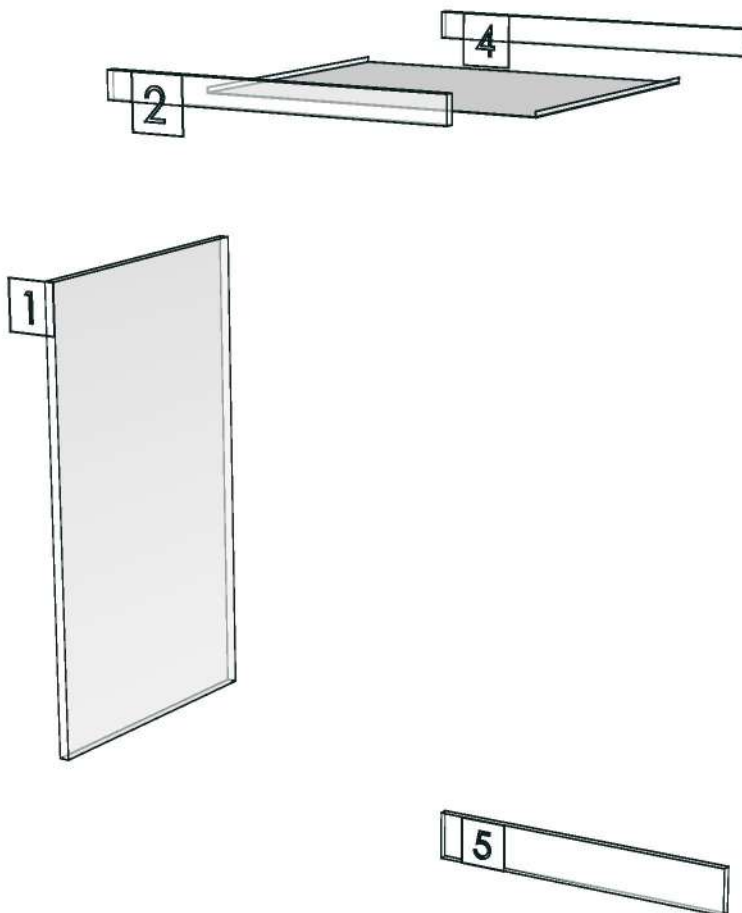
01.286 1 MD692 _
01.47 1 WHITE _

R&D REVIEW	
<input checked="" type="checkbox"/>	DWG.Customer
<input checked="" type="checkbox"/>	Work Report
<input type="checkbox"/>	Function
<input type="checkbox"/>	สินค้าตรงตัวอย่าง
ผู้ทบทวน _____	

K102R-160166018



Model	-LIFE_CN_DBO667L		
Creator		.BCP Name	INDEX_C3D_KITCHEN2
Reviewer		Order	I004271
Approves		Date	



Model	LIFE_CN_DBS681RGL		
Creator	PASATHORN	.BCP Name	INDEX_C3D_KITCHEN2
Reviewer		Order	I004297
Approves	P.SAWAI	Date	17/07/2025

LIFE_CN_DBS681RGL-681X570X913

Colour

05.38 ML MD692 (SS)_

05.30 ML WHITE SAND #VM1012/2610/2610(PEARL)_

-

-

-

Edge

01.286 1 MD692 _

01.457 0.6 MD692 _

-

-

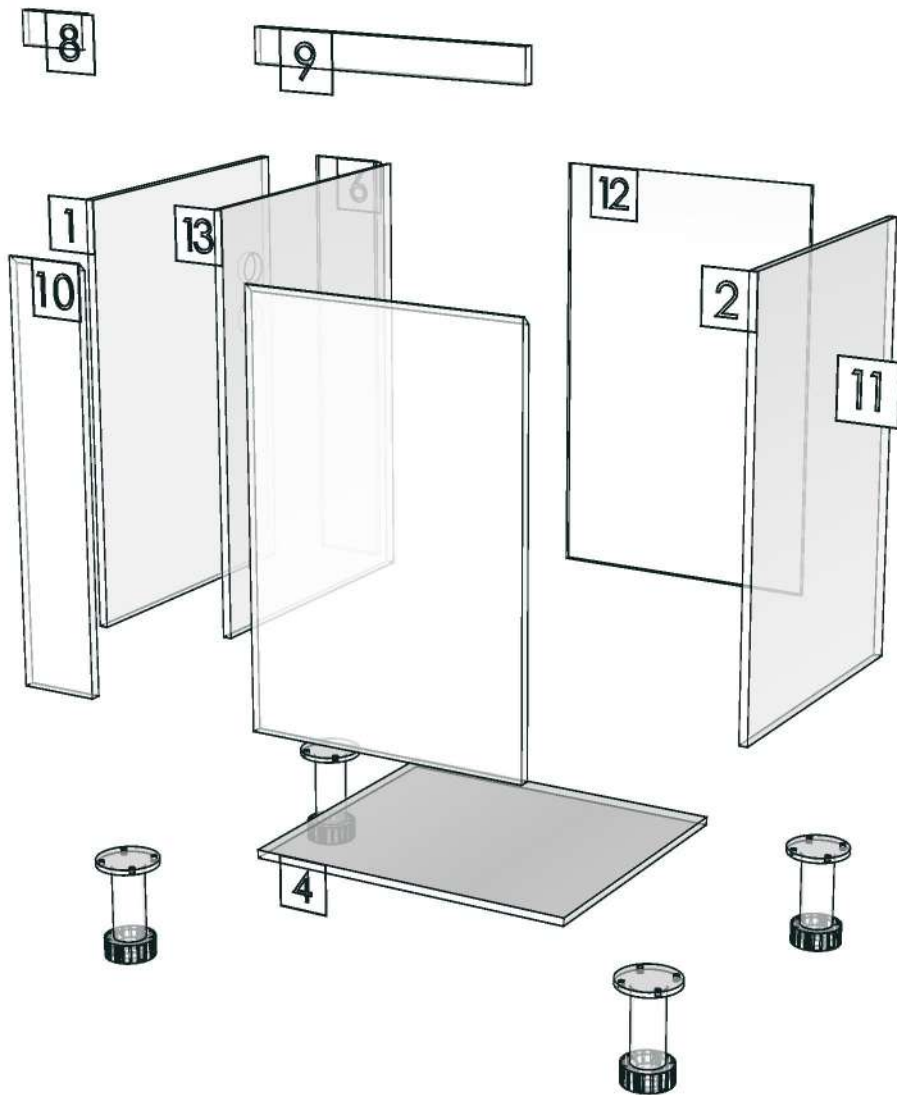
-



K102R-160166018



Model	-LIFE_CN_DBS681RGL		
Creator		.BCP Name	INDEX_C3D_KITCHEN2
Reviewer		Order	I004297
Approves	P.SAWAI	Date	



Model	LIFE_CN_DDM600		
Creator	PASATHORN	.BCP Name	INDEX_C3D_KITCHEN2
Reviewer		Order	I003906
Approves	P.SAWAI	Date	31/01/2025

LIFE_CN_DDM600-600X16X150

Colour

05.38 ML MD692 (SS)_

-

-

-

K100L-160165993

K100R-160157181

K102L-160166010

K102R-160166018

K105L-160136079

Edge

01.286 1 MD692 _

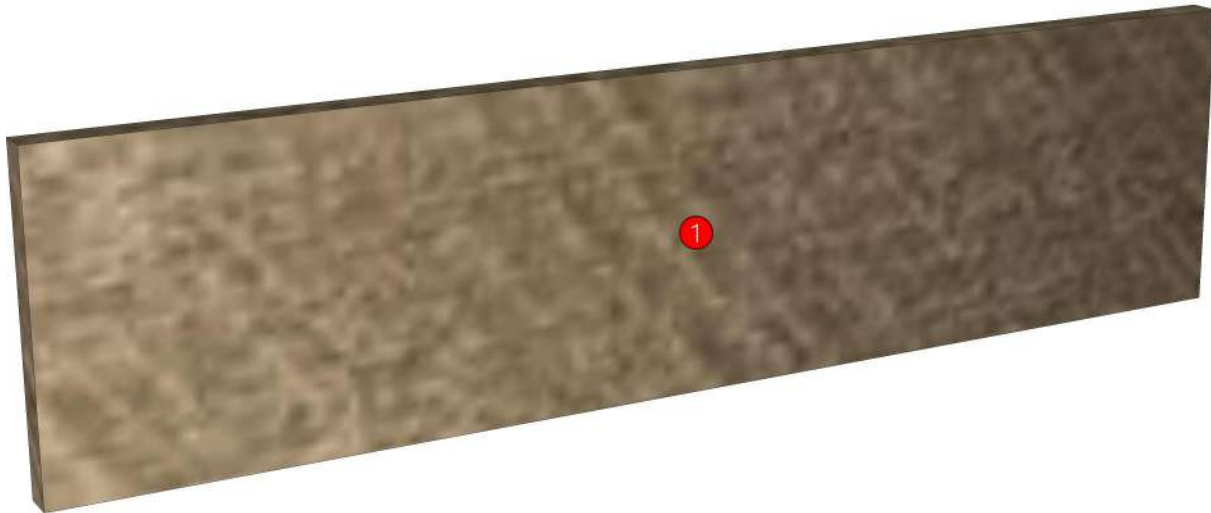
-

-

-

-

R&D REVIEW	
<input checked="" type="checkbox"/>	DWG.Customer
<input checked="" type="checkbox"/>	Work Report
<input type="checkbox"/>	Function
<input type="checkbox"/>	สินค้าตรงตัวอย่าง
ผู้ทบทวน <u>P.SAWAI</u>	
<u>31/01/25</u>	



Model	LIFE_CN_DDM600		
Creator	PASATHORN	.BCP Name	INDEX_C3D_KITCHEN2
Reviewer		Order	I003906
Approves	P.SAWAI	Date	31/01/2025

No.	Article No.	Description	Mat	Dimension	Cutting Size	Typepology	Skin
0	LIFE_CN_DDM600	LIFE_CN_DDM600		600x150x16			
	LIFE_CN_DDM600-01	DDM-SP	PB-SP	16x150x600	16X148X598;L2:W2	183000_STR=05.38_EDG=MD692-1	2

Model	LIFE_CN_DFB		
Creator	PASATHORN	.BCP Name	INDEX_C3D_KITCHEN2
Reviewer		Order	I004279
Approves	P.SAWAI	Date	03/07/2025

LIFE_CN_DFB-150X16X813

Colour

05.38 ML MD692 (SS)_

-
-
-
-

Edge

01.286 1 MD692 _

-
-
-
-

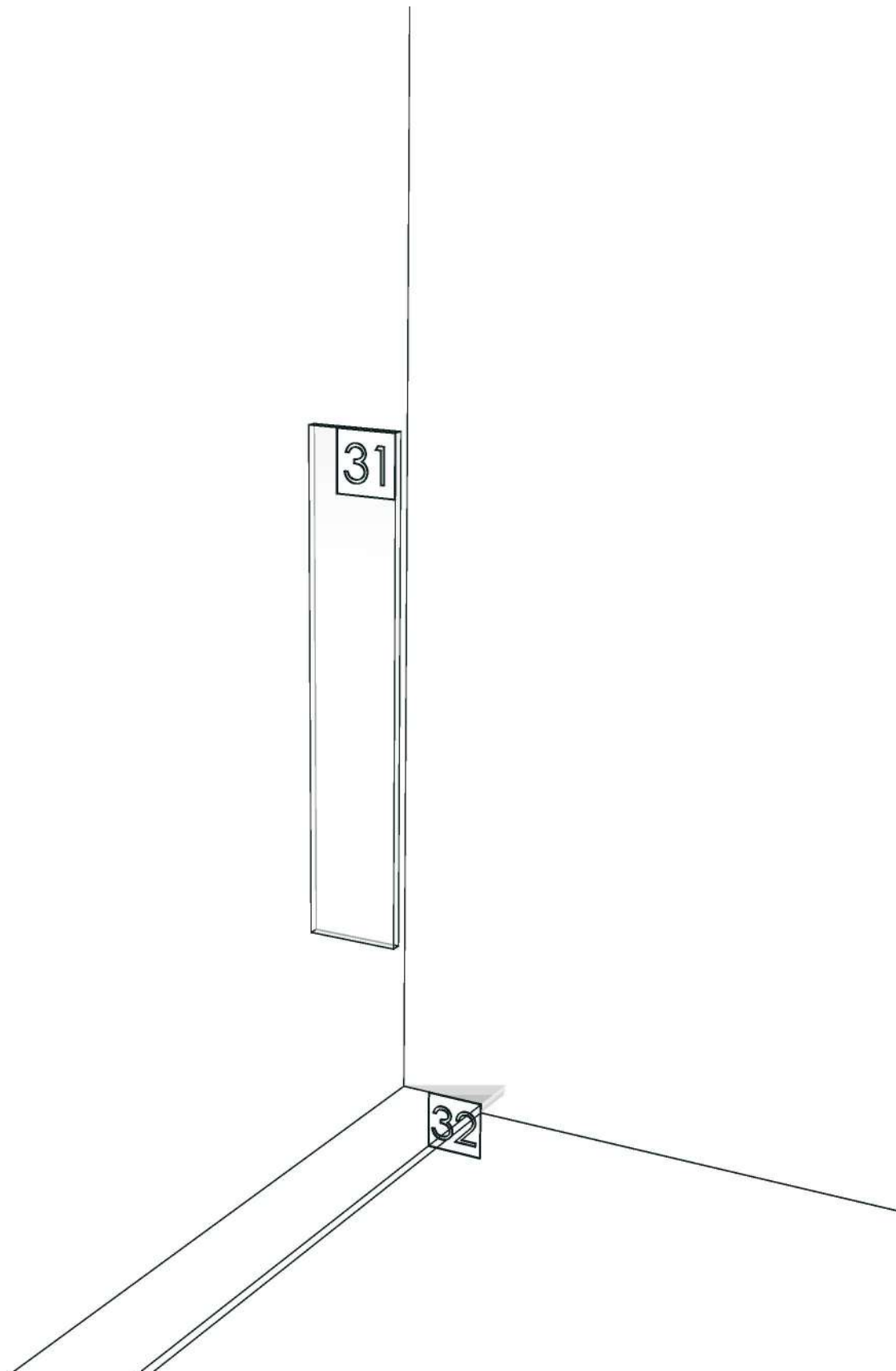
R&D REVIEW	
<input checked="" type="checkbox"/>	DWG.Customer
<input checked="" type="checkbox"/>	Work Report
<input type="checkbox"/>	Function
<input type="checkbox"/>	สินค้าตรงตัวอย่าง
ผู้ทบทวน P.SAWAI	
03/07/25	

K102L-160166010

K102R-160166018



Model	-LIFE_CN_DFB		
Creator		.BCP Name	INDEX_C3D_KITCHEN2
Reviewer		Order	I004279
Approves	P.SAWAI	Date	



Model	LIFE_CN_DFLMV		
Creator	PASATHORN	.BCP Name	INDEX_C3D_KITCHEN2
Reviewer		Order	I004258
Approves	P.SAWAI	Date	30/06/2025

LIFE_CN_DFLMV-150X16X1050

Colour

05.38 ML MD692 (SS)_

-
-
-
-

Edge

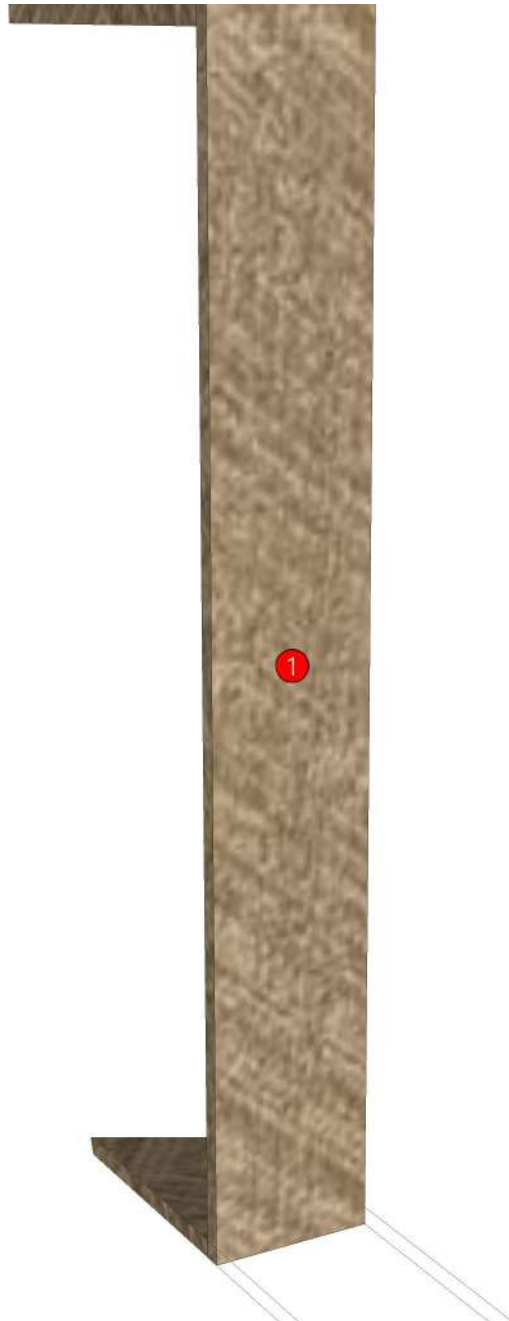
01.286 1 MD692 _

-
-
-
-

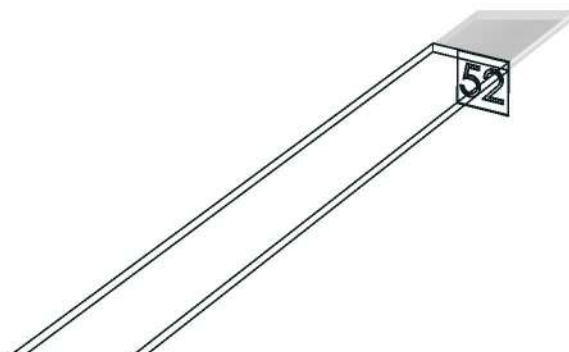
R&D REVIEW	
<input checked="" type="checkbox"/>	DWG.Customer
<input checked="" type="checkbox"/>	Work Report
<input type="checkbox"/>	Function
<input type="checkbox"/>	สินค้าตรงตัวอย่าง
ผู้ทบทวน <u>P.SAWAI</u>	
<u>30/06/25</u>	

K102L-160166010

K102R-160166018



Model	-LIFE_CN_DFLMV		
Creator		.BCP Name	INDEX_C3D_KITCHEN2
Reviewer		Order	I004258
Approves	P.SAWAI	Date	



Model	LIFE_CN_DF_CL1450		
Creator	PASATHORN	.BCP Name	INDEX_C3D_KITCHEN2
Reviewer		Order	I004255
Approves		Date	30/06/2025

LIFE_CN_DF_CL1450-1450X16X155

Colour

05.38 ML MD692 (SS)_

-

-

-

-

Edge

01.286 1 MD692 _

-

-

-

-

R&D REVIEW	
<input checked="" type="checkbox"/>	DWG.Customer
<input checked="" type="checkbox"/>	Work Report
<input type="checkbox"/>	Function
<input type="checkbox"/>	สินค้าตรงตัวอย่าง
ผู้ทบทวน _____	

K102L

K102R



Model	LIFE_CN_DF_CL1450		
Creator	PASATHORN	.BCP Name	INDEX_C3D_KITCHEN2
Reviewer		Order	I004255
Approves		Date	30/06/2025

No.	Article No.	Description	Mat	Dimension	Cutting Size	Typepology	Skin
0	LIFE_CN_DF_CL1450 LIFE_CN_DF_CL1450-01	LIFE_CN_DF_CL1450 DF_CL-SP	PB-SP	1450x155x16 16x155x1450	16X154X1449;L1:W1	183000_STR=05.38_EDG=MD692-1	2

Model	LIFE_CN_DF_CL350		
Creator	PASATHORN	.BCP Name	INDEX_C3D_KITCHEN2
Reviewer		Order	I003898
Approves	P.SAWAI	Date	31/01/2025

LIFE_CN_DF_CL350-350X16X155

Colour

05.38 ML MD692 (SS)_

-

-

-

K100L-160165993

K100R-160157181

K102L-160166010

K102R-160166018

K103L-160157198

K104L-160136071

K105L-160136079

Edge

01.286 1 MD692 _

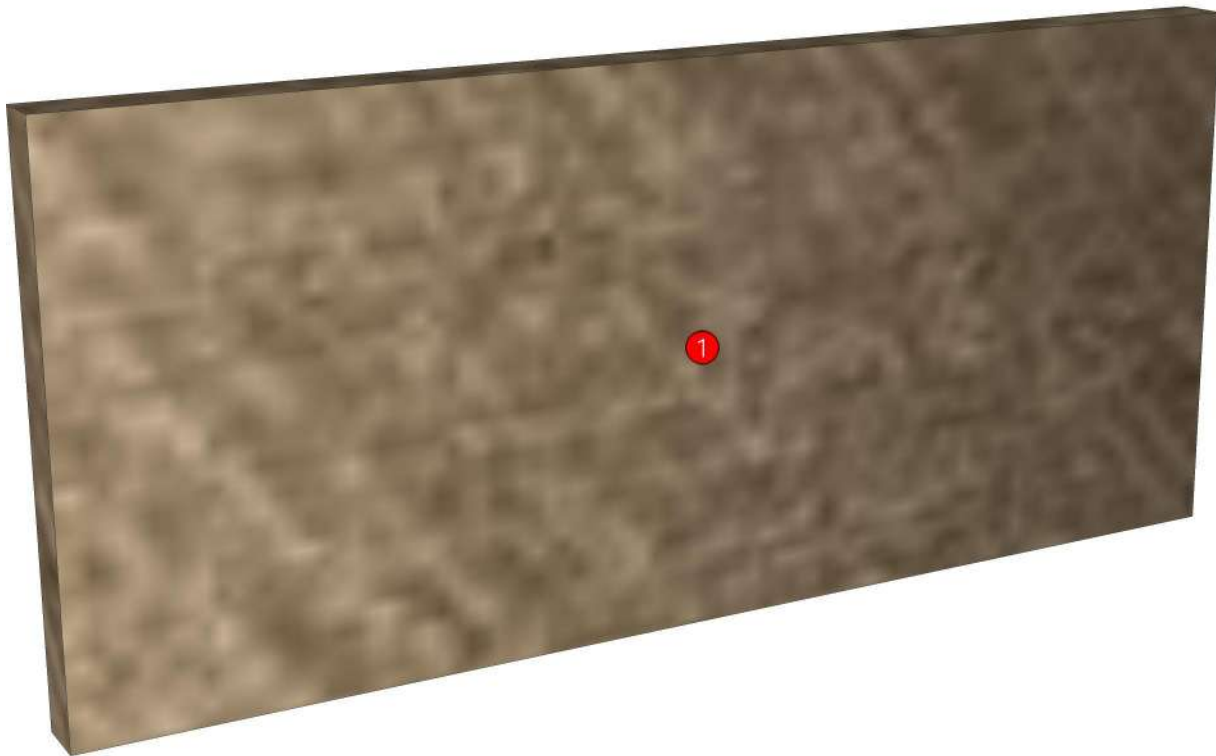
-

-

-

-

R&D REVIEW	
<input checked="" type="checkbox"/>	DWG.Customer
<input checked="" type="checkbox"/>	Work Report
<input type="checkbox"/>	Function
<input type="checkbox"/>	สินค้าตรงตัวอย่าง
ผู้ทบทวน <u>P.SAWAI</u>	
<u>31/01/25</u>	



Model	LIFE_CN_DF_CL350		
Creator	PASATHORN	.BCP Name	INDEX_C3D_KITCHEN2
Reviewer		Order	I003898
Approves	P. SAWAI	Date	31/01/2025

No.	Article No.	Description	Mat	Dimension	Cutting Size	Typepology	Skin
0	LIFE_CN_DF_CL350	LIFE_CN_DF_CL350		350x155x16			
	LIFE_CN_DF_CL350-01	DF_CL-SP	PB-SP	16x155x350	16X154X349;L1:W1	183000_STR=05.38_EDG=MD692-1	2

Model	LIFE_CN_DL60HLS		
Creator	PASATHORN	.BCP Name	INDEX_C3D_KITCHEN2
Reviewer		Order	I003921
Approves	P.SAWAI	Date	05/02/2025

LIFE_CN_DL60HLS-600X350X860

Colour

05.38 ML MD692 (SS)_
05.30 ML WHITE SAND #VM1012/2610/2610(PEARL)_
-
-
-
K100R-160157181

Edge

01.286 1 MD692 _
01.47 1 WHITE _
-
-
-

R&D REVIEW

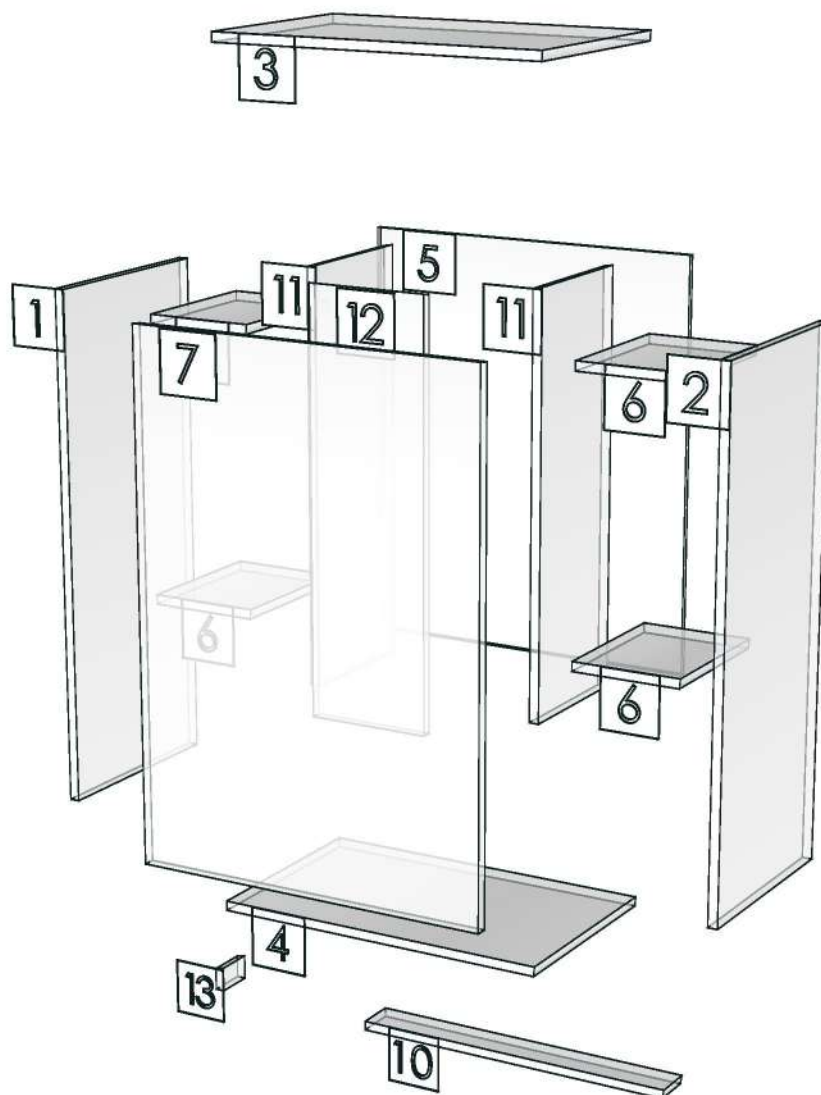
- DWG.Customer
- Work Report
- Function
- สินค้าตรงตัวอย่าง

ผู้ทบทวน P.SAWAI
05/02/2025

K102R-160166018



Model	-LIFE_CN_DL60HLS		
Creator		.BCP Name	INDEX_C3D_KITCHEN2
Reviewer		Order	I003921
Approves	P.SAWAI	Date	



Model	LIFE_CN_DLMV75		
Creator	PASATHORN	.BCP Name	INDEX_C3D_KITCHEN2
Reviewer		Order	I004276
Approves	P.SAWAI	Date	03/07/2025

LIFE_CN_DLMV75-750X400X1050

Colour

05.38 ML MD692 (SS)_

05.30 ML WHITE SAND #VM1012/2610/2610(PEARL)_

-

-

-

Edge

01.286 1 MD692 _

01.47 1 WHITE _

-

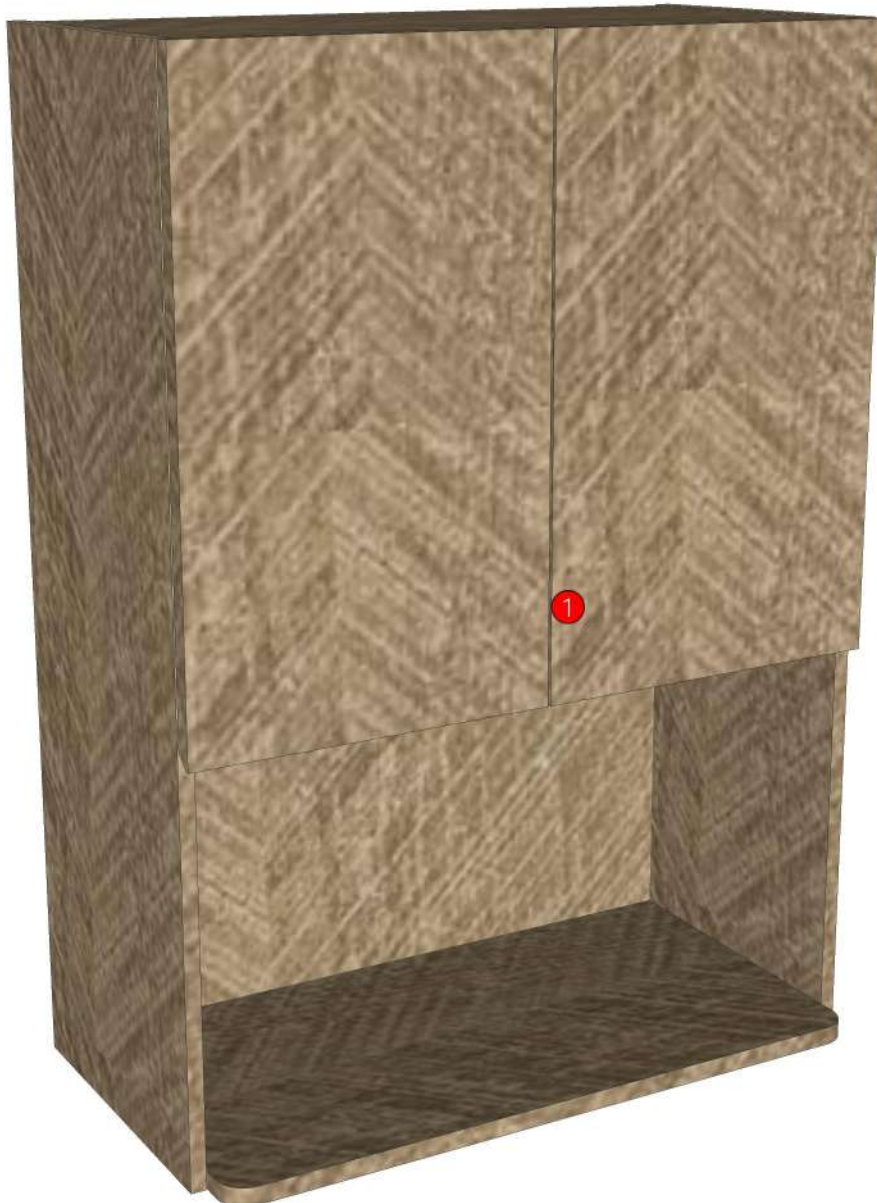
-

-

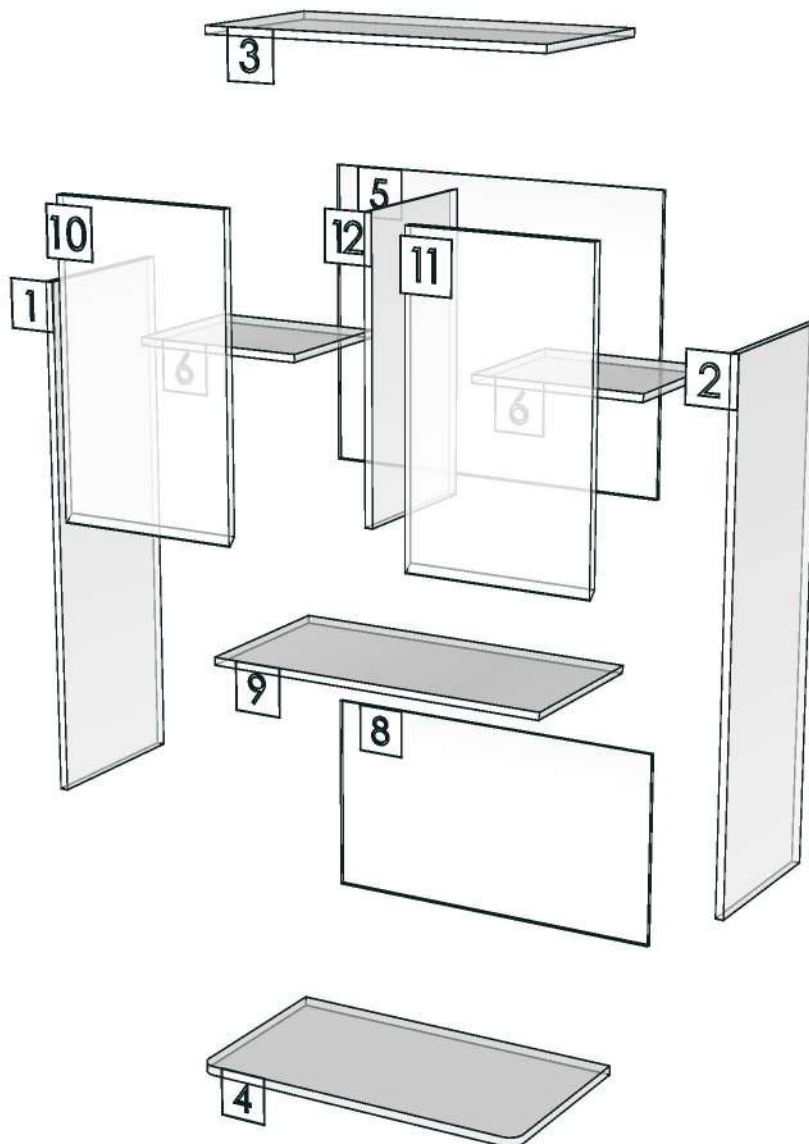
R&D REVIEW	
<input checked="" type="checkbox"/>	DWG.Customer
<input checked="" type="checkbox"/>	Work Report
<input type="checkbox"/>	Function
<input type="checkbox"/>	สินค้าตรงตัวอย่าง
ผู้ทบทวน <u>P.SAWAI</u>	
<u>03/07/25</u>	

K102L-160166010

K102R-160166018



Model	-LIFE_CN_DLMV75		
Creator		.BCP Name	INDEX_C3D_KITCHEN2
Reviewer		Order	I004276
Approves	P.SAWAI	Date	



Model	LIFE_CN_D_PLT600		
Creator	PASATHORN	.BCP Name	INDEX_C3D_KITCHEN2
Reviewer		Order	I003895
Approves	P.SAWAI	Date	31/01/2025

LIFE_CN_D_PLT600-600X9X100

Colour

05.38 ML MD692 (SS)_

-

-

-

K100L-160165993

K100R-160157181

K101L-160157188

K101R-160166000

K102L-160166010

K102R-160166018

K103L-160157198

K104L-160136071

K105L-160136079

Edge

01.286 1 MD692 _

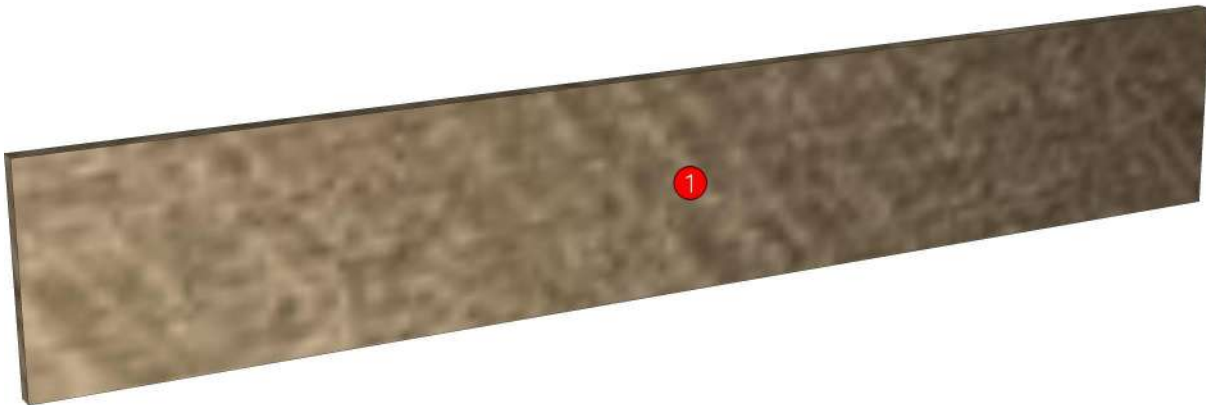
-

-

-

-

R&D REVIEW	
<input checked="" type="checkbox"/>	DWG.Customer
<input checked="" type="checkbox"/>	Work Report
<input type="checkbox"/>	Function
<input type="checkbox"/>	สินค้าตรงตัวอย่าง
ผู้ทบทวน <u>P.SAWAI</u>	
<u>31/01/25</u>	



Model	LIFE_CN_D_PLT600		
Creator	PASATHORN	.BCP Name	INDEX_C3D_KITCHEN2
Reviewer		Order	I003895
Approves	P.SAWAI	Date	31/01/2025

No.	Article No.	Description	Mat	Dimension	Cutting Size	Typepology	Skin
0	LIFE_CN_D_PLT600	LIFE_CN_D_PLT600		600x100x9			
	LIFE_CN_D_PLT600-01	D_PLINT-SP	PB-SP	9x100x600	9X98X598;L2:W2	183000 _STR=05.38 _EDG=MD692-1	2

Model	LIFE_CN_D_PLT800		
Creator	PASATHORN	.BCP Name	INDEX_C3D_KITCHEN2
Reviewer		Order	I003897
Approves	P.SAWAI	Date	31/01/2025

LIFE_CN_D_PLT800-800X9X100

Colour

05.38 ML MD692 (SS)_

-
-
-
-

Edge

01.286 1 MD692 _

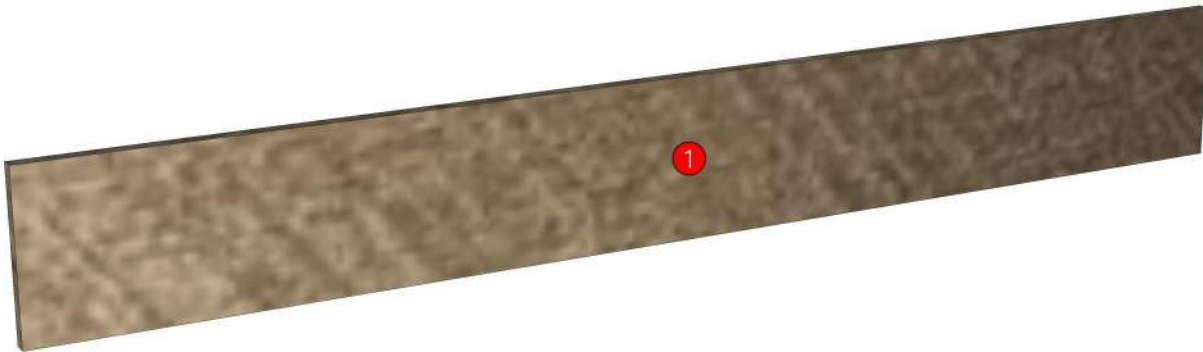
-
-
-
-

R&D REVIEW	
<input checked="" type="checkbox"/>	DWG.Customer
<input checked="" type="checkbox"/>	Work Report
<input type="checkbox"/>	Function
<input type="checkbox"/>	สินค้าตรงตัวอย่าง
ผู้ทบทวน <u>P.SAWAI</u>	
<u>31/01/25</u>	

K102L-160166010

K102R-160166018

K103L-160157198



Model	LIFE_CN_D_PLT800		
Creator	PASATHORN	.BCP Name	INDEX_C3D_KITCHEN2
Reviewer		Order	I003897
Approves	P.SAWAI	Date	31/01/2025

No.	Article No.	Description	Mat	Dimension	Cutting Size	Typepology	Skin
0	LIFE_CN_D_PLT800	LIFE_CN_D_PLT800		800x100x9			
	LIFE_CN_D_PLT800-01	D_PLINT-SP	PB-SP	9x100x800	9X98X798;L2:W2	183000 _STR=05.38 _EDG=MD692-1	2