

<b>Model</b>	LIFE_CN_DBO665R		
<b>Creator</b>	PASATHORN	<b>.BCP Name</b>	INDEX_C3D_KITCHEN2
<b>Reviewer</b>		<b>Order</b>	I004270
<b>Approves</b>		<b>Date</b>	01/07/2025

## **LIFE\_CN\_DBO665R-665X570X913**

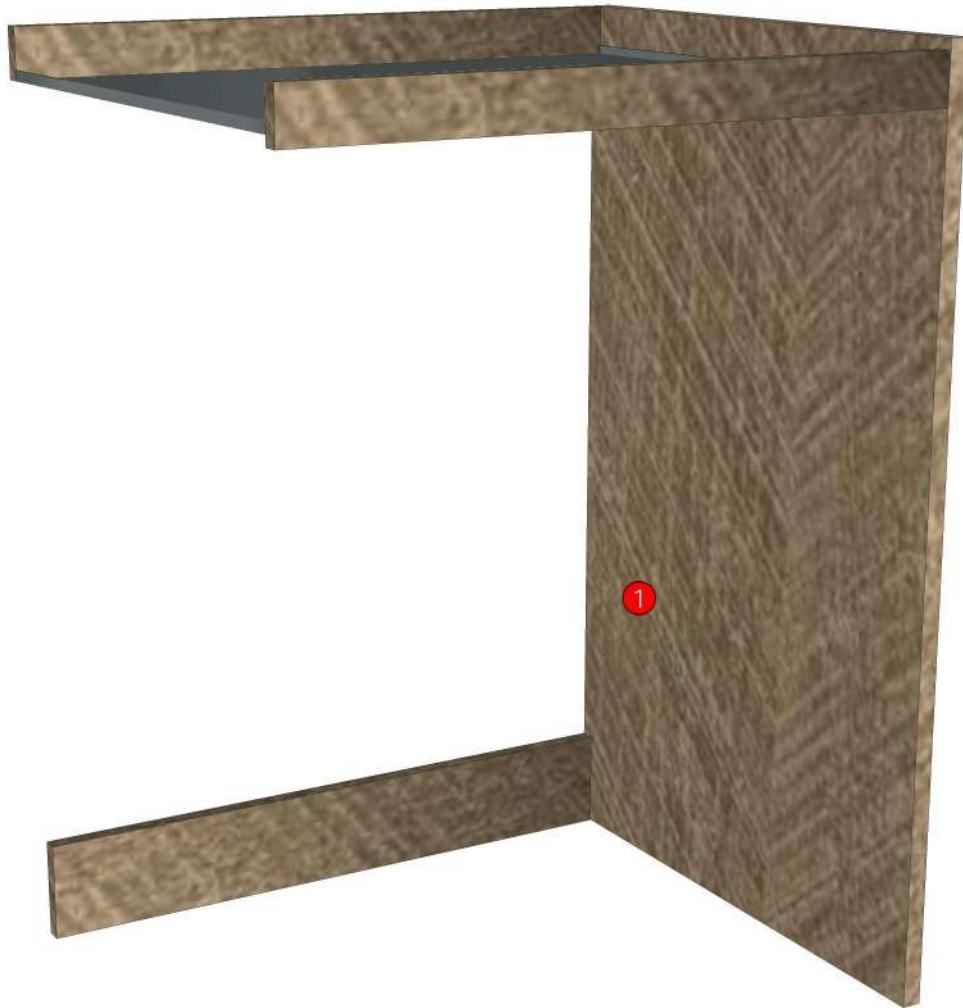
**Colour**

05.38 ML MD692 (SS)\_  
05.30 ML WHITE SAND #VM1012/2610/2610(PEARL)\_  
-  
-  
K100L-160165993

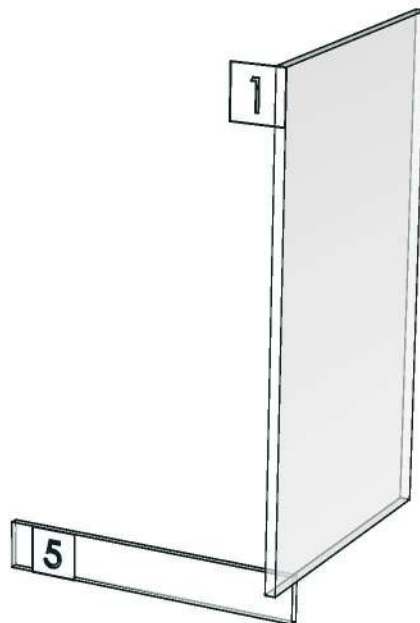
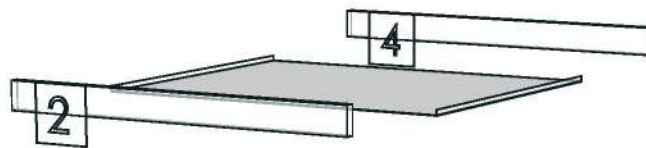
**Edge**

01.286 1 MD692 \_  
01.47 1 WHITE \_  
-  
-  
-

<b>R&amp;D REVIEW</b>	
<input checked="" type="checkbox"/>	DWG.Customer
<input checked="" type="checkbox"/>	Work Report
<input type="checkbox"/>	Function
<input type="checkbox"/>	สินค้าตรงตัวอย่าง
ผู้ทบทวน _____	
_____	



<b>Model</b>	-LIFE_CN_DBO665R		
<b>Creator</b>		<b>.BCP Name</b>	INDEX_C3D_KITCHEN2
<b>Reviewer</b>		<b>Order</b>	I004270
<b>Approves</b>		<b>Date</b>	



<b>Model</b>	LIFE_CN_DBS731LGR		
<b>Creator</b>	PASATHORN	<b>.BCP Name</b>	INDEX_C3D_KITCHEN2
<b>Reviewer</b>		<b>Order</b>	I004280
<b>Approves</b>	P.SAWAI	<b>Date</b>	03/07/2025

## **LIFE\_CN\_DBS731LGR-731X570X913**

**Colour**

05.38 ML MD692 (SS)\_  
05.30 ML WHITE SAND #VM1012/2610/2610(PEARL)\_  
-  
-  
K100L-160165993

**Edge**

01.286 1 MD692 \_  
01.457 0.6 MD692 \_  
-  
-  
-

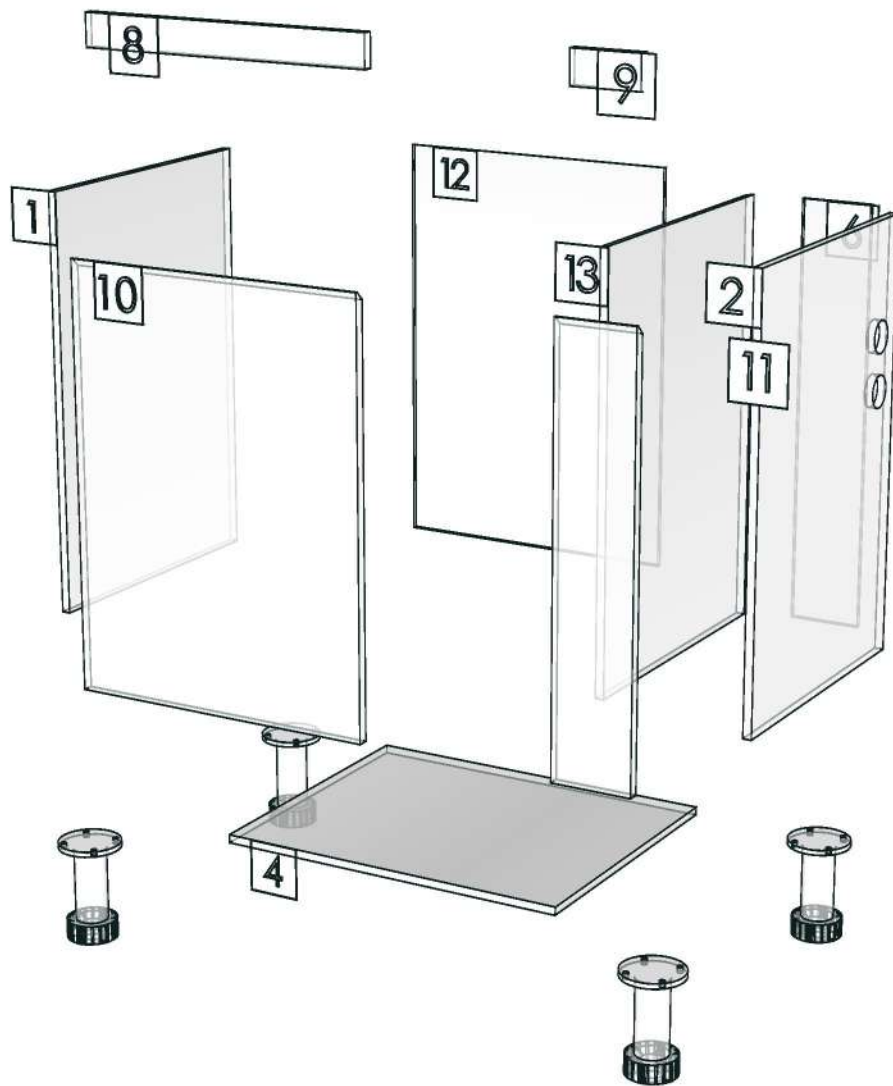
**R&D REVIEW**

- DWG.Customer
- Work Report
- Function
- สินค้าตรงตัวอย่าง

ผู้ทบทวน P.SAWAI  
25/8/25



<b>Model</b>	-LIFE_CN_DBS731LGR		
<b>Creator</b>		<b>.BCP Name</b>	INDEX_C3D_KITCHEN2
<b>Reviewer</b>		<b>Order</b>	I004280
<b>Approves</b>	P.SAWAI	<b>Date</b>	



<b>Model</b>	LIFE_CN_DDM600		
<b>Creator</b>	PASATHORN	<b>.BCP Name</b>	INDEX_C3D_KITCHEN2
<b>Reviewer</b>		<b>Order</b>	I003906
<b>Approves</b>	P.SAWAI	<b>Date</b>	31/01/2025

## LIFE\_CN\_DDM600-600X16X150

### Colour

05.38 ML MD692 (SS)\_

-

-

-

K100L-160165993

K100R-160157181

K102L-160166010

K102R-160166018

K105L-160136079

### Edge

01.286 1 MD692 \_

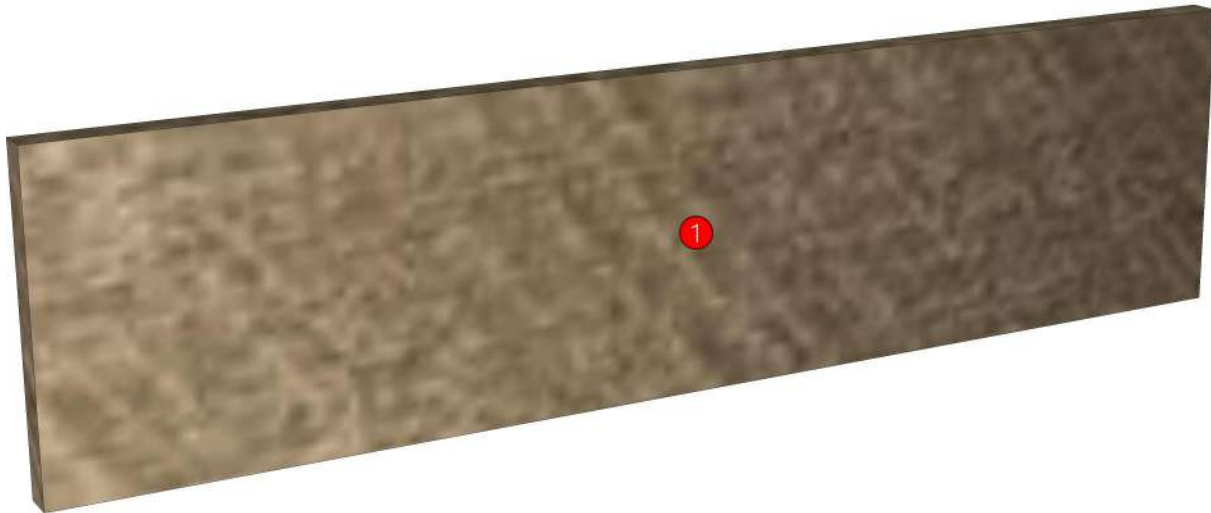
-

-

-

-

<b>R&amp;D REVIEW</b>	
<input checked="" type="checkbox"/>	DWG.Customer
<input checked="" type="checkbox"/>	Work Report
<input type="checkbox"/>	Function
<input type="checkbox"/>	สินค้าตรงตัวอย่าง
ผู้ทบทวน <u>P.SAWAI</u>	
<u>31/01/25</u>	



<b>Model</b>	LIFE_CN_DDM600		
<b>Creator</b>	PASATHORN	<b>.BCP Name</b>	INDEX_C3D_KITCHEN2
<b>Reviewer</b>		<b>Order</b>	I003906
<b>Approves</b>	P.SAWAI	<b>Date</b>	31/01/2025

No.	Article No.	Description	Mat	Dimension	Cutting Size	Typepology	Skin
0	LIFE_CN_DDM600 LIFE_CN_DDM600-01	LIFE_CN_DDM600 DDM-SP	PB-SP	600x150x16 16x150x600	16X148X598;L2:W2	183000_STR=05.38_EDG=MD692-1	2

<b>Model</b>	LIFE_CN_DF_CL1450		
<b>Creator</b>	PASATHORN	<b>.BCP Name</b>	INDEX_C3D_KITCHEN2
<b>Reviewer</b>		<b>Order</b>	I004255
<b>Approves</b>	P.SAWAI	<b>Date</b>	30/06/2025

## LIFE\_CN\_DF\_CL1450-1450X16X155

**Colour**

05.38 ML MD692 (SS)\_

-  
-  
-  
-

**Edge**

01.286 1 MD692 \_

-  
-  
-  
-

<b>R&amp;D REVIEW</b>	
<input checked="" type="checkbox"/>	DWG.Customer
<input checked="" type="checkbox"/>	Work Report
<input type="checkbox"/>	Function
<input type="checkbox"/>	สินค้าตรงตัวอย่าง
ผู้ทบทวน <u>P.SAWAI</u>	
<u>30/06/25</u>	

K102L-160166010

K102R-160166018



<b>Model</b>	LIFE_CN_DF_CL1450		
<b>Creator</b>	PASATHORN	<b>.BCP Name</b>	INDEX_C3D_KITCHEN2
<b>Reviewer</b>		<b>Order</b>	I004255
<b>Approves</b>	P.SAWAI	<b>Date</b>	30/06/2025

No.	Article No.	Description	Mat	Dimension	Cutting Size	Typepology	Skin
0	LIFE_CN_DF_CL1450 LIFE_CN_DF_CL1450-01	LIFE_CN_DF_CL1450 DF_CL-SP	PB-SP	1450x155x16 16x155x1450	16X154X1449;L1:W1	183000_STR=05.38_EDG=MD692-1	2

<b>Model</b>	LIFE_CN_DF_CL350		
<b>Creator</b>	PASATHORN	<b>.BCP Name</b>	INDEX_C3D_KITCHEN2
<b>Reviewer</b>		<b>Order</b>	I003898
<b>Approves</b>	P.SAWAI	<b>Date</b>	31/01/2025

## LIFE\_CN\_DF\_CL350-350X16X155

### Colour

05.38 ML MD692 (SS)\_

-

-

-

K100L-160165993

K100R-160157181

K102L-160166010

K102R-160166018

K103L-160157198

K104L-160136071

K105L-160136079

### Edge

01.286 1 MD692 \_

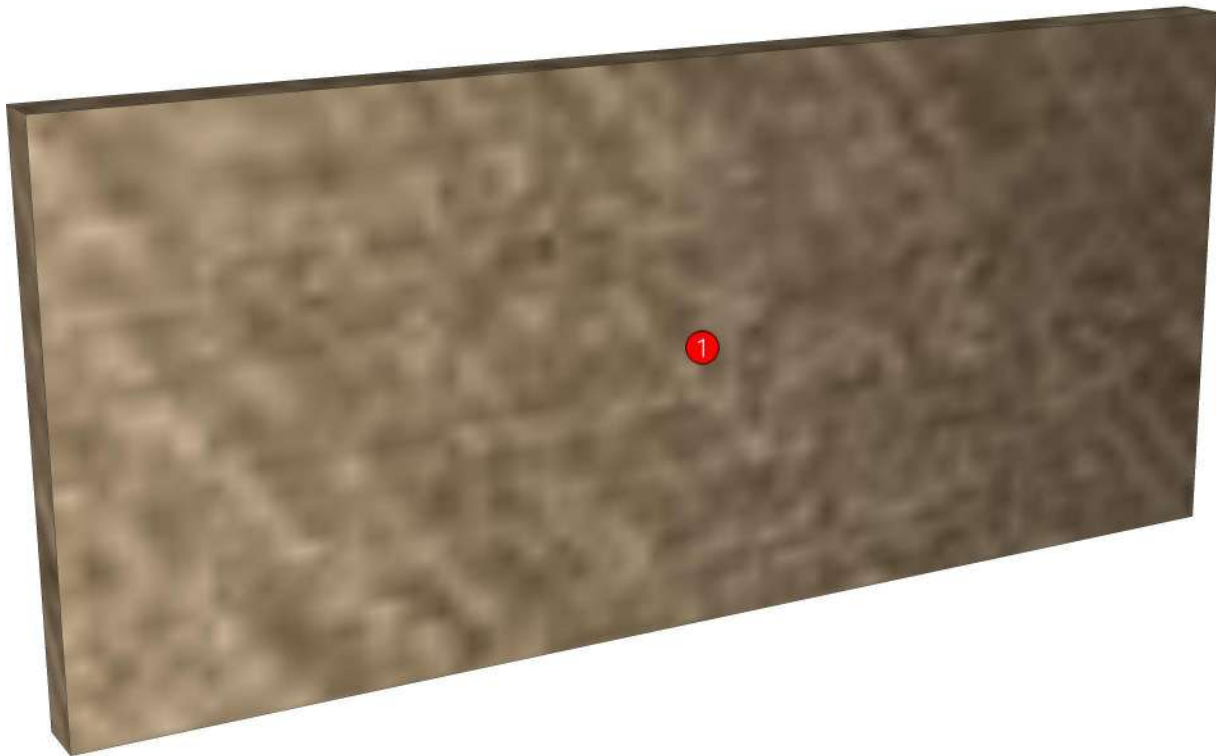
-

-

-

-

<b>R&amp;D REVIEW</b>	
<input checked="" type="checkbox"/>	DWG.Customer
<input checked="" type="checkbox"/>	Work Report
<input type="checkbox"/>	Function
<input type="checkbox"/>	สินค้าตรงตัวอย่าง
ผู้ทบทวน <u>P.SAWAI</u>	
<u>31/01/25</u>	



<b>Model</b>	LIFE_CN_DF_CL350		
<b>Creator</b>	PASATHORN	<b>.BCP Name</b>	INDEX_C3D_KITCHEN2
<b>Reviewer</b>		<b>Order</b>	I003898
<b>Approves</b>	P. SAWAI	<b>Date</b>	31/01/2025

No.	Article No.	Description	Mat	Dimension	Cutting Size	Typepology	Skin
0	LIFE_CN_DF_CL350	LIFE_CN_DF_CL350		350x155x16			
	LIFE_CN_DF_CL350-01	DF_CL-SP	PB-SP	16x155x350	16X154X349;L1:W1	183000_STR=05.38_EDG=MD692-1	2

<b>Model</b>	LIFE_CN_DL60HRS		
<b>Creator</b>	PASATHORN	<b>.BCP Name</b>	INDEX_C3D_KITCHEN2
<b>Reviewer</b>		<b>Order</b>	I004264
<b>Approves</b>	P.SAWAI	<b>Date</b>	01/07/2025

## LIFE\_CN\_DL60HRS-600X350X860

**Colour**

05.38 ML MD692 (SS)\_  
05.30 ML WHITE SAND #VM1012/2610/2610(PEARL)\_  
-  
-  
K100L-160165993

**Edge**

01.286 1 MD692 \_  
01.47 1 WHITE \_  
-  
-

**R&D REVIEW**

DWG.Customer

Work Report

Function

สิ้นค้าตรงตัวอย่าง

ผู้ทบทวน P.SAWAI

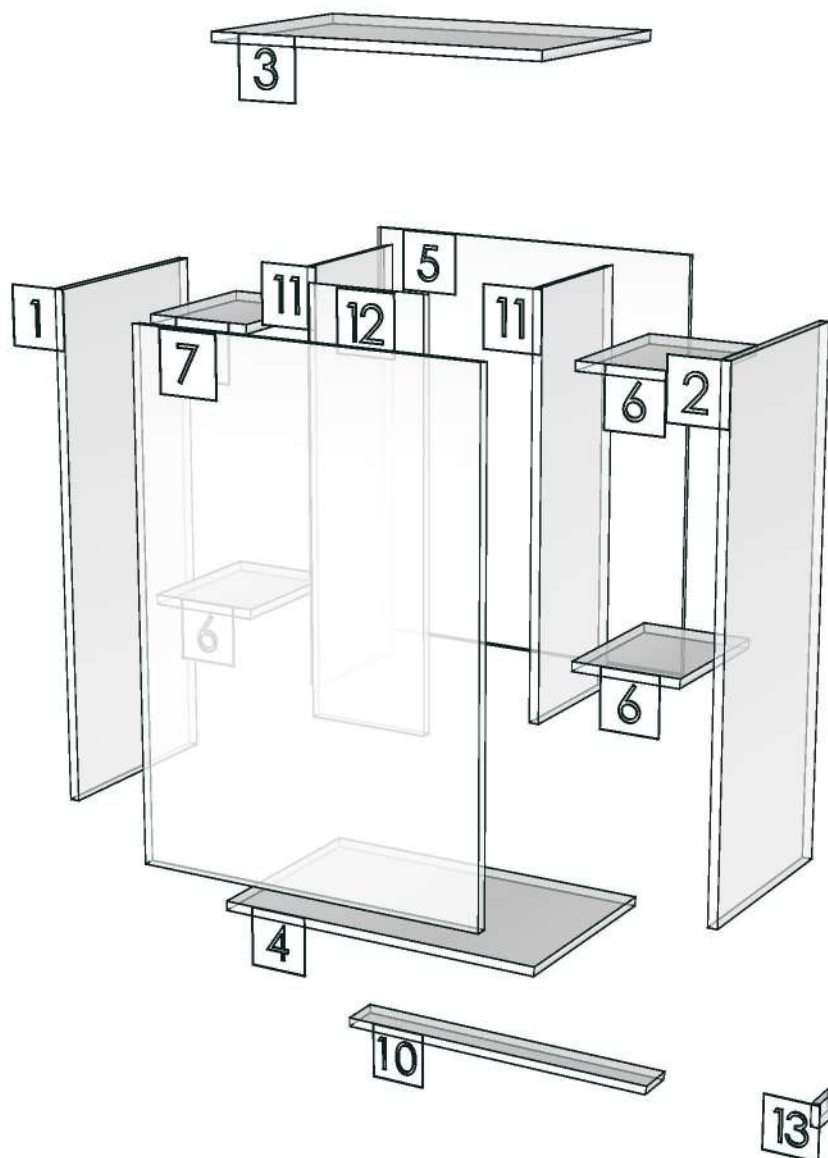
01/07/25

K102L-160166010

K105L-160136079



<b>Model</b>	-LIFE_CN_DL60HRS		
<b>Creator</b>		<b>.BCP Name</b>	INDEX_C3D_KITCHEN2
<b>Reviewer</b>		<b>Order</b>	I004264
<b>Approves</b>	P.SAWAI	<b>Date</b>	



<b>Model</b>	LIFE_CN_DLMV80L		
<b>Creator</b>	PASATHORN	<b>.BCP Name</b>	INDEX_C3D_KITCHEN2
<b>Reviewer</b>		<b>Order</b>	I004266
<b>Approves</b>		<b>Date</b>	01/07/2025

## **LIFE\_CN\_DLMV80L-800X400X1050**

**Colour**

05.38 ML MD692 (SS)\_  
05.30 ML WHITE SAND #VM1012/2610/2610(PEARL)\_  
-  
-  
K100L-160165993

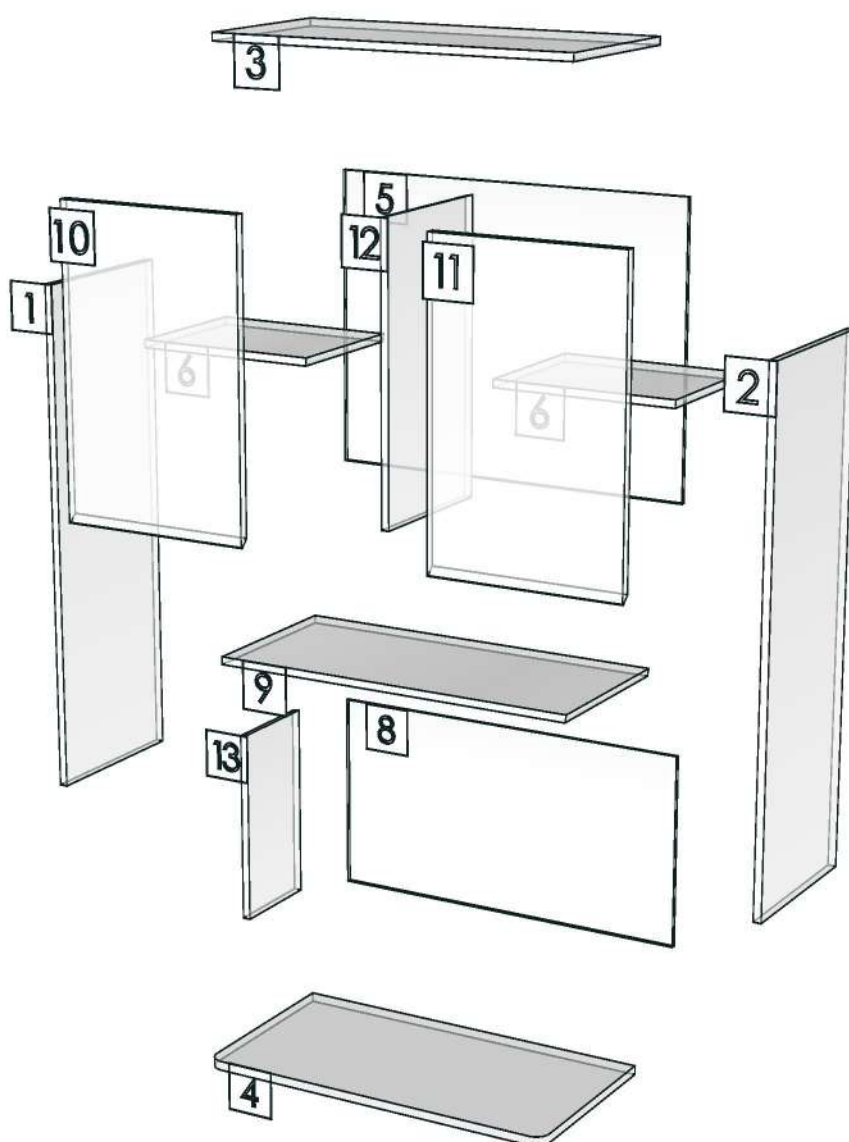
**Edge**

01.286 1 MD692 \_  
01.47 1 WHITE \_  
-  
-  
-

<b>R&amp;D REVIEW</b>	
<input checked="" type="checkbox"/>	DWG.Customer
<input checked="" type="checkbox"/>	Work Report
<input type="checkbox"/>	Function
<input type="checkbox"/>	สินค้าตรงตัวอย่าง
ผู้ทบทวน _____	
_____	



<b>Model</b>	-LIFE_CN_DLMV80L		
<b>Creator</b>		<b>.BCP Name</b>	INDEX_C3D_KITCHEN2
<b>Reviewer</b>		<b>Order</b>	I004266
<b>Approves</b>		<b>Date</b>	



<b>Model</b>	LIFE_CN_D_PLT600		
<b>Creator</b>	PASATHORN	<b>.BCP Name</b>	INDEX_C3D_KITCHEN2
<b>Reviewer</b>		<b>Order</b>	I003895
<b>Approves</b>	P.SAWAI	<b>Date</b>	31/01/2025

## LIFE\_CN\_D\_PLT600-600X9X100

### Colour

05.38 ML MD692 (SS)\_

-

-

-

K100L-160165993

K100R-160157181

K101L-160157188

K101R-160166000

K102L-160166010

K102R-160166018

K103L-160157198

K104L-160136071

K105L-160136079

### Edge

01.286 1 MD692 \_

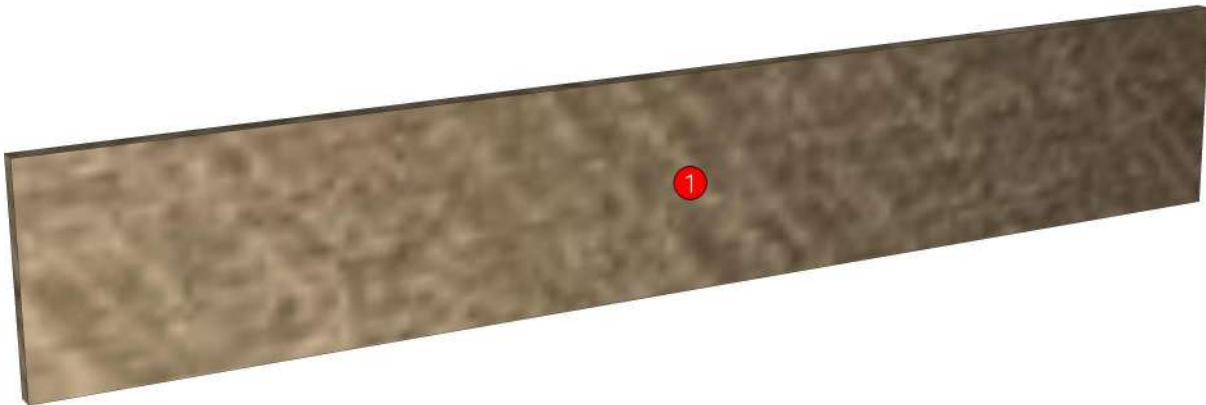
-

-

-

-

<b>R&amp;D REVIEW</b>	
<input checked="" type="checkbox"/>	DWG.Customer
<input checked="" type="checkbox"/>	Work Report
<input type="checkbox"/>	Function
<input type="checkbox"/>	สินค้าตรงตัวอย่าง
ผู้ทบทวน <u>P.SAWAI</u>	
<u>31/01/25</u>	



<b>Model</b>	LIFE_CN_D_PLT600		
<b>Creator</b>	PASATHORN	<b>.BCP Name</b>	INDEX_C3D_KITCHEN2
<b>Reviewer</b>		<b>Order</b>	I003895
<b>Approves</b>	P.SAWAI	<b>Date</b>	31/01/2025

No.	Article No.	Description	Mat	Dimension	Cutting Size	Typepology	Skin
0	LIFE_CN_D_PLT600	LIFE_CN_D_PLT600		600x100x9			
	LIFE_CN_D_PLT600-01	D_PLINT-SP	PB-SP	9x100x600	9X98X598;L2:W2	183000 _STR=05.38 _EDG=MD692-1	2

<b>Model</b>	LIFE_CN_D_PLT731		
<b>Creator</b>	PASATHORN	<b>.BCP Name</b>	INDEX_C3D_KITCHEN2
<b>Reviewer</b>		<b>Order</b>	I003896
<b>Approves</b>	P.SAWAI	<b>Date</b>	31/01/2025

## LIFE\_CN\_D\_PLT731-731X9X100

### Colour

05.38 ML MD692 (SS)\_

-

-

-

K100L-160165993

K100R-160157181

### Edge

01.286 1 MD692 \_

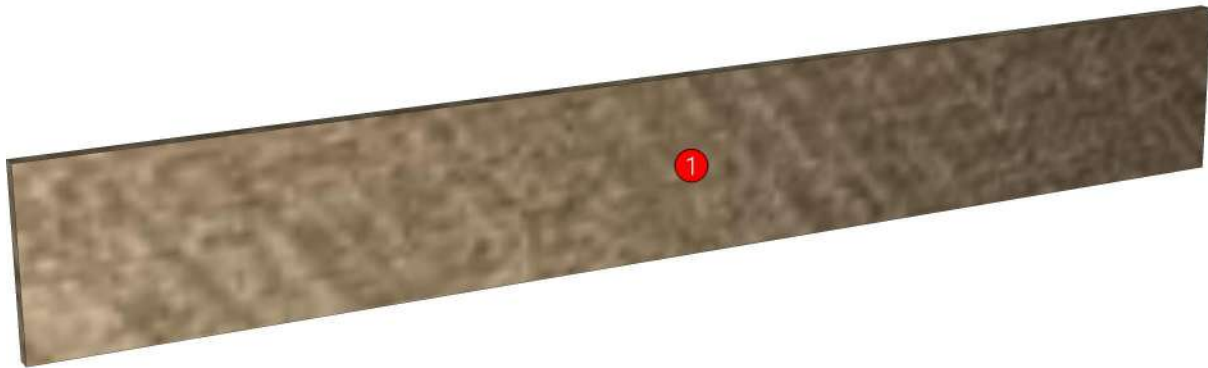
-

-

-

-

<b>R&amp;D REVIEW</b>	
<input checked="" type="checkbox"/>	DWG.Customer
<input checked="" type="checkbox"/>	Work Report
<input type="checkbox"/>	Function
<input type="checkbox"/>	สินค้าตรงตัวอย่าง
ผู้ทบทวน <u>P.SAWAI</u>	
<u>31/01/25</u>	



<b>Model</b>	LIFE_CN_D_PLT731		
<b>Creator</b>	PASATHORN	<b>.BCP Name</b>	INDEX_C3D_KITCHEN2
<b>Reviewer</b>		<b>Order</b>	I003896
<b>Approves</b>	P.SAWAI	<b>Date</b>	31/01/2025

No.	Article No.	Description	Mat	Dimension	Cutting Size	Typepology	Skin
0	LIFE_CN_D_PLT731	LIFE_CN_D_PLT731		731x100x9			
	LIFE_CN_D_PLT731-01	D_PLINT-SP	PB-SP	9x100x731	9X98X729;L2:W2	183000 _STR=05.38 _EDG=MD692-1	2