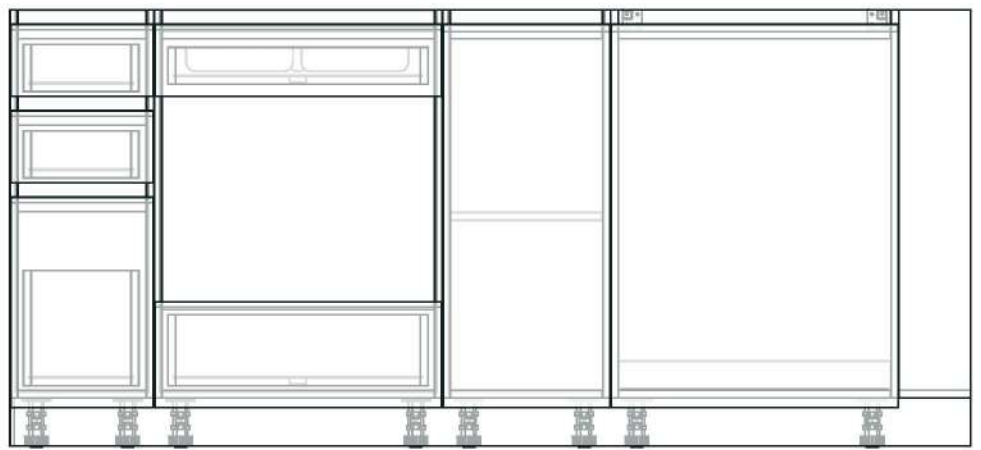
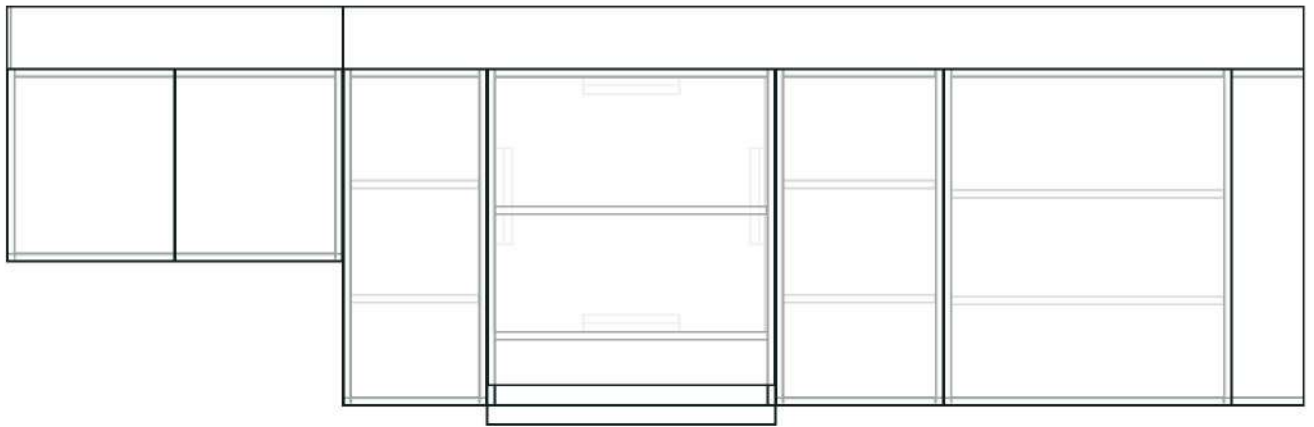
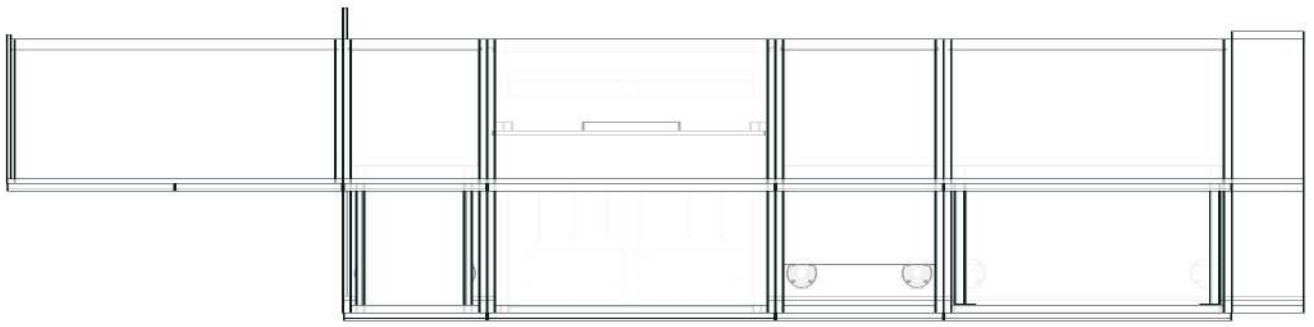


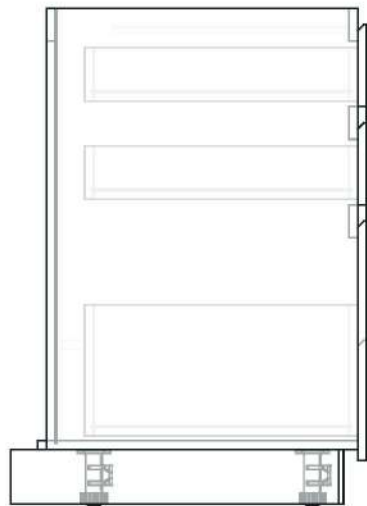
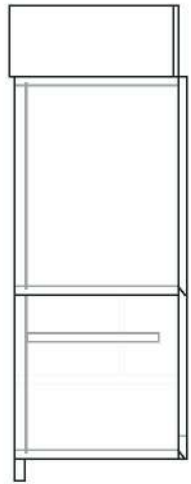
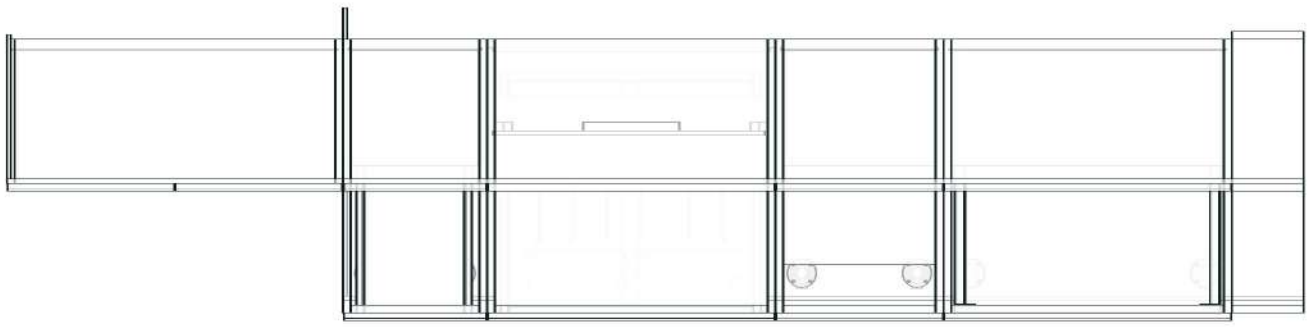
Document Assembly

PROJECT:

TYPE:

NO	DESCRIPTION	WIDTH	DEPTH	HIGHT	QTY	Number of packs
0	160163675_DBD303-01	300	570	808	1	
1	160163675_DB35L-02	350	570	808	1	
2	160163675_DBS60R-03	600	570	808	1	
3	160163675_DL60(HF)R-04	600	300	700	1	
4	160163675_DL30L-05	300	300	700	1	
5	160163675_DL35L-06	350	300	700	1	
6	160163675_DL60R-07	600	300	700	1	
7	160163675_DFB-10	150	570	808	1	
8	160163675_DFL-10	150	300	700	1	
9	160163675_DFCL700-11	700	9	130	1	
10	160163675_DFCL2000-11	2000	9	130	1	
11	160163675_DFCL300-11	300	9	130	1	
12	160163675_DPLT-11	2000	9	100	1	
13	160163675_DPLT-11	600	9	100	1	
14	160163675_DBH602-15	600	570	808	1	
15	160163675_DW70-17	700	300	400	1	

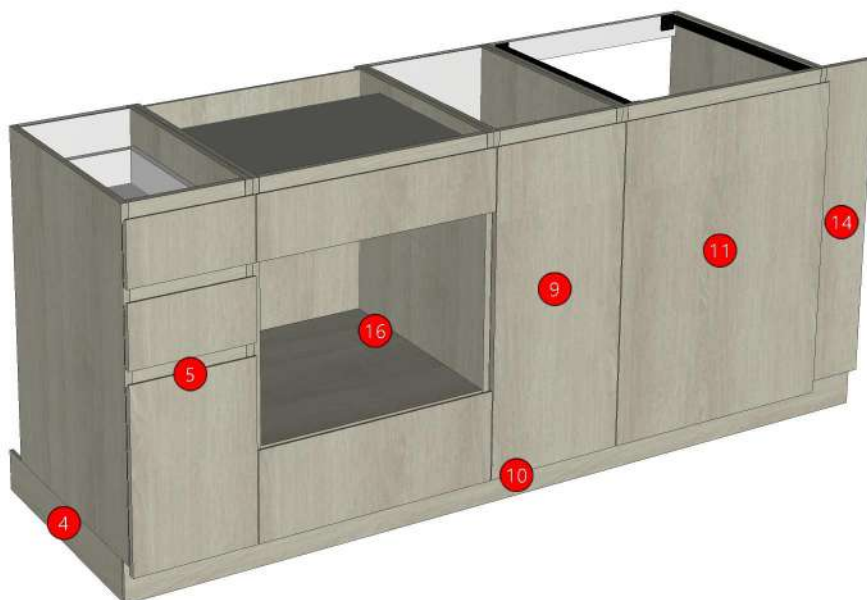
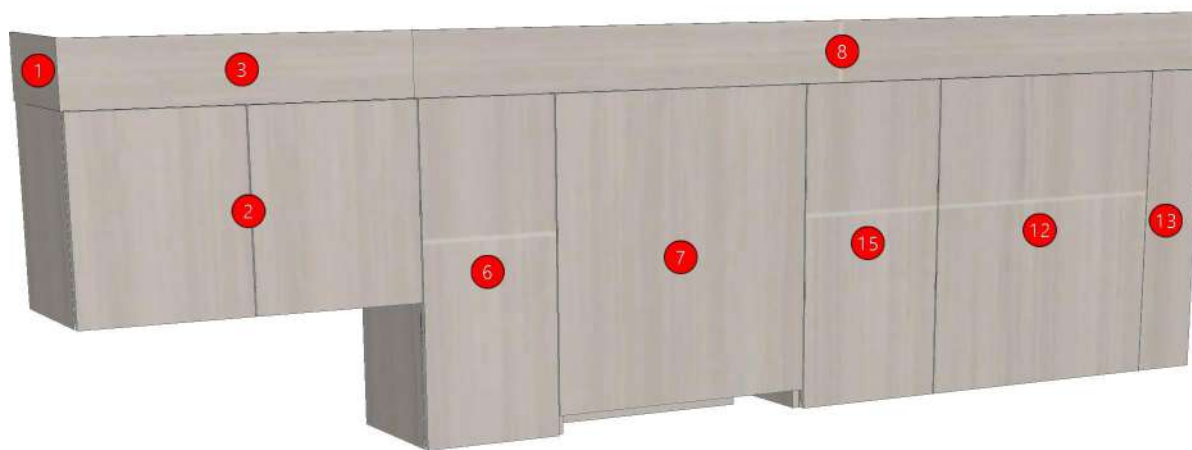




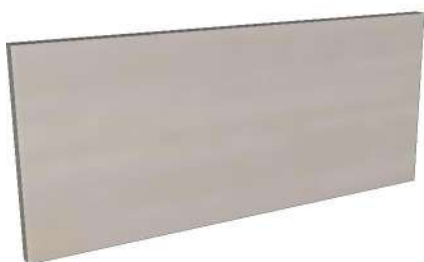
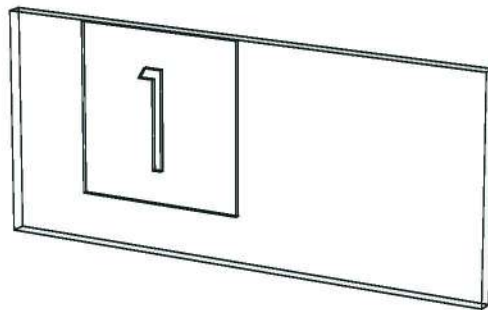
Model	160163675_DW70-17		
Creator	CHALEAMPHON	.BCP Name	INDEX_C3D_KITCHEN2
Reviewer		Order	E001950
Approves		Date	15/08/2025

Colour
01:02:01:04

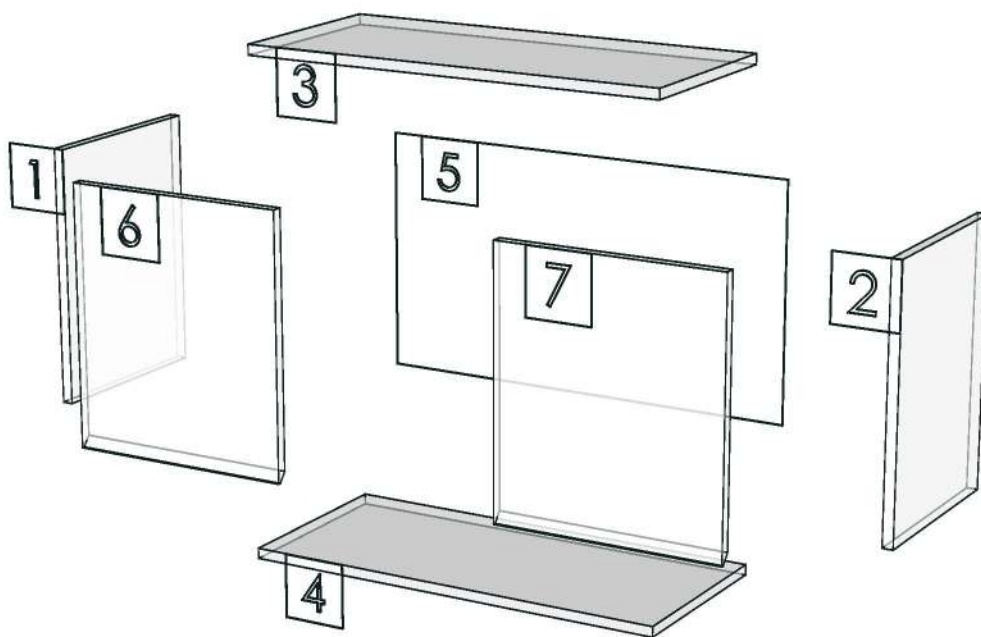
Edge
01.257=1 AJ1
01.47=1 WHITE



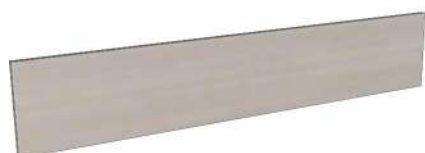
Model	-160163675_DFCL300-11		
Creator	CHALEAMPON	.BCP Name	INDEX_C3D_KITCHEN2
Reviewer		Order	E001950
Approves		Date	15/08/2025



Model	-160163675_DW70-17		
Creator	CHALEAMPHON	.BCP Name	INDEX_C3D_KITCHEN2
Reviewer		Order	E001950
Approves		Date	15/08/2025



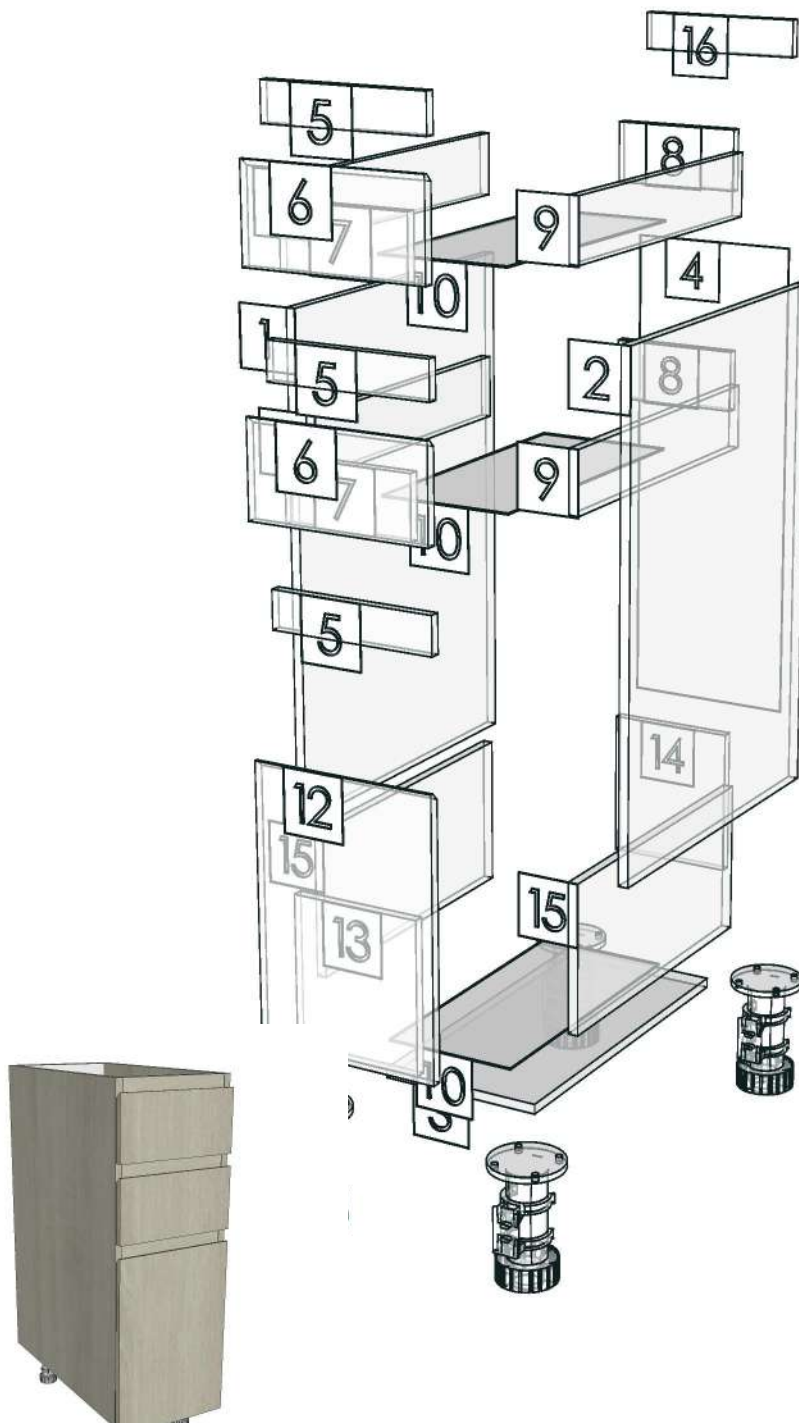
Model	-160163675_DFCL700-11		
Creator	CHALEAMPON	.BCP Name	INDEX_C3D_KITCHEN2
Reviewer		Order	E001950
Approves		Date	15/08/2025



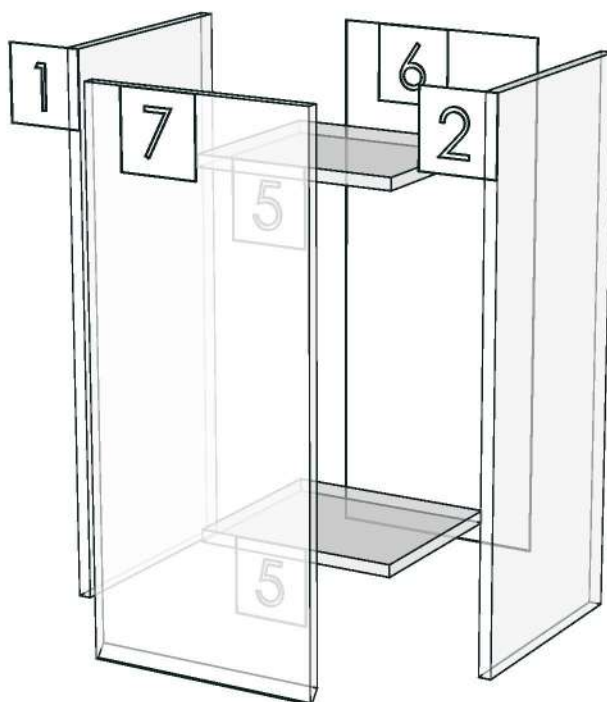
Model	-160163675_DPLT-11		
Creator	CHALEAMPON	.BCP Name	INDEX_C3D_KITCHEN2
Reviewer		Order	E001950
Approves		Date	15/08/2025



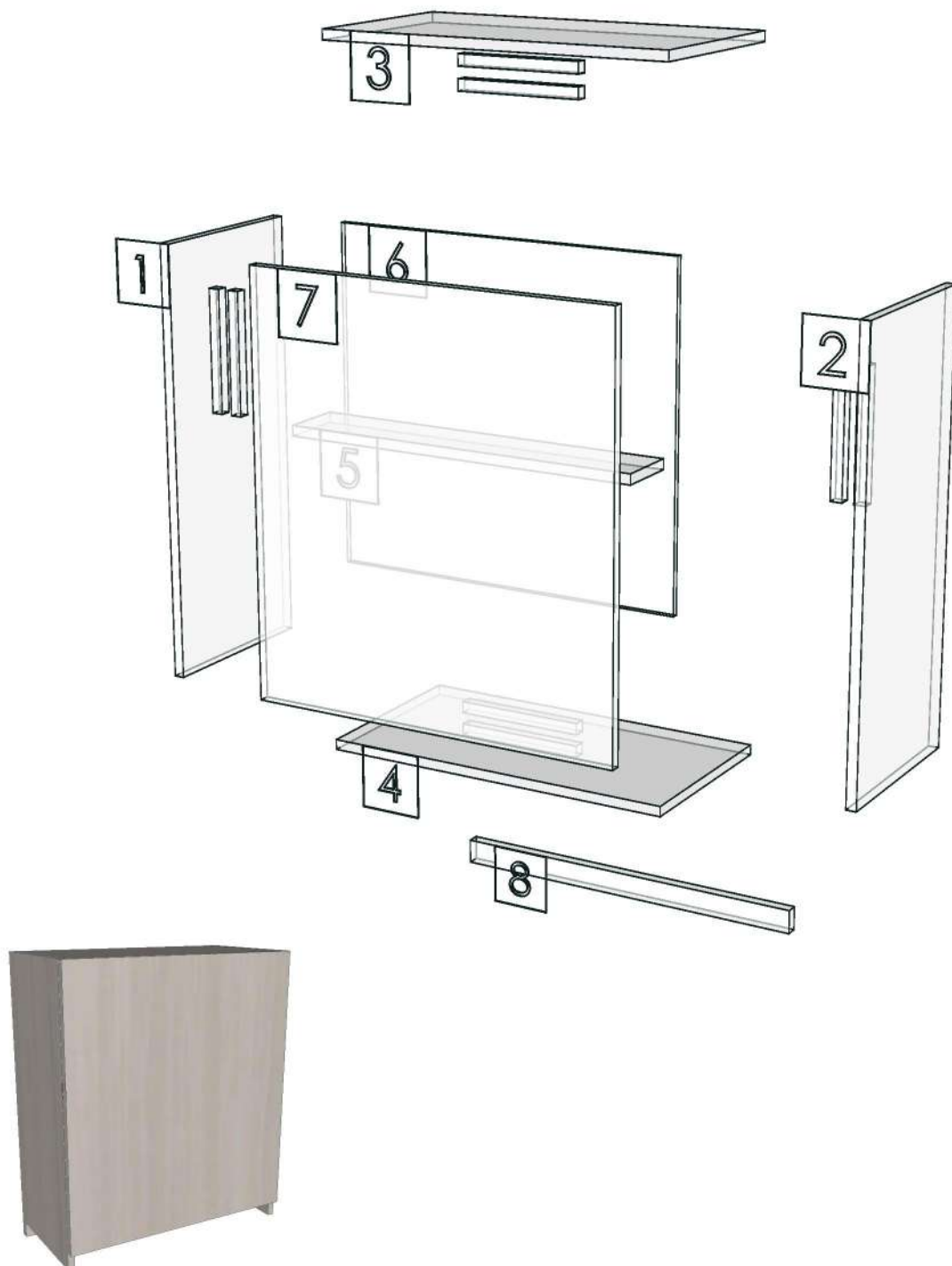
Model	-160163675_DBD303-01		
Creator	CHALEAMPHON	.BCP Name	INDEX_C3D_KITCHEN2
Reviewer		Order	E001950
Approves		Date	15/08/2025



Model	-160163675_DL30L-05		
Creator	CHALEAMPON	.BCP Name	INDEX_C3D_KITCHEN2
Reviewer		Order	E001950
Approves		Date	15/08/2025



Model	-160163675_DL60(HF)R-04		
Creator	CHALEAMPHON	.BCP Name	INDEX_C3D_KITCHEN2
Reviewer		Order	E001950
Approves		Date	15/08/2025



Model	-160163675_DFCL2000-11		
Creator	CHALEAMPHON	.BCP Name	INDEX_C3D_KITCHEN2
Reviewer		Order	E001950
Approves		Date	15/08/2025



Model	-160163675_DB35L-02		
Creator	CHALEAMPHON	.BCP Name	INDEX_C3D_KITCHEN2
Reviewer		Order	E001950
Approves		Date	15/08/2025



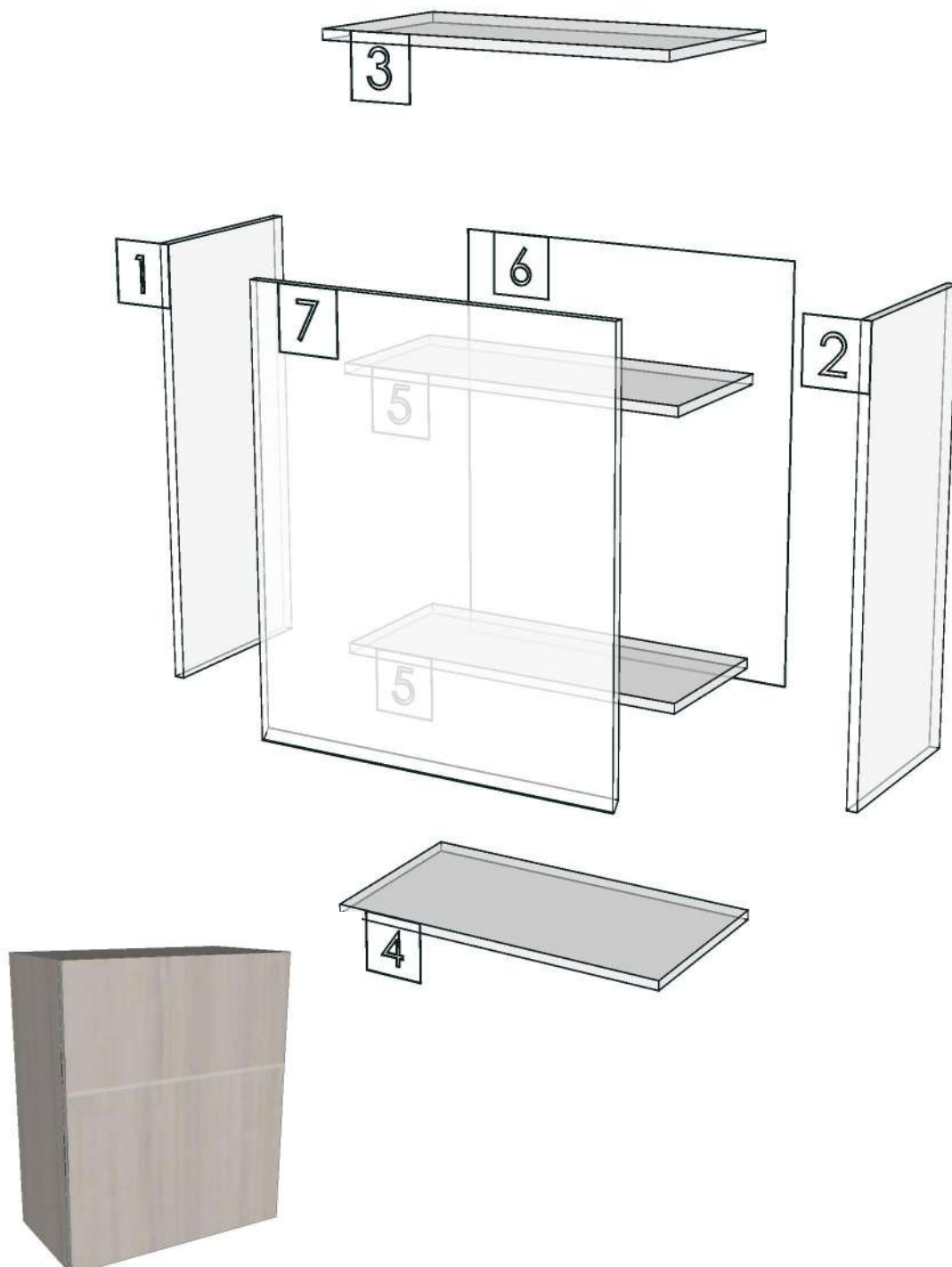
Model	-160163675_DPLT-11		
Creator	CHALEAMPHON	.BCP Name	INDEX_C3D_KITCHEN2
Reviewer		Order	E001950
Approves		Date	15/08/2025



Model	-160163675_DB560R-03		
Creator	CHALEAMPHON	.BCP Name	INDEX_C3D_KITCHEN2
Reviewer		Order	E001950
Approves		Date	15/08/2025



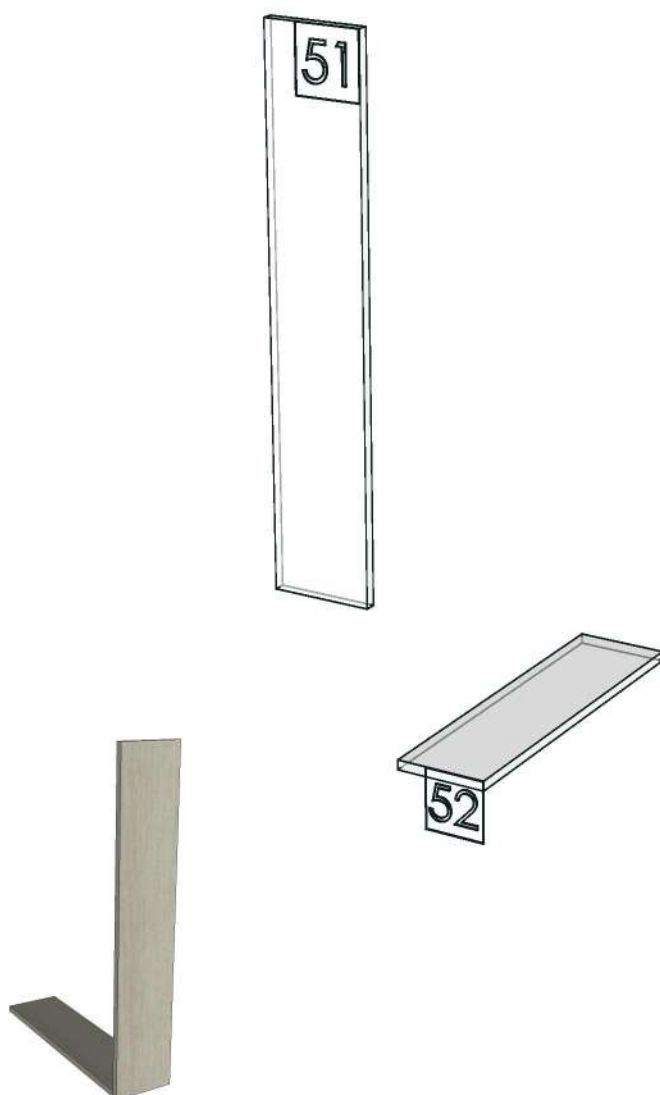
Model	-160163675_DL60R-07		
Creator	CHALEAMPON	.BCP Name	INDEX_C3D_KITCHEN2
Reviewer		Order	E001950
Approves		Date	15/08/2025



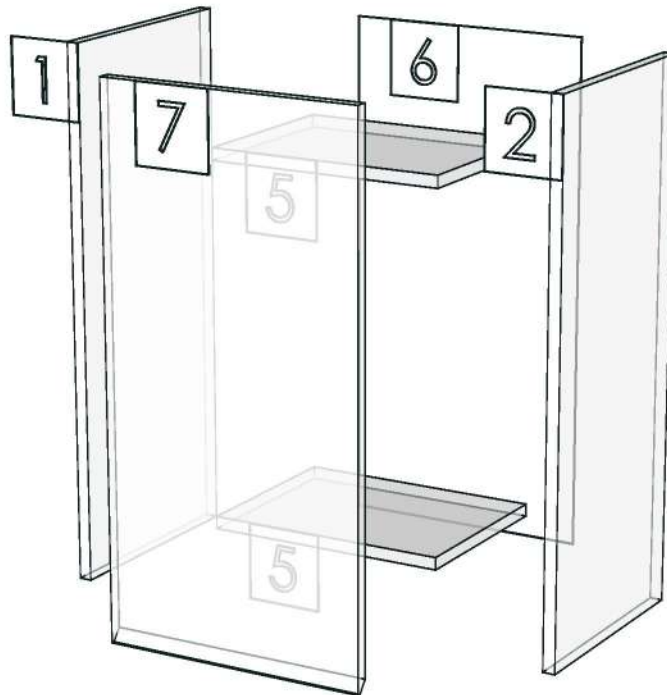
Model	-160163675_DFL-10		
Creator	CHALEAMPON	.BCP Name	INDEX_C3D_KITCHEN2
Reviewer		Order	E001950
Approves		Date	15/08/2025



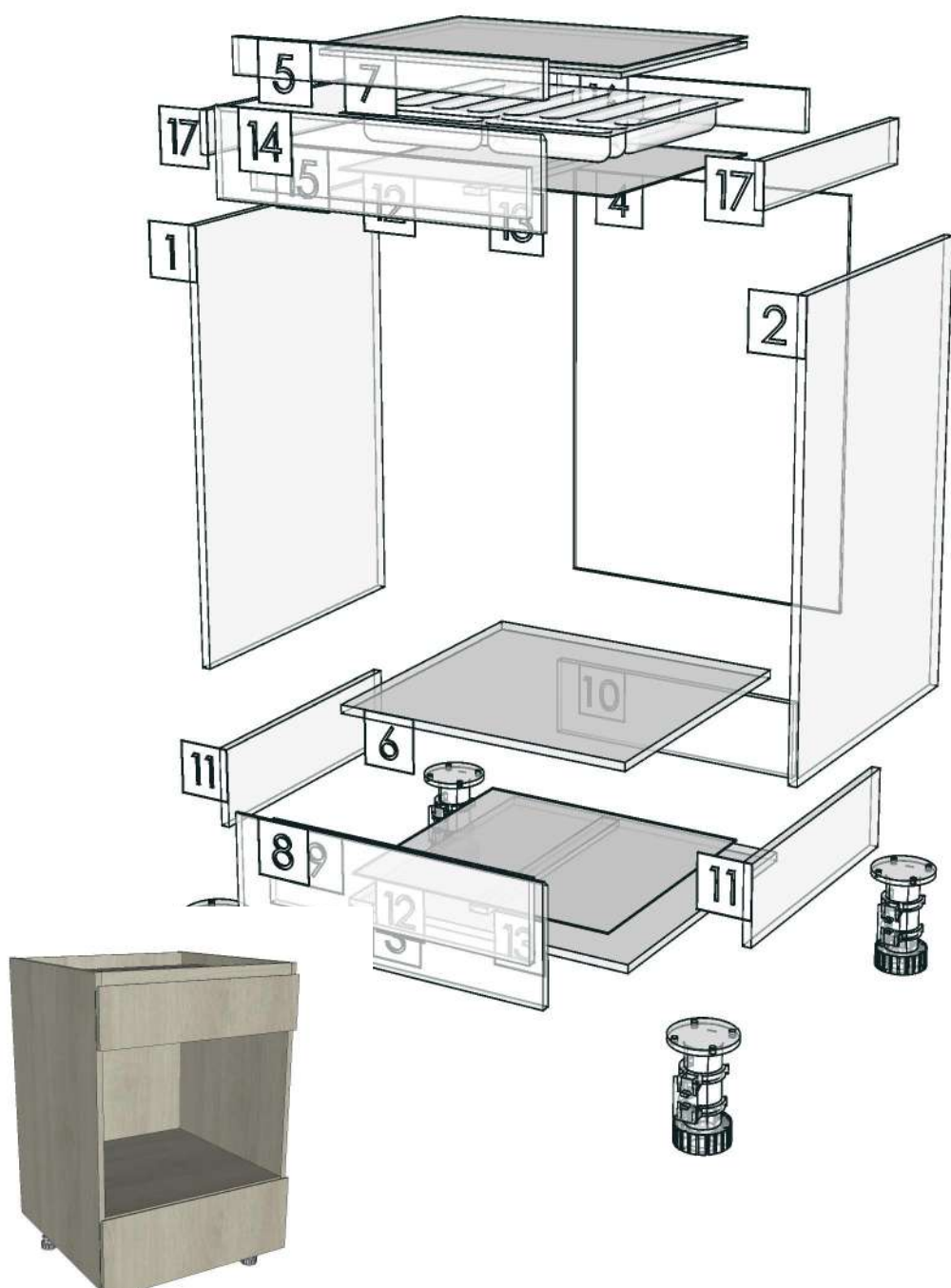
Model	-160163675_DFB-10		
Creator	CHALEAMPHON	.BCP Name	INDEX_C3D_KITCHEN2
Reviewer		Order	E001950
Approves		Date	15/08/2025



Model	-160163675_DL35L-06		
Creator	CHALEAMPHON	.BCP Name	INDEX_C3D_KITCHEN2
Reviewer		Order	E001950
Approves		Date	15/08/2025



Model	-160163675_DBH602-15		
Creator	CHALEAMPHON	.BCP Name	INDEX_C3D_KITCHEN2
Reviewer		Order	E001950
Approves		Date	15/08/2025



Model	160163675_DW70-17		
Creator	CHALEAMPHON	.BCP Name	INDEX_C3D_KITCHEN2
Reviewer		Order	E001950
Approves		Date	15/08/2025

No.	Article No.	Description	Mat	Dimension	Cutting Size	Typepology	Skin
0	160163675_DBD303-01	CO_RM9		300x808x570			
	160163675_DBD303-01-01	LEFT	PB-ST	16x570x808	16X568X806;L2:W2	181000_STR=20.39_EDG=AJ1-1	2
	160163675_DBD303-02-01	RIGHT	PB-ST	16x570x808	16X568X806;L2:W2	181001_STR=20.39_EDG=AJ1-1	2
	160163675_DBD303-03-01	BOTTOM	PB-ST	16x570x267	16X568X267;L2:W0	182000_STR=20.39_EDG=AJ1-1	2
	160163675_DBD303-04-01	BACK_SP	MDF-SP	2.6x276x795	3X276X795;NO EDGE	186000_STR=03.11_EDG=-	2
	160163675_DBD303-05-01	BEAM FRONT	PB-ST	16x60x267	16X58X267;L2:W0	183000_STR=20.39_EDG=AJ1-1	2
	160163675_DBD303-05-01	BEAM FRONT	PB-ST	16x60x267	16X58X267;L2:W0	183002_STR=20.39_EDG=AJ1-1	2
	160163675_DBD303-05-01	BEAM FRONT	PB-ST	16x60x267	16X58X267;L2:W0	183001_STR=20.39_EDG=AJ1-1	2
	160163675_DBD303-06-01	FORNT DW. M_SF(L1)	PB-ST	16x297x150	16X295X148;L2:W2	186001_STR=20.39_EDG=AJ1-1	2
	160163675_DBD303-06-01	FORNT DW. M_SF(L1)	PB-ST	16x297x150	16X295X148;L2:W2	186002_STR=20.39_EDG=AJ1-1	2
	160163675_DBD303-07-01	DOUBLE DW. M	PB-ST	16x98x208	16X96X208;L2:W0	183004_STR=20.44_EDG=WHITE-1	2
	160163675_DBD303-07-01	DOUBLE DW. M	PB-ST	16x98x208	16X96X208;L2:W0	183006_STR=20.44_EDG=WHITE-1	2
	160163675_DBD303-08-01	REAR DW. M	PB-ST	16x98x208	16X96X208;L2:W0	183005_STR=20.44_EDG=WHITE-1	2
	160163675_DBD303-08-01	REAR DW. M	PB-ST	16x98x208	16X96X208;L2:W0	183007_STR=20.44_EDG=WHITE-1	2
	160163675_DBD303-09-01	SIDE DW. M	PB-ST	16x98x500	16X96X500;L2:W0	184003_STR=20.44_EDG=WHITE-1	2
	160163675_DBD303-09-01	SIDE DW. M	PB-ST	16x98x500	16X96X500;L2:W0	184002_STR=20.44_EDG=WHITE-1	2
	160163675_DBD303-09-01	SIDE DW. M	PB-ST	16x98x500	16X96X500;L2:W0	184001_STR=20.44_EDG=WHITE-1	2
	160163675_DBD303-09-01	SIDE DW. M	PB-ST	16x98x500	16X96X500;L2:W0	184000_STR=20.44_EDG=WHITE-1	2
	160163675_DBD303-10-01	BASE DW._SP	MDF-SP	2.6x476x217	3X476X217;NO EDGE	182001_STR=03.11_EDG=-	2
	160163675_DBD303-10-01	BASE DW._SP	MDF-SP	2.6x476x217	3X476X217;NO EDGE	182002_STR=03.11_EDG=-	2
	160163675_DBD303-10-01	BASE DW._SP	MDF-SP	2.6x476x217	3X476X217;NO EDGE	182003_STR=03.11_EDG=-	2
	160163675_DBD303-12-01	FORNT DW. B_SF(L1)	PB-ST	16x297x438	16X295X436;L2:W2	186003_STR=20.39_EDG=AJ1-1	2
	160163675_DBD303-13-01	DOUBLE DW. B	PB-ST	16x240x208	16X238X208;L2:W0	183008_STR=20.44_EDG=WHITE-1	2
	160163675_DBD303-14-01	REAR DW. B	PB-ST	16x240x208	16X238X208;L2:W0	183009_STR=20.44_EDG=WHITE-1	2
	160163675_DBD303-15-01	SIDE DW. B	PB-ST	16x240x500	16X238X500;L2:W0	184004_STR=20.44_EDG=WHITE-1	2
	160163675_DBD303-15-01	SIDE DW. B	PB-ST	16x240x500	16X238X500;L2:W0	184005_STR=20.44_EDG=WHITE-1	2
	160163675_DBD303-16-01	BEAM BACK	PB-ST	16x60x267	16X58X267;L2:W0	183003_STR=20.44_EDG=WHITE-1	2
1	160163675_DB35L-02	CO RM9		350x808x570			
	160163675_DB35L-01-02	LEFT	PB-ST	16x570x808	16X568X806;L2:W2	181002_STR=20.39_EDG=AJ1-1	2
	160163675_DB35L-02-02	RIGHT	PB-ST	16x570x808	16X568X806;L2:W2	181003_STR=20.39_EDG=AJ1-1	2
	160163675_DB35L-03-02	BOTTOM	PB-ST	16x570x317	16X568X317;L2:W0	182004_STR=20.39_EDG=AJ1-1	2
	160163675_DB35L-04-02	BACK_SP	MDF-SP	2.6x326x796	3X326X796;NO EDGE	186004_STR=03.11_EDG=-	2
	160163675_DB35L-05-02	BEAM FRONT	PB-ST	16x60x317	16X58X317;L2:W0	183010_STR=20.39_EDG=AJ1-1	2
	160163675_DB35L-06-02	BEAM BACK	PB-ST	16x60x317	16X58X317;L2:W0	183011_STR=20.24_EDG=WHITE-1	2
	160163675_DB35L-07-02	DOOR_SF(W1)	PB-ST	16x347x798	16X345X796;L2:W2	186005_STR=20.39_EDG=AJ1-1	2
	160163675_DB35L-08-02	SHELF	PB-ST	16x450x316	16X448X314;L2:W2	182005_STR=20.24_EDG=WHITE-1	2
2	160163675_DBS60R-03	CO RM9		600x808x570			
	160163675_DBS60R-01-03	LEFT	PB-ST	16x570x808	16X568X806;L2:W2	181004_STR=20.39_EDG=AJ1-1	2
	160163675_DBS60R-02-03	RIGHT	PB-ST	16x570x808	16X568X806;L2:W2	181005_STR=20.39_EDG=AJ1-1	2
	160163675_DBS60R-03-03	BOTTOM	PB-ST	16x570x567	16X568X567;L2:W0	182006_STR=20.39_EDG=AJ1-1	2

Model	160163675_DW70-17		
Creator	CHALEAMPHON	.BCP Name	INDEX_C3D_KITCHEN2
Reviewer		Order	E001950
Approves		Date	15/08/2025

No.	Article No.	Description	Mat	Dimension	Cutting Size	Typology	Skin
3	160163675_DBS60R-04-03	FRONT BEAM	PB-ST	16x60x567	16X58X567;L2:W0	183012_STR=20.39_EDG=AJ1-1	2
	160163675_DBS60R-05-03	BACK BEAM	PB-ST	16x60x567	16X58X567;L2:W0	183013_STR=20.44_EDG=WHITE-1	2
	160163675_DBS60R-05-03	BACK BEAM	PB-ST	16x60x567	16X58X567;L2:W0	183014_STR=20.44_EDG=WHITE-1	2
	160163675_DBS60R-06-03	DOOR_SF(W1)	PB-ST	16x597x798	16X595X796;L2:W2	186006_STR=20.39_EDG=AJ1-1	2
	160163675_DL60(HF)R-04	CO RM9		600x700x300			
	160163675_DL60(HF)R-01-04	LEFT	PB-ST	16x300x700	16X298X698;L2:W2	181006_STR=05.96_EDG=BS9-1	2
	160163675_DL60(HF)R-02-04	RIGHT	PB-ST	16x300x700	16X298X698;L2:W2	181007_STR=05.96_EDG=BS9-1	2
	160163675_DL60(HF)R-03-04	TOP	PB-ST	16x300x567	16X298X567;L2:W0	182007_STR=05.96_EDG=BS9-1	2
	160163675_DL60(HF)R-04-04	BOTTOM	PB-ST	16x300x567	16X298X567;L2:W0	182008_STR=05.96_EDG=BS9-1	2
	160163675_DL60(HF)R-05-04	SHELF	PB-ST	16x98x566	16X96X564;L2:W2	182009_STR=20.44_EDG=WHITE-1	2
	160163675_DL60(HF)R-06-04	BACK_SP	PB-ST	9x566x529	9X564X527;L2:W2	186007_STR=20.44_EDG=WHITE-1	2
	160163675_DL60(HF)R-07-04	DOOR R	PB-ST	16x597x658	16X595X656;L2:W2	186008_STR=05.96_EDG=BS9-1	2
160163675_DL60(HF)R-08-04	BACK HOOD_SP	PB-ST	19x40x600	19X38X598;L2:W2	183015_STR=05.96_EDG=BS9-1	2	
4	160163675_DL30L-05	CO RM9		300x700x300			
	160163675_DL30L-01-05	LEFT	PB-ST	16x300x700	16X298X698;L2:W2	181008_STR=05.96_EDG=BS9-1	2
	160163675_DL30L-02-05	RIGHT	PB-ST	16x300x700	16X298X698;L2:W2	181009_STR=05.96_EDG=BS9-1	2
	160163675_DL30L-03-05	TOP	PB-ST	16x300x267	16X298X267;L2:W0	182010_STR=05.96_EDG=BS9-1	2
	160163675_DL30L-04-05	BOTTOM	PB-ST	16x300x267	16X298X267;L2:W0	182011_STR=05.96_EDG=BS9-1	2
	160163675_DL30L-05-05	SHELF	PB-ST	16x240x266	16X238X264;L2:W2	182012_STR=20.44_EDG=WHITE-1	2
	160163675_DL30L-05-05	SHELF	PB-ST	16x240x266	16X238X264;L2:W2	182013_STR=20.44_EDG=WHITE-1	2
	160163675_DL30L-06-05	BACK_SP	MDF-SP	2.6x276x676	3X276X676;NO EDGE	186009_STR=03.11_EDG=-	2
	160163675_DL30L-07-05	DOOR_SF(W1)	PB-ST	16x297x700	16X295X698;L2:W2	186010_STR=05.96_EDG=BS9-1	2
	160163675_DL35L-06	CO RM9		350x700x300			
	160163675_DL35L-01-06	LEFT	PB-ST	16x300x700	16X298X698;L2:W2	181010_STR=05.96_EDG=BS9-1	2
	160163675_DL35L-02-06	RIGHT	PB-ST	16x300x700	16X298X698;L2:W2	181011_STR=05.96_EDG=BS9-1	2
160163675_DL35L-03-06	TOP	PB-ST	16x300x317	16X298X317;L2:W0	182014_STR=05.96_EDG=BS9-1	2	
160163675_DL35L-04-06	BOTTOM	PB-ST	16x300x317	16X298X317;L2:W0	182015_STR=05.96_EDG=BS9-1	2	
160163675_DL35L-05-06	SHELF	PB-ST	16x240x316	16X238X314;L2:W2	182016_STR=20.44_EDG=WHITE-1	2	
160163675_DL35L-05-06	SHELF	PB-ST	16x240x316	16X238X314;L2:W2	182017_STR=20.44_EDG=WHITE-1	2	
160163675_DL35L-06-06	BACK_SP	MDF-SP	2.6x326x676	3X326X676;NO EDGE	186011_STR=03.11_EDG=-	2	
160163675_DL35L-07-06	DOOR_SF(W1)	PB-ST	16x347x700	16X345X698;L2:W2	186012_STR=05.96_EDG=BS9-1	2	
6	160163675_DL60R-07	CO RM9		600x700x300			
	160163675_DL60R-01-07	LEFT	PB-ST	16x300x700	16X298X698;L2:W2	181012_STR=05.96_EDG=BS9-1	2
	160163675_DL60R-02-07	RIGHT	PB-ST	16x300x700	16X298X698;L2:W2	181013_STR=05.96_EDG=BS9-1	2
	160163675_DL60R-03-07	TOP	PB-ST	16x300x567	16X298X567;L2:W0	182018_STR=05.96_EDG=BS9-1	2
	160163675_DL60R-04-07	BOTTOM	PB-ST	16x300x567	16X298X567;L2:W0	182019_STR=05.96_EDG=BS9-1	2
	160163675_DL60R-05-07	SHELF	PB-ST	16x240x566	16X238X564;L2:W2	182021_STR=20.44_EDG=WHITE-1	2
	160163675_DL60R-05-07	SHELF	PB-ST	16x240x566	16X238X564;L2:W2	182020_STR=20.44_EDG=WHITE-1	2
	160163675_DL60R-06-07	BACK_SP	MDF-SP	2.6x576x676	3X576X676;NO EDGE	186013_STR=03.11_EDG=-	2
	160163675_DL60R-07-07	DOOR L_SF(W1)	PB-ST	16x597x700	16X595X698;L2:W2	186014_STR=05.96_EDG=BS9-1	2

Model	160163675_DW70-17		
Creator	CHALEAMPHON	.BCP Name	INDEX_C3D_KITCHEN2
Reviewer		Order	E001950
Approves		Date	15/08/2025

No.	Article No.	Description	Mat	Dimension	Cutting Size	Typology	Skin
7	160163675_DFB-10	CO RM9		150x808x570			
	160163675_DFB-51-10	FRONT FILLER	PB-ST	16x150x808	16X149X806;L1:W2	186015_STR=20.39_EDG=AJ1-1	2
	160163675_DFB-52-10	BOTTOM FILLER	PB-ST	16x150x570	16X149X569;L1:W1	185000_STR=20.39_EDG=AJ1-1	2
8	160163675_DFL-10	CO RM9		150x700x300			
	160163675_DFL-61-10	FRONT FILLER	PB-ST	16x150x700	16X149X698;L1:W2	186016_STR=05.96_EDG=BS9-1	2
	160163675_DFL-62-10	T-B FILLER	PB-ST	16x150x300	16X149X299;L1:W1	185001_STR=05.96_EDG=BS9-1	2
	160163675_DFL-62-10	T-B FILLER	PB-ST	16x150x300	16X149X299;L1:W1	185002_STR=05.96_EDG=BS9-1	2
9	160163675_DFCL700-11	CO RM9		700x130x9			
	160163675_DFCL700-01-11	FILLER TOP	PB-ST	9x130x700	9X129X699;L1:W1	183016_STR=05.96_EDG=BS9-1	2
10	160163675_DFCL2000-11	CO RM9		2000x130x9			
	160163675_DFCL2000-01-11	FILLER TOP	PB-ST	9x130x2000	9X129X1999;L1:W1	183017_STR=05.96_EDG=BS9-1	2
11	160163675_DFCL300-11	CO RM9		300x130x9			
	160163675_DFCL300-01-11	FILLER TOP	PB-ST	9x130x300	9X129X299;L1:W1	183018_STR=05.96_EDG=BS9-1	2
12	160163675_DPLT-11	CO RM9		2000x100x9			
	160163675_DPLT-01-11	LED BOTTOM	PB-ST	9x100x2000	9X98X1998;L2:W2	183019_STR=20.39_EDG=AJ1-1	2
13	160163675_DPLT-11	CO RM9		600x100x9			
	160163675_DPLT-01-11	LED BOTTOM	PB-ST	9x100x600	9X98X598;L2:W2	183020_STR=20.39_EDG=AJ1-1	2
14	160163675_DBH602-15	CO_RM9		600x808x570			
	160163675_DBH602-01-15	LEFT	PB-ST	16x570x808	16X568X806;L2:W2	181014_STR=20.39_EDG=AJ1-1	2
	160163675_DBH602-02-15	RIGHT	PB-ST	16x570x808	16X568X806;L2:W2	181015_STR=20.39_EDG=AJ1-1	2
	160163675_DBH602-03-15	BOTTOM	PB-ST	16x570x567	16X568X567;L2:W0	182022_STR=20.39_EDG=AJ1-1	2
	160163675_DBH602-04-15	BACK_SP	PB-ST	9x576x795	9X576X795;NO EDGE	186017_STR=20.39_EDG=-	2
	160163675_DBH602-05-15	BEAM FRONT	PB-ST	16x60x567	16X58X567;L2:W0	183021_STR=20.39_EDG=AJ1-1	2
	160163675_DBH602-06-15	FIX SHELF	PB-ST	16x542x567	16X541X567;L1:W0	182023_STR=20.39_EDG=AJ1-1	2
	160163675_DBH602-07-15	HEAT SHILED	PB-ST	9x434x567	9X432X567;L2:W0	182024_STR=20.39_EDG=AJ1-1	2
	160163675_DBH602-08-15	FORNT DW B._SF(W1)	PB-ST	16x597x220	16X595X218;L2:W2	186018_STR=20.39_EDG=AJ1-1	2
	160163675_DBH602-09-15	DOUBLE DW. B.	PB-ST	16x148x509	16X146X509;L2:W0	183022_STR=20.44_EDG=WHITE-1	2
	160163675_DBH602-10-15	REAR DW. B.	PB-ST	16x148x509	16X146X509;L2:W0	183023_STR=20.44_EDG=WHITE-1	2
	160163675_DBH602-11-15	SIDE DW. B.	PB-ST	16x148x500	16X146X500;L2:W0	184007_STR=20.44_EDG=WHITE-1	2
	160163675_DBH602-11-15	SIDE DW. B.	PB-ST	16x148x500	16X146X500;L2:W0	184006_STR=20.44_EDG=WHITE-1	2
	160163675_DBH602-12-15	BASE DW.	MDF-SP	2.6x476x518	3X476X518;NO EDGE	182025_STR=03.11_EDG=-	2
	160163675_DBH602-12-15	BASE DW.	MDF-SP	2.6x476x518	3X476X518;NO EDGE	182026_STR=03.11_EDG=-	2
	160163675_DBH602-13-15	BEAM FLOOR DW.	PB-ST	12x35x467	12X35X467;NO EDGE	185004_STR=06.01_EDG=-	2
	160163675_DBH602-13-15	BEAM FLOOR DW.	PB-ST	12x35x467	12X35X467;NO EDGE	185003_STR=06.01_EDG=-	2
	160163675_DBH602-14-15	FORNT DW T._SF(W1)	PB-ST	16x597x150	16X595X148;L2:W2	186019_STR=20.39_EDG=AJ1-1	2
	160163675_DBH602-15-15	DOUBLE DW. T.	PB-ST	16x77x509	16X75X509;L2:W0	183024_STR=20.44_EDG=WHITE-1	2
	160163675_DBH602-16-15	REAR DW. T.	PB-ST	16x77x509	16X75X509;L2:W0	183025_STR=20.44_EDG=WHITE-1	2
	160163675_DBH602-17-15	SIDE DW. T.	PB-ST	16x77x500	16X75X500;L2:W0	184009_STR=20.44_EDG=WHITE-1	2
	160163675_DBH602-17-15	SIDE DW. T.	PB-ST	16x77x500	16X75X500;L2:W0	184008_STR=20.44_EDG=WHITE-1	2
15	160163675_DW70-17	CO RM9		700x400x300			

Model	160163675_DW70-17		
Creator	CHALEAMPHON	.BCP Name	INDEX_C3D_KITCHEN2
Reviewer		Order	E001950
Approves		Date	15/08/2025

No.	Article No.	Description	Mat	Dimension	Cutting Size	Typepology	Skin
	160163675_DW70-01-17	LEFT	PB-ST	16x300x400	16X298X398;L2:W2	181016_STR=05.96_EDG=BS9-1	2
	160163675_DW70-02-17	RIGHT	PB-ST	16x300x400	16X298X398;L2:W2	181017_STR=05.96_EDG=BS9-1	2
	160163675_DW70-03-17	TOP	PB-ST	16x300x667	16X298X667;L2:W0	182027_STR=05.96_EDG=BS9-1	2
	160163675_DW70-04-17	BOTTOM	PB-ST	16x300x667	16X298X667;L2:W0	182028_STR=05.96_EDG=BS9-1	2
	160163675_DW70-05-17	BACK_SP	MDF-SP	2.6x676x376	3X676X376;NO EDGE	186020_STR=03.11_EDG=-	2
	160163675_DW70-06-17	DOOR L_SF(W1)	PB-ST	16x347x400	16X345X398;L2:W2	186021_STR=05.96_EDG=BS9-1	2
	160163675_DW70-07-17	DOOR R_SF(W1)	PB-ST	16x347x400	16X345X398;L2:W2	186022_STR=05.96_EDG=BS9-1	2

FITTING LIST

Qty per 1 set

No	New	Article fitting	List	Connect	Qty/Pcs					Cost / Qty	Sum Cost
					Spray	Ass	Pack	Sum			
0		160163675_DBD303-01		300x808x570							
		4120500298	รางลูกปืน 45mm. Soft close Ball bearing slides 20" 500mm. # 45315H (Kav)				3	3			
		4121100027	ฉากพลาสติกใหญ่ สีขาว #00905				6	6			
		4121800154	คลิปล็อคพลาสติกสีดำ CS0624 ใช้กับขาไม้(SUP.แถมฟรี)				4	4			
		4121800156	ขาปรับระดับตู้ สูง 100 มม. CS-06202-10 ใช้ขาไม้+ขาอลู				4	4			
		4130100064	สกรูเกลียวปหล่อ F+6x3/8" นิกเกิล #0912				8	8			
		4130100118	สกรู C/B เกลียวตลอด F+M4x16 ชิงค์ขาว #0747				40	40			
		4130100120	สกรู C/B เกลียวตลอด F+M4x25 ชิงค์ขาว #0747				8	8			
		4130100124	สกรู C/B เกลียวตลอด F+M4x40 ชิงค์ขาว #0747				24	24			
		4130100143	สกรู C/B เกลียวตลอด P+M4x16 ชิงค์ขาว #0747				2	2			
		4130101159	สกรู C/B F+M3.5x13 ชิงค์ขาว				36	36			
		4130800004	Bolts steel yellow galv 262.27.615 24/5 mm.HAFELE				6	6			
		4130800012	Casing Minifix 16 mm.nickle plated 262.26.533 HAFELE				6	6			
		4131000017	เดือยไม้พารา 0 8x35mm.ไม่ทำสี				8	8			
1		160163675_DB35L-02		350x808x570							
		4120200092	ปุ่มยางกันกระแทก สีใส				2	2			
		4120200479	ปุ่มรับชั้น DIA.3mm.Trend Shelf Support # 103-02-				4	4			
		4120300441	บานพับหับขอบ+ปีกผีเสื้อ FIXED SOFT CLOSE HINGE COLD ROLLED STEEL # SP335H # 90 องศา				2	2			
		4120900060	ฝาปิดรูไม้กลม 0 11 mm.สีเทา #MD203(CAP 3x11 mm.) #00905				4	4			
		4121100027	ฉากพลาสติกใหญ่ สีขาว #00905				2	2			
		4121800154	คลิปล็อคพลาสติกสีดำ CS0624 ใช้กับขาไม้(SUP.แถมฟรี)				4	4			
		4121800156	ขาปรับระดับตู้ สูง 100 มม. CS-06202-10 ใช้ขาไม้+ขาอลู				4	4			
		4130100064	สกรูเกลียวปหล่อ F+6x3/8" นิกเกิล #0912				8	8			
		4130100118	สกรู C/B เกลียวตลอด F+M4x16 ชิงค์ขาว #0747				36	36			
		4130100120	สกรู C/B เกลียวตลอด F+M4x25 ชิงค์ขาว #0747				4	4			
		4130100143	สกรู C/B เกลียวตลอด P+M4x16 ชิงค์ขาว #0747				2	2			
		4130800004	Bolts steel yellow galv 262.27.615 24/5 mm.HAFELE				6	6			
		4130800012	Casing Minifix 16 mm.nickle plated 262.26.533 HAFELE				6	6			
		4131000017	เดือยไม้พารา 0 8x35mm.ไม่ทำสี				8	8			
2		160163675_DBS60R-03		600x808x570							
		30610000545	คานเหล็ก ขนาด 40x40x537 มม. พ่นสีดำ S10003TN				2	2			
		4120200092	ปุ่มยางกันกระแทก สีใส				2	2			
		4120300441	บานพับหับขอบ+ปีกผีเสื้อ FIXED SOFT CLOSE HINGE COLD ROLLED STEEL # SP335H # 90 องศา				2	2			
		4120800526	ฝาครอบท่อ 2" วัสดุ ABS สีขาวผิวเม็ดทราย #721				1	1			
		4120900060	ฝาปิดรูไม้กลม 0 11 mm.สีเทา #MD203(CAP 3x11 mm.) #00905				4	4			
		4121800024	ฝาครอบท่อ 3/4" สีขาวผิวเม็ดทราย(ABS) #721(175-005-017)				2	2			
		4121800034	คัตวาล์วยึดแผ่นสแตนเลส สีเทา ยาว 2 เมตร(ชุดครัว) #0867 CUT SIZE 553=2 & CUT SIZE 567=1				1	1			
		4121800127	สายนำดี 1/2"x24"(SS304)				1	1			
		4121800129	Angle Valve AP010+ฝาครอบโลหะ+เทพพันเกลียว				1	1			
		4121800154	คลิปล็อคพลาสติกสีดำ CS0624 ใช้กับขาไม้(SUP.แถมฟรี)				4	4			

No	Date	REVISION RECORD	REMARK	Create	CHALEAMPON	date:15/08/2025	Product name : -
4				Revivewer		date:	Article: TYPE:
3				Approves		date:	
2				Design			Customer: Indexlivingmall
1	15/08/2025	First departure		Name&Art			No:

FITTING LIST							Qty per 1 set			
No	New	Article fitting	List	Connect	Qty/Pcs				Cost / Qty	Sum Cost
					Spray	Ass	Pack	Sum		
		4121800156	ขาปรับระดับตู้ สูง 100 มม. CS-06202-10 ไม้ขาไม้+ขาอลู			4	4			
		4130100064	สกรูเกลียวปลาย F+6x3/8" นิกเกิล #0912			8	8			
		4130100118	สกรู C/B เกลียวตลอด F+M4x16 ซิงค์ขาว #0747			28	28			
		4130100120	สกรู C/B เกลียวตลอด F+M4x25 ซิงค์ขาว #0747			4	4			
		4130100143	สกรู C/B เกลียวตลอด P+M4x16 ซิงค์ขาว #0747			12	12			
		4130800004	Bolts steel yellow galv 262.27.615 24/5 mm.HAFELE			10	10			
		4130800012	Casing Minifix 16 mm.nickle plated 262.26.533 HAFELE			10	10			
		4131000017	เดือยไม้พารา 0 8x35mm.ไม้ทำสี			12	12			
		999NOCODE	ALU CUT SIZE 546x553 MM.			1	1			
3		160163675_DL60(HF)R-04		600x700x300						
		3220300006	ไม้ก๊อบ MDF18x18x200 mm. ปิดผิว Dead Stock 2 หน้า			8	8			
		4120200092	ปูนยางกันกระแทก สีใส			2	2			
		4120200479	ปูนรับชั้น DIA.3mm.Trend Shelf Support # 103-02-			4	4			
		4120300441	บานพับทับขอบ+ปีกผีเสื้อ FIXED SOFT CLOSE HINGE COLD ROLLED STEEL # SP335H # 90 ลงตา			2	2			
		4120900012	พลาสติกปิดเกือกม้า(เดือยกลม)สีขาว #00905			4	4			
		4120900028	ฝาปิดรูไม้กลม 0 11 mm.สีขาว(CAP 3x11 mm.)			4	4			
		4121300086	PUSH OPEN DEVICE แม่เหล็กกดกระดัง # KAV862A			1	1			
		4121800003	ชุดแขวนตู้ครัว KH-10 สีขาว+เพลทเหล็กชุดแขวนตู้ครัว KH-10			1	1			
		4121800135	Air Grill แบบกลม 5"			1	1			
		4121800136	Kitchen Aluminum Ventilation Duct TypeA 5" ยาว2เมตร			1	1			
		4121800147	Clamp coccector 5"			2	2			
		4130100117	สกรู C/B เกลียวตลอด F+M4x13 ซิงค์ขาว #0747			4	4			
		4130100118	สกรู C/B เกลียวตลอด F+M4x16 ซิงค์ขาว #0747			12	12			
		4130100120	สกรู C/B เกลียวตลอด F+M4x25 ซิงค์ขาว #0747			4	4			
		4130100121	สกรู C/B เกลียวตลอด F+M4x30 ซิงค์ขาว #0747			4	4			
		4130100146	สกรู C/B เกลียวตลอด P+M4x25 ซิงค์ขาว #0747			8	8			
		4130100147	สกรู C/B เกลียวตลอด P+M4x30 ซิงค์ขาว #0747			8	8			
		4130101189	สกรูซิปบอร์ด F+M5x50 mm. ซิงค์ขาว			6	6			
		4130500056	ฟักอิฐบล็อกจากยิปซัมบอร์ด (เหลือง) # UP-745			6	6			
		4130800004	Bolts steel yellow galv 262.27.615 24/5 mm.HAFELE			8	8			
		4130800012	Casing Minifix 16 mm.nickle plated 262.26.533 HAFELE			8	8			
		4131000017	เดือยไม้พารา 0 8x35mm.ไม้ทำสี			8	8			
4		160163675_DL30L-05		300x700x300						
		4120200092	ปูนยางกันกระแทก สีใส			2	2			
		4120200479	ปูนรับชั้น DIA.3mm.Trend Shelf Support # 103-02-			8	8			
		4120300441	บานพับทับขอบ+ปีกผีเสื้อ FIXED SOFT CLOSE HINGE COLD ROLLED STEEL # SP335H # 90 ลงตา			2	2			
		4120900012	พลาสติกปิดเกือกม้า(เดือยกลม)สีขาว #00905			4	4			
		4120900028	ฝาปิดรูไม้กลม 0 11 mm.สีขาว(CAP 3x11 mm.)			4	4			
		4121800003	ชุดแขวนตู้ครัว KH-10 สีขาว+เพลทเหล็กชุดแขวนตู้ครัว KH-10			1	1			
		4130100118	สกรู C/B เกลียวตลอด F+M4x16 ซิงค์ขาว #0747			12	12			
No	Date	REVISION RECORD	REMARK	Create	CHALEAMPON	date:15/08/2025	Product name : -			
4				Revivewer		date:	Article: TYPE:			
3				Approves		date:				
2				Design			Customer: Indexlivingmall			
1	15/08/2025	First departure		Name&Art			No:			
INTERFURN INDEX INTERFURN CO.LTD							Document control FR-RD-004 : REV#00:24/04/60			

FITTING LIST										Qty per 1 set	
No	New	Article fitting	List	Connect	Qty/Pcs				Cost / Qty	Sum Cost	
					Spray	Ass	Pack	Sum			
		4130100120	สกรู C/B เกลียวตลอด F+M4x25 ชิงค์ขาว #0747			4	4				
		4130100121	สกรู C/B เกลียวตลอด F+M4x30 ชิงค์ขาว #0747			4	4				
		4130101189	สกรูซีพบอร์ด F+M5x50 mm. ชิงขาว			6	6				
		4130500056	ฟุกัลรูปล็อกยิปซัมบอร์ด (เหลือง) # UP-745			6	6				
		4130800004	Bolts steel yellow galv 262.27.615 24/5 mm.HAFELE			8	8				
		4130800012	Casing Minifix 16 mm.nickle plated 262.26.533 HAFELE			8	8				
		4131000017	เดือยไม้พารา 0 8x35mm.ไม่ทำสี			8	8				
5		160163675_DL35L-06		350x700x300							
		4120200092	ปูนยงกันกระแทก สีใส			2	2				
		4120200479	ปูนรับชั้น DIA.3mm.Trend Shelf Support # 103-02-			8	8				
		4120300441	บานพับทับขอบ+ปีกผีเสื้อ FIXED SOFT CLOSE HINGE COLD ROLLED STEEL # SP335H # 90 ลงตา			2	2				
		4120900012	พลาสติกปิดเกือบไม้(เดือยกลม)สีขาว #00905			4	4				
		4120900028	ฝาปิดรูไม้กลม 0 11 mm.สีขาว(CAP 3x11 mm.)			4	4				
		4121800003	ชุดแขวนตู้ครัว KH-10 สีขาว+เพลทเหล็กชุดแขวนตู้ครัว KH-10			1	1				
		4130100118	สกรู C/B เกลียวตลอด F+M4x16 ชิงค์ขาว #0747			12	12				
		4130100120	สกรู C/B เกลียวตลอด F+M4x25 ชิงค์ขาว #0747			4	4				
		4130100121	สกรู C/B เกลียวตลอด F+M4x30 ชิงค์ขาว #0747			4	4				
		4130101189	สกรูซีพบอร์ด F+M5x50 mm. ชิงขาว			6	6				
		4130500056	ฟุกัลรูปล็อกยิปซัมบอร์ด (เหลือง) # UP-745			6	6				
		4130800004	Bolts steel yellow galv 262.27.615 24/5 mm.HAFELE			8	8				
		4130800012	Casing Minifix 16 mm.nickle plated 262.26.533 HAFELE			8	8				
		4131000017	เดือยไม้พารา 0 8x35mm.ไม่ทำสี			8	8				
6		160163675_DL60R-07		600x700x300							
		4120200092	ปูนยงกันกระแทก สีใส			2	2				
		4120200479	ปูนรับชั้น DIA.3mm.Trend Shelf Support # 103-02-			8	8				
		4120300441	บานพับทับขอบ+ปีกผีเสื้อ FIXED SOFT CLOSE HINGE COLD ROLLED STEEL # SP335H # 90 ลงตา			2	2				
		4120900012	พลาสติกปิดเกือบไม้(เดือยกลม)สีขาว #00905			4	4				
		4120900028	ฝาปิดรูไม้กลม 0 11 mm.สีขาว(CAP 3x11 mm.)			4	4				
		4121800003	ชุดแขวนตู้ครัว KH-10 สีขาว+เพลทเหล็กชุดแขวนตู้ครัว KH-10			1	1				
		4130100118	สกรู C/B เกลียวตลอด F+M4x16 ชิงค์ขาว #0747			12	12				
		4130100120	สกรู C/B เกลียวตลอด F+M4x25 ชิงค์ขาว #0747			4	4				
		4130100121	สกรู C/B เกลียวตลอด F+M4x30 ชิงค์ขาว #0747			4	4				
		4130101189	สกรูซีพบอร์ด F+M5x50 mm. ชิงขาว			6	6				
		4130500056	ฟุกัลรูปล็อกยิปซัมบอร์ด (เหลือง) # UP-745			6	6				
		4130800004	Bolts steel yellow galv 262.27.615 24/5 mm.HAFELE			8	8				
		4130800012	Casing Minifix 16 mm.nickle plated 262.26.533 HAFELE			8	8				
		4131000017	เดือยไม้พารา 0 8x35mm.ไม่ทำสี			8	8				
7		160163675_DFB-10		150x808x570							
		3220300006	ไม้ก้อน MDF18x18x200 mm. ปิดผิว Dead Stock 2 หน้า			3	3				
		4121100027	ฉากพลาสติกใหญ่ สีขาว #00905			1	1				
No	Date	REVISION RECORD	REMARK	Create	CHALEAMPON	date:15/08/2025	Product name : -				
4				Revivewer		date:	Article: TYPE:				
3				Approves		date:					
2				Design			Customer: Indexlivingmall				
1	15/08/2025	First departure		Name&Art			No:				
INTERFURN INDEX INTERFURN CO.LTD Document control FR-RD-004 : REV#00:24/04/60							Page 3				

FITTING LIST							Qty per 1 set				
No	New	Article fitting	List	Connect	Qty/Pcs				Cost / Qty	Sum Cost	
					Spray	Ass	Pack	Sum			
		4130100118	สกรู C/B เกลียวตลอด F+M4x16 ซิงค์ขาว #0747			4	4				
		4130100147	สกรู C/B เกลียวตลอด P+M4x30 ซิงค์ขาว #0747			12	12				
8		160163675_DFL-10		150x700x300							
		3220300006	ไม้ก๊อมน MDF18x18x200 mm. ปิดผิว Dead Stock 2 หน้า			4	4				
		4121100027	ฉากพลาสติกใหญ่ สีขาว #00905			2	2				
		4130100118	สกรู C/B เกลียวตลอด F+M4x16 ซิงค์ขาว #0747			8	8				
		4130100147	สกรู C/B เกลียวตลอด P+M4x30 ซิงค์ขาว #0747			16	16				
9		160163675_DFCL700-11		700x130x9							
		3220300006	ไม้ก๊อมน MDF18x18x200 mm. ปิดผิว Dead Stock 2 หน้า			2	2				
		4130100147	สกรู C/B เกลียวตลอด P+M4x30 ซิงค์ขาว #0747			4	4				
10		160163675_DFCL2000-11		2000x130x9							
		3220300006	ไม้ก๊อมน MDF18x18x200 mm. ปิดผิว Dead Stock 2 หน้า			2	2				
		4130100147	สกรู C/B เกลียวตลอด P+M4x30 ซิงค์ขาว #0747			4	4				
11		160163675_DFCL300-11		300x130x9							
		3220300006	ไม้ก๊อมน MDF18x18x200 mm. ปิดผิว Dead Stock 2 หน้า			2	2				
		4130100147	สกรู C/B เกลียวตลอด P+M4x30 ซิงค์ขาว #0747			4	4				
12		160163675_DPLT-11		2000x100x9							
13		160163675_DPLT-11		600x100x9							
14		160163675_DBH602-15		600x808x570							
		4120500298	รางลูกปืน 45mm. Soft close Ball bearing slides 20" 500mm. # 45315H (Kav)			2	2				
		4120900060	ฝาปิดรูไม้กลม 0 11 mm.สีเทา #MD203(CAP 3x11 mm.) #00905			4	4				
		4121100027	ฉากพลาสติกใหญ่ สีขาว #00905			8	8				
		4121800115	ถาดวางซ้อน 60 CM. สีขาว C600 CUT SIZE 467x509 MM.			1	1				
		4121800154	คลิปล็อคพลาสติกสีดำ CS0624 ใช้กับขาไม้(SUP.แถมฟรี)			6	6				
		4121800156	ขาปรับระดับตู้ สูง 100 มม. CS-06202-10 ใช้ขาไม้+ขาอลู			4	4				
		4130100064	สกรูเกลียวปหล่อย F+6x3/8" นีเกิล #0912			24	24				
		4130100118	สกรู C/B เกลียวตลอด F+M4x16 ซิงค์ขาว #0747			36	36				
		4130100120	สกรู C/B เกลียวตลอด F+M4x25 ซิงค์ขาว #0747			10	10				
		4130100124	สกรู C/B เกลียวตลอด F+M4x40 ซิงค์ขาว #0747			20	20				
		4130101159	สกรู C/B F+M3.5x13 ซิงค์ขาว			24	24				
		4130800004	Bolts steel yellow galv 262.27.615 24/5 mm.HAFELE			8	8				
		4130800012	Casing Minifix 16 mm.nickle plated 262.26.533 HAFELE			8	8				
		4131000017	เดือยไม้พารา 0 8x35mm.ไม้ทำสี			12	12				
		4140501396	ฉนวนกันความร้อน PE+METALIZED FOIL t.4mm. x90cm. ยาว 100m. CUT SIZE 567X434 MM.			1	1				
15		160163675_DW70-17		700x400x300							
		4120200092	ปุ่มยางกันกระแทก สีใส			4	4				
		4120300441	บานพับหับขอบ+ปีกผีเสื้อ FIXED SOFT CLOSE HINGE COLD ROLLED STEEL # SP335H # 90 ลงตา			4	4				
		4120900012	พลาสติกปิดเกือบมา(เดือยกลม)สีขาว #00905			4	4				
		4120900028	ฝาปิดรูไม้กลม 0 11 mm.สีขาว(CAP 3x11 mm.)			4	4				
		4121800003	ชุดแขวนตู้ครัว KH-10 สีขาว+เพลาเหล็กชุดแขวนตู้ครัว KH-10			1	1				
No	Date	REVISION RECORD	REMARK	Create	CHALEAMPON	date:15/08/2025	Product name : -				
4				Revivewer		date:	Article: TYPE:				
3				Approves		date:					
2				Design			Customer: Indexlivingmall				
1	15/08/2025	First departure		Name&Art			No:				
INTERFURN INDEX INTERFURN CO.LTD							Document control FR-RD-004 : REV#00:24/04/60			Page 4	

FITTING LIST

Qty per 1 set

No	New	Article fitting	List	Connect	Qty/Pcs				Cost / Qty	Sum Cost
					Spray	Ass	Pack	Sum		
		4130100118	สกรู C/B เกลียวดลอด F+M4x16 ชิงค์ขาว #0747				24	24		
		4130100120	สกรู C/B เกลียวดลอด F+M4x25 ชิงค์ขาว #0747				4	4		
		4130100121	สกรู C/B เกลียวดลอด F+M4x30 ชิงค์ขาว #0747				4	4		
		4130101189	สกรูซีพมบอร์ด F+M5x50 mm. ชิงขาว				6	6		
		4130500056	ฟุกอีรูบล็อกยิปซีบมบอร์ด (เหลือง) # UP-745				6	6		
		4130800004	Bolts steel yellow galv 262.27.615 24/5 mm.HAFELE				8	8		
		4130800012	Casing Minifix 16 mm.nickle plated 262.26.533 HAFELE				8	8		
		4131000017	เดือยไม้พารา 0 8x35mm.ไม้ทำสี				8	8		

No	Date	REVISION RECORD	REMARK	Create	CHALEAMPHON	date:15/08/2025	Product name : -
4				Revivewer		date:	Article: TYPE:
3				Approves		date:	
2				Design			Customer: Indexlivingmall
1	15/08/2025	First departure		Name&Art			No: