

Model	ROMM_CONVECT_DB112I_1		
Creator	SUTTHI.P	.BCP Name	INDEX_C3D_KITCHENPAE
Reviewer		Order	O002678
Approves	<i>P.SAWA</i>	Date	01/08/2025

ROMM_CONVECT_DB112I_1-1120X570X760

Colour

04.69=PB-E1 4'X8'T LAMINATE WILMIKA TEXT NO. W3125-16
 04.691=ALVIC LUMAX-SPP/4'X10'X18MM.-BLANCO SUPPERMATT(LX8
 04.692=PB-E1 4'X9'T. LAMINA WILMIKA TEXT NO. W3125-16
 04.693=HPL WILMIKA NO. W3125-16/HPL.TD#9201 PL
 06.01=TEXTURE DEAD STOCK

Edge

01.405=1 DWK3125AT
 01.47=1 WHITE

K13L 160161368

R&D REVIEW

DWG.Customer

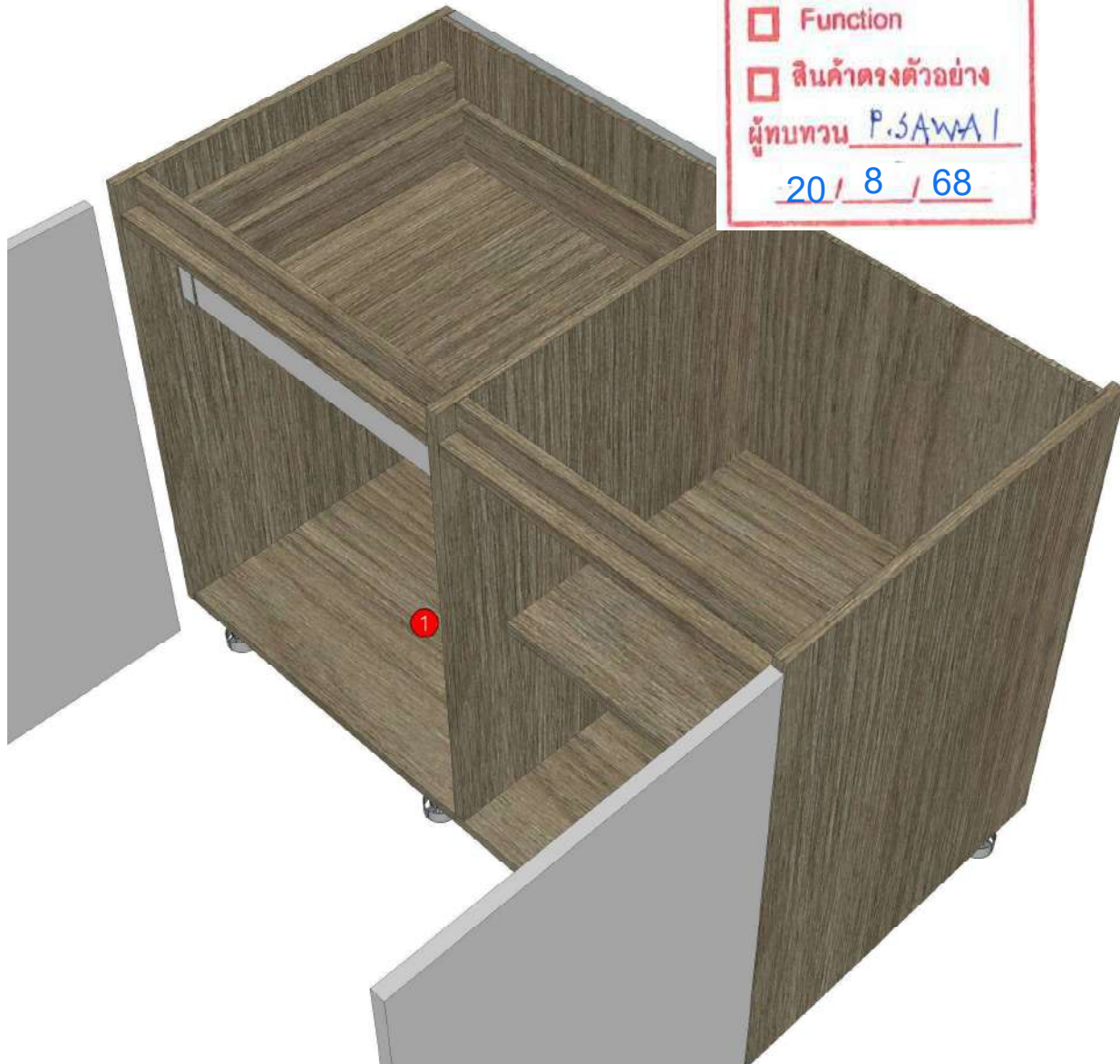
Work Report

Function

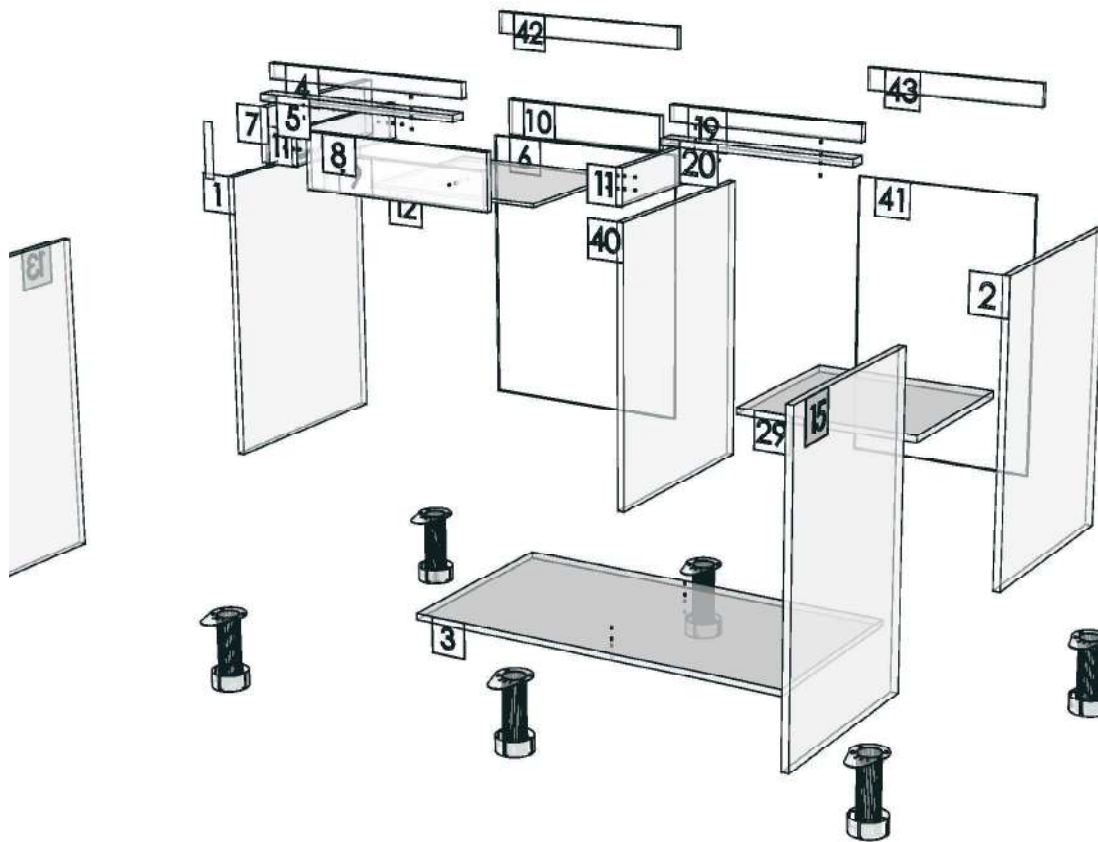
สินค้าตรงตัวอย่าง

ผู้ทบทวน P.SAWA

20 / 8 / 68



Model	-ROMM_CONVECT_DB112I_1		
Creator	SUTTHI.P	.BCP Name	INDEX_C3D_KITCHENPAE
Reviewer		Order	O002678
Approves	<i>P. SAWA</i>	Date	01/08/2025



Model	ROMM_CONVECT_DB55LL_1		
Creator	SUTTHI.P	.BCP Name	INDEX_C3D_KITCHENPAE
Reviewer		Order	O002679
Approves	<i>P.SAWA</i>	Date	01/08/2025

ROMM_CONVECT_DB55LL_1-550X670X830

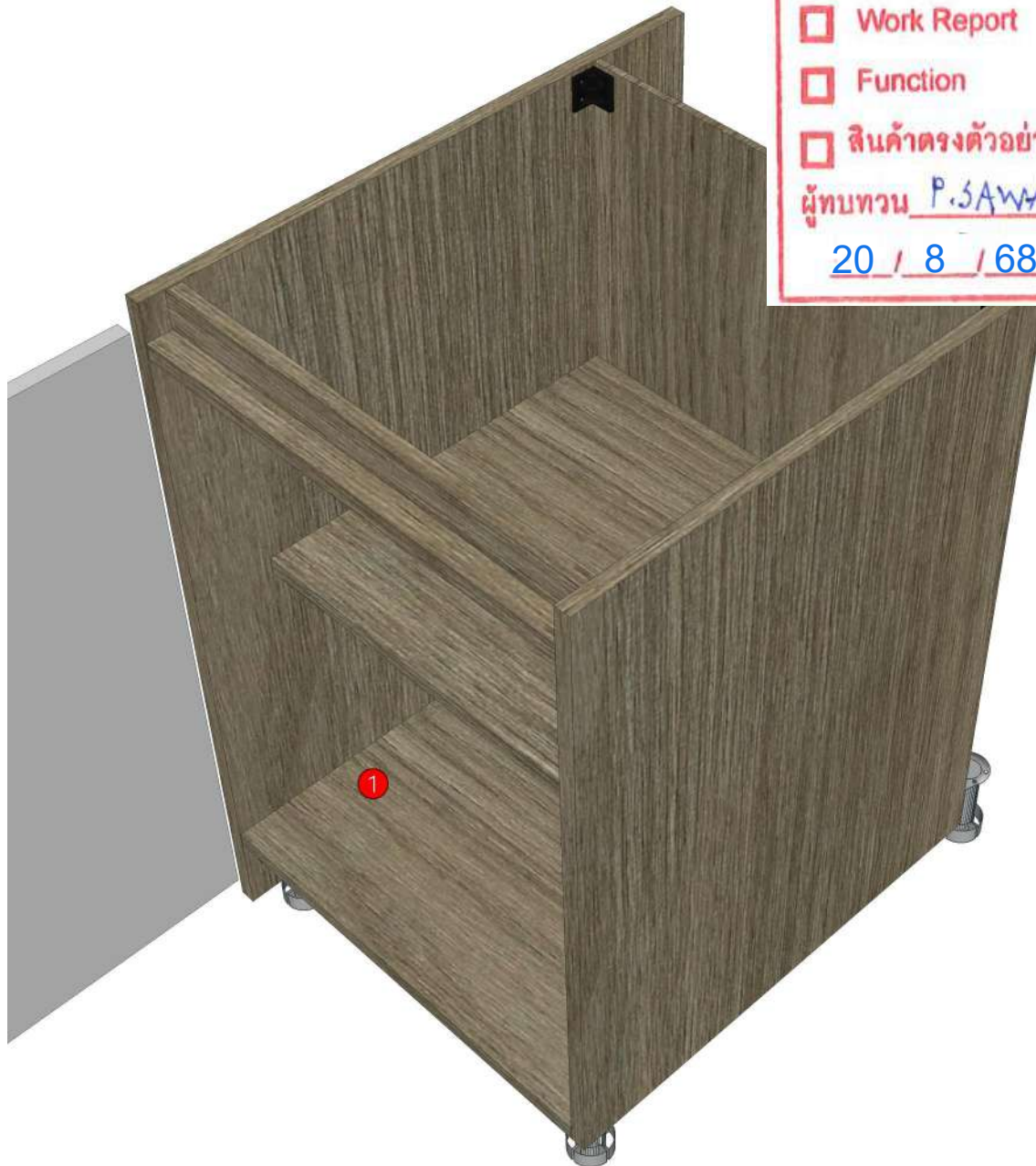
Colour

04.69=PB-E1 4'X8'T LAMINATE WILMIKA TEXT NO. W3125-16
04.691=ALVIC LUMAX-SPP/4'X10'X18MM.-BLANCO SUPPERMATT(LX8
04.692=PB-E1 4'X9'T. LAMINA WILMIKA TEXT NO. W3125-16
04.693=HPL WILMIKA NO. W3125-16/HPL.TD#9201 PL

Edge

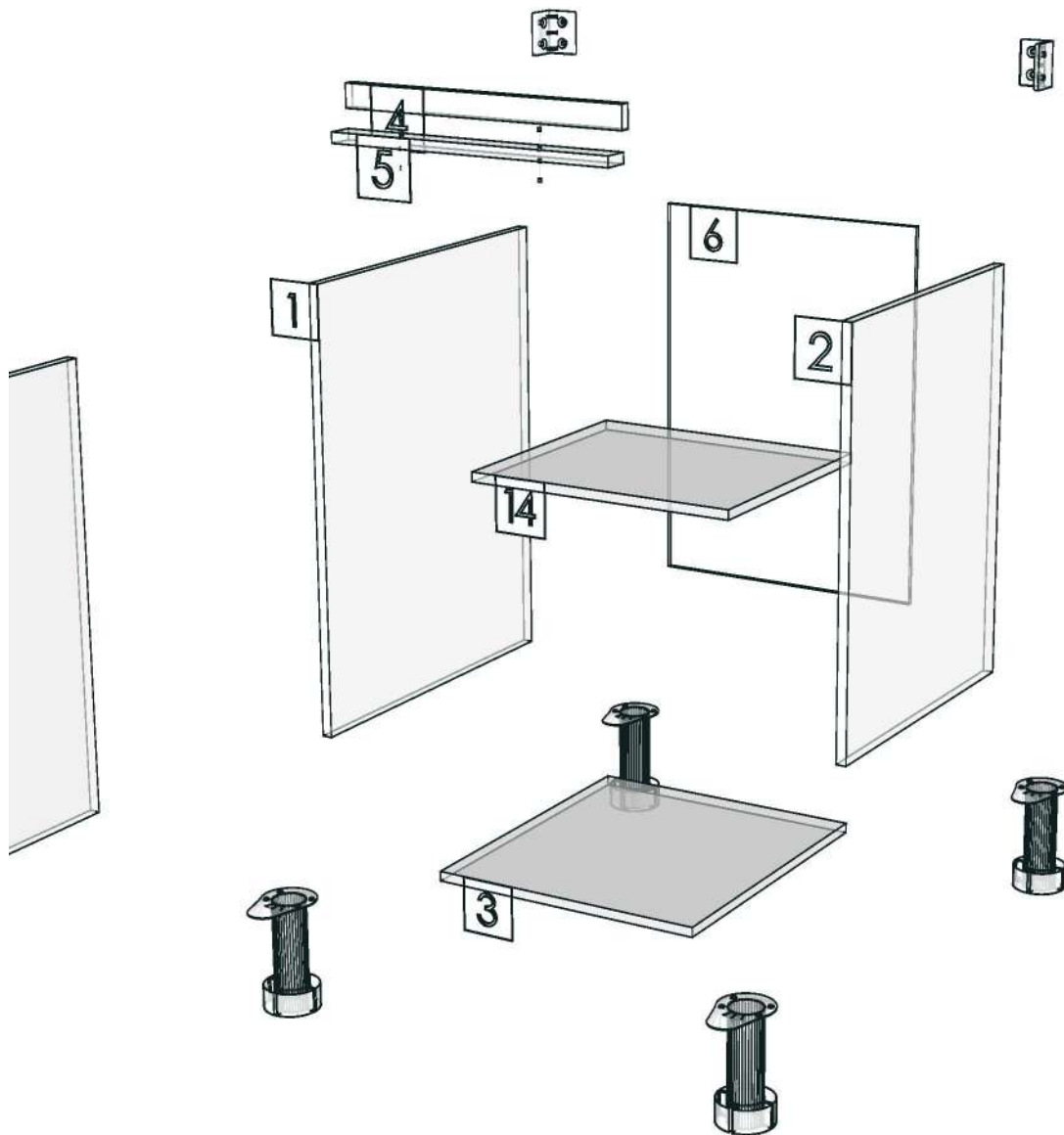
01.405=1 DWK3125AT
01.47=1 WHITE

K13L 160161368



R&D REVIEW	
<input checked="" type="checkbox"/>	DWG.Customer
<input type="checkbox"/>	Work Report
<input type="checkbox"/>	Function
<input type="checkbox"/>	สินค้าตรงตัวอย่าง
ผู้ทบทวน <u>P.SAWA</u>	
<u>20 / 8 / 68</u>	

Model	-ROMM_CONVECT_DB55LL_1		
Creator	SUTTHI.P	.BCP Name	INDEX_C3D_KITCHENPAE
Reviewer		Order	0002679
Approves	<i>P. SAWA</i>	Date	01/08/2025



Model	ROMM_CONVECT_DB60L_1		
Creator	SUTTHI.P	.BCP Name	INDEX_C3D_KITCHENPAE
Reviewer		Order	O002680
Approves	P.SAWA	Date	02/08/2025

ROMM_CONVECT_DB60L_1-600X570X730

Colour

04.69=PB-E1 4'X8'T LAMINATE WILMIKA TEXT NO. W3125-16
 04.691=ALVIC LUMAX-SPP/4'X10'X18MM.-BLANCO SUPPERMATT(LX8
 04.692=PB-E1 4'X9'T. LAMINA WILMIKA TEXT NO. W3125-16
 04.693=HPL WILMIKA NO. W3125-16/HPL.TD#9201 PL

Edge

01.405=1 DWK3125AT
 01.47=1 WHITE

K13L 160161368

R&D REVIEW

DWG.Customer

Work Report

Function

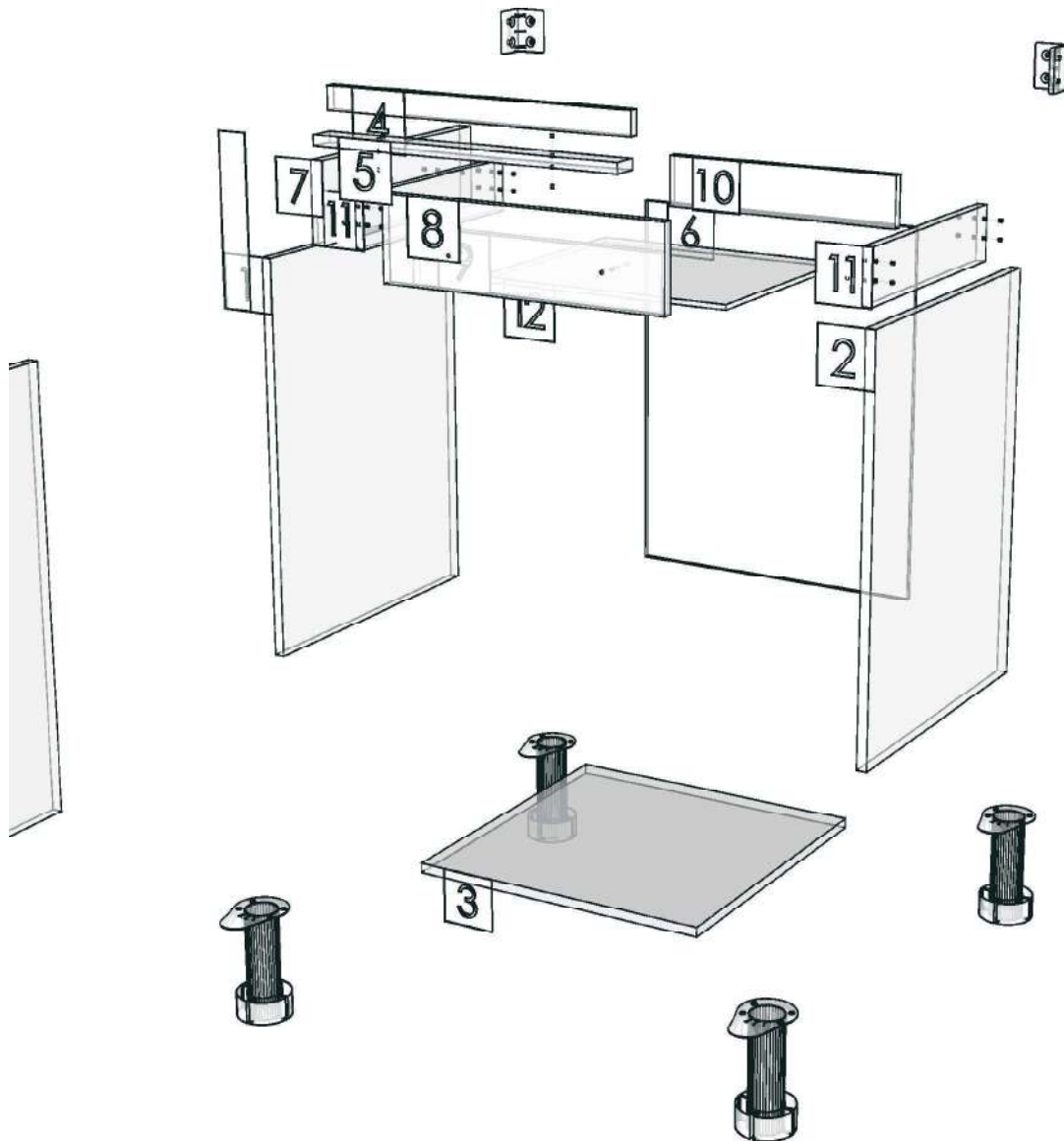
สินค้าตรงตัวอย่าง

ผู้ทบทวน P.SAWA

20 / 8 / 68



Model	-ROMM_CONVECT_DB60L_1		
Creator	SUTTHI.P	.BCP Name	INDEX_C3D_KITCHENPAE
Reviewer		Order	O002680
Approves	<i>P. SAWAI</i>	Date	02/08/2025



Model	ROMM_CONVECT_DB60R_1		
Creator	SUTTHI.P	.BCP Name	INDEX_C3D_KITCHENPAE
Reviewer		Order	O002681
Approves	P.SAWA	Date	02/08/2025

ROMM_CONVECT_DB60R_1-600X570X730

Colour

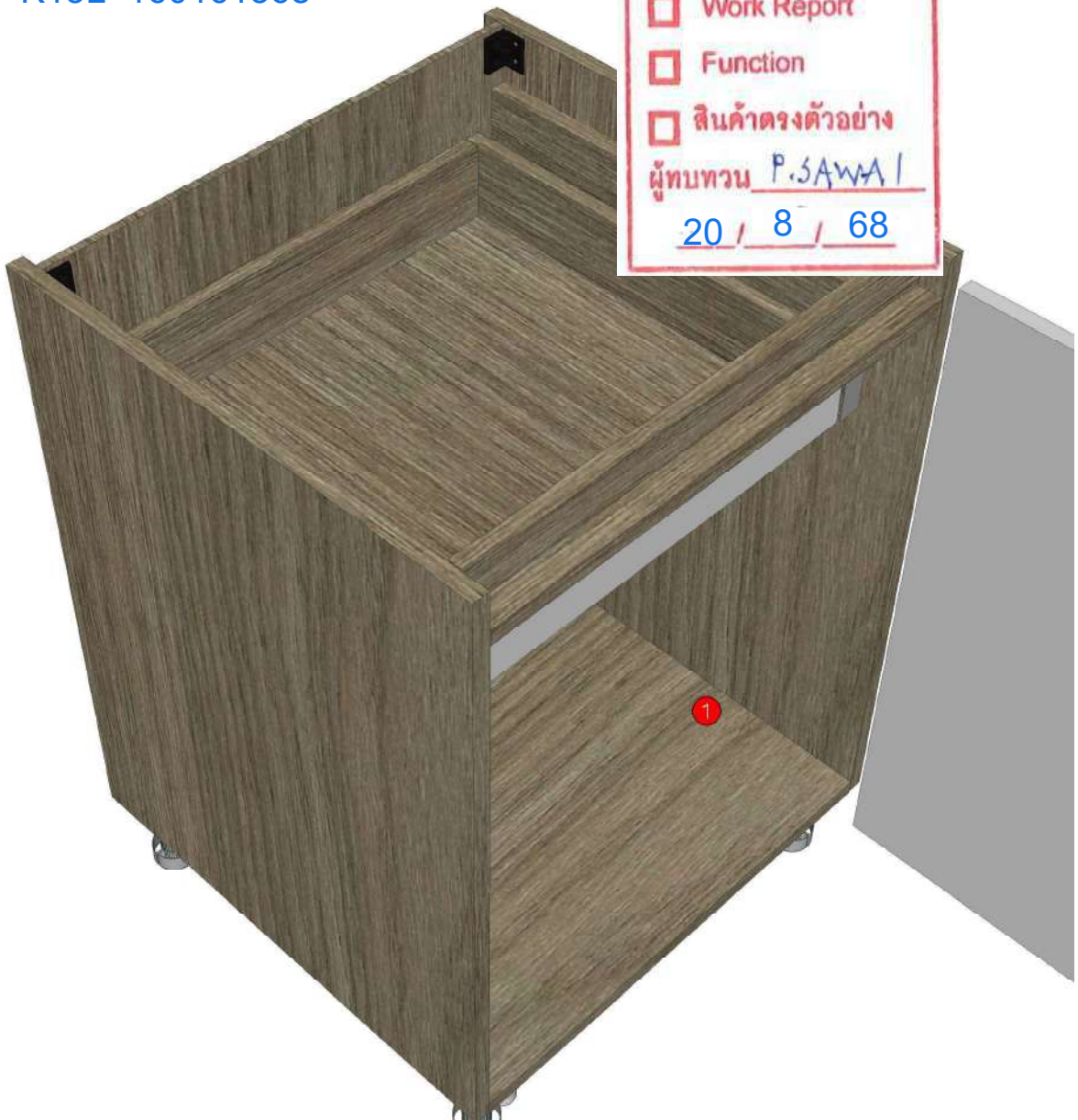
04.69=PB-E1 4'X8'T LAMINATE WILMIKA TEXT NO. W3125-16
04.691=ALVIC LUMAX-SPP/4'X10'X18MM.-BLANCO SUPPERMATT(LX8
04.692=PB-E1 4'X9'T. LAMINA WILMIKA TEXT NO. W3125-16
04.693=HPL WILMIKA NO. W3125-16/HPL.TD#9201 PL

Edge

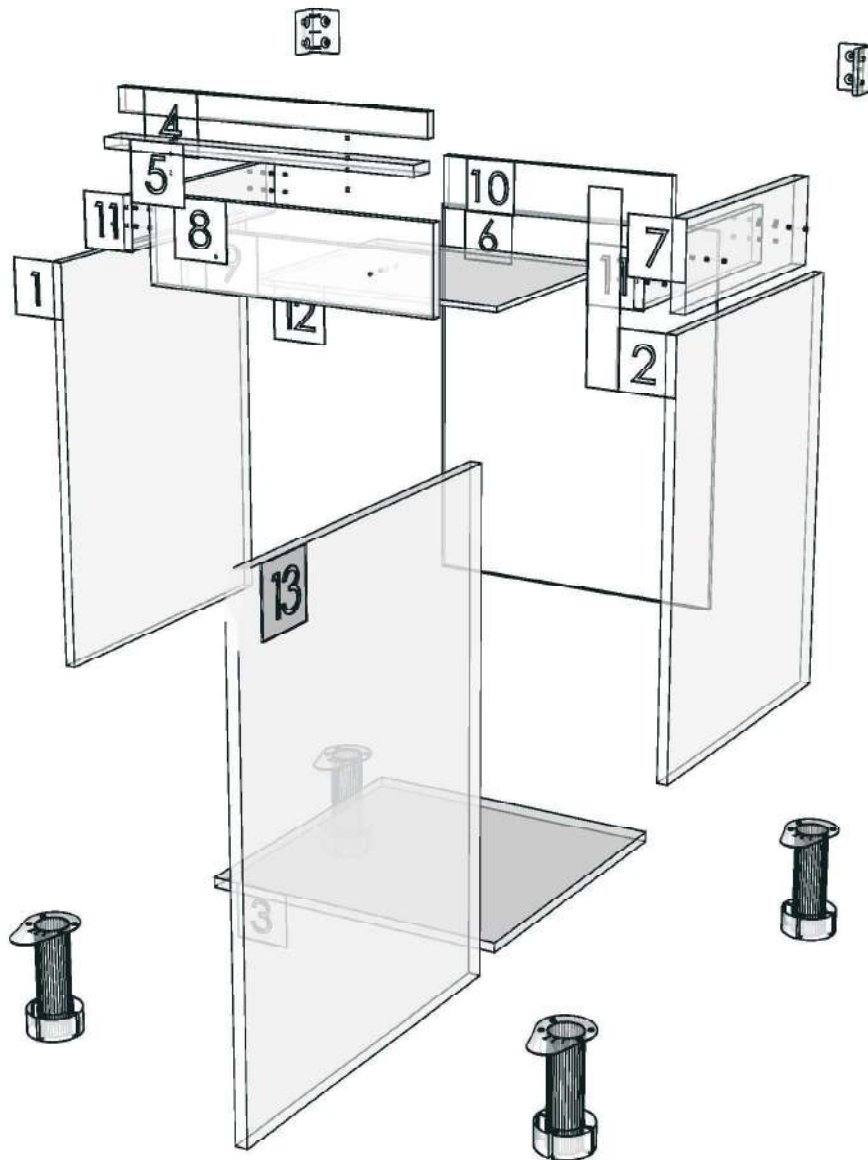
01.405=1 DWK3125AT
01.47=1 WHITE

K10R 160161347

K13L 160161368



Model	-ROMM_CONVECT_DB60R_1		
Creator	SUTTHI.P	.BCP Name	INDEX_C3D_KITCHENPAE
Reviewer		Order	O002681
Approves	<i>P. SAWAI</i>	Date	02/08/2025



Model	ROMM_CONVECT_DBD20_1		
Creator	SUTTHI.P	.BCP Name	INDEX_C3D_KITCHENPAE
Reviewer		Order	O002486
Approves	<i>P.SAWA</i>	Date	06/06/2025

ROMM_CONVECT_DBD20_1-200X570X760

Colour

04.69=PB-E1 4'X8'T LAMINATE WILMIKA TEXT NO. W3125-16
04.691=ALVIC LUMAX-SPP/4'X10'X18MM.-BLANCO SUPPERMATT(LX8
04.692=PB-E1 4'X9'T. LAMINA WILMIKA TEXT NO. W3125-16
04.693=HPL WILMIKA NO. W3125-16/HPL.TD#9201 PL

Edge

01.405=1 DWK3125AT
01.4051=1 WHITE 01016

K5R 160152669

K6L 160160455

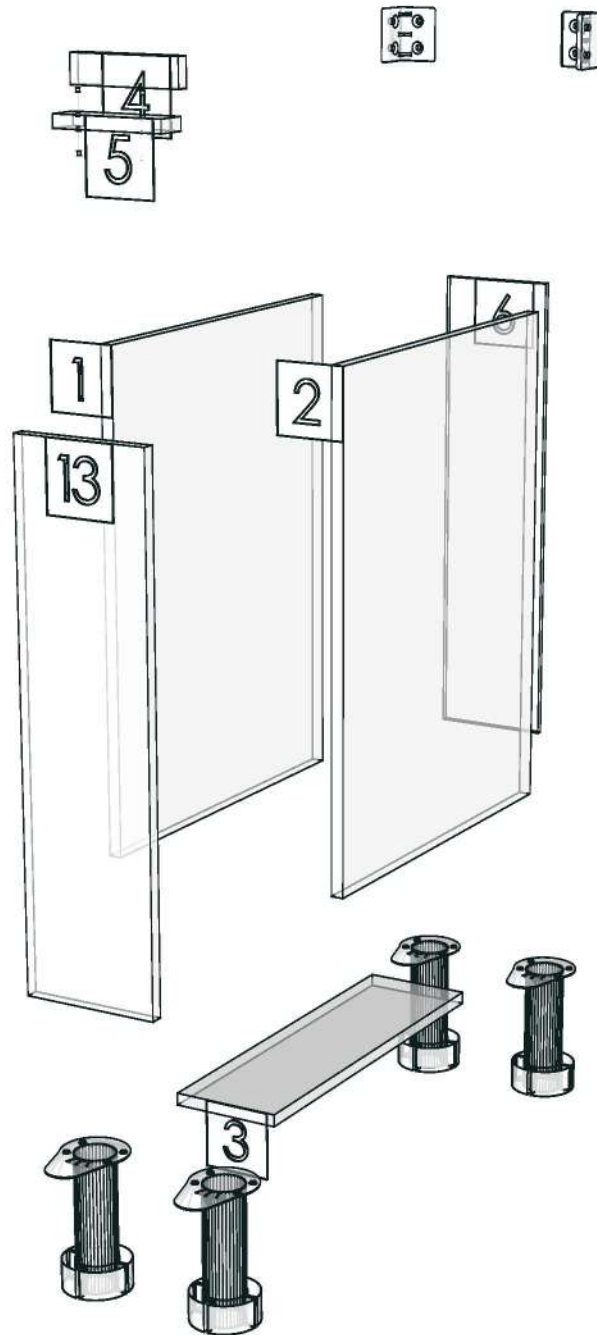
K13L 160161368

K18R 160161391



R&D REVIEW	
<input checked="" type="checkbox"/>	DWG.Customer
<input type="checkbox"/>	Work Report
<input type="checkbox"/>	Function
<input type="checkbox"/>	สินค้าตรงตัวอย่าง
ผู้ทบทวน <u>P.SAWA</u>	
<u>31 / 7 / 68</u>	

Model	-ROMM_CONVECT_DBD20_1		
Creator	SUTTHI.P	.BCP Name	INDEX_C3D_KITCHENPAE
Reviewer		Order	O002486
Approves	<i>P. SAWA</i>	Date	06/06/2025



Model	ROMM_CONVECT_DBH601_1		
Creator	SUTTHI.P	.BCP Name	INDEX_C3D_KITCHENPAE
Reviewer		Order	O002488
Approves	P.SAWA	Date	06/06/2025

ROMM_CONVECT_DBH601_1-600X570X730

Colour

04.69=PB-E1 4'X8'T LAMINATE WILMIKA TEXT NO. W3125-16
04.691=ALVIC LUMAX-SPP/4'X10'X18MM.-BLANCO SUPPERMATT(LX8
04.692=PB-E1 4'X9'T. LAMINA WILMIKA TEXT NO. W3125-16
04.693=HPL WILMIKA NO. W3125-16/HPL.TD#9201 PL

Edge

01.405=1 DWK3125AT
01.4051=1 WHITE 01016

K5R 160152669

K15R 160152736

K6L 160160455

K18R 160161391

K10R 160161347

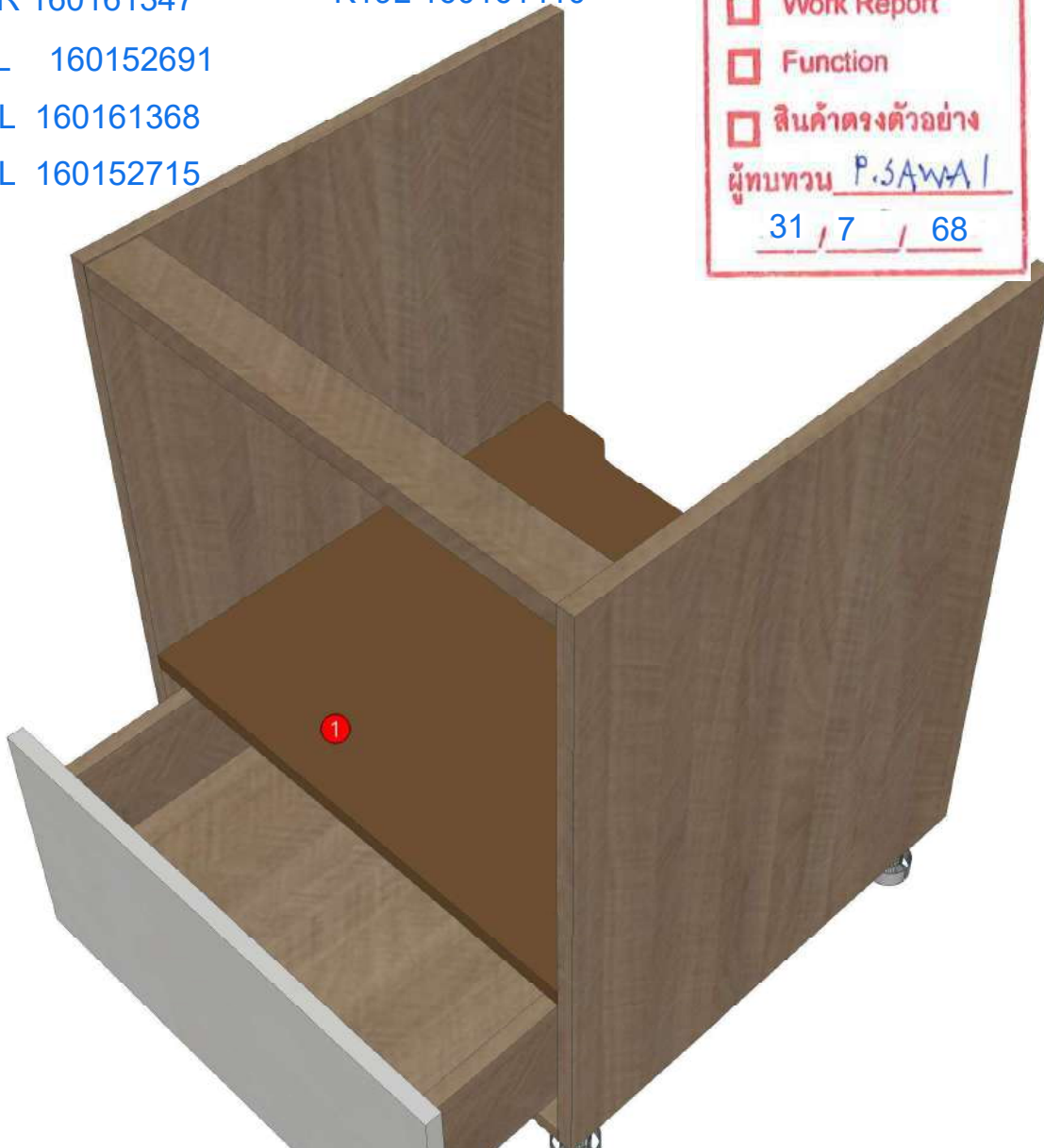
K19L 160161410

K11L 160152691

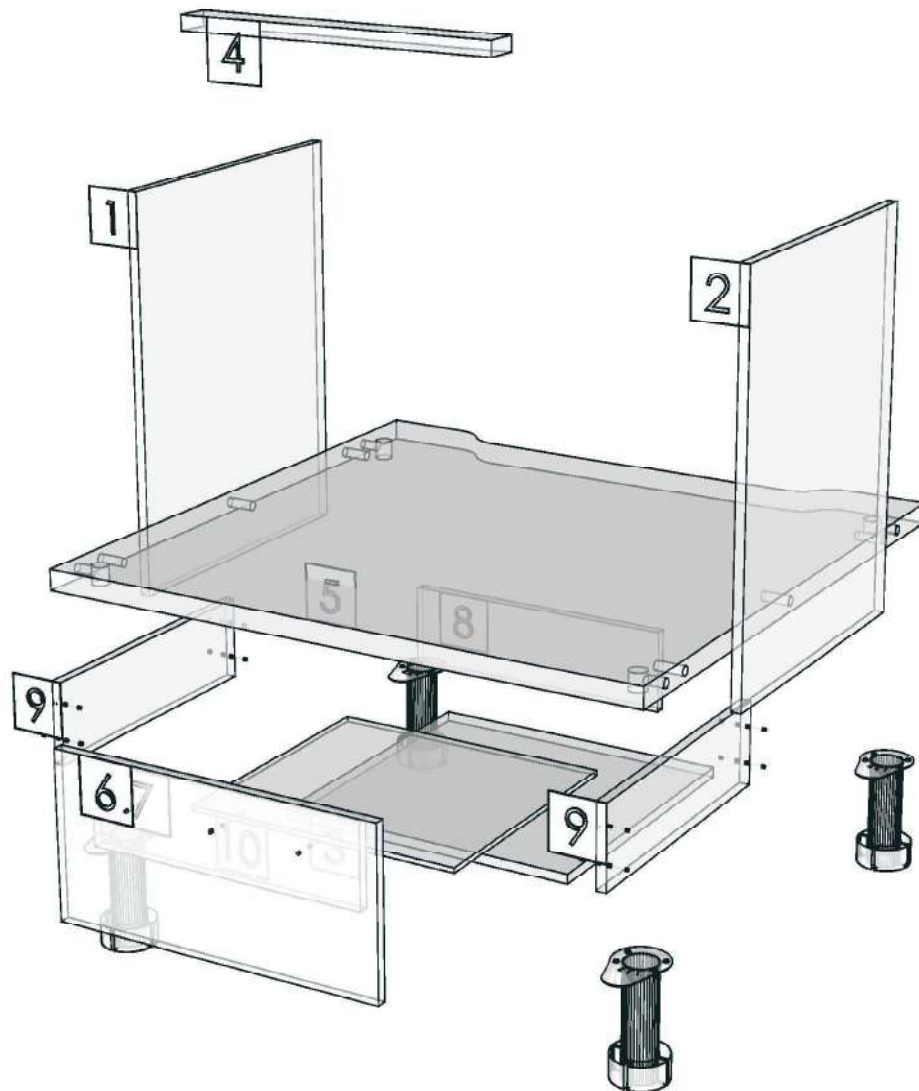
K13L 160161368

K14L 160152715

R&D REVIEW	
<input checked="" type="checkbox"/>	DWG.Customer
<input type="checkbox"/>	Work Report
<input type="checkbox"/>	Function
<input type="checkbox"/>	สินค้าตรงตัวอย่าง
ผู้ทบทวน <u>P.SAWA</u>	
<u>31 / 7 / 68</u>	



Model	-ROMM_CONVECT_DBH601_1		
Creator	SUTTHI.P	.BCP Name	INDEX_C3D_KITCHENPAE
Reviewer		Order	O002488
Approves	<i>P. SAWAI</i>	Date	06/06/2025



Model	ROMM_CONVECT_DBS100I_1		
Creator	SUTTHI.P	.BCP Name	INDEX_C3D_KITCHENPAE
Reviewer		Order	O002677
Approves	<i>P. SAWA</i>	Date	01/08/2025

ROMM_CONVECT_DBS100I_1-1000X570X760

Colour

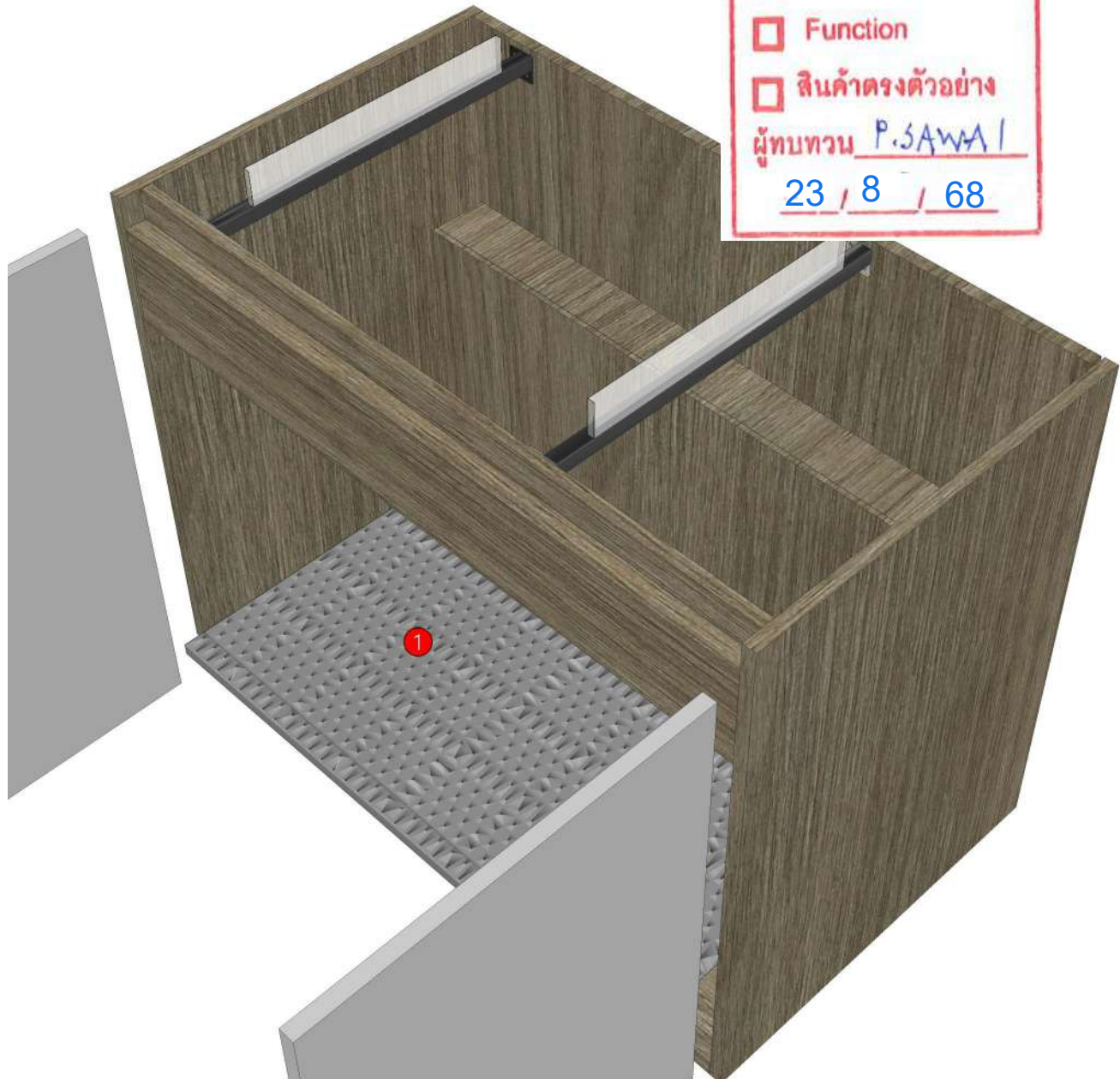
04.69=PB-E1 4'X8'T LAMINATE WILMIKA TEXT NO. W3125-16
04.691=ALVIC LUMAX-SPP/4'X10'X18MM.-BLANCO SUPPERMATT(LX8)
04.692=PB-E1 4'X9'T. LAMINA WILMIKA TEXT NO. W3125-16
04.693=HPL WILMIKA NO. W3125-16/HPL.TD#9201 PL

Edge

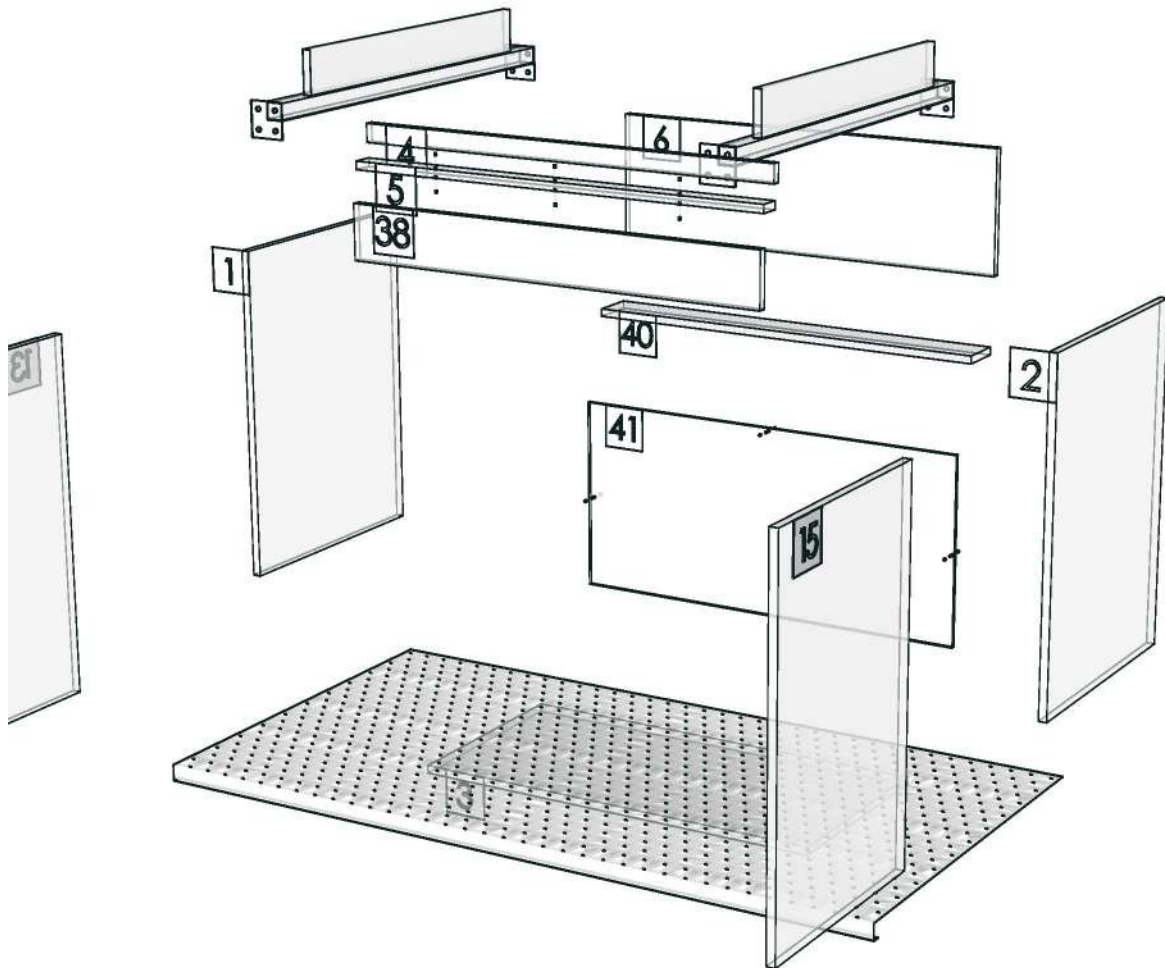
01.405=1 DWK3125AT
01.47=1 WHITE

K10R 160161347

K13L 160161368



Model	-ROMM_CONVECT_DBS100I_1		
Creator	SUTTHI.P	.BCP Name	INDEX_C3D_KITCHENPAE
Reviewer		Order	0002677
Approves	<i>P. SAWA</i>	Date	01/08/2025



Model	ROMM_CONVECT_DDM_1400_6_1		
Creator	SUTTHI.P	.BCP Name	INDEX_C3D_KITCHENPAE
Reviewer		Order	0002736
Approves	P. SAWA	Date	12/08/2025

ROMM_CONVECT_DDM_1400_6_1-1400X6X375

Colour

04.69=PB-E1 4'X8'T LAMINATE WILMIKA TEXT NO. W3125-16
04.691=ALVIC LUMAX-SPP/4'X10'X18MM.-BLANCO SUPPERMATT(LX8
03.13=PVC WHITE#630 T0.15MM.

Edge

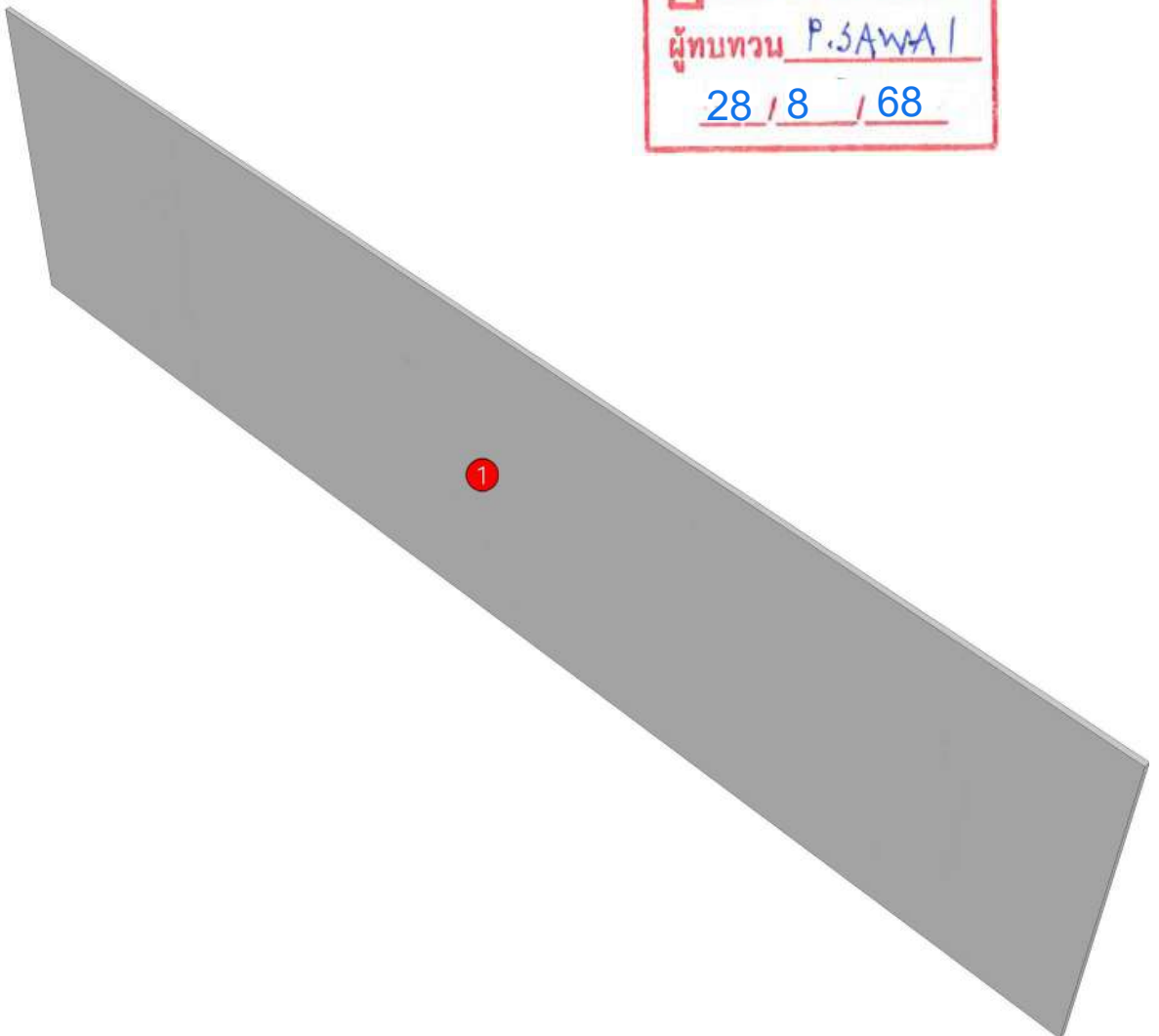
01.405=1 DWK3125AT
01.47=1 WHITE

K3R 160161323

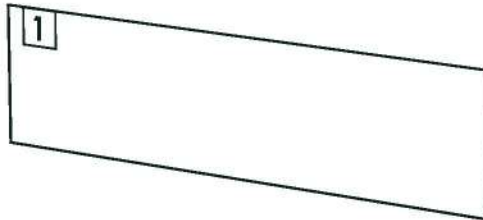
K13L 160161368

K18R 160161391

R&D REVIEW	
<input checked="" type="checkbox"/>	DWG.Customer
<input type="checkbox"/>	Work Report
<input type="checkbox"/>	Function
<input type="checkbox"/>	สินค้าตรงตัวอย่าง
ผู้ทบทวน <u>P.SAWA</u>	
<u>28 / 8 / 68</u>	



Model	-ROMM_CONVECT_DDM_1400_6_1		
Creator	SUTTHI.P	.BCP Name	INDEX_C3D_KITCHENPAE
Reviewer		Order	0002736
Approves	P. SAWA	Date	12/08/2025



Model	ROMM_CONVECT_DDM_1400_9_1		
Creator	SUTTHI.P	.BCP Name	INDEX_C3D_KITCHENPAE
Reviewer		Order	0002737
Approves	P.SAWA	Date	12/08/2025

ROMM_CONVECT_DDM_1400_9_1-1400X9X365

Colour

04.69=PB-E1 4'X8'T LAMINATE WILMIKA TEXT NO. W3125-16
04.691=ALVIC LUMAX-SPP/4'X10'X18MM.-BLANCO SUPPERMATT(LX8
05.01=ML WHITE VM1012 18/18

Edge

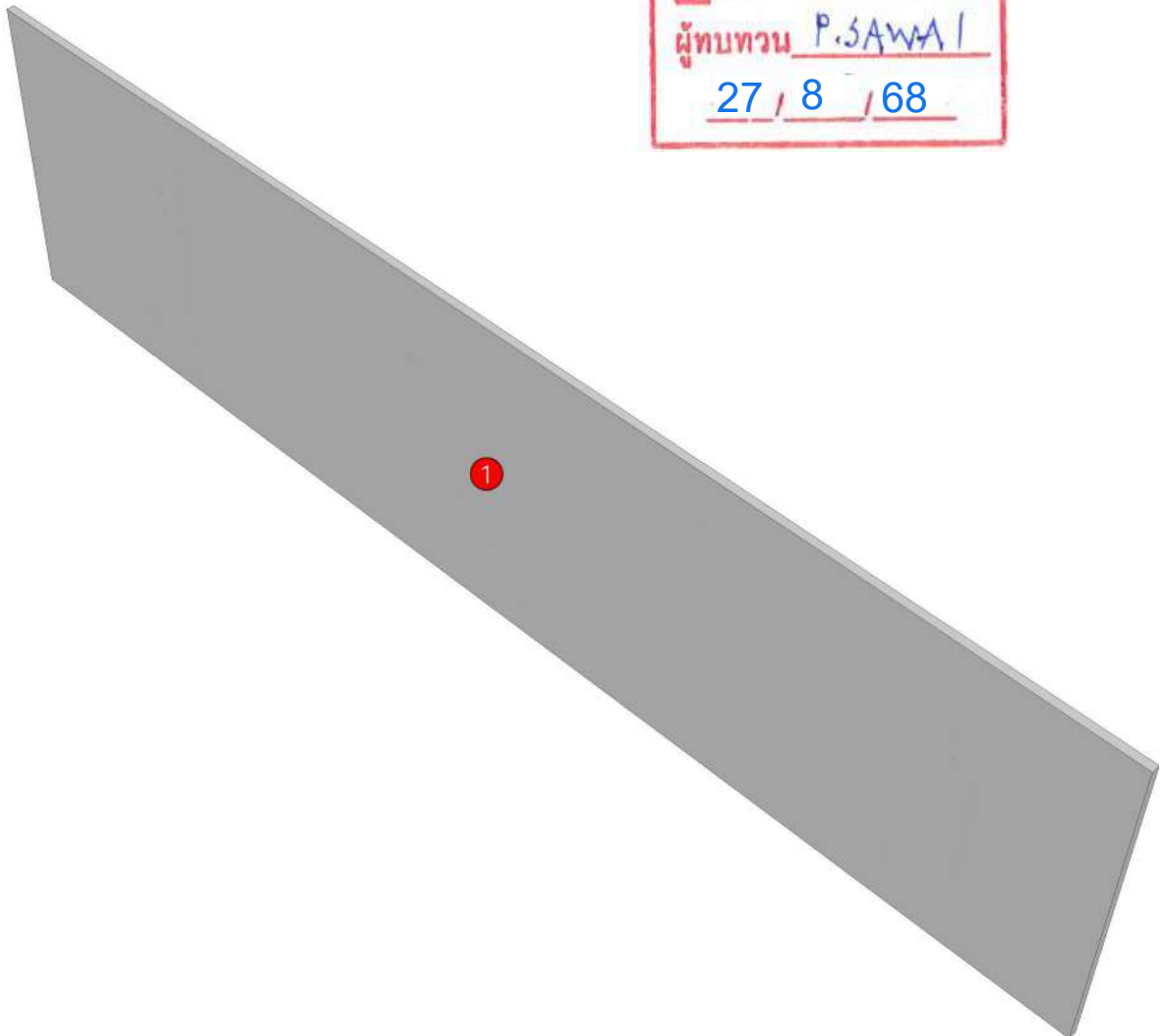
01.405=1 DWK3125AT
01.47=1 WHITE

K3R 160161323

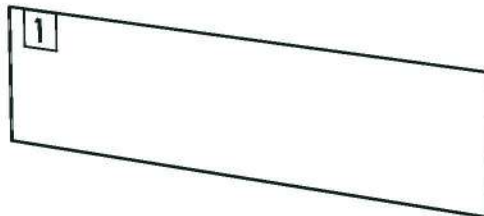
K13L 160161368

K18R 160161391

R&D REVIEW	
<input checked="" type="checkbox"/>	DWG.Customer
<input type="checkbox"/>	Work Report
<input type="checkbox"/>	Function
<input type="checkbox"/>	สินค้าตรงตัวอย่าง
ผู้ทบทวน <u>P.SAWA</u>	
<u>27 / 8 / 68</u>	



Model	-ROMM_CONVECT_DDM_1400_9_1		
Creator	SUTTHI.P	.BCP Name	INDEX_C3D_KITCHENPAE
Reviewer		Order	0002737
Approves	P. SAWA	Date	12/08/2025



Model	ROMM_CONVECT_DDM_900_1		
Creator	SUTTHI.P	.BCP Name	INDEX_C3D_KITCHENPAE
Reviewer		Order	O002604
Approves	P. SAWA	Date	09/07/2025

ROMM_CONVECT_DDM_900_1-900X18X135

Colour

04.69=PB-E1 4'X8'T LAMINATE WILMIKA TEXT NO. W3125-16
04.691=ALVIC LUMAX-SPP/4'X10'X18MM.-BLANCO SUPPERMATT(LX8)

Edge

01.405=1 DWK3125AT
01.4051=1 WHITE 01016

K3R 160161323

K13L 160161368

K15R 160152736

R&D REVIEW	
<input checked="" type="checkbox"/>	DWG.Customer
<input type="checkbox"/>	Work Report
<input type="checkbox"/>	Function
<input type="checkbox"/>	สินค้าตรงตัวอย่าง
ผู้ทบทวน <u>P.SAWA</u>	
<u>5</u> / <u>8</u> / <u>68</u>	



Model	-ROMM_CONVECT_DDM_900_1		
Creator	SUTTHI.P	.BCP Name	INDEX_C3D_KITCHENPAE
Reviewer		Order	0002604
Approves	P. SAWA	Date	09/07/2025



Model	ROMM_CONVECT_DDM_1150_1		
Creator	SUTTHI.P	.BCP Name	INDEX_C3D_KITCHENPAE
Reviewer		Order	0002570
Approves	P.SAWA	Date	12/06/2025

ROMM_CONVECT_DDM_1150_1-1150X18X135

Colour

04.69=PB-E1 4'X8'T LAMINATE WILMIKA TEXT NO. W3125-16
04.691=ALVIC LUMAX-SPP/4'X10'X18MM.-BLANCO SUPPERMATT(LX8)

Edge

01.405=1 DWK3125AT
01.4051=1 WHITE 01016

K11L 160152691

K13L 160161368

R&D REVIEW	
<input checked="" type="checkbox"/>	DWG.Customer
<input type="checkbox"/>	Work Report
<input type="checkbox"/>	Function
<input type="checkbox"/>	สินค้าตรงตัวอย่าง
ผู้ทบทวน <u>P.SAWA</u>	
<u>5</u>	<u>8</u> / <u>68</u>



Model	-ROMM_CONVECT_DDM_1150_1		
Creator	SUTTHI.P	.BCP Name	INDEX_C3D_KITCHENPAE
Reviewer		Order	0002570
Approves	<i>P. SAWA</i>	Date	12/06/2025



Model	ROMM_CONVECT_DEP_2120K13_1		
Creator	SUTTHI.P	.BCP Name	INDEX_C3D_KITCHENPAE
Reviewer		Order	0002757
Approves	<i>P.SAWA</i>	Date	13/08/2025

ROMM_CONVECT_DEP_2120K13_1-2120X18X860

Colour

04.69=PB-E1 4'X8'T LAMINATE WILMIKA TEXT NO. W3125-16
04.691=ALVIC LUMAX-SPP/4'X10'X18MM.-BLANCO SUPPERMATT(LX8)

Edge

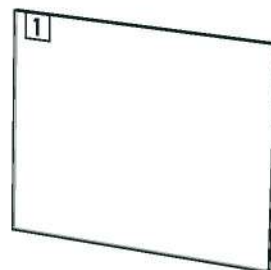
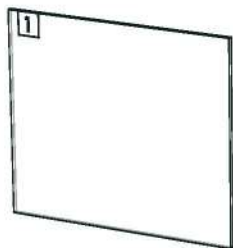
01.405=1 DWK3125AT
01.47=1 WHITE

K13L 160161368

R&D REVIEW	
<input checked="" type="checkbox"/>	DWG.Customer
<input type="checkbox"/>	Work Report
<input type="checkbox"/>	Function
<input type="checkbox"/>	สินค้าตรงตัวอย่าง
ผู้ทบทวน <u>P.SAWA</u>	
<u>28 / 8 / 68</u>	



Model	-ROMM_CONVECT_DEP_2120K13_1		
Creator	SUTTHI.P	.BCP Name	INDEX_C3D_KITCHENPAE
Reviewer		Order	0002757
Approves	<i>P. SAWA</i>	Date	13/08/2025



Model	ROMM_CONVECT_DEP_800I_1		
Creator	SUTTHI.P	.BCP Name	INDEX_C3D_KITCHENPAE
Reviewer		Order	O002759
Approves	<i>P.SAWA</i>	Date	13/08/2025

ROMM_CONVECT_DEP_800I_1-800X12X860

Colour

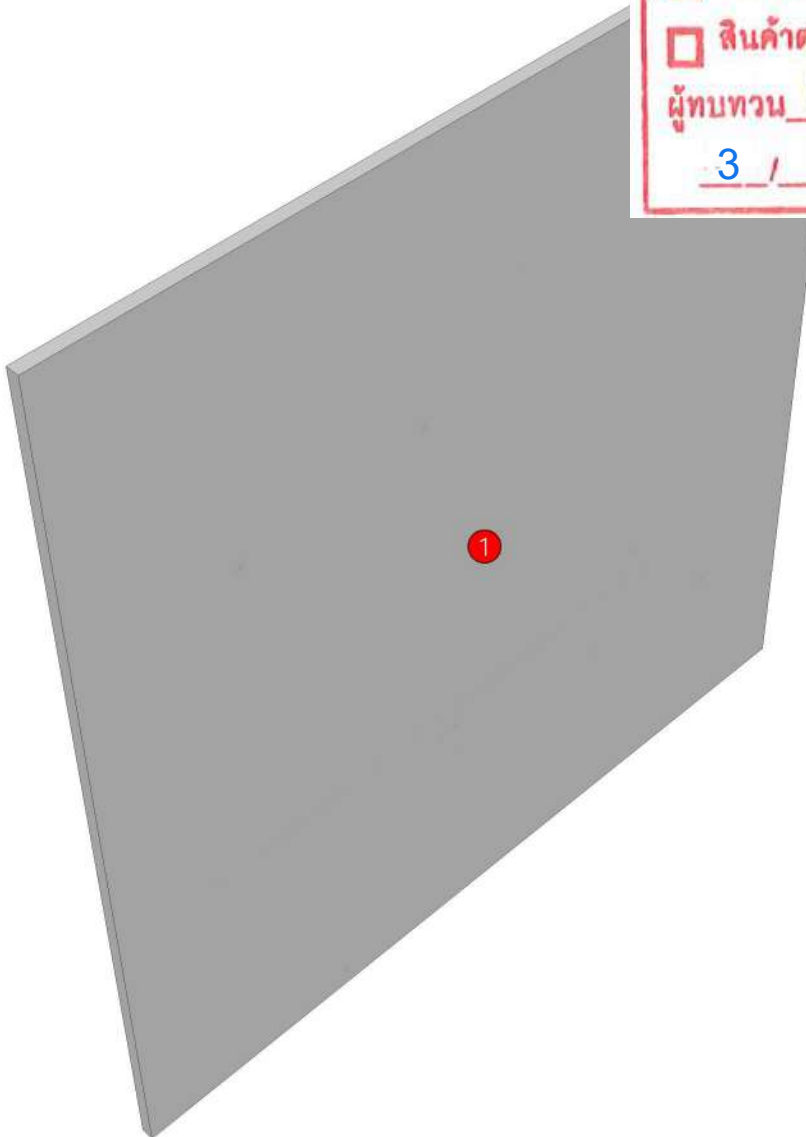
04.69=PB-E1 4'X8'T LAMINATE WILMIKA TEXT NO. W3125-16
04.691=ALVIC LUMAX-SPP/4'X10'X18MM.-BLANCO SUPPERMATT(LX8
05.01=ML WHITE VM1012 18/18

Edge

01.405=1 DWK3125AT
01.4051=1 WHITE 01016
01.47=1 WHITE

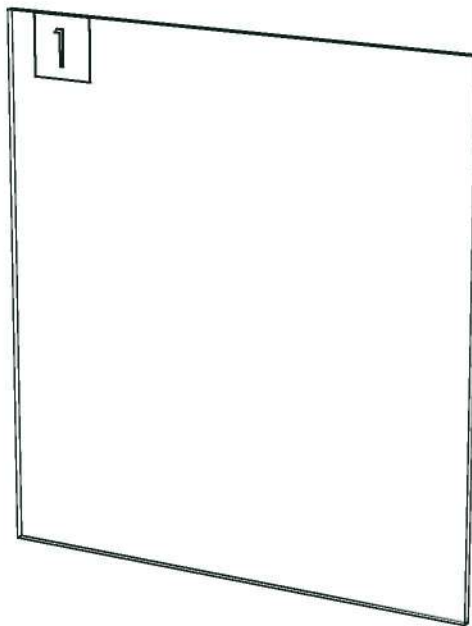
K10R 160161347

K13L 160161368



R&D REVIEW	
<input checked="" type="checkbox"/>	DWG.Customer
<input type="checkbox"/>	Work Report
<input type="checkbox"/>	Function
<input type="checkbox"/>	สินค้าตรงตัวอย่าง
ผู้ทบทวน <u>P.SAWA</u>	
<u>3 / 9 / 68</u>	

Model	-ROMM_CONVECT_DEP_800I_1		
Creator	SUTTHI.P	.BCP Name	INDEX_C3D_KITCHENPAE
Reviewer		Order	0002759
Approves	P. SAWA	Date	13/08/2025



Model	ROMM_CONVECT_DFB_1		
Creator	SUTTHI.P	.BCP Name	INDEX_C3D_KITCHENPAE
Reviewer		Order	O002614
Approves	<i>P.SAWA</i>	Date	09/07/2025

ROMM_CONVECT_DFB_1-150X18X730

Colour

04.69=PB-E1 4'X8'T LAMINATE WILMIKA TEXT NO. W3125-16
04.691=ALVIC LUMAX-SPP/4'X10'X18MM.-BLANCO SUPPERMATT(LX8
05.01=ML WHITE VM1012 18/18

Edge

01.405=1 DWK3125AT
01.4051=1 WHITE 01016
01.47=1 WHITE

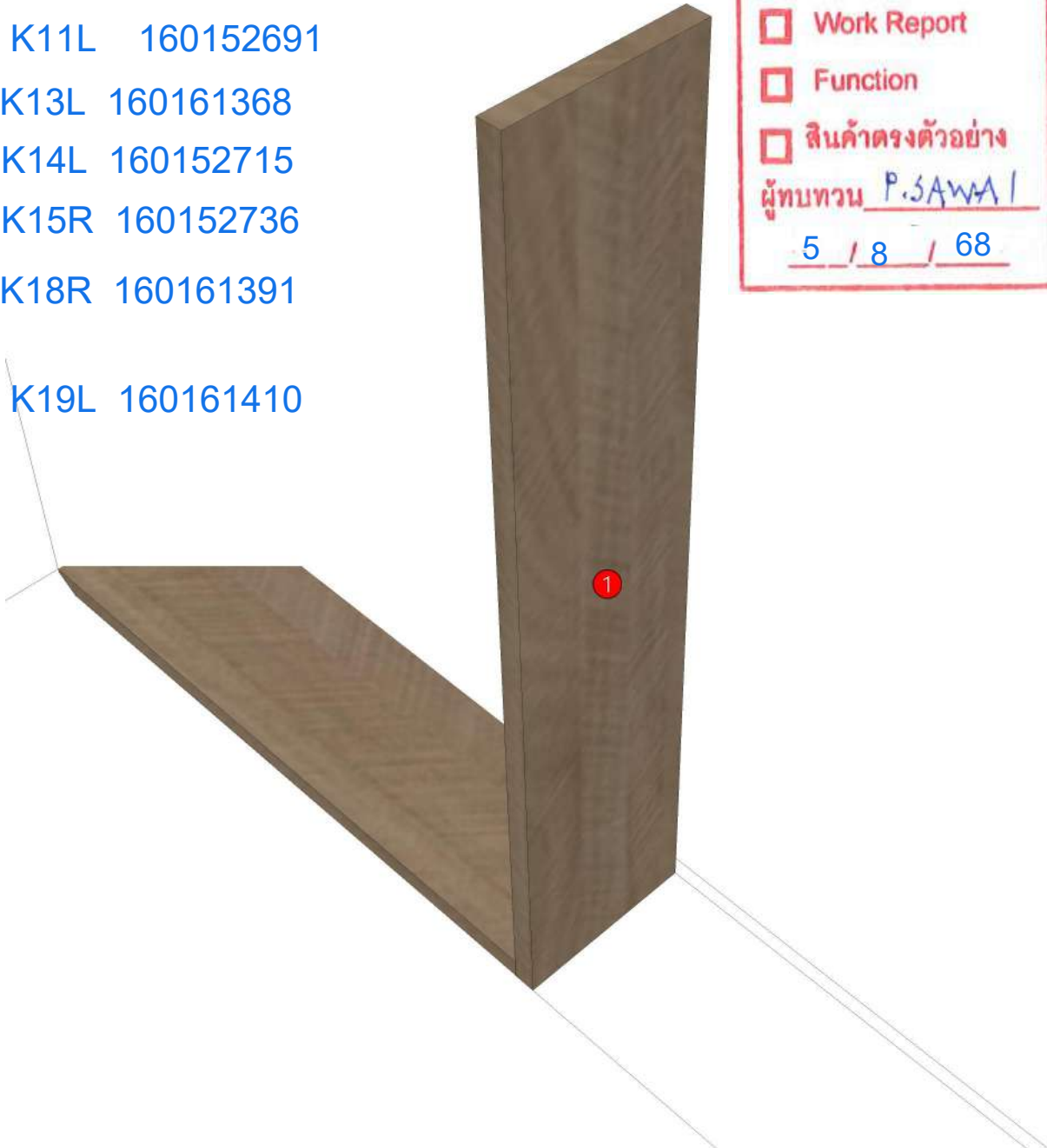
- K2R 160160436
- K3R 160161323
- K11L 160152691
- K13L 160161368
- K14L 160152715
- K15R 160152736
- K18R 160161391
- K19L 160161410

R&D REVIEW

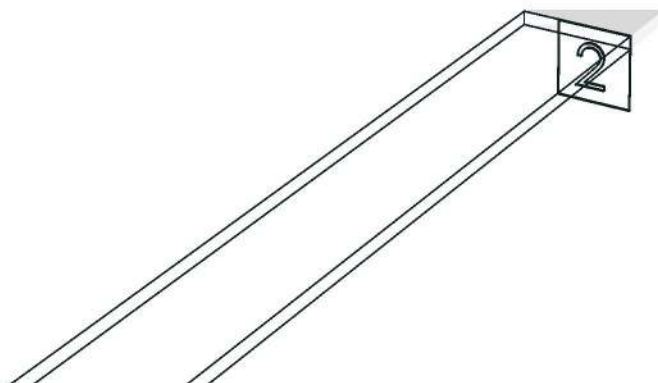
- DWG.Customer
- Work Report
- Function
- สินค้าตรงตัวอย่าง

ผู้ทบทวน P.SAWA

5 / 8 / 68



Model	-ROMM_CONVECT_DFB_1		
Creator	SUTTHI.P	.BCP Name	INDEX_C3D_KITCHENPAE
Reviewer		Order	0002614
Approves	<i>P. SAWA</i>	Date	09/07/2025



Model	ROMM_CONVECT_DFCL_1200_1		
Creator	SUTTHI.P	.BCP Name	INDEX_C3D_KITCHENPAE
Reviewer		Order	0002760
Approves	P. SAWA	Date	13/08/2025

ROMM_CONVECT_DFCL_1200_1-1200X9X100

Colour

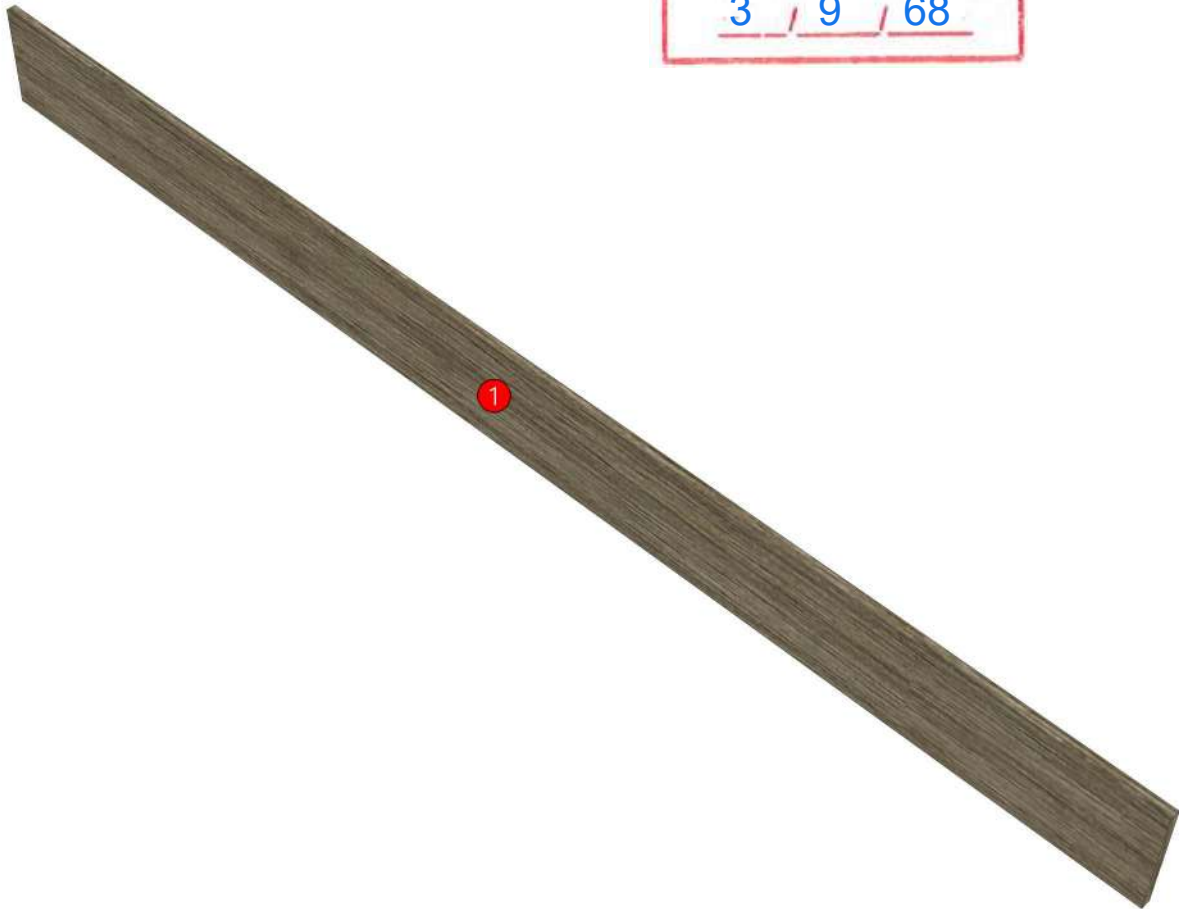
04.69=PB-E1 4'X8'T LAMINATE WILMIKA TEXT NO. W3125-16
04.691=ALVIC LUMAX-SPP/4'X10'X18MM.-BLANCO SUPPERMATT(LX8)

Edge

01.405=1 DWK3125AT
01.47=1 WHITE

K13L 160161368

R&D REVIEW	
<input checked="" type="checkbox"/>	DWG.Customer
<input type="checkbox"/>	Work Report
<input type="checkbox"/>	Function
<input type="checkbox"/>	สินค้าตรงตัวอย่าง
ผู้ทบทวน <u>P.SAWA</u>	
<u>3 / 9 / 68</u>	



Model	-ROMM_CONVECT_DFCL_1200_1		
Creator	SUTTHI.P	.BCP Name	INDEX_C3D_KITCHENPAE
Reviewer		Order	0002760
Approves	P. SAWA	Date	13/08/2025



Model	ROMM_CONVECT_DFCL_1750_1		
Creator	SUTTHI.P	.BCP Name	INDEX_C3D_KITCHENPAE
Reviewer		Order	0002761
Approves	P.SAWA	Date	13/08/2025

ROMM_CONVECT_DFCL_1750_1-1750X9X100

Colour

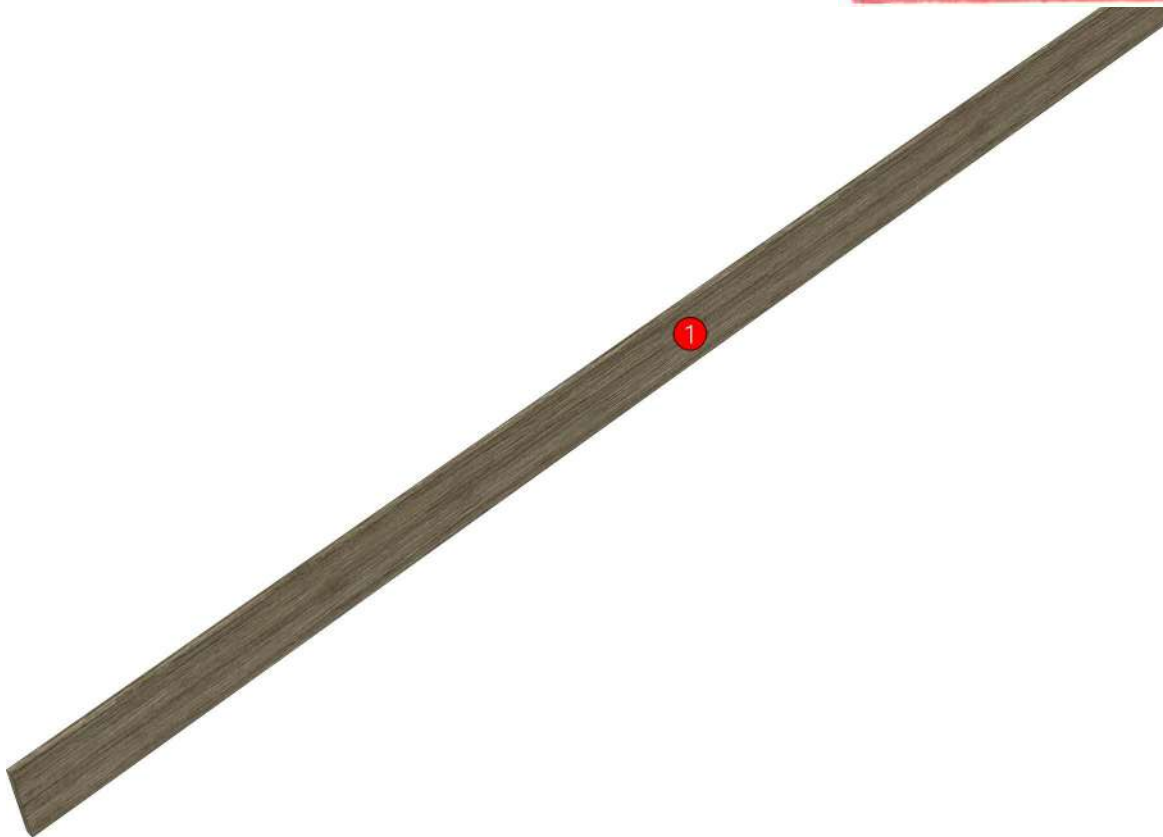
04.69=PB-E1 4'X8'T LAMINATE WILMIKA TEXT NO. W3125-16
04.691=ALVIC LUMAX-SPP/4'X10'X18MM.-BLANCO SUPPERMATT(LX8)

Edge

01.405=1 DWK3125AT
01.47=1 WHITE

K13L 160161368

R&D REVIEW	
<input checked="" type="checkbox"/>	DWG.Customer
<input type="checkbox"/>	Work Report
<input type="checkbox"/>	Function
<input type="checkbox"/>	สินค้าตรงตัวอย่าง
ผู้ทบทวน <u>P.SAWA</u>	
<u>9 / 9 / 68</u>	



Model	-ROMM_CONVECT_DFCL_1750_1		
Creator	SUTTHI.P	.BCP Name	INDEX_C3D_KITCHENPAE
Reviewer		Order	0002761
Approves	<i>P. SAWA</i>	Date	13/08/2025



Model	ROMM_CONVECT_DFCL_330_1		
Creator	SUTTHI.P	.BCP Name	INDEX_C3D_KITCHENPAE
Reviewer		Order	0002624
Approves	<i>P. SAWA</i>	Date	09/07/2025

ROMM_CONVECT_DFCL_330_1-330X9X100

Colour

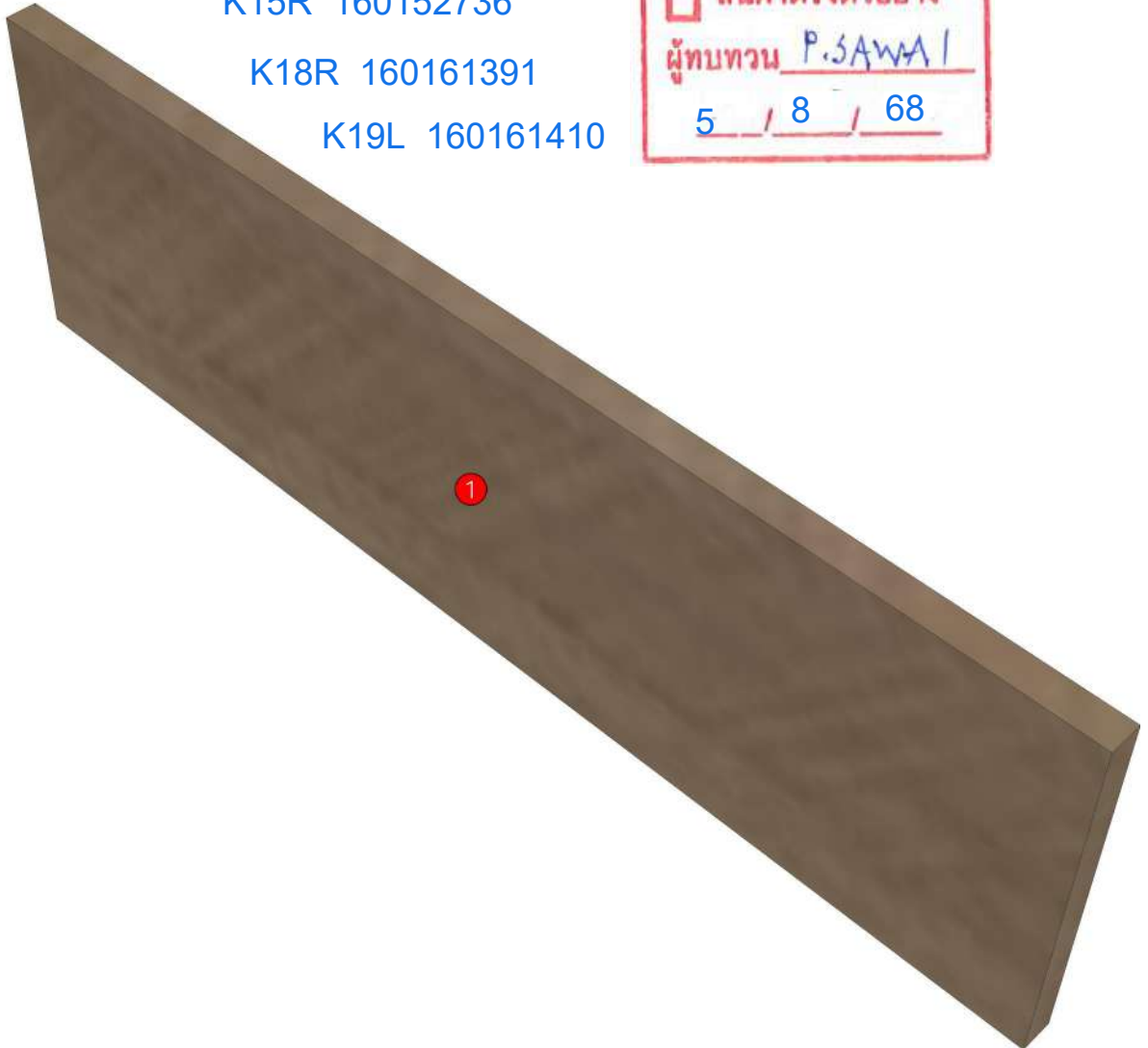
04.69=PB-E1 4'X8'T LAMINATE WILMIKA TEXT NO. W3125-16
04.691=ALVIC LUMAX-SPP/4'X10'X18MM.-BLANCO SUPPERMATT(LX8)

Edge

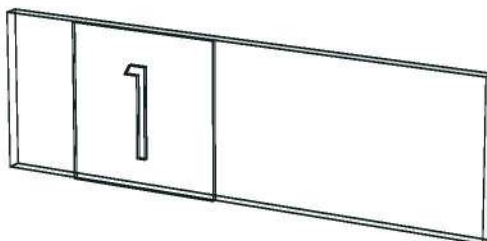
01.405=1 DWK3125AT
01.4051=1 WHITE 01016

K1R 160160423 K6L 160160455
K3R 160161323 K10R 160161347
K4L 160166148 K13L 160161368
K5R 160152669 K14L 160152715
K15R 160152736
K18R 160161391
K19L 160161410

R&D REVIEW	
<input checked="" type="checkbox"/>	DWG.Customer
<input type="checkbox"/>	Work Report
<input type="checkbox"/>	Function
<input type="checkbox"/>	สินค้าตรงตัวอย่าง
ผู้ทบทวน <u>P.SAWA</u>	
5 / 8 / 68	



Model	-ROMM_CONVECT_DFCL_330_1		
Creator	SUTTHI.P	.BCP Name	INDEX_C3D_KITCHENPAE
Reviewer		Order	0002624
Approves	<i>P. SAWA</i>	Date	09/07/2025



Model	ROMM_CONVECT_DFCL_600_1		
Creator	SUTTHI.P	.BCP Name	INDEX_C3D_KITCHENPAE
Reviewer		Order	0002765
Approves	P. SAWA	Date	13/08/2025

ROMM_CONVECT_DFCL_600_1-600X9X100

Colour

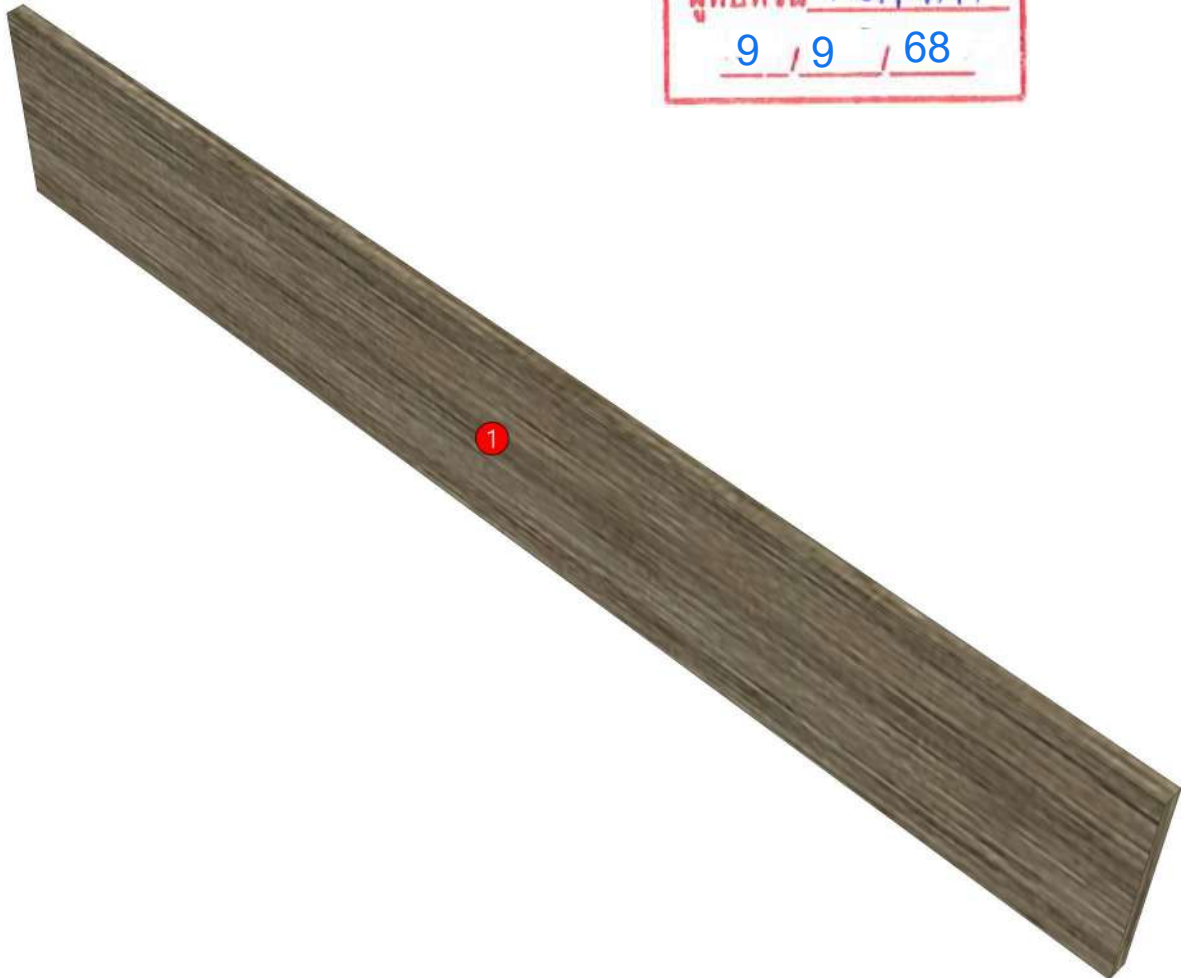
04.69=PB-E1 4'X8'T LAMINATE WILMIKA TEXT NO. W3125-16
04.691=ALVIC LUMAX-SPP/4'X10'X18MM.-BLANCO SUPPERMATT(LX8)

Edge

01.405=1 DWK3125AT
01.47=1 WHITE

K13L 160161368

R&D REVIEW	
<input checked="" type="checkbox"/>	DWG.Customer
<input type="checkbox"/>	Work Report
<input type="checkbox"/>	Function
<input type="checkbox"/>	สินค้าตรงตัวอย่าง
ผู้ทบทวน <u>P.SAWA</u>	
<u>9</u> / <u>9</u> / <u>68</u>	



Model	-ROMM_CONVECT_DFCL_600_1		
Creator	SUTTHI.P	.BCP Name	INDEX_C3D_KITCHENPAE
Reviewer		Order	0002765
Approves	<i>P. SAWA</i>	Date	13/08/2025



Model	ROMM_CONVECT_DFCL_650_1		
Creator	SUTTHI.P	.BCP Name	INDEX_C3D_KITCHENPAE
Reviewer		Order	0002766
Approves	P. SAWA	Date	13/08/2025

ROMM_CONVECT_DFCL_650_1-650X9X100

Colour

04.69=PB-E1 4'X8'T LAMINATE WILMIKA TEXT NO. W3125-16
04.691=ALVIC LUMAX-SPP/4'X10'X18MM.-BLANCO SUPPERMATT(LX8)

Edge

01.405=1 DWK3125AT
01.47=1 WHITE

K13L 160161368

R&D REVIEW	
<input checked="" type="checkbox"/>	DWG.Customer
<input type="checkbox"/>	Work Report
<input type="checkbox"/>	Function
<input type="checkbox"/>	สินค้าตรงตัวอย่าง
ผู้ทบทวน <u>P.SAWA</u>	
<u>9</u> / <u>9</u> / <u>68</u>	



Model	-ROMM_CONVECT_DFCL_650_1		
Creator	SUTTHI.P	.BCP Name	INDEX_C3D_KITCHENPAE
Reviewer		Order	0002766
Approves	P. SAWA	Date	13/08/2025



Model	ROMM_CONVECT_DFCL_900_1		
Creator	SUTTHI.P	.BCP Name	INDEX_C3D_KITCHENPAE
Reviewer		Order	0002767
Approves	P.SAWA	Date	13/08/2025

ROMM_CONVECT_DFCL_900_1-900X9X100

Colour

04.69=PB-E1 4'X8'T LAMINATE WILMIKA TEXT NO. W3125-16
04.691=ALVIC LUMAX-SPP/4'X10'X18MM.-BLANCO SUPPERMATT(LX8)

Edge

01.405=1 DWK3125AT
01.47=1 WHITE

K13L 160161368

R&D REVIEW	
<input checked="" type="checkbox"/>	DWG.Customer
<input type="checkbox"/>	Work Report
<input type="checkbox"/>	Function
<input type="checkbox"/>	สินค้าตรงตัวอย่าง
ผู้ทบทวน <u>P.SAWA</u>	
<u>9 / 9 / 68</u>	



Model	-ROMM_CONVECT_DFCL_900_1		
Creator	SUTTHI.P	.BCP Name	INDEX_C3D_KITCHENPAE
Reviewer		Order	0002767
Approves	P. SAWA	Date	13/08/2025



Model	ROMM_CONVECT_DFLR_1010_1		
Creator	SUTTHI.P	.BCP Name	INDEX_C3D_KITCHENPAE
Reviewer		Order	0002768
Approves	<i>P. SAWA</i>	Date	13/08/2025

ROMM_CONVECT_DFLR_1010_1-1010X310X18

Colour

04.69=PB-E1 4'X8'T LAMINATE WILMIKA TEXT NO. W3125-16
04.691=ALVIC LUMAX-SPP/4'X10'X18MM.-BLANCO SUPPERMATT(LX8)

Edge

01.405=1 DWK3125AT
01.47=1 WHITE

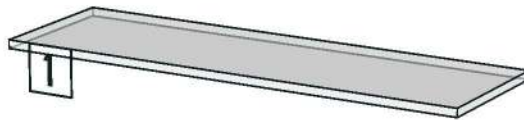
K10R 160161347

K13L 160161368

R&D REVIEW	
<input checked="" type="checkbox"/>	DWG.Customer
<input type="checkbox"/>	Work Report
<input type="checkbox"/>	Function
<input type="checkbox"/>	สินค้าตรงตัวอย่าง
ผู้ทบทวน <u>P.SAWA</u>	
<u>9</u> / <u>9</u> / <u>68</u>	



Model	-ROMM_CONVECT_DFLR_1010_1		
Creator	SUTTHI.P	.BCP Name	INDEX_C3D_KITCHENPAE
Reviewer		Order	0002768
Approves	<i>P. SAWA</i>	Date	13/08/2025



Model	ROMM_CONVECT_DFL_1		
Creator	SUTTHI.P	.BCP Name	INDEX_C3D_KITCHENPAE
Reviewer		Order	O002629
Approves	<i>P. SAWA</i>	Date	09/07/2025

ROMM_CONVECT_DFL_1-150X18X800

Colour

04.69=PB-E1 4'X8'T LAMINATE WILMIKA TEXT NO. W3125-16
04.691=ALVIC LUMAX-SPP/4'X10'X18MM.-BLANCO SUPPERMATT(LX8
05.01=ML WHITE VM1012 18/18

Edge

01.405=1 DWK3125AT
01.4051=1 WHITE 01016
01.47=1 WHITE

K1R 160160423

K2R 160160436

K3R 160161323

K4L 160166148

K6L 160160455

K10R 160161347

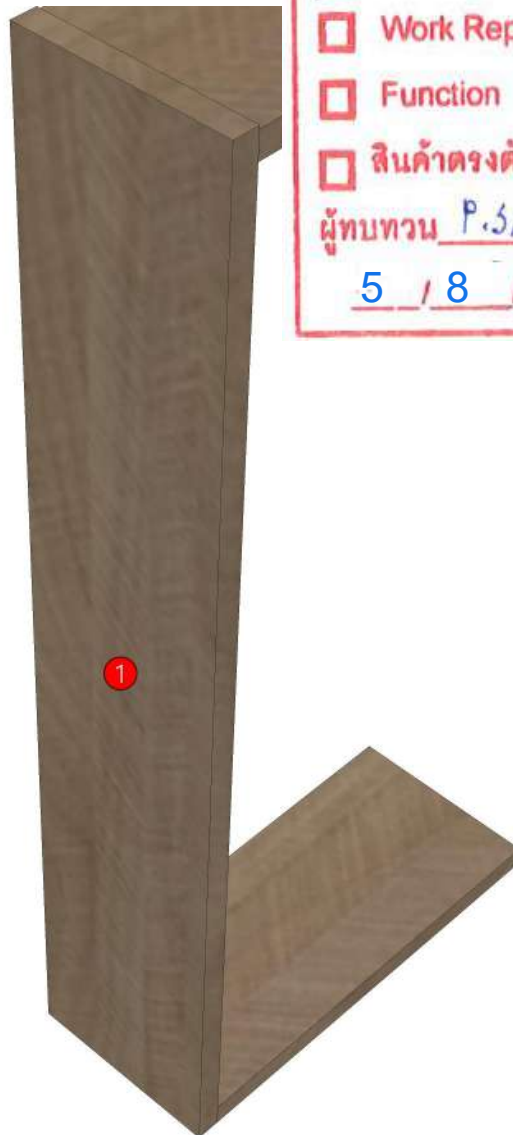
K11L 160152691

K13L 160161368

K15R 160152736

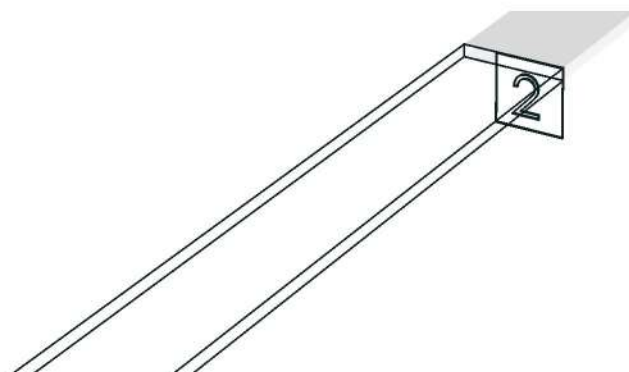
K18R 160161391

K19L 160161410



R&D REVIEW	
<input checked="" type="checkbox"/>	DWG.Customer
<input type="checkbox"/>	Work Report
<input type="checkbox"/>	Function
<input type="checkbox"/>	สินค้าตรงตัวอย่าง
ผู้ทบทวน <u>P.SAWA</u>	
<u>5 / 8 / 68</u>	

Model	-ROMM_CONVECT_DFL_1		
Creator	SUTTHI.P	.BCP Name	INDEX_C3D_KITCHENPAE
Reviewer		Order	0002629
Approves	<i>P. SAWA</i>	Date	09/07/2025



Model	ROMM_CONVECT_DL105_1		
Creator	SUTTHI.P	.BCP Name	INDEX_C3D_KITCHENPAE
Reviewer		Order	O002698
Approves	P.SAWA	Date	07/08/2025

ROMM_CONVECT_DL105_1-1050X330X700

Colour

04.69=PB-E1 4'X8'T LAMINATE WILMIKA TEXT NO. W3125-16
04.691=ALVIC LUMAX-SPP/4'X10'X18MM.-BLANCO SUPPERMATT(LX8
04.692=PB-E1 4'X9'T. LAMINA WILMIKA TEXT NO. W3125-16
04.693=HPL WILMIKA NO. W3125-16/HPL.TD#9201 PL

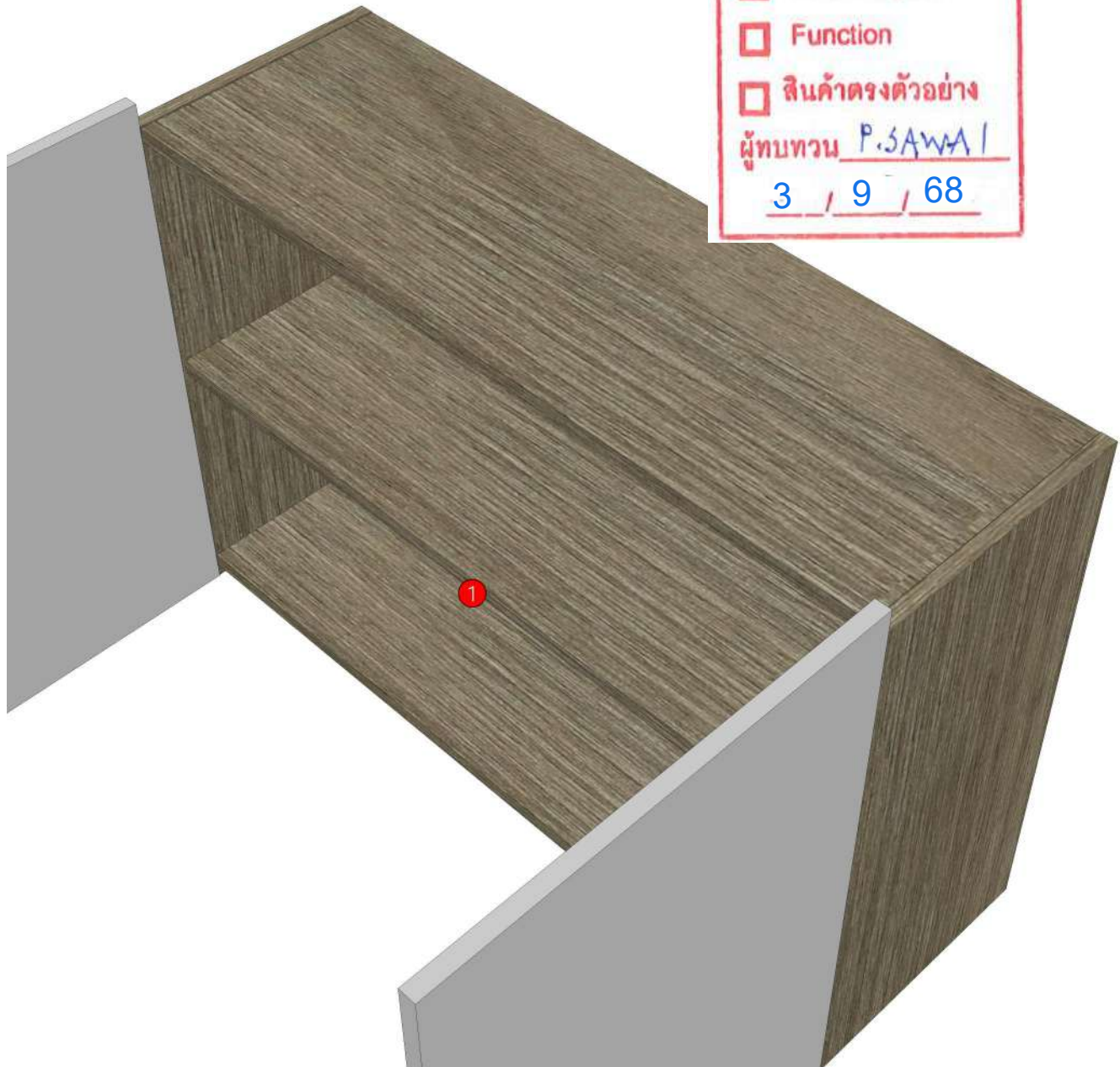
Edge

01.405=1 DWK3125AT
01.47=1 WHITE

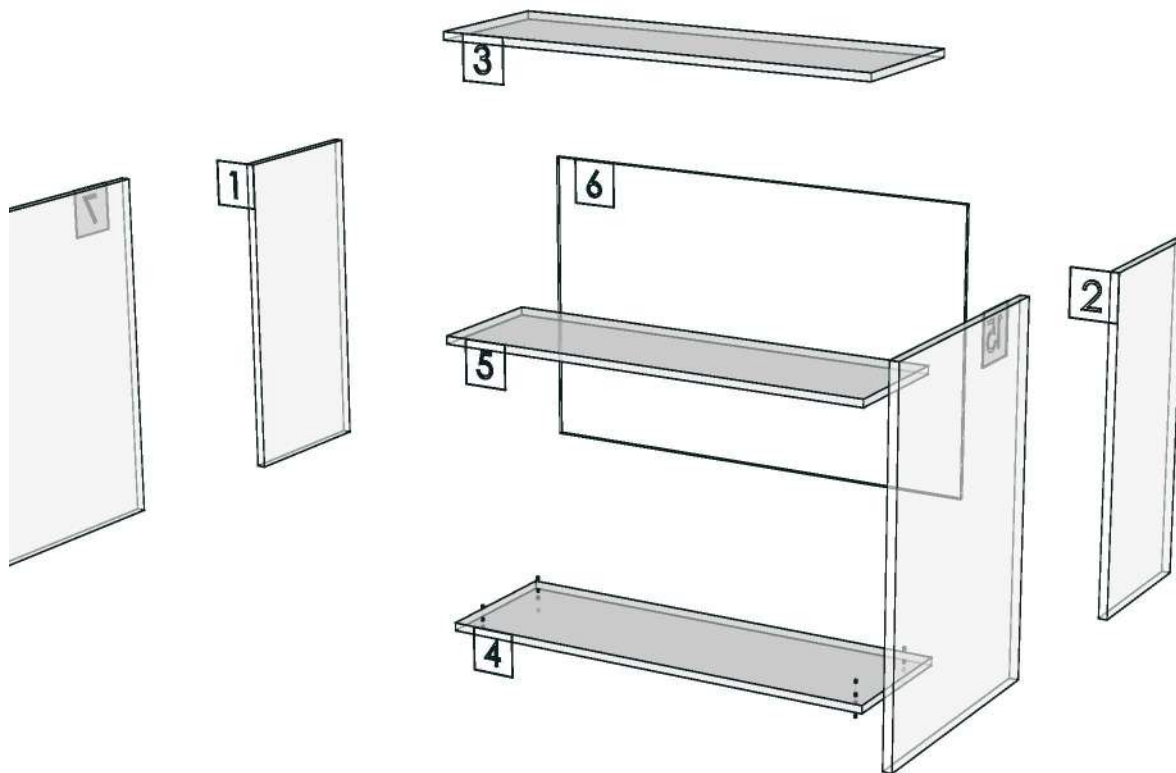
K10R 160161347

K13L 160161368

R&D REVIEW	
<input checked="" type="checkbox"/>	DWG.Customer
<input type="checkbox"/>	Work Report
<input type="checkbox"/>	Function
<input type="checkbox"/>	สินค้าตรงตัวอย่าง
ผู้ทบทวน <u>P.SAWA</u>	
<u>3 / 9 / 68</u>	



Model	-ROMM_CONVECT_DL105_1		
Creator	SUTTHI.P	.BCP Name	INDEX_C3D_KITCHENPAE
Reviewer		Order	0002698
Approves	<i>P. SAWA</i>	Date	07/08/2025



Model	ROMM_CONVECT_DL545LL_1		
Creator	SUTTHI.P	.BCP Name	INDEX_C3D_KITCHENPAE
Reviewer		Order	O002704
Approves	<i>P. SAWA</i>	Date	08/08/2025

ROMM_CONVECT_DL545LL_1-545X330X700

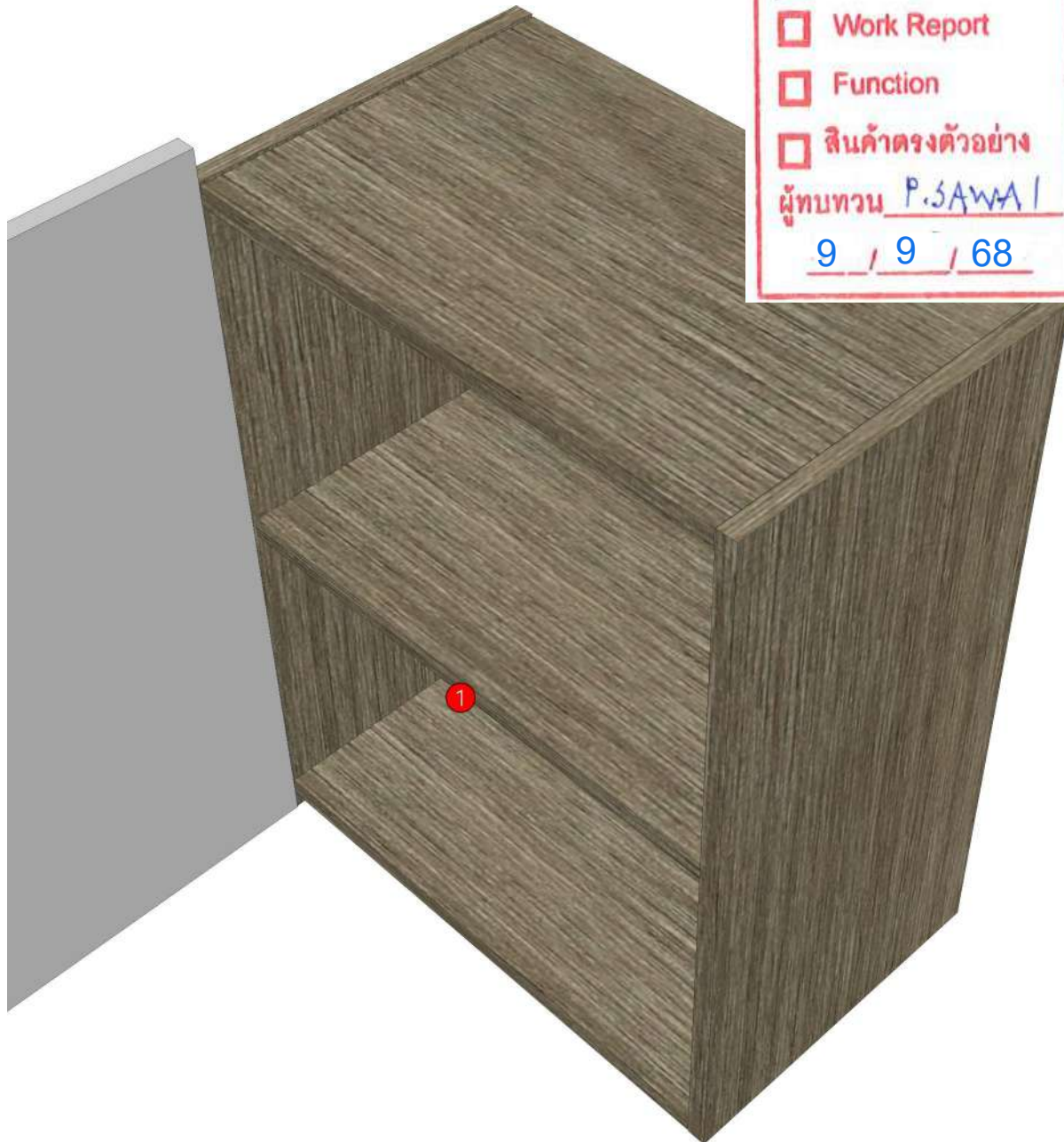
Colour

04.69=PB-E1 4'X8'T LAMINATE WILMIKA TEXT NO. W3125-16
04.691=ALVIC LUMAX-SPP/4'X10'X18MM.-BLANCO SUPPERMATT(LX8
04.692=PB-E1 4'X9'T. LAMINA WILMIKA TEXT NO. W3125-16
04.693=HPL WILMIKA NO. W3125-16/HPL.TD#9201 PL
05.01=ML WHITE VM1012 18/18

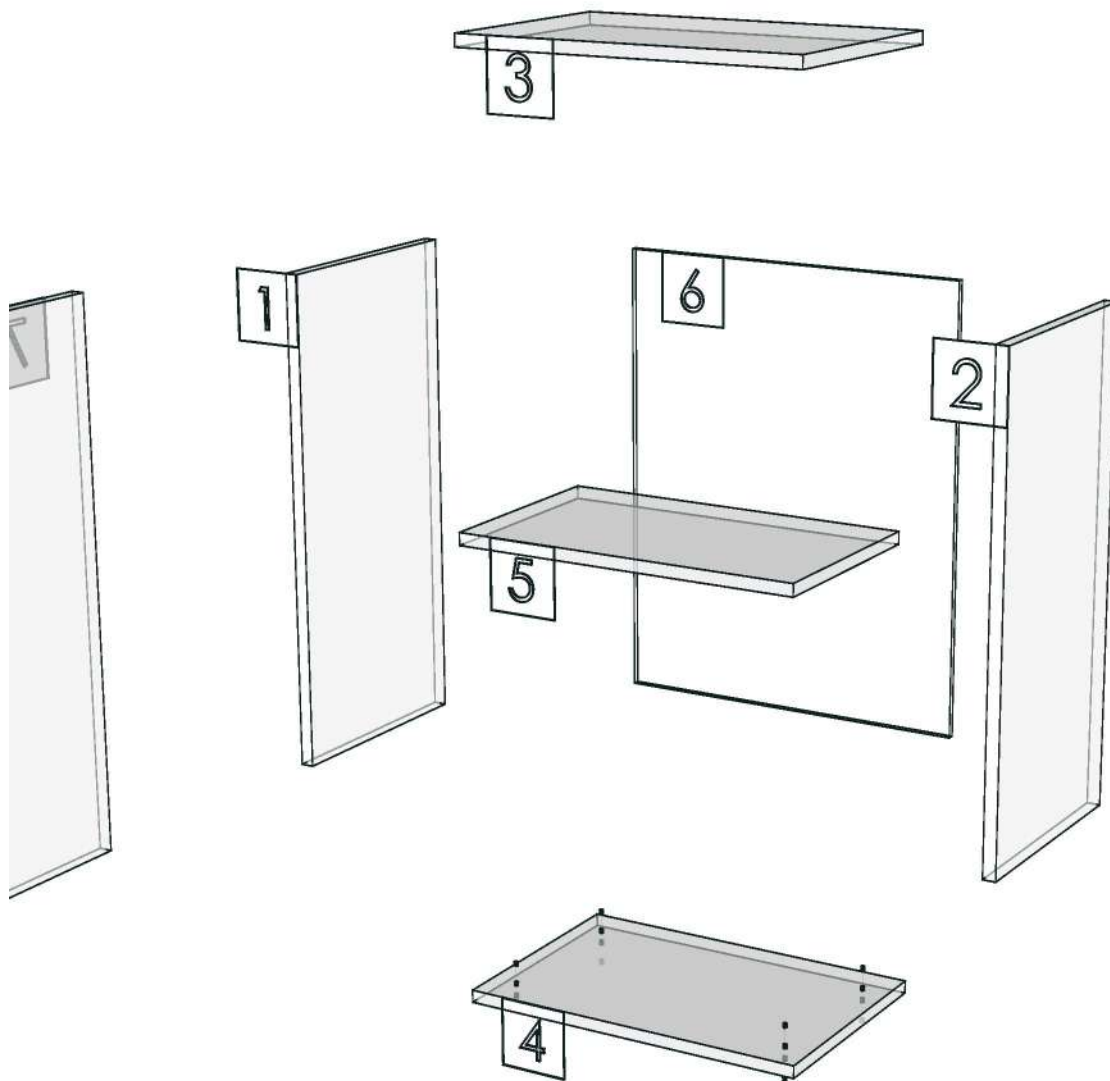
Edge

01.405=1 DWK3125AT
01.47=1 WHITE

K13L 160161368



Model	-ROMM_CONVECT_DL545LL_1		
Creator	SUTTHI.P	.BCP Name	INDEX_C3D_KITCHENPAE
Reviewer		Order	O002704
Approves	<i>P. SAWA</i>	Date	08/08/2025



Model	ROMM_CONVECT_DL605L_1		
Creator	SUTTHI.P	.BCP Name	INDEX_C3D_KITCHENPAE
Reviewer		Order	O002515
Approves	<i>P.SAWA</i>	Date	09/06/2025

ROMM_CONVECT_DL605L_1-605X330X680

Colour

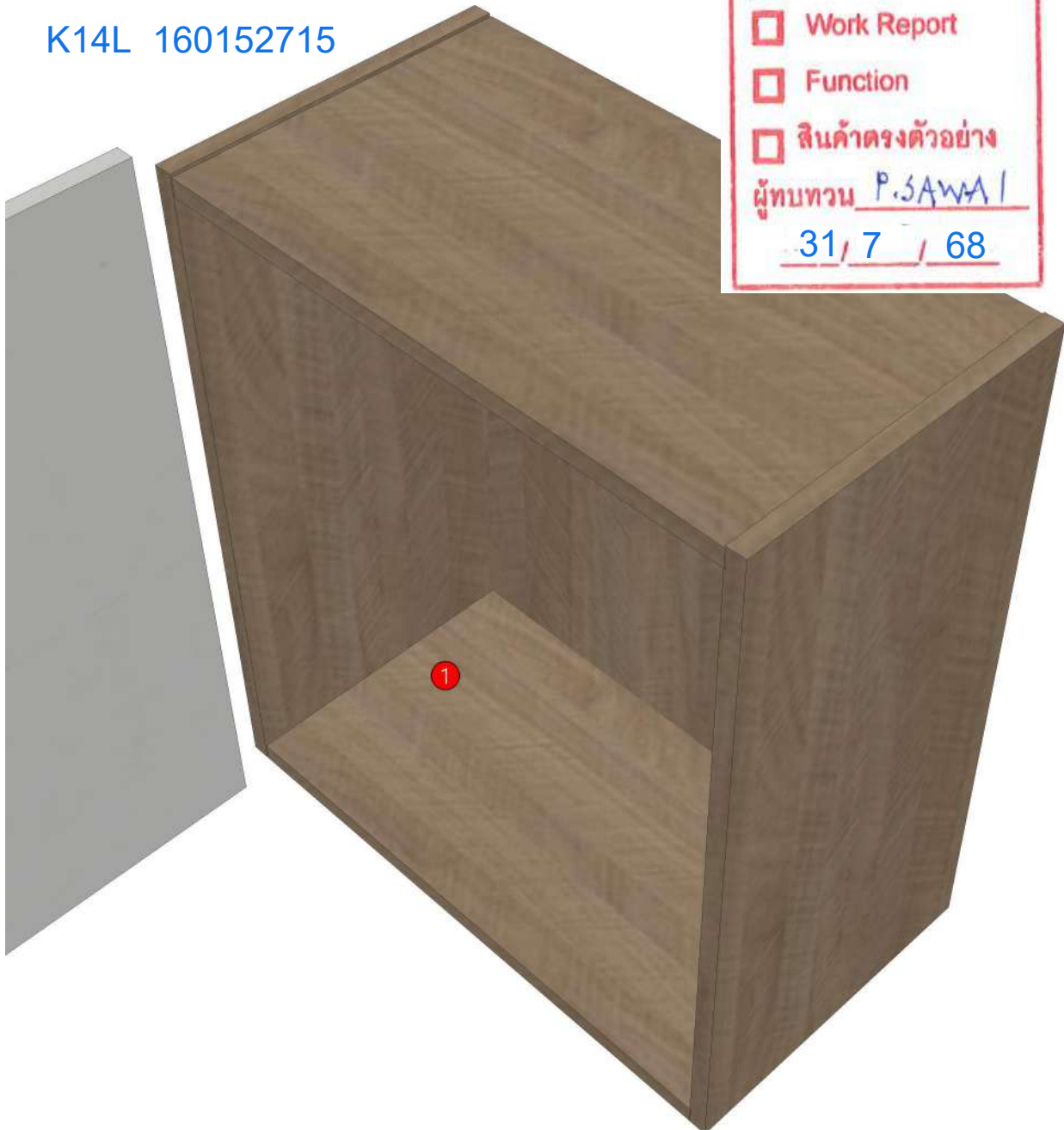
04.69=PB-E1 4'X8'T LAMINATE WILMIKA TEXT NO. W3125-16
04.691=ALVIC LUMAX-SPP/4'X10'X18MM.-BLANCO SUPPERMATT(LX8
04.692=PB-E1 4'X9'T. LAMINA WILMIKA TEXT NO. W3125-16
04.693=HPL WILMIKA NO. W3125-16/HPL.TD#9201 PL

Edge

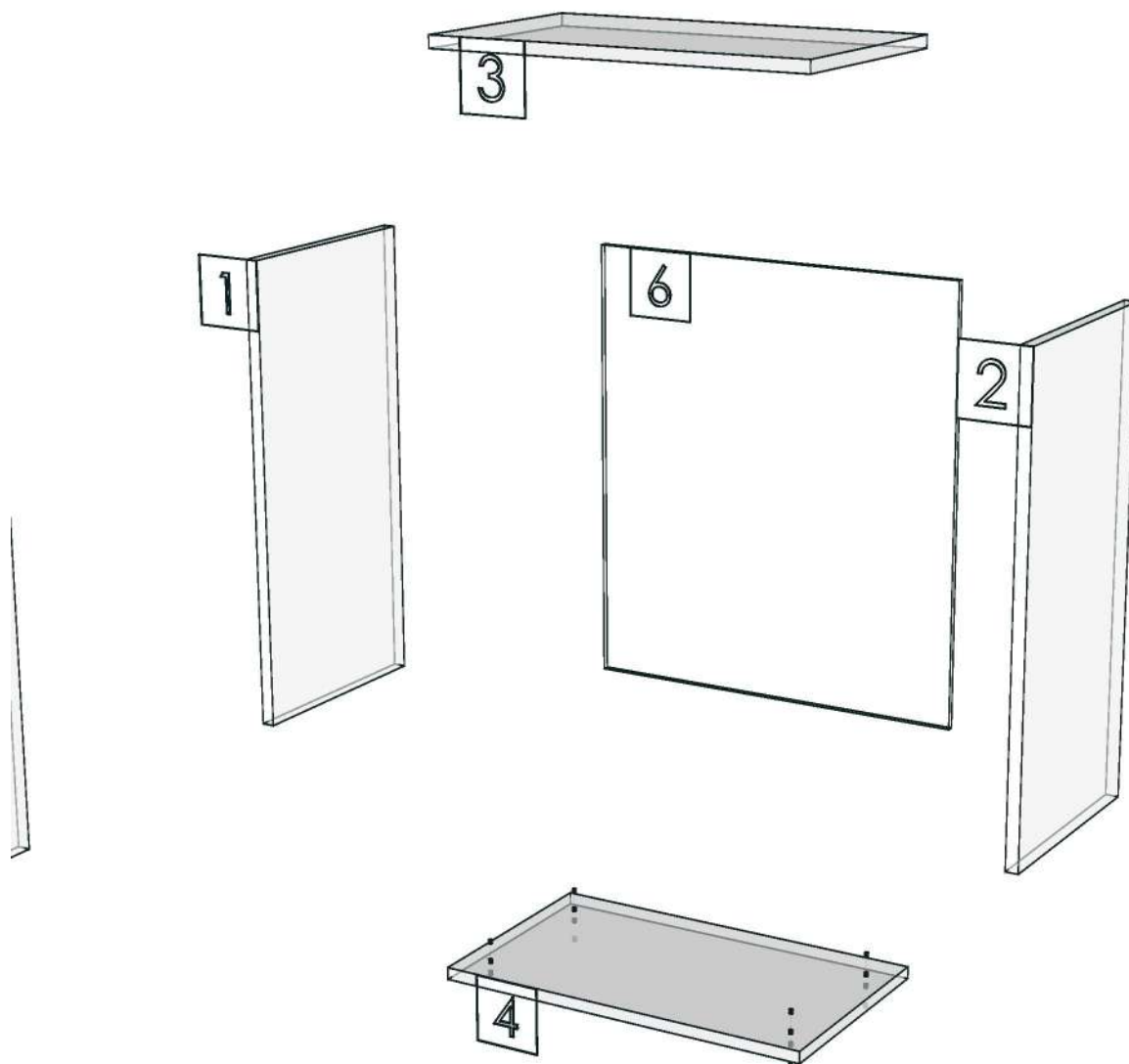
01.405=1 DWK3125AT
01.4051=1 WHITE 01016

K6L 160160455
K13L 160161368
K14L 160152715

R&D REVIEW	
<input checked="" type="checkbox"/>	DWG.Customer
<input type="checkbox"/>	Work Report
<input type="checkbox"/>	Function
<input type="checkbox"/>	สินค้าตรงตัวอย่าง
ผู้ทบทวน <i>P.SAWA</i>	
<i>31 / 7 / 68</i>	



Model	-ROMM_CONVECT_DL605L_1		
Creator	SUTTHI.P	.BCP Name	INDEX_C3D_KITCHENPAE
Reviewer		Order	0002515
Approves	<i>P. SAWA</i>	Date	09/06/2025



Model	ROMM_CONVECT_DL60HL_SR_1		
Creator	SUTTHI.P	.BCP Name	INDEX_C3D_KITCHENPAE
Reviewer		Order	O002511
Approves	<i>P.SAWA</i>	Date	09/06/2025

ROMM_CONVECT_DL60HL_SR_1-600X330X1025

Colour

04.69=PB-E1 4'X8'T LAMINATE WILMIKA TEXT NO. W3125-16
 04.691=ALVIC LUMAX-SPP/4'X10'X18MM.-BLANCO SUPPERMATT(LX8
 04.692=PB-E1 4'X9'T. LAMINA WILMIKA TEXT NO. W3125-16
 04.693=HPL WILMIKA NO. W3125-16/HPL.TD#9201 PL

Edge

01.405=1 DWK3125AT
 01.4051=1 WHITE 01016

K2R 160160436 K15R 160152736
 K3R 160161323 K18R 160161391
 K19L 160161410
 K13L 160161368
 K14L 160152715

R&D REVIEW

DWG.Customer

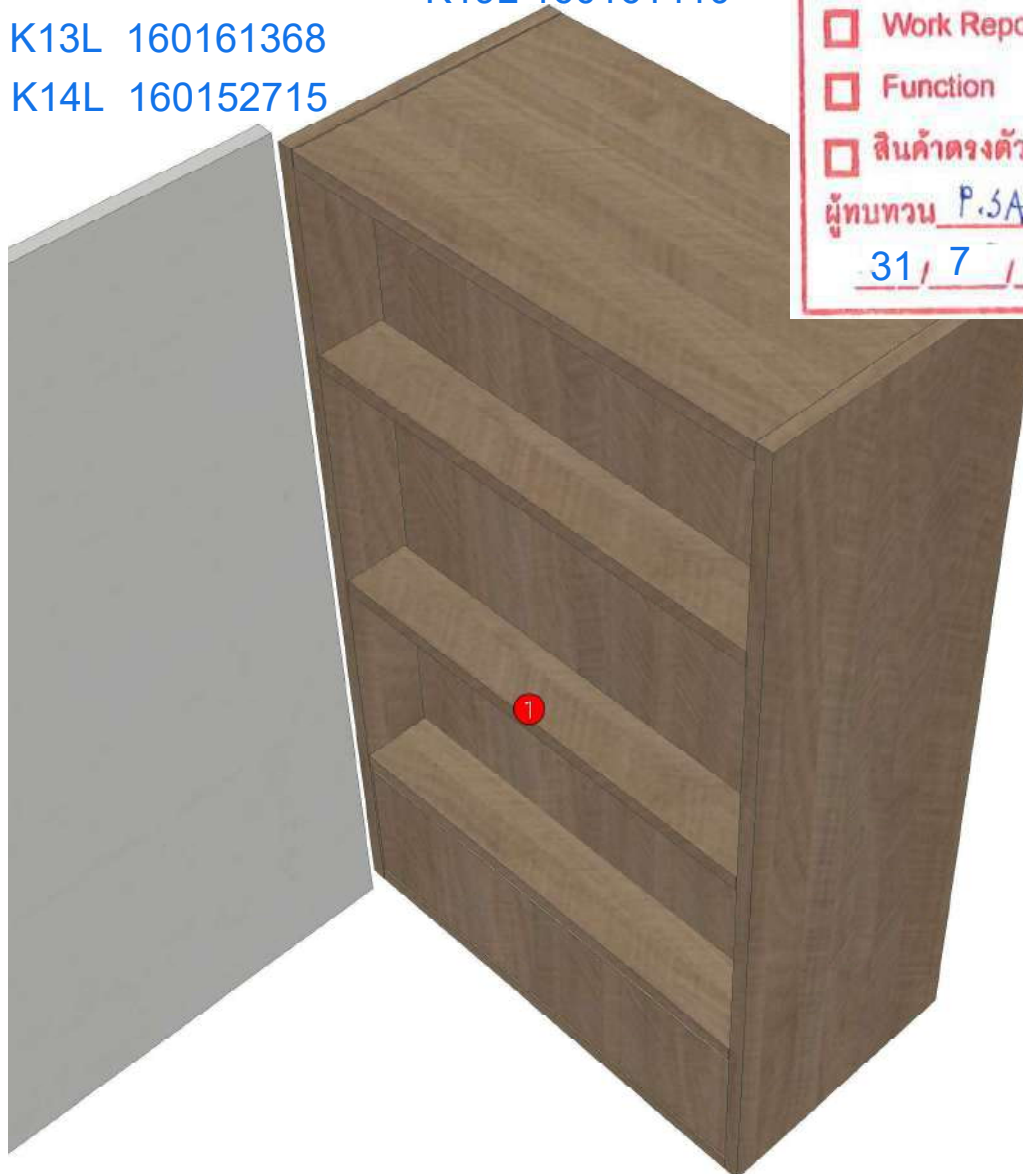
Work Report

Function

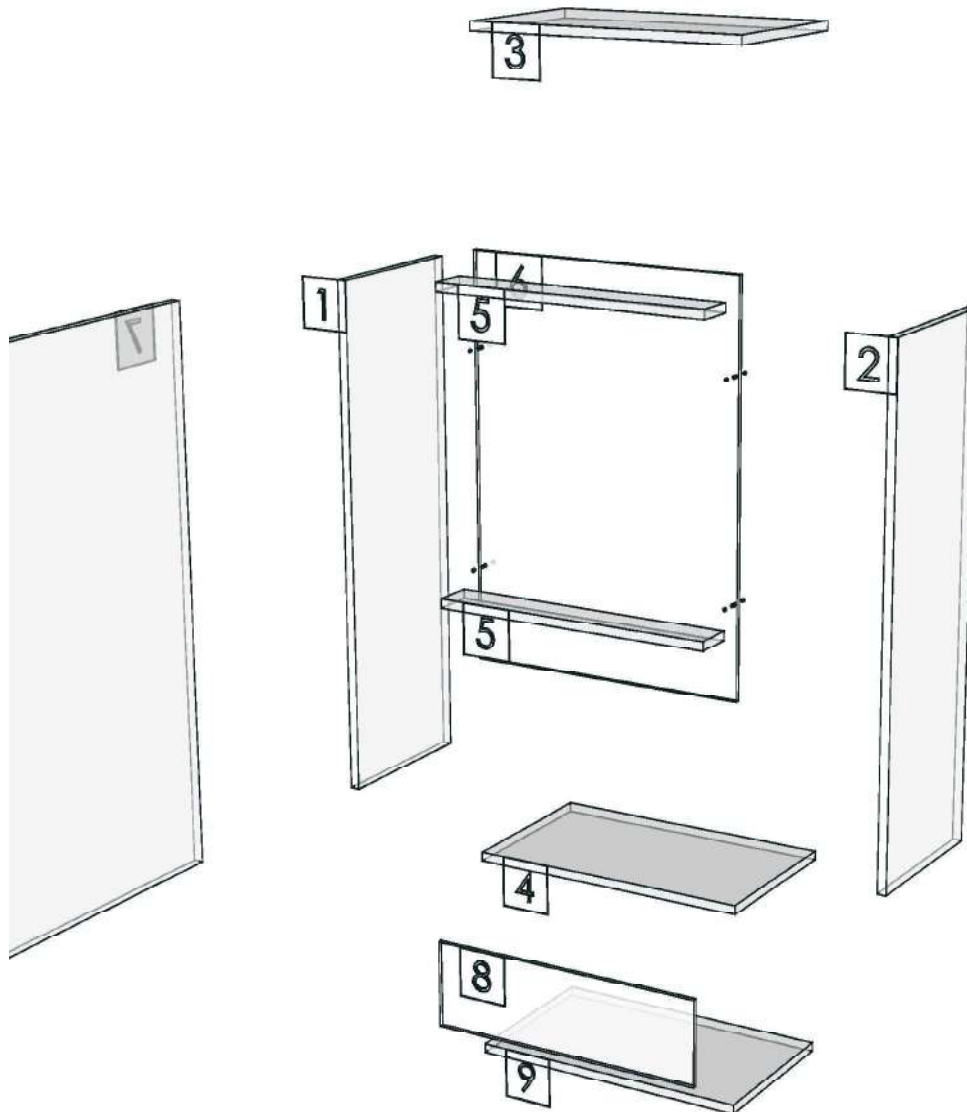
สินค้าตรงตัวอย่าง

ผู้ทบทวน P.SAWA

31 / 7 / 68



Model	-ROMM_CONVECT_DL60HL_SR_1		
Creator	SUTTHI.P	.BCP Name	INDEX_C3D_KITCHENPAE
Reviewer		Order	O002511
Approves	<i>P. SAWA</i>	Date	09/06/2025



Model	ROMM_CONVECT_DL80R_1		
Creator	SUTTHI.P	.BCP Name	INDEX_C3D_KITCHENPAE
Reviewer		Order	O002708
Approves	P.SAWA	Date	08/08/2025

ROMM_CONVECT_DL80R_1-800X330X700

Colour

04.69=PB-E1 4'X8'T LAMINATE WILMIKA TEXT NO. W3125-16
04.691=ALVIC LUMAX-SPP/4'X10'X18MM.-BLANCO SUPPERMATT(LX8
04.692=PB-E1 4'X9'T. LAMINA WILMIKA TEXT NO. W3125-16
04.693=HPL WILMIKA NO. W3125-16/HPL.TD#9201 PL
05.01=ML WHITE VM1012 18/18

Edge

01.405=1 DWK3125AT
01.47=1 WHITE

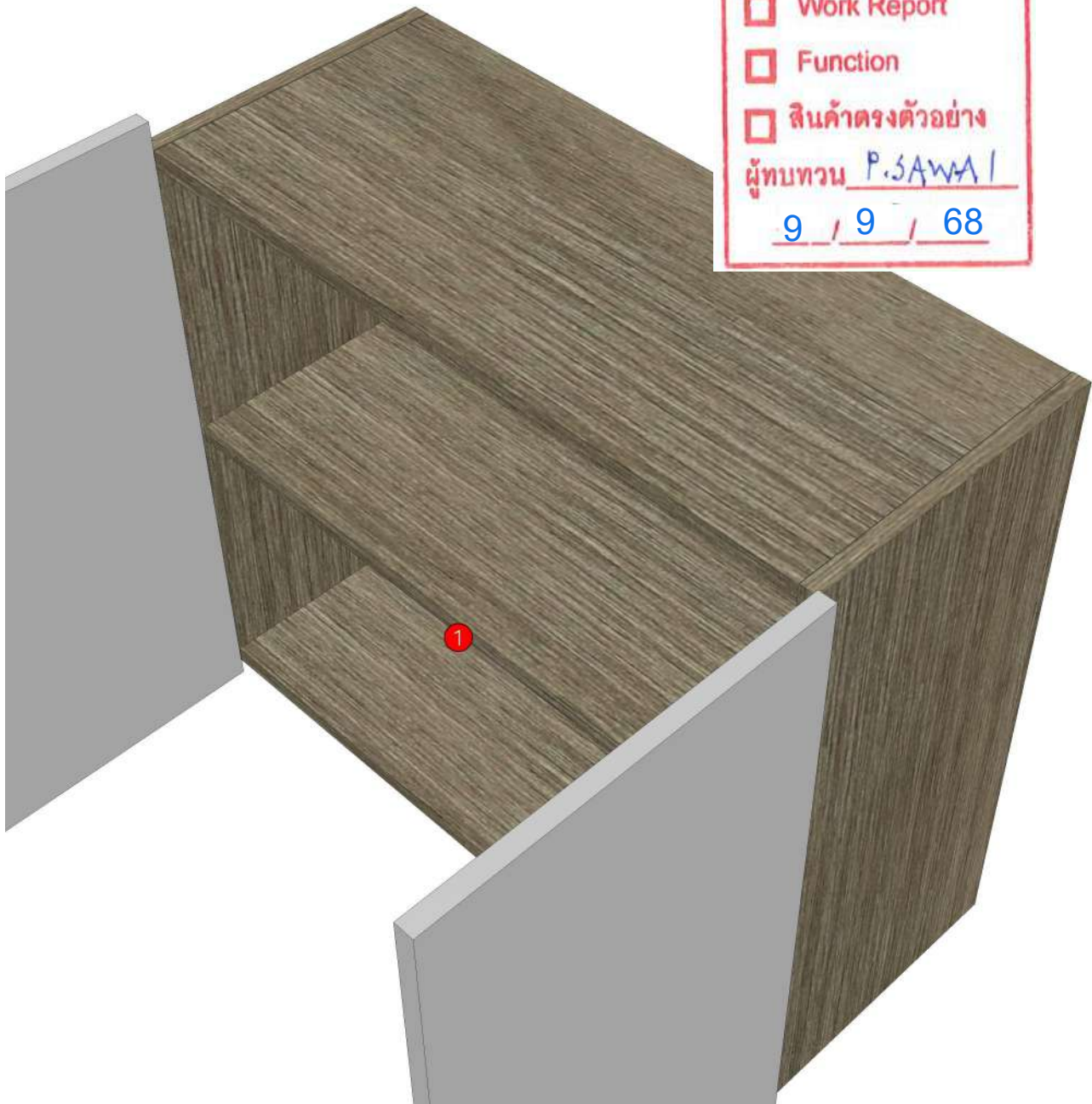
K13L 160161368

R&D REVIEW

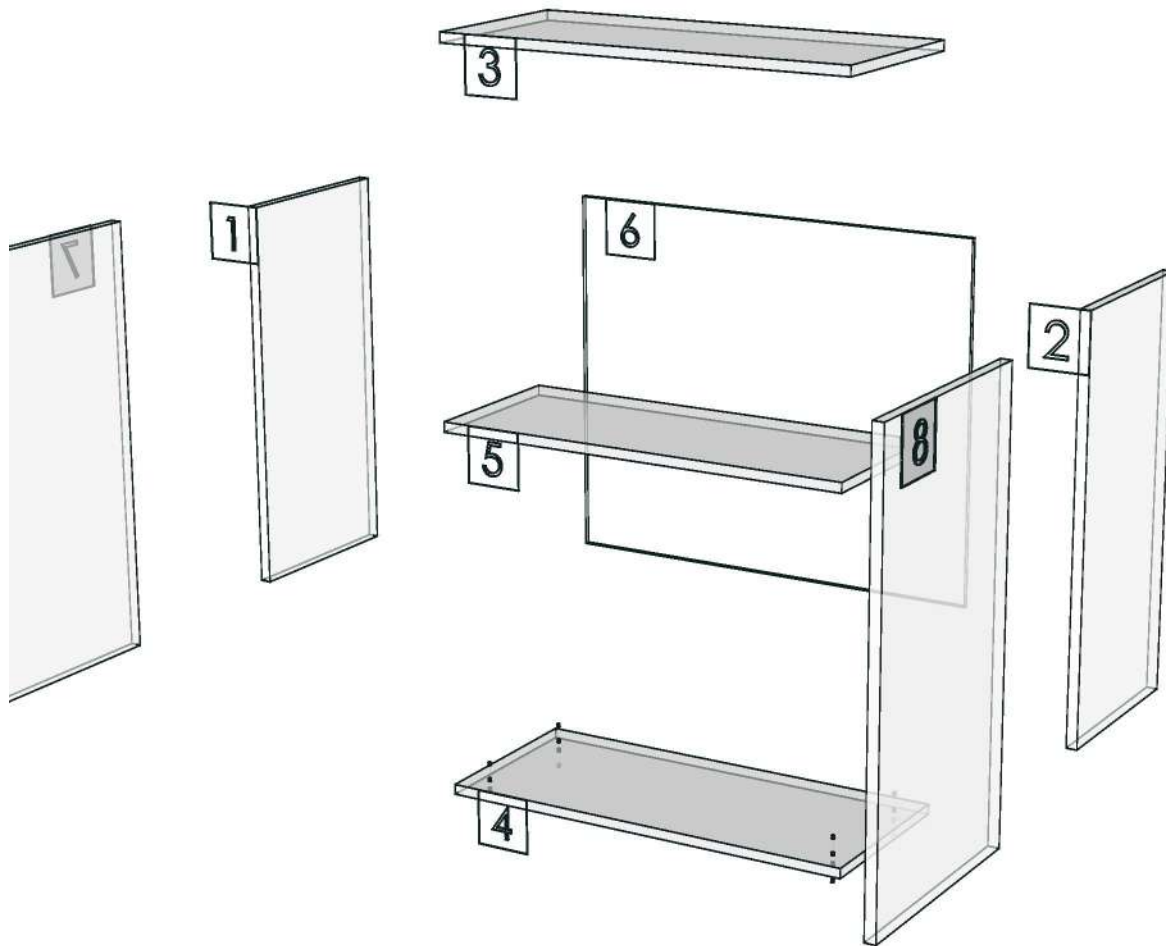
- DWG.Customer
- Work Report
- Function
- สินค้าตรงตัวอย่าง

ผู้ทบทวน P.SAWA /

9 / 9 / 68



Model	-ROMM_CONVECT_DL80R_1		
Creator	SUTTHI.P	.BCP Name	INDEX_C3D_KITCHENPAE
Reviewer		Order	0002708
Approves	<i>P. SAWA</i>	Date	08/08/2025



Model	ROMM_CONVECT_DPLT_1730_1		
Creator	SUTTHI.P	.BCP Name	INDEX_C3D_KITCHENPAE
Reviewer		Order	0002771
Approves	P.SAWA	Date	13/08/2025

ROMM_CONVECT_DPLT_1730_1-1730X9X100

Colour

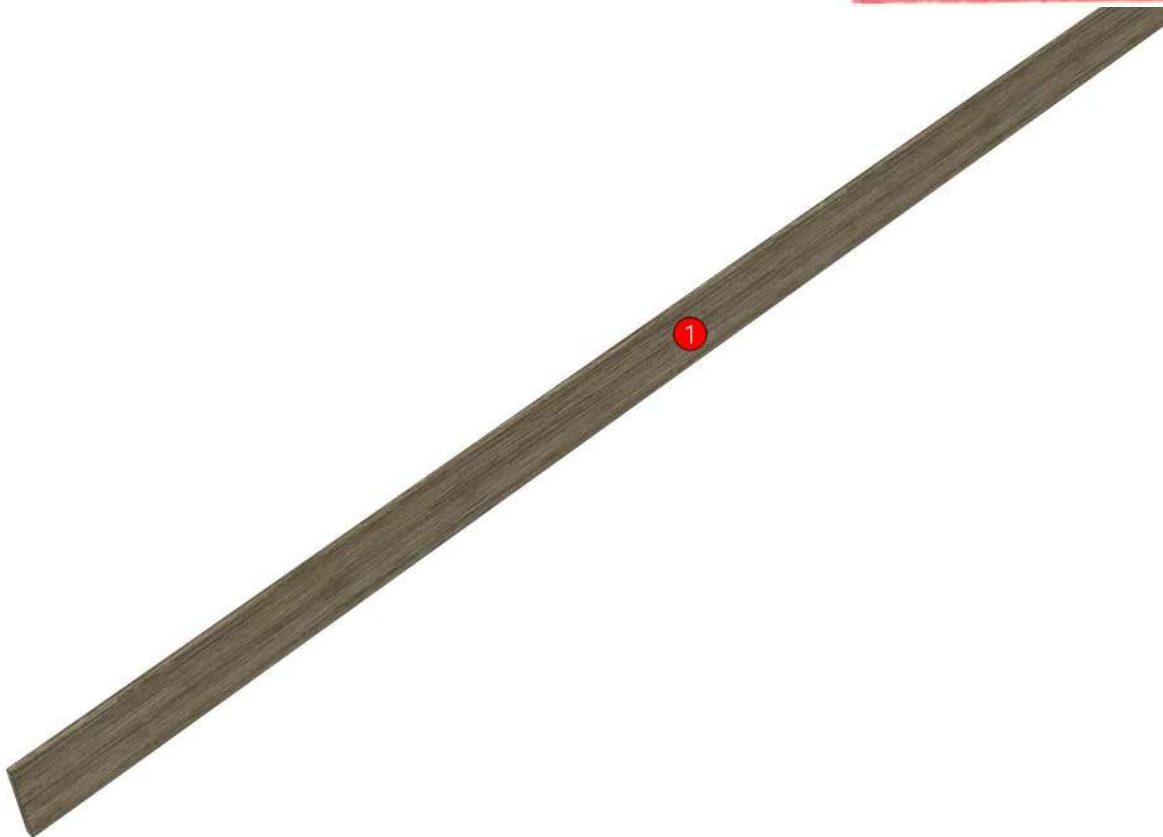
04.69=PB-E1 4'X8'T LAMINATE WILMIKA TEXT NO. W3125-16
04.691=ALVIC LUMAX-SPP/4'X10'X18MM.-BLANCO SUPPERMATT(LX8)

Edge

01.405=1 DWK3125AT
01.47=1 WHITE

K13L 160161368

R&D REVIEW	
<input checked="" type="checkbox"/>	DWG.Customer
<input type="checkbox"/>	Work Report
<input type="checkbox"/>	Function
<input type="checkbox"/>	สินค้าตรงตัวอย่าง
ผู้ทบทวน <u>P.SAWA</u>	
<u>3</u> / <u>9</u> / <u>68</u>	



Model	-ROMM_CONVECT_DPLT_1730_1		
Creator	SUTTHI.P	.BCP Name	INDEX_C3D_KITCHENPAE
Reviewer		Order	0002771
Approves	P. SAWA	Date	13/08/2025



Model	ROMM_CONVECT_DPLT_2120_1		
Creator	SUTTHI.P	.BCP Name	INDEX_C3D_KITCHENPAE
Reviewer		Order	O002641
Approves	P.SAWA	Date	10/07/2025

ROMM_CONVECT_DPLT_2120_1-2120X9X100

Colour

04.69=PB-E1 4'X8'T LAMINATE WILMIKA TEXT NO. W3125-16
04.691=ALVIC LUMAX-SPP/4'X10'X18MM.-BLANCO SUPPERMATT(LX8)

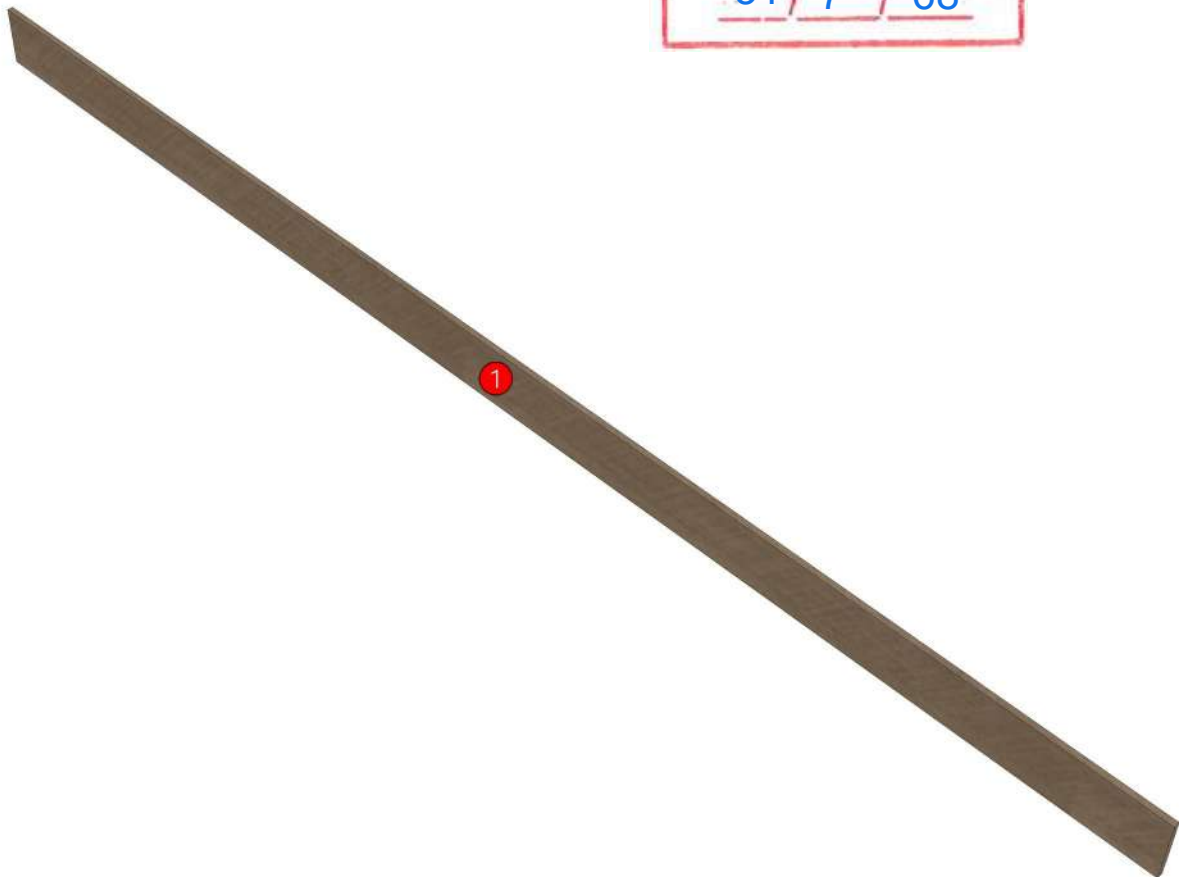
Edge

01.405=1 DWK3125AT
01.4051=1 WHITE 01016

K5R 160152669

K13L 160161368

R&D REVIEW	
<input checked="" type="checkbox"/>	DWG.Customer
<input type="checkbox"/>	Work Report
<input type="checkbox"/>	Function
<input type="checkbox"/>	สินค้าตรงตัวอย่าง
ผู้ทบทวน <u>P.SAWA</u>	
<u>31 / 7 / 68</u>	



Model	-ROMM_CONVECT_DPLT_2120_1		
Creator	SUTTHI.P	.BCP Name	INDEX_C3D_KITCHENPAE
Reviewer		Order	0002641
Approves	<i>P. SAWA</i>	Date	10/07/2025



Model	ROMM_CONVECT_DPLT_610_1		
Creator	SUTTHI.P	.BCP Name	INDEX_C3D_KITCHENPAE
Reviewer		Order	0002776
Approves	P. SAWA	Date	13/08/2025

ROMM_CONVECT_DPLT_610_1-610X9X100

Colour

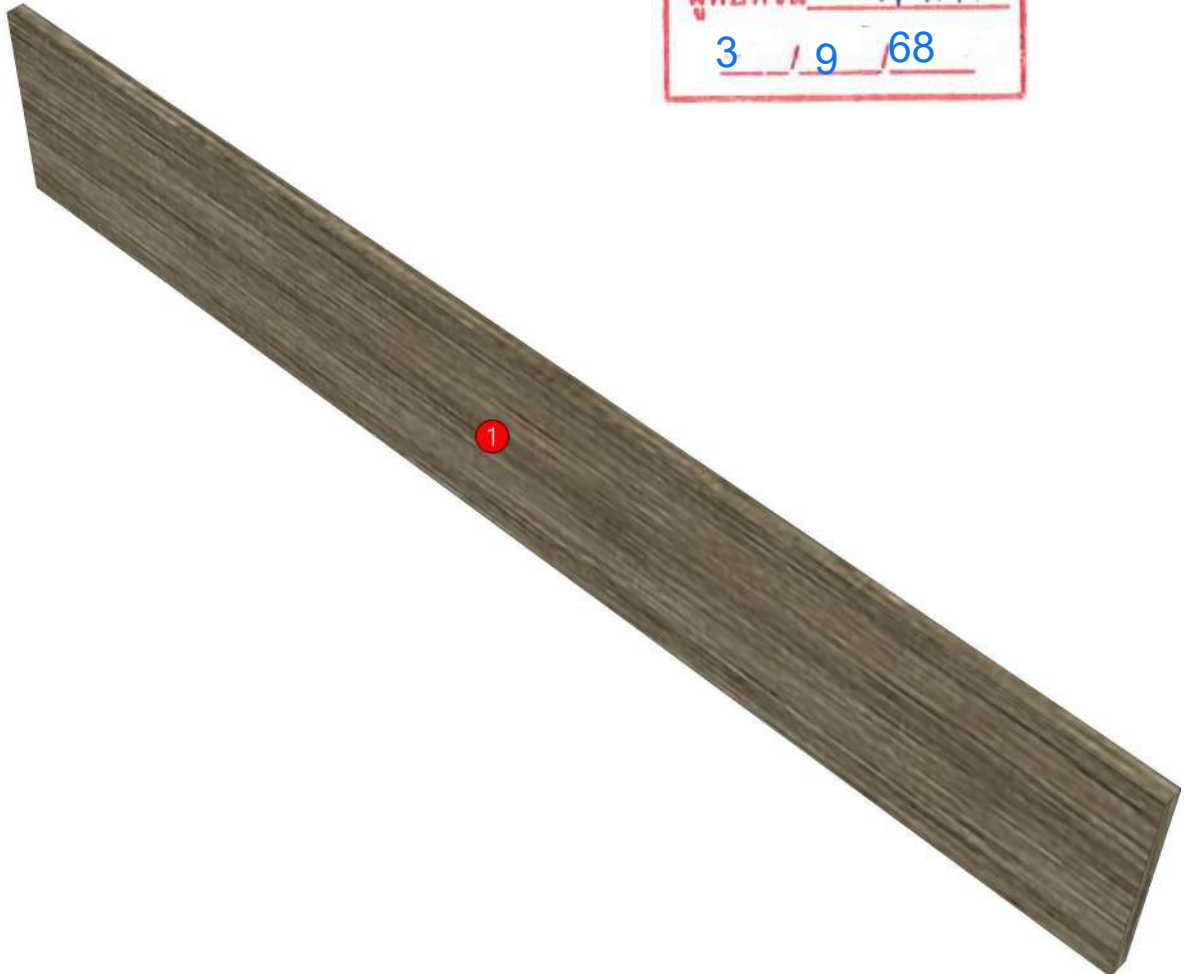
04.69=PB-E1 4'X8'T LAMINATE WILMIKA TEXT NO. W3125-16
04.691=ALVIC LUMAX-SPP/4'X10'X18MM.-BLANCO SUPPERMATT(LX8)

Edge

01.405=1 DWK3125AT
01.47=1 WHITE

K13L 160161368

R&D REVIEW	
<input checked="" type="checkbox"/>	DWG.Customer
<input type="checkbox"/>	Work Report
<input type="checkbox"/>	Function
<input type="checkbox"/>	สินค้าตรงตัวอย่าง
ผู้ทบทวน <u>P.SAWA</u>	
<u>3</u> / <u>9</u> / <u>68</u>	



Model	-ROMM_CONVECT_DPLT_610_1		
Creator	SUTTHI.P	.BCP Name	INDEX_C3D_KITCHENPAE
Reviewer		Order	0002776
Approves	<i>P. SAWA</i>	Date	13/08/2025



Model	ROMM_CONVECT_DPLT_900_1		
Creator	SUTTHI.P	.BCP Name	INDEX_C3D_KITCHENPAE
Reviewer		Order	0002648
Approves	P.SAWA	Date	10/07/2025

ROMM_CONVECT_DPLT_900_1-900X9X100

Colour

04.69=PB-E1 4'X8'T LAMINATE WILMIKA TEXT NO. W3125-16
04.691=ALVIC LUMAX-SPP/4'X10'X18MM.-BLANCO SUPPERMATT(LX8)

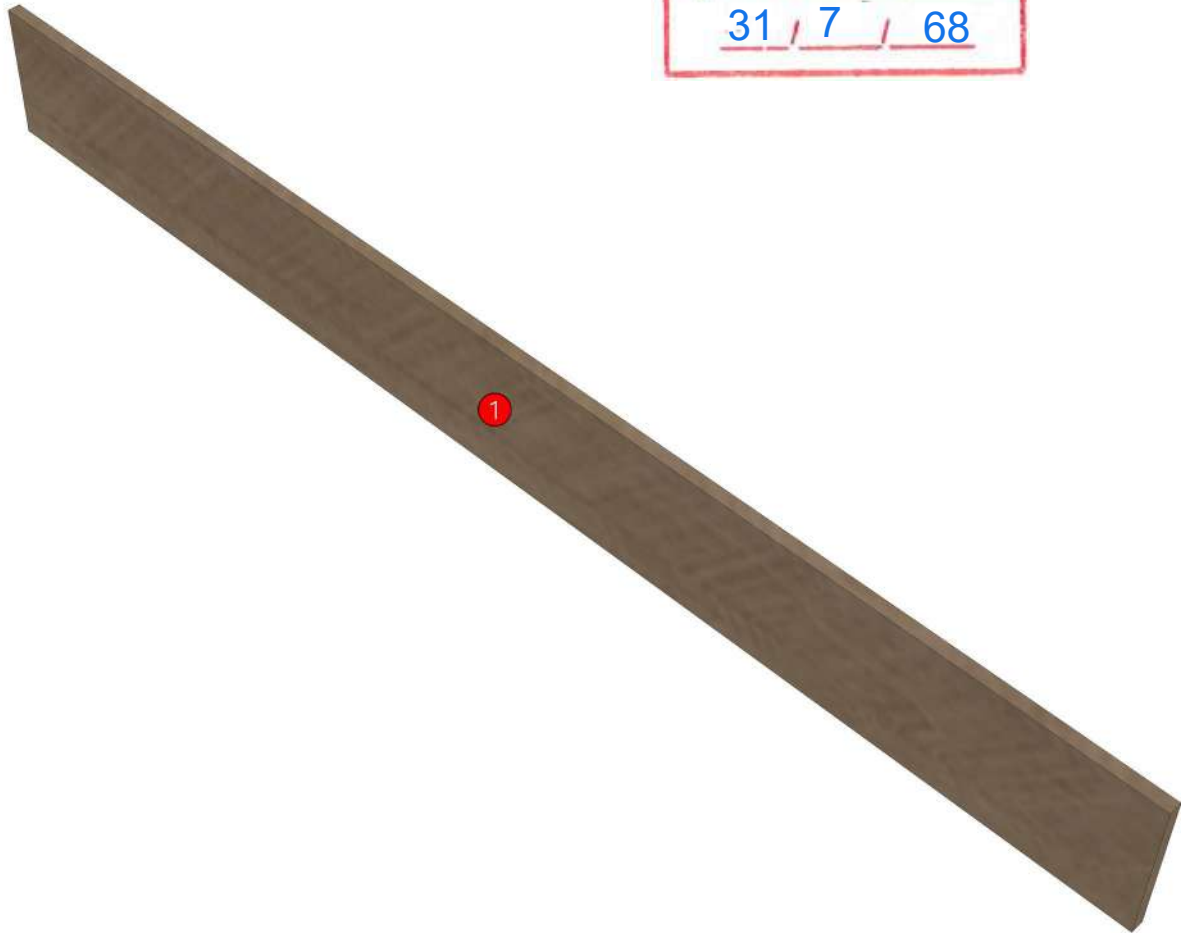
Edge

01.405=1 DWK3125AT
01.4051=1 WHITE 01016

K2R 160160436

K13L 160161368

R&D REVIEW	
<input checked="" type="checkbox"/>	DWG.Customer
<input type="checkbox"/>	Work Report
<input type="checkbox"/>	Function
<input type="checkbox"/>	สินค้าตรงตัวอย่าง
ผู้ทบทวน <u>P.SAWA</u>	
<u>31 / 7 / 68</u>	



Model	-ROMM_CONVECT_DPLT_900_1		
Creator	SUTTHI.P	.BCP Name	INDEX_C3D_KITCHENPAE
Reviewer		Order	0002648
Approves	P. SAWA	Date	10/07/2025



Model	ROMM_CONVECT_DSH_1750L_1		
Creator	SUTTHI.P	.BCP Name	INDEX_C3D_KITCHENPAE
Reviewer		Order	0002729
Approves	<i>P.SAWA</i>	Date	09/08/2025

ROMM_CONVECT_DSH_1750L_1-1750X350X25

Colour

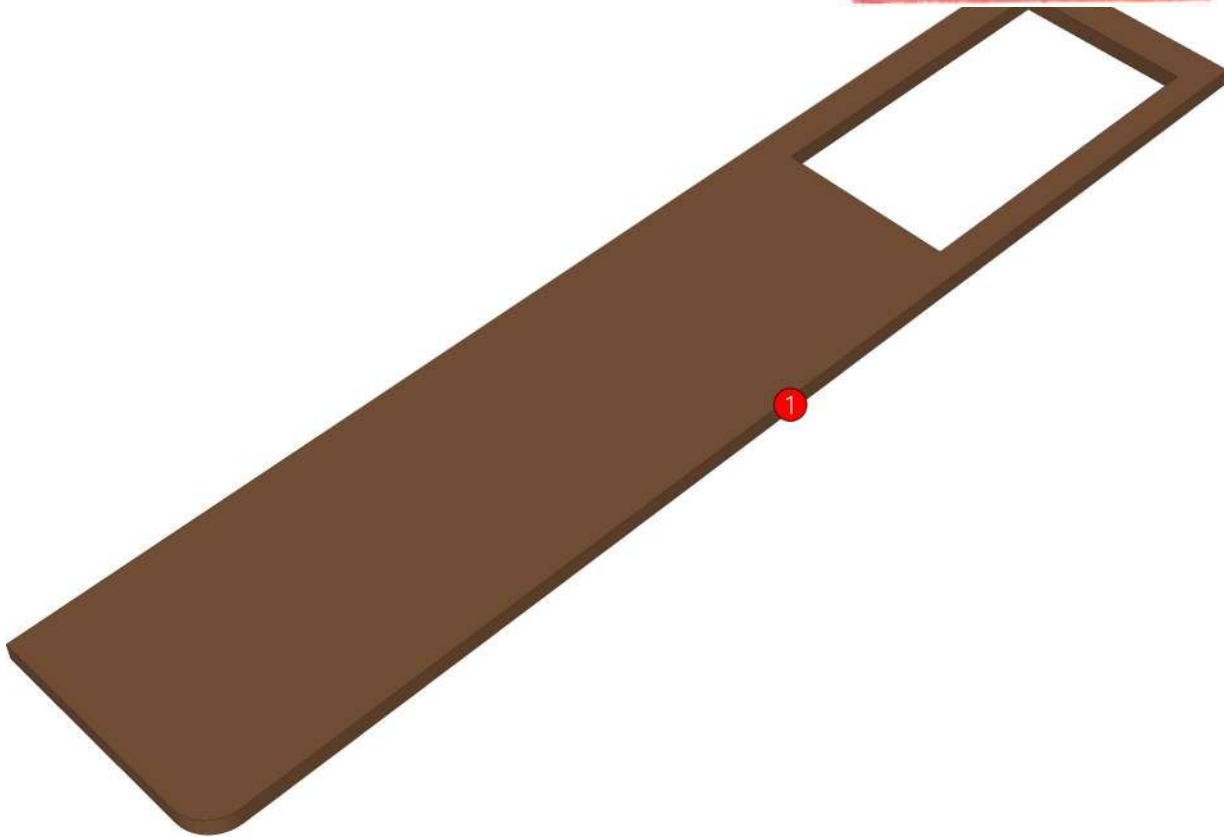
04.69=PB-E1 4'X8'T LAMINATE WILMIKA TEXT NO. W3125-16
04.691=ALVIC LUMAX-SPP/4'X10'X18MM.-BLANCO SUPPERMATT(LX8)

Edge

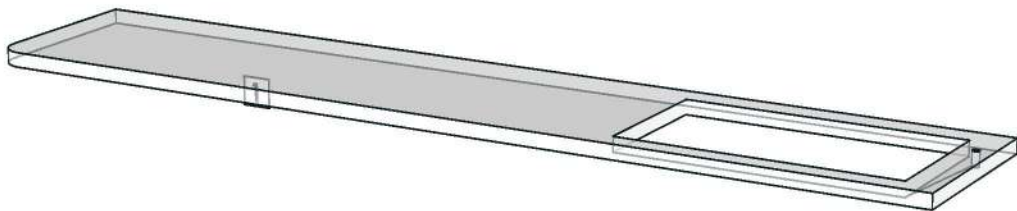
01.405=1 DWK3125AT
01.47=1 WHITE

K13L 160161368

R&D REVIEW	
<input checked="" type="checkbox"/>	DWG.Customer
<input type="checkbox"/>	Work Report
<input type="checkbox"/>	Function
<input type="checkbox"/>	สินค้าตรงตัวอย่าง
ผู้ทบทวน <u>P.SAWA</u>	
<u>3 / 9 / 68</u>	



Model	-ROMM_CONVECT_DSH_1750L_1		
Creator	SUTTHI.P	.BCP Name	INDEX_C3D_KITCHENPAE
Reviewer		Order	0002729
Approves	<i>P. SAWA</i>	Date	09/08/2025



Model	ROMM_CONVECT_DSH_850_1		
Creator	SUTTHI.P	.BCP Name	INDEX_C3D_KITCHENPAE
Reviewer		Order	O002730
Approves	P.SAWA	Date	09/08/2025

ROMM_CONVECT_DSH_850_1-850X350X25

Colour

04.69=PB-E1 4'X8'T LAMINATE WILMIKA TEXT NO. W3125-16
04.691=ALVIC LUMAX-SPP/4'X10'X18MM.-BLANCO SUPPERMATT(LX8)

Edge

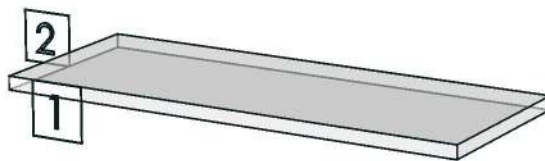
01.405=1 DWK3125AT
01.47=1 WHITE

K13L 160161368

R&D REVIEW	
<input checked="" type="checkbox"/>	DWG.Customer
<input type="checkbox"/>	Work Report
<input type="checkbox"/>	Function
<input type="checkbox"/>	สินค้าตรงตัวอย่าง
ผู้ทบทวน <u>P.SAWA</u>	
<u>3</u> / <u>9</u> / <u>68</u>	



Model	-ROMM_CONVECT_DSH_850_1		
Creator	SUTTHI.P	.BCP Name	INDEX_C3D_KITCHENPAE
Reviewer		Order	O002730
Approves	<i>P. SAWA</i>	Date	09/08/2025



Model	ROMM_CONVECT_DT65_1		
Creator	SUTTHI.P	.BCP Name	INDEX_C3D_KITCHENPAE
Reviewer		Order	O002786
Approves	<i>P.SAWA</i>	Date	15/08/2025

ROMM_CONVECT_DT65_1-650X580X2550

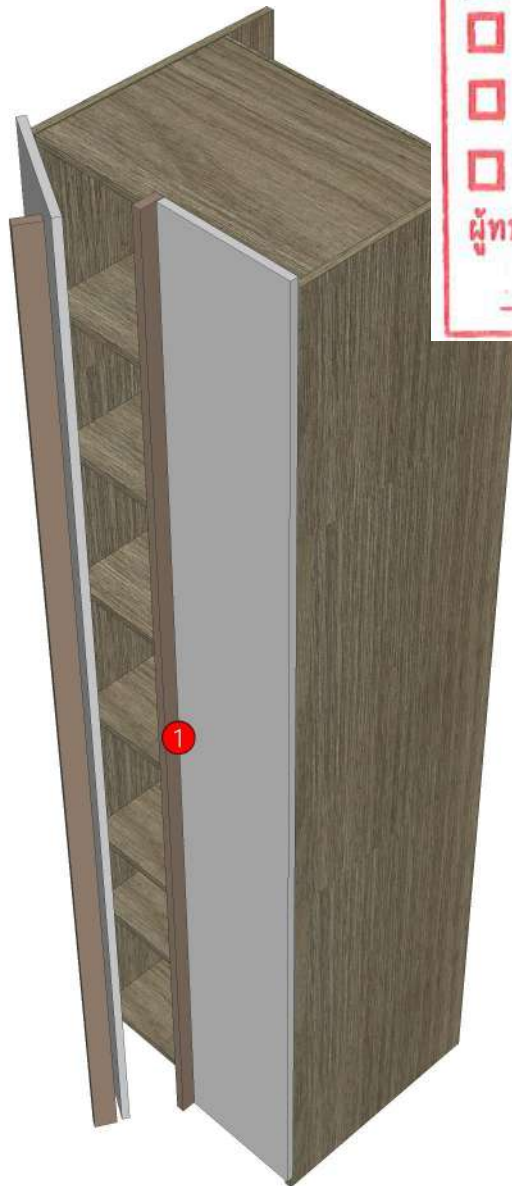
Colour

04.69=PB-E1 4'X8'T LAMINATE WILMIKA TEXT NO. W3125-16
04.691=ALVIC LUMAX-SPP/4'X10'X18MM.-BLANCO SUPPERMATT(LX8)
04.692=PB-E1 4'X9'T. LAMINA WILMIKA TEXT NO. W3125-16
04.693=HPL WILMIKA NO. W3125-16/HPL.TD#9201 PL

Edge

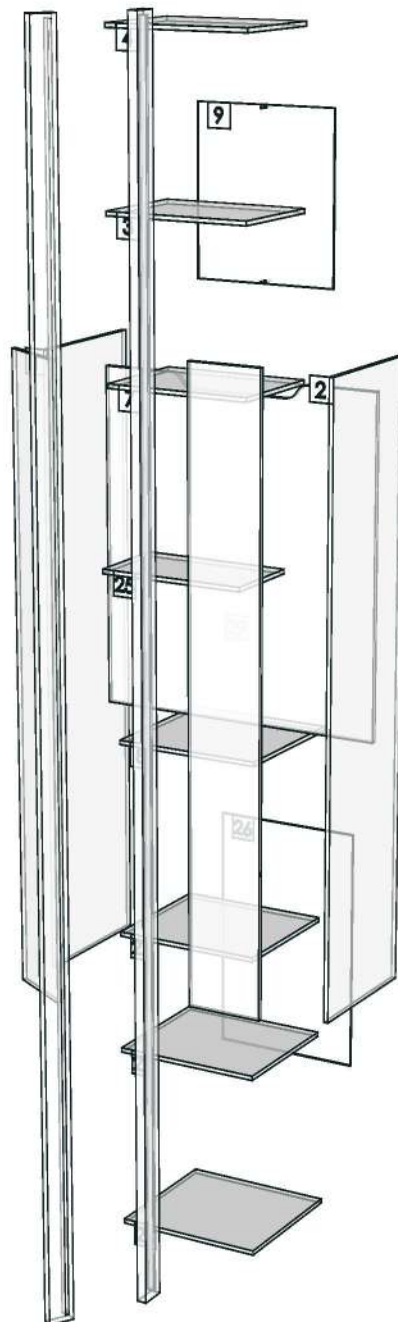
01.405=1 DWK3125AT
01.47=1 WHITE

K13L 160161368



R&D REVIEW	
<input checked="" type="checkbox"/>	DWG.Customer
<input type="checkbox"/>	Work Report
<input type="checkbox"/>	Function
<input type="checkbox"/>	สินค้าตรงตัวอย่าง
ผู้ทบทวน <u>P.SAWA</u>	
<u>9 / 9 / 68</u>	

Model	-ROMM_CONVECT_DT65_1		
Creator	SUTTHI.P	.BCP Name	INDEX_C3D_KITCHENPAE
Reviewer		Order	0002786
Approves	<i>P. SAWA</i>	Date	15/08/2025



Model	ROMM_CONVECT_DUT_1500_1		
Creator	SUTTHI.P	.BCP Name	INDEX_C3D_KITCHENPAE
Reviewer		Order	O002651
Approves	P.SAWA	Date	10/07/2025

ROMM_CONVECT_DUT_1500_1-1500X16X50

Colour

04.69=LAMINATE HPL DWK3125AT EDL
04.691=ALVIC LUMAX-SPP/4'X10'X18MM.-BLANCO SUPPERMATT(LX8
05.01=ML WHITE VM1012 18/18

Edge

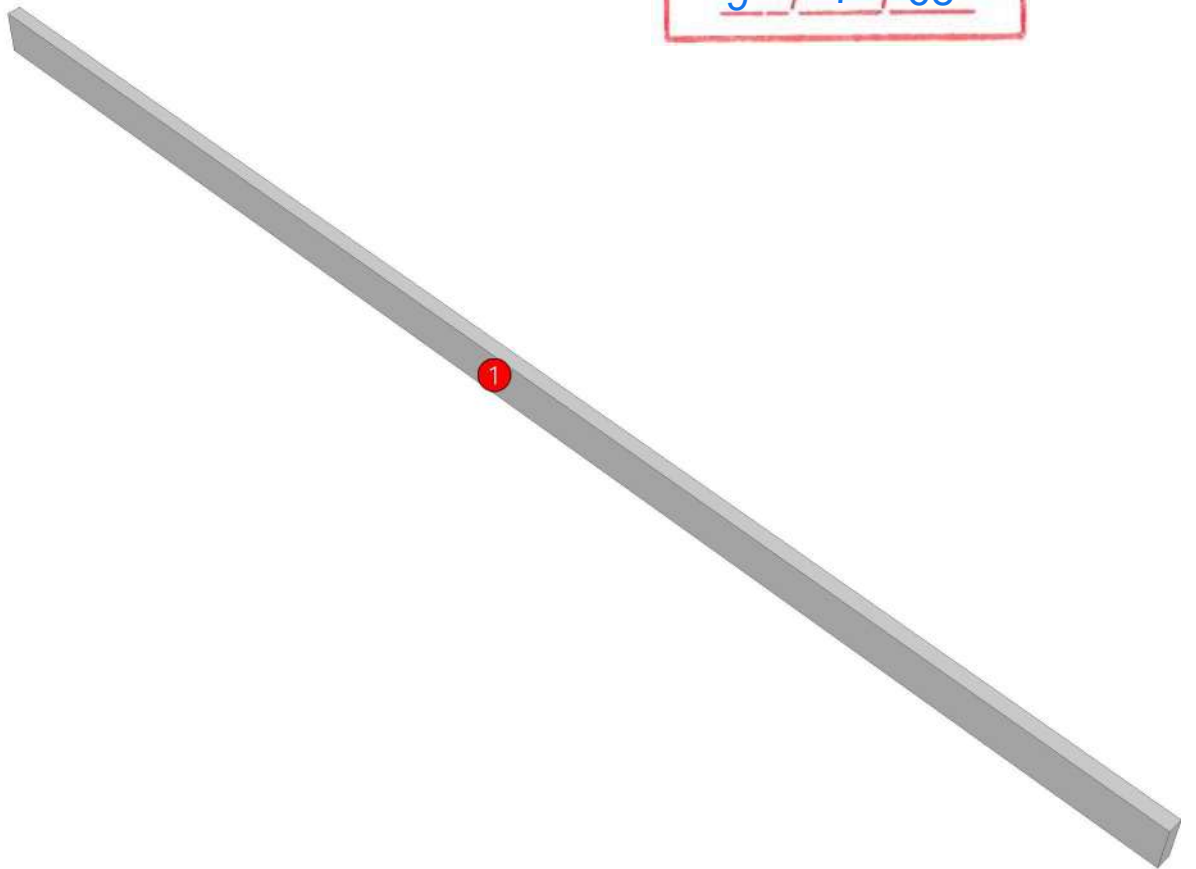
01.405=1 DWK3125AT
01.4051=1 WHITE 01016
01.47=1 WHITE

K2R 160160436

K6L 160160455

K13L 160161368

R&D REVIEW	
<input checked="" type="checkbox"/>	DWG.Customer
<input type="checkbox"/>	Work Report
<input type="checkbox"/>	Function
<input type="checkbox"/>	สินค้าตรงตัวอย่าง
ผู้ทบทวน <u>P.SAWA</u>	
<u>9 / 7 / 68</u>	



Model	-ROMM_CONVECT_DUT_1500_1		
Creator	SUTTHI.P	.BCP Name	INDEX_C3D_KITCHENPAE
Reviewer		Order	0002651
Approves	<i>P. SAWA</i>	Date	10/07/2025



Model	ROMM_CONVECT_DUT_2200K13_1		
Creator	SUTTHI.P	.BCP Name	INDEX_C3D_KITCHENPAE
Reviewer		Order	0002784
Approves	<i>P.SAWA</i>	Date	13/08/2025

ROMM_CONVECT_DUT_2200K13_1-2200X800X18

Colour

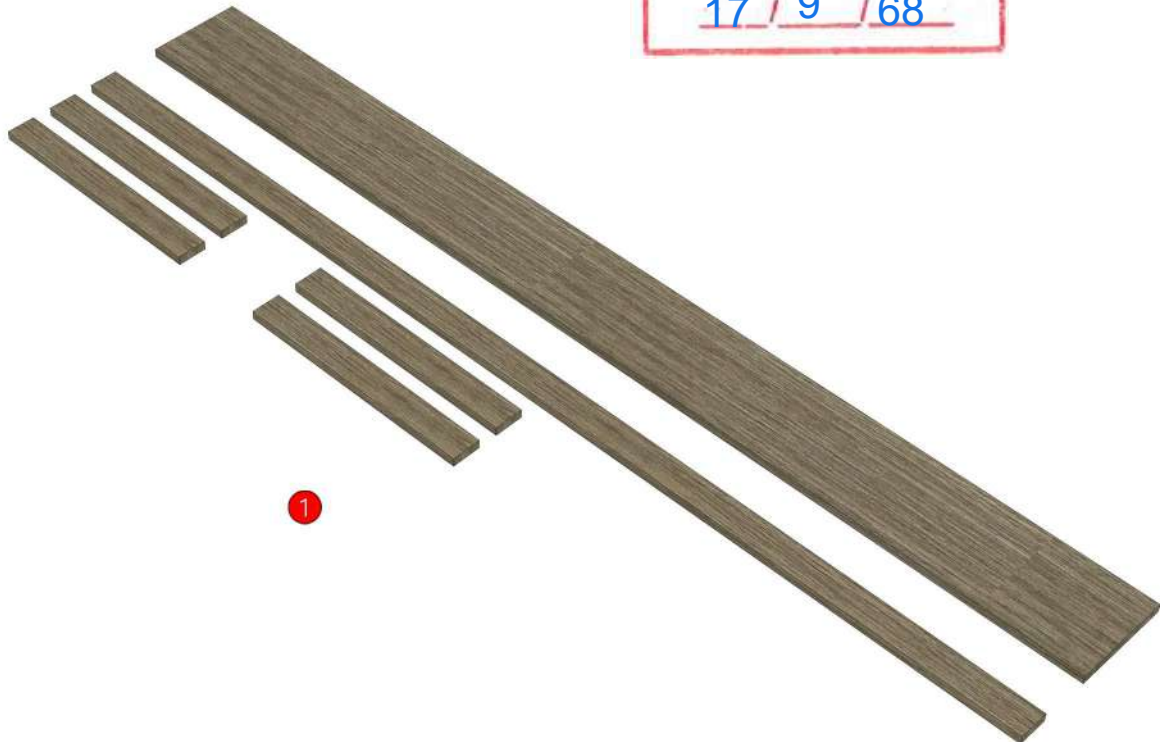
04.69=PB-E1 4'X8'T LAMINATE WILMIKA TEXT NO. W3125-16
04.691=ALVIC LUMAX-SPP/4'X10'X18MM.-BLANCO SUPPERMATT(LX8
05.01=ML WHITE VM1012 18/18

Edge

01.405=1 DWK3125AT
01.47=1 WHITE

K13L 160161368

R&D REVIEW	
<input checked="" type="checkbox"/>	DWG.Customer
<input type="checkbox"/>	Work Report
<input type="checkbox"/>	Function
<input type="checkbox"/>	สินค้าตรงตัวอย่าง
ผู้ทบทวน <u>P.SAWA</u>	
<u>17 / 9 / 68</u>	



Model	-ROMM_CONVECT_DUT_2200K13_1		
Creator	SUTTHI.P	.BCP Name	INDEX_C3D_KITCHENPAE
Reviewer		Order	0002784
Approves	<i>P. SAWA</i>	Date	13/08/2025



Model	ROMM_CONVECT_LED_1130_1		
Creator	SUTTHI.P	.BCP Name	INDEX_C3D_KITCHENPAE
Reviewer		Order	O002715
Approves	<i>P.SAWA</i>	Date	08/08/2025

ROMM_CONVECT_LED_1130_1-1130X310X18

Colour

04.69=PB-E1 4'X8'T LAMINATE WILMIKA TEXT NO. W3125-16
04.691=ALVIC LUMAX-SPP/4'X10'X18MM.-BLANCO SUPPERMATT(LX8)

Edge

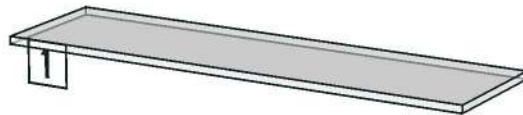
01.405=1 DWK3125AT
01.47=1 WHITE

K13L 160161368

R&D REVIEW	
<input checked="" type="checkbox"/>	DWG.Customer
<input type="checkbox"/>	Work Report
<input type="checkbox"/>	Function
<input type="checkbox"/>	สินค้าตรงตัวอย่าง
ผู้ทบทวน <u>P.SAWA</u>	
<u>3 / 9 / 68</u>	



Model	-ROMM_CONVECT_LED_1130_1		
Creator	SUTTHI.P	.BCP Name	INDEX_C3D_KITCHENPAE
Reviewer		Order	0002715
Approves	<i>P. SAWA</i>	Date	08/08/2025



Model	ROMM_CONVECT_LED_780_1		
Creator	SUTTHI.P	.BCP Name	INDEX_C3D_KITCHENPAE
Reviewer		Order	O002559
Approves	P.SAWA	Date	10/06/2025

ROMM_CONVECT_LED_780_1-780X330X18

Colour

04.69=LAMINATE HPL DWK3125AT EDL

04.691=ALVIC LUMAX-SPP/4'X10'X18MM.-BLANCO SUPPERMATT(LX8

Edge

01.405=1 DWK3125AT

01.4051=1 WHITE 01016

K13L 160161368

K15R 160152736

R&D REVIEW	
<input checked="" type="checkbox"/>	DWG.Customer
<input type="checkbox"/>	Work Report
<input type="checkbox"/>	Function
<input type="checkbox"/>	สินค้าตรงตัวอย่าง
ผู้ทบทวน <u>P.SAWA</u>	
<u>11 / 7 / 68</u>	



Model	-ROMM_CONVECT_LED_780_1		
Creator	SUTTHI.P	.BCP Name	INDEX_C3D_KITCHENPAE
Reviewer		Order	0002559
Approves	P. SAWA	Date	10/06/2025

