

Model	ROMM_CONVECT_DB102I_1	.BCP Name	INDEX_C3D_KITCHENPAE
Creator	SUTTHI.P	Order	O002676
Reviewer		Date	01/08/2025
Approves	<i>P.SAWA</i>		

ROMM_CONVECT_DB102I_1-1020X570X760

Colour

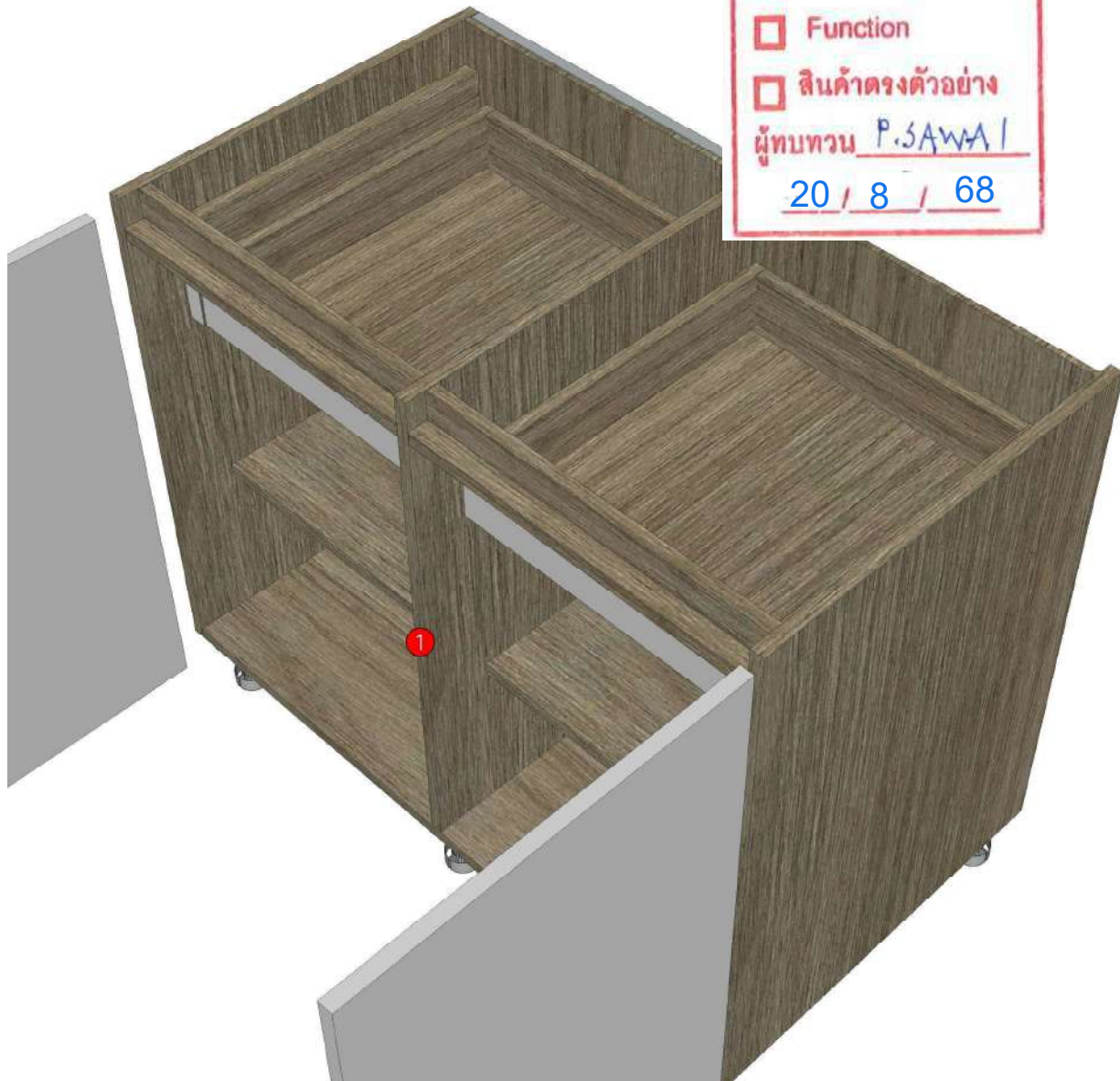
04.69=PB-E1 4'X8'T LAMINATE WILMIKA TEXT NO. W3125-16
04.691=ALVIC LUMAX-SPP/4'X10'X18MM.-BLANCO SUPPERMATT(LX8
04.692=PB-E1 4'X9'T. LAMINA WILMIKA TEXT NO. W3125-16
04.693=HPL WILMIKA NO. W3125-16/HPL.TD#9201 PL
06.01=TEXTURE DEAD STOCK

Edge

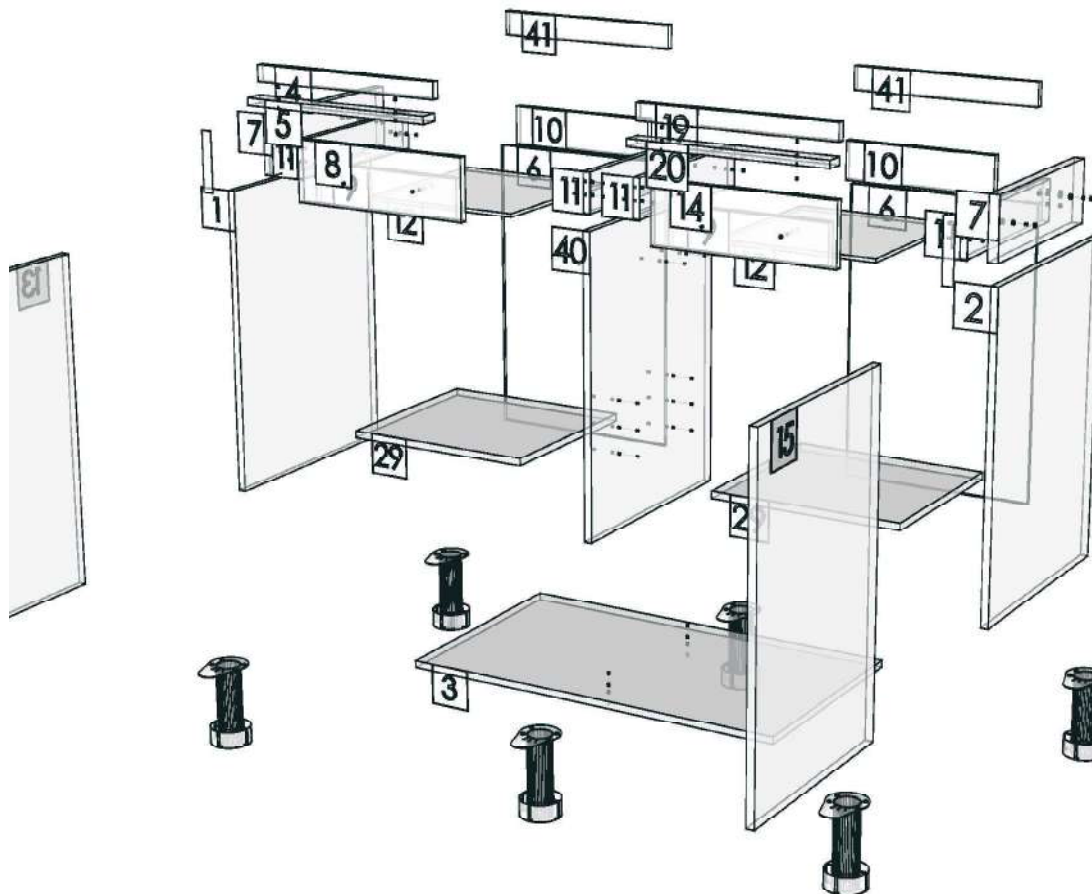
01.405=1 DWK3125AT
01.47=1 WHITE

K10R 160161347

R&D REVIEW	
<input checked="" type="checkbox"/>	DWG.Customer
<input type="checkbox"/>	Work Report
<input type="checkbox"/>	Function
<input type="checkbox"/>	สินค้าตรงตัวอย่าง
ผู้ทบทวน <u>P.SAWA</u>	
<u>20 / 8 / 68</u>	



Model	-ROMM_CONVECT_DB102I_1		
Creator	SUTTHI.P	.BCP Name	INDEX_C3D_KITCHENPAE
Reviewer		Order	O002676
Approves	<i>P. SAWA</i>	Date	01/08/2025



Model	ROMM_CONVECT_DB40RS_1		
Creator	SUTTHI.P	.BCP Name	INDEX_C3D_KITCHENPAE
Reviewer		Order	O002682
Approves	<i>P.SAWA</i>	Date	02/08/2025

ROMM_CONVECT_DB40RS_1-400X540X730

Colour

04.69=PB-E1 4'X8'T LAMINATE WILMIKA TEXT NO. W3125-16
04.691=ALVIC LUMAX-SPP/4'X10'X18MM.-BLANCO SUPPERMATT(LX8
04.692=PB-E1 4'X9'T. LAMINA WILMIKA TEXT NO. W3125-16
04.693=HPL WILMIKA NO. W3125-16/HPL.TD#9201 PL

Edge

01.405=1 DWK3125AT
01.47=1 WHITE

K10R 160161347



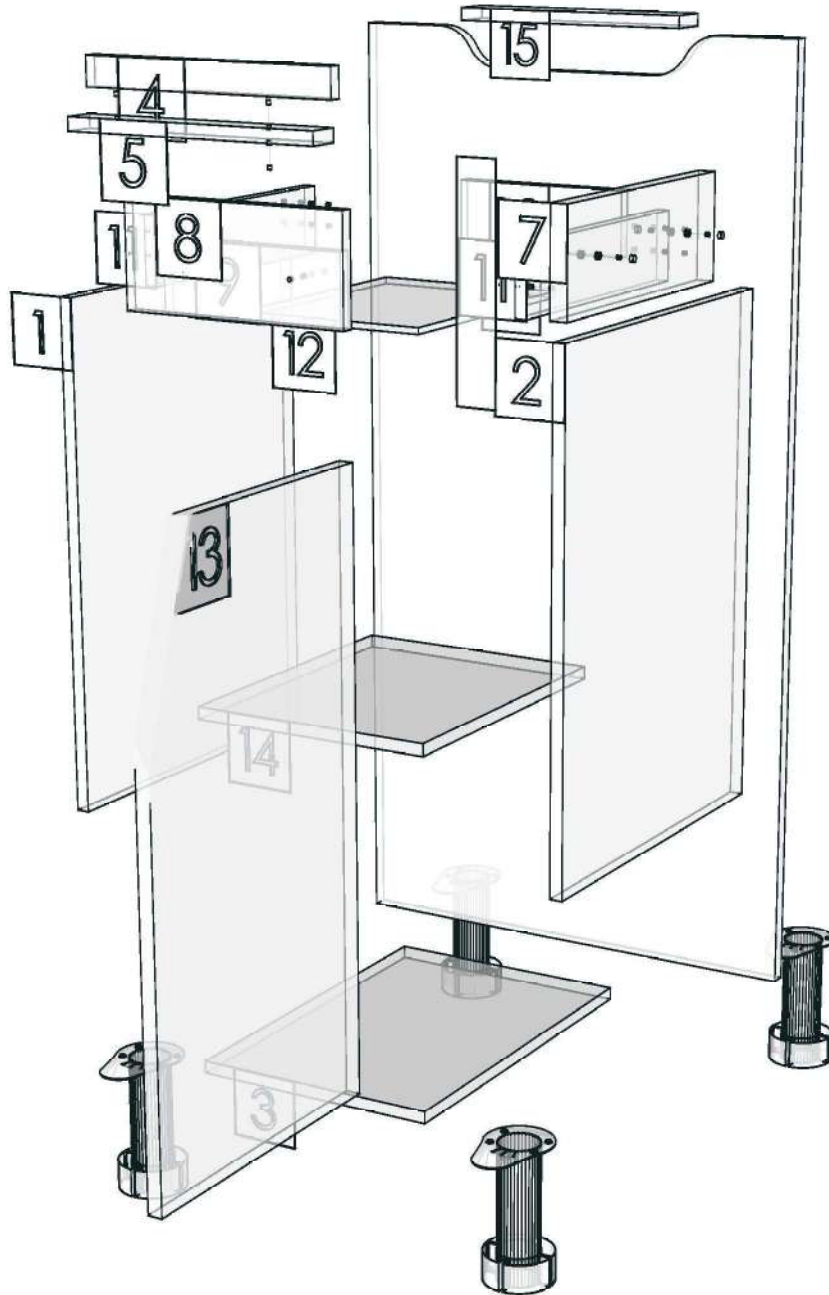
R&D REVIEW

- DWG.Customer
- Work Report
- Function
- สินค้าตรงตัวอย่าง

ผู้ทบทวน P.SAWA

20 / 8 / 68

Model	-ROMM_CONVECT_DB40RS_1		
Creator	SUTTHI.P	.BCP Name	INDEX_C3D_KITCHENPAE
Reviewer		Order	O002682
Approves	<i>P. SAWAI</i>	Date	02/08/2025



Model	ROMM_CONVECT_DB60R_1	.BCP Name	INDEX_C3D_KITCHENPAE
Creator	SUTTHI.P	Order	O002681
Reviewer		Date	02/08/2025
Approves	<i>P.SAWA</i>		

ROMM_CONVECT_DB60R_1-600X570X730

Colour

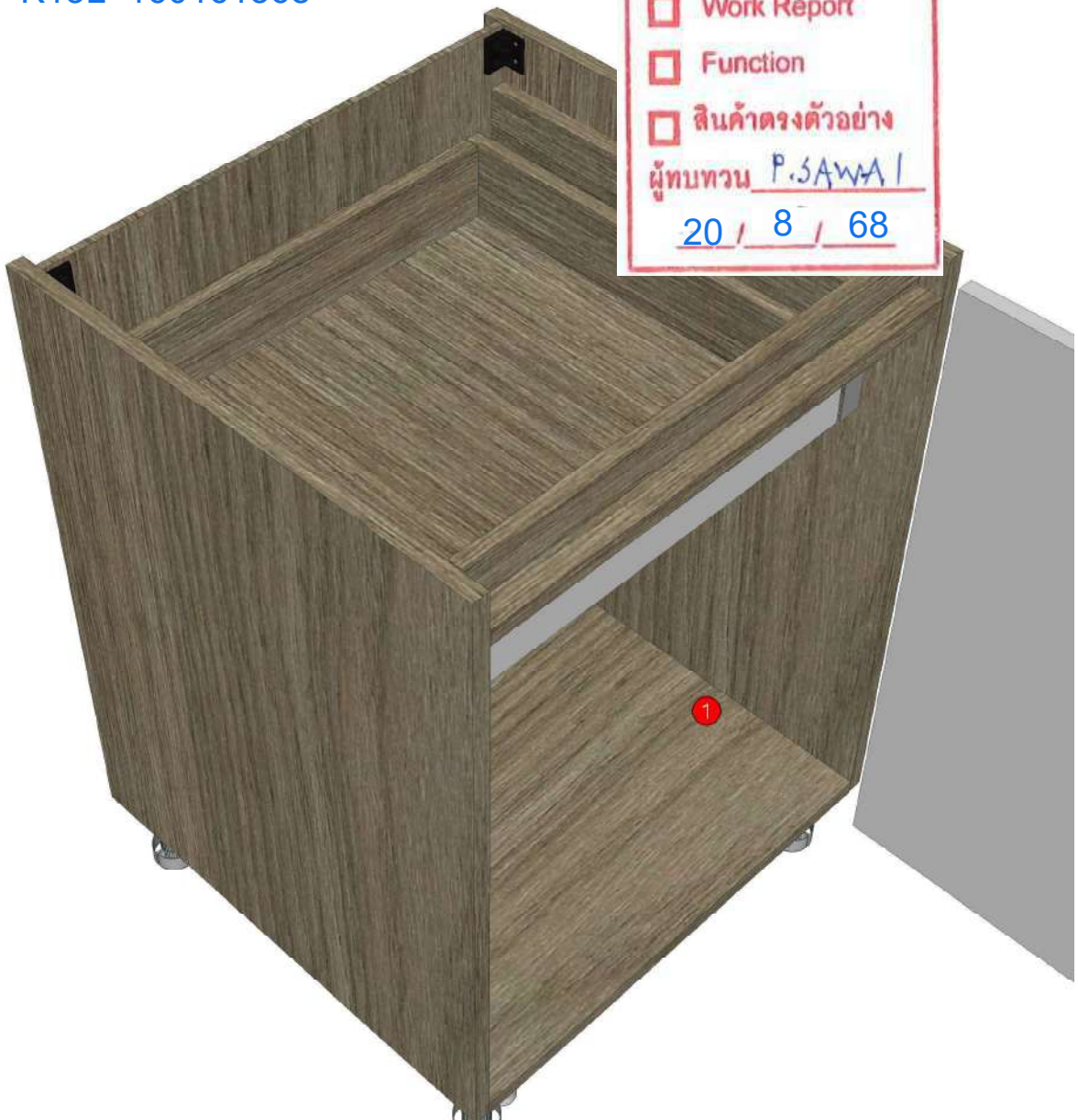
04.69=PB-E1 4'X8'T LAMINATE WILMIKA TEXT NO. W3125-16
04.691=ALVIC LUMAX-SPP/4'X10'X18MM.-BLANCO SUPPERMATT(LX8
04.692=PB-E1 4'X9'T. LAMINA WILMIKA TEXT NO. W3125-16
04.693=HPL WILMIKA NO. W3125-16/HPL.TD#9201 PL

Edge

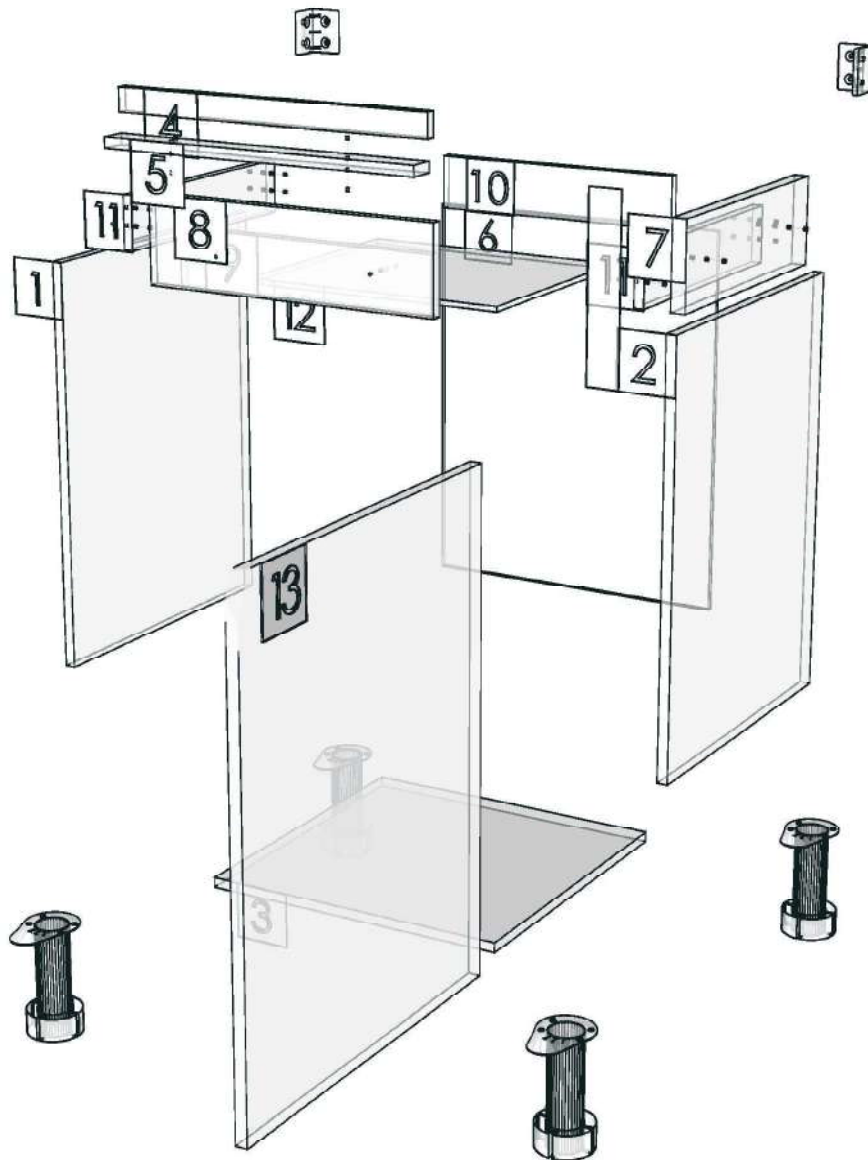
01.405=1 DWK3125AT
01.47=1 WHITE

K10R 160161347

K13L 160161368



Model	-ROMM_CONVECT_DB60R_1		
Creator	SUTTHI.P	.BCP Name	INDEX_C3D_KITCHENPAE
Reviewer		Order	O002681
Approves	<i>P. SAWAI</i>	Date	02/08/2025



Model	ROMM_CONVECT_DBD30L_1		
Creator	SUTTHI.P	.BCP Name	INDEX_C3D_KITCHENPAE
Reviewer		Order	O002683
Approves	<i>P.SAWA</i>	Date	02/08/2025

ROMM_CONVECT_DBD30L_1-300X670X830

Colour

04.69=PB-E1 4'X8'T LAMINATE WILMIKA TEXT NO. W3125-16

04.691=ALVIC LUMAX-SPP/4'X10'X18MM.-BLANCO SUPPERMATT(LX8

04.692=PB-E1 4'X9'T. LAMINA WILMIKA TEXT NO. W3125-16

04.693=HPL WILMIKA NO. W3125-16/HPL.TD#9201 PL

Edge

01.405=1 DWK3125AT

01.47=1 WHITE

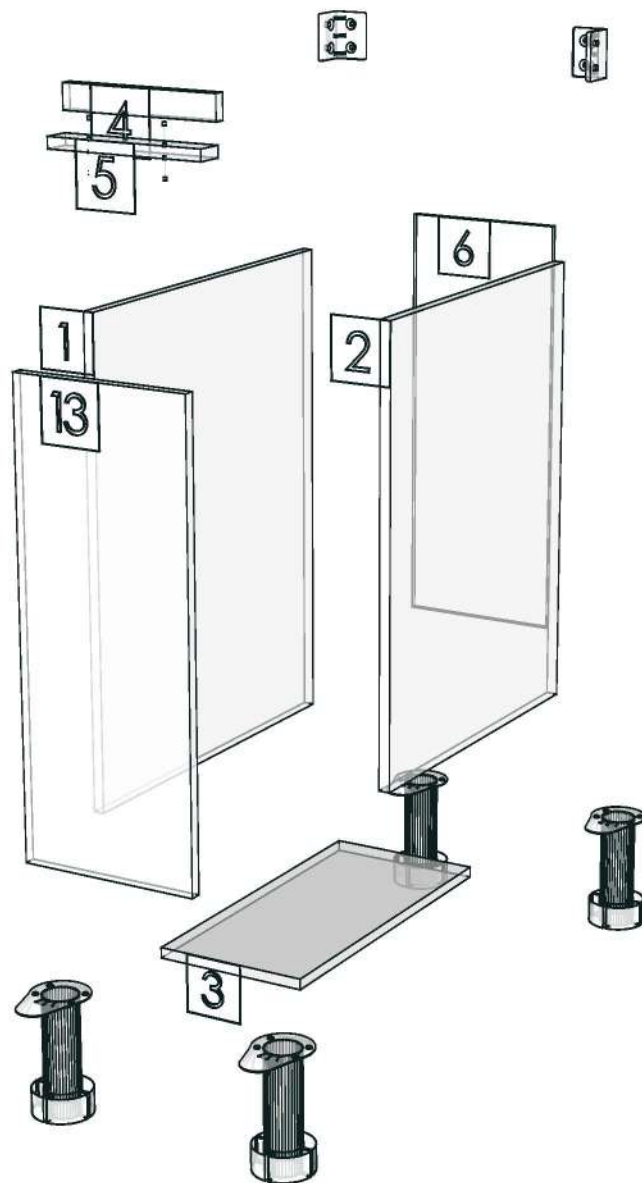
แผ่นขาว
บากรอง 13 ลึก 5
ไมขนาดเหลือ 5 มม.

K10R 160161347

เว้นหลัง 100



Model	-ROMM_CONVECT_DBD30L_1		
Creator	SUTTHI.P	.BCP Name	INDEX_C3D_KITCHENPAE
Reviewer		Order	O002683
Approves	<i>P. SAWA</i>	Date	02/08/2025



Model	ROMM_CONVECT_DBH601_1	.BCP Name	INDEX_C3D_KITCHENPAE
Creator	SUTTHI.P	Order	O002488
Reviewer		Date	06/06/2025
Approves	<i>P.SAWA</i>		

ROMM_CONVECT_DBH601_1-600X570X730

Colour

04.69=PB-E1 4'X8'T LAMINATE WILMIKA TEXT NO. W3125-16
04.691=ALVIC LUMAX-SPP/4'X10'X18MM.-BLANCO SUPPERMATT(LX8
04.692=PB-E1 4'X9'T. LAMINA WILMIKA TEXT NO. W3125-16
04.693=HPL WILMIKA NO. W3125-16/HPL.TD#9201 PL

Edge

01.405=1 DWK3125AT
01.4051=1 WHITE 01016

K5R 160152669

K15R 160152736

K6L 160160455

K18R 160161391

K10R 160161347

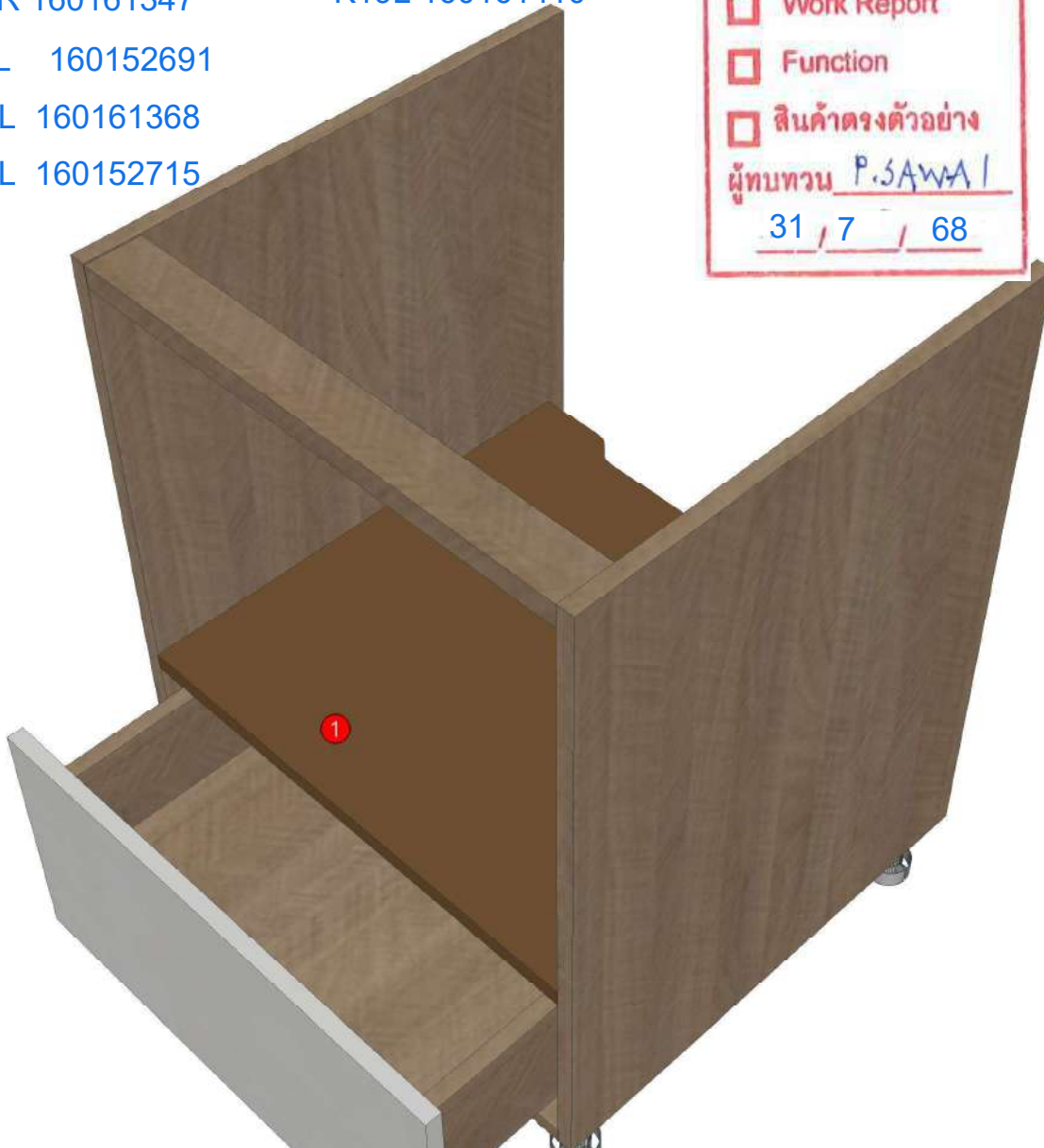
K19L 160161410

K11L 160152691

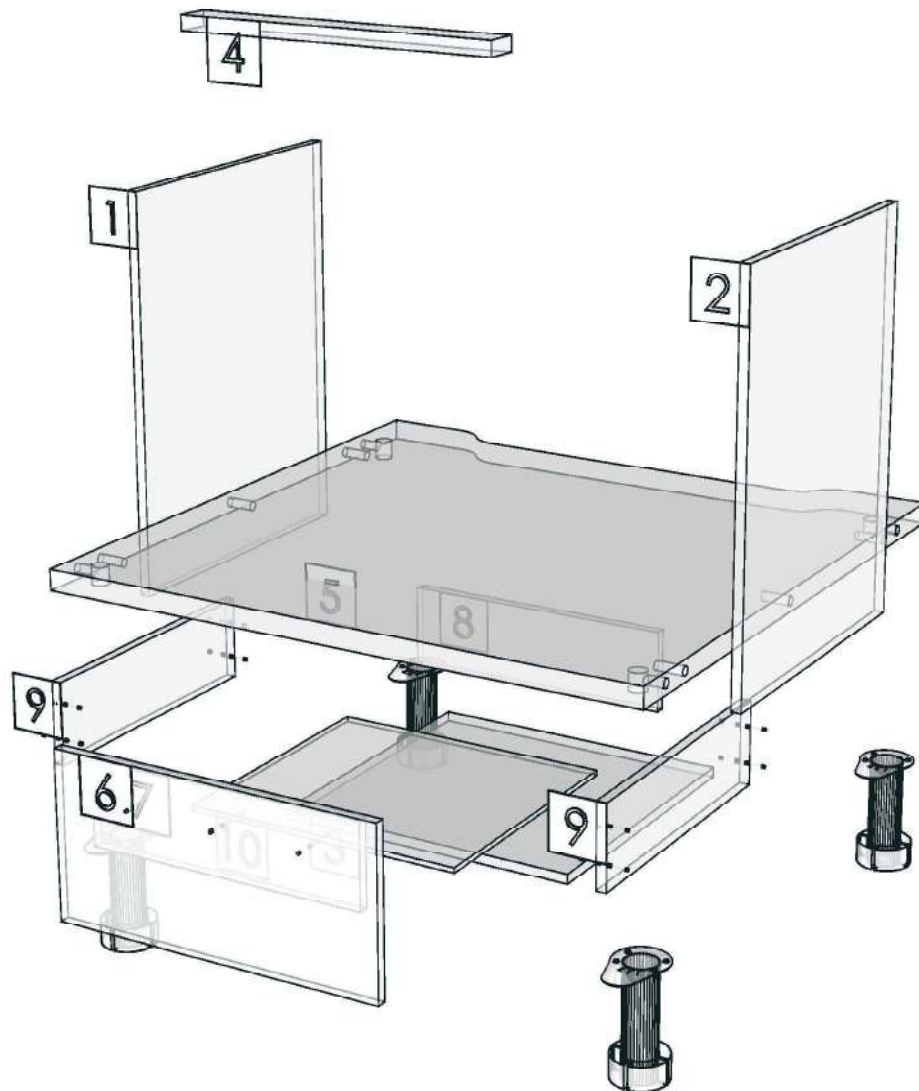
K13L 160161368

K14L 160152715

R&D REVIEW	
<input checked="" type="checkbox"/>	DWG.Customer
<input type="checkbox"/>	Work Report
<input type="checkbox"/>	Function
<input type="checkbox"/>	สินค้าตรงตัวอย่าง
ผู้ทบทวน <u>P.SAWA</u>	
<u>31 / 7 / 68</u>	



Model	-ROMM_CONVECT_DBH601_1		
Creator	SUTTHI.P	.BCP Name	INDEX_C3D_KITCHENPAE
Reviewer		Order	O002488
Approves	<i>P. SAWAI</i>	Date	06/06/2025



Model	ROMM_CONVECT_DBO75SL_1		
Creator	SUTTHI.P	.BCP Name	INDEX_C3D_KITCHENPAE
Reviewer		Order	0002684
Approves	<i>P. SAWA</i>	Date	02/08/2025

ROMM_CONVECT_DBO75SL_1-750X670X880

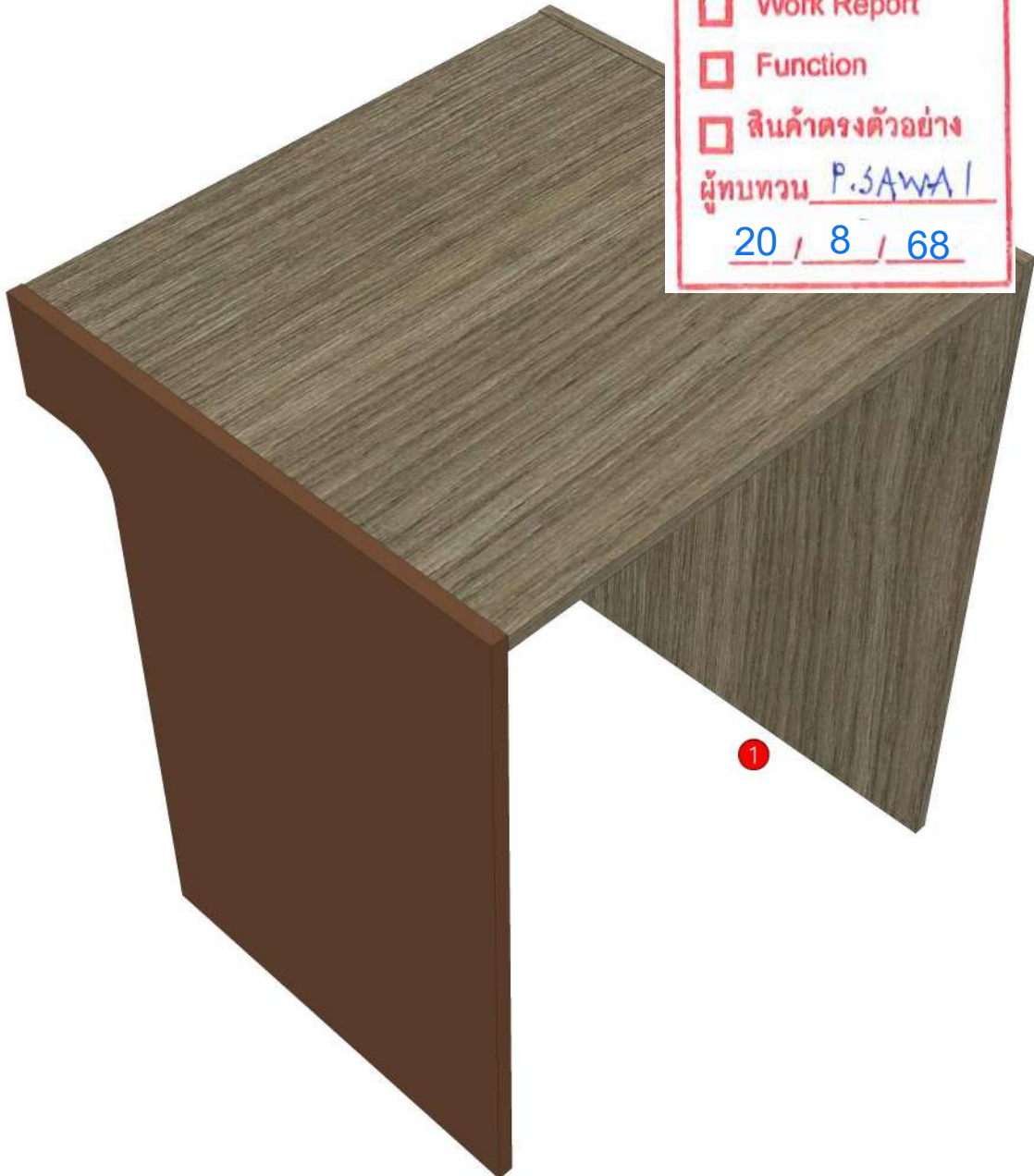
Colour

04.69=PB-E1 4'X8'T LAMINATE WILMIKA TEXT NO. W3125-16
04.691=ALVIC LUMAX-SPP/4'X10'X18MM.-BLANCO SUPPERMATT(LX8
04.692=PB-E1 4'X9'T. LAMINA WILMIKA TEXT NO. W3125-16
04.693=HPL WILMIKA NO. W3125-16/HPL.TD#9201 PL

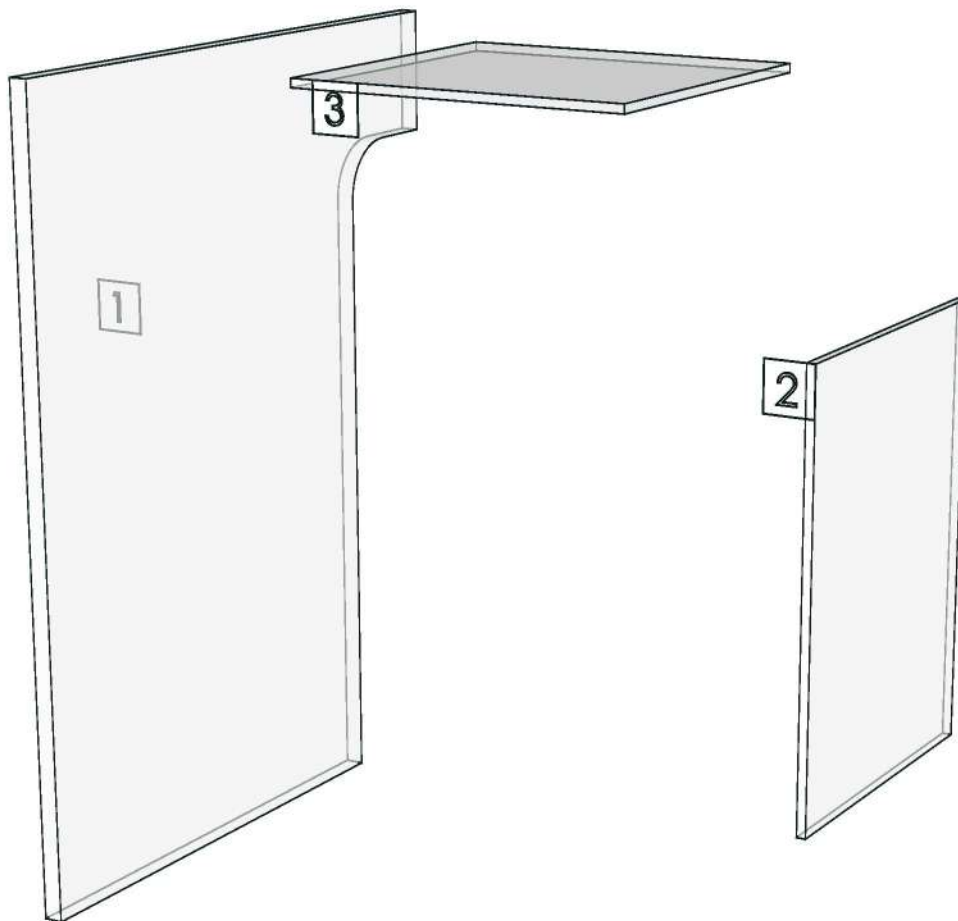
Edge

01.405=1 DWK3125AT
01.47=1 WHITE

K10R 160161347



Model	-ROMM_CONVECT_DBO75SL_1		
Creator	SUTTHI.P	.BCP Name	INDEX_C3D_KITCHENPAE
Reviewer		Order	0002684
Approves	<i>P. SAWA</i>	Date	02/08/2025



Model	ROMM_CONVECT_DBS100I_1		
Creator	SUTTHI.P	.BCP Name	INDEX_C3D_KITCHENPAE
Reviewer		Order	O002677
Approves	<i>P. SAWA</i>	Date	01/08/2025

ROMM_CONVECT_DBS100I_1-1000X570X760

Colour

04.69=PB-E1 4'X8'T LAMINATE WILMIKA TEXT NO. W3125-16
04.691=ALVIC LUMAX-SPP/4'X10'X18MM.-BLANCO SUPPERMATT(LX8)
04.692=PB-E1 4'X9'T. LAMINA WILMIKA TEXT NO. W3125-16
04.693=HPL WILMIKA NO. W3125-16/HPL.TD#9201 PL

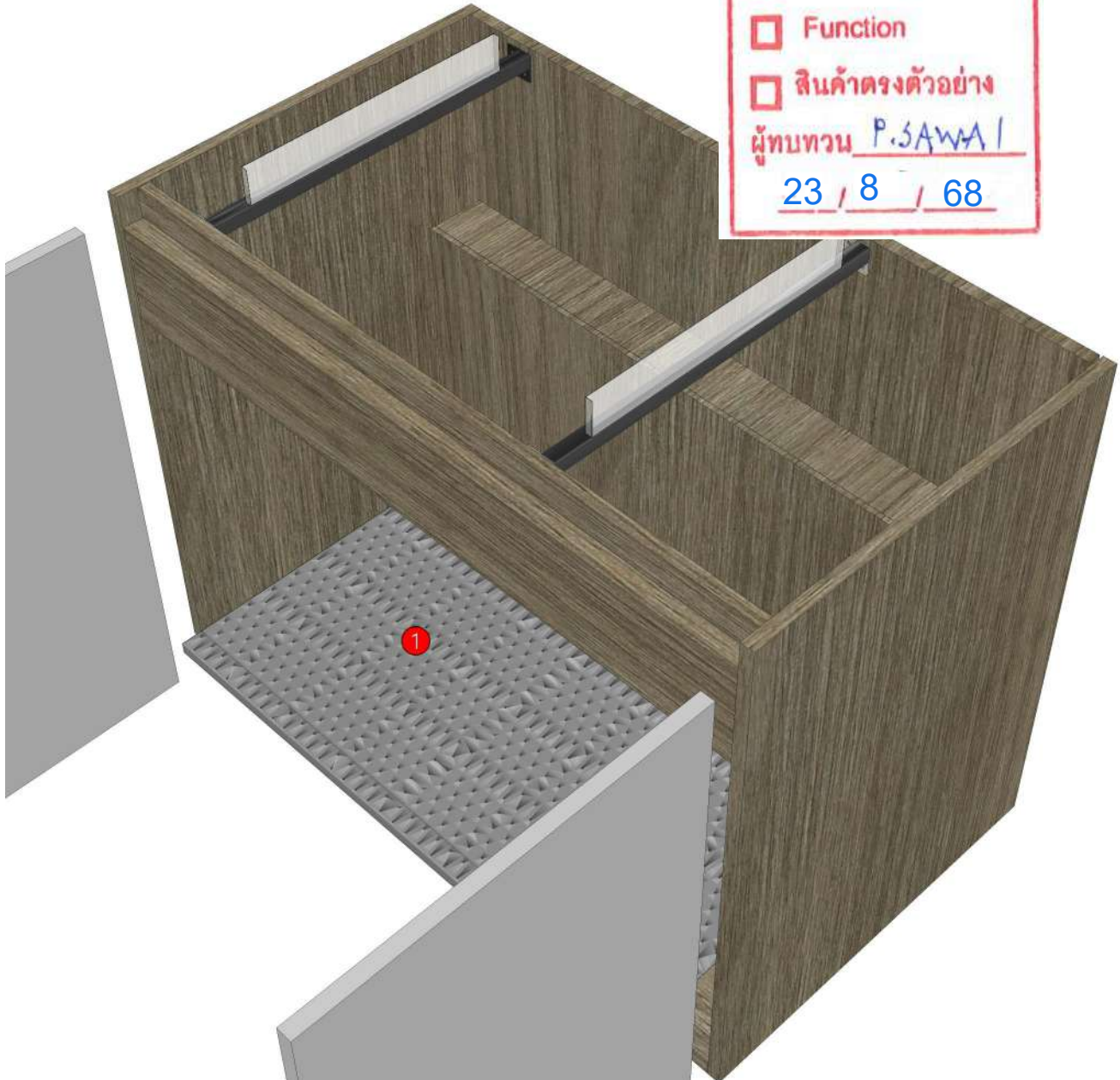
Edge

01.405=1 DWK3125AT
01.47=1 WHITE

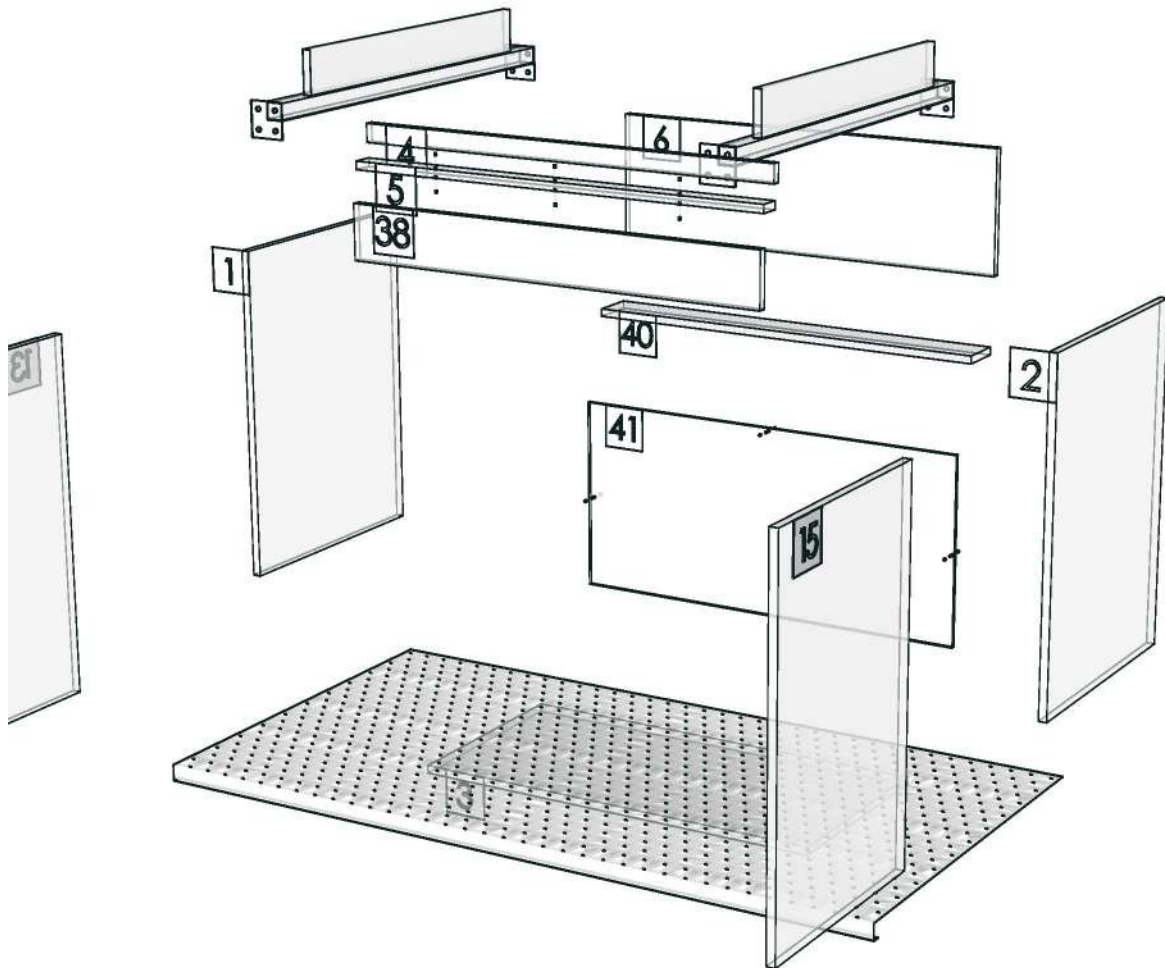
K10R 160161347

K13L 160161368

R&D REVIEW	
<input checked="" type="checkbox"/>	DWG.Customer
<input type="checkbox"/>	Work Report
<input type="checkbox"/>	Function
<input type="checkbox"/>	สินค้าตรงตัวอย่าง
ผู้ทบทวน <u>P.SAWA</u>	
<u>23 / 8 / 68</u>	



Model	-ROMM_CONVECT_DBS100I_1		
Creator	SUTTHI.P	.BCP Name	INDEX_C3D_KITCHENPAE
Reviewer		Order	O002677
Approves	<i>P. SAWA</i>	Date	01/08/2025



Model	ROMM_CONVECT_DDM_1315_9_1		
Creator	SUTTHI.P	.BCP Name	INDEX_C3D_KITCHENPAE
Reviewer		Order	O002734
Approves	P. SAWA	Date	12/08/2025

ROMM_CONVECT_DDM_1315_9_1-1315X9X365

Colour

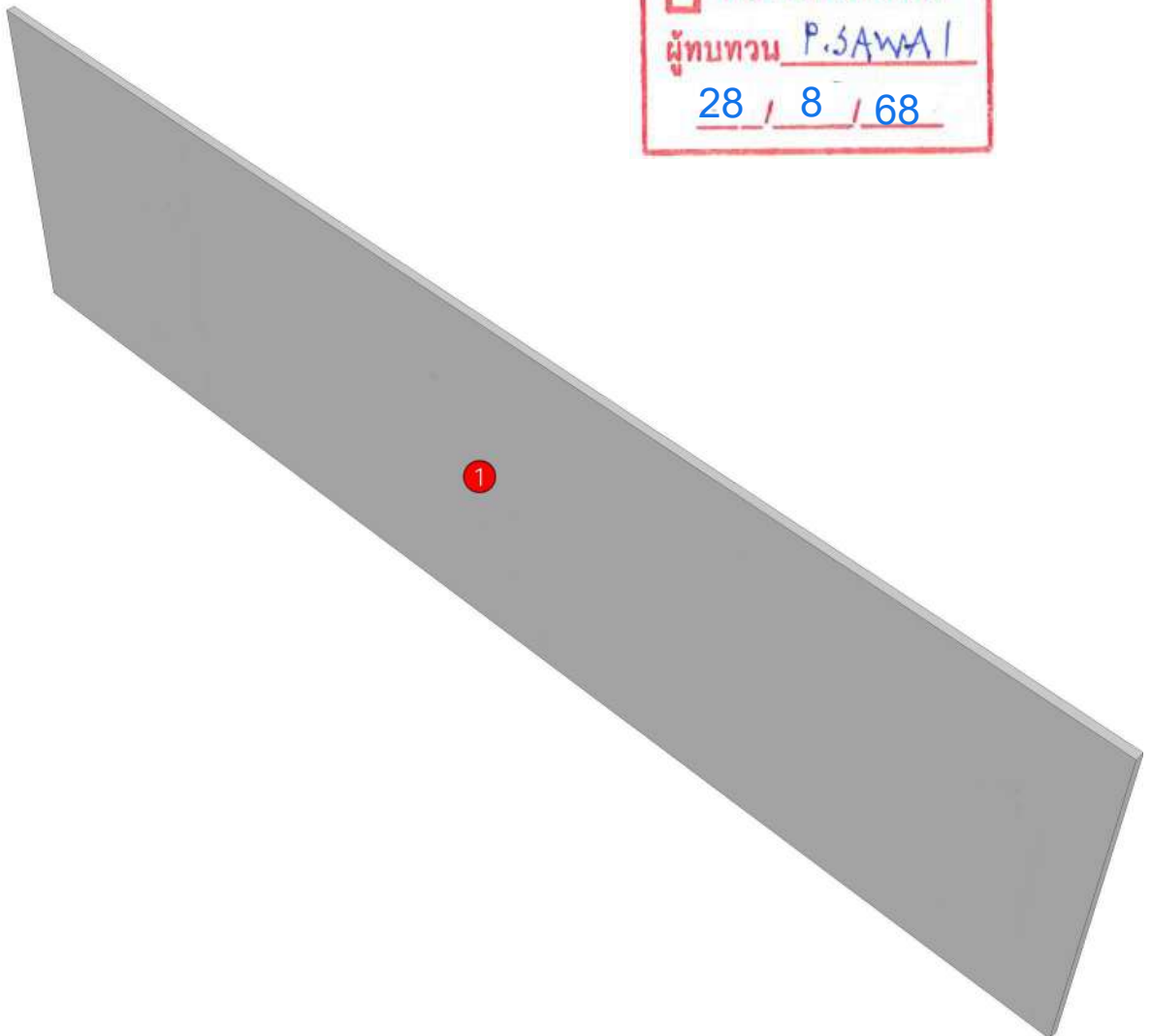
04.69=PB-E1 4'X8'T LAMINATE WILMIKA TEXT NO. W3125-16
04.691=ALVIC LUMAX-SPP/4'X10'X18MM.-BLANCO SUPPERMATT(LX8
05.01=ML WHITE VM1012 18/18

Edge

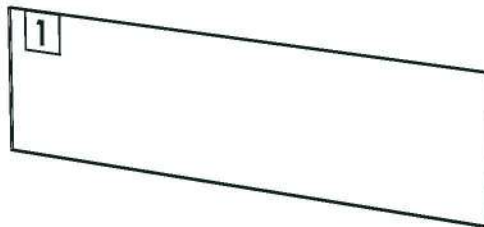
01.405=1 DWK3125AT
01.47=1 WHITE

K10R 160161347

R&D REVIEW	
<input checked="" type="checkbox"/>	DWG.Customer
<input type="checkbox"/>	Work Report
<input type="checkbox"/>	Function
<input type="checkbox"/>	สินค้าตรงตัวอย่าง
ผู้ทบทวน <u>P.SAWA</u>	
<u>28 / 8 / 68</u>	



Model	-ROMM_CONVECT_DDM_1315_9_1		
Creator	SUTTHI.P	.BCP Name	INDEX_C3D_KITCHENPAE
Reviewer		Order	0002734
Approves	P. SAWA	Date	12/08/2025



Model	ROMM_CONVECT_DDM_1325_6_1		
Creator	SUTTHI.P	.BCP Name	INDEX_C3D_KITCHENPAE
Reviewer		Order	0002735
Approves	P.SAWA	Date	12/08/2025

ROMM_CONVECT_DDM_1325_6_1-1325X6X375

Colour

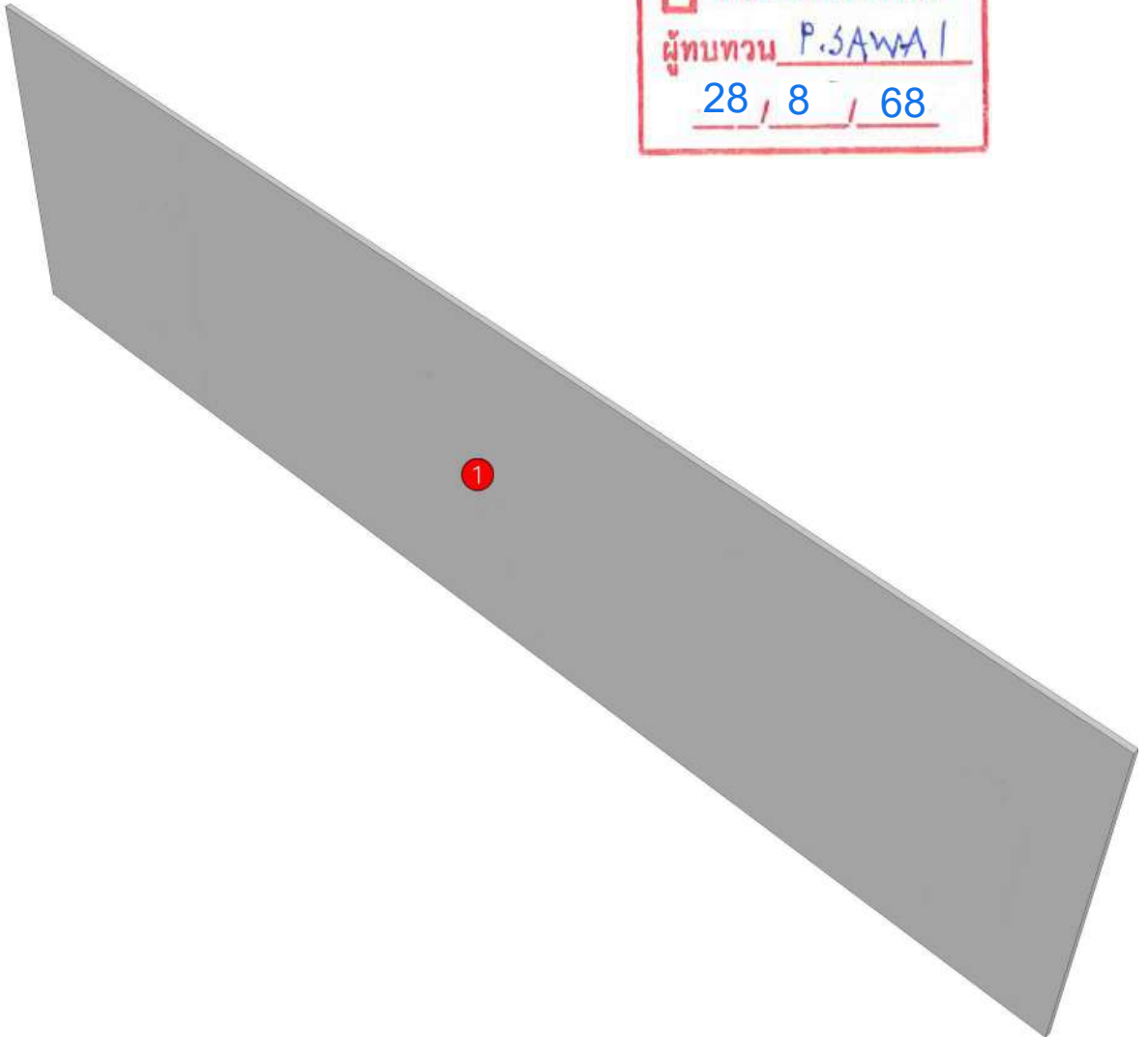
04.69=PB-E1 4'X8'T LAMINATE WILMIKA TEXT NO. W3125-16
04.691=ALVIC LUMAX-SPP/4'X10'X18MM.-BLANCO SUPPERMATT(LX8
03.13=PVC WHITE#630 T0.15MM.

Edge

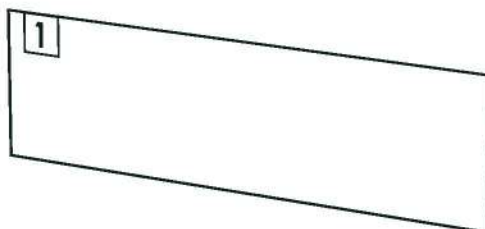
01.405=1 DWK3125AT
01.47=1 WHITE

K10R 160161347

R&D REVIEW	
<input checked="" type="checkbox"/>	DWG.Customer
<input type="checkbox"/>	Work Report
<input type="checkbox"/>	Function
<input type="checkbox"/>	สินค้าตรงตัวอย่าง
ผู้ทบทวน <u>P.SAWA</u>	
<u>28</u> / <u>8</u> / <u>68</u>	



Model	-ROMM_CONVECT_DDM_1325_6_1		
Creator	SUTTHI.P	.BCP Name	INDEX_C3D_KITCHENPAE
Reviewer		Order	0002735
Approves	P. SAWA	Date	12/08/2025



Model	ROMM_CONVECT_DDM_1750_1		
Creator	SUTTHI.P	.BCP Name	INDEX_C3D_KITCHENPAE
Reviewer		Order	O002741
Approves	P.SAWA	Date	13/08/2025

ROMM_CONVECT_DDM_1750_1-1750X18X135

Colour

04.69=PB-E1 4'X8'T LAMINATE WILMIKA TEXT NO. W3125-16
04.691=ALVIC LUMAX-SPP/4'X10'X18MM.-BLANCO SUPPERMATT(LX8)

Edge

01.405=1 DWK3125AT
01.47=1 WHITE

K10R 160161347

R&D REVIEW	
<input checked="" type="checkbox"/>	DWG.Customer
<input type="checkbox"/>	Work Report
<input type="checkbox"/>	Function
<input type="checkbox"/>	สินค้าตรงตัวอย่าง
ผู้ทบทวน <u>P.SAWA</u>	
<u>27 / 8 / 68</u>	



Model	-ROMM_CONVECT_DDM_1750_1		
Creator	SUTTHI.P	.BCP Name	INDEX_C3D_KITCHENPAE
Reviewer		Order	0002741
Approves	<i>P. SAWA</i>	Date	13/08/2025



Model	ROMM_CONVECT_DDM_300_1		
Creator	SUTTHI.P	.BCP Name	INDEX_C3D_KITCHENPAE
Reviewer		Order	O002752
Approves	<i>P. SAWA</i>	Date	13/08/2025

ROMM_CONVECT_DDM_300_1-300X18X135

Colour

04.69=PB-E1 4'X8'T LAMINATE WILMIKA TEXT NO. W3125-16
04.691=ALVIC LUMAX-SPP/4'X10'X18MM.-BLANCO SUPPERMATT(LX8)

Edge

01.405=1 DWK3125AT
01.47=1 WHITE

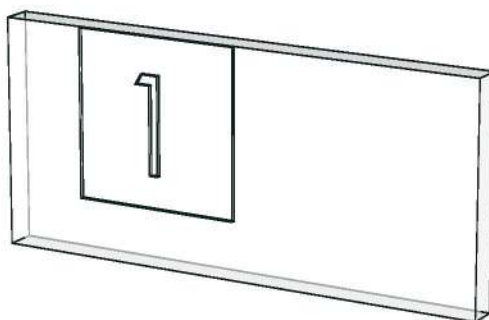
K10R 160161347

K18R 160161391

R&D REVIEW	
<input checked="" type="checkbox"/>	DWG.Customer
<input type="checkbox"/>	Work Report
<input type="checkbox"/>	Function
<input type="checkbox"/>	สินค้าตรงตัวอย่าง
ผู้ทบทวน <u>P.SAWA</u>	
<u>28 / 8 / 68</u>	



Model	-ROMM_CONVECT_DDM_300_1		
Creator	SUTTHI.P	.BCP Name	INDEX_C3D_KITCHENPAE
Reviewer		Order	0002752
Approves	P. SAWA	Date	13/08/2025



Model	ROMM_CONVECT_DEP_2020_1		
Creator	SUTTHI.P	.BCP Name	INDEX_C3D_KITCHENPAE
Reviewer		Order	0002756
Approves	<i>P.SAWA</i>	Date	13/08/2025

ROMM_CONVECT_DEP_2020_1-2020X18X860

Colour

04.69=PB-E1 4'X8'T LAMINATE WILMIKA TEXT NO. W3125-16
04.691=ALVIC LUMAX-SPP/4'X10'X18MM.-BLANCO SUPPERMATT(LX8)

Edge

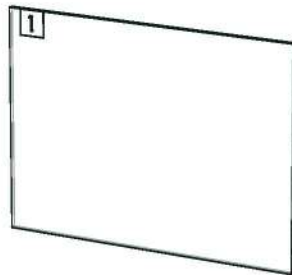
01.405=1 DWK3125AT
01.47=1 WHITE

K10R 160161347

R&D REVIEW	
<input checked="" type="checkbox"/>	DWG.Customer
<input type="checkbox"/>	Work Report
<input type="checkbox"/>	Function
<input type="checkbox"/>	สินค้าตรงตัวอย่าง
ผู้ทบทวน <u>P.SAWA</u>	
<u>28 / 8 / 68</u>	



Model	-ROMM_CONVECT_DEP_2020_1		
Creator	SUTTHI.P	.BCP Name	INDEX_C3D_KITCHENPAE
Reviewer		Order	0002756
Approves	<i>P. SAWA</i>	Date	13/08/2025



Model	ROMM_CONVECT_DEP_800I_1		
Creator	SUTTHI.P	.BCP Name	INDEX_C3D_KITCHENPAE
Reviewer		Order	O002759
Approves	<i>P.SAWA</i>	Date	13/08/2025

ROMM_CONVECT_DEP_800I_1-800X12X860

Colour

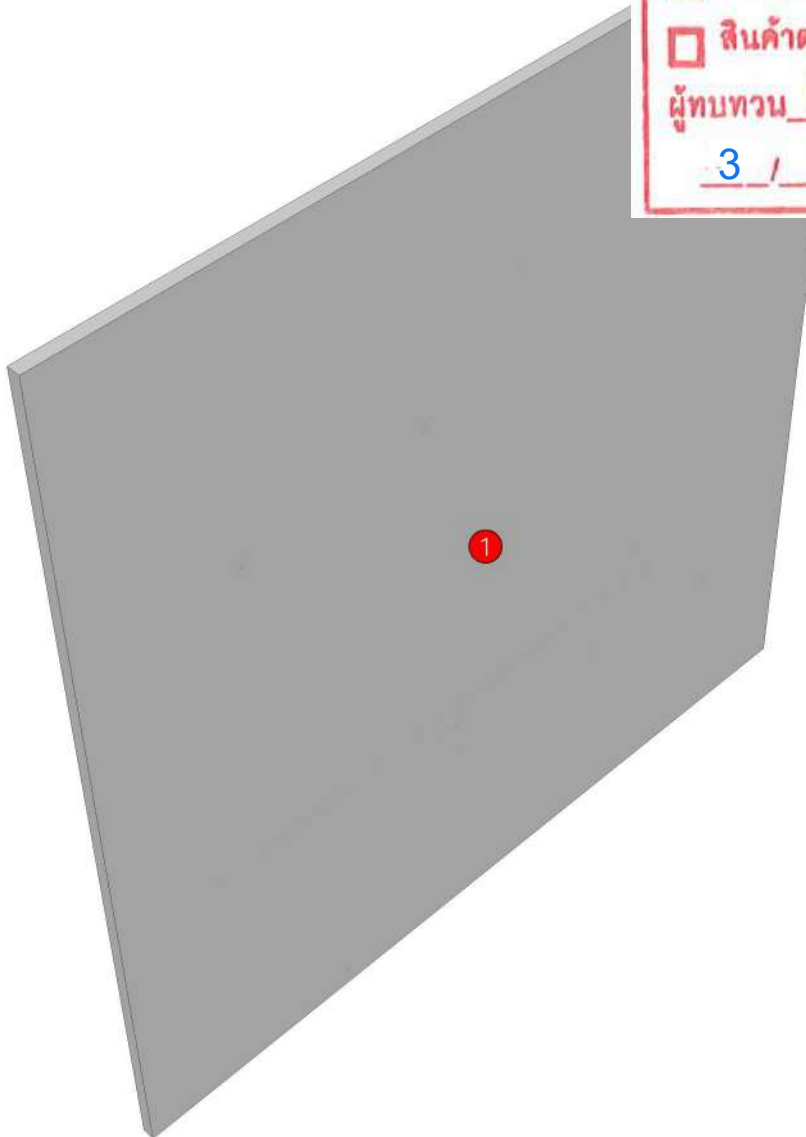
04.69=PB-E1 4'X8'T LAMINATE WILMIKA TEXT NO. W3125-16
04.691=ALVIC LUMAX-SPP/4'X10'X18MM.-BLANCO SUPPERMATT(LX8
05.01=ML WHITE VM1012 18/18

Edge

01.405=1 DWK3125AT
01.4051=1 WHITE 01016
01.47=1 WHITE

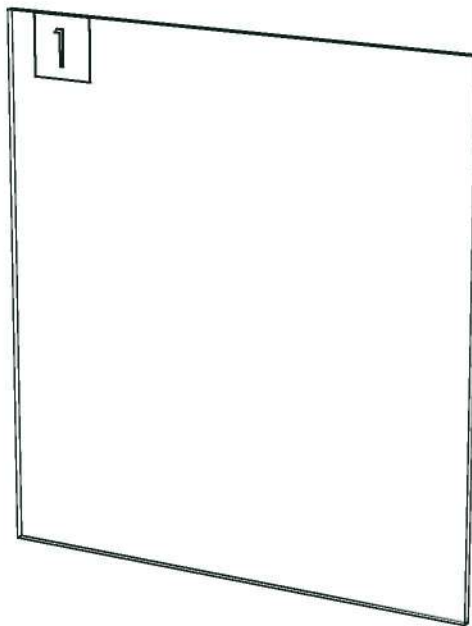
K10R 160161347

K13L 160161368



R&D REVIEW	
<input checked="" type="checkbox"/>	DWG.Customer
<input type="checkbox"/>	Work Report
<input type="checkbox"/>	Function
<input type="checkbox"/>	สินค้าตรงตัวอย่าง
ผู้ทบทวน <u>P.SAWA</u>	
<u>3 / 9 / 68</u>	

Model	-ROMM_CONVECT_DEP_800I_1		
Creator	SUTTHI.P	.BCP Name	INDEX_C3D_KITCHENPAE
Reviewer		Order	0002759
Approves	P. SAWA	Date	13/08/2025



Model	ROMM_CONVECT_DFCL_1900_1		
Creator	SUTTHI.P	.BCP Name	INDEX_C3D_KITCHENPAE
Reviewer		Order	0002762
Approves	P.SAWA	Date	13/08/2025

ROMM_CONVECT_DFCL_1900_1-1900X9X100

Colour

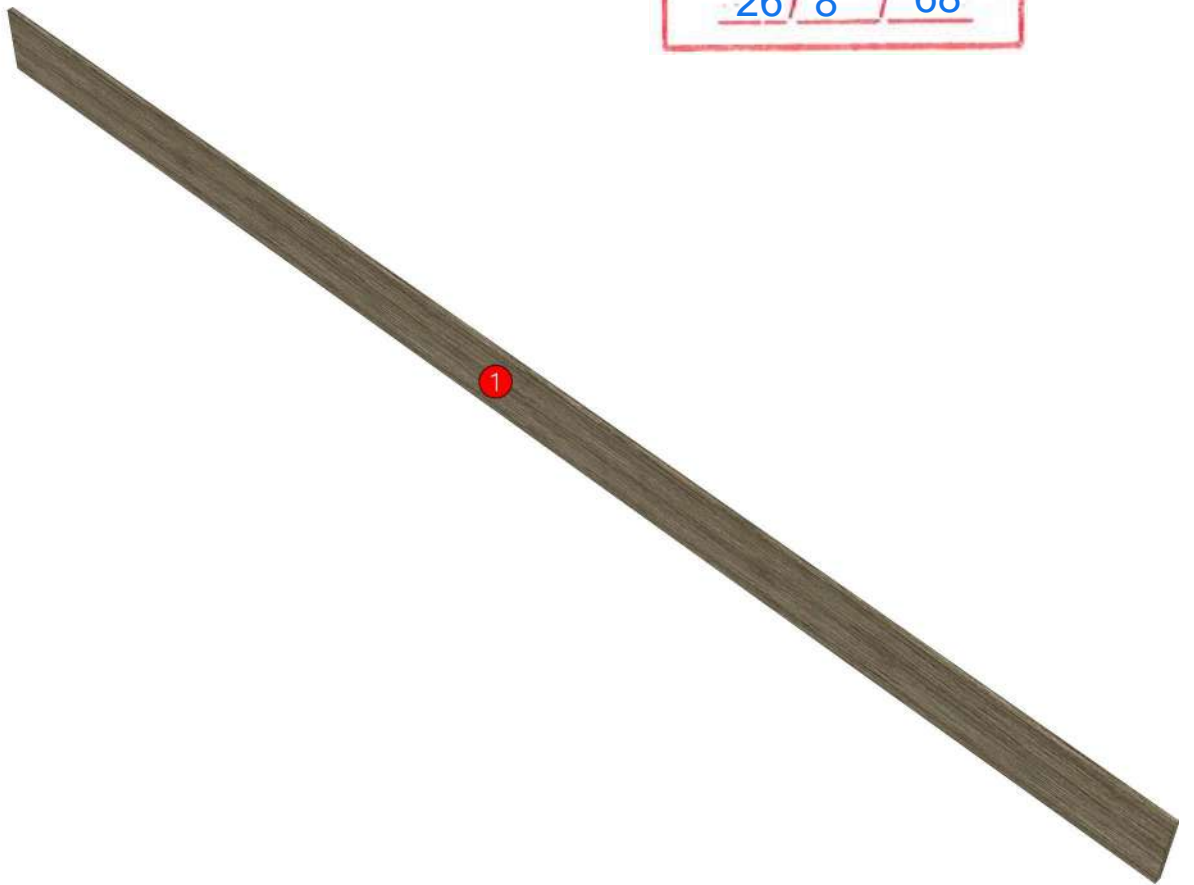
04.69=PB-E1 4'X8'T LAMINATE WILMIKA TEXT NO. W3125-16
04.691=ALVIC LUMAX-SPP/4'X10'X18MM.-BLANCO SUPPERMATT(LX8)

Edge

01.405=1 DWK3125AT
01.47=1 WHITE

K10R 160161347

R&D REVIEW	
<input checked="" type="checkbox"/>	DWG.Customer
<input type="checkbox"/>	Work Report
<input type="checkbox"/>	Function
<input type="checkbox"/>	สินค้าตรงตัวอย่าง
ผู้ทบทวน <u>P.SAWA</u>	
<u>26 / 8 / 68</u>	



Model	-ROMM_CONVECT_DFCL_1900_1		
Creator	SUTTHI.P	.BCP Name	INDEX_C3D_KITCHENPAE
Reviewer		Order	0002762
Approves	<i>P. SAWA</i>	Date	13/08/2025



Model	ROMM_CONVECT_DFCL_330_1		
Creator	SUTTHI.P	.BCP Name	INDEX_C3D_KITCHENPAE
Reviewer		Order	O002624
Approves	P. SAWA	Date	09/07/2025

ROMM_CONVECT_DFCL_330_1-330X9X100

Colour

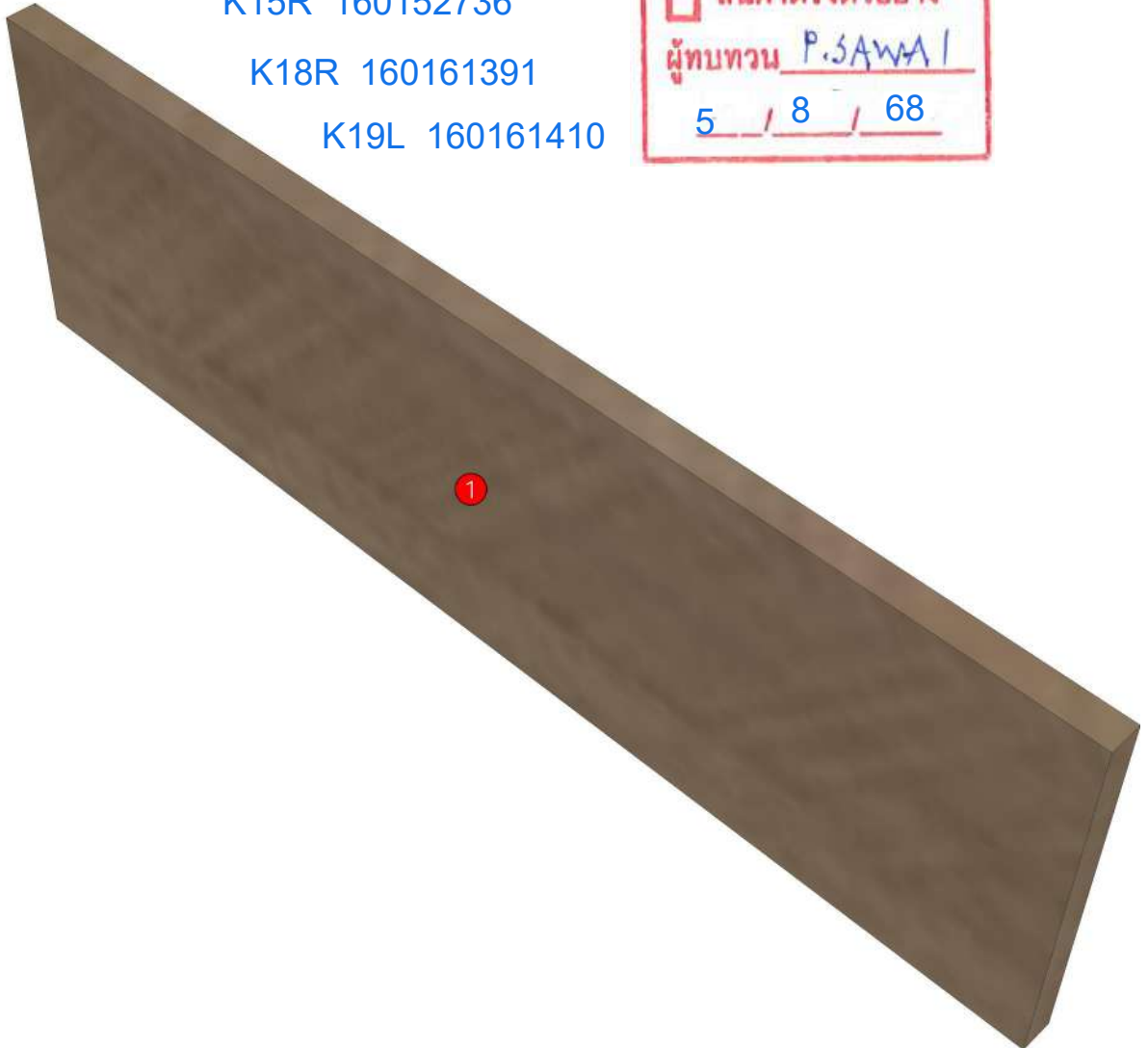
04.69=PB-E1 4'X8'T LAMINATE WILMIKA TEXT NO. W3125-16
04.691=ALVIC LUMAX-SPP/4'X10'X18MM.-BLANCO SUPPERMATT(LX8)

Edge

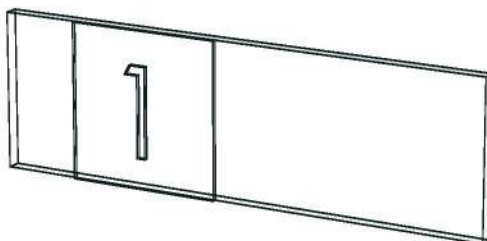
01.405=1 DWK3125AT
01.4051=1 WHITE 01016

K1R 160160423 K6L 160160455
K3R 160161323 K10R 160161347
K4L 160166148 K13L 160161368
K5R 160152669 K14L 160152715
K15R 160152736
K18R 160161391
K19L 160161410

R&D REVIEW	
<input checked="" type="checkbox"/>	DWG.Customer
<input type="checkbox"/>	Work Report
<input type="checkbox"/>	Function
<input type="checkbox"/>	สินค้าตรงตัวอย่าง
ผู้ทบทวน <u>P.SAWA</u>	
5 / 8 / 68	



Model	-ROMM_CONVECT_DFCL_330_1		
Creator	SUTTHI.P	.BCP Name	INDEX_C3D_KITCHENPAE
Reviewer		Order	0002624
Approves	<i>P. SAWA</i>	Date	09/07/2025



Model	ROMM_CONVECT_DFLR_1010_1		
Creator	SUTTHI.P	.BCP Name	INDEX_C3D_KITCHENPAE
Reviewer		Order	0002768
Approves	<i>P.SAWA</i>	Date	13/08/2025

ROMM_CONVECT_DFLR_1010_1-1010X310X18

Colour

04.69=PB-E1 4'X8'T LAMINATE WILMIKA TEXT NO. W3125-16
04.691=ALVIC LUMAX-SPP/4'X10'X18MM.-BLANCO SUPPERMATT(LX8)

Edge

01.405=1 DWK3125AT
01.47=1 WHITE

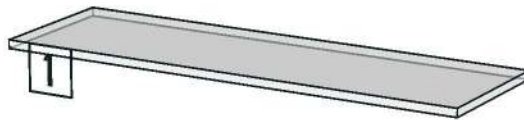
K10R 160161347

K13L 160161368

R&D REVIEW	
<input checked="" type="checkbox"/>	DWG.Customer
<input type="checkbox"/>	Work Report
<input type="checkbox"/>	Function
<input type="checkbox"/>	สินค้าตรงตัวอย่าง
ผู้ทบทวน <u>P.SAWA</u>	
<u>9</u> / <u>9</u> / <u>68</u>	



Model	-ROMM_CONVECT_DFLR_1010_1		
Creator	SUTTHI.P	.BCP Name	INDEX_C3D_KITCHENPAE
Reviewer		Order	0002768
Approves	<i>P. SAWA</i>	Date	13/08/2025



Model	ROMM_CONVECT_DFL_1		
Creator	SUTTHI.P	.BCP Name	INDEX_C3D_KITCHENPAE
Reviewer		Order	O002629
Approves	<i>P. SAWA</i>	Date	09/07/2025

ROMM_CONVECT_DFL_1-150X18X800

Colour

04.69=PB-E1 4'X8'T LAMINATE WILMIKA TEXT NO. W3125-16
04.691=ALVIC LUMAX-SPP/4'X10'X18MM.-BLANCO SUPPERMATT(LX8
05.01=ML WHITE VM1012 18/18

Edge

01.405=1 DWK3125AT
01.4051=1 WHITE 01016
01.47=1 WHITE

K1R 160160423

K2R 160160436

K3R 160161323

K4L 160166148

K6L 160160455

K10R 160161347

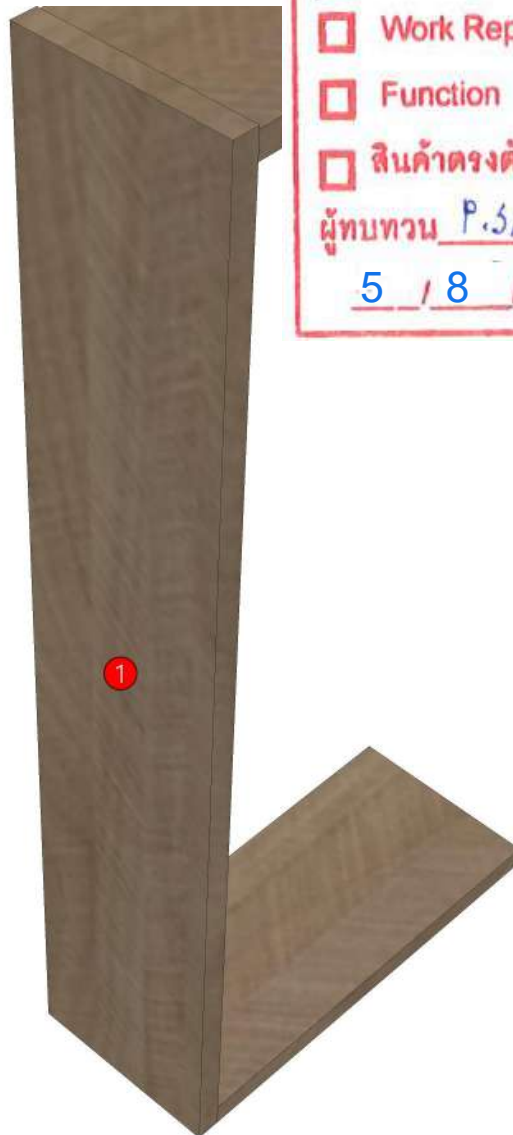
K11L 160152691

K13L 160161368

K15R 160152736

K18R 160161391

K19L 160161410



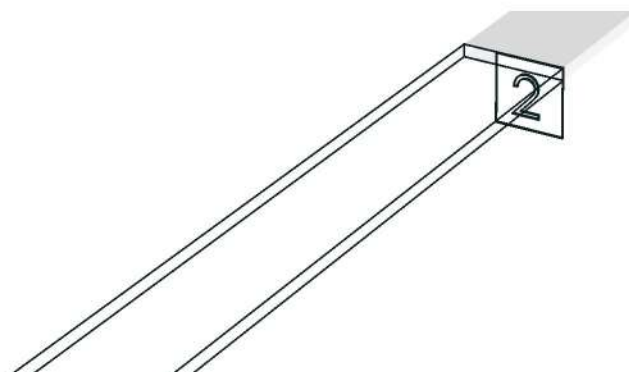
R&D REVIEW

- DWG.Customer
- Work Report
- Function
- สินค้าตรงตัวอย่าง

ผู้ทบทวน P.SAWA

5 / 8 / 68

Model	-ROMM_CONVECT_DFL_1		
Creator	SUTTHI.P	.BCP Name	INDEX_C3D_KITCHENPAE
Reviewer		Order	0002629
Approves	<i>P. SAWA</i>	Date	09/07/2025



Model	ROMM_CONVECT_DL105_1		
Creator	SUTTHI.P	.BCP Name	INDEX_C3D_KITCHENPAE
Reviewer		Order	O002698
Approves	<i>P.SAWA</i>	Date	07/08/2025

ROMM_CONVECT_DL105_1-1050X330X700

Colour

04.69=PB-E1 4'X8'T LAMINATE WILMIKA TEXT NO. W3125-16
04.691=ALVIC LUMAX-SPP/4'X10'X18MM.-BLANCO SUPPERMATT(LX8
04.692=PB-E1 4'X9'T. LAMINA WILMIKA TEXT NO. W3125-16
04.693=HPL WILMIKA NO. W3125-16/HPL.TD#9201 PL

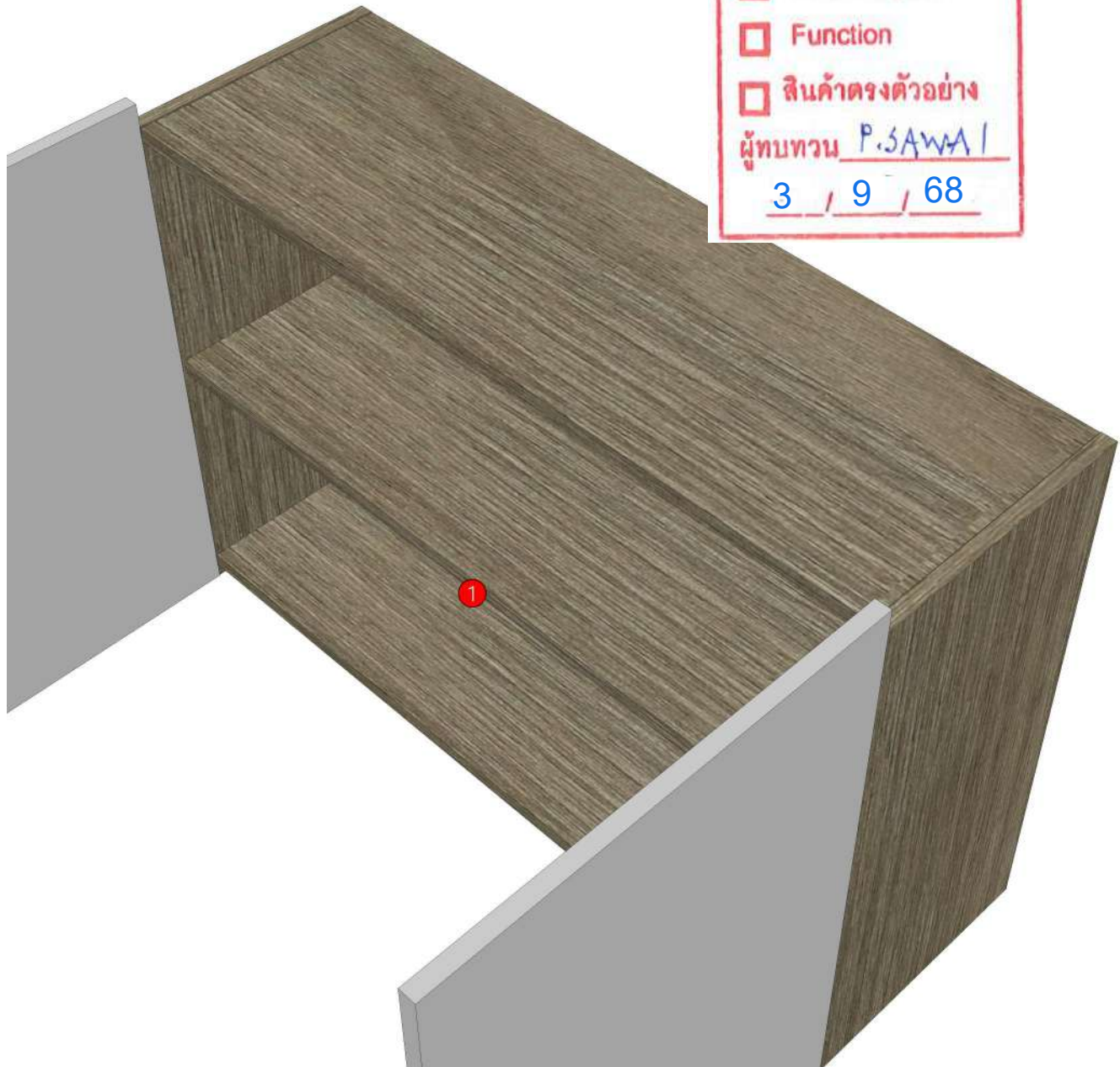
Edge

01.405=1 DWK3125AT
01.47=1 WHITE

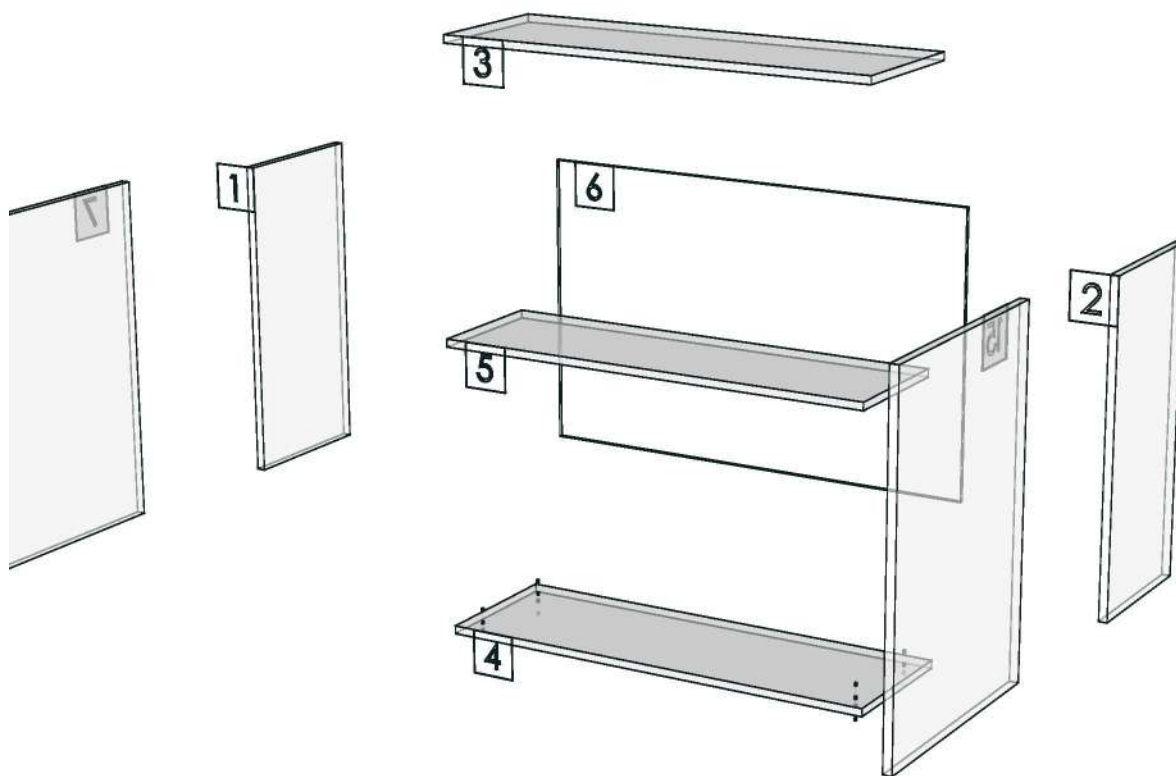
K10R 160161347

K13L 160161368

R&D REVIEW	
<input checked="" type="checkbox"/>	DWG.Customer
<input type="checkbox"/>	Work Report
<input type="checkbox"/>	Function
<input type="checkbox"/>	สินค้าตรงตัวอย่าง
ผู้ทบทวน <u>P.SAWA</u>	
<u>3 / 9 / 68</u>	



Model	-ROMM_CONVECT_DL105_1		
Creator	SUTTHI.P	.BCP Name	INDEX_C3D_KITCHENPAE
Reviewer		Order	0002698
Approves	<i>P. SAWA</i>	Date	07/08/2025



Model	ROMM_CONVECT_DL1145R_1		
Creator	SUTTHI.P	.BCP Name	INDEX_C3D_KITCHENPAE
Reviewer		Order	0002699
Approves	<i>P.SAWA</i>	Date	07/08/2025

ROMM_CONVECT_DL1145R_1-1145X330X700

Colour

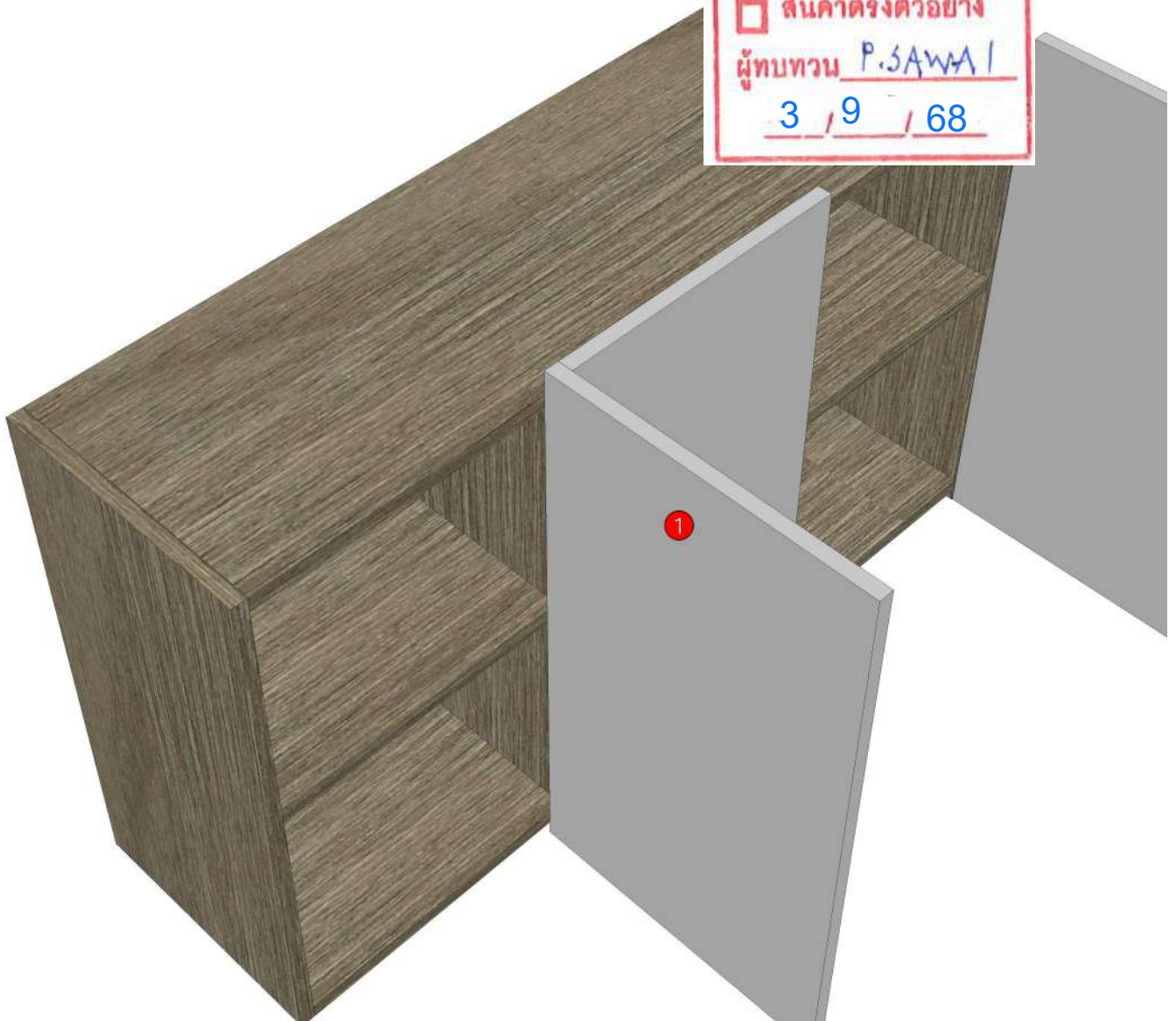
04.69=PB-E1 4'X8'T LAMINATE WILMIKA TEXT NO. W3125-16
04.691=ALVIC LUMAX-SPP/4'X10'X18MM.-BLANCO SUPPERMATT(LX8
04.692=PB-E1 4'X9'T. LAMINA WILMIKA TEXT NO. W3125-16
04.693=HPL WILMIKA NO. W3125-16/HPL.TD#9201 PL

Edge

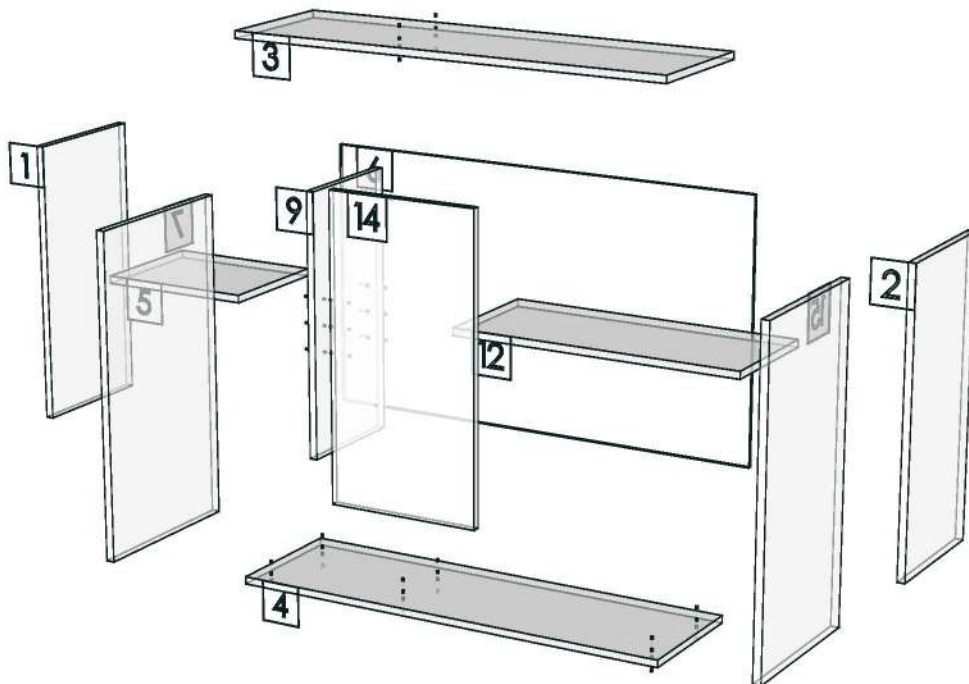
01.405=1 DWK3125AT
01.47=1 WHITE

K10R 160161347

R&D REVIEW	
<input checked="" type="checkbox"/>	DWG.Customer
<input type="checkbox"/>	Work Report
<input type="checkbox"/>	Function
<input type="checkbox"/>	สินค้าตรงตัวอย่าง
ผู้ทบทวน <u>P.SAWA</u>	
<u>3 / 9 / 68</u>	



Model	-ROMM_CONVECT_DL1145R_1		
Creator	SUTTHI.P	.BCP Name	INDEX_C3D_KITCHENPAE
Reviewer		Order	0002699
Approves	<i>P. SAWA</i>	Date	07/08/2025



Model	ROMM_CONVECT_DL30LL_1		
Creator	SUTTHI.P	.BCP Name	INDEX_C3D_KITCHENPAE
Reviewer		Order	O002701
Approves	<i>P. SAWA</i>	Date	08/08/2025

ROMM_CONVECT_DL30LL_1-300X330X700

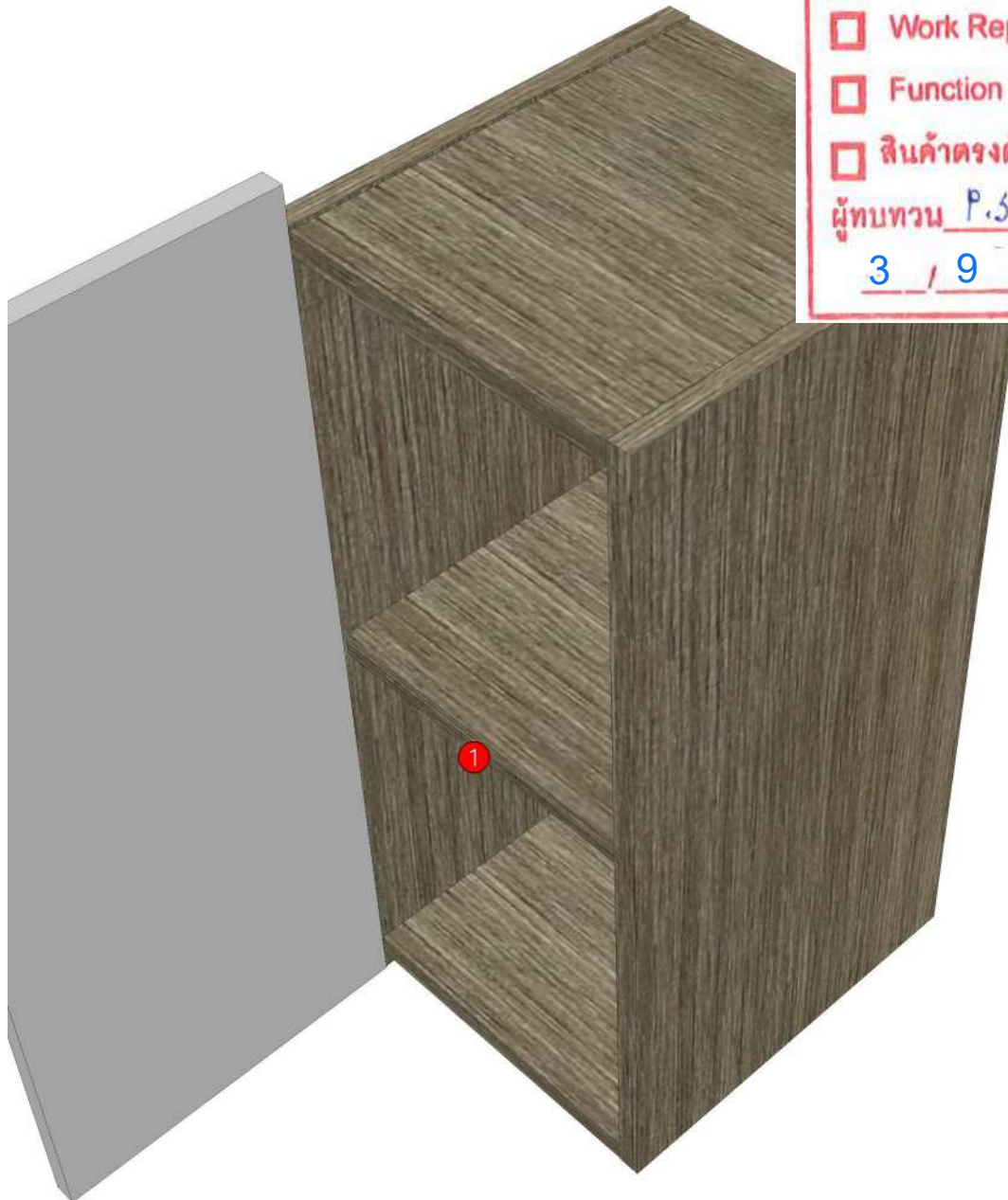
Colour

04.69=PB-E1 4'X8'T LAMINATE WILMIKA TEXT NO. W3125-16
04.691=ALVIC LUMAX-SPP/4'X10'X18MM.-BLANCO SUPPERMATT(LX8)
04.692=PB-E1 4'X9'T. LAMINA WILMIKA TEXT NO. W3125-16
04.693=HPL WILMIKA NO. W3125-16/HPL.TD#9201 PL
05.01=ML WHITE VM1012 18/18

Edge

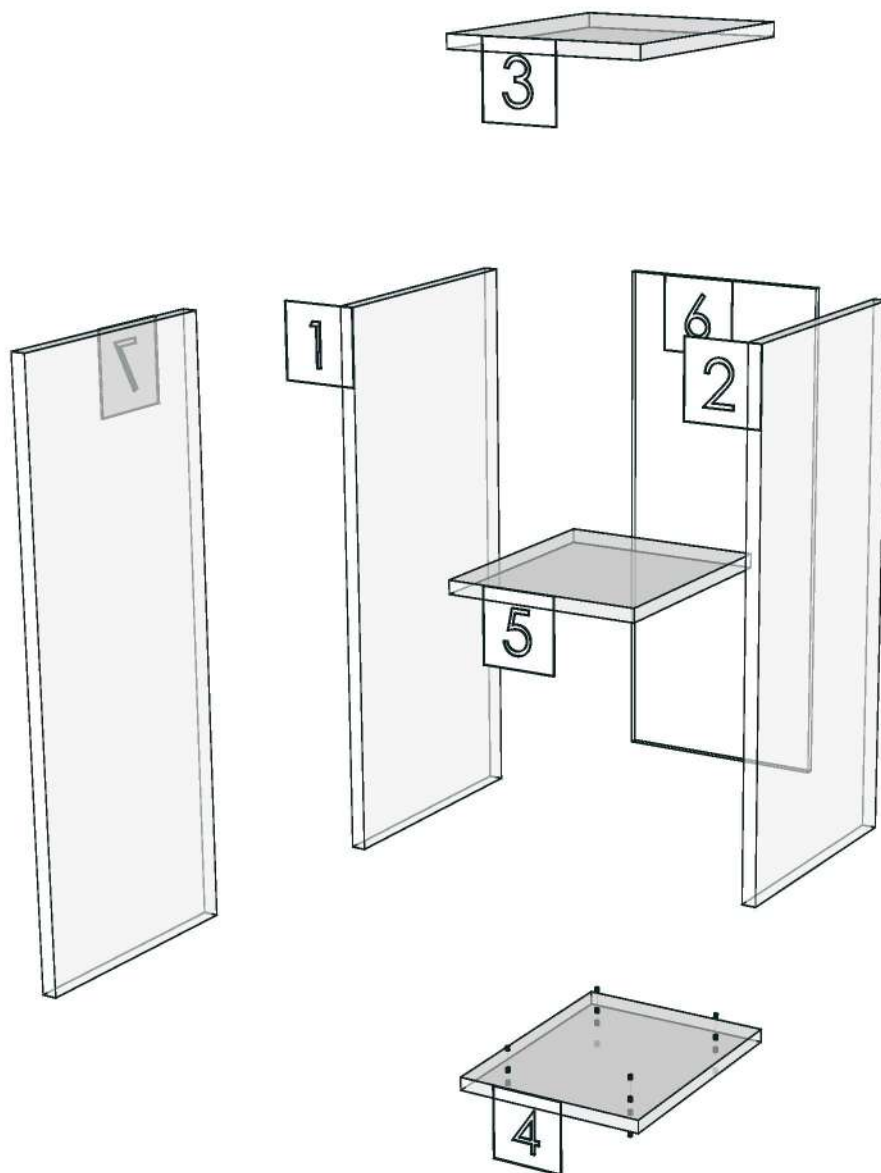
01.405=1 DWK3125AT
01.47=1 WHITE

K10R 160161347



R&D REVIEW	
<input checked="" type="checkbox"/>	DWG.Customer
<input type="checkbox"/>	Work Report
<input type="checkbox"/>	Function
<input type="checkbox"/>	สินค้าตรงตัวอย่าง
ผู้ทบทวน <u>P.SAWA</u>	
<u>3 / 9 / 68</u>	

Model	-ROMM_CONVECT_DL30LL_1		
Creator	SUTTHI.P	.BCP Name	INDEX_C3D_KITCHENPAE
Reviewer		Order	O002701
Approves	<i>P. SAWA</i>	Date	08/08/2025



Model	ROMM_CONVECT_DL605R_1		
Creator	SUTTHI.P	.BCP Name	INDEX_C3D_KITCHENPAE
Reviewer		Order	O002517
Approves	<i>P.SAWA</i>	Date	09/06/2025

ROMM_CONVECT_DL605R_1-605X330X680

Colour

04.69=PB-E1 4'X8'T LAMINATE WILMIKA TEXT NO. W3125-16
 04.691=ALVIC LUMAX-SPP/4'X10'X18MM.-BLANCO SUPPERMATT(LX8)
 04.692=PB-E1 4'X9'T. LAMINA WILMIKA TEXT NO. W3125-16
 04.693=HPL WILMIKA NO. W3125-16/HPL.TD#9201 PL

Edge

01.405=1 DWK3125AT
 01.4051=1 WHITE 01016

- K1R 160160423 K11L 160152691
- K2R 160160436 K18R 160161391
- K3R 160161323 K19L 160161410

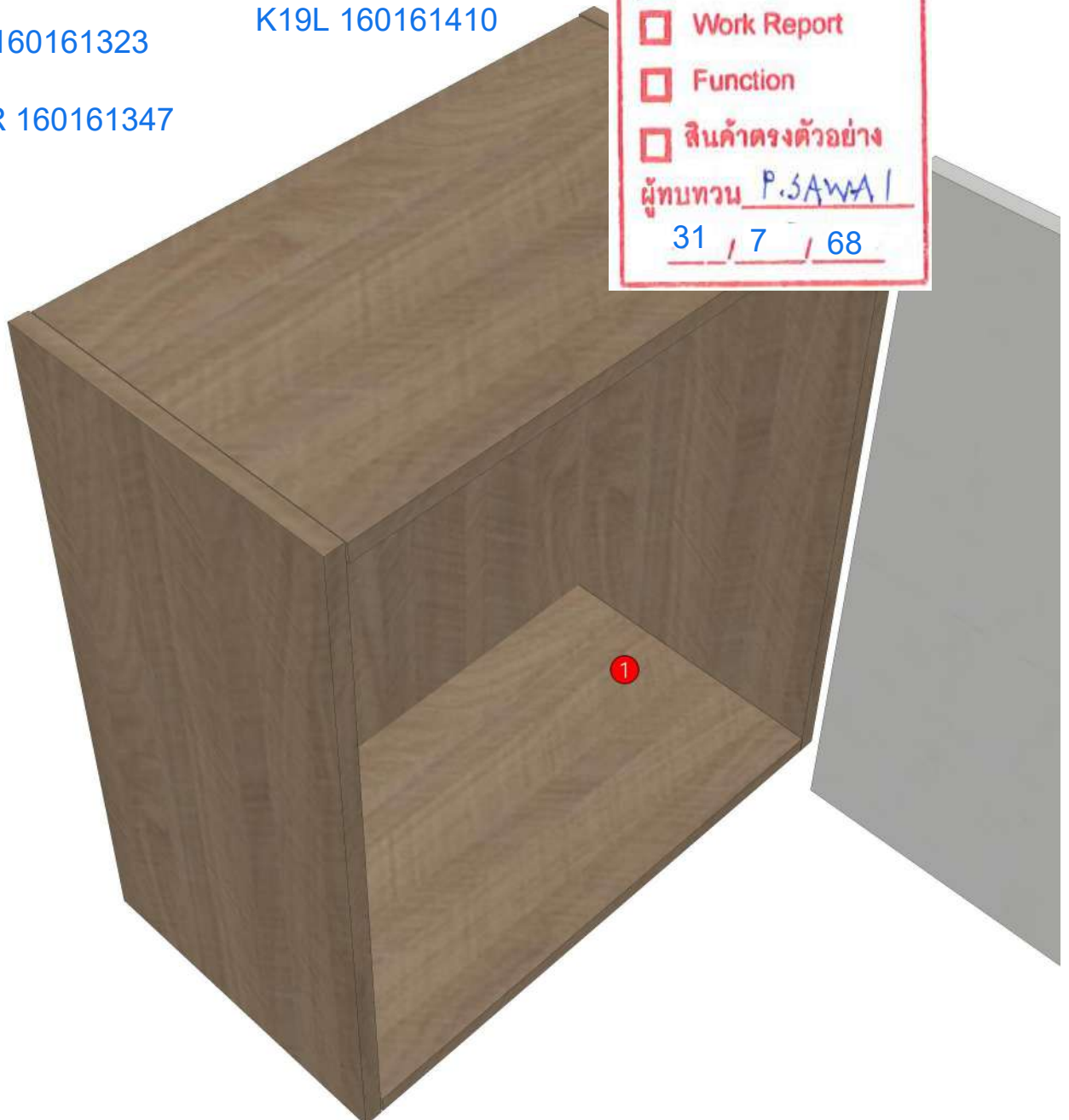
- K10R 160161347

R&D REVIEW

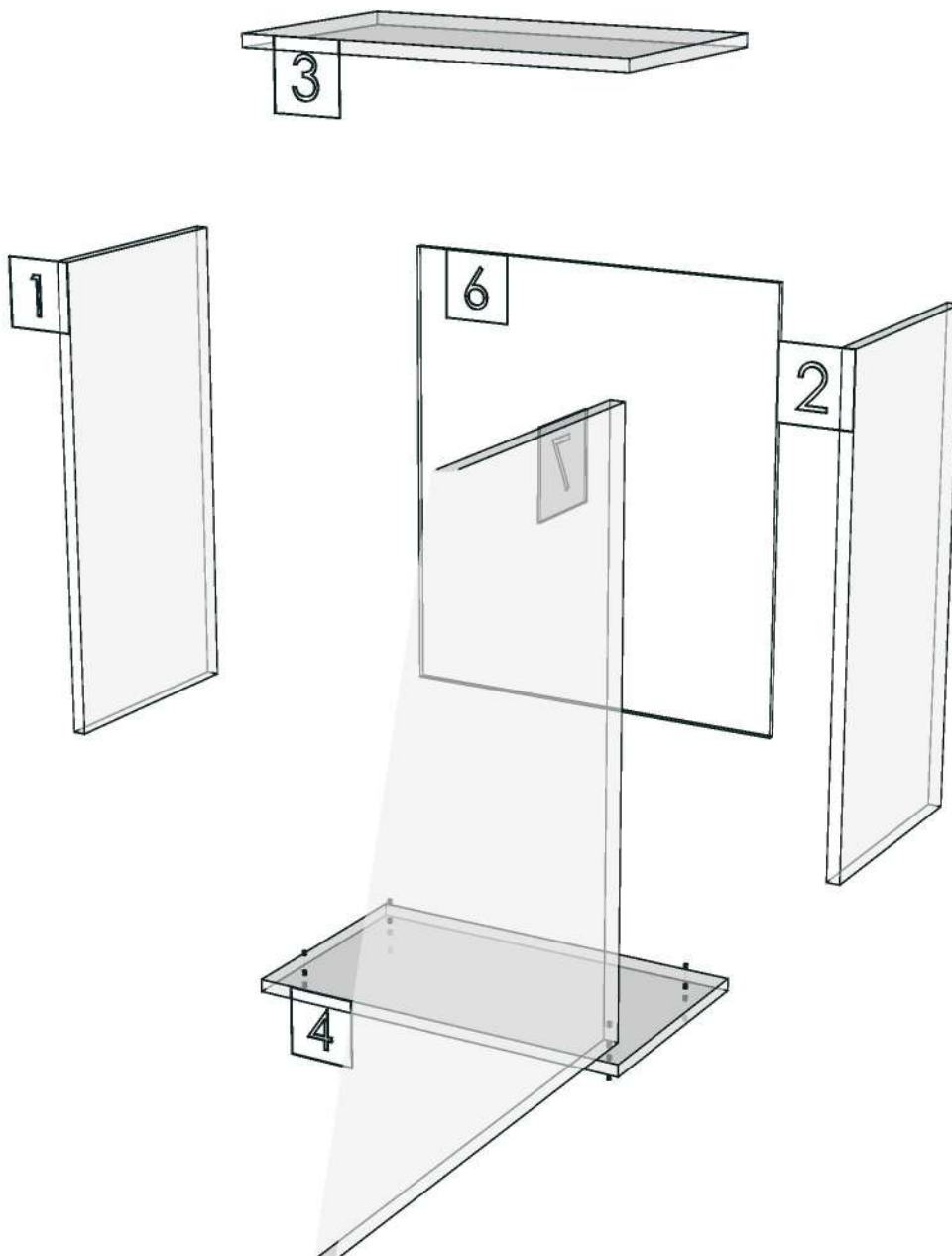
- DWG.Customer
- Work Report
- Function
- สินค้าตรงตัวอย่าง

ผู้ทบทวน P.SAWA

31 / 7 / 68



Model	-ROMM_CONVECT_DL605R_1		
Creator	SUTTHI.P	.BCP Name	INDEX_C3D_KITCHENPAE
Reviewer		Order	0002517
Approves	<i>P. SAWA</i>	Date	09/06/2025



Model	ROMM_CONVECT_DL60HR_SR_1		
Creator	SUTTHI.P	.BCP Name	INDEX_C3D_KITCHENPAE
Reviewer		Order	O002513
Approves	P.SAWA	Date	09/06/2025

ROMM_CONVECT_DL60HR_SR_1-600X330X1025

Colour

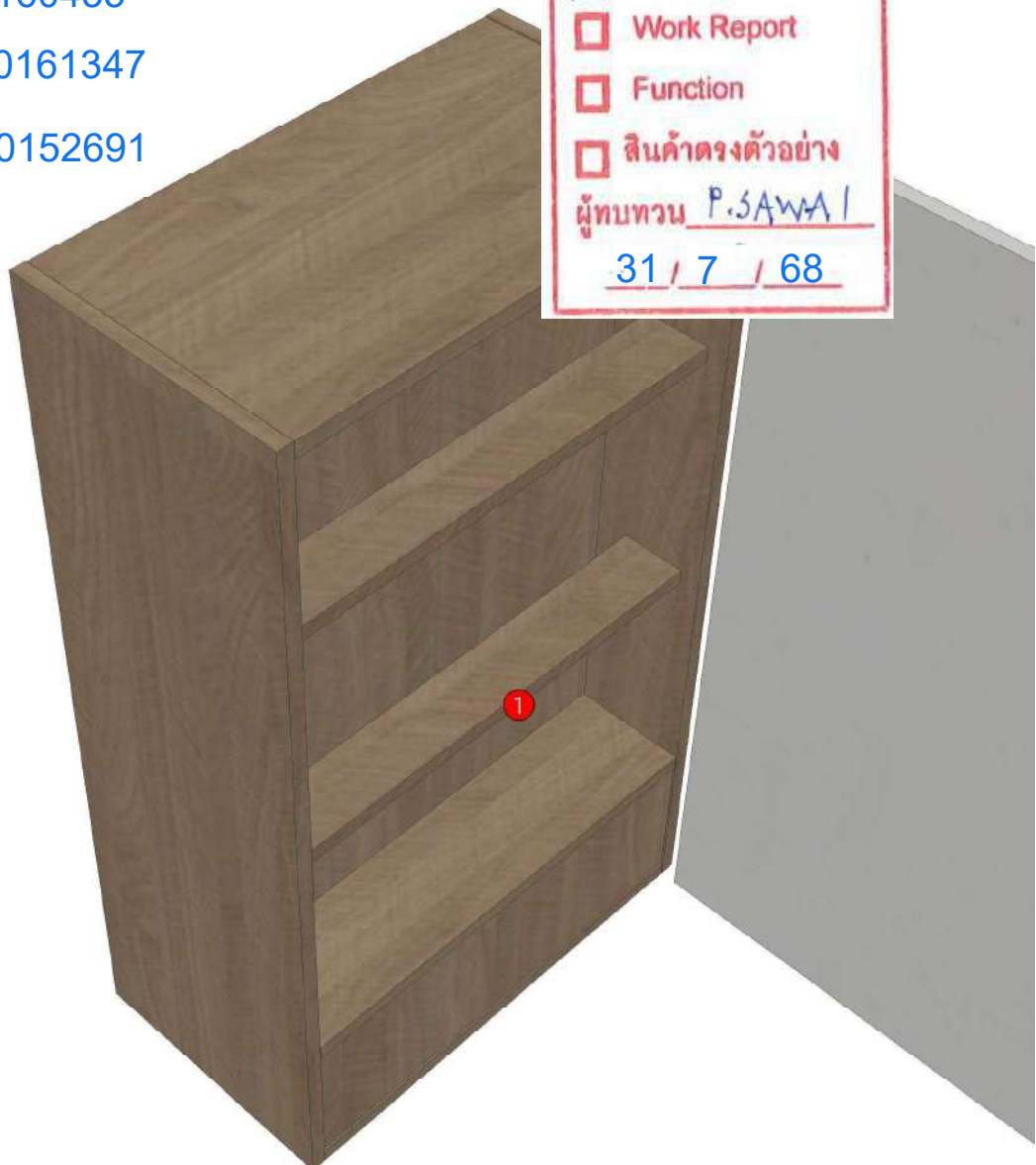
04.69=PB-E1 4'X8'T LAMINATE WILMIKA TEXT NO. W3125-16
04.691=ALVIC LUMAX-SPP/4'X10'X18MM.-BLANCO SUPPERMATT(LX8
04.692=PB-E1 4'X9'T. LAMINA WILMIKA TEXT NO. W3125-16
04.693=HPL WILMIKA NO. W3125-16/HPL.TD#9201 PL

Edge

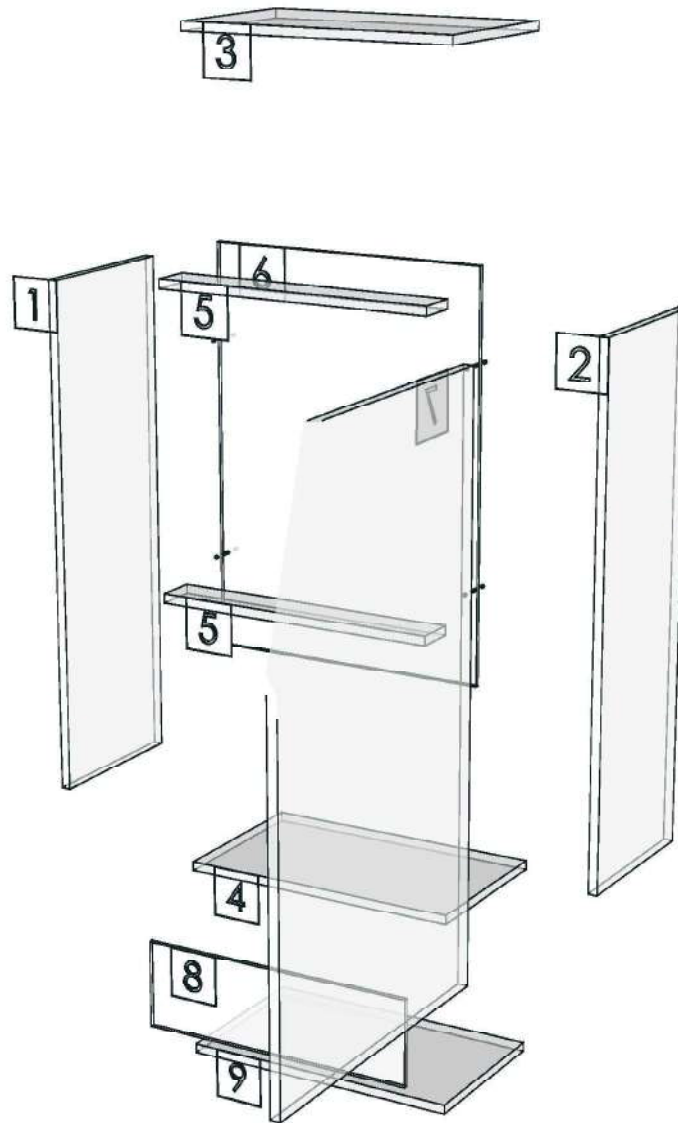
01.405=1 DWK3125AT
01.4051=1 WHITE 01016

K4L 160166148
K6L 160160455
K10R 160161347
K11L 160152691

R&D REVIEW	
<input checked="" type="checkbox"/>	DWG.Customer
<input type="checkbox"/>	Work Report
<input type="checkbox"/>	Function
<input type="checkbox"/>	สินค้าตรงตัวอย่าง
ผู้ทบทวน P.SAWA /	
31 / 7 / 68	



Model	-ROMM_CONVECT_DL60HR_SR_1		
Creator	SUTTHI.P	.BCP Name	INDEX_C3D_KITCHENPAE
Reviewer		Order	O002513
Approves	<i>P. SAWA</i>	Date	09/06/2025



Model	ROMM_CONVECT_DPLT_1881_1		
Creator	SUTTHI.P	.BCP Name	INDEX_C3D_KITCHENPAE
Reviewer		Order	0002772
Approves	P.SAWA	Date	13/08/2025

ROMM_CONVECT_DPLT_1881_1-1881X9X100

Colour

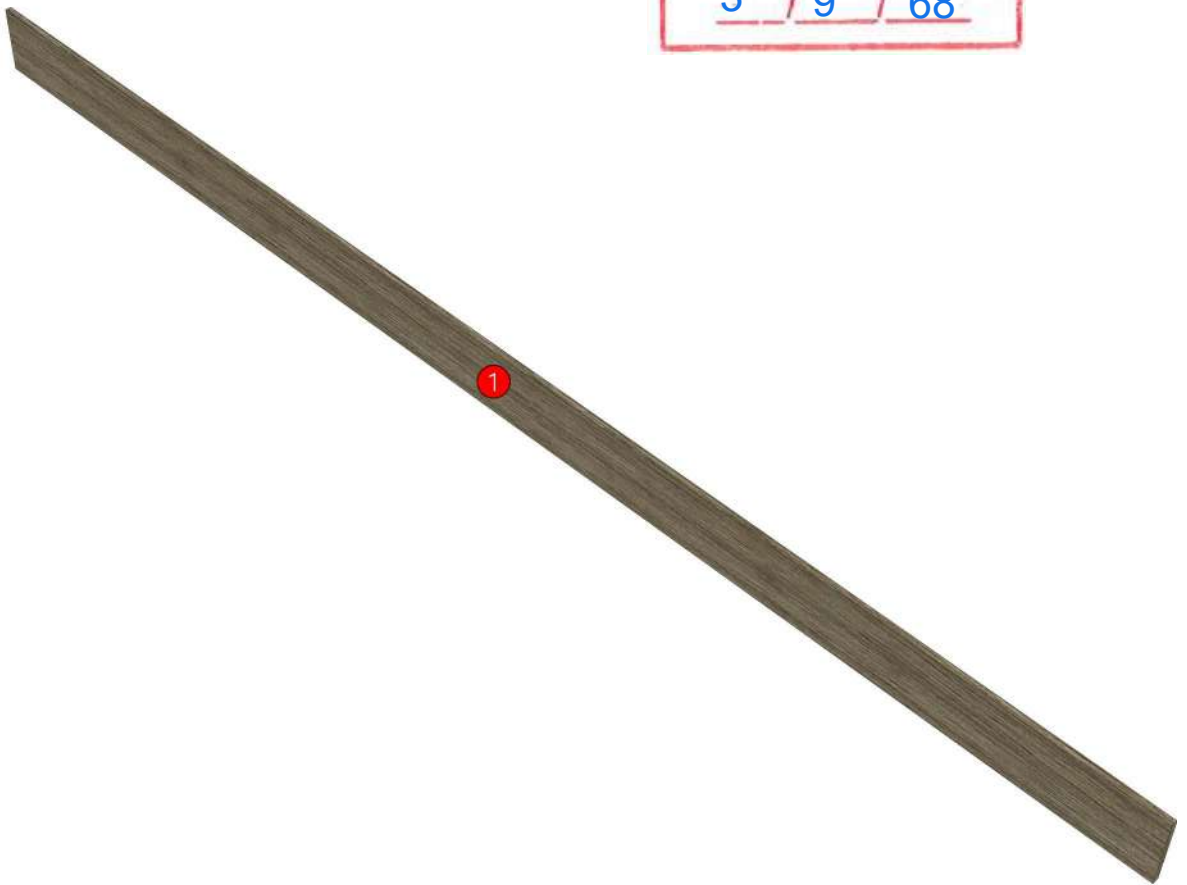
04.69=PB-E1 4'X8'T LAMINATE WILMIKA TEXT NO. W3125-16
04.691=ALVIC LUMAX-SPP/4'X10'X18MM.-BLANCO SUPPERMATT(LX8)

Edge

01.405=1 DWK3125AT
01.47=1 WHITE

K10R 160161347

R&D REVIEW	
<input checked="" type="checkbox"/>	DWG.Customer
<input type="checkbox"/>	Work Report
<input type="checkbox"/>	Function
<input type="checkbox"/>	สินค้าตรงตัวอย่าง
ผู้ทบทวน <u>P.SAWA</u>	
<u>3</u> / <u>9</u> / <u>68</u>	



Model	-ROMM_CONVECT_DPLT_1881_1		
Creator	SUTTHI.P	.BCP Name	INDEX_C3D_KITCHENPAE
Reviewer		Order	0002772
Approves	<i>P. SAWA</i>	Date	13/08/2025



Model	ROMM_CONVECT_DPLT_2020_1		
Creator	SUTTHI.P	.BCP Name	INDEX_C3D_KITCHENPAE
Reviewer		Order	O002773
Approves	<i>P.SAWA</i>	Date	13/08/2025

ROMM_CONVECT_DPLT_2020_1-2020X9X100

Colour

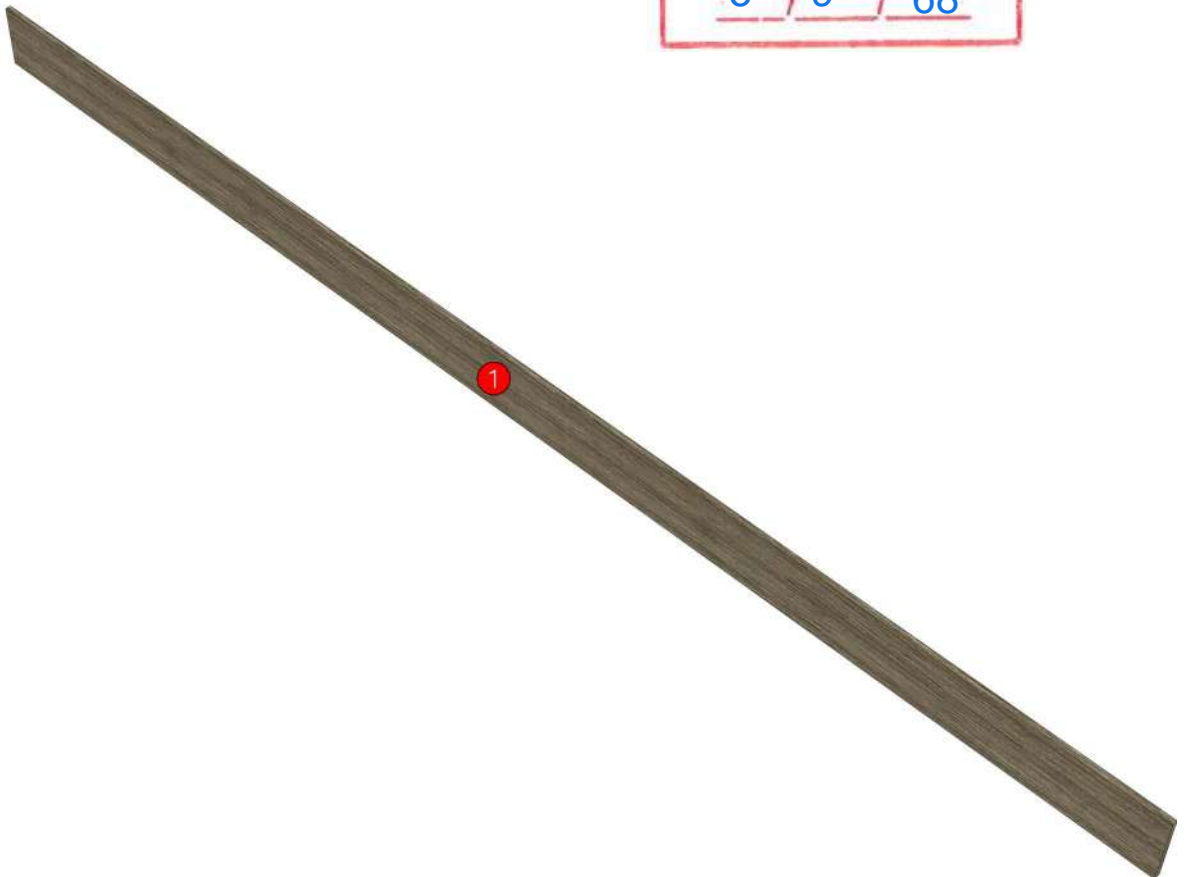
04.69=PB-E1 4'X8'T LAMINATE WILMIKA TEXT NO. W3125-16
04.691=ALVIC LUMAX-SPP/4'X10'X18MM.-BLANCO SUPPERMATT(LX8)

Edge

01.405=1 DWK3125AT
01.47=1 WHITE

K10R 160161347

R&D REVIEW	
<input checked="" type="checkbox"/>	DWG.Customer
<input type="checkbox"/>	Work Report
<input type="checkbox"/>	Function
<input type="checkbox"/>	สินค้าตรงตัวอย่าง
ผู้ทบทวน <u>P.SAWA</u>	
<u>3</u> / <u>9</u> / <u>68</u>	



Model	-ROMM_CONVECT_DPLT_2020_1		
Creator	SUTTHI.P	.BCP Name	INDEX_C3D_KITCHENPAE
Reviewer		Order	0002773
Approves	<i>P. SAWA</i>	Date	13/08/2025



Model	ROMM_CONVECT_DSH_1750_1		
Creator	SUTTHI.P	.BCP Name	INDEX_C3D_KITCHENPAE
Reviewer		Order	O002727
Approves	P.SAWA	Date	09/08/2025

ROMM_CONVECT_DSH_1750_1-1750X350X25

Colour

04.69=PB-E1 4'X8'T LAMINATE WILMIKA TEXT NO. W3125-16
04.691=ALVIC LUMAX-SPP/4'X10'X18MM.-BLANCO SUPPERMATT(LX8)

Edge

01.405=1 DWK3125AT
01.47=1 WHITE

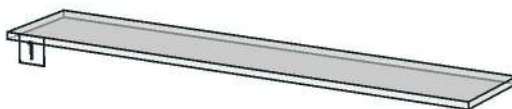
K10R 160161347

R&D REVIEW	
<input checked="" type="checkbox"/>	DWG.Customer
<input type="checkbox"/>	Work Report
<input type="checkbox"/>	Function
<input type="checkbox"/>	สินค้าตรงตัวอย่าง
ผู้ทบทวน <u>P.SAWA</u>	
<u>3</u> / <u>9</u> / <u>68</u>	



Model	-ROMM_CONVECT_DSH_1750_1		
Creator	SUTTHI.P	.BCP Name	INDEX_C3D_KITCHENPAE
Reviewer		Order	0002727
Approves	<i>P. SAWA</i>	Date	09/08/2025

2



Model	ROMM_CONVECT_DSH_900_1		
Creator	SUTTHI.P	.BCP Name	INDEX_C3D_KITCHENPAE
Reviewer		Order	O002728
Approves	P.SAWA	Date	09/08/2025

ROMM_CONVECT_DSH_900_1-900X350X25

Colour

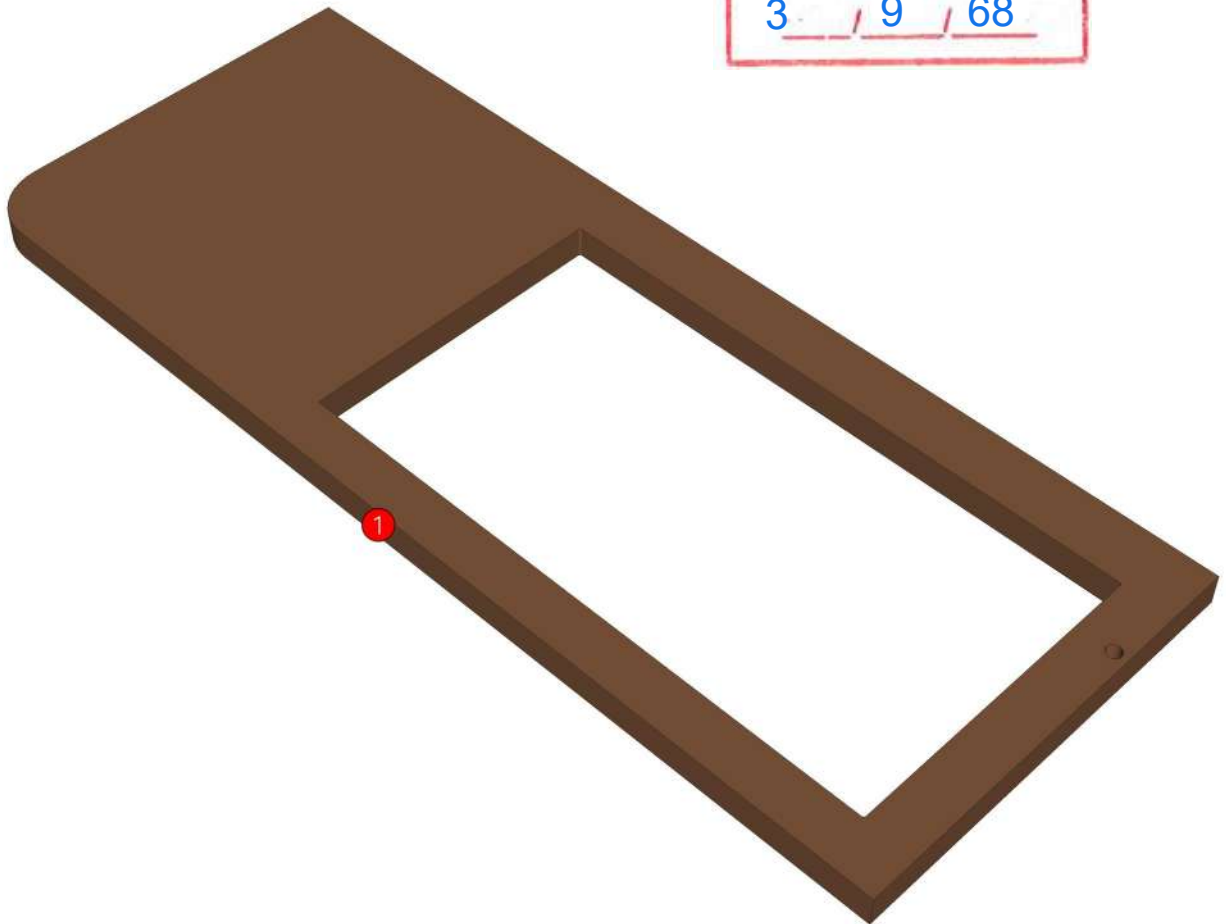
04.69=PB-E1 4'X8'T LAMINATE WILMIKA TEXT NO. W3125-16
04.691=ALVIC LUMAX-SPP/4'X10'X18MM.-BLANCO SUPPERMATT(LX8)

Edge

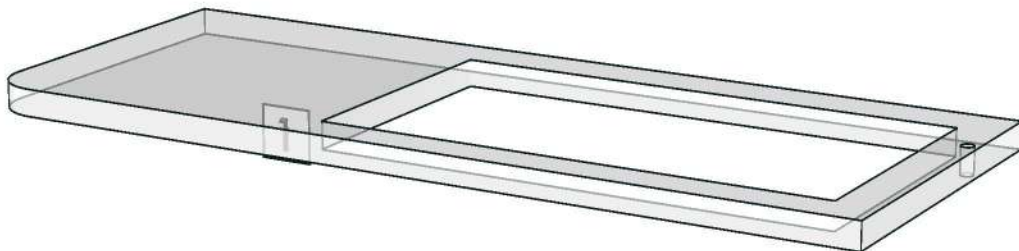
01.405=1 DWK3125AT
01.47=1 WHITE

K10R 160161347

R&D REVIEW	
<input checked="" type="checkbox"/>	DWG.Customer
<input type="checkbox"/>	Work Report
<input type="checkbox"/>	Function
<input type="checkbox"/>	สินค้าตรงตัวอย่าง
ผู้ทบทวน <u>P.SAWA</u>	
3 / 9 / 68	



Model	-ROMM_CONVECT_DSH_900_1		
Creator	SUTTHI.P	.BCP Name	INDEX_C3D_KITCHENPAE
Reviewer		Order	0002728
Approves	<i>P. SAWA</i>	Date	09/08/2025



Model	ROMM_CONVECT_DUT_1900_1		
Creator	SUTTHI.P	.BCP Name	INDEX_C3D_KITCHENPAE
Reviewer		Order	O002782
Approves	<i>P.SAWA</i>	Date	13/08/2025

ROMM_CONVECT_DUT_1900_1-1900X50X16

Colour

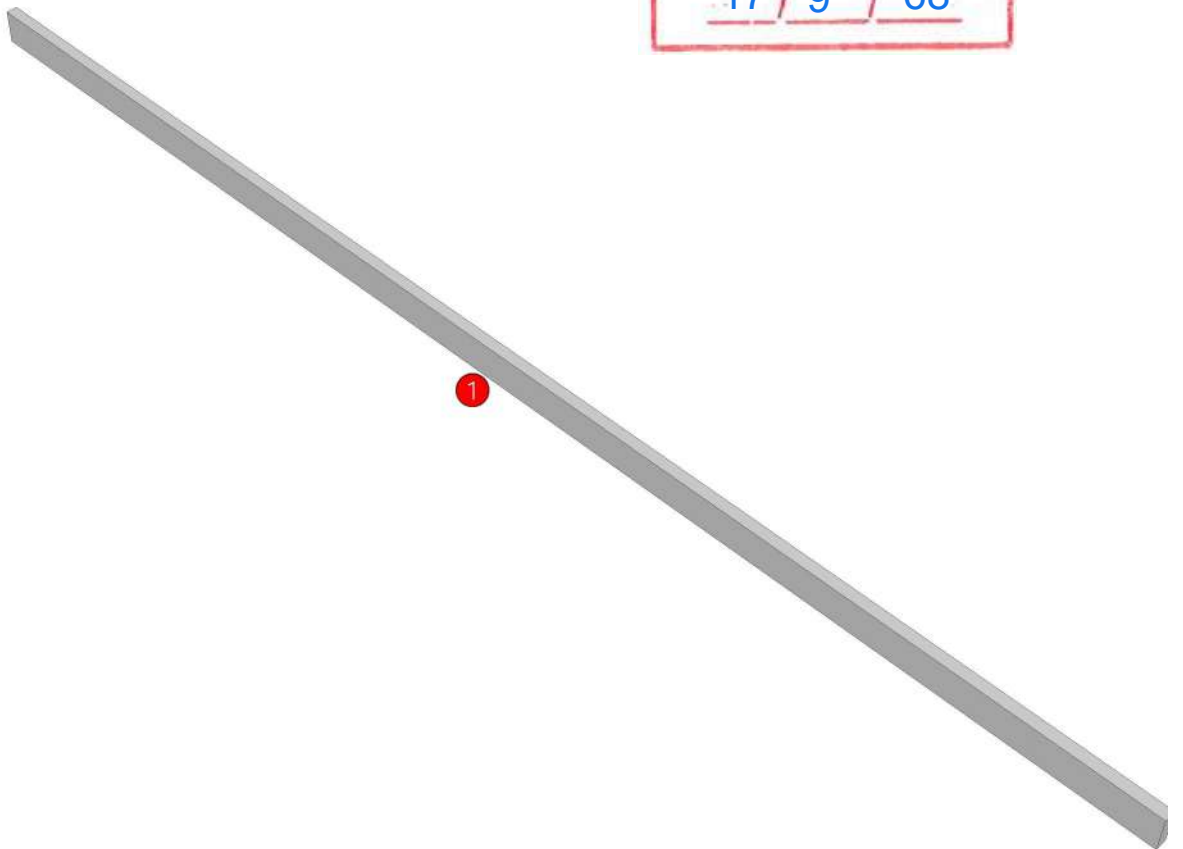
04.69=PB-E1 4'X8'T LAMINATE WILMIKA TEXT NO. W3125-16
04.691=ALVIC LUMAX-SPP/4'X10'X18MM.-BLANCO SUPPERMATT(LX8
05.01=ML WHITE VM1012 18/18

Edge

01.405=1 DWK3125AT
01.47=1 WHITE

K10R 160161347

R&D REVIEW	
<input checked="" type="checkbox"/>	DWG.Customer
<input type="checkbox"/>	Work Report
<input type="checkbox"/>	Function
<input type="checkbox"/>	สินค้าตรงตัวอย่าง
ผู้ทบทวน <u>P.SAWA</u>	
<u>17</u> / <u>9</u> / <u>68</u>	



Model	-ROMM_CONVECT_DUT_1900_1		
Creator	SUTTHI.P	.BCP Name	INDEX_C3D_KITCHENPAE
Reviewer		Order	0002782
Approves	P. SAWA	Date	13/08/2025



Model	ROMM_CONVECT_DUT_2100I_1		
Creator	SUTTHI.P	.BCP Name	INDEX_C3D_KITCHENPAE
Reviewer		Order	0002783
Approves	<i>P.SAWA</i>	Date	13/08/2025

ROMM_CONVECT_DUT_2100I_1-2100X800X18

Colour

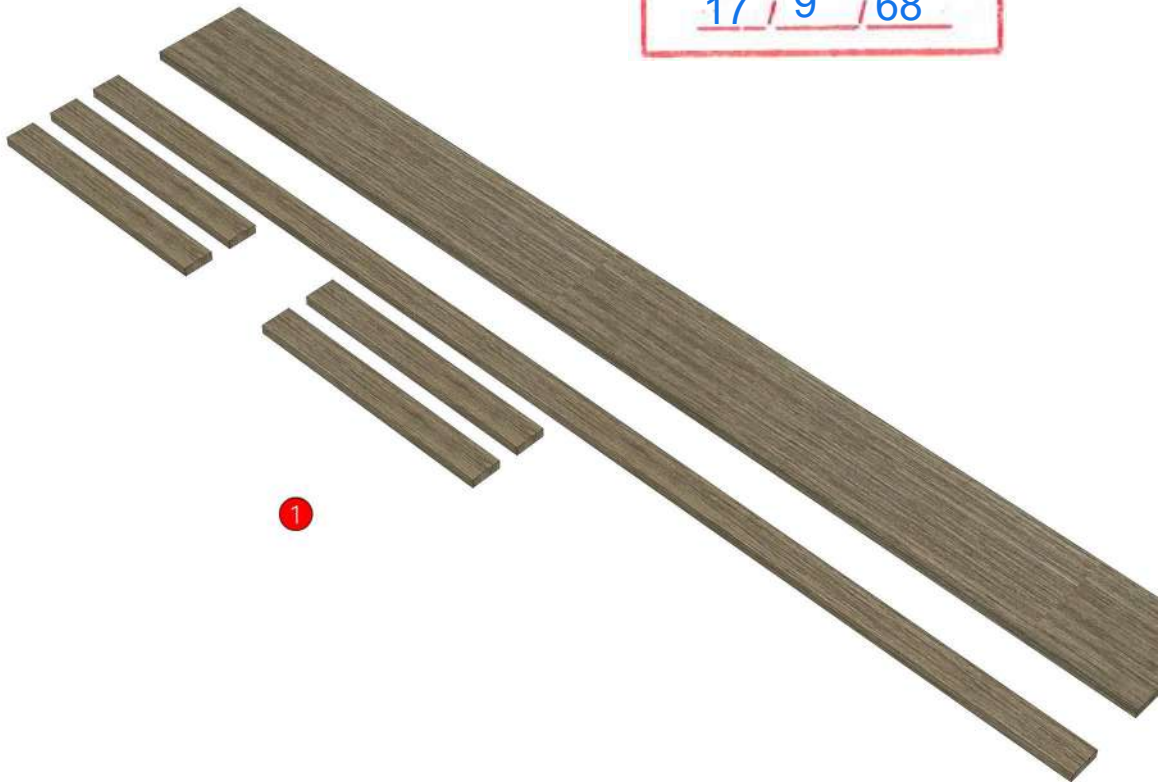
04.69=PB-E1 4'X8'T LAMINATE WILMIKA TEXT NO. W3125-16
04.691=ALVIC LUMAX-SPP/4'X10'X18MM.-BLANCO SUPPERMATT(LX8
05.01=ML WHITE VM1012 18/18

Edge

01.405=1 DWK3125AT
01.47=1 WHITE

K10R 160161347

R&D REVIEW	
<input checked="" type="checkbox"/>	DWG.Customer
<input type="checkbox"/>	Work Report
<input type="checkbox"/>	Function
<input type="checkbox"/>	สินค้าตรงตัวอย่าง
ผู้ทบทวน <u>P.SAWA</u>	
<u>17 / 9 / 68</u>	



Model	-ROMM_CONVECT_DUT_2100I_1		
Creator	SUTTHI.P	.BCP Name	INDEX_C3D_KITCHENPAE
Reviewer		Order	0002783
Approves	<i>P. SAWA</i>	Date	13/08/2025



Model	ROMM_CONVECT_LED_1730_1		
Creator	SUTTHI.P	.BCP Name	INDEX_C3D_KITCHENPAE
Reviewer		Order	O002718
Approves	P.SAWA	Date	08/08/2025

ROMM_CONVECT_LED_1730_1-1730X310X18

Colour

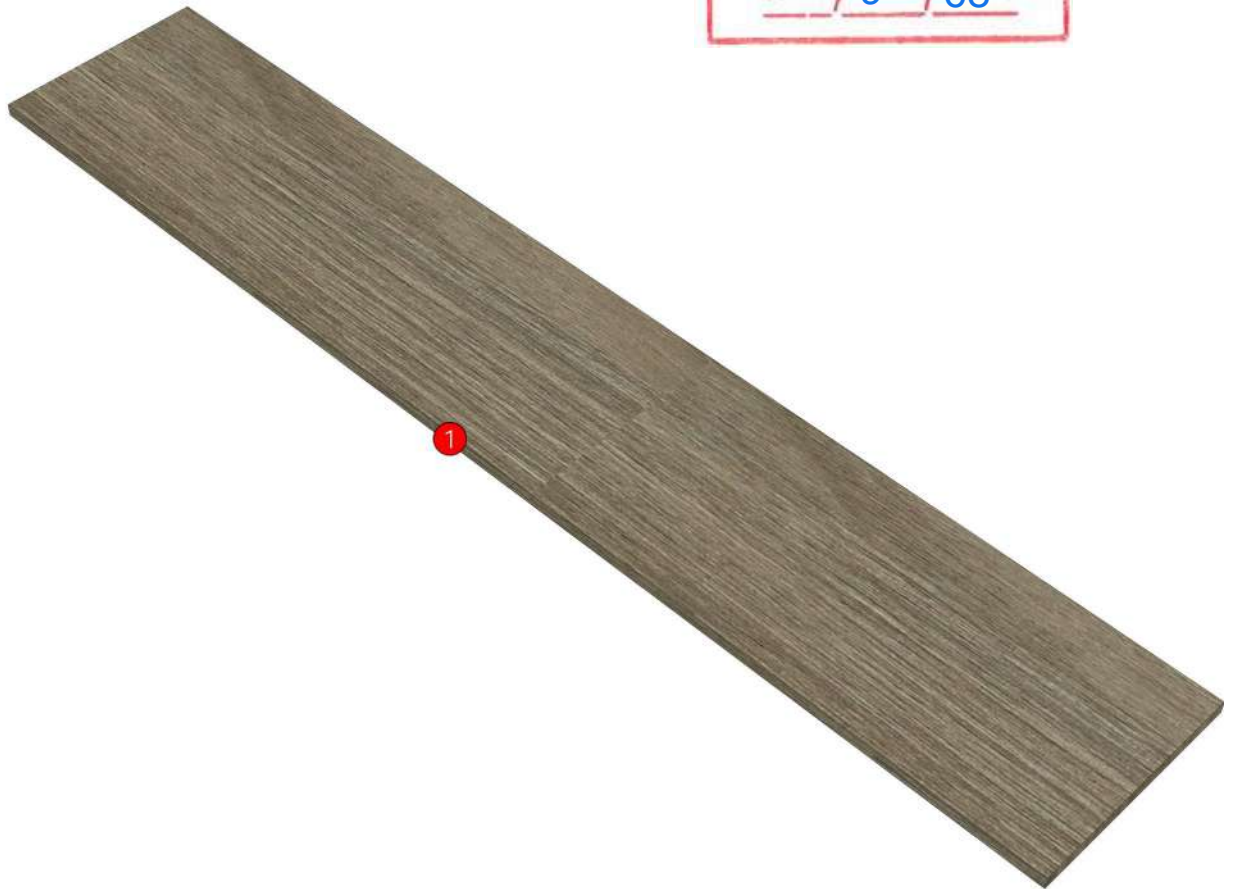
04.69=PB-E1 4'X8'T LAMINATE WILMIKA TEXT NO. W3125-16
04.691=ALVIC LUMAX-SPP/4'X10'X18MM.-BLANCO SUPPERMATT(LX8)

Edge

01.405=1 DWK3125AT
01.47=1 WHITE

K10R 160161347

R&D REVIEW	
<input checked="" type="checkbox"/>	DWG.Customer
<input type="checkbox"/>	Work Report
<input type="checkbox"/>	Function
<input type="checkbox"/>	สินค้าตรงตัวอย่าง
ผู้ทบทวน <u>P.SAWA</u>	
<u>3</u> / <u>9</u> / <u>68</u>	



Model	-ROMM_CONVECT_LED_1730_1		
Creator	SUTTHI.P	.BCP Name	INDEX_C3D_KITCHENPAE
Reviewer		Order	0002718
Approves	<i>P. SAWA</i>	Date	08/08/2025



Model	ROMM_CONVECT_LED_280_1		
Creator	SUTTHI.P	.BCP Name	INDEX_C3D_KITCHENPAE
Reviewer		Order	O002719
Approves	P.SAWA	Date	08/08/2025

ROMM_CONVECT_LED_280_1-280X310X18

Colour

04.69=PB-E1 4'X8'T LAMINATE WILMIKA TEXT NO. W3125-16
04.691=ALVIC LUMAX-SPP/4'X10'X18MM.-BLANCO SUPPERMATT(LX8)

Edge

01.405=1 DWK3125AT
01.47=1 WHITE

K10R 160161347

R&D REVIEW	
<input checked="" type="checkbox"/>	DWG.Customer
<input type="checkbox"/>	Work Report
<input type="checkbox"/>	Function
<input type="checkbox"/>	สินค้าตรงตัวอย่าง
ผู้ทบทวน <u>P.SAWA</u>	
<u>3</u> / <u>9</u> / <u>68</u>	



Model	-ROMM_CONVECT_LED_280_1		
Creator	SUTTHI.P	.BCP Name	INDEX_C3D_KITCHENPAE
Reviewer		Order	0002719
Approves	P. SAWA	Date	08/08/2025

