

<b>Model</b>	ROMM_CONVECT_DB142I_1		
<b>Creator</b>	SUTTHI.P	<b>.BCP Name</b>	INDEX_C3D_KITCHENPAE
<b>Reviewer</b>		<b>Order</b>	O002469
<b>Approves</b>	<i>P.SAWAI</i>	<b>Date</b>	06/06/2025

## ROMM\_CONVECT\_DB142I\_1-1420X530X760

**Colour**

04.69=PB-E1 4'X8'T LAMINATE WILMIKA TEXT NO. W3125-16  
 04.691=ALVIC LUMAX-SPP/4'X10'X18MM.-BLANCO SUPPERMATT(LX8)  
 04.692=PB-E1 4'X9'T.18/2 LAMINA WILMIKA TEXT NO. W3125-16  
 04.693=HPL WILMIKA NO. W3125-16/HPL.TD#9201 PL

**Edge**

01.405=1 DWK3125AT  
 01.4051=1 WHITE 01016

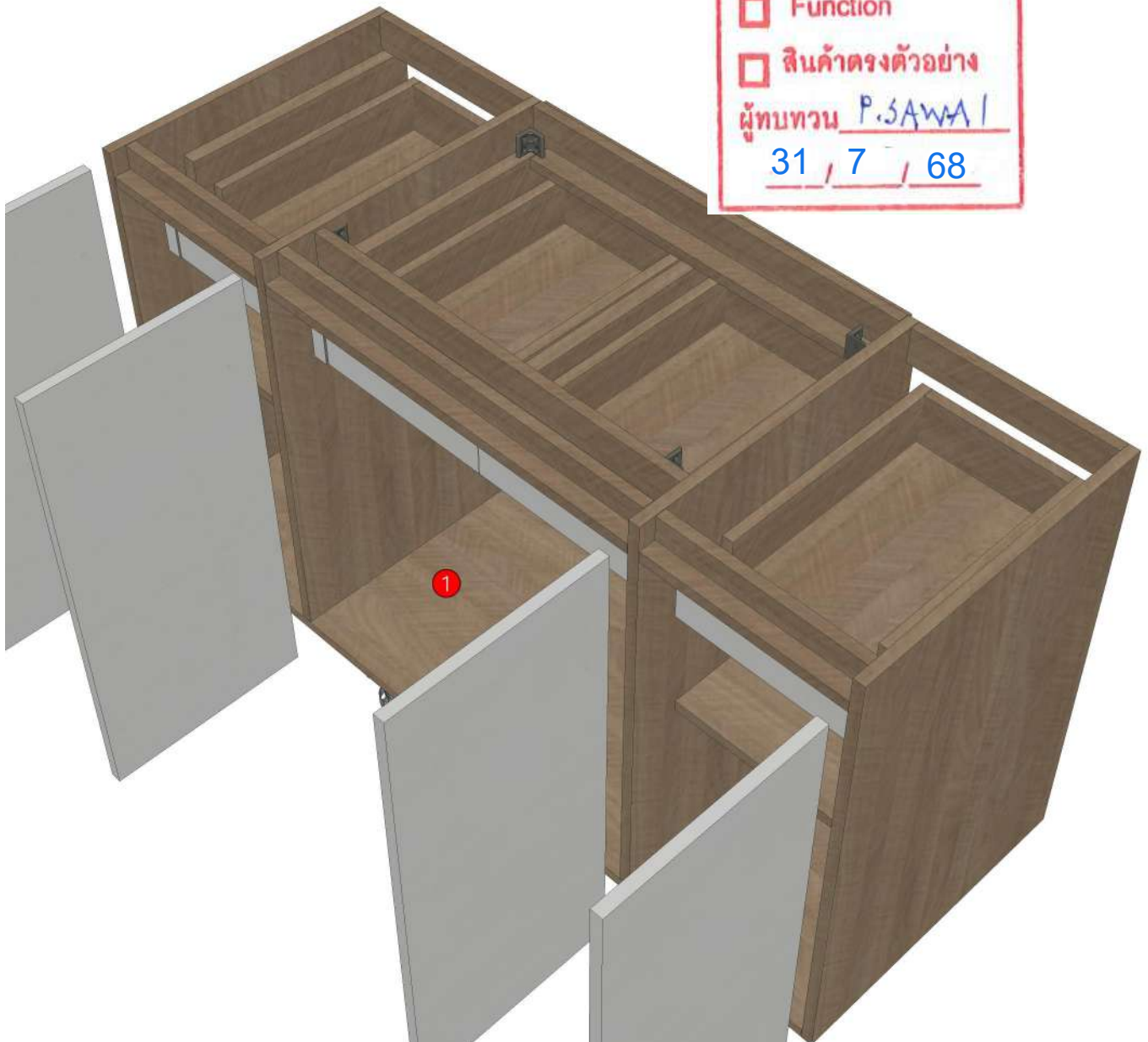
**K6L 160160455**

**R&D REVIEW**

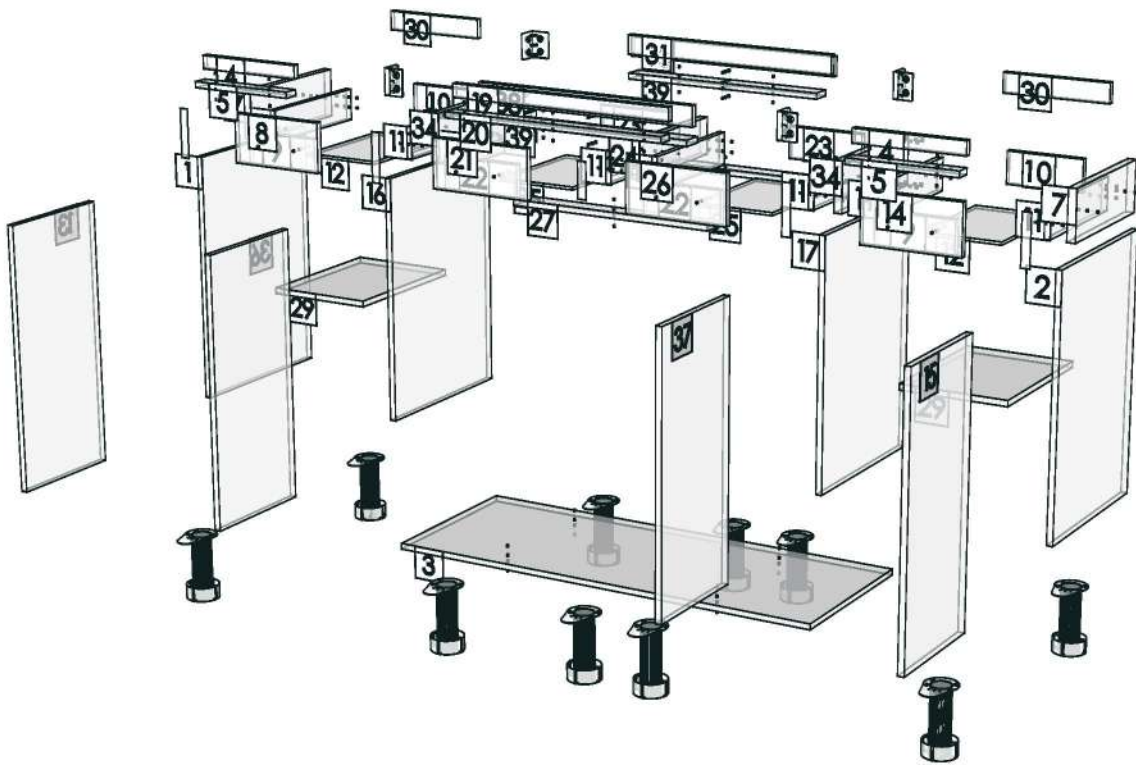
- DWG.Customer
- Work Report
- Function
- สินค้าตรงตัวอย่าง

ผู้ทบทวน *P.SAWAI*

*31 / 7 / 68*



<b>Model</b>	-ROMM_CONVECT_DB142I_1		
<b>Creator</b>	SUTTHI.P	<b>.BCP Name</b>	INDEX_C3D_KITCHENPAE
<b>Reviewer</b>		<b>Order</b>	O002469
<b>Approves</b>	<i>P.SAWAI</i>	<b>Date</b>	06/06/2025



<b>Model</b>	ROMM_CONVECT_DB475LL_1		
<b>Creator</b>	SUTTHI.P	<b>.BCP Name</b>	INDEX_C3D_KITCHENPAE
<b>Reviewer</b>		<b>Order</b>	O002476
<b>Approves</b>	<i>P. SAWA</i>	<b>Date</b>	06/06/2025

## **ROMM\_CONVECT\_DB475LL\_1-475X570X830**

### **Colour**

04.69=PB-E1 4'X8'T LAMINATE WILMIKA TEXT NO. W3125-16  
04.691=ALVIC LUMAX-SPP/4'X10'X18MM.-BLANCO SUPPERMATT(LX8  
04.692=PB-E1 4'X9'T. LAMINA WILMIKA TEXT NO. W3125-16  
04.693=HPL WILMIKA NO. W3125-16/HPL.TD#9201 PL

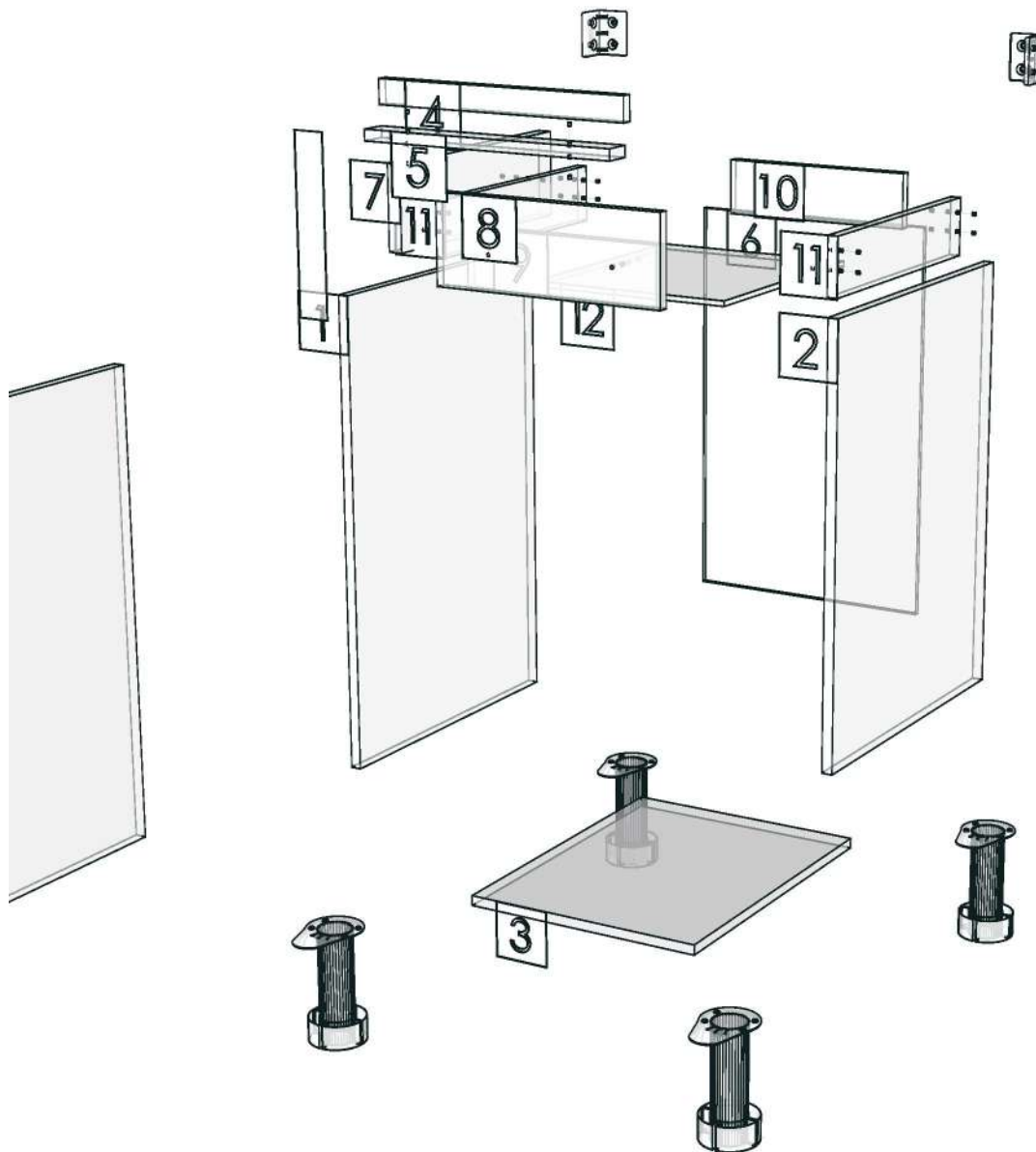
### **Edge**

01.405=1 DWK3125AT  
01.4051=1 WHITE 01016

**K6L 160160455**



<b>Model</b>	-ROMM_CONVECT_DB475LL_1		
<b>Creator</b>	SUTTHI.P	<b>.BCP Name</b>	INDEX_C3D_KITCHENPAE
<b>Reviewer</b>		<b>Order</b>	O002476
<b>Approves</b>	<i>P. SAWA</i>	<b>Date</b>	06/06/2025



<b>Model</b>	ROMM_CONVECT_DB60RR_1		
<b>Creator</b>	SUTTHI.P	<b>.BCP Name</b>	INDEX_C3D_KITCHENPAE
<b>Reviewer</b>		<b>Order</b>	O002478
<b>Approves</b>	<i>P. SAWA</i>	<b>Date</b>	06/06/2025

## **ROMM\_CONVECT\_DB60RR\_1-600X570X830**

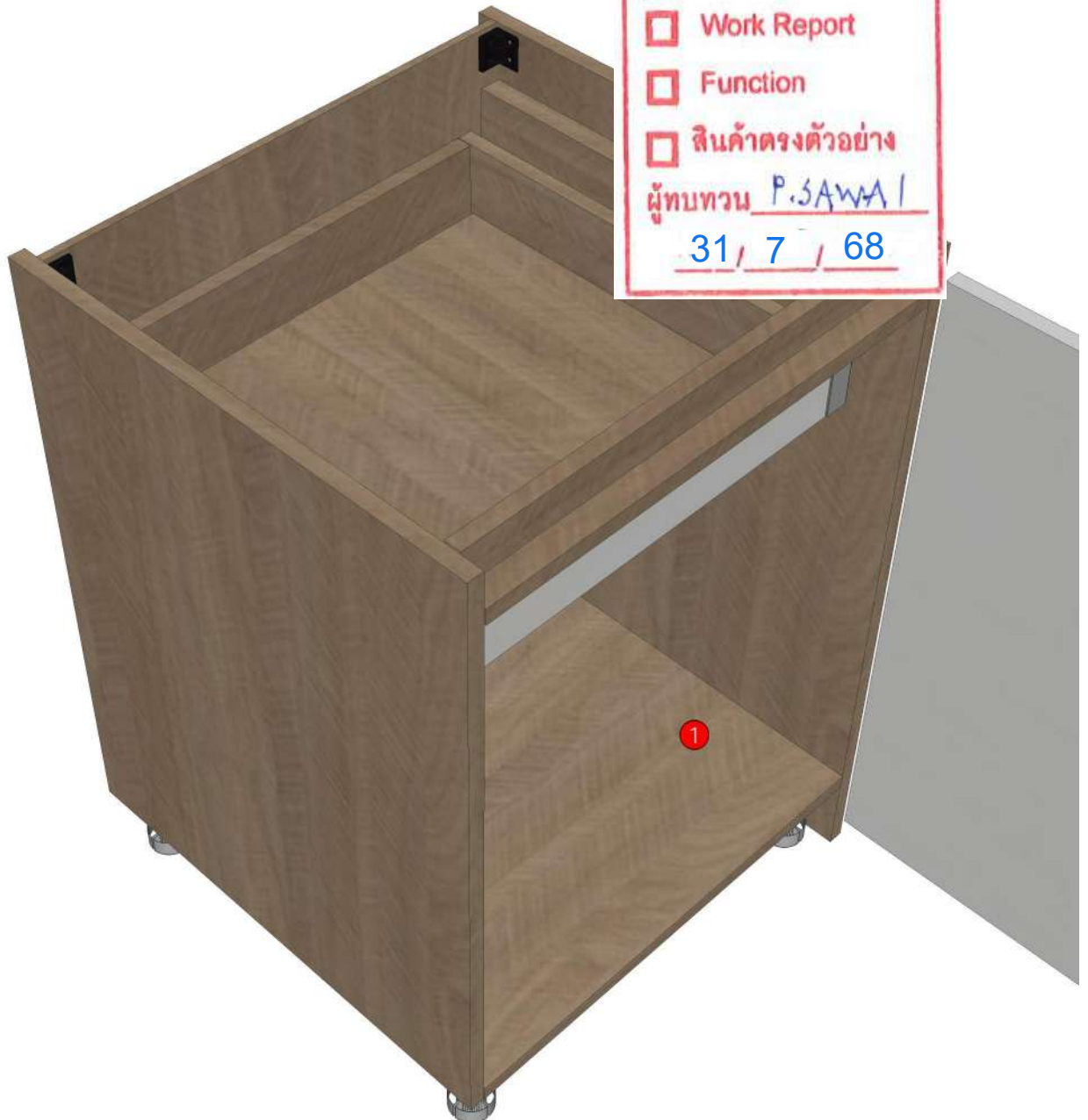
### **Colour**

04.69=PB-E1 4'X8'T LAMINATE WILMIKA TEXT NO. W3125-16  
04.691=ALVIC LUMAX-SPP/4'X10'X18MM.-BLANCO SUPPERMATT(LX8)  
04.692=PB-E1 4'X9'T. LAMINA WILMIKA TEXT NO. W3125-16  
04.693=HPL WILMIKA NO. W3125-16/HPL.TD#9201 PL

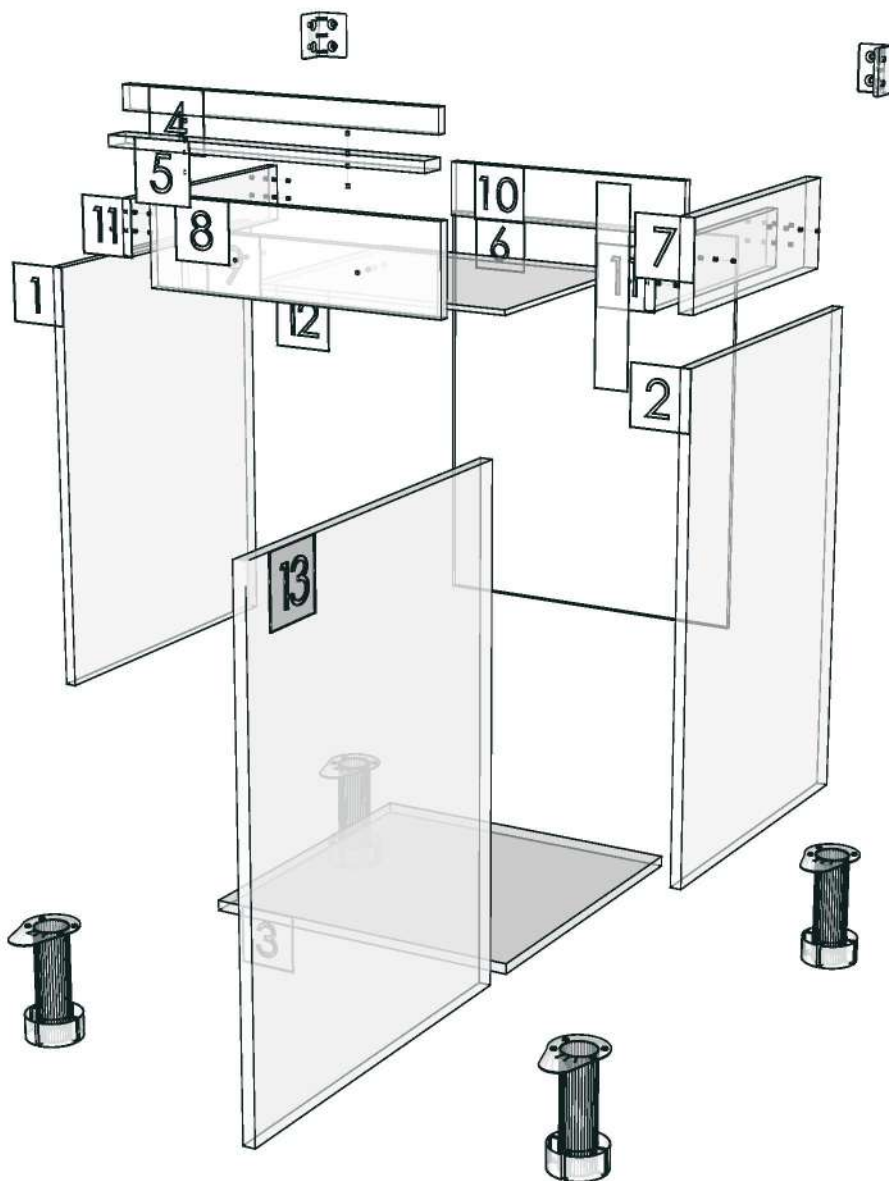
### **Edge**

01.405=1 DWK3125AT  
01.4051=1 WHITE 01016

**K6L 160160455**



<b>Model</b>	-ROMM_CONVECT_DB60RR_1		
<b>Creator</b>	SUTTHI.P	<b>.BCP Name</b>	INDEX_C3D_KITCHENPAE
<b>Reviewer</b>		<b>Order</b>	O002478
<b>Approves</b>	<i>P. SAWA</i>	<b>Date</b>	06/06/2025



<b>Model</b>	ROMM_CONVECT_DBD20_1		
<b>Creator</b>	SUTTHI.P	<b>.BCP Name</b>	INDEX_C3D_KITCHENPAE
<b>Reviewer</b>		<b>Order</b>	O002486
<b>Approves</b>	<i>P. SAWA</i>	<b>Date</b>	06/06/2025

## ROMM\_CONVECT\_DBD20\_1-200X570X760

### Colour

04.69=PB-E1 4'X8'T LAMINATE WILMIKA TEXT NO. W3125-16  
04.691=ALVIC LUMAX-SPP/4'X10'X18MM.-BLANCO SUPPERMATT(LX8  
04.692=PB-E1 4'X9'T. LAMINA WILMIKA TEXT NO. W3125-16  
04.693=HPL WILMIKA NO. W3125-16/HPL.TD#9201 PL

### Edge

01.405=1 DWK3125AT  
01.4051=1 WHITE 01016

K5R 160152669

K6L 160160455

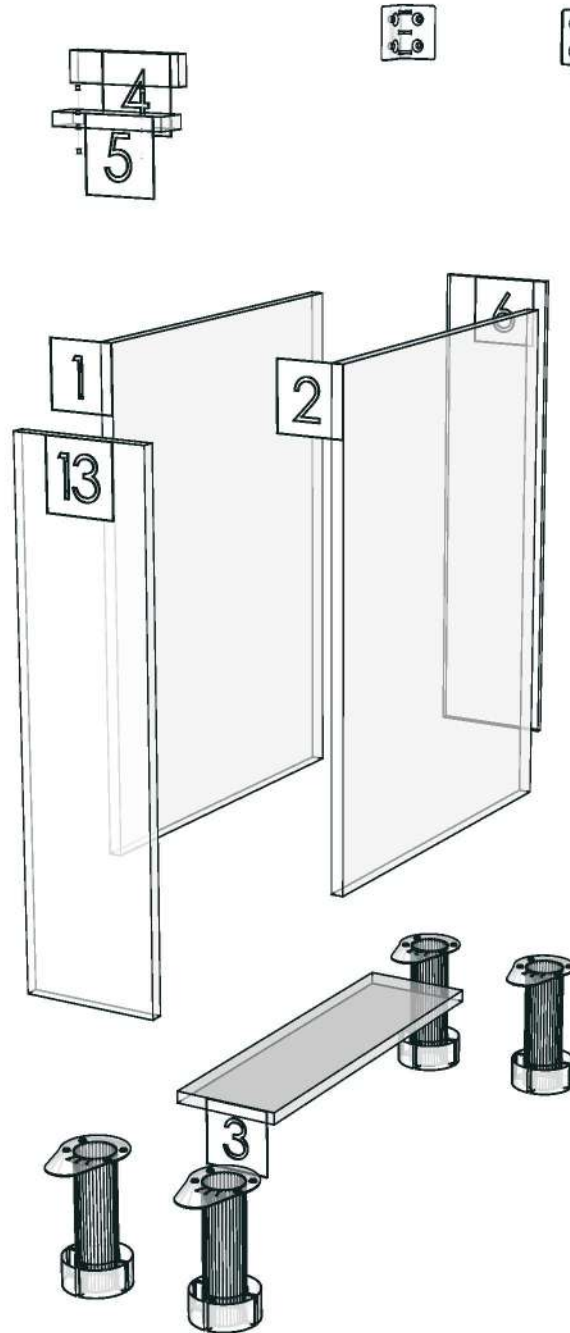
K13L 160161368

K18R 160161391



<b>R&amp;D REVIEW</b>	
<input checked="" type="checkbox"/>	DWG.Customer
<input type="checkbox"/>	Work Report
<input type="checkbox"/>	Function
<input type="checkbox"/>	สินค้าตรงตัวอย่าง
ผู้ทบทวน <u>P.SAWA</u>	
<u>31 / 7 / 68</u>	

<b>Model</b>	-ROMM_CONVECT_DBD20_1		
<b>Creator</b>	SUTTHI.P	<b>.BCP Name</b>	INDEX_C3D_KITCHENPAE
<b>Reviewer</b>		<b>Order</b>	0002486
<b>Approves</b>	<i>P. SAWA</i>	<b>Date</b>	06/06/2025



<b>Model</b>	ROMM_CONVECT_DBH601_1		
<b>Creator</b>	SUTTHI.P	<b>.BCP Name</b>	INDEX_C3D_KITCHENPAE
<b>Reviewer</b>		<b>Order</b>	O002488
<b>Approves</b>	<i>P. SAWA</i>	<b>Date</b>	06/06/2025

## ROMM\_CONVECT\_DBH601\_1-600X570X730

**Colour**

04.69=PB-E1 4'X8'T LAMINATE WILMIKA TEXT NO. W3125-16  
 04.691=ALVIC LUMAX-SPP/4'X10'X18MM.-BLANCO SUPPERMATT(LX8)  
 04.692=PB-E1 4'X9'T. LAMINA WILMIKA TEXT NO. W3125-16  
 04.693=HPL WILMIKA NO. W3125-16/HPL.TD#9201 PL

**Edge**

01.405=1 DWK3125AT  
 01.4051=1 WHITE 01016

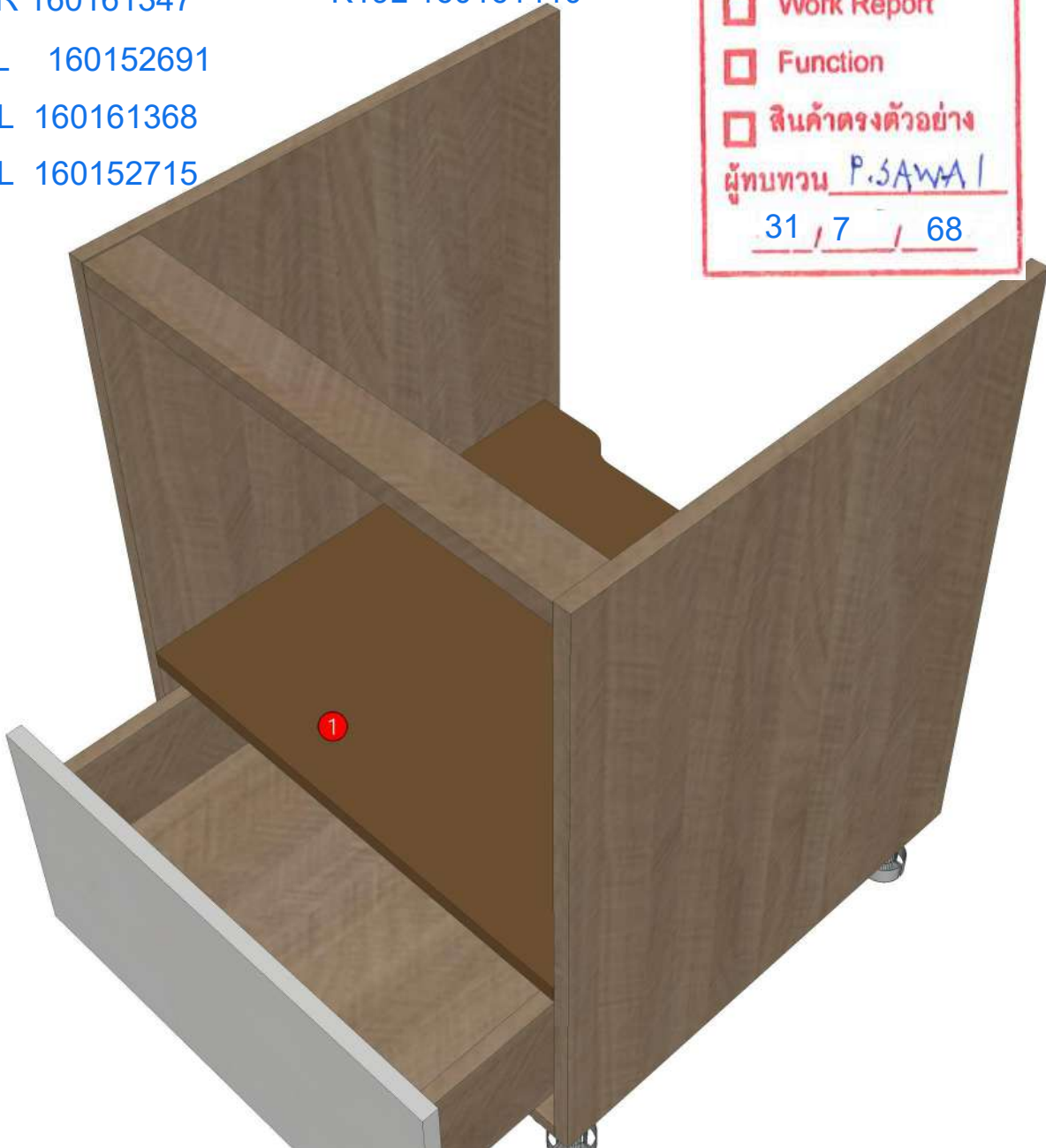
- K5R 160152669                      K15R 160152736
- K6L 160160455                      K18R 160161391
- K10R 160161347                      K19L 160161410
- K11L 160152691
- K13L 160161368
- K14L 160152715

R&D REVIEW

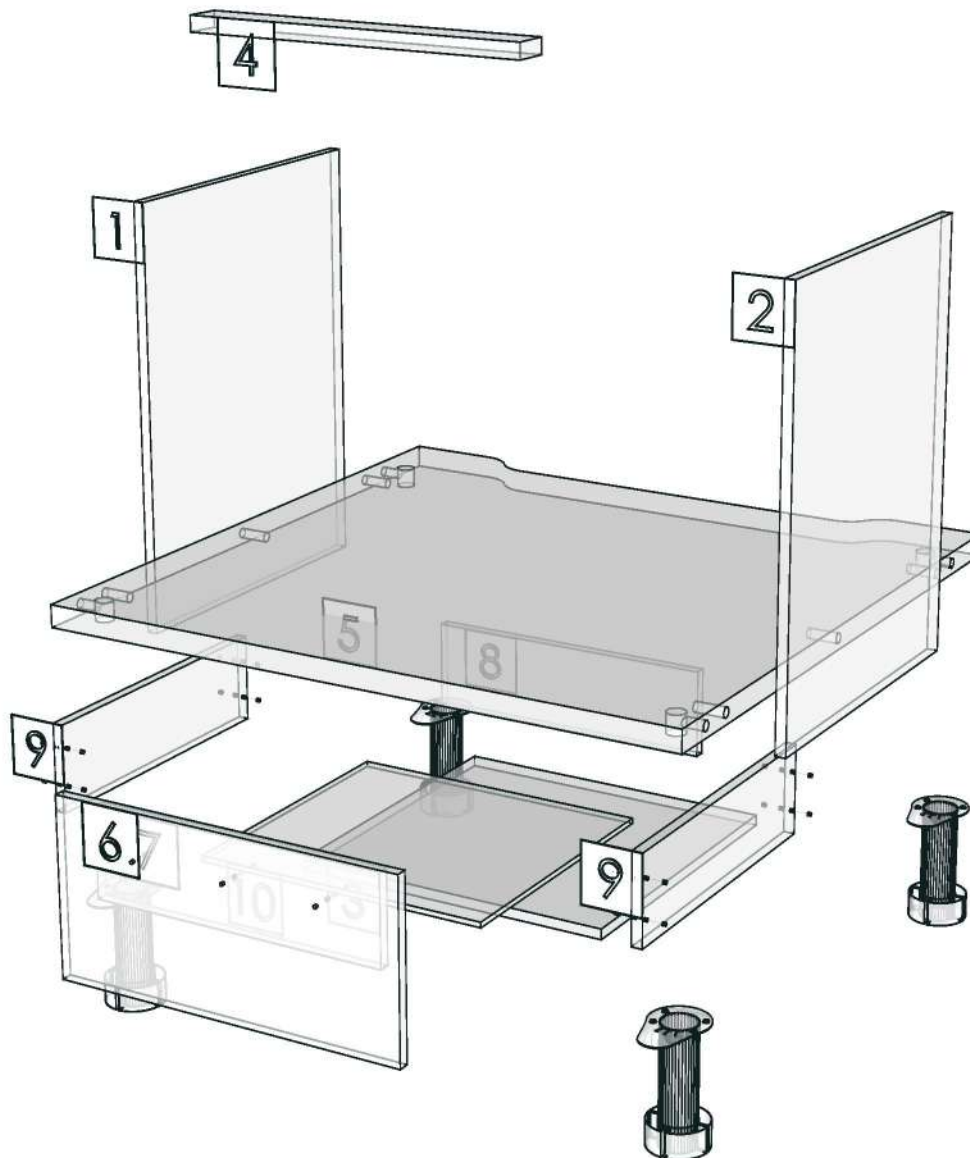
- DWG.Customer
- Work Report
- Function
- สินค้าตรงตัวอย่าง

ผู้ทบทวน P.SAWA

31 / 7 / 68



<b>Model</b>	-ROMM_CONVECT_DBH601_1		
<b>Creator</b>	SUTTHI.P	<b>.BCP Name</b>	INDEX_C3D_KITCHENPAE
<b>Reviewer</b>		<b>Order</b>	O002488
<b>Approves</b>	<i>P. SAWA</i>	<b>Date</b>	06/06/2025



<b>Model</b>	ROMM_CONVECT_DBS100L_1		
<b>Creator</b>	SUTTHI.P	<b>.BCP Name</b>	INDEX_C3D_KITCHENPAE
<b>Reviewer</b>		<b>Order</b>	O002495
<b>Approves</b>	P. SAWA	<b>Date</b>	06/06/2025

## ROMM\_CONVECT\_DBS100L\_1-1000X570X730

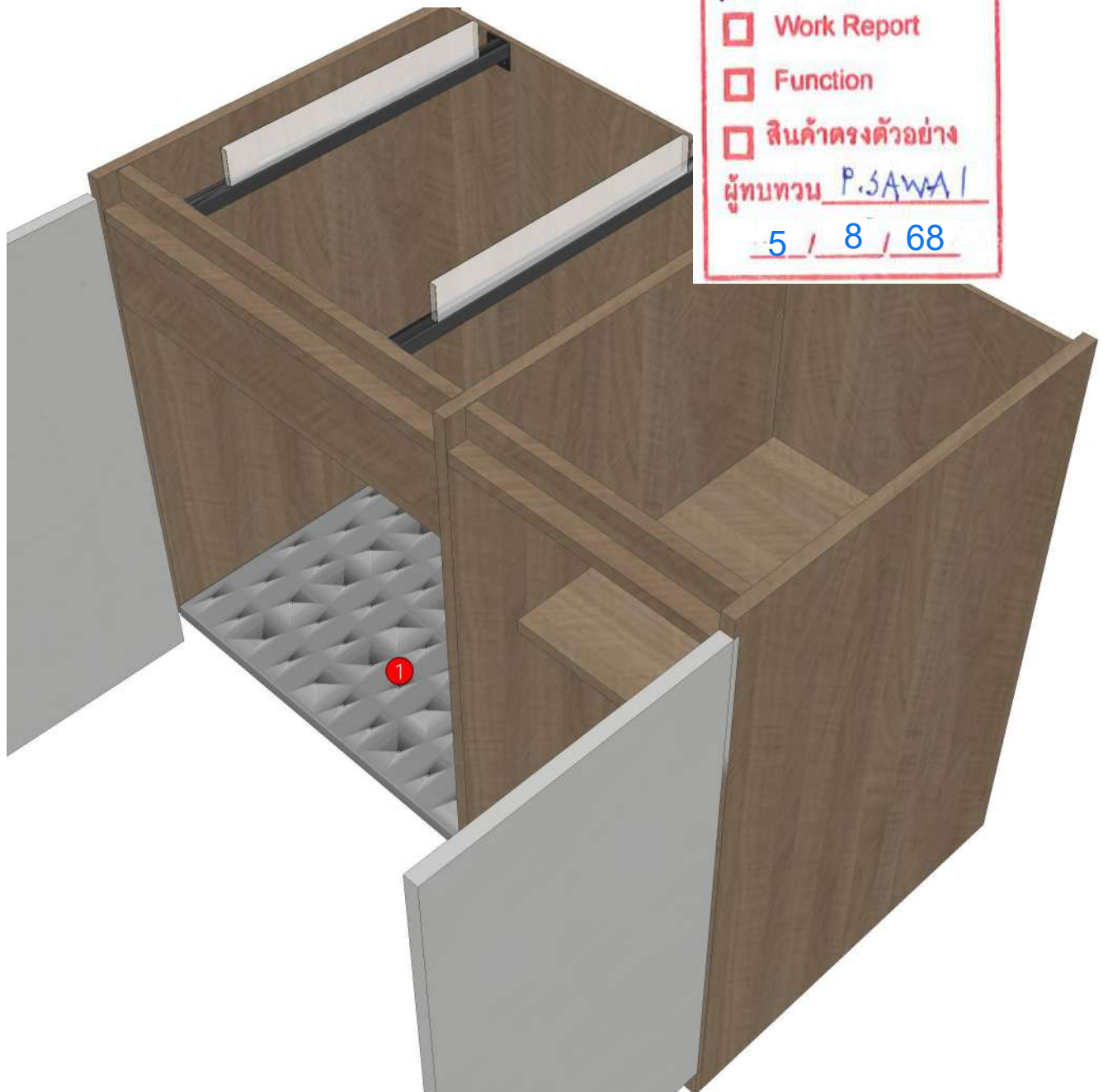
**Colour**

04.69=PB-E1 4'X8'T LAMINATE WILMIKA TEXT NO. W3125-16  
 04.691=ALVIC LUMAX-SPP/4'X10'X18MM.-BLANCO SUPPERMATT(LX8)  
 04.692=PB-E1 4'X9'T. LAMINA WILMIKA TEXT NO. W3125-16  
 04.693=HPL WILMIKA NO. W3125-16/HPL.TD#9201 PL

**Edge**

01.405=1 DWK3125AT  
 01.4051=1 WHITE 01016

K6L 160160455



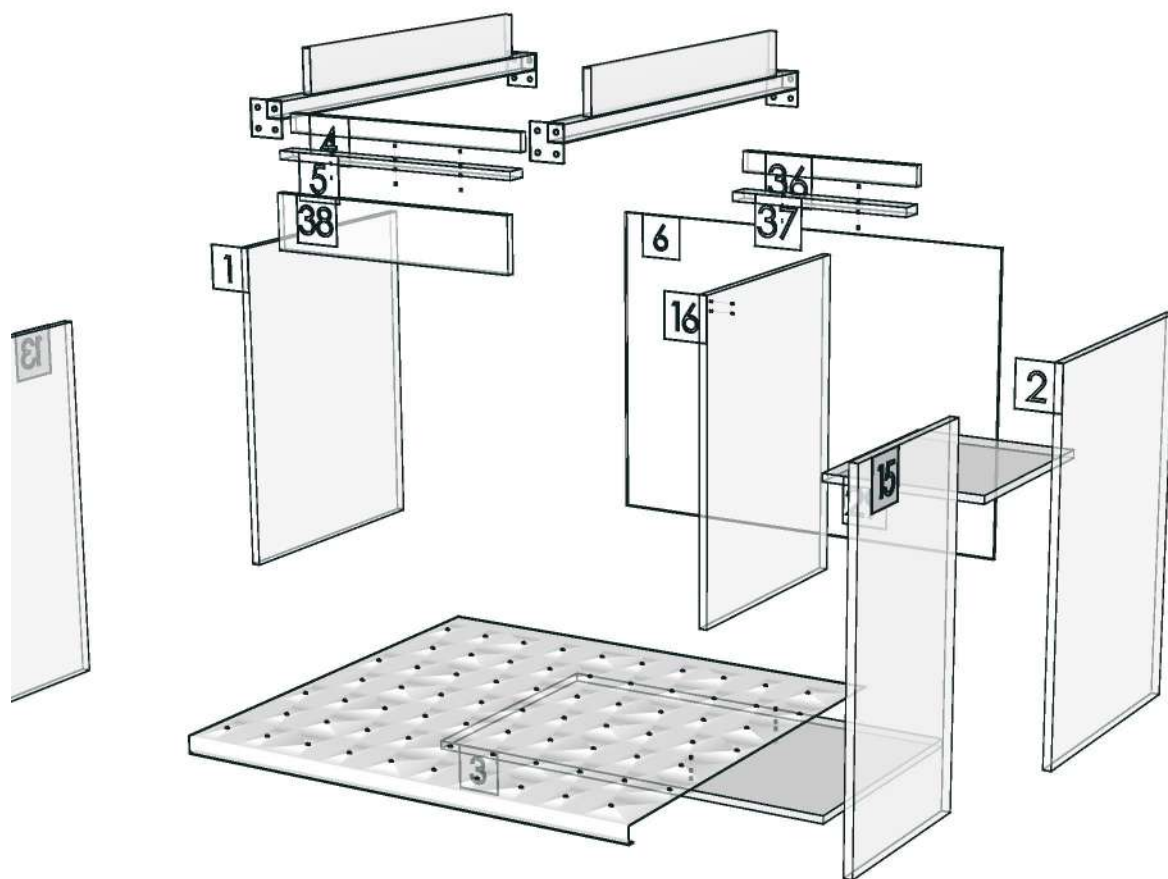
**R&D REVIEW**

- DWG.Customer
- Work Report
- Function
- สินค้าตรงตัวอย่าง

ผู้ทบทวน P.SAWA

5 / 8 / 68

<b>Model</b>	-ROMM_CONVECT_DBS100L_1		
<b>Creator</b>	SUTTHI.P	<b>.BCP Name</b>	INDEX_C3D_KITCHENPAE
<b>Reviewer</b>		<b>Order</b>	O002495
<b>Approves</b>	<i>P. SAWA</i>	<b>Date</b>	06/06/2025



<b>Model</b>	ROMM_CONVECT_DDM_1200_6_1		
<b>Creator</b>	SUTTHI.P	<b>.BCP Name</b>	INDEX_C3D_KITCHENPAE
<b>Reviewer</b>		<b>Order</b>	O002572
<b>Approves</b>	P. SAWA	<b>Date</b>	12/06/2025

## ROMM\_CONVECT\_DDM\_1200\_6\_1-1200X6X375

### Colour

04.69=PB-E1 4'X8'T LAMINATE WILMIKA TEXT NO. W3125-16  
04.691=ALVIC LUMAX-SPP/4'X10'X18MM.-BLANCO SUPPERMATT(LX8  
03.13=PVC WHITE#630 T0.15MM.

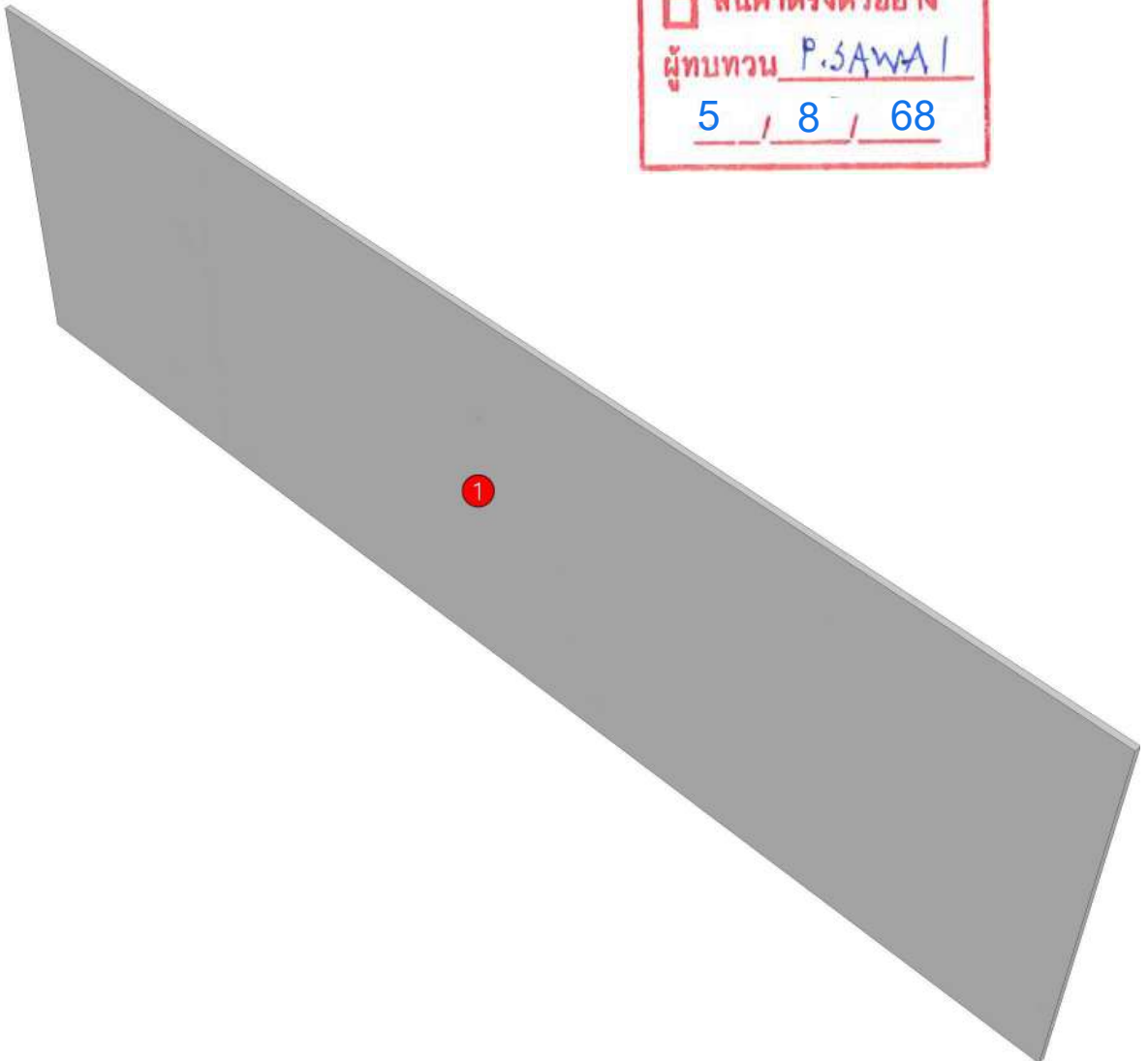
### Edge

01.405=1 DWK3125AT  
01.4051=1 WHITE 01016

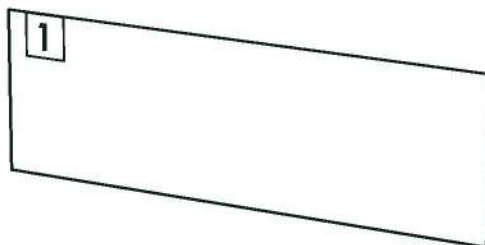
K3R 160161323

K6L 160160455

<b>R&amp;D REVIEW</b>	
<input checked="" type="checkbox"/>	DWG.Customer
<input type="checkbox"/>	Work Report
<input type="checkbox"/>	Function
<input type="checkbox"/>	สินค้าตรงตัวอย่าง
ผู้ทบทวน <u>P.SAWA</u>	
<u>5</u> / <u>8</u> / <u>68</u>	



<b>Model</b>	-ROMM_CONVECT_DDM_1200_6_1		
<b>Creator</b>	SUTTHI.P	<b>.BCP Name</b>	INDEX_C3D_KITCHENPAE
<b>Reviewer</b>		<b>Order</b>	0002572
<b>Approves</b>	<i>P. SAWA</i>	<b>Date</b>	12/06/2025



<b>Model</b>	ROMM_CONVECT_DDM_1665_9_1		
<b>Creator</b>	SUTTHI.P	<b>.BCP Name</b>	INDEX_C3D_KITCHENPAE
<b>Reviewer</b>		<b>Order</b>	O002588
<b>Approves</b>	P.SAWA	<b>Date</b>	09/07/2025

## ROMM\_CONVECT\_DDM\_1665\_9\_1-1665X9X375

### Colour

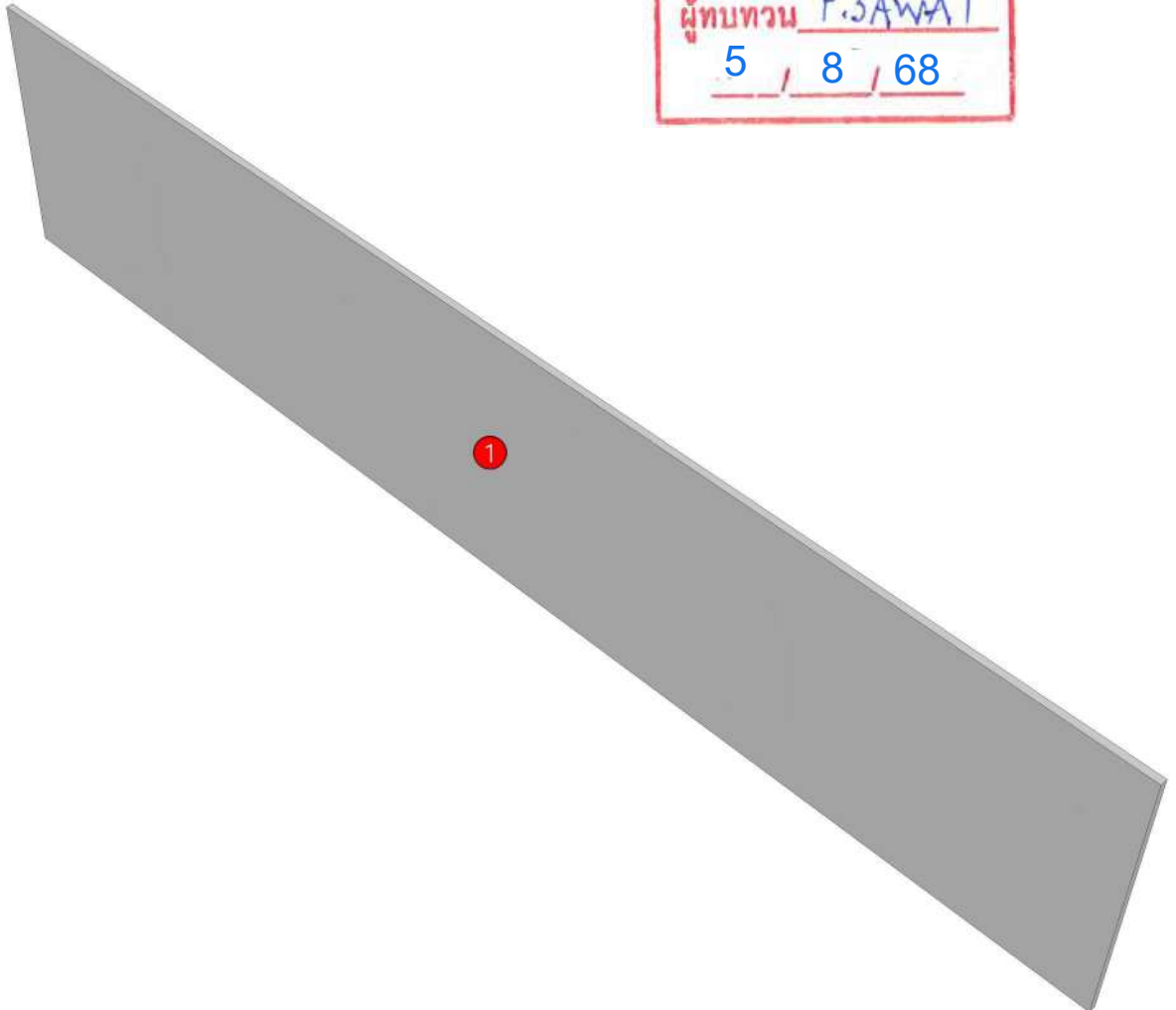
04.69=PB-E1 4'X8'T LAMINATE WILMIKA TEXT NO. W3125-16  
04.691=ALVIC LUMAX-SPP/4'X10'X18MM.-BLANCO SUPPERMATT(LX8  
05.01=ML WHITE VM1012 18/18

### Edge

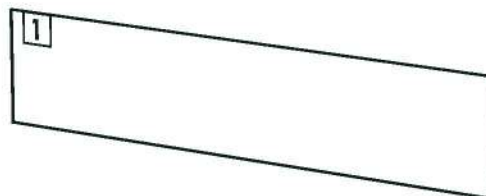
01.405=1 DWK3125AT  
01.4051=1 WHITE 01016

K6L 160160455

<b>R&amp;D REVIEW</b>	
<input checked="" type="checkbox"/>	DWG.Customer
<input type="checkbox"/>	Work Report
<input type="checkbox"/>	Function
<input type="checkbox"/>	สินค้าตรงตัวอย่าง
ผู้ทบทวน <u>P.SAWA</u>	
<u>5</u> / <u>8</u> / <u>68</u>	



<b>Model</b>	-ROMM_CONVECT_DDM_1665_9_1		
<b>Creator</b>	SUTTHI.P	<b>.BCP Name</b>	INDEX_C3D_KITCHENPAE
<b>Reviewer</b>		<b>Order</b>	0002588
<b>Approves</b>	P. SAWA	<b>Date</b>	09/07/2025



<b>Model</b>	ROMM_CONVECT_DDM_1675_1		
<b>Creator</b>	SUTTHI.P	<b>.BCP Name</b>	INDEX_C3D_KITCHENPAE
<b>Reviewer</b>		<b>Order</b>	0002590
<b>Approves</b>	P. SAWA	<b>Date</b>	09/07/2025

## ROMM\_CONVECT\_DDM\_1675\_1-1675X18X135

**Colour**

04.69=PB-E1 4'X8'T LAMINATE WILMIKA TEXT NO. W3125-16  
04.691=ALVIC LUMAX-SPP/4'X10'X18MM.-BLANCO SUPPERMATT(LX8)

**Edge**

01.405=1 DWK3125AT  
01.4051=1 WHITE 01016

K6L 160160455

<b>R&amp;D REVIEW</b>	
<input checked="" type="checkbox"/>	DWG.Customer
<input type="checkbox"/>	Work Report
<input type="checkbox"/>	Function
<input type="checkbox"/>	สินค้าตรงตัวอย่าง
ผู้ทบทวน <u>P.SAWA</u>	
<u>5 / 8 / 68</u>	



<b>Model</b>	-ROMM_CONVECT_DDM_1675_1		
<b>Creator</b>	SUTTHI.P	<b>.BCP Name</b>	INDEX_C3D_KITCHENPAE
<b>Reviewer</b>		<b>Order</b>	0002590
<b>Approves</b>	P. SAWA	<b>Date</b>	09/07/2025



<b>Model</b>	ROMM_CONVECT_DDM_600_1		
<b>Creator</b>	SUTTHI.P	<b>.BCP Name</b>	INDEX_C3D_KITCHENPAE
<b>Reviewer</b>		<b>Order</b>	0002597
<b>Approves</b>	P. SAWA	<b>Date</b>	09/07/2025

## ROMM\_CONVECT\_DDM\_600\_1-600X18X135

### Colour

04.69=PB-E1 4'X8'T LAMINATE WILMIKA TEXT NO. W3125-16  
04.691=ALVIC LUMAX-SPP/4'X10'X18MM.-BLANCO SUPPERMATT(LX8)

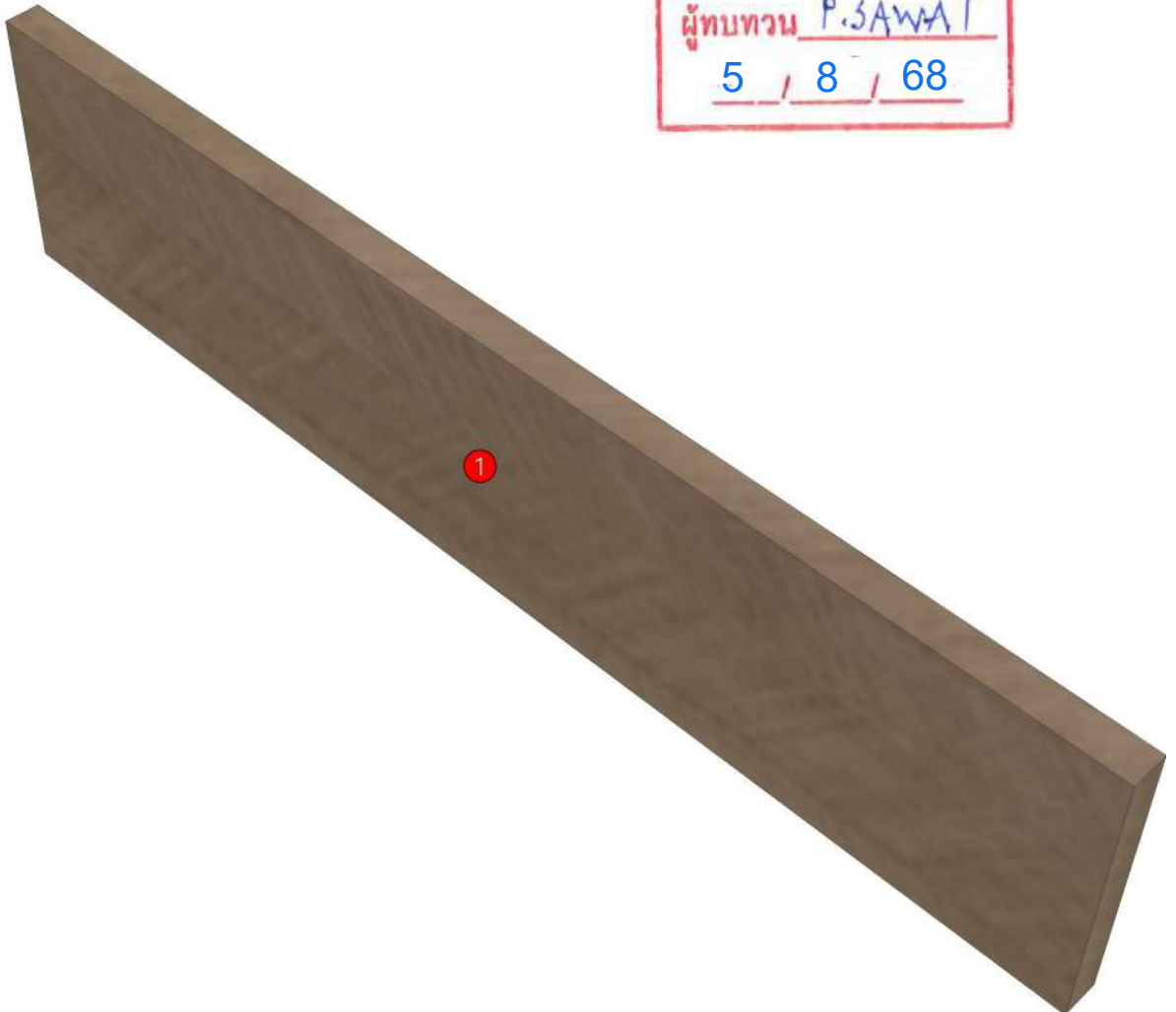
### Edge

01.405=1 DWK3125AT  
01.4051=1 WHITE 01016

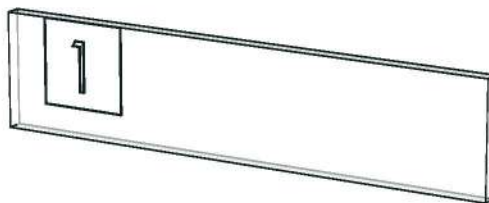
K6L 160160455

K19L 160161410

<b>R&amp;D REVIEW</b>	
<input checked="" type="checkbox"/>	DWG.Customer
<input type="checkbox"/>	Work Report
<input type="checkbox"/>	Function
<input type="checkbox"/>	สินค้าตรงตัวอย่าง
ผู้ทบทวน P.SAWA /	
5 / 8 / 68	



<b>Model</b>	-ROMM_CONVECT_DDM_600_1		
<b>Creator</b>	SUTTHI.P	<b>.BCP Name</b>	INDEX_C3D_KITCHENPAE
<b>Reviewer</b>		<b>Order</b>	0002597
<b>Approves</b>	<i>P. SAWA</i>	<b>Date</b>	09/07/2025



<b>Model</b>	ROMM_CONVECT_DDM_1190_9_1		
<b>Creator</b>	SUTTHI.P	<b>.BCP Name</b>	INDEX_C3D_KITCHENPAE
<b>Reviewer</b>		<b>Order</b>	0002666
<b>Approves</b>	P.SAWA	<b>Date</b>	22/07/2025

## ROMM\_CONVECT\_DDM\_1190\_9\_1-1190X9X365

### Colour

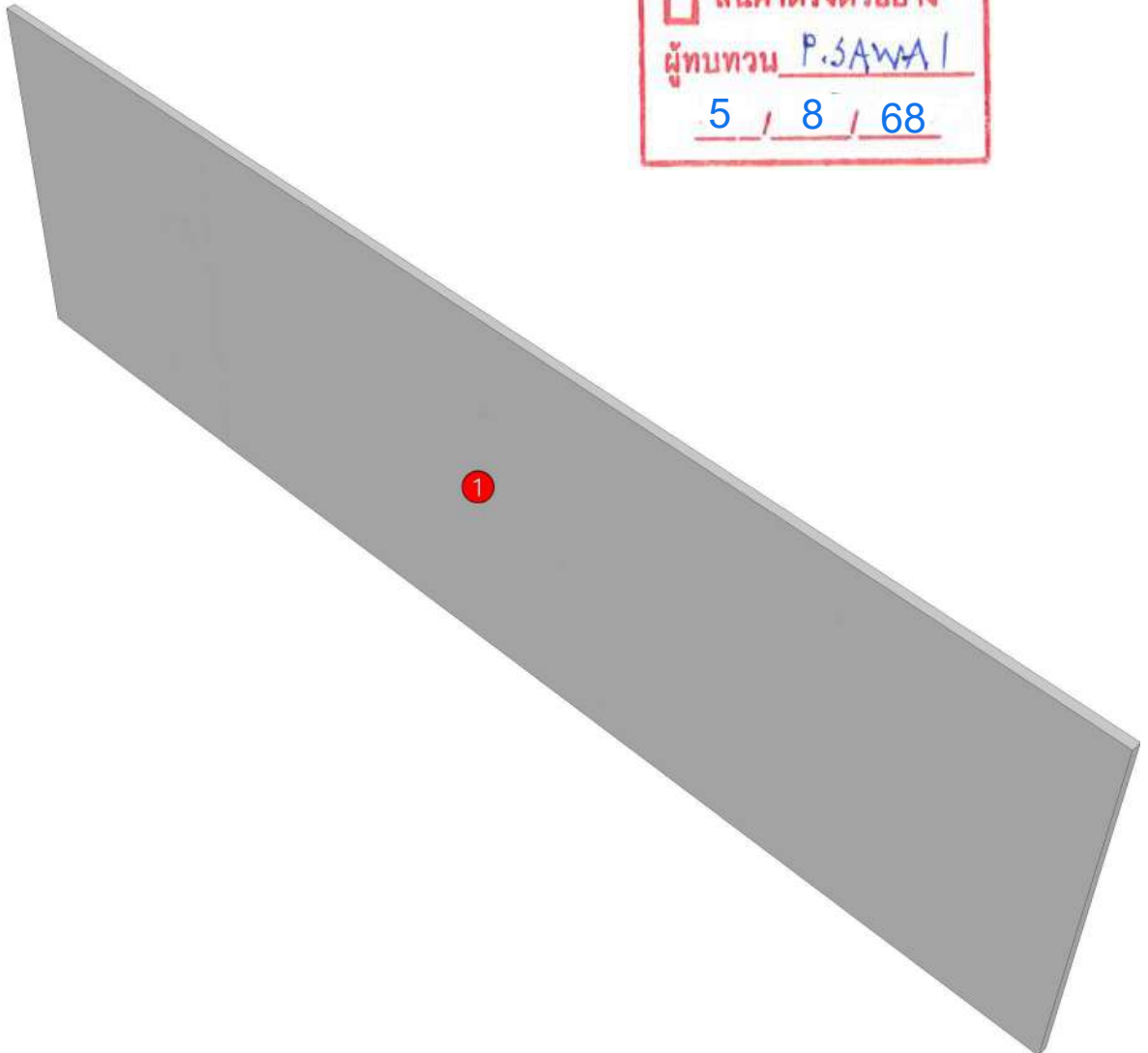
04.69=PB-E1 4'X8'T LAMINATE WILMIKA TEXT NO. W3125-16  
04.691=ALVIC LUMAX-SPP/4'X10'X18MM.-BLANCO SUPPERMATT(LX8  
05.01=ML WHITE VM1012 18/18

### Edge

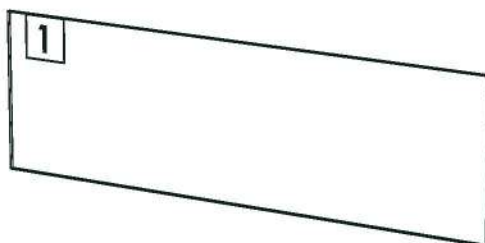
01.405=1 DWK3125AT  
01.4051=1 WHITE 01016

K6L 160160455

<b>R&amp;D REVIEW</b>	
<input checked="" type="checkbox"/>	DWG.Customer
<input type="checkbox"/>	Work Report
<input type="checkbox"/>	Function
<input type="checkbox"/>	สินค้าตรงตัวอย่าง
ผู้ทบทวน P.SAWA	
5 / 8 / 68	



<b>Model</b>	-ROMM_CONVECT_DDM_1190_9_1		
<b>Creator</b>	SUTTHI.P	<b>.BCP Name</b>	INDEX_C3D_KITCHENPAE
<b>Reviewer</b>		<b>Order</b>	0002666
<b>Approves</b>	<i>P. SAWA</i>	<b>Date</b>	22/07/2025



<b>Model</b>	ROMM_CONVECT_DDM_1675_6_1		
<b>Creator</b>	SUTTHI.P	<b>.BCP Name</b>	INDEX_C3D_KITCHENPAE
<b>Reviewer</b>		<b>Order</b>	O002589
<b>Approves</b>	P. SAWA I	<b>Date</b>	09/07/2025

## ROMM\_CONVECT\_DDM\_1675\_6\_1-1675X6X365

**Colour**

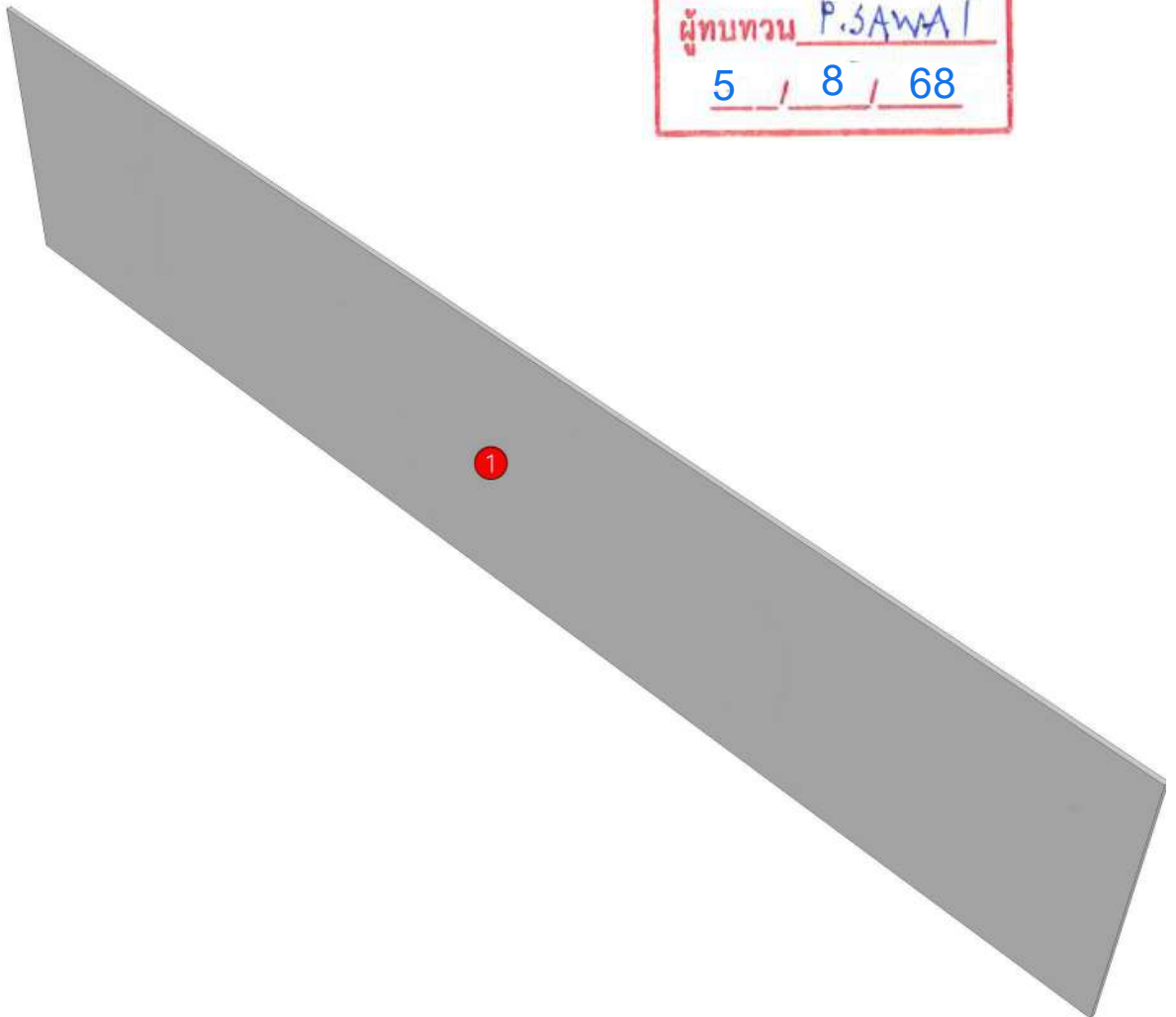
04.69=PB-E1 4'X8'T LAMINATE WILMIKA TEXT NO. W3125-16  
04.691=ALVIC LUMAX-SPP/4'X10'X18MM.-BLANCO SUPPERMATT(LX8  
03.13=PVC WHITE#630 T0.15MM.

**Edge**

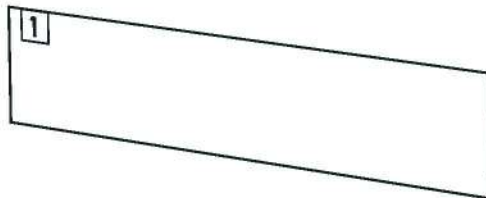
01.405=1 DWK3125AT  
01.4051=1 WHITE 01016

K6L 160160455

<b>R&amp;D REVIEW</b>	
<input checked="" type="checkbox"/>	DWG.Customer
<input type="checkbox"/>	Work Report
<input type="checkbox"/>	Function
<input type="checkbox"/>	สินค้าตรงตัวอย่าง
ผู้ทบทวน P.SAWA I	
5 / 8 / 68	



<b>Model</b>	-ROMM_CONVECT_DDM_1675_6_1		
<b>Creator</b>	SUTTHI.P	<b>.BCP Name</b>	INDEX_C3D_KITCHENPAE
<b>Reviewer</b>		<b>Order</b>	0002589
<b>Approves</b>	P. SAWA	<b>Date</b>	09/07/2025



<b>Model</b>	ROMM_CONVECT_DEP_1420_1		
<b>Creator</b>	SUTTHI.P	<b>.BCP Name</b>	INDEX_C3D_KITCHENPAE
<b>Reviewer</b>		<b>Order</b>	O002606
<b>Approves</b>	P.SAWA	<b>Date</b>	09/07/2025

## **ROMM\_CONVECT\_DEP\_1420\_1-1420X18X860**

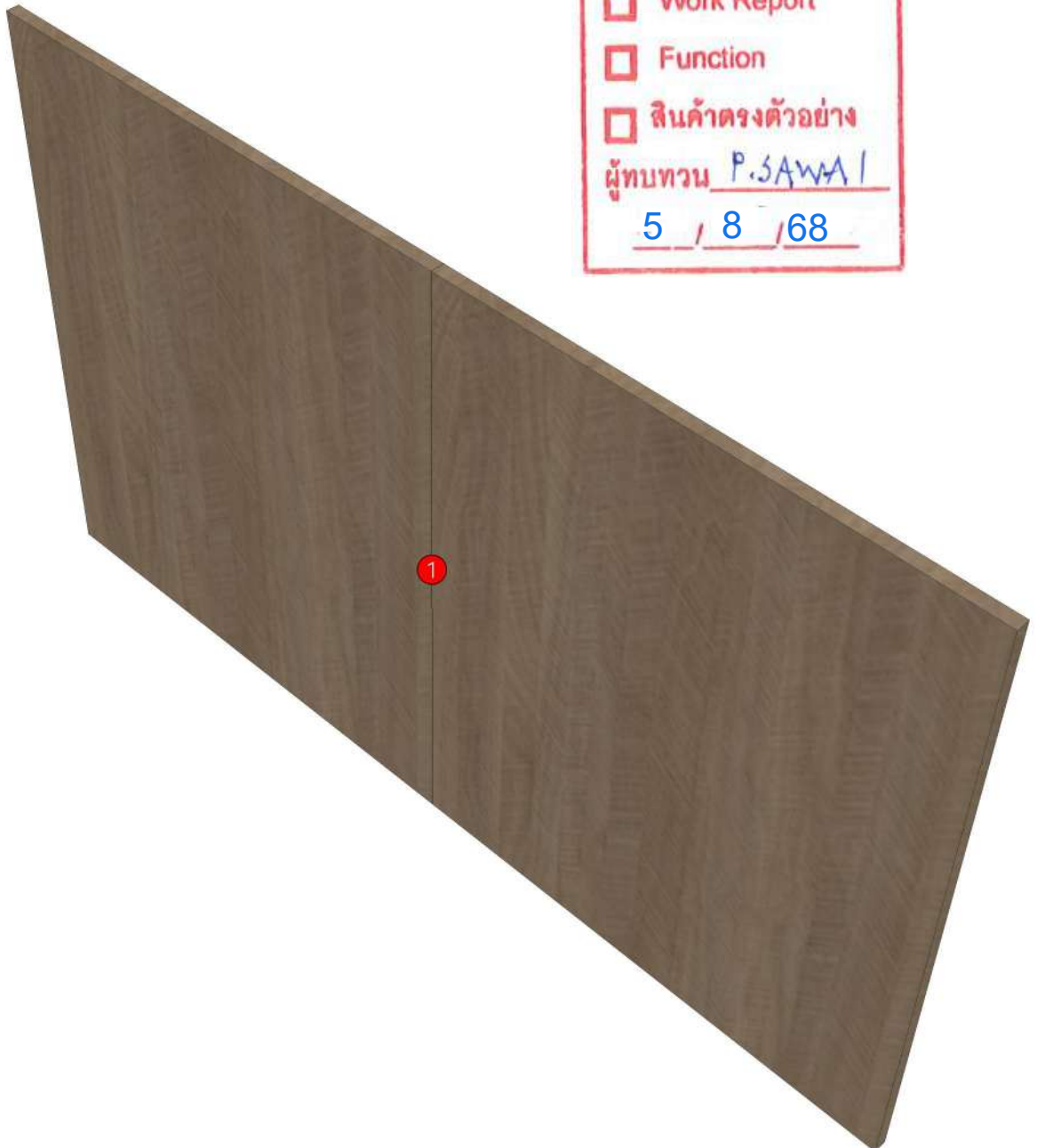
**Colour**

04.69=PB-E1 4'X8'T LAMINATE WILMIKA TEXT NO. W3125-16  
04.691=ALVIC LUMAX-SPP/4'X10'X18MM.-BLANCO SUPPERMATT(LX8)

**Edge**

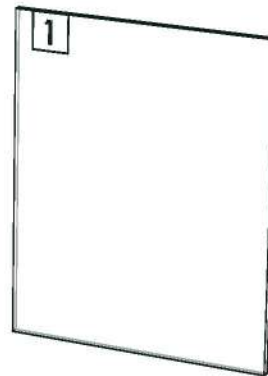
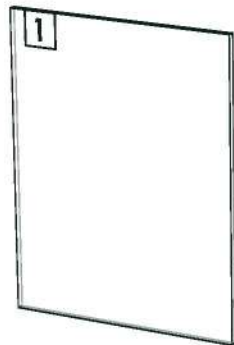
01.405=1 DWK3125AT  
01.4051=1 WHITE 01016

K6L 160160455



<b>R&amp;D REVIEW</b>	
<input checked="" type="checkbox"/>	DWG.Customer
<input type="checkbox"/>	Work Report
<input type="checkbox"/>	Function
<input type="checkbox"/>	สินค้าตรงตัวอย่าง
ผู้ทบทวน <u>P.SAWA</u>	
<u>5</u> / <u>8</u> / <u>68</u>	

<b>Model</b>	-ROMM_CONVECT_DEP_1420_1		
<b>Creator</b>	SUTTHI.P	<b>.BCP Name</b>	INDEX_C3D_KITCHENPAE
<b>Reviewer</b>		<b>Order</b>	0002606
<b>Approves</b>	<i>P. SAWA</i>	<b>Date</b>	09/07/2025



<b>Model</b>	ROMM_CONVECT_DEP_600I_1		
<b>Creator</b>	SUTTHI.P	<b>.BCP Name</b>	INDEX_C3D_KITCHENPAE
<b>Reviewer</b>		<b>Order</b>	O002610
<b>Approves</b>	<i>P. SAWA</i>	<b>Date</b>	09/07/2025

## **ROMM\_CONVECT\_DEP\_600I\_1-600X12X860**

**Colour**

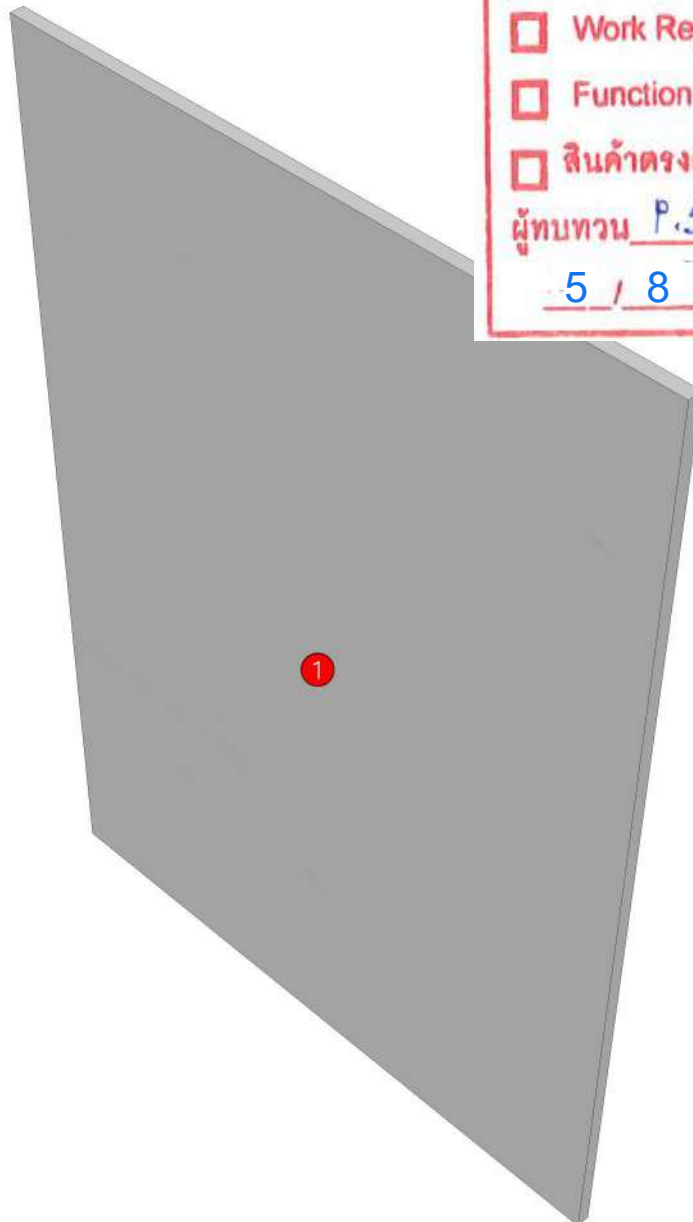
04.69=PB-E1 4'X8'T LAMINATE WILMIKA TEXT NO. W3125-16  
04.691=ALVIC LUMAX-SPP/4'X10'X18MM.-BLANCO SUPPERMATT(LX8  
05.01=ML WHITE VM1012 18/18

**Edge**

01.405=1 DWK3125AT  
01.4051=1 WHITE 01016  
01.47=1 WHITE

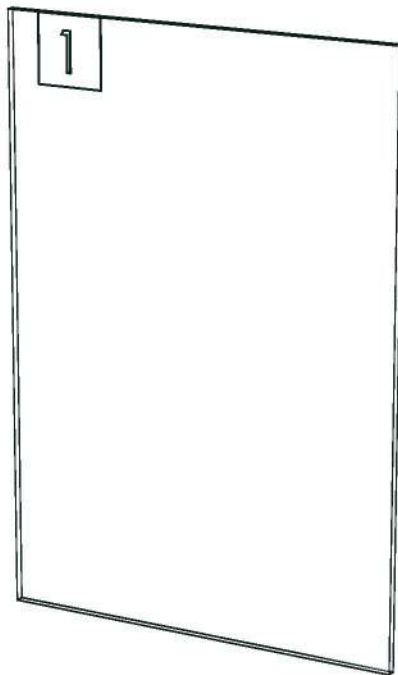
K6L 160160455

K19L 160161410



<b>R&amp;D REVIEW</b>	
<input checked="" type="checkbox"/>	DWG.Customer
<input type="checkbox"/>	Work Report
<input type="checkbox"/>	Function
<input type="checkbox"/>	สินค้าตรงตัวอย่าง
ผู้ทบทวน <u>P.SAWA</u>	
<u>5 / 8 / 68</u>	

<b>Model</b>	-ROMM_CONVECT_DEP_600I_1		
<b>Creator</b>	SUTTHI.P	<b>.BCP Name</b>	INDEX_C3D_KITCHENPAE
<b>Reviewer</b>		<b>Order</b>	0002610
<b>Approves</b>	P. SAWA	<b>Date</b>	09/07/2025



<b>Model</b>	ROMM_CONVECT_DFCL_1350_1		
<b>Creator</b>	SUTTHI.P	<b>.BCP Name</b>	INDEX_C3D_KITCHENPAE
<b>Reviewer</b>		<b>Order</b>	O002617
<b>Approves</b>	P. SAWA	<b>Date</b>	09/07/2025

## **ROMM\_CONVECT\_DFCL\_1350\_1-1350X9X100**

**Colour**

04.69=PB-E1 4'X8'T LAMINATE WILMIKA TEXT NO. W3125-16  
04.691=ALVIC LUMAX-SPP/4'X10'X18MM.-BLANCO SUPPERMATT(LX8)

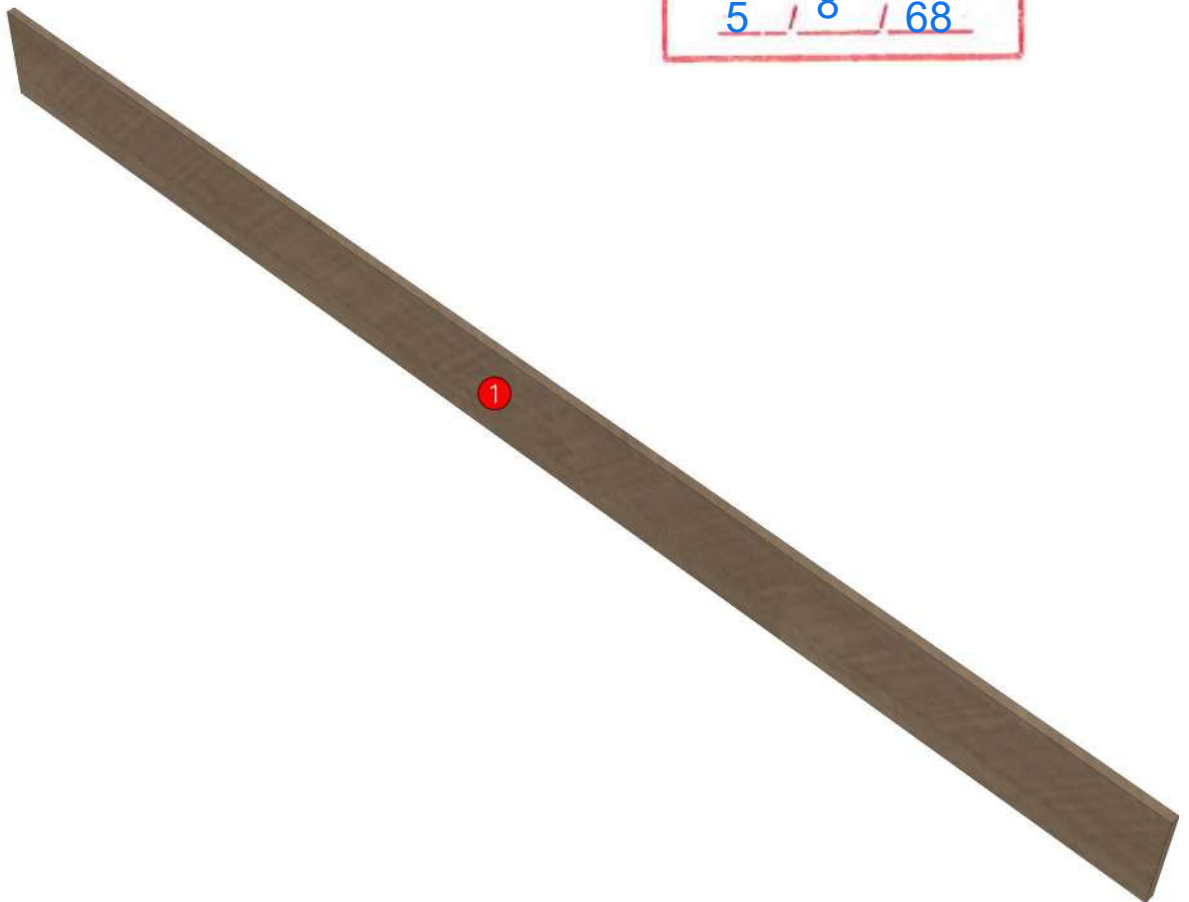
**Edge**

01.405=1 DWK3125AT  
01.4051=1 WHITE 01016

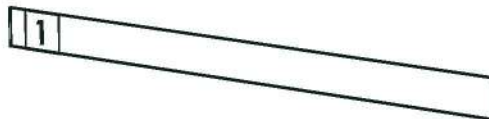
K4L 160166148

K6L 160160455

<b>R&amp;D REVIEW</b>	
<input checked="" type="checkbox"/>	DWG.Customer
<input type="checkbox"/>	Work Report
<input type="checkbox"/>	Function
<input type="checkbox"/>	สินค้าตรงตัวอย่าง
ผู้ทบทวน <u>P.SAWA</u>	
<u>5</u> / <u>8</u> / <u>68</u>	



<b>Model</b>	-ROMM_CONVECT_DFCL_1350_1		
<b>Creator</b>	SUTTHI.P	<b>.BCP Name</b>	INDEX_C3D_KITCHENPAE
<b>Reviewer</b>		<b>Order</b>	0002617
<b>Approves</b>	P. SAWA	<b>Date</b>	09/07/2025



<b>Model</b>	ROMM_CONVECT_DFCL_2270_1		
<b>Creator</b>	SUTTHI.P	<b>.BCP Name</b>	INDEX_C3D_KITCHENPAE
<b>Reviewer</b>		<b>Order</b>	O002620
<b>Approves</b>	<i>P.SAWA</i>	<b>Date</b>	09/07/2025

## ROMM\_CONVECT\_DFCL\_2270\_1-2270X9X100

**Colour**

04.69=PB-E1 4'X8'T LAMINATE WILMIKA TEXT NO. W3125-16  
04.691=ALVIC LUMAX-SPP/4'X10'X18MM.-BLANCO SUPPERMATT(LX8)

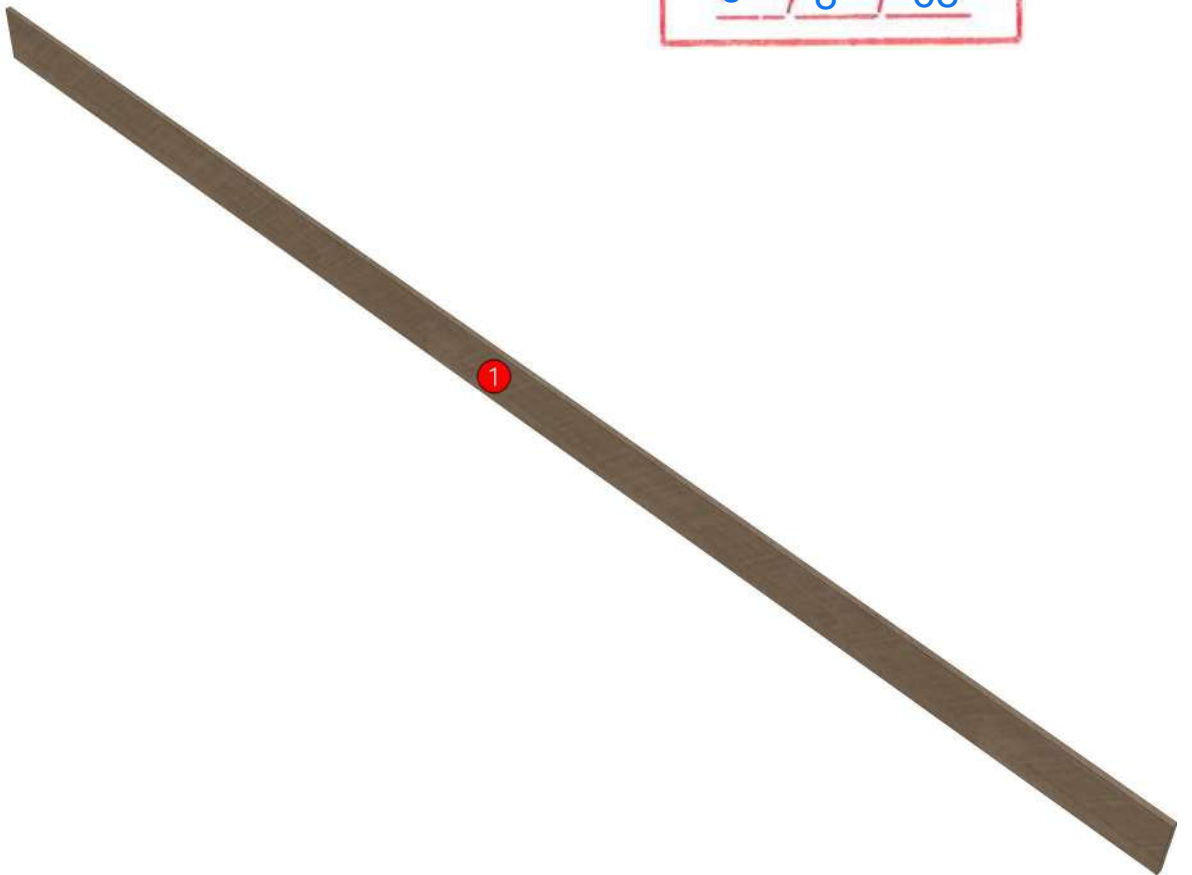
**Edge**

01.405=1 DWK3125AT  
01.4051=1 WHITE 01016

K6L 160160455

K14L 160152715

<b>R&amp;D REVIEW</b>	
<input checked="" type="checkbox"/>	DWG.Customer
<input type="checkbox"/>	Work Report
<input type="checkbox"/>	Function
<input type="checkbox"/>	สินค้าตรงตัวอย่าง
ผู้ทบทวน <u>P.SAWA</u>	
<u>5</u> / <u>8</u> / <u>68</u>	



<b>Model</b>	-ROMM_CONVECT_DFCL_2270_1		
<b>Creator</b>	SUTTHI.P	<b>.BCP Name</b>	INDEX_C3D_KITCHENPAE
<b>Reviewer</b>		<b>Order</b>	0002620
<b>Approves</b>	<i>P. SAWA</i>	<b>Date</b>	09/07/2025



<b>Model</b>	ROMM_CONVECT_DFCL_330_1		
<b>Creator</b>	SUTTHI.P	<b>.BCP Name</b>	INDEX_C3D_KITCHENPAE
<b>Reviewer</b>		<b>Order</b>	O002624
<b>Approves</b>	<i>P. SAWA</i>	<b>Date</b>	09/07/2025

## ROMM\_CONVECT\_DFCL\_330\_1-330X9X100

### Colour

04.69=PB-E1 4'X8'T LAMINATE WILMIKA TEXT NO. W3125-16  
04.691=ALVIC LUMAX-SPP/4'X10'X18MM.-BLANCO SUPPERMATT(LX8)

### Edge

01.405=1 DWK3125AT  
01.4051=1 WHITE 01016

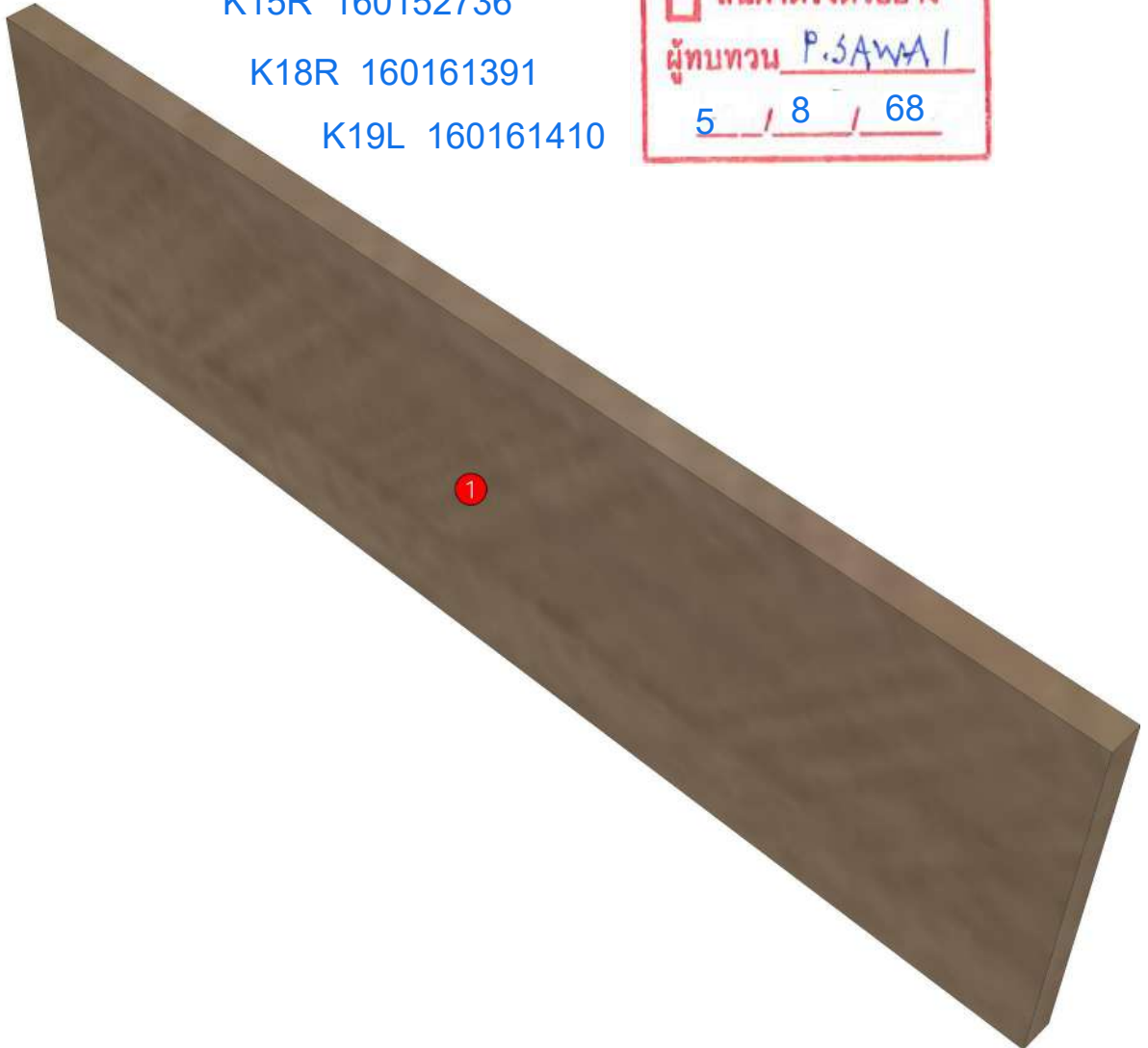
K1R 160160423    K6L 160160455  
K3R 160161323    K10R 160161347  
K4L 160166148    K13L 160161368  
K5R 160152669    K14L 160152715

K15R 160152736

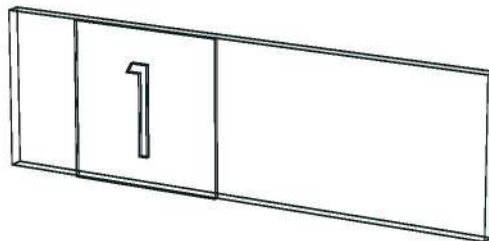
K18R 160161391

K19L 160161410

<b>R&amp;D REVIEW</b>	
<input checked="" type="checkbox"/>	DWG.Customer
<input type="checkbox"/>	Work Report
<input type="checkbox"/>	Function
<input type="checkbox"/>	สินค้าตรงตัวอย่าง
ผู้ทบทวน <u>P.SAWA</u>	
5 / 8 / 68	



<b>Model</b>	-ROMM_CONVECT_DFCL_330_1		
<b>Creator</b>	SUTTHI.P	<b>.BCP Name</b>	INDEX_C3D_KITCHENPAE
<b>Reviewer</b>		<b>Order</b>	0002624
<b>Approves</b>	<i>P. SAWA</i>	<b>Date</b>	09/07/2025



<b>Model</b>	ROMM_CONVECT_DL107_1		
<b>Creator</b>	SUTTHI.P	<b>.BCP Name</b>	INDEX_C3D_KITCHENPAE
<b>Reviewer</b>		<b>Order</b>	O002502
<b>Approves</b>	<i>P.SAWA</i>	<b>Date</b>	09/06/2025

## **ROMM\_CONVECT\_DL107\_1-1070X350X680**

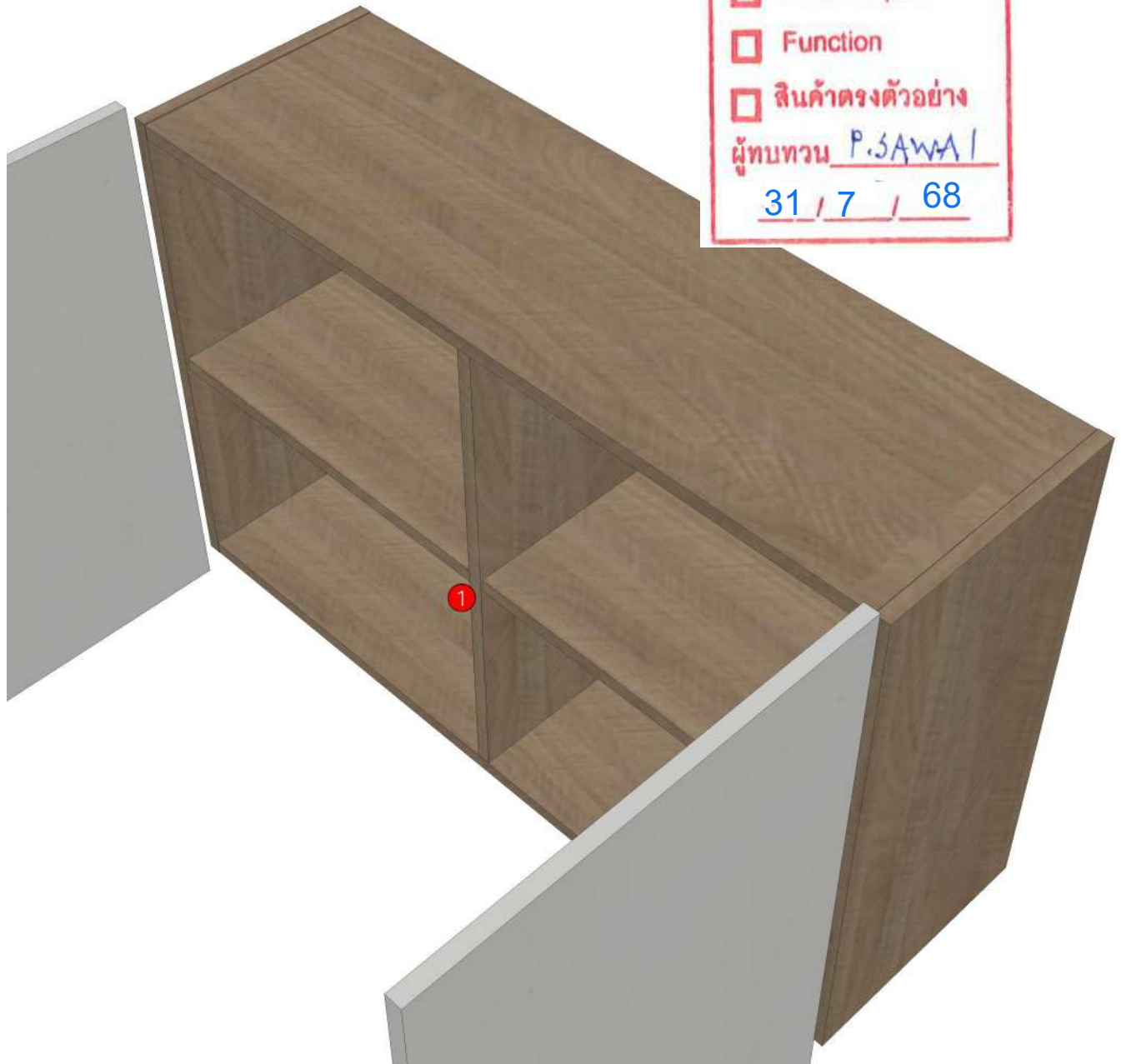
**Colour**

04.69=PB-E1 4'X8'T LAMINATE WILMIKA TEXT NO. W3125-16  
04.691=ALVIC LUMAX-SPP/4'X10'X18MM.-BLANCO SUPPERMATT(LX8  
04.692=PB-E1 4'X9'T. LAMINA WILMIKA TEXT NO. W3125-16  
04.693=HPL WILMIKA NO. W3125-16/HPL.TD#9201 PL

**Edge**

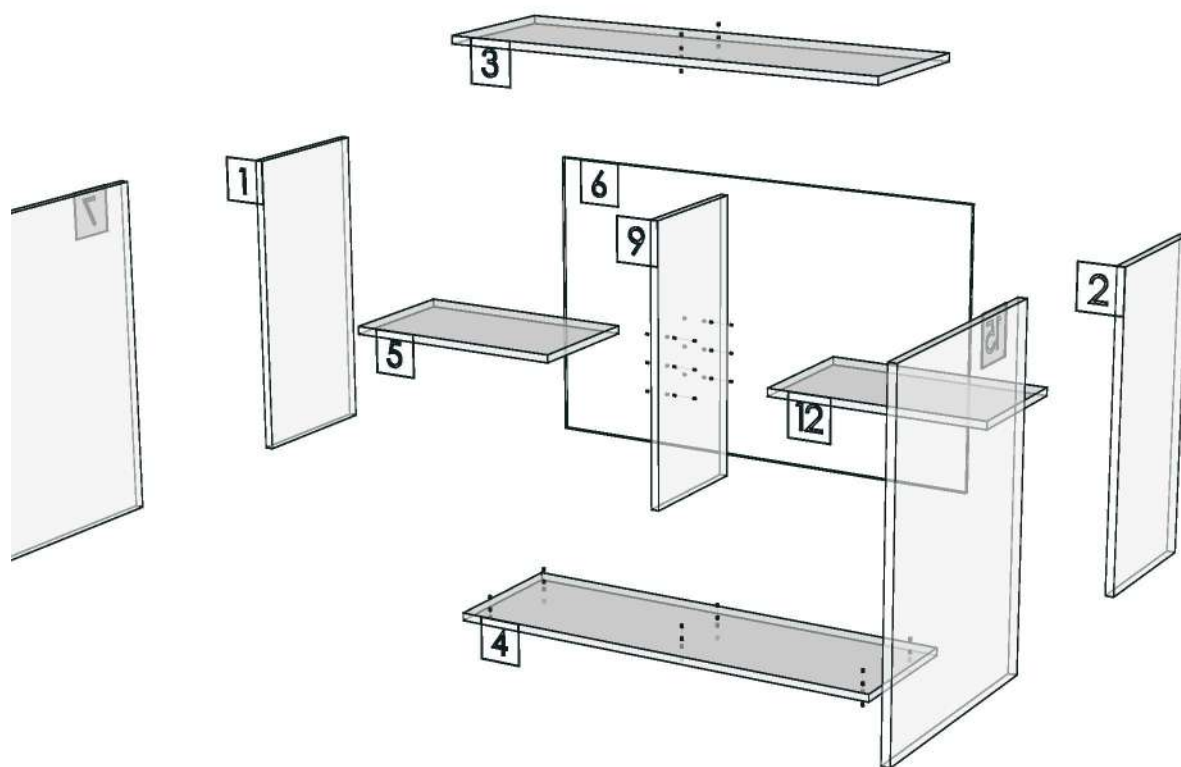
01.405=1 DWK3125AT  
01.4051=1 WHITE 01016

**K6L 160160455**



<b>R&amp;D REVIEW</b>	
<input checked="" type="checkbox"/>	DWG.Customer
<input type="checkbox"/>	Work Report
<input type="checkbox"/>	Function
<input type="checkbox"/>	สินค้าตรงตัวอย่าง
ผู้ทบทวน <i>P.SAWA</i>	
<i>31 / 7 / 68</i>	

<b>Model</b>	-ROMM_CONVECT_DL107_1		
<b>Creator</b>	SUTTHI.P	<b>.BCP Name</b>	INDEX_C3D_KITCHENPAE
<b>Reviewer</b>		<b>Order</b>	O002502
<b>Approves</b>	<i>P. SAWA</i>	<b>Date</b>	09/06/2025



<b>Model</b>	ROMM_CONVECT_DL605L_1		
<b>Creator</b>	SUTTHI.P	<b>.BCP Name</b>	INDEX_C3D_KITCHENPAE
<b>Reviewer</b>		<b>Order</b>	O002515
<b>Approves</b>	<i>P.SAWA</i>	<b>Date</b>	09/06/2025

## ROMM\_CONVECT\_DL605L\_1-605X330X680

### Colour

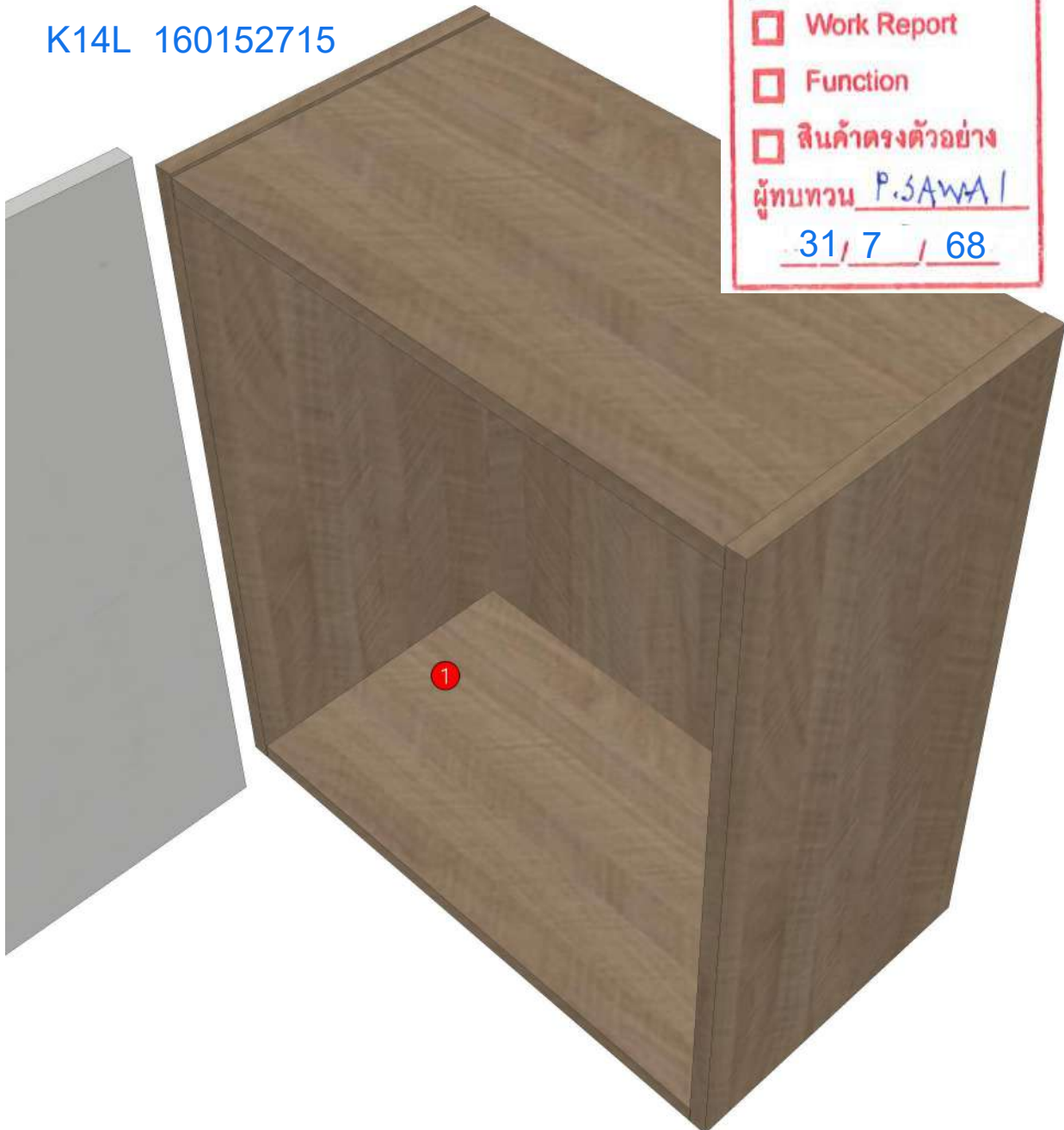
04.69=PB-E1 4'X8'T LAMINATE WILMIKA TEXT NO. W3125-16  
04.691=ALVIC LUMAX-SPP/4'X10'X18MM.-BLANCO SUPPERMATT(LX8  
04.692=PB-E1 4'X9'T. LAMINA WILMIKA TEXT NO. W3125-16  
04.693=HPL WILMIKA NO. W3125-16/HPL.TD#9201 PL

### Edge

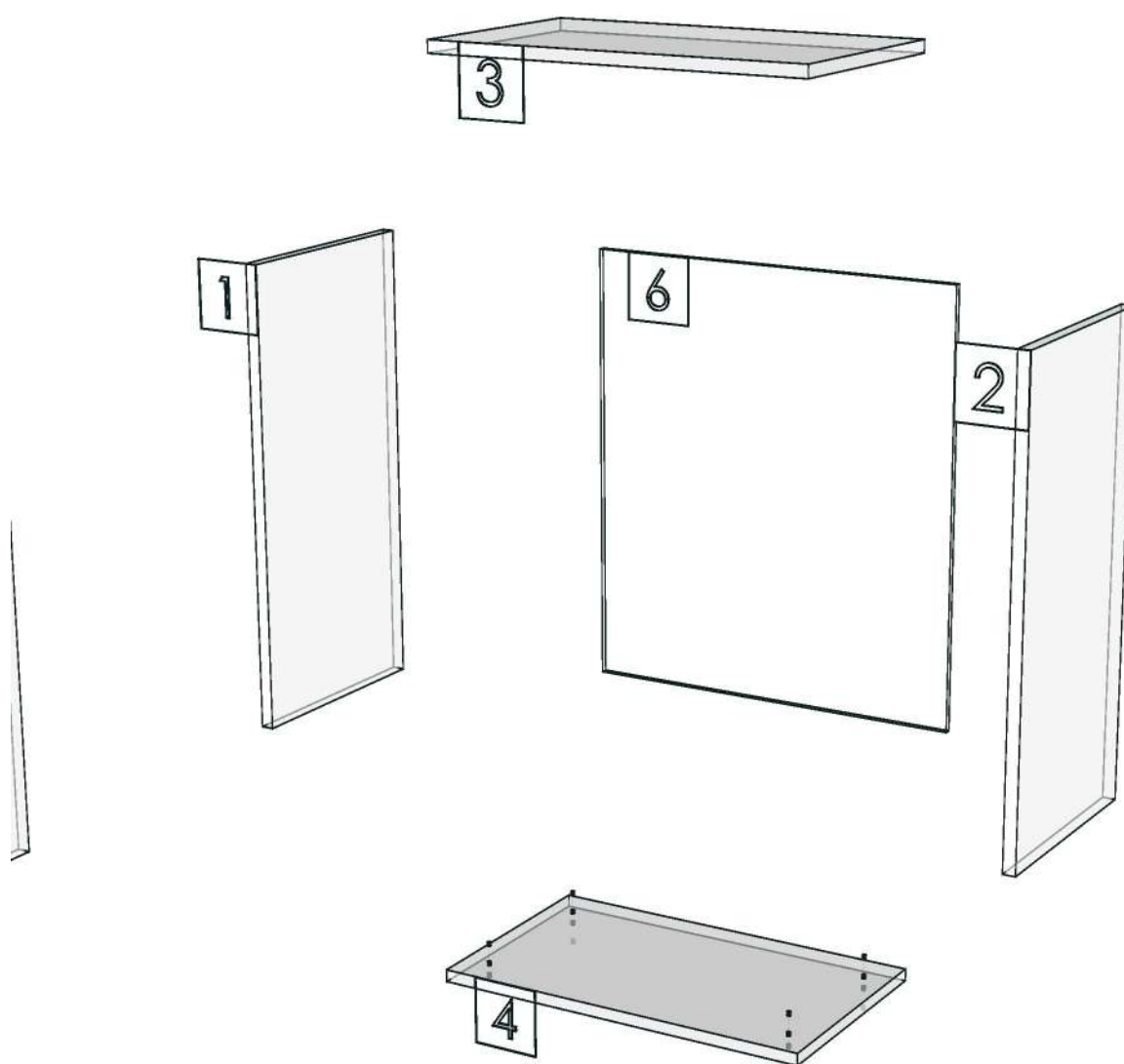
01.405=1 DWK3125AT  
01.4051=1 WHITE 01016

K6L 160160455  
K13L 160161368  
K14L 160152715

<b>R&amp;D REVIEW</b>	
<input checked="" type="checkbox"/>	DWG.Customer
<input type="checkbox"/>	Work Report
<input type="checkbox"/>	Function
<input type="checkbox"/>	สินค้าตรงตัวอย่าง
ผู้ทบทวน <u>P.SAWA</u>	
<u>31 / 7 / 68</u>	



<b>Model</b>	-ROMM_CONVECT_DL605L_1		
<b>Creator</b>	SUTTHI.P	<b>.BCP Name</b>	INDEX_C3D_KITCHENPAE
<b>Reviewer</b>		<b>Order</b>	O002515
<b>Approves</b>	<i>P. SAWA</i>	<b>Date</b>	09/06/2025



<b>Model</b>	ROMM_CONVECT_DL60HR_SR_1		
<b>Creator</b>	SUTTHI.P	<b>.BCP Name</b>	INDEX_C3D_KITCHENPAE
<b>Reviewer</b>		<b>Order</b>	O002513
<b>Approves</b>	<i>P.SAWA</i>	<b>Date</b>	09/06/2025

## **ROMM\_CONVECT\_DL60HR\_SR\_1-600X330X1025**

### **Colour**

04.69=PB-E1 4'X8'T LAMINATE WILMIKA TEXT NO. W3125-16  
04.691=ALVIC LUMAX-SPP/4'X10'X18MM.-BLANCO SUPPERMATT(LX8)  
04.692=PB-E1 4'X9'T. LAMINA WILMIKA TEXT NO. W3125-16  
04.693=HPL WILMIKA NO. W3125-16/HPL.TD#9201 PL

### **Edge**

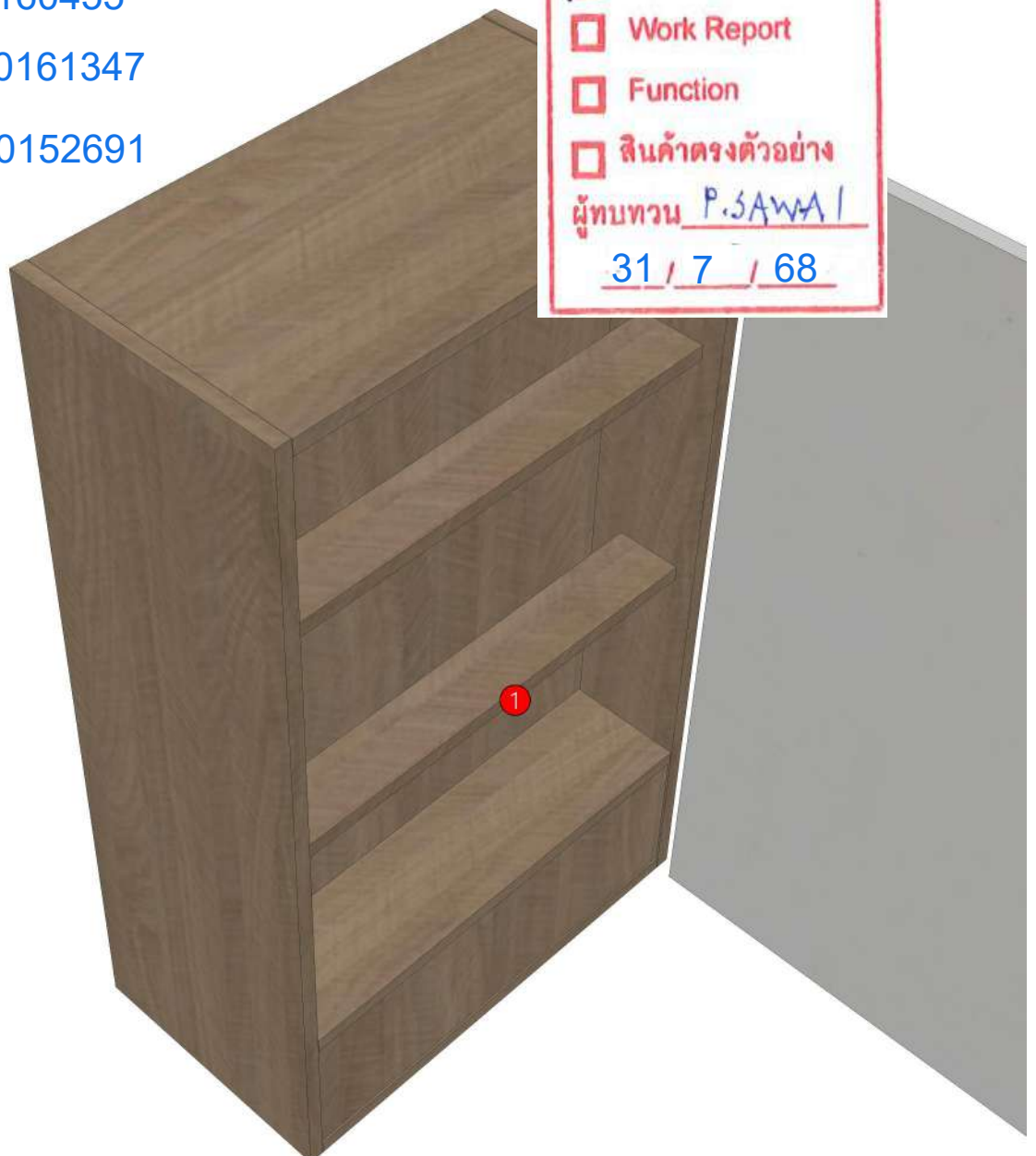
01.405=1 DWK3125AT  
01.4051=1 WHITE 01016

K4L 160166148

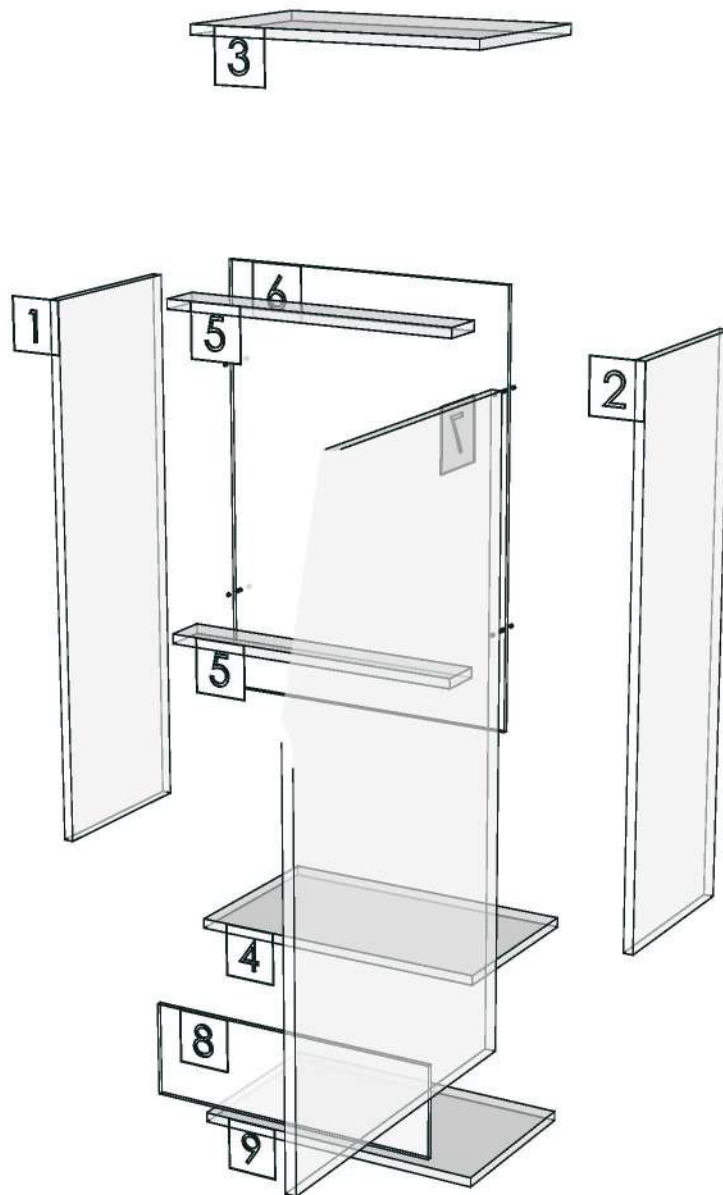
K6L 160160455

K10R 160161347

K11L 160152691



<b>Model</b>	-ROMM_CONVECT_DL60HR_SR_1		
<b>Creator</b>	SUTTHI.P	<b>.BCP Name</b>	INDEX_C3D_KITCHENPAE
<b>Reviewer</b>		<b>Order</b>	0002513
<b>Approves</b>	<i>P. SAWA</i>	<b>Date</b>	09/06/2025



<b>Model</b>	ROMM_CONVECT_DL60RR_1		
<b>Creator</b>	SUTTHI.P	<b>.BCP Name</b>	INDEX_C3D_KITCHENPAE
<b>Reviewer</b>		<b>Order</b>	O002514
<b>Approves</b>	<i>P. SAWA</i>	<b>Date</b>	09/06/2025

## **ROMM\_CONVECT\_DL60RR\_1-600X330X700**

### **Colour**

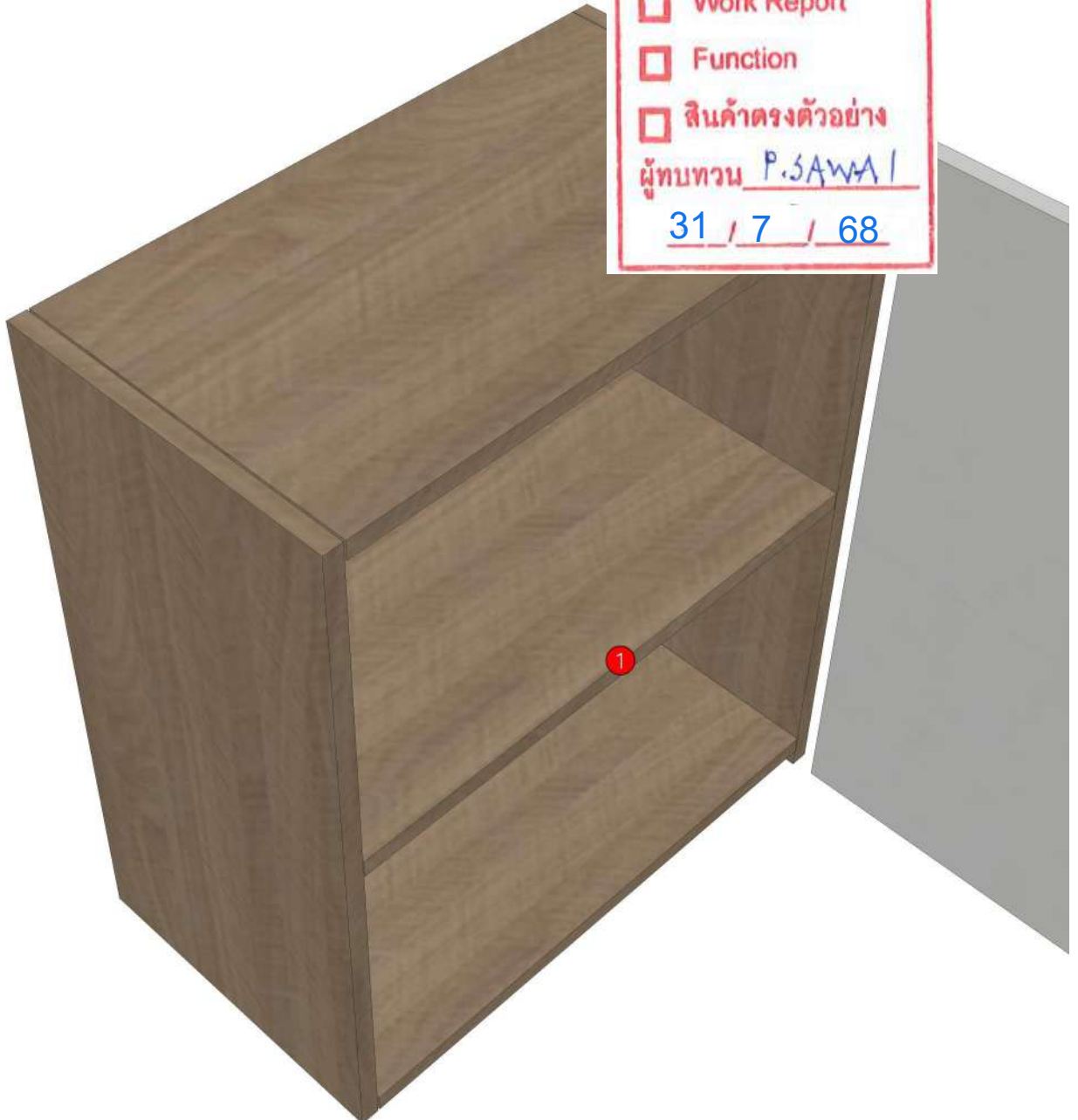
04.69=PB-E1 4'X8'T LAMINATE WILMIKA TEXT NO. W3125-16  
04.691=ALVIC LUMAX-SPP/4'X10'X18MM.-BLANCO SUPPERMATT(LX8)  
04.692=PB-E1 4'X9'T. LAMINA WILMIKA TEXT NO. W3125-16  
04.693=HPL WILMIKA NO. W3125-16/HPL.TD#9201 PL

### **Edge**

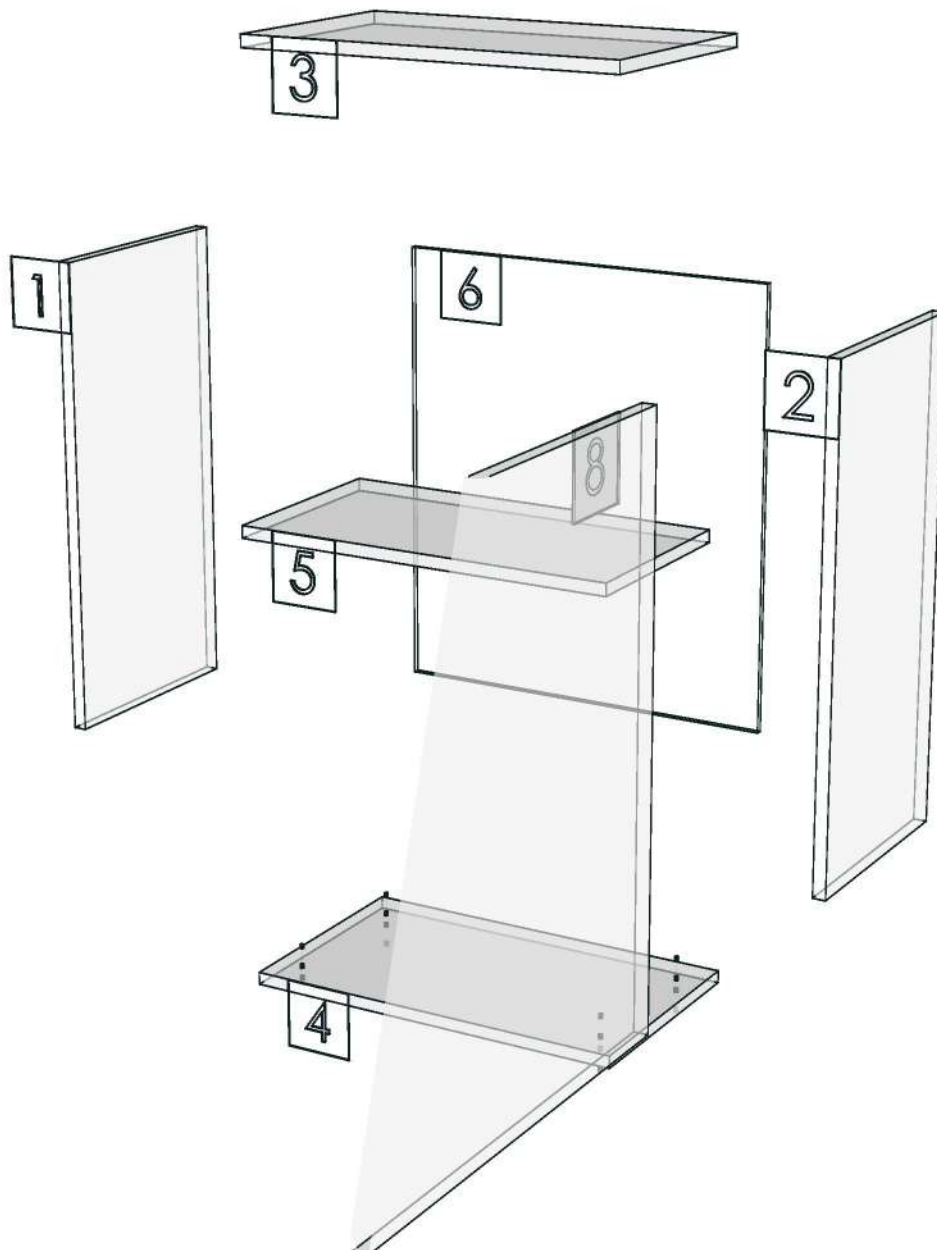
01.405=1 DWK3125AT  
01.4051=1 WHITE 01016

**K6L 160160455**

<b>R&amp;D REVIEW</b>	
<input checked="" type="checkbox"/>	DWG.Customer
<input type="checkbox"/>	Work Report
<input type="checkbox"/>	Function
<input type="checkbox"/>	สินค้าตรงตัวอย่าง
ผู้ทบทวน <u>P.SAWA</u>	
<u>31 / 7 / 68</u>	



<b>Model</b>	-ROMM_CONVECT_DL60RR_1		
<b>Creator</b>	SUTTHI.P	<b>.BCP Name</b>	INDEX_C3D_KITCHENPAE
<b>Reviewer</b>		<b>Order</b>	0002514
<b>Approves</b>	<i>P. SAWA</i>	<b>Date</b>	09/06/2025



<b>Model</b>	ROMM_CONVECT_DL65L_1		
<b>Creator</b>	SUTTHI.P	<b>.BCP Name</b>	INDEX_C3D_KITCHENPAE
<b>Reviewer</b>		<b>Order</b>	O002519
<b>Approves</b>	<i>P. SAWA</i>	<b>Date</b>	09/06/2025

## **ROMM\_CONVECT\_DL65L\_1-650X330X700**

### **Colour**

04.69=PB-E1 4'X8'T LAMINATE WILMIKA TEXT NO. W3125-16  
04.691=ALVIC LUMAX-SPP/4'X10'X18MM.-BLANCO SUPPERMATT(LX8  
04.692=PB-E1 4'X9'T. LAMINA WILMIKA TEXT NO. W3125-16  
04.693=HPL WILMIKA NO. W3125-16/HPL.TD#9201 PL

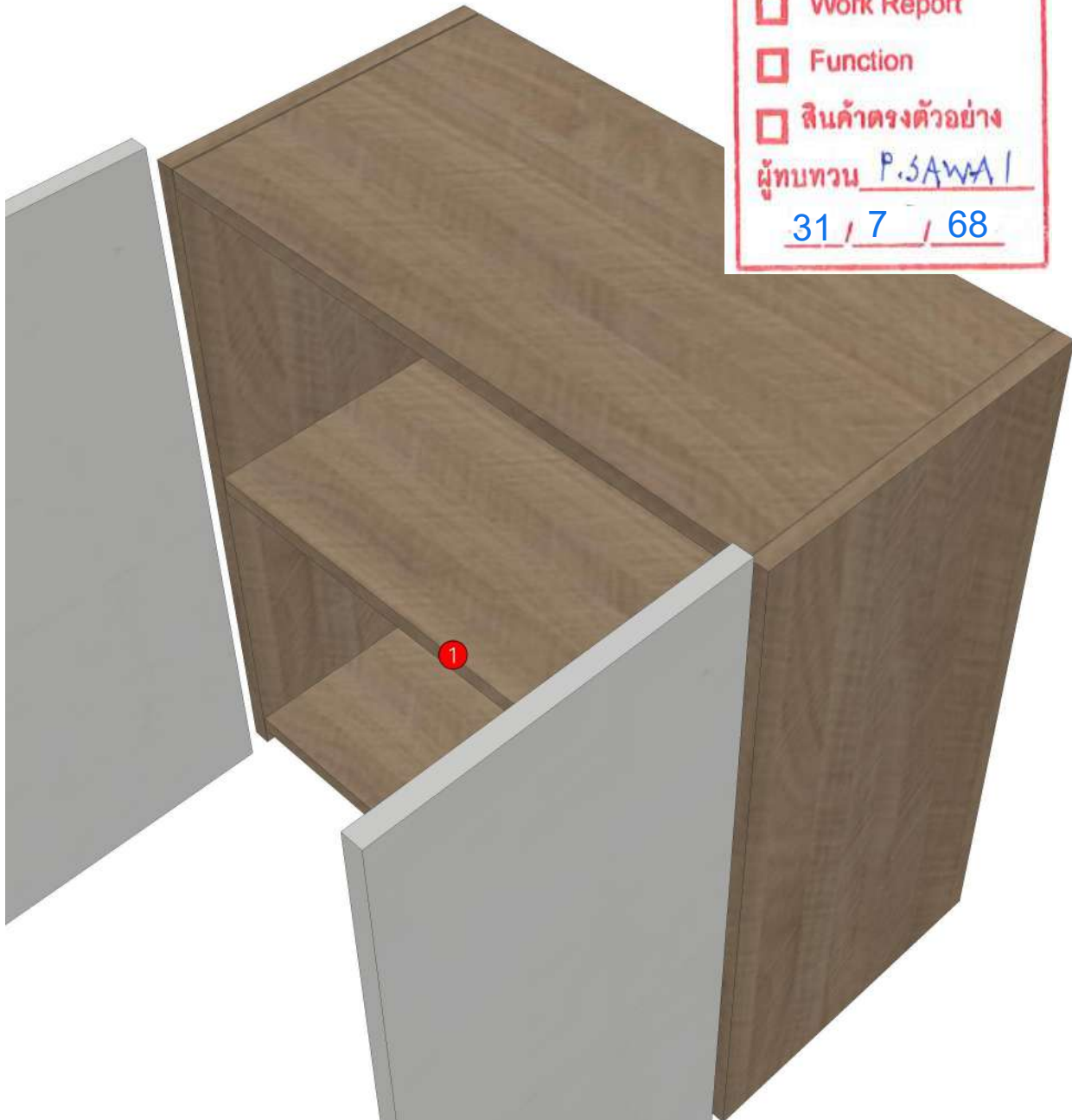
### **Edge**

01.405=1 DWK3125AT  
01.4051=1 WHITE 01016

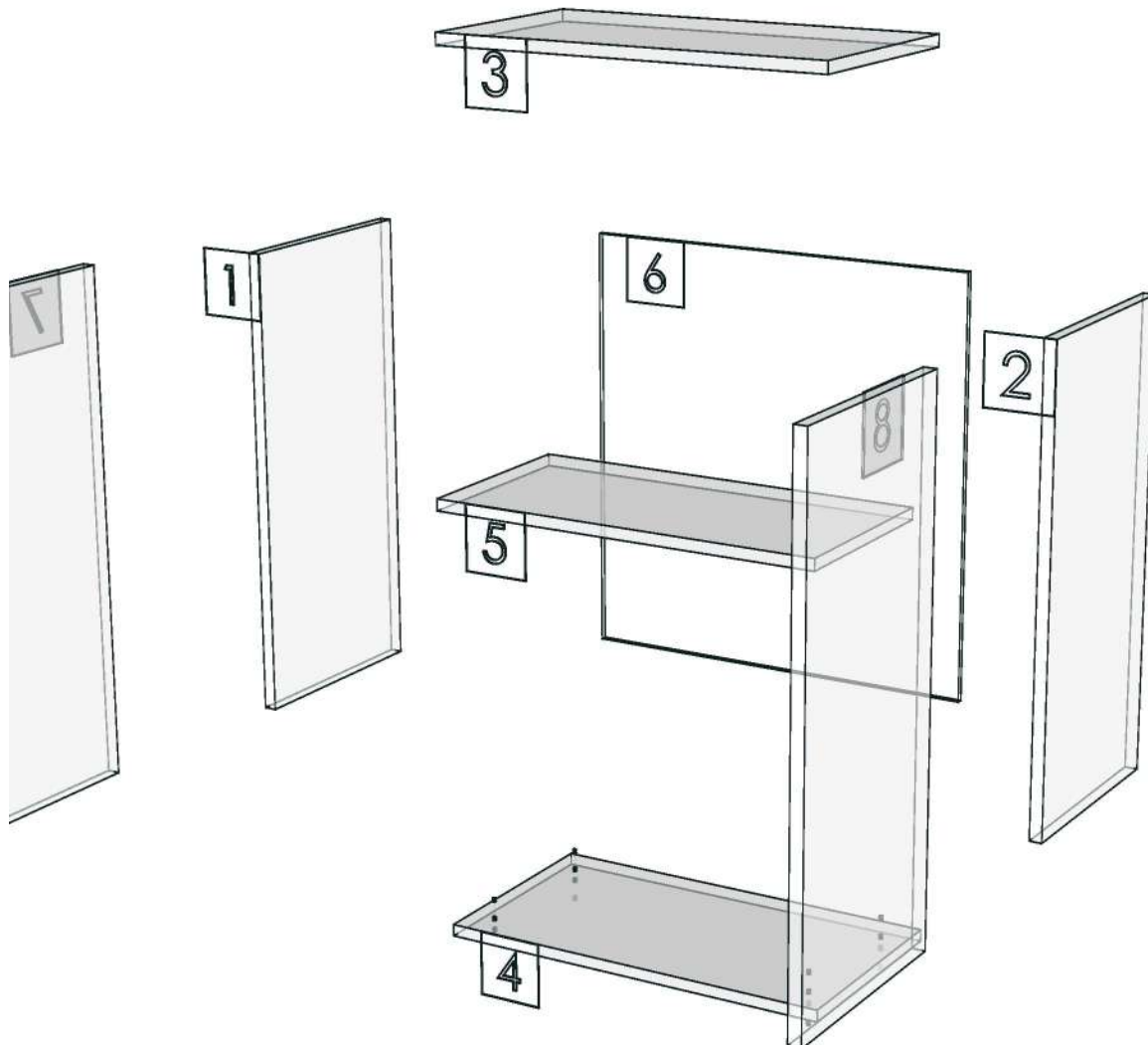
**K2R 160160436**

**K6L 160160455**

<b>R&amp;D REVIEW</b>	
<input checked="" type="checkbox"/>	DWG.Customer
<input type="checkbox"/>	Work Report
<input type="checkbox"/>	Function
<input type="checkbox"/>	สินค้าตรงตัวอย่าง
ผู้ทบทวน <u>P.SAWA</u>	
<u>31 / 7 / 68</u>	



<b>Model</b>	-ROMM_CONVECT_DL65L_1		
<b>Creator</b>	SUTTHI.P	<b>.BCP Name</b>	INDEX_C3D_KITCHENPAE
<b>Reviewer</b>		<b>Order</b>	O002519
<b>Approves</b>	<i>P. SAWA</i>	<b>Date</b>	09/06/2025



<b>Model</b>	ROMM_CONVECT_DPLT_1380_1		
<b>Creator</b>	SUTTHI.P	<b>.BCP Name</b>	INDEX_C3D_KITCHENPAE
<b>Reviewer</b>		<b>Order</b>	O002634
<b>Approves</b>	P.SAWA	<b>Date</b>	10/07/2025

## ROMM\_CONVECT\_DPLT\_1380\_1-1380X9X100

**Colour**

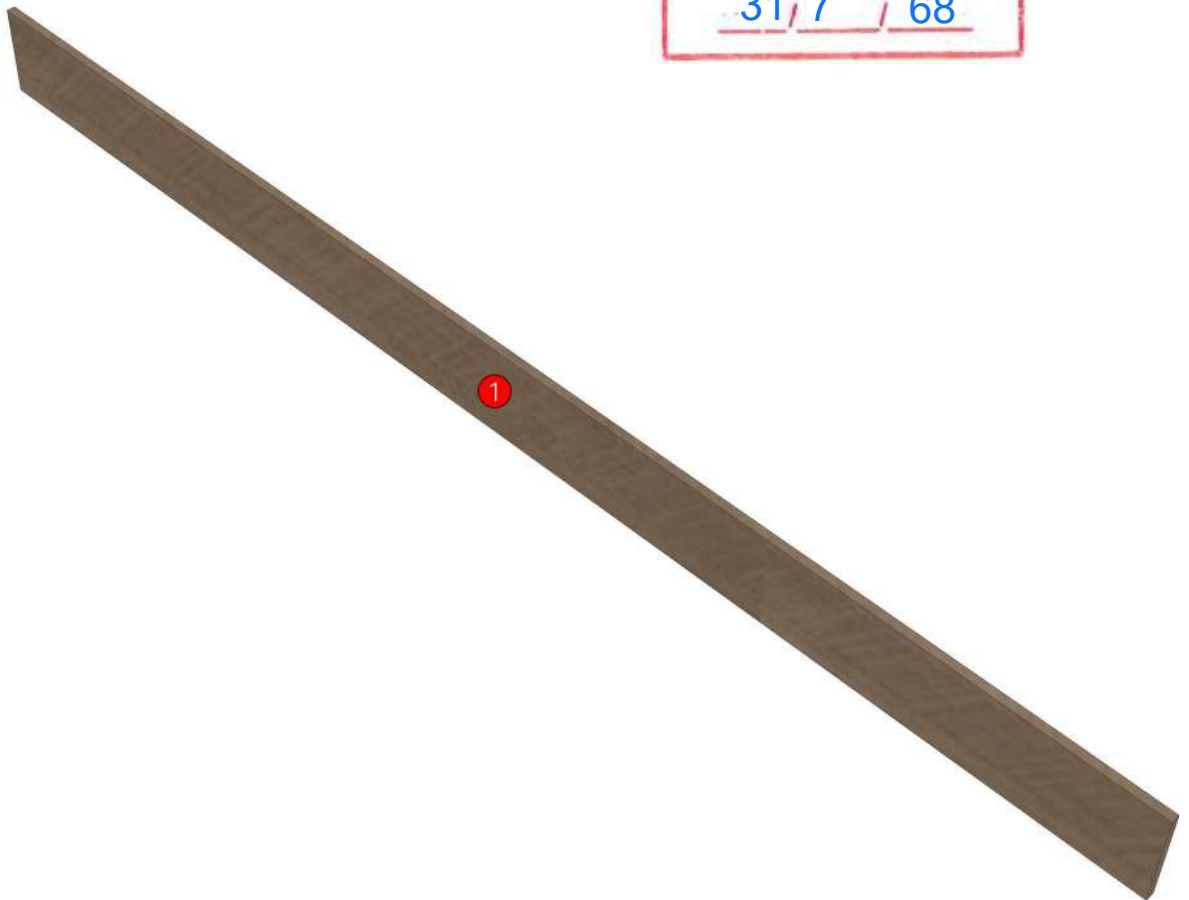
04.69=PB-E1 4'X8'T LAMINATE WILMIKA TEXT NO. W3125-16  
04.691=ALVIC LUMAX-SPP/4'X10'X18MM.-BLANCO SUPPERMATT(LX8)

**Edge**

01.405=1 DWK3125AT  
01.4051=1 WHITE 01016

K6L 160160455

<b>R&amp;D REVIEW</b>	
<input checked="" type="checkbox"/>	DWG.Customer
<input type="checkbox"/>	Work Report
<input type="checkbox"/>	Function
<input type="checkbox"/>	สินค้าตรงตัวอย่าง
ผู้ทบทวน <u>P.SAWA</u>	
<u>31</u> / <u>7</u> / <u>68</u>	



<b>Model</b>	-ROMM_CONVECT_DPLT_1380_1		
<b>Creator</b>	SUTTHI.P	<b>.BCP Name</b>	INDEX_C3D_KITCHENPAE
<b>Reviewer</b>		<b>Order</b>	0002634
<b>Approves</b>	<i>P. SAWA</i>	<b>Date</b>	10/07/2025



<b>Model</b>	ROMM_CONVECT_DPLT_1420_1		
<b>Creator</b>	SUTTHI.P	<b>.BCP Name</b>	INDEX_C3D_KITCHENPAE
<b>Reviewer</b>		<b>Order</b>	O002635
<b>Approves</b>	P.SAWA	<b>Date</b>	10/07/2025

## ROMM\_CONVECT\_DPLT\_1420\_1-1420X9X100

**Colour**

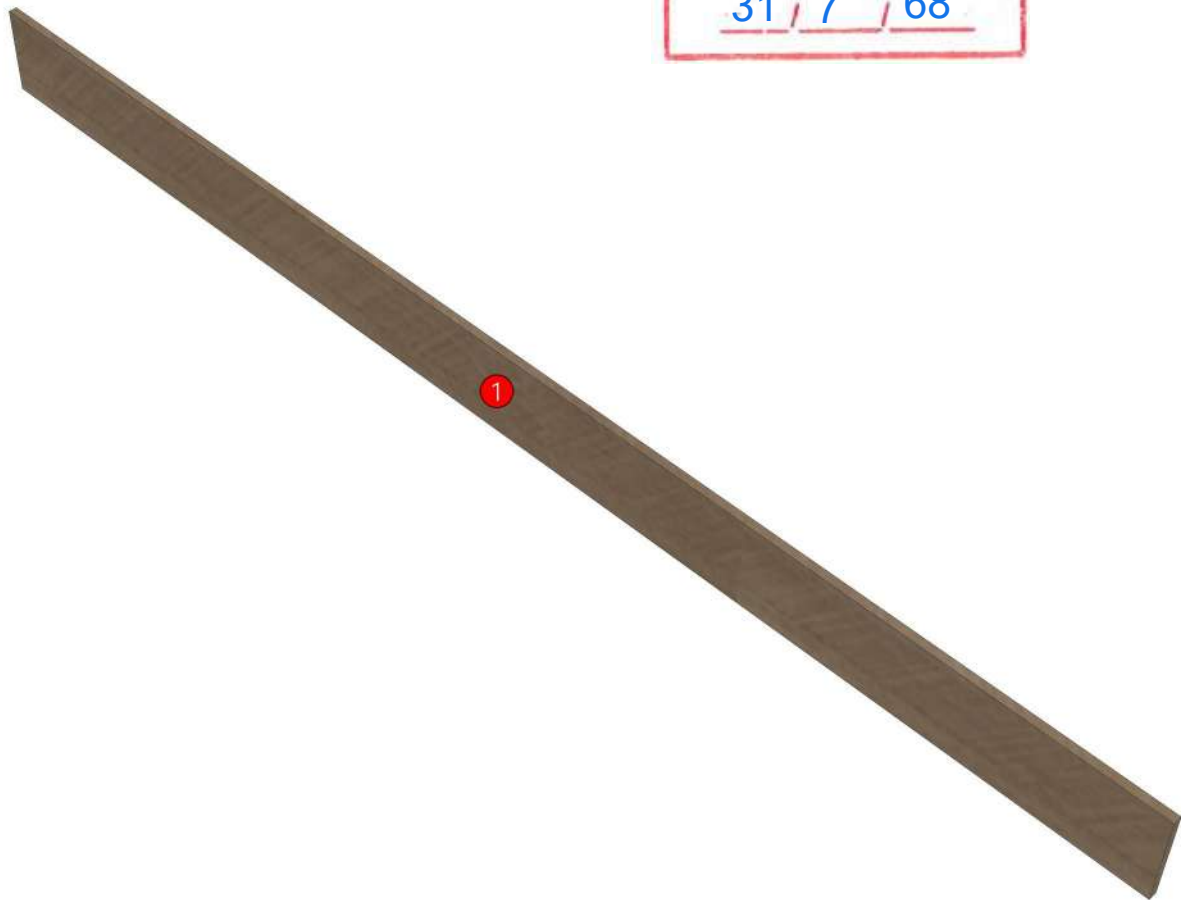
04.69=PB-E1 4'X8'T LAMINATE WILMIKA TEXT NO. W3125-16  
04.691=ALVIC LUMAX-SPP/4'X10'X18MM.-BLANCO SUPPERMATT(LX8)

**Edge**

01.405=1 DWK3125AT  
01.4051=1 WHITE 01016

K6L 160160455

<b>R&amp;D REVIEW</b>	
<input checked="" type="checkbox"/>	DWG.Customer
<input type="checkbox"/>	Work Report
<input type="checkbox"/>	Function
<input type="checkbox"/>	สินค้าตรงตัวอย่าง
ผู้ทบทวน <u>P.SAWA</u>	
<u>31 / 7 / 68</u>	



<b>Model</b>	-ROMM_CONVECT_DPLT_1420_1		
<b>Creator</b>	SUTTHI.P	<b>.BCP Name</b>	INDEX_C3D_KITCHENPAE
<b>Reviewer</b>		<b>Order</b>	0002635
<b>Approves</b>	<i>P. SAWA</i>	<b>Date</b>	10/07/2025



<b>Model</b>	ROMM_CONVECT_DPLT_1455_1		
<b>Creator</b>	SUTTHI.P	<b>.BCP Name</b>	INDEX_C3D_KITCHENPAE
<b>Reviewer</b>		<b>Order</b>	0002636
<b>Approves</b>	P.SAWA	<b>Date</b>	10/07/2025

## ROMM\_CONVECT\_DPLT\_1455\_1-1455X9X100

**Colour**

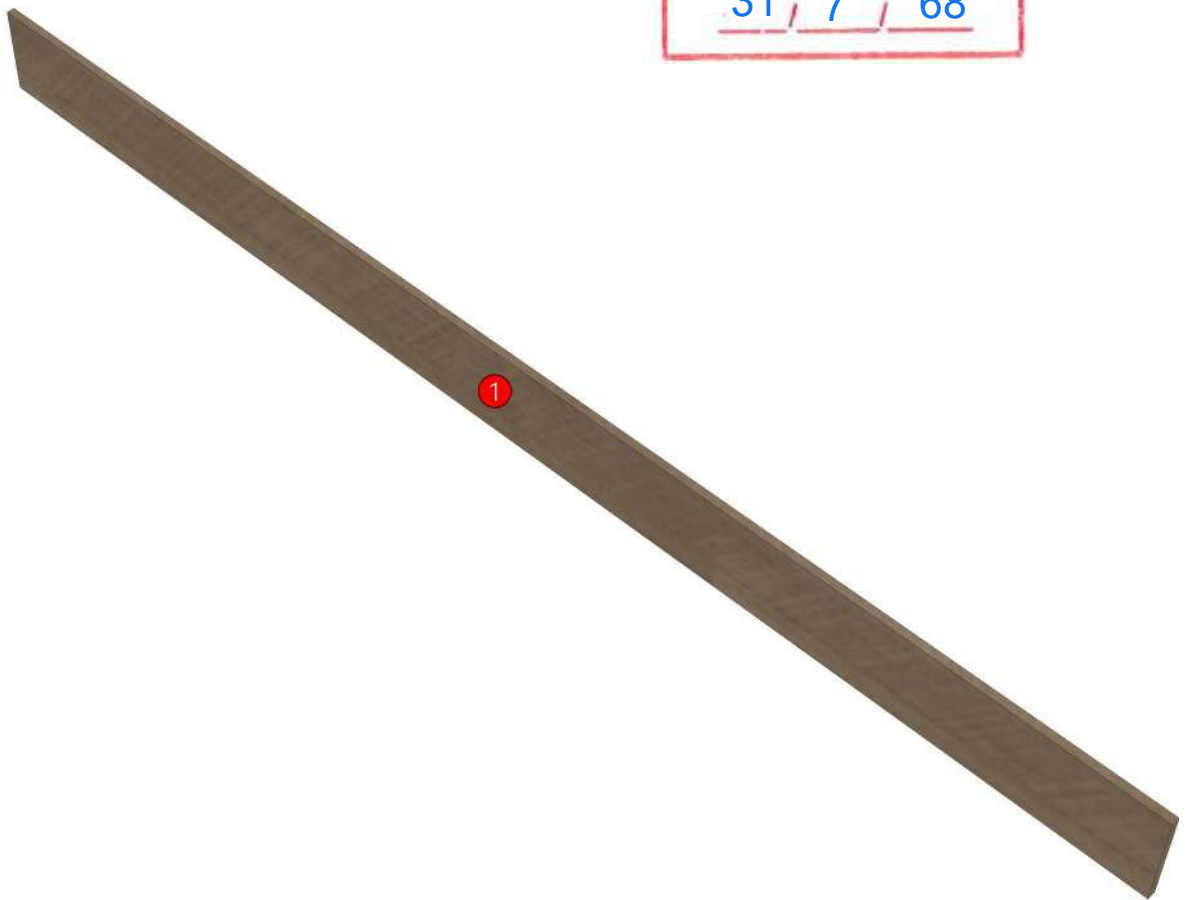
04.69=PB-E1 4'X8'T LAMINATE WILMIKA TEXT NO. W3125-16  
04.691=ALVIC LUMAX-SPP/4'X10'X18MM.-BLANCO SUPPERMATT(LX8)

**Edge**

01.405=1 DWK3125AT  
01.4051=1 WHITE 01016

K6L 160160455

<b>R&amp;D REVIEW</b>	
<input checked="" type="checkbox"/>	DWG.Customer
<input type="checkbox"/>	Work Report
<input type="checkbox"/>	Function
<input type="checkbox"/>	สินค้าตรงตัวอย่าง
ผู้ทบทวน <u>P.SAWA</u>	
<u>31</u> / <u>7</u> / <u>68</u>	



<b>Model</b>	-ROMM_CONVECT_DPLT_1455_1		
<b>Creator</b>	SUTTHI.P	<b>.BCP Name</b>	INDEX_C3D_KITCHENPAE
<b>Reviewer</b>		<b>Order</b>	0002636
<b>Approves</b>	P. SAWA	<b>Date</b>	10/07/2025



<b>Model</b>	ROMM_CONVECT_DSH_1200R50_1		
<b>Creator</b>	SUTTHI.P	<b>.BCP Name</b>	INDEX_C3D_KITCHENPAE
<b>Reviewer</b>		<b>Order</b>	0002535
<b>Approves</b>	<i>P. SAWA</i>	<b>Date</b>	10/06/2025

## **ROMM\_CONVECT\_DSH\_1200R50\_1-1200X350X25**

**Colour**

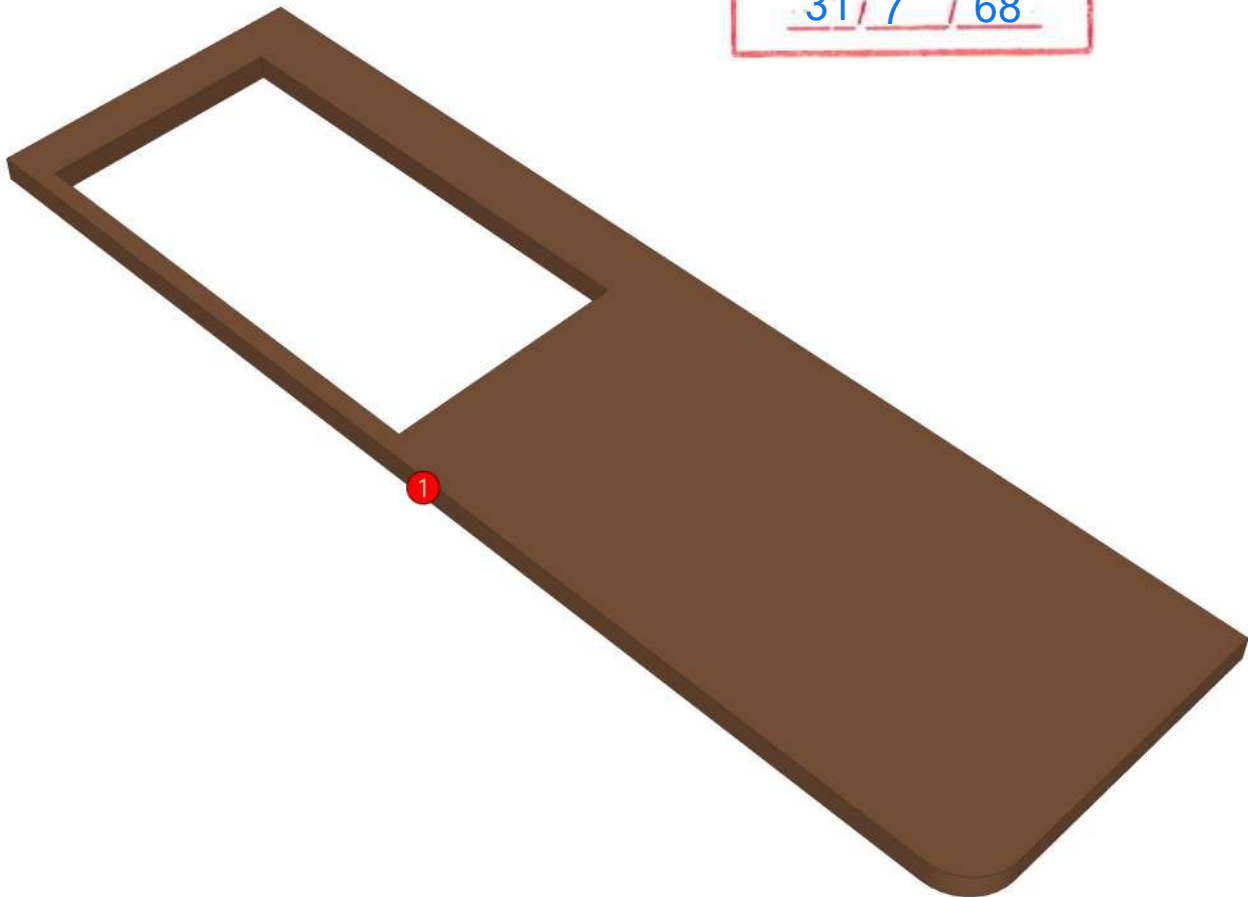
04.69=PB-E1 4'X8'T LAMINATE WILMIKA TEXT NO. W3125-16  
04.691=ALVIC LUMAX-SPP/4'X10'X18MM.-BLANCO SUPPERMATT(LX8)

**Edge**

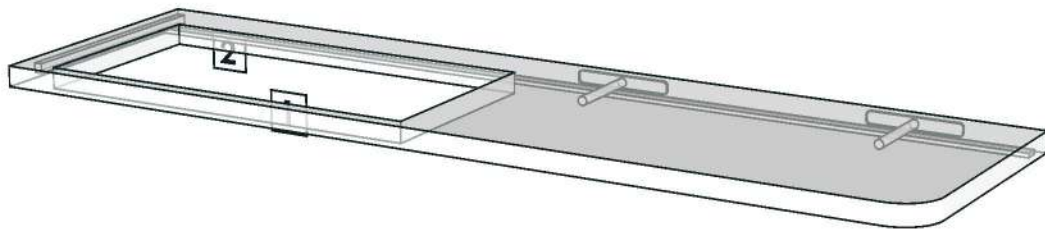
01.405=1 DWK3125AT  
01.4051=1 WHITE 01016

K6L 160160455

<b>R&amp;D REVIEW</b>	
<input checked="" type="checkbox"/>	DWG.Customer
<input type="checkbox"/>	Work Report
<input type="checkbox"/>	Function
<input type="checkbox"/>	สินค้าตรงตัวอย่าง
ผู้ทบทวน <u>P.SAWA</u>	
<u>31 / 7 / 68</u>	



<b>Model</b>	-ROMM_CONVECT_DSH_1200R50_1		
<b>Creator</b>	SUTTHI.P	<b>.BCP Name</b>	INDEX_C3D_KITCHENPAE
<b>Reviewer</b>		<b>Order</b>	O002535
<b>Approves</b>	<i>P. SAWA</i>	<b>Date</b>	10/06/2025



<b>Model</b>	ROMM_CONVECT_DSH_1675_1		
<b>Creator</b>	SUTTHI.P	<b>.BCP Name</b>	INDEX_C3D_KITCHENPAE
<b>Reviewer</b>		<b>Order</b>	O002538
<b>Approves</b>	P.SAWA	<b>Date</b>	10/06/2025

## ROMM\_CONVECT\_DSH\_1675\_1-1675X350X25

**Colour**

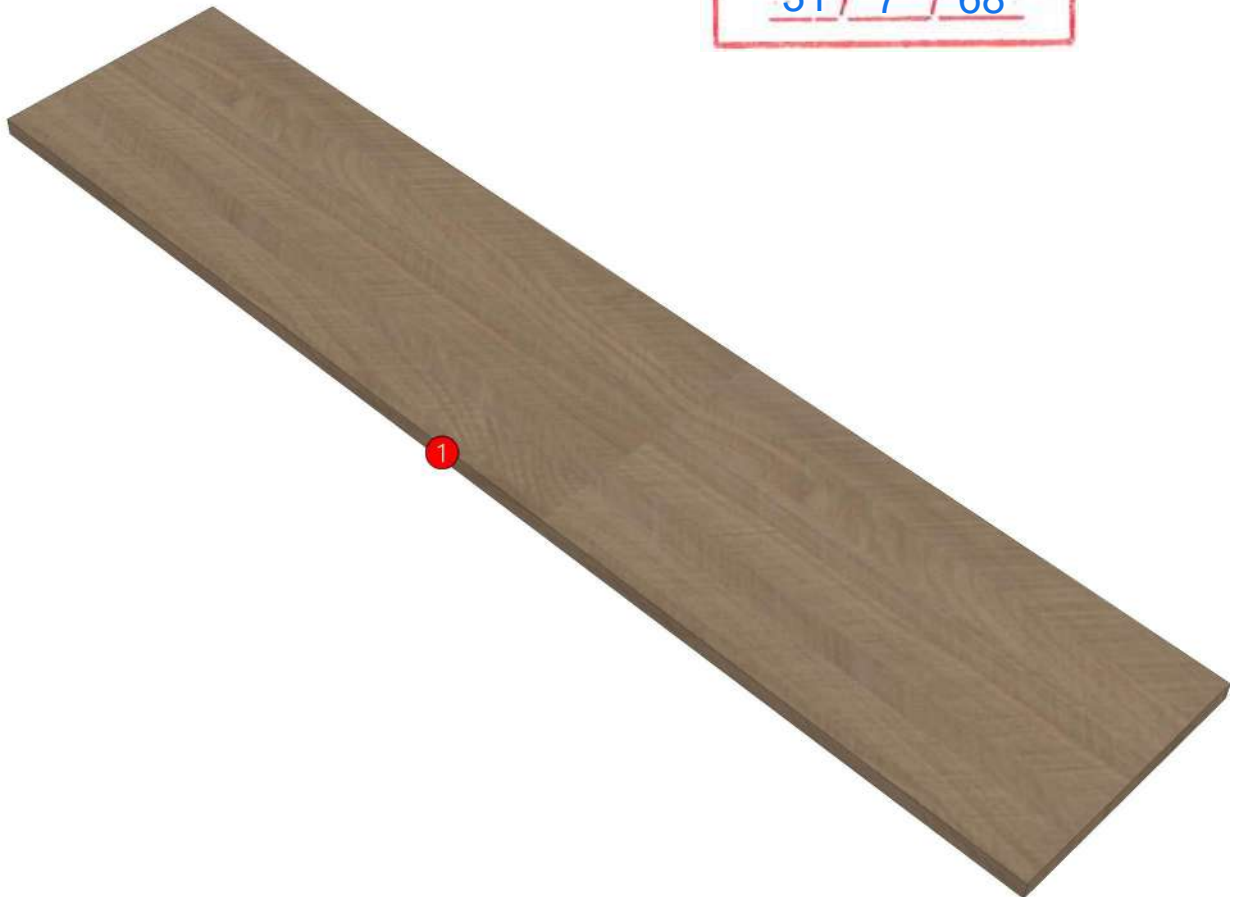
04.69=PB-E1 4'X8'T LAMINATE WILMIKA TEXT NO. W3125-16  
04.691=ALVIC LUMAX-SPP/4'X10'X18MM.-BLANCO SUPPERMATT(LX8)

**Edge**

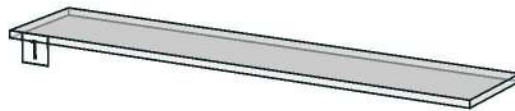
01.405=1 DWK3125AT  
01.4051=1 WHITE 01016

K6L 160160455

<b>R&amp;D REVIEW</b>	
<input checked="" type="checkbox"/>	DWG.Customer
<input type="checkbox"/>	Work Report
<input type="checkbox"/>	Function
<input type="checkbox"/>	สินค้าตรงตัวอย่าง
ผู้ทบทวน <u>P.SAWA</u>	
<u>31 / 7 / 68</u>	



<b>Model</b>	-ROMM_CONVECT_DSH_1675_1		
<b>Creator</b>	SUTTHI.P	<b>.BCP Name</b>	INDEX_C3D_KITCHENPAE
<b>Reviewer</b>		<b>Order</b>	0002538
<b>Approves</b>	<i>P. SAWA</i>	<b>Date</b>	10/06/2025



<b>Model</b>	ROMM_CONVECT_DUT_1500_1		
<b>Creator</b>	SUTTHI.P	<b>.BCP Name</b>	INDEX_C3D_KITCHENPAE
<b>Reviewer</b>		<b>Order</b>	O002651
<b>Approves</b>	<i>P.SAWA</i>	<b>Date</b>	10/07/2025

## **ROMM\_CONVECT\_DUT\_1500\_1-1500X16X50**

**Colour**

04.69=LAMINATE HPL DWK3125AT EDL  
04.691=ALVIC LUMAX-SPP/4'X10'X18MM.-BLANCO SUPPERMATT(LX8  
05.01=ML WHITE VM1012 18/18

**Edge**

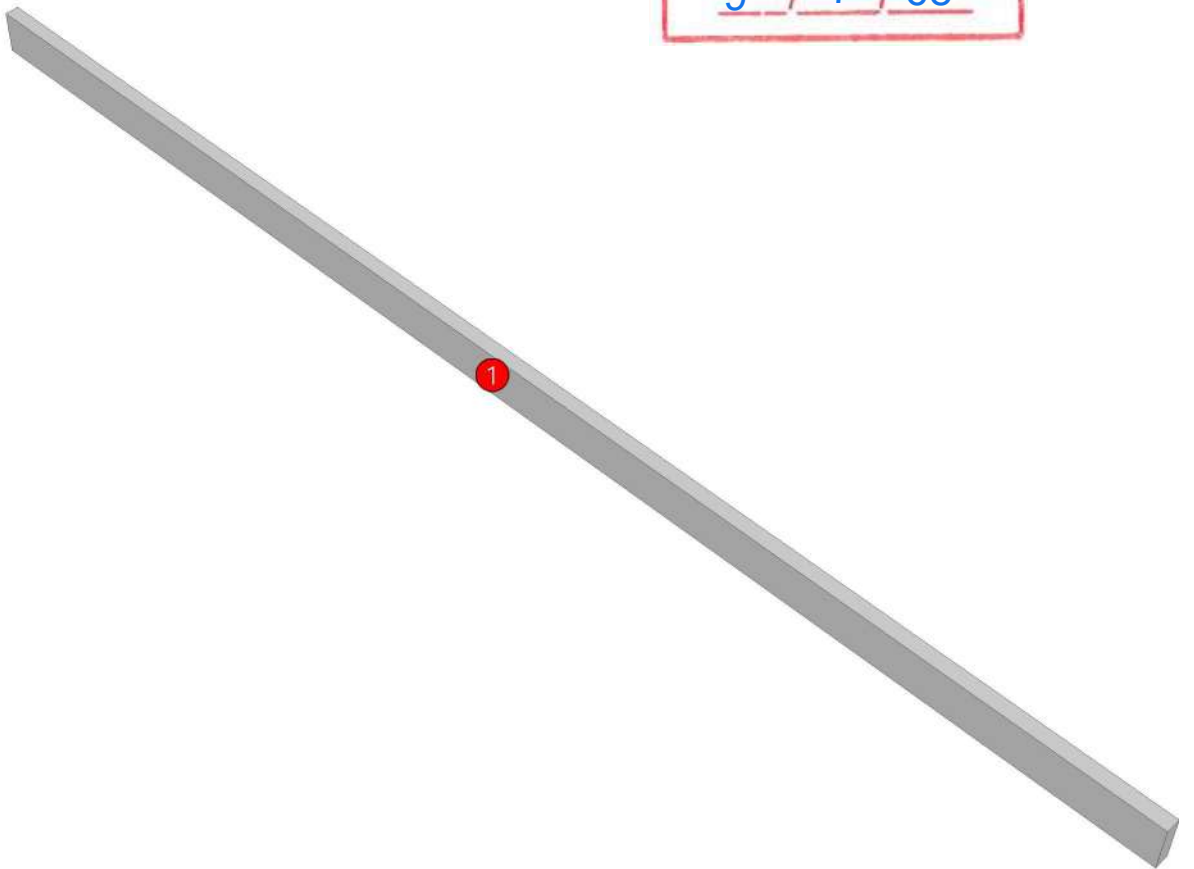
01.405=1 DWK3125AT  
01.4051=1 WHITE 01016  
01.47=1 WHITE

K2R 160160436

K6L 160160455

K13L 160161368

<b>R&amp;D REVIEW</b>	
<input checked="" type="checkbox"/>	DWG.Customer
<input type="checkbox"/>	Work Report
<input type="checkbox"/>	Function
<input type="checkbox"/>	สินค้าตรงตัวอย่าง
ผู้ทบทวน <u>P.SAWA</u>	
<u>9 / 7 / 68</u>	



<b>Model</b>	-ROMM_CONVECT_DUT_1500_1		
<b>Creator</b>	SUTTHI.P	<b>.BCP Name</b>	INDEX_C3D_KITCHENPAE
<b>Reviewer</b>		<b>Order</b>	0002651
<b>Approves</b>	<i>P. SAWA</i>	<b>Date</b>	10/07/2025



<b>Model</b>	ROMM_CONVECT_DUT_1500I_1		
<b>Creator</b>	SUTTHI.P	<b>.BCP Name</b>	INDEX_C3D_KITCHENPAE
<b>Reviewer</b>		<b>Order</b>	O002650
<b>Approves</b>	<i>P. SAWA</i>	<b>Date</b>	10/07/2025

## ROMM\_CONVECT\_DUT\_1500I\_1-1500X18X600

### Colour

04.69=LAMINATE HPL DWK3125AT EDL

04.691=ALVIC LUMAX-SPP/4'X10'X18MM.-BLANCO SUPPERMATT(LX8

05.01=ML WHITE VM1012 18/18

### Edge

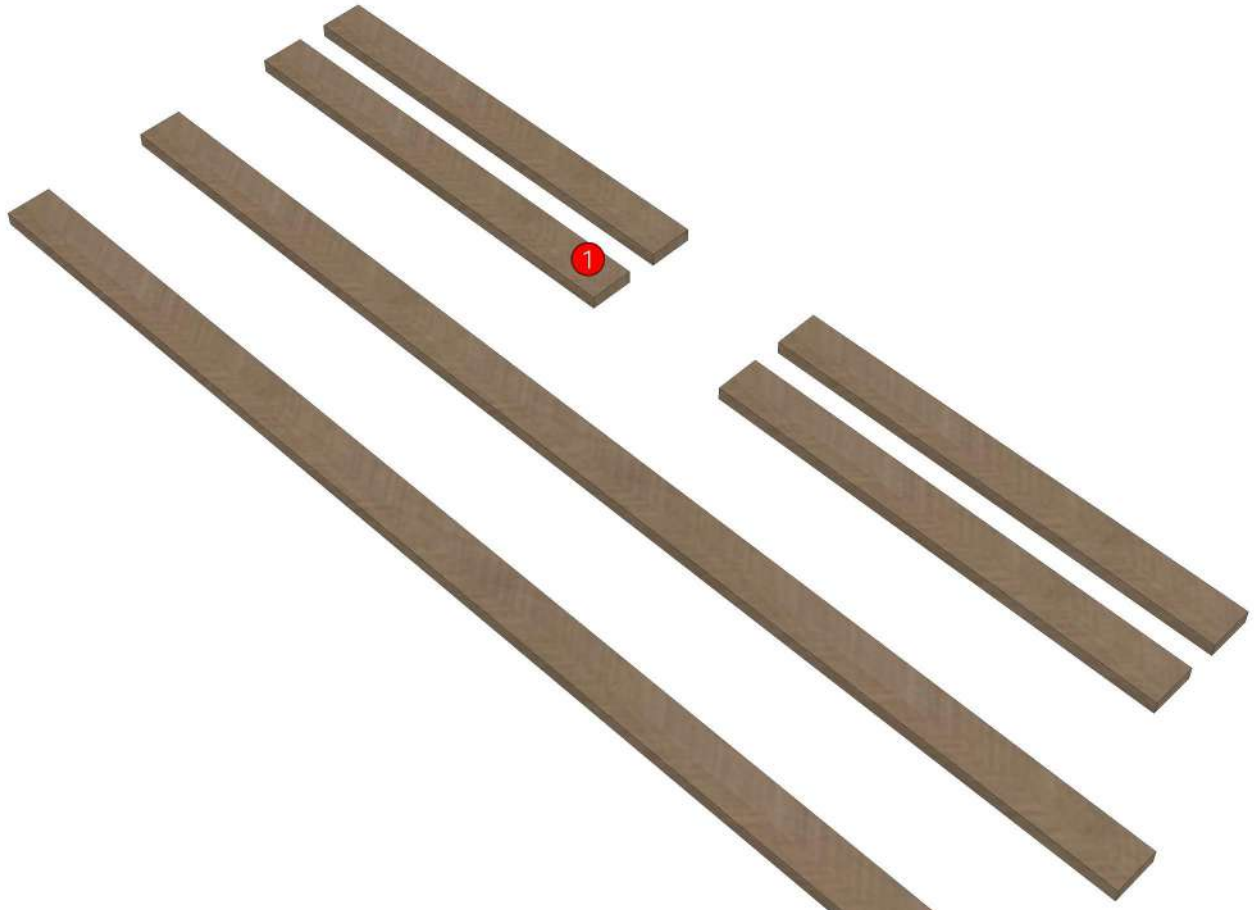
01.405=1 DWK3125AT

01.4051=1 WHITE 01016

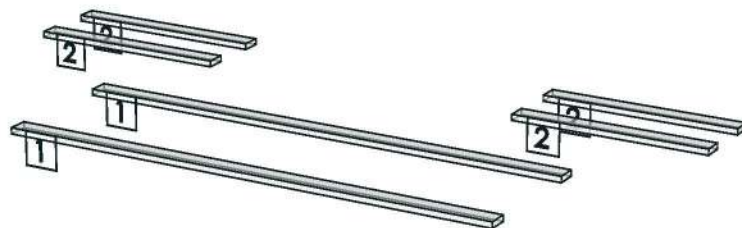
01.47=1 WHITE

K6L 160160455

<b>R&amp;D REVIEW</b>	
<input checked="" type="checkbox"/>	DWG.Customer
<input type="checkbox"/>	Work Report
<input type="checkbox"/>	Function
<input type="checkbox"/>	สินค้าตรงตัวอย่าง
ผู้ทบทวน <i>P.SAWA</i>	
<i>23 / 7 / 68</i>	



<b>Model</b>	-ROMM_CONVECT_DUT_1500I_1		
<b>Creator</b>	SUTTHI.P	<b>.BCP Name</b>	INDEX_C3D_KITCHENPAE
<b>Reviewer</b>		<b>Order</b>	0002650
<b>Approves</b>	<i>P. SAWA</i>	<b>Date</b>	10/07/2025



<b>Model</b>	ROMM_CONVECT_LED_2305_1		
<b>Creator</b>	SUTTHI.P	<b>.BCP Name</b>	INDEX_C3D_KITCHENPAE
<b>Reviewer</b>		<b>Order</b>	O002554
<b>Approves</b>	P.SAWA	<b>Date</b>	10/06/2025

## ROMM\_CONVECT\_LED\_2305\_1-2305X330X18

**Colour**

04.69=LAMINATE HPL DWK3125AT EDL

04.691=ALVIC LUMAX-SPP/4'X10'X18MM.-BLANCO SUPPERMATT(LX8

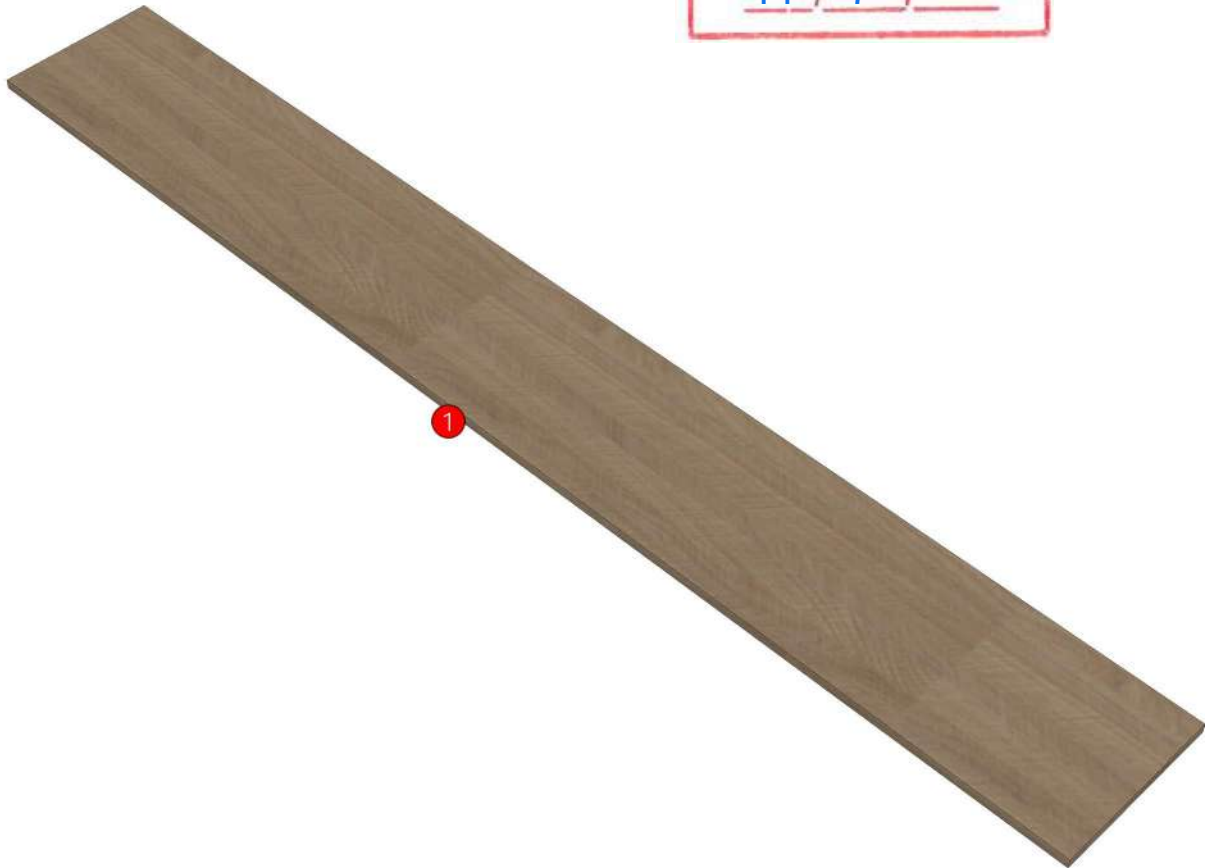
**Edge**

01.405=1 DWK3125AT

01.4051=1 WHITE 01016

K6L 160160455

<b>R&amp;D REVIEW</b>	
<input checked="" type="checkbox"/>	DWG.Customer
<input type="checkbox"/>	Work Report
<input type="checkbox"/>	Function
<input type="checkbox"/>	สินค้าตรงตัวอย่าง
ผู้ทบทวน P.SAWA /	
11 / 7 / 68	



<b>Model</b>	-ROMM_CONVECT_LED_2305_1		
<b>Creator</b>	SUTTHI.P	<b>.BCP Name</b>	INDEX_C3D_KITCHENPAE
<b>Reviewer</b>		<b>Order</b>	0002554
<b>Approves</b>	<i>P. SAWA</i>	<b>Date</b>	10/06/2025



<b>Model</b>	ROMM_CONVECT_LED_580_1		
<b>Creator</b>	SUTTHI.P	<b>.BCP Name</b>	INDEX_C3D_KITCHENPAE
<b>Reviewer</b>		<b>Order</b>	O002556
<b>Approves</b>	<i>P.SAWA</i>	<b>Date</b>	10/06/2025

## **ROMM\_CONVECT\_LED\_580\_1-580X330X18**

**Colour**

04.69=LAMINATE HPL DWK3125AT EDL

04.691=ALVIC LUMAX-SPP/4'X10'X18MM.-BLANCO SUPPERMATT(LX8

**Edge**

01.405=1 DWK3125AT

01.4051=1 WHITE 01016

K6L 160160455

<b>R&amp;D REVIEW</b>	
<input checked="" type="checkbox"/>	DWG.Customer
<input type="checkbox"/>	Work Report
<input type="checkbox"/>	Function
<input type="checkbox"/>	สินค้าตรงตัวอย่าง
ผู้ทบทวน <u>P.SAWA</u>	
<u>11 / 7 / 68</u>	



<b>Model</b>	-ROMM_CONVECT_LED_580_1		
<b>Creator</b>	SUTTHI.P	<b>.BCP Name</b>	INDEX_C3D_KITCHENPAE
<b>Reviewer</b>		<b>Order</b>	0002556
<b>Approves</b>	P. SAWA	<b>Date</b>	10/06/2025

