

| | | | |
|-----------------|-----------------------|------------------|----------------------|
| Model | ROMM_CONVECT_DB30RS_1 | | |
| Creator | SUTTHI.P | .BCP Name | INDEX_C3D_KITCHENPAE |
| Reviewer | | Order | O002475 |
| Approves | <i>P. SAWA</i> | Date | 06/06/2025 |

ROMM_CONVECT_DB30RS_1-300X670X730

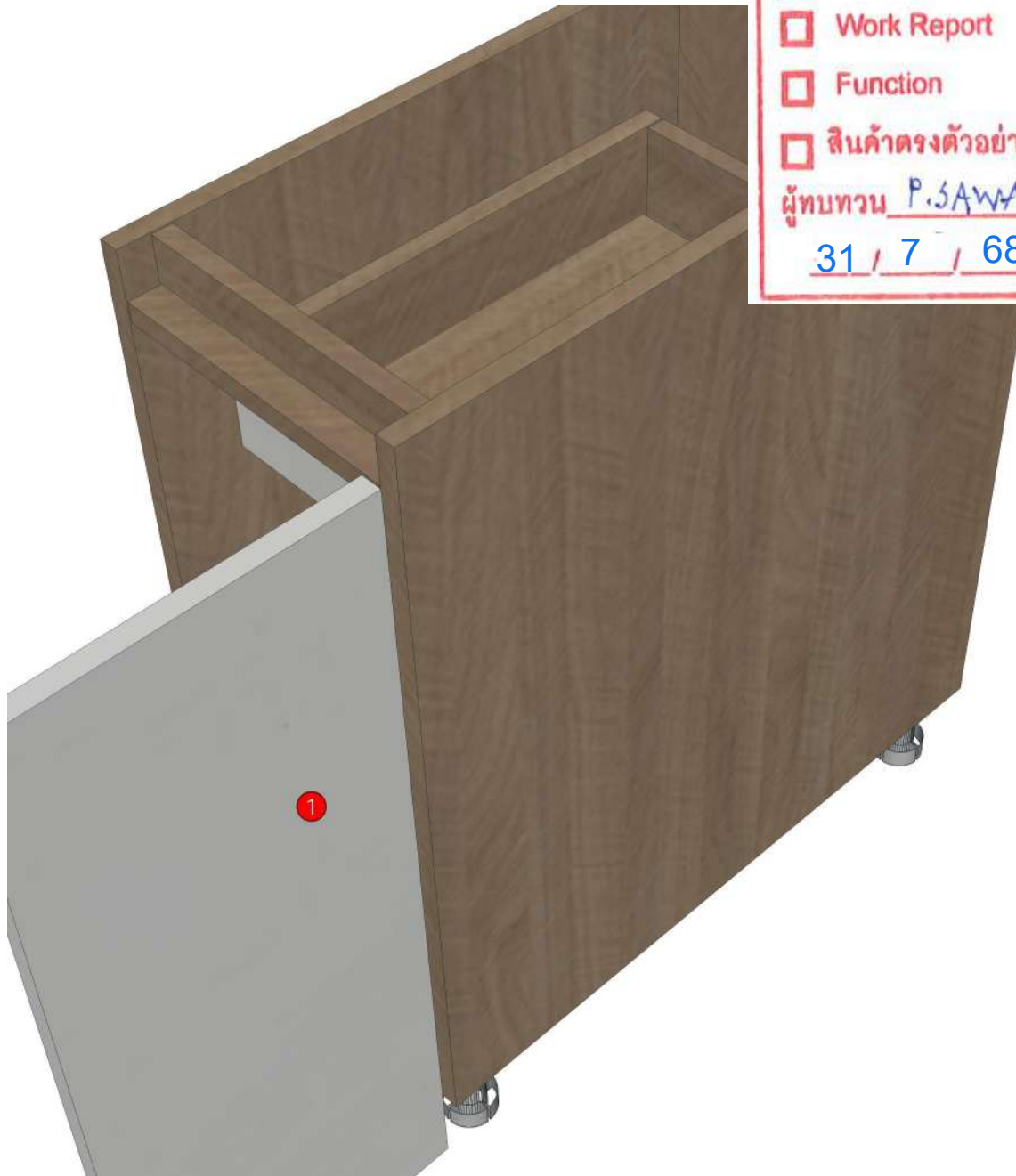
Colour

04.69=PB-E1 4'X8'T LAMINATE WILMIKA TEXT NO. W3125-16
04.691=ALVIC LUMAX-SPP/4'X10'X18MM.-BLANCO SUPPERMATT(LX8
04.692=PB-E1 4'X9'T. LAMINA WILMIKA TEXT NO. W3125-16
04.693=HPL WILMIKA NO. W3125-16/HPL.TD#9201 PL

Edge

01.405=1 DWK3125AT
01.4051=1 WHITE 01016

K2R 160160436



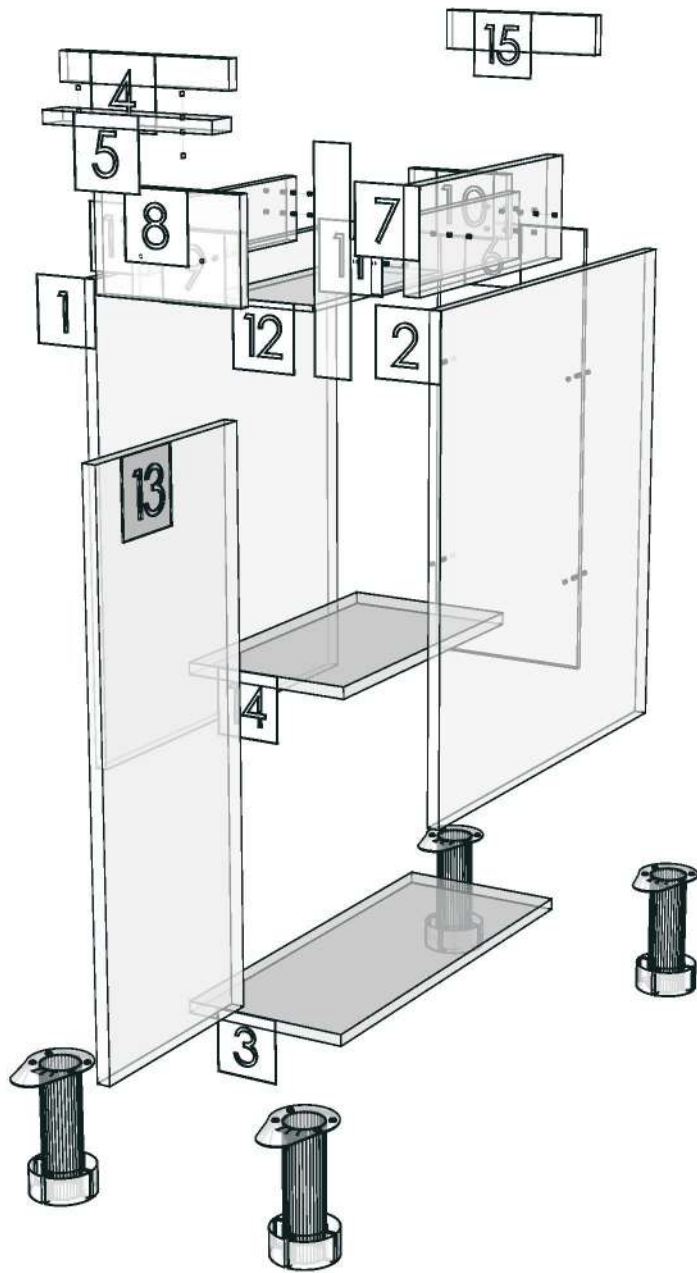
R&D REVIEW

- DWG.Customer
- Work Report
- Function
- สินค้าตรงตัวอย่าง

ผู้ทบทวน P.SAWA

31 / 7 / 68

| | | | |
|-----------------|------------------------|------------------|----------------------|
| Model | -ROMM_CONVECT_DB30RS_1 | | |
| Creator | SUTTHI.P | .BCP Name | INDEX_C3D_KITCHENPAE |
| Reviewer | | Order | O002475 |
| Approves | <i>P. SAWA</i> | Date | 06/06/2025 |



| | | | |
|-----------------|----------------------|------------------|----------------------|
| Model | ROMM_CONVECT_DBD18_1 | | |
| Creator | SUTTHI.P | .BCP Name | INDEX_C3D_KITCHENPAE |
| Reviewer | | Order | O002484 |
| Approves | <i>P.SAWA</i> | Date | 06/06/2025 |

ROMM_CONVECT_DBD18_1-180X570X760

Colour

04.69=PB-E1 4'X8'T LAMINATE WILMIKA TEXT NO. W3125-16
04.691=ALVIC LUMAX-SPP/4'X10'X18MM.-BLANCO SUPPERMATT(LX8
04.692=PB-E1 4'X9'T. LAMINA WILMIKA TEXT NO. W3125-16
04.693=HPL WILMIKA NO. W3125-16/HPL.TD#9201 PL

Edge

01.405=1 DWK3125AT
01.4051=1 WHITE 01016

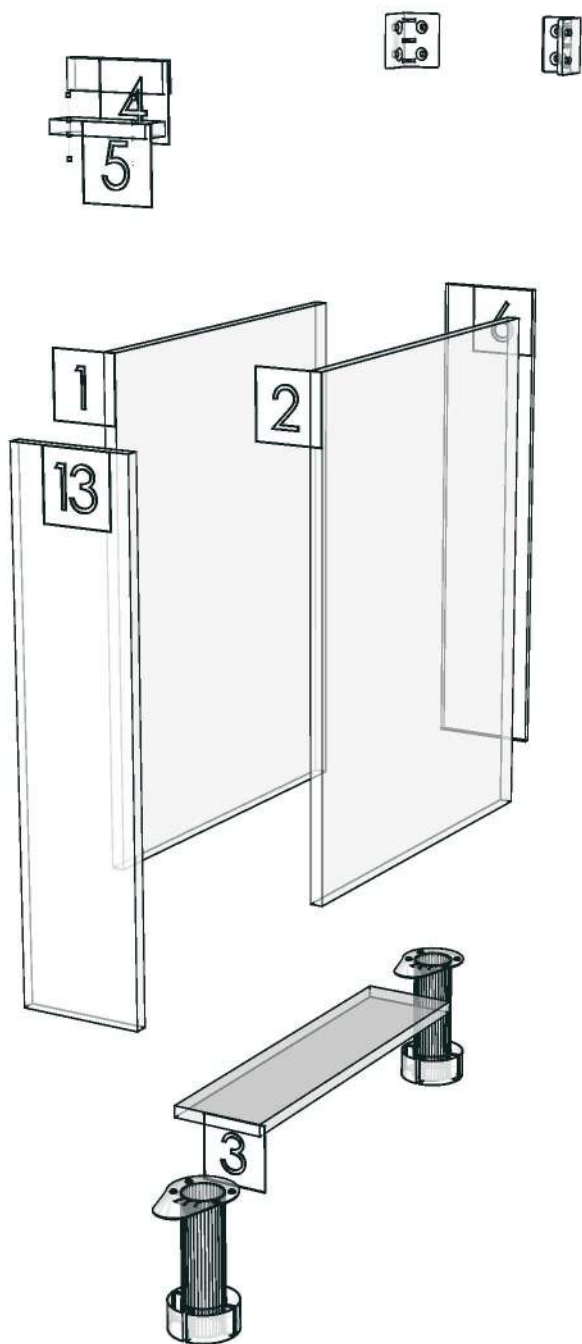
K2R 160160436

K3R 160161323



| | |
|-------------------------------------|-------------------|
| R&D REVIEW | |
| <input checked="" type="checkbox"/> | DWG.Customer |
| <input type="checkbox"/> | Work Report |
| <input type="checkbox"/> | Function |
| <input type="checkbox"/> | สินค้าตรงตัวอย่าง |
| ผู้ทบทวน <u>P.SAWA</u> | |
| <u>31 / 7 / 68</u> | |

| | | | |
|-----------------|-----------------------|------------------|----------------------|
| Model | -ROMM_CONVECT_DBD18_1 | | |
| Creator | SUTTHI.P | .BCP Name | INDEX_C3D_KITCHENPAE |
| Reviewer | | Order | O002484 |
| Approves | <i>P. SAWA</i> | Date | 06/06/2025 |



| | | | |
|-----------------|-------------------------|------------------|----------------------|
| Model | ROMM_CONVECT_DBH601SL_1 | | |
| Creator | SUTTHI.P | .BCP Name | INDEX_C3D_KITCHENPAE |
| Reviewer | | Order | O002490 |
| Approves | <i>P.SAWA</i> | Date | 06/06/2025 |

ROMM_CONVECT_DBH601SL_1-600X570X730

Colour

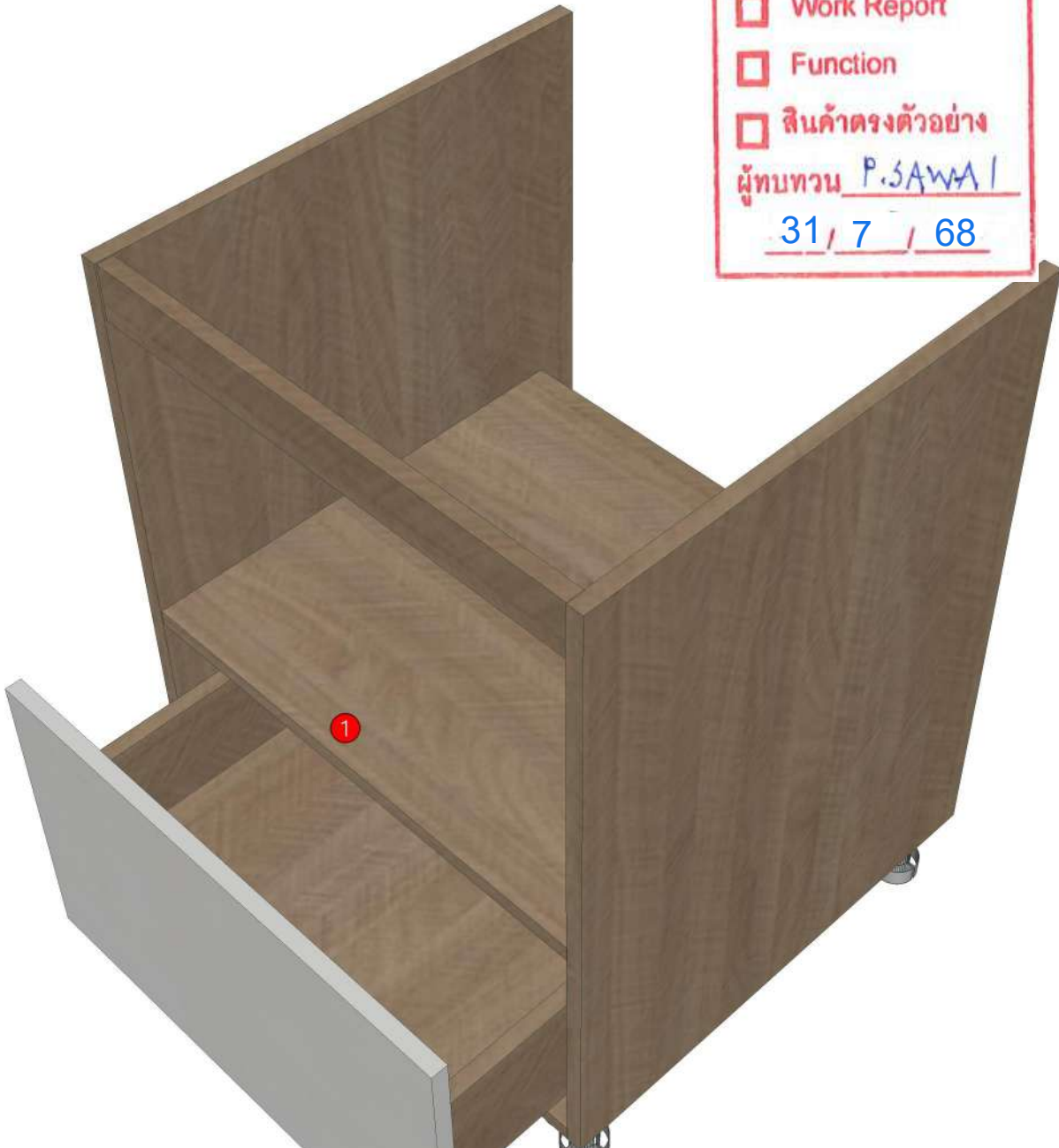
04.69=PB-E1 4'X8'T LAMINATE WILMIKA TEXT NO. W3125-16
04.691=ALVIC LUMAX-SPP/4'X10'X18MM.-BLANCO SUPPERMATT(LX8)
04.692=PB-E1 4'X9'T. LAMINA WILMIKA TEXT NO. W3125-16
04.693=HPL WILMIKA NO. W3125-16/HPL.TD#9201 PL

Edge

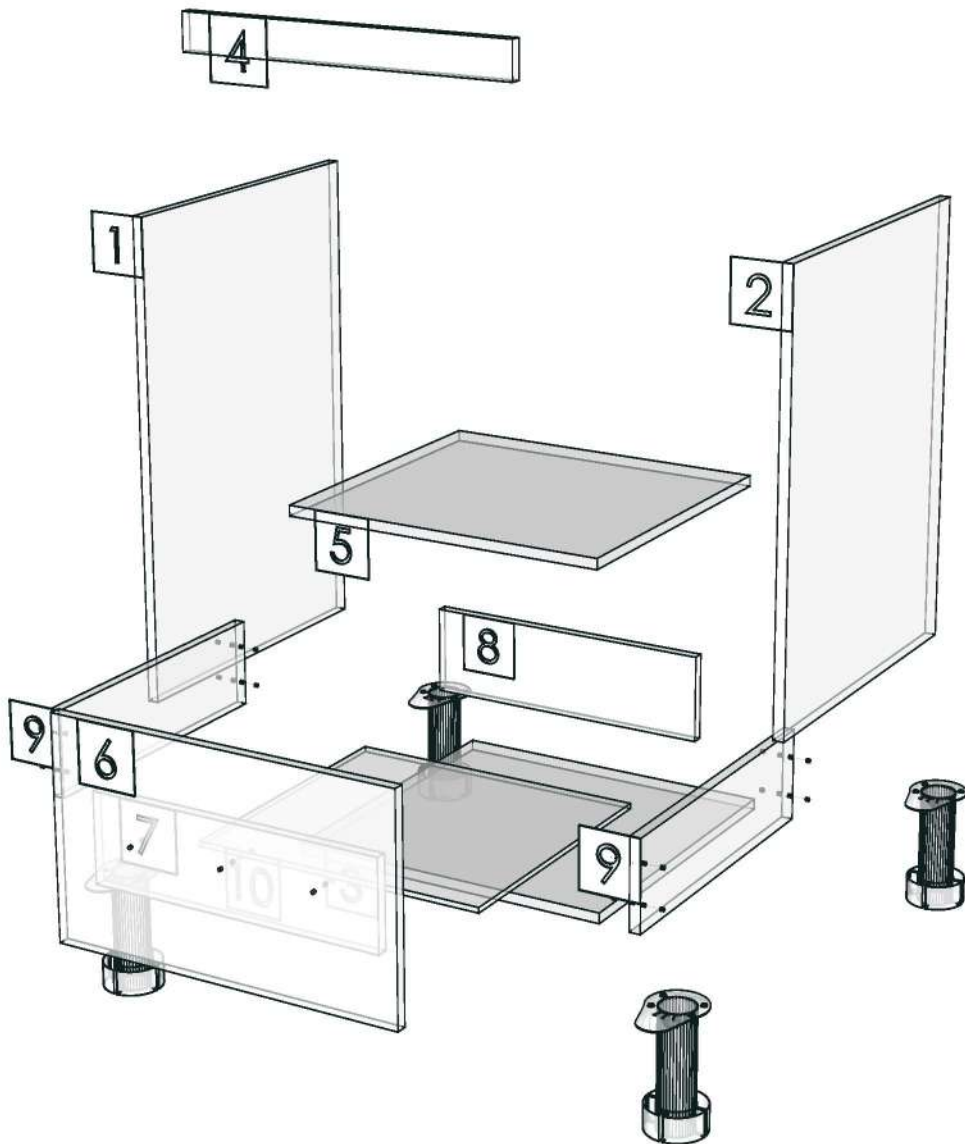
01.405=1 DWK3125AT
01.4051=1 WHITE 01016

K2R 160160436

| | |
|-------------------------------------|-------------------|
| R&D REVIEW | |
| <input checked="" type="checkbox"/> | DWG.Customer |
| <input type="checkbox"/> | Work Report |
| <input type="checkbox"/> | Function |
| <input type="checkbox"/> | สินค้าตรงตัวอย่าง |
| ผู้ทบทวน <i>P.SAWA</i> | |
| <i>31 / 7 / 68</i> | |



| | | | |
|-----------------|--------------------------|------------------|----------------------|
| Model | -ROMM_CONVECT_DBH601SL_1 | | |
| Creator | SUTTHI.P | .BCP Name | INDEX_C3D_KITCHENPAE |
| Reviewer | | Order | O002490 |
| Approves | <i>P. SAWA</i> | Date | 06/06/2025 |



| | | | |
|-----------------|-----------------------------|------------------|----------------------|
| Model | ROMM_CONVECT_DBSC100_605L_1 | | |
| Creator | SUTTHI.P | .BCP Name | INDEX_C3D_KITCHENPAE |
| Reviewer | | Order | O002499 |
| Approves | <i>P. SAWA</i> | Date | 09/06/2025 |

ROMM_CONVECT_DBSC100_605L_1-1000X670X730

Colour

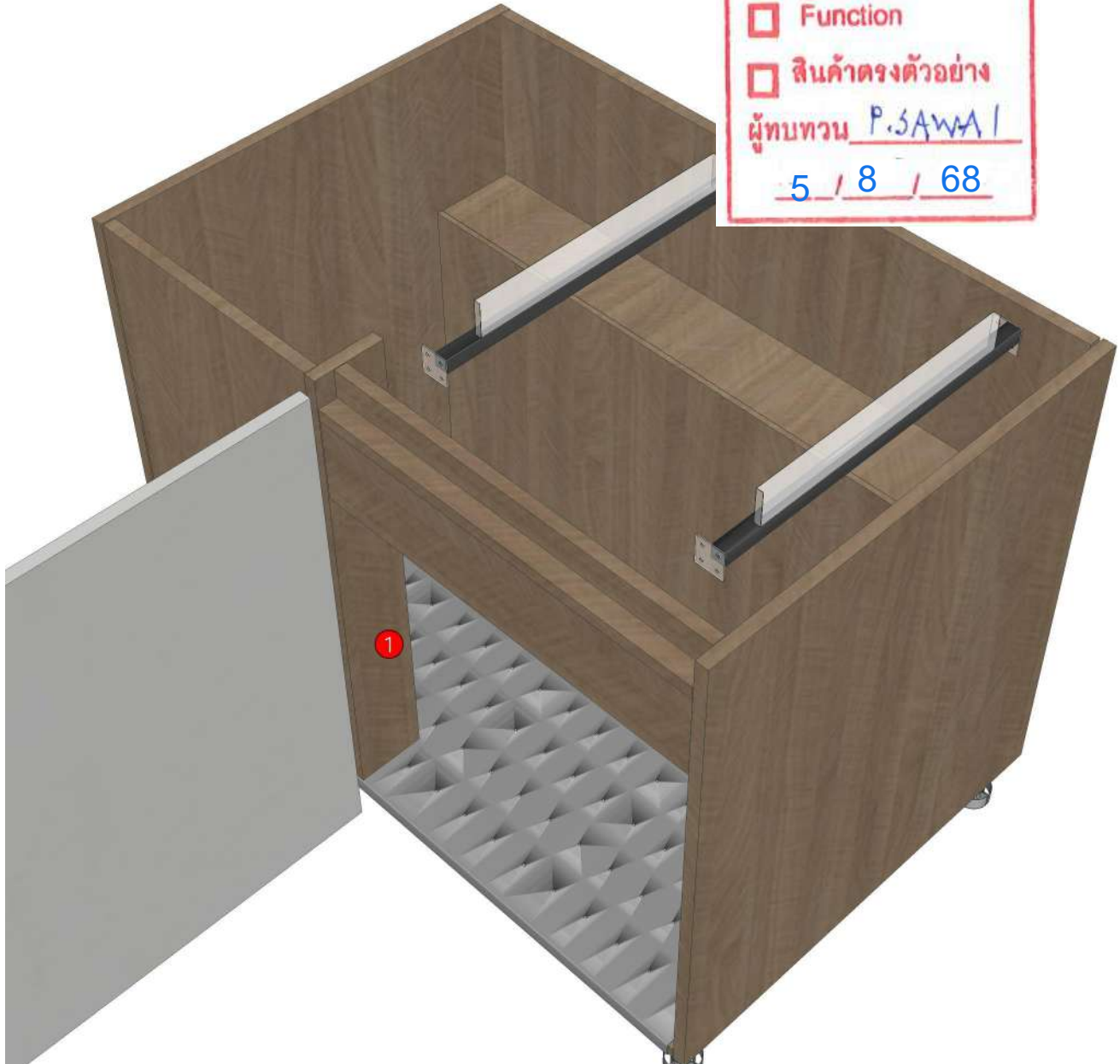
04.69=PB-E1 4'X8'T LAMINATE WILMIKA TEXT NO. W3125-16
04.691=ALVIC LUMAX-SPP/4'X10'X18MM.-BLANCO SUPPERMATT(LX8)
04.692=PB-E1 4'X9'T. LAMINA WILMIKA TEXT NO. W3125-16
04.693=HPL WILMIKA NO. W3125-16/HPL.TD#9201 PL

Edge

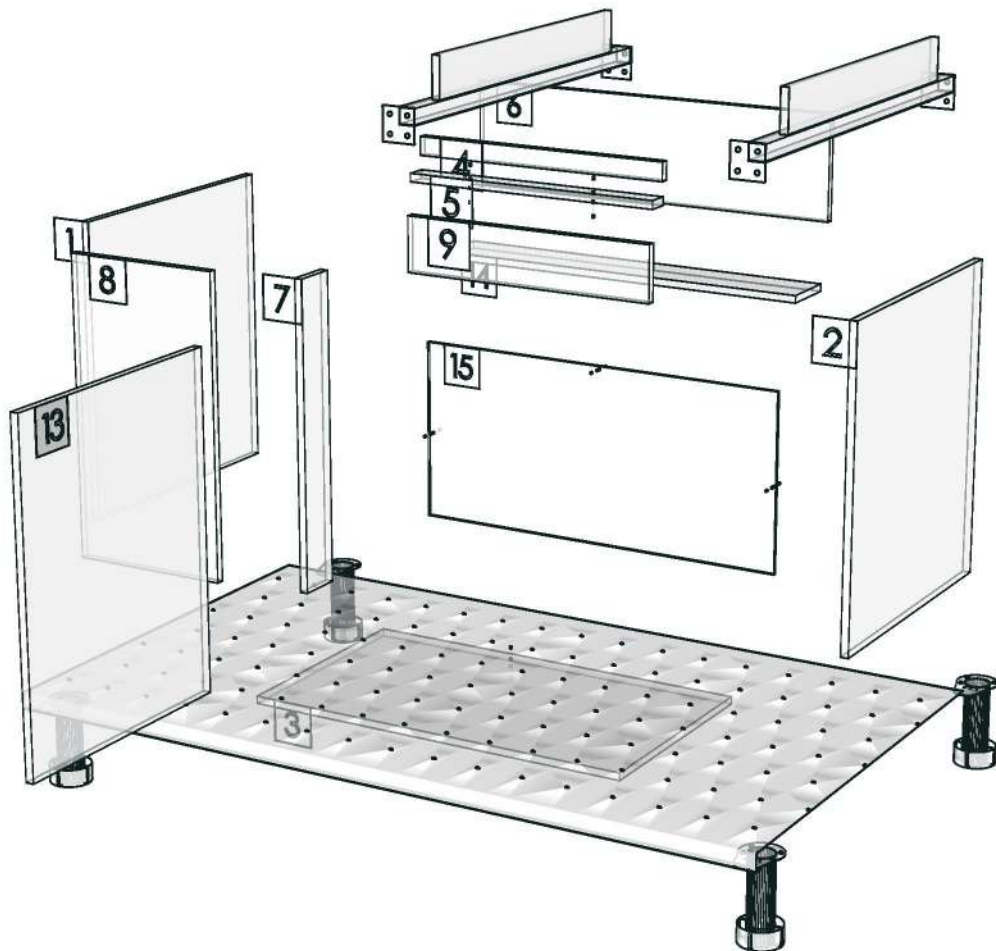
01.405=1 DWK3125AT
01.4051=1 WHITE 01016

K2R 160160436

| | |
|-------------------------------------|-------------------|
| R&D REVIEW | |
| <input checked="" type="checkbox"/> | DWG.Customer |
| <input type="checkbox"/> | Work Report |
| <input type="checkbox"/> | Function |
| <input type="checkbox"/> | สินค้าตรงตัวอย่าง |
| ผู้ทบทวน <u>P.SAWA</u> | |
| <u>5 / 8 / 68</u> | |



| | | | |
|-----------------|------------------------------|------------------|----------------------|
| Model | -ROMM_CONVECT_DBSC100_605L_1 | | |
| Creator | SUTTHI.P | .BCP Name | INDEX_C3D_KITCHENPAE |
| Reviewer | | Order | O002499 |
| Approves | <i>P. SAWA</i> | Date | 09/06/2025 |



| | | | |
|-----------------|------------------------------|------------------|----------------------|
| Model | ROMM_CONVECT_DDM_1550_6(S)_1 | | |
| Creator | SUTTHI.P | .BCP Name | INDEX_C3D_KITCHENPAE |
| Reviewer | | Order | 0002660 |
| Approves | P.SAWA | Date | 22/07/2025 |

ROMM_CONVECT_DDM_1550_6(S)_1-1550X6X350

Colour

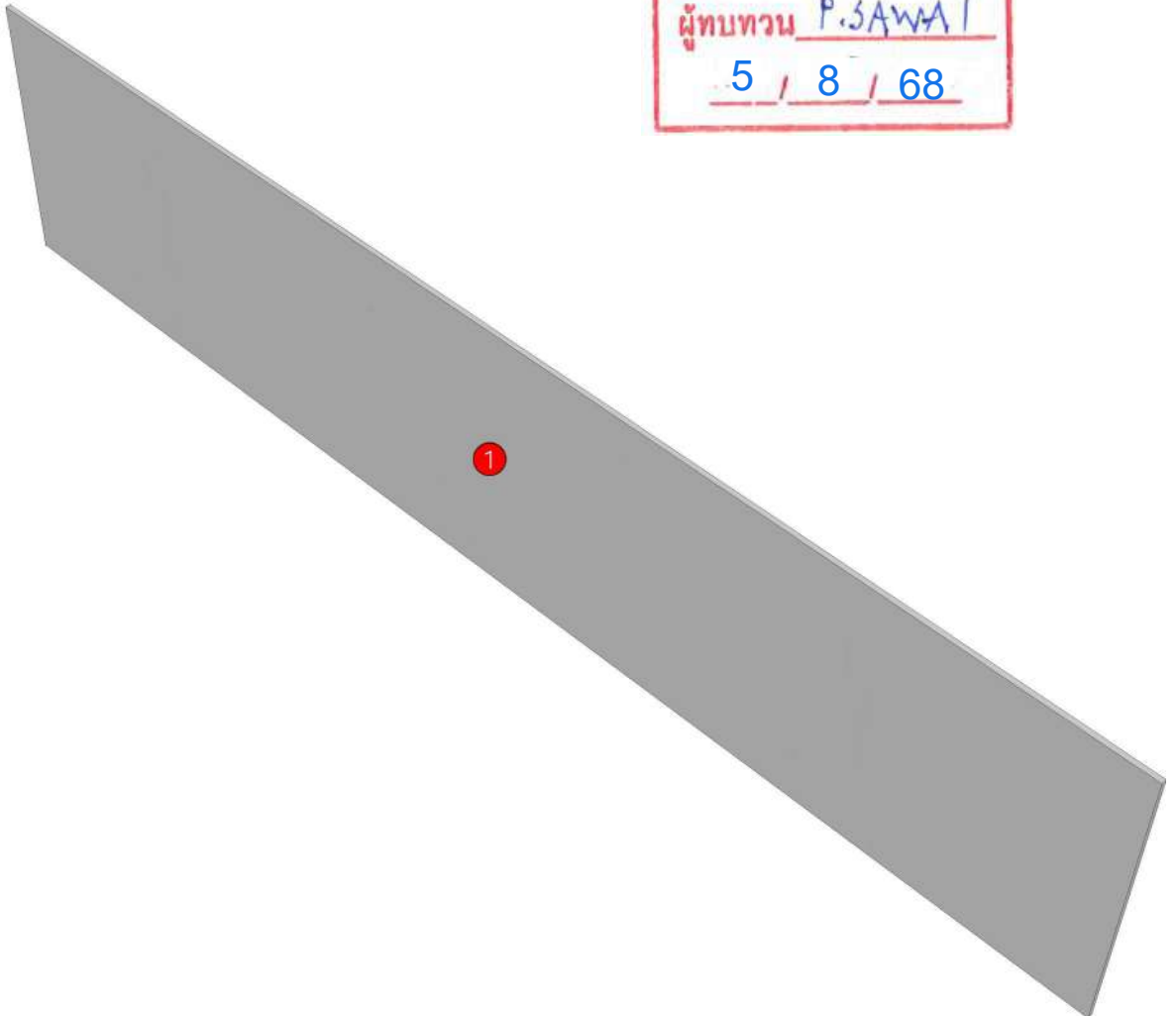
04.69=PB-E1 4'X8'T LAMINATE WILMIKA TEXT NO. W3125-16
04.691=ALVIC LUMAX-SPP/4'X10'X18MM.-BLANCO SUPPERMATT(LX8
03.13=PVC WHITE#630 T0.15MM.

Edge

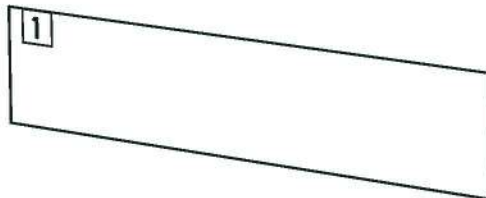
01.405=1 DWK3125AT
01.4051=1 WHITE 01016

K4L 160166148

| | |
|-------------------------------------|-------------------|
| R&D REVIEW | |
| <input checked="" type="checkbox"/> | DWG.Customer |
| <input type="checkbox"/> | Work Report |
| <input type="checkbox"/> | Function |
| <input type="checkbox"/> | สินค้าตรงตัวอย่าง |
| ผู้ทบทวน <u>P.SAWA</u> | |
| <u>5 / 8 / 68</u> | |



| | | | |
|-----------------|-------------------------------|------------------|----------------------|
| Model | -ROMM_CONVECT_DDM_1550_6(S)_1 | | |
| Creator | SUTTHI.P | .BCP Name | INDEX_C3D_KITCHENPAE |
| Reviewer | | Order | 0002660 |
| Approves | P. SAWA | Date | 22/07/2025 |



| | | | |
|-----------------|---------------------------|------------------|----------------------|
| Model | ROMM_CONVECT_DDM_1550_6_1 | | |
| Creator | SUTTHI.P | .BCP Name | INDEX_C3D_KITCHENPAE |
| Reviewer | | Order | O002584 |
| Approves | P. SAWA | Date | 09/07/2025 |

ROMM_CONVECT_DDM_1550_6_1-1550X6X375

Colour

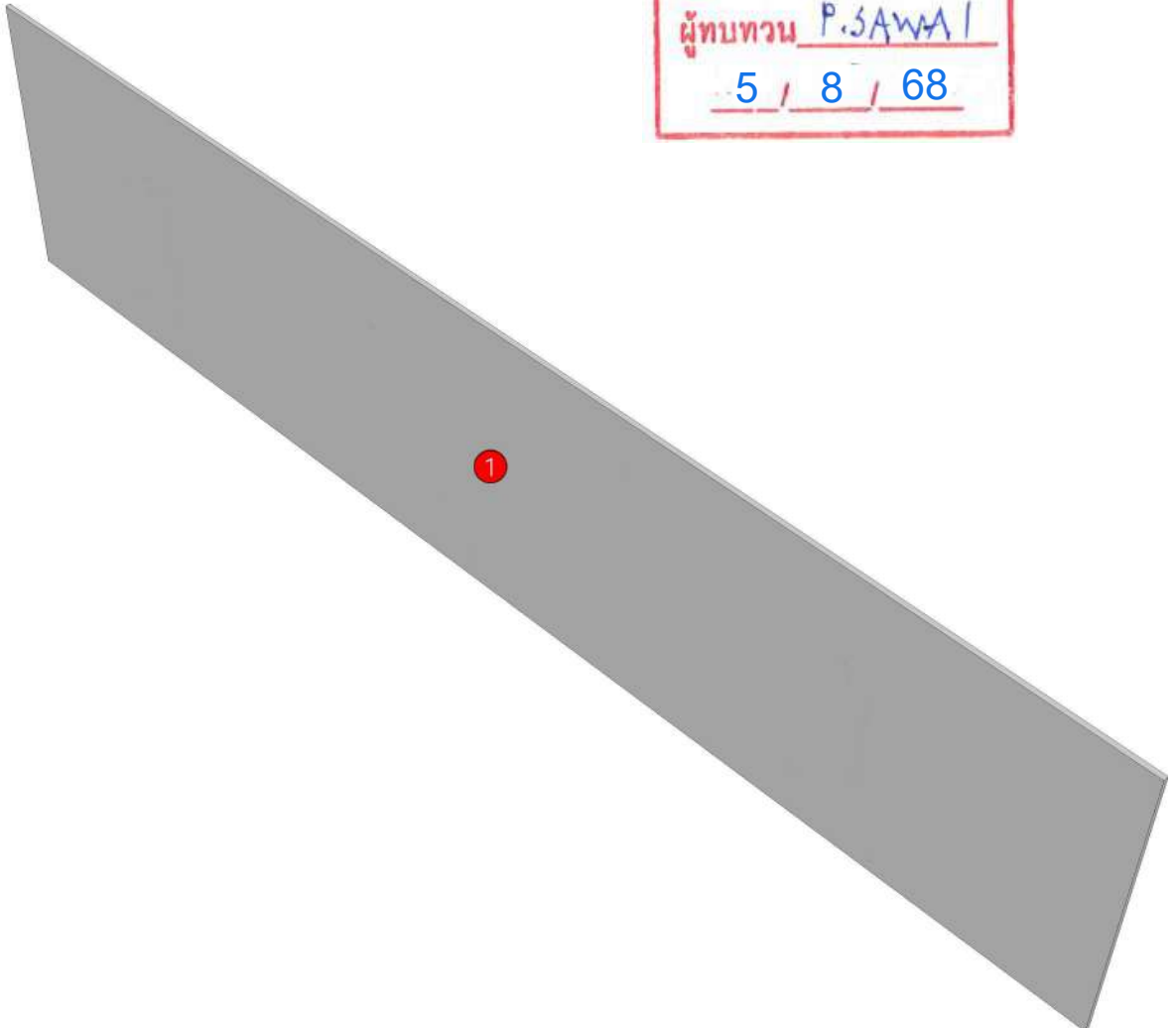
04.69=PB-E1 4'X8'T LAMINATE WILMIKA TEXT NO. W3125-16
04.691=ALVIC LUMAX-SPP/4'X10'X18MM.-BLANCO SUPPERMATT(LX8
03.13=PVC WHITE#630 T0.15MM.

Edge

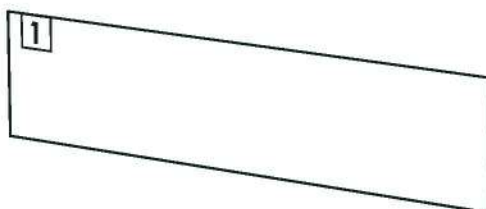
01.405=1 DWK3125AT
01.4051=1 WHITE 01016

K2R 160160436

| | |
|-------------------------------------|-------------------|
| R&D REVIEW | |
| <input checked="" type="checkbox"/> | DWG.Customer |
| <input type="checkbox"/> | Work Report |
| <input type="checkbox"/> | Function |
| <input type="checkbox"/> | สินค้าตรงตัวอย่าง |
| ผู้ทบทวน P.SAWA | |
| 5 / 8 / 68 | |



| | | | |
|-----------------|----------------------------|------------------|----------------------|
| Model | -ROMM_CONVECT_DDM_1550_6_1 | | |
| Creator | SUTTHI.P | .BCP Name | INDEX_C3D_KITCHENPAE |
| Reviewer | | Order | O002584 |
| Approves | P. SAWA | Date | 09/07/2025 |



| | | | |
|-----------------|-------------------------|------------------|----------------------|
| Model | ROMM_CONVECT_DDM_1600_1 | | |
| Creator | SUTTHI.P | .BCP Name | INDEX_C3D_KITCHENPAE |
| Reviewer | | Order | O002587 |
| Approves | <i>P. SAWA</i> | Date | 09/07/2025 |

ROMM_CONVECT_DDM_1600_1-1600X18X135

Colour

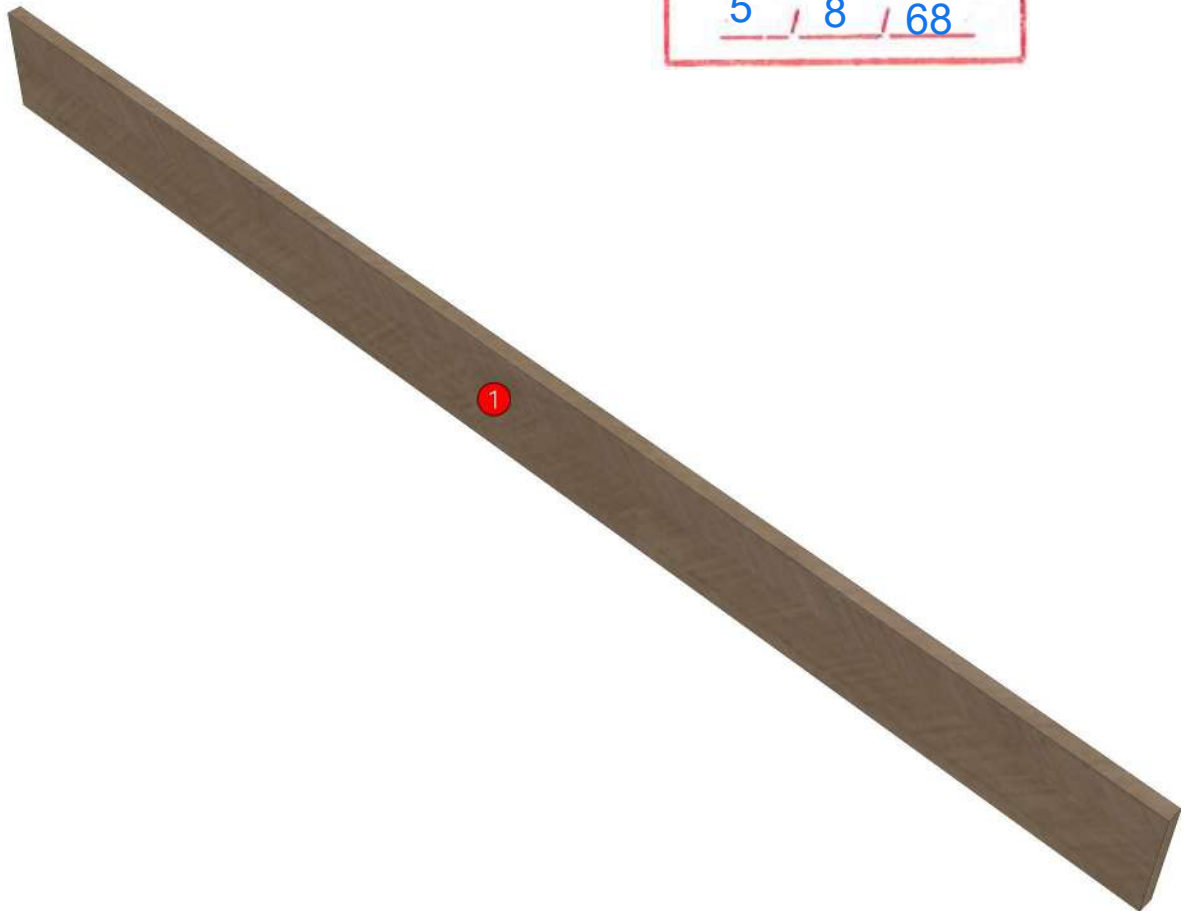
04.69=PB-E1 4'X8'T LAMINATE WILMIKA TEXT NO. W3125-16
04.691=ALVIC LUMAX-SPP/4'X10'X18MM.-BLANCO SUPPERMATT(LX8)

Edge

01.405=1 DWK3125AT
01.4051=1 WHITE 01016

K2R 160160436

| | |
|-------------------------------------|-------------------|
| R&D REVIEW | |
| <input checked="" type="checkbox"/> | DWG.Customer |
| <input type="checkbox"/> | Work Report |
| <input type="checkbox"/> | Function |
| <input type="checkbox"/> | สินค้าตรงตัวอย่าง |
| ผู้ทบทวน <u>P.SAWA</u> | |
| <u>5</u> / <u>8</u> / <u>68</u> | |



| | | | |
|-----------------|--------------------------|------------------|----------------------|
| Model | -ROMM_CONVECT_DDM_1600_1 | | |
| Creator | SUTTHI.P | .BCP Name | INDEX_C3D_KITCHENPAE |
| Reviewer | | Order | 0002587 |
| Approves | <i>P. SAWA</i> | Date | 09/07/2025 |



| | | | |
|-----------------|---------------------------|------------------|----------------------|
| Model | ROMM_CONVECT_DDM_1600_6_1 | | |
| Creator | SUTTHI.P | .BCP Name | INDEX_C3D_KITCHENPAE |
| Reviewer | | Order | 0002586 |
| Approves | P. SAWA | Date | 09/07/2025 |

ROMM_CONVECT_DDM_1600_6_1-1600X6X375

Colour

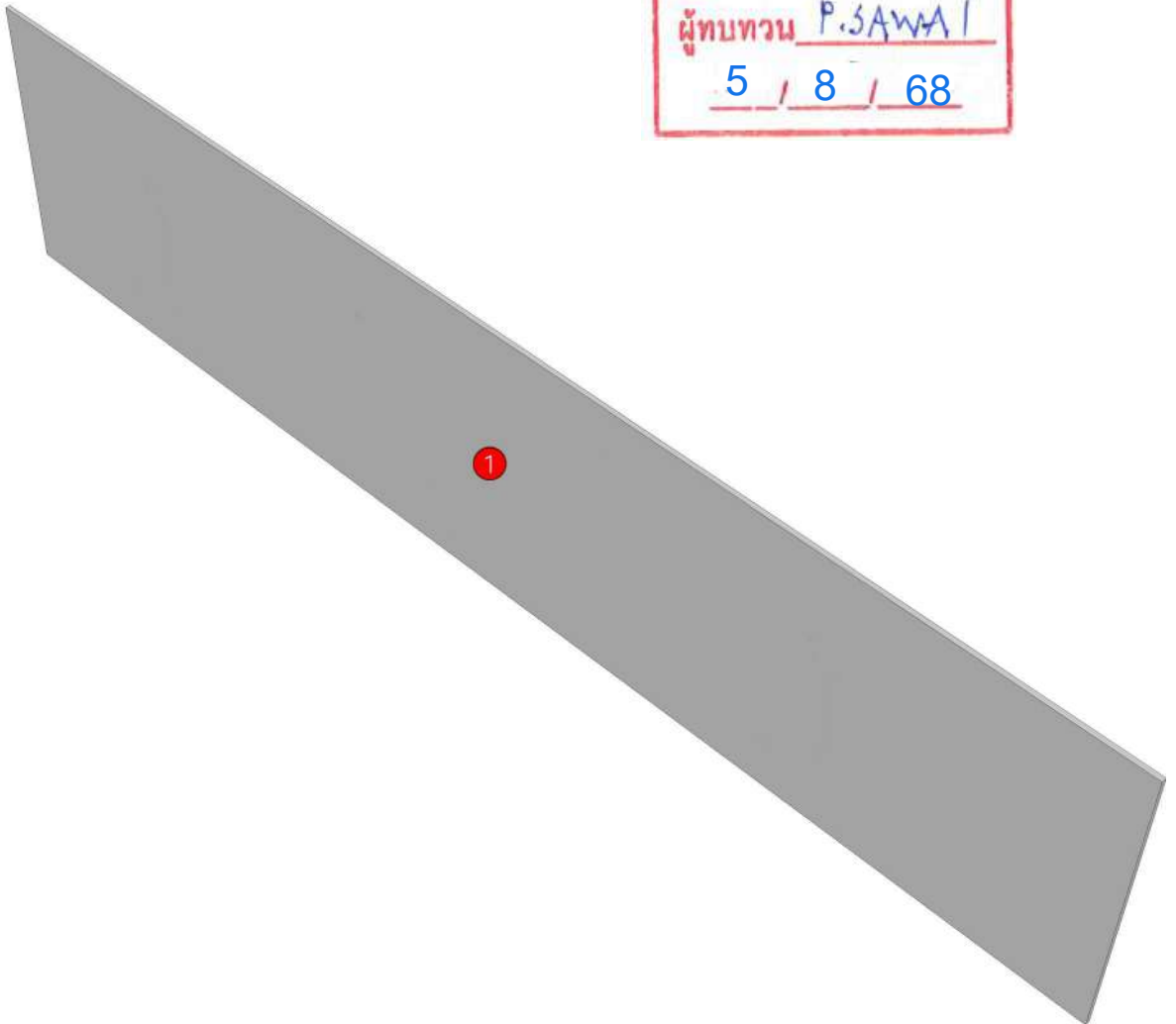
04.69=PB-E1 4'X8'T LAMINATE WILMIKA TEXT NO. W3125-16
04.691=ALVIC LUMAX-SPP/4'X10'X18MM.-BLANCO SUPPERMATT(LX8
03.13=PVC WHITE#630 T0.15MM.

Edge

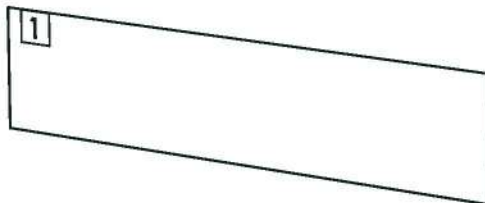
01.405=1 DWK3125AT
01.4051=1 WHITE 01016

K2R 160160436

| | |
|-------------------------------------|-------------------|
| R&D REVIEW | |
| <input checked="" type="checkbox"/> | DWG.Customer |
| <input type="checkbox"/> | Work Report |
| <input type="checkbox"/> | Function |
| <input type="checkbox"/> | สินค้าตรงตัวอย่าง |
| ผู้ทบทวน <u>P.SAWA</u> | |
| <u>5</u> / <u>8</u> / <u>68</u> | |



| | | | |
|-----------------|----------------------------|------------------|----------------------|
| Model | -ROMM_CONVECT_DDM_1600_6_1 | | |
| Creator | SUTTHI.P | .BCP Name | INDEX_C3D_KITCHENPAE |
| Reviewer | | Order | 0002586 |
| Approves | P. SAWA | Date | 09/07/2025 |



| | | | |
|-----------------|---------------------------|------------------|----------------------|
| Model | ROMM_CONVECT_DDM_1600_9_1 | | |
| Creator | SUTTHI.P | .BCP Name | INDEX_C3D_KITCHENPAE |
| Reviewer | | Order | 0002659 |
| Approves | P. SAWA | Date | 22/07/2025 |

ROMM_CONVECT_DDM_1600_9_1-1600X9X365

Colour

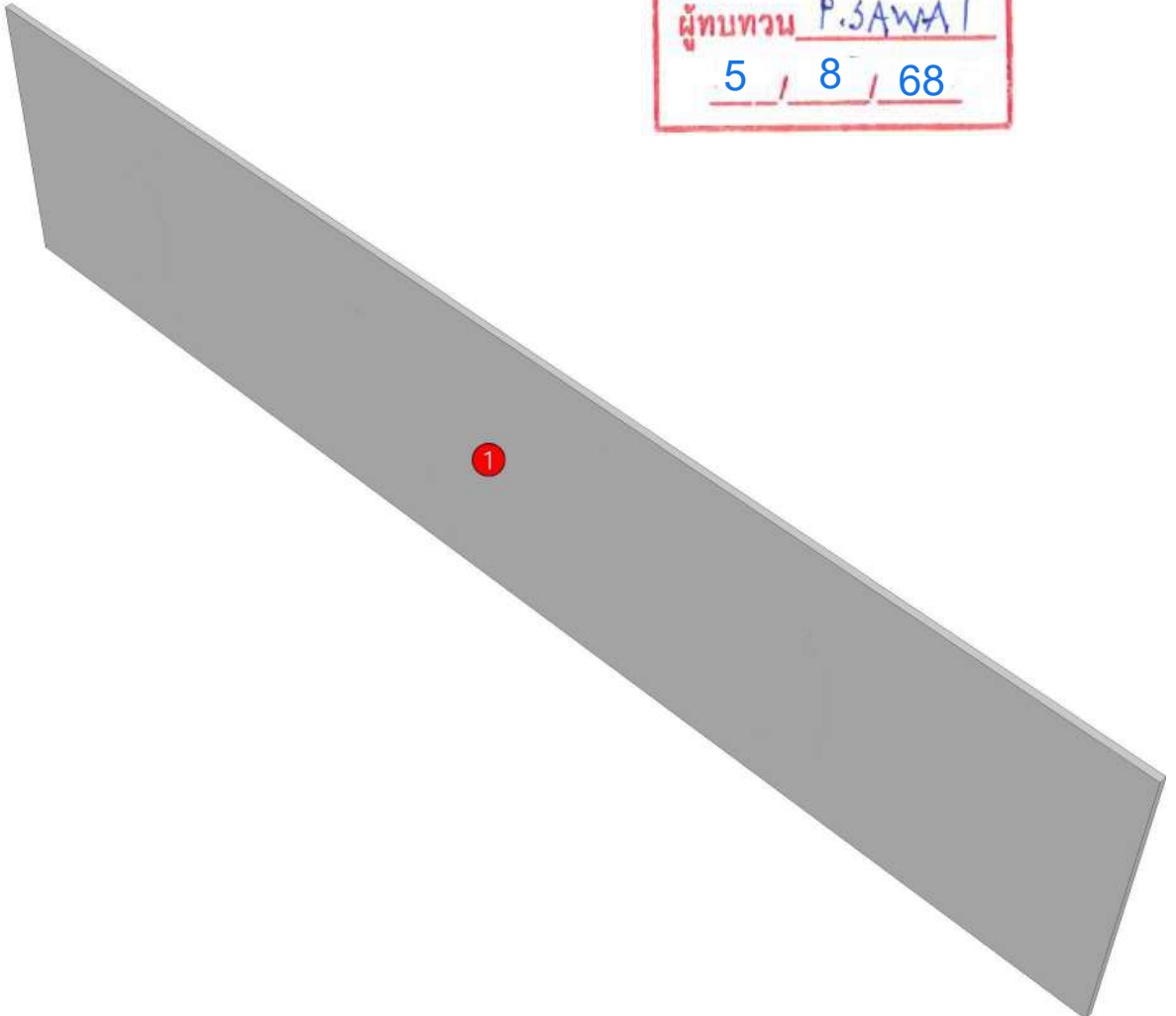
04.69=PB-E1 4'X8'T LAMINATE WILMIKA TEXT NO. W3125-16
04.691=ALVIC LUMAX-SPP/4'X10'X18MM.-BLANCO SUPPERMATT(LX8
05.01=ML WHITE VM1012 18/18

Edge

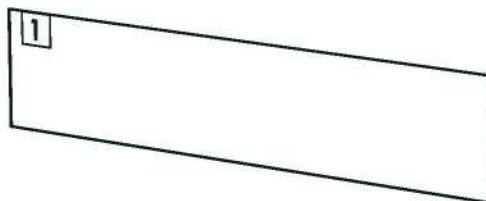
01.405=1 DWK3125AT
01.4051=1 WHITE 01016

K2R 160160436

| | |
|-------------------------------------|-------------------|
| R&D REVIEW | |
| <input checked="" type="checkbox"/> | DWG.Customer |
| <input type="checkbox"/> | Work Report |
| <input type="checkbox"/> | Function |
| <input type="checkbox"/> | สินค้าตรงตัวอย่าง |
| ผู้ทบทวน <u>P.SAWA</u> | |
| <u>5</u> / <u>8</u> / <u>68</u> | |



| | | | |
|-----------------|----------------------------|------------------|----------------------|
| Model | -ROMM_CONVECT_DDM_1600_9_1 | | |
| Creator | SUTTHI.P | .BCP Name | INDEX_C3D_KITCHENPAE |
| Reviewer | | Order | 0002659 |
| Approves | P. SAWA | Date | 22/07/2025 |



| | | | |
|-----------------|------------------------|------------------|----------------------|
| Model | ROMM_CONVECT_DDM_950_1 | | |
| Creator | SUTTHI.P | .BCP Name | INDEX_C3D_KITCHENPAE |
| Reviewer | | Order | O002605 |
| Approves | P. SAWA | Date | 09/07/2025 |

ROMM_CONVECT_DDM_950_1-950X18X135

Colour

04.69=PB-E1 4'X8'T LAMINATE WILMIKA TEXT NO. W3125-16
04.691=ALVIC LUMAX-SPP/4'X10'X18MM.-BLANCO SUPPERMATT(LX8)

Edge

01.405=1 DWK3125AT
01.4051=1 WHITE 01016

K2R 160160436

| | |
|-------------------------------------|-------------------|
| R&D REVIEW | |
| <input checked="" type="checkbox"/> | DWG.Customer |
| <input type="checkbox"/> | Work Report |
| <input type="checkbox"/> | Function |
| <input type="checkbox"/> | สินค้าตรงตัวอย่าง |
| ผู้ทบทวน <u>P.SAWA</u> | |
| <u>5 / 8 / 68</u> | |



| | | | |
|-----------------|-------------------------|------------------|----------------------|
| Model | -ROMM_CONVECT_DDM_950_1 | | |
| Creator | SUTTHI.P | .BCP Name | INDEX_C3D_KITCHENPAE |
| Reviewer | | Order | 0002605 |
| Approves | <i>P. SAWA</i> | Date | 09/07/2025 |



| | | | |
|-----------------|--------------------|------------------|----------------------|
| Model | ROMM_CONVECT_DFB_1 | | |
| Creator | SUTTHI.P | .BCP Name | INDEX_C3D_KITCHENPAE |
| Reviewer | | Order | O002614 |
| Approves | <i>P.SAWA</i> | Date | 09/07/2025 |

ROMM_CONVECT_DFB_1-150X18X730

Colour

04.69=PB-E1 4'X8'T LAMINATE WILMIKA TEXT NO. W3125-16
04.691=ALVIC LUMAX-SPP/4'X10'X18MM.-BLANCO SUPPERMATT(LX8
05.01=ML WHITE VM1012 18/18

Edge

01.405=1 DWK3125AT
01.4051=1 WHITE 01016
01.47=1 WHITE

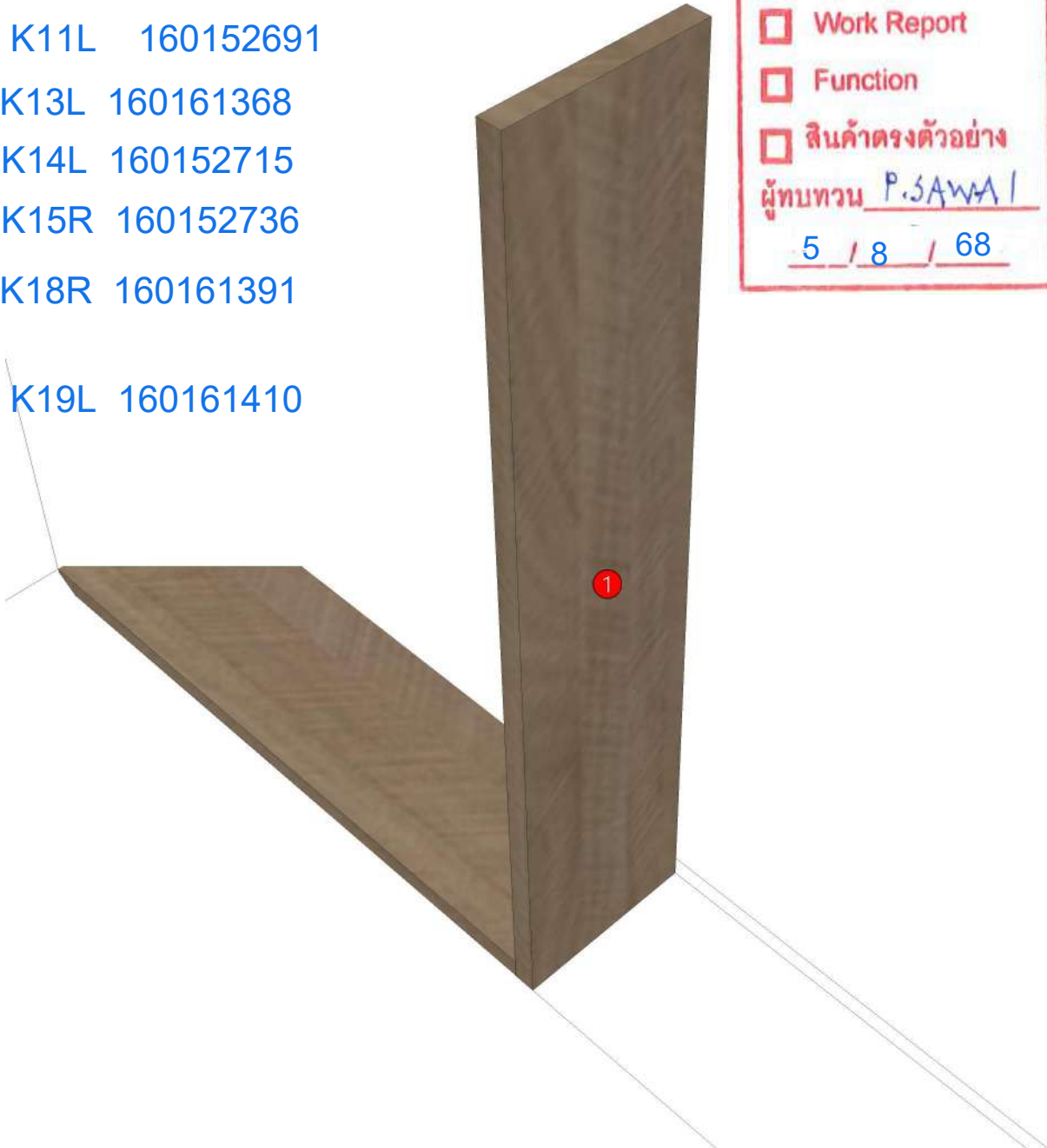
- K2R 160160436
- K3R 160161323
- K11L 160152691
- K13L 160161368
- K14L 160152715
- K15R 160152736
- K18R 160161391
- K19L 160161410

R&D REVIEW

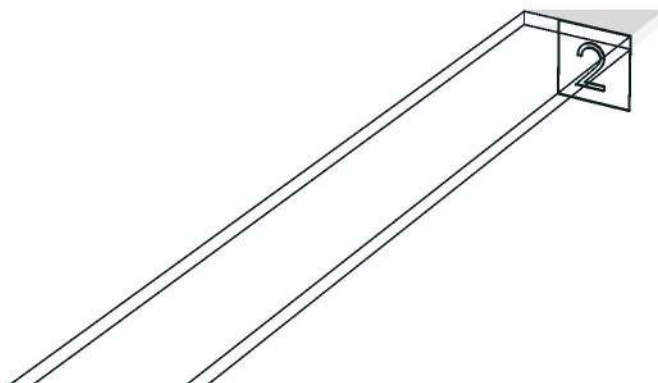
- DWG.Customer
- Work Report
- Function
- สินค้าตรงตัวอย่าง

ผู้ทบทวน P.SAWA

5 / 8 / 68



| | | | |
|-----------------|---------------------|------------------|----------------------|
| Model | -ROMM_CONVECT_DFB_1 | | |
| Creator | SUTTHI.P | .BCP Name | INDEX_C3D_KITCHENPAE |
| Reviewer | | Order | 0002614 |
| Approves | <i>P. SAWA</i> | Date | 09/07/2025 |



| | | | |
|-----------------|--------------------------|------------------|----------------------|
| Model | ROMM_CONVECT_DFCL_2000_1 | | |
| Creator | SUTTHI.P | .BCP Name | INDEX_C3D_KITCHENPAE |
| Reviewer | | Order | O002621 |
| Approves | <i>P. SAWA</i> | Date | 09/07/2025 |

ROMM_CONVECT_DFCL_2000_1-2000X9X100

Colour

04.69=PB-E1 4'X8'T LAMINATE WILMIKA TEXT NO. W3125-16
04.691=ALVIC LUMAX-SPP/4'X10'X18MM.-BLANCO SUPPERMATT(LX8)

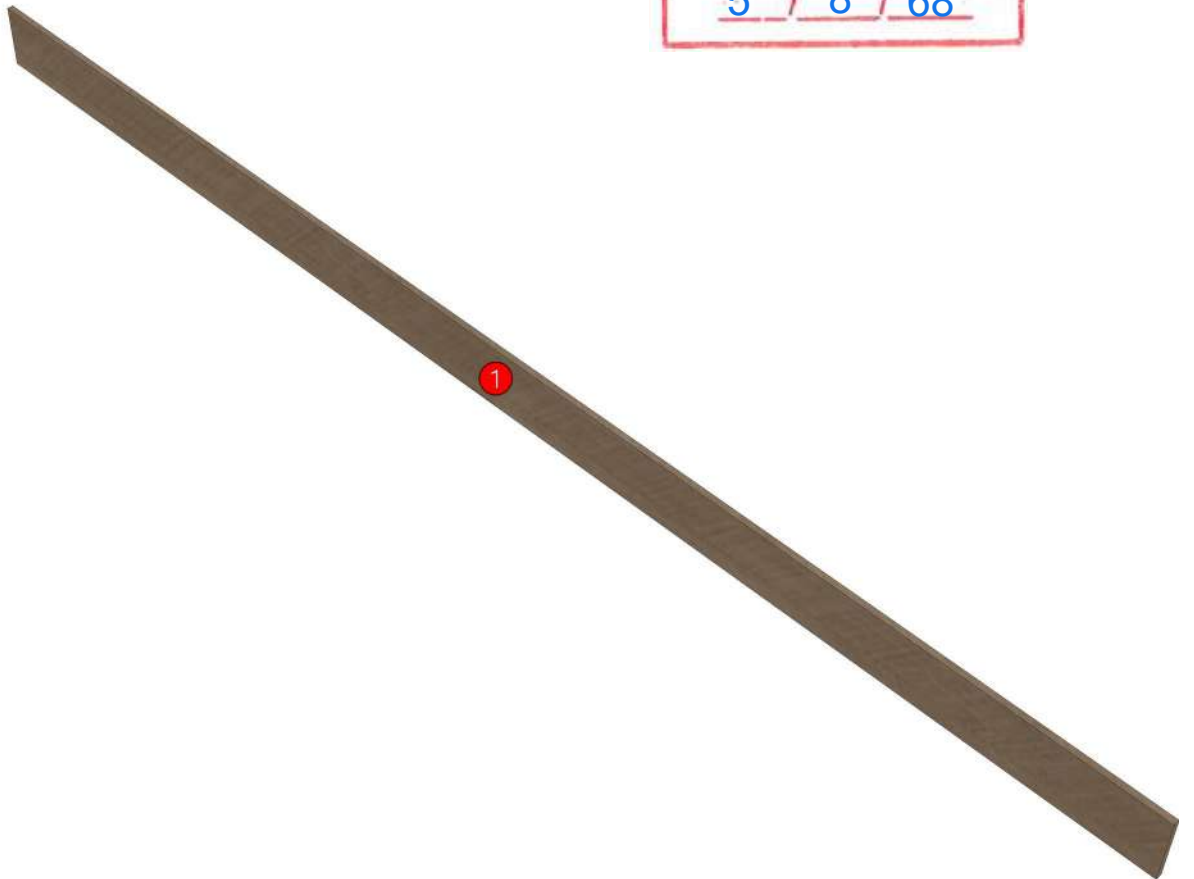
Edge

01.405=1 DWK3125AT
01.4051=1 WHITE 01016

K2R 160160436

K11L 160152691

| | |
|-------------------------------------|-------------------|
| R&D REVIEW | |
| <input checked="" type="checkbox"/> | DWG.Customer |
| <input type="checkbox"/> | Work Report |
| <input type="checkbox"/> | Function |
| <input type="checkbox"/> | สินค้าตรงตัวอย่าง |
| ผู้ทบทวน <u>P.SAWA</u> | |
| <u>5 / 8 / 68</u> | |



| | | | |
|-----------------|---------------------------|------------------|----------------------|
| Model | -ROMM_CONVECT_DFCL_2000_1 | | |
| Creator | SUTTHI.P | .BCP Name | INDEX_C3D_KITCHENPAE |
| Reviewer | | Order | 0002621 |
| Approves | P. SAWA | Date | 09/07/2025 |



| | | | |
|-----------------|-------------------------|------------------|----------------------|
| Model | ROMM_CONVECT_DFCL_700_1 | | |
| Creator | SUTTHI.P | .BCP Name | INDEX_C3D_KITCHENPAE |
| Reviewer | | Order | 0002625 |
| Approves | P. SAWA | Date | 09/07/2025 |

ROMM_CONVECT_DFCL_700_1-700X9X100

Colour

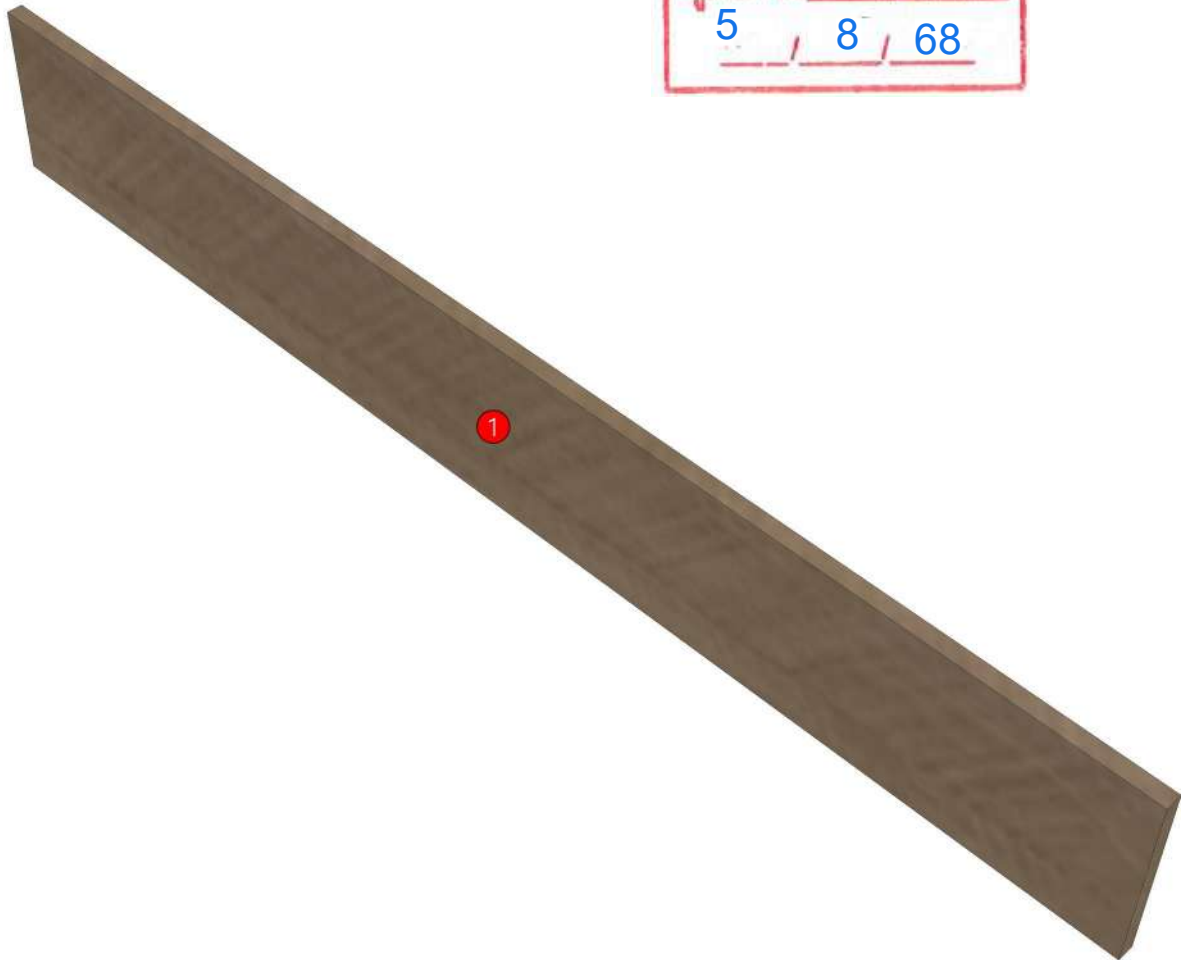
04.69=PB-E1 4'X8'T LAMINATE WILMIKA TEXT NO. W3125-16
04.691=ALVIC LUMAX-SPP/4'X10'X18MM.-BLANCO SUPPERMATT(LX8)

Edge

01.405=1 DWK3125AT
01.4051=1 WHITE 01016

K2R 160160436
K5R 160152669
K11L 160152691

| | |
|-------------------------------------|-------------------|
| R&D REVIEW | |
| <input checked="" type="checkbox"/> | DWG.Customer |
| <input type="checkbox"/> | Work Report |
| <input type="checkbox"/> | Function |
| <input type="checkbox"/> | สินค้าตรงตัวอย่าง |
| ผู้ทบทวน P.SAWA / | |
| 5 | 8 / 68 |



| | | | |
|-----------------|--------------------------|------------------|----------------------|
| Model | -ROMM_CONVECT_DFCL_700_1 | | |
| Creator | SUTTHI.P | .BCP Name | INDEX_C3D_KITCHENPAE |
| Reviewer | | Order | 0002625 |
| Approves | <i>P. SAWA</i> | Date | 09/07/2025 |



| | | | |
|-----------------|-------------------------|------------------|----------------------|
| Model | ROMM_CONVECT_DFLR_630_1 | | |
| Creator | SUTTHI.P | .BCP Name | INDEX_C3D_KITCHENPAE |
| Reviewer | | Order | O002631 |
| Approves | P. SAWA | Date | 09/07/2025 |

ROMM_CONVECT_DFLR_630_1-630X18X310

Colour

04.69=PB-E1 4'X8'T LAMINATE WILMIKA TEXT NO. W3125-16
04.691=ALVIC LUMAX-SPP/4'X10'X18MM.-BLANCO SUPPERMATT(LX8)

Edge

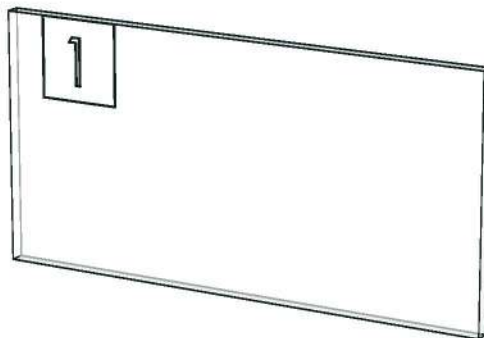
01.405=1 DWK3125AT
01.4051=1 WHITE 01016

K2R 160160436

| | |
|-------------------------------------|-------------------|
| R&D REVIEW | |
| <input checked="" type="checkbox"/> | DWG.Customer |
| <input type="checkbox"/> | Work Report |
| <input type="checkbox"/> | Function |
| <input type="checkbox"/> | สินค้าตรงตัวอย่าง |
| ผู้ทบทวน <u>P.SAWA</u> | |
| <u>5</u> / <u>8</u> / <u>68</u> | |



| | | | |
|-----------------|--------------------------|------------------|----------------------|
| Model | -ROMM_CONVECT_DFLR_630_1 | | |
| Creator | SUTTHI.P | .BCP Name | INDEX_C3D_KITCHENPAE |
| Reviewer | | Order | O002631 |
| Approves | P. SAWA | Date | 09/07/2025 |



| | | | |
|-----------------|--------------------|------------------|----------------------|
| Model | ROMM_CONVECT_DFL_1 | | |
| Creator | SUTTHI.P | .BCP Name | INDEX_C3D_KITCHENPAE |
| Reviewer | | Order | O002629 |
| Approves | <i>P. SAWA</i> | Date | 09/07/2025 |

ROMM_CONVECT_DFL_1-150X18X800

Colour

04.69=PB-E1 4'X8'T LAMINATE WILMIKA TEXT NO. W3125-16
04.691=ALVIC LUMAX-SPP/4'X10'X18MM.-BLANCO SUPPERMATT(LX8
05.01=ML WHITE VM1012 18/18

Edge

01.405=1 DWK3125AT
01.4051=1 WHITE 01016
01.47=1 WHITE

K1R 160160423

K2R 160160436

K3R 160161323

K4L 160166148

K6L 160160455

K10R 160161347

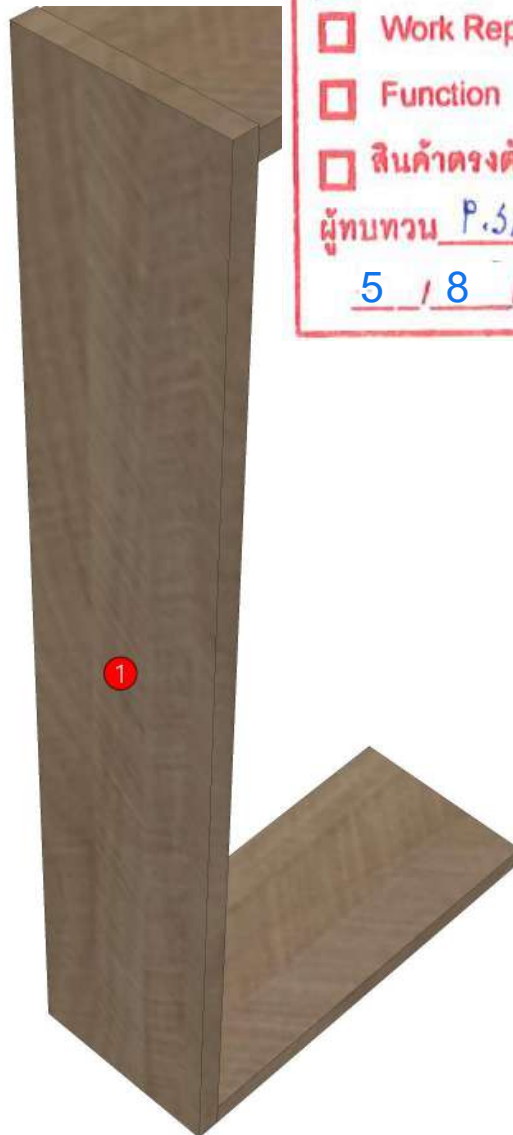
K11L 160152691

K13L 160161368

K15R 160152736

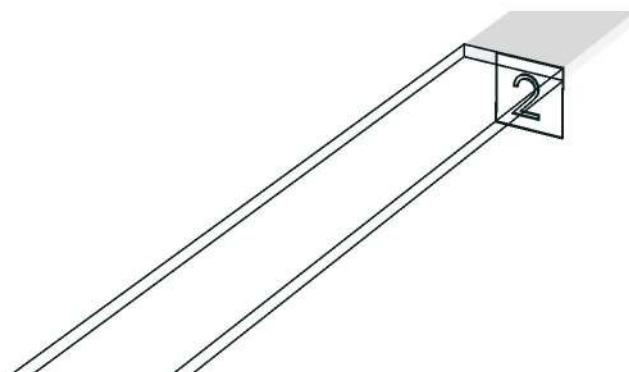
K18R 160161391

K19L 160161410



| R&D REVIEW | |
|-------------------------------------|-------------------|
| <input checked="" type="checkbox"/> | DWG.Customer |
| <input type="checkbox"/> | Work Report |
| <input type="checkbox"/> | Function |
| <input type="checkbox"/> | สินค้าตรงตัวอย่าง |
| ผู้ทบทวน <u>P.SAWA</u> | |
| <u>5 / 8 / 68</u> | |

| | | | |
|-----------------|---------------------|------------------|----------------------|
| Model | -ROMM_CONVECT_DFL_1 | | |
| Creator | SUTTHI.P | .BCP Name | INDEX_C3D_KITCHENPAE |
| Reviewer | | Order | 0002629 |
| Approves | <i>P. SAWA</i> | Date | 09/07/2025 |



| | | | |
|-----------------|-------------------------|------------------|----------------------|
| Model | ROMM_CONVECT_DSH_1200_1 | | |
| Creator | SUTTHI.P | .BCP Name | INDEX_C3D_KITCHENPAE |
| Reviewer | | Order | 0002534 |
| Approves | P.SAWA | Date | 10/06/2025 |

ROMM_CONVECT_DSH_1200_1-1200X350X25

Colour

04.69=PB-E1 4'X8'T LAMINATE WILMIKA TEXT NO. W3125-16
04.691=ALVIC LUMAX-SPP/4'X10'X18MM.-BLANCO SUPPERMATT(LX8)

Edge

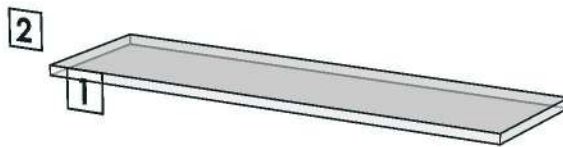
01.405=1 DWK3125AT
01.4051=1 WHITE 01016

K2R 160160436

| | |
|-------------------------------------|-------------------|
| R&D REVIEW | |
| <input checked="" type="checkbox"/> | DWG.Customer |
| <input type="checkbox"/> | Work Report |
| <input type="checkbox"/> | Function |
| <input type="checkbox"/> | สินค้าตรงตัวอย่าง |
| ผู้ทบทวน <u>P.SAWA</u> | |
| <u>31 / 7 / 68</u> | |



| | | | |
|-----------------|--------------------------|------------------|----------------------|
| Model | -ROMM_CONVECT_DSH_1200_1 | | |
| Creator | SUTTHI.P | .BCP Name | INDEX_C3D_KITCHENPAE |
| Reviewer | | Order | 0002534 |
| Approves | <i>P. SAWA</i> | Date | 10/06/2025 |



| | | | |
|-----------------|----------------------|------------------|----------------------|
| Model | ROMM_CONVECT_DL30R_1 | | |
| Creator | SUTTHI.P | .BCP Name | INDEX_C3D_KITCHENPAE |
| Reviewer | | Order | O002505 |
| Approves | <i>P.SAWA</i> | Date | 09/06/2025 |

ROMM_CONVECT_DL30R_1-300X350X700

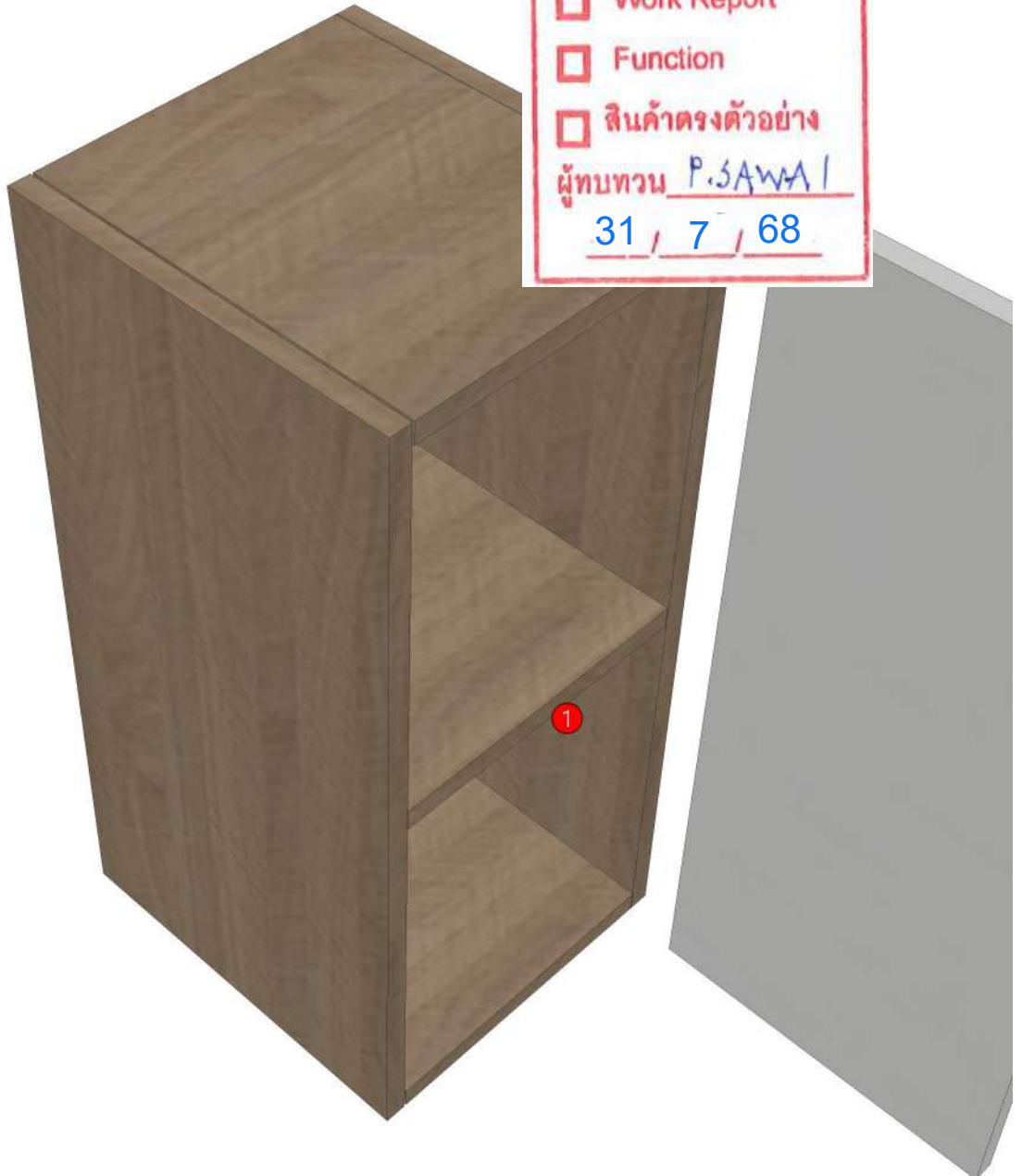
Colour

04.69=PB-E1 4'X8'T LAMINATE WILMIKA TEXT NO. W3125-16
04.691=ALVIC LUMAX-SPP/4'X10'X18MM.-BLANCO SUPPERMATT(LX8)
04.692=PB-E1 4'X9'T. LAMINA WILMIKA TEXT NO. W3125-16
04.693=HPL WILMIKA NO. W3125-16/HPL.TD#9201 PL

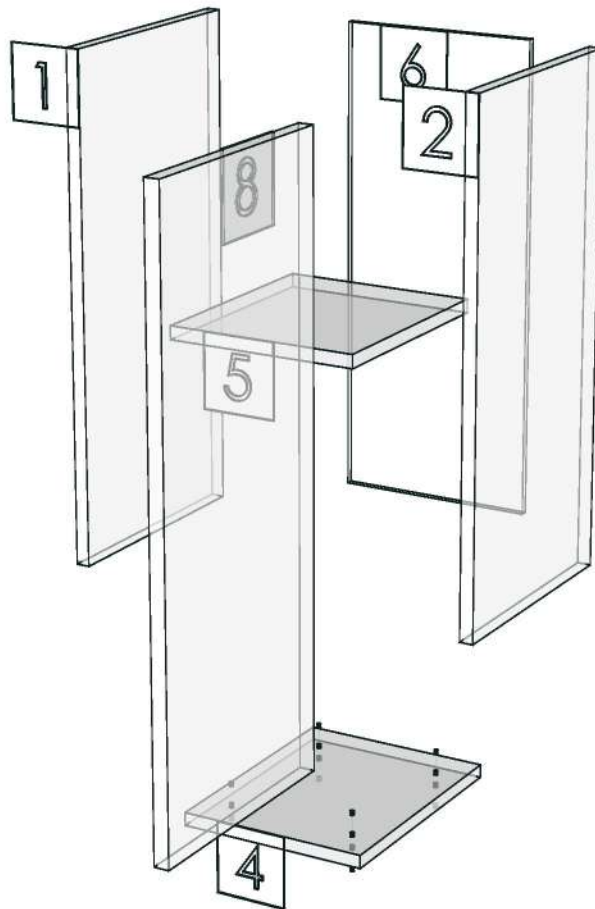
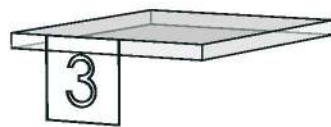
Edge

01.405=1 DWK3125AT
01.4051=1 WHITE 01016

K2R 160160436



| | | | |
|-----------------|-----------------------|------------------|----------------------|
| Model | -ROMM_CONVECT_DL30R_1 | | |
| Creator | SUTTHI.P | .BCP Name | INDEX_C3D_KITCHENPAE |
| Reviewer | | Order | O002505 |
| Approves | <i>P. SAWA</i> | Date | 09/06/2025 |



| | | | |
|-----------------|-----------------------|------------------|----------------------|
| Model | ROMM_CONVECT_DL605R_1 | | |
| Creator | SUTTHI.P | .BCP Name | INDEX_C3D_KITCHENPAE |
| Reviewer | | Order | O002517 |
| Approves | <i>P. SAWA</i> | Date | 09/06/2025 |

ROMM_CONVECT_DL605R_1-605X330X680

Colour

04.69=PB-E1 4'X8'T LAMINATE WILMIKA TEXT NO. W3125-16
 04.691=ALVIC LUMAX-SPP/4'X10'X18MM.-BLANCO SUPPERMATT(LX8)
 04.692=PB-E1 4'X9'T. LAMINA WILMIKA TEXT NO. W3125-16
 04.693=HPL WILMIKA NO. W3125-16/HPL.TD#9201 PL

Edge

01.405=1 DWK3125AT
 01.4051=1 WHITE 01016

K1R 160160423

K11L 160152691

K2R 160160436

K18R 160161391

K3R 160161323

K19L 160161410

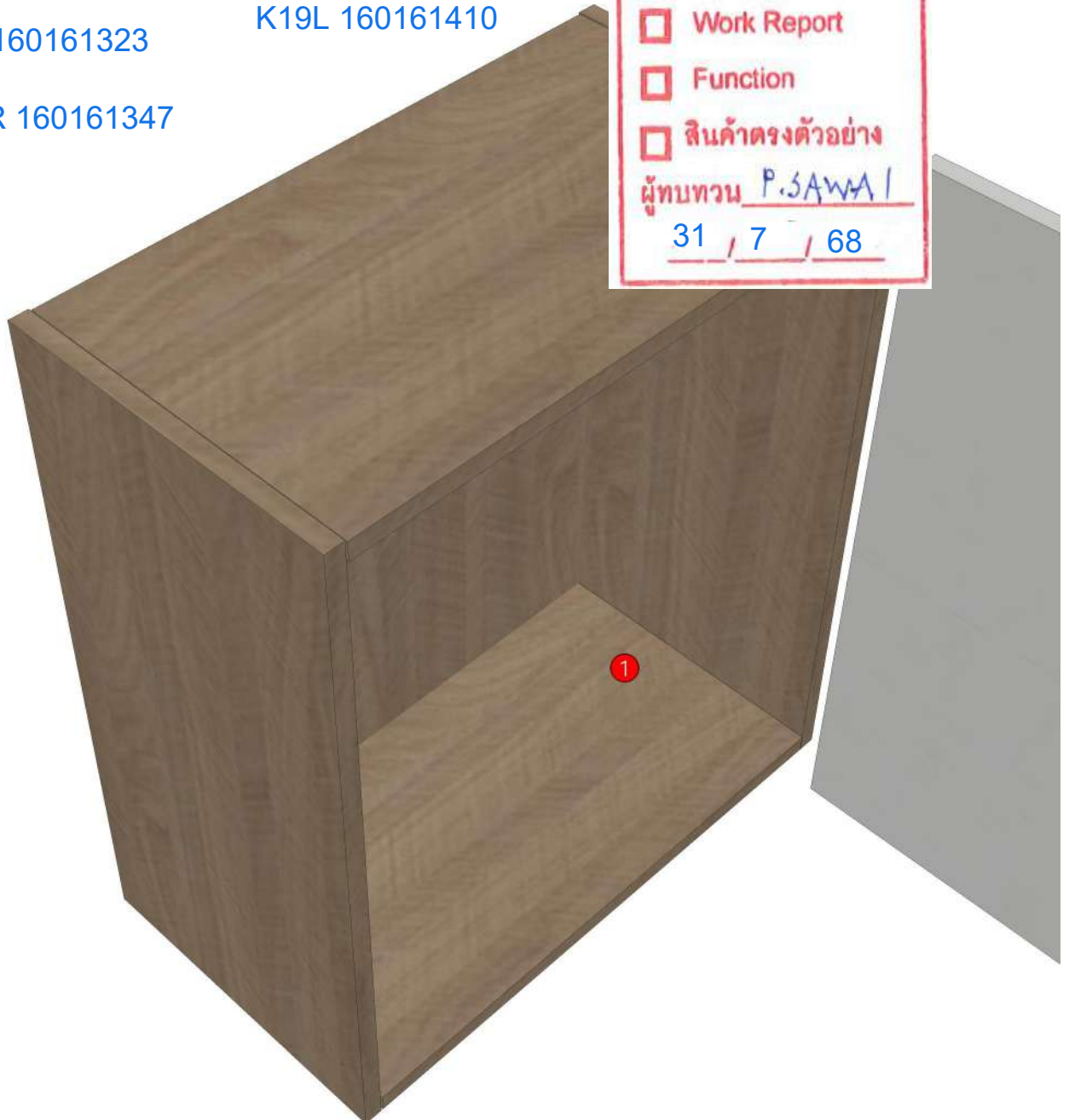
K10R 160161347

R&D REVIEW

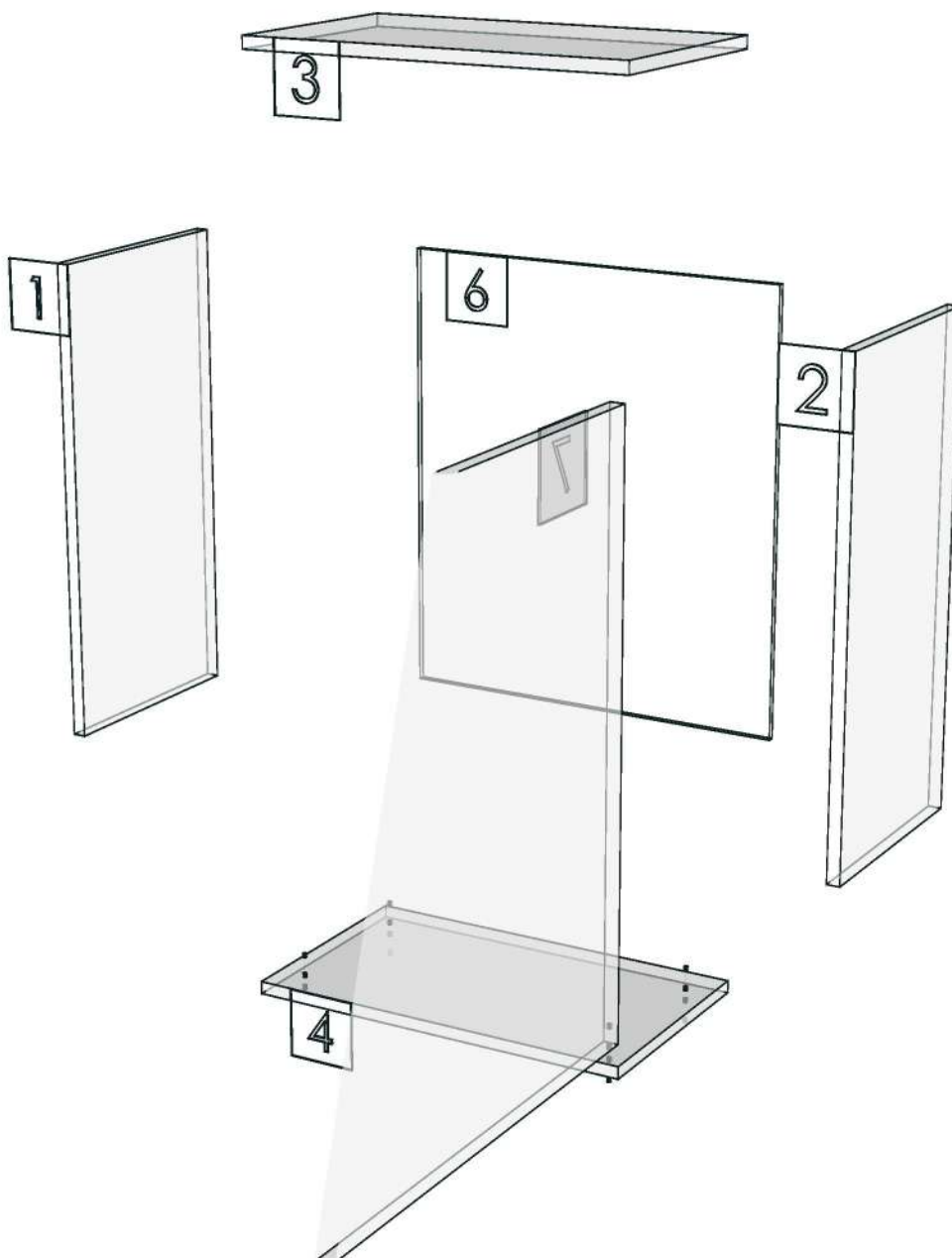
- DWG.Customer
- Work Report
- Function
- สินค้าตรงตัวอย่าง

ผู้ทบทวน P.SAWA

31 / 7 / 68



| | | | |
|-----------------|------------------------|------------------|----------------------|
| Model | -ROMM_CONVECT_DL605R_1 | | |
| Creator | SUTTHI.P | .BCP Name | INDEX_C3D_KITCHENPAE |
| Reviewer | | Order | 0002517 |
| Approves | <i>P. SAWA</i> | Date | 09/06/2025 |



| | | | |
|-----------------|--------------------------|------------------|----------------------|
| Model | ROMM_CONVECT_DL60HL_SR_1 | | |
| Creator | SUTTHI.P | .BCP Name | INDEX_C3D_KITCHENPAE |
| Reviewer | | Order | O002511 |
| Approves | <i>P.SAWA</i> | Date | 09/06/2025 |

ROMM_CONVECT_DL60HL_SR_1-600X330X1025

Colour

04.69=PB-E1 4'X8'T LAMINATE WILMIKA TEXT NO. W3125-16
 04.691=ALVIC LUMAX-SPP/4'X10'X18MM.-BLANCO SUPPERMATT(LX8)
 04.692=PB-E1 4'X9'T. LAMINA WILMIKA TEXT NO. W3125-16
 04.693=HPL WILMIKA NO. W3125-16/HPL.TD#9201 PL

Edge

01.405=1 DWK3125AT
 01.4051=1 WHITE 01016

K2R 160160436 K15R 160152736
 K3R 160161323 K18R 160161391
 K19L 160161410
 K13L 160161368
 K14L 160152715

R&D REVIEW

DWG.Customer

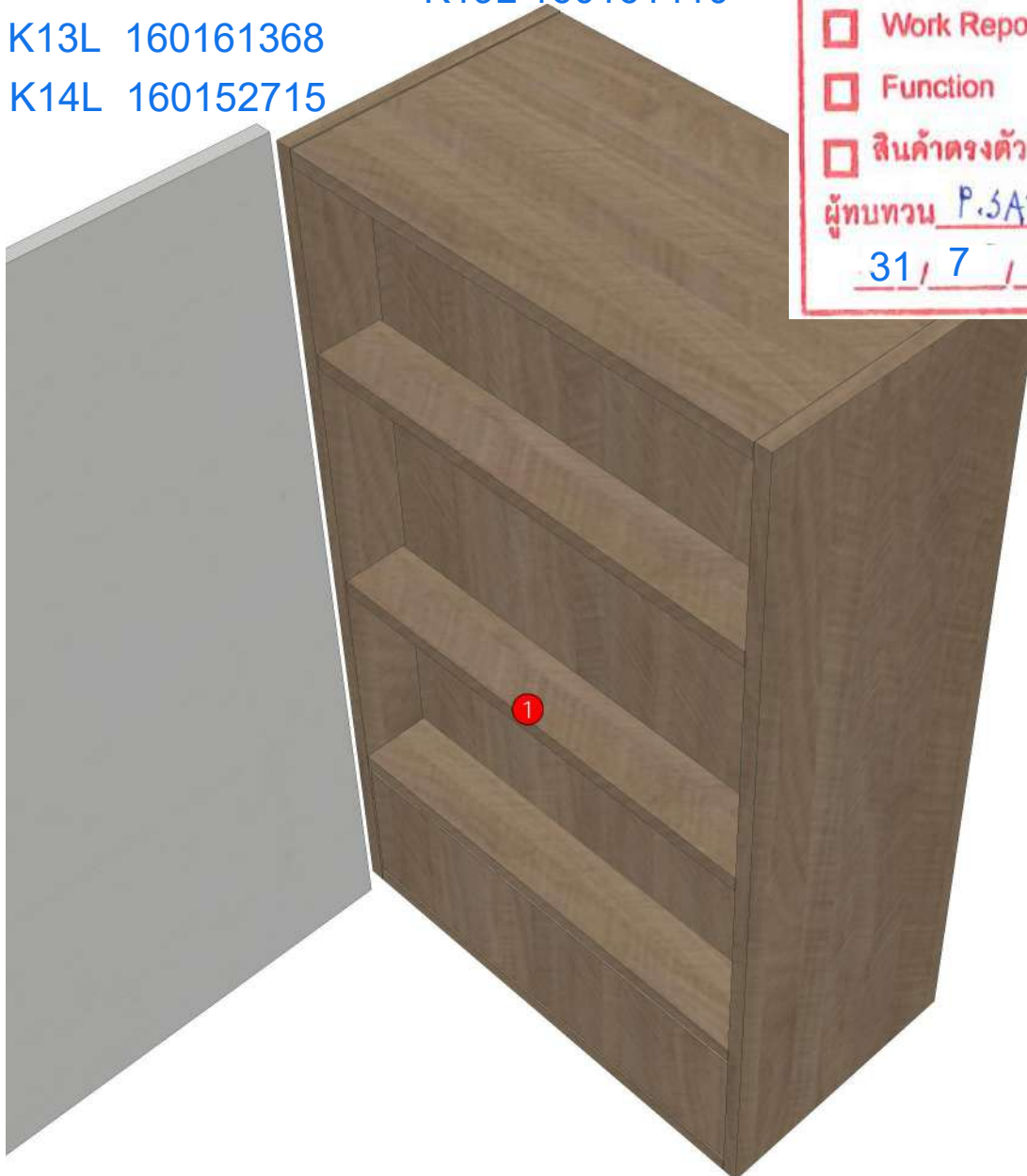
Work Report

Function

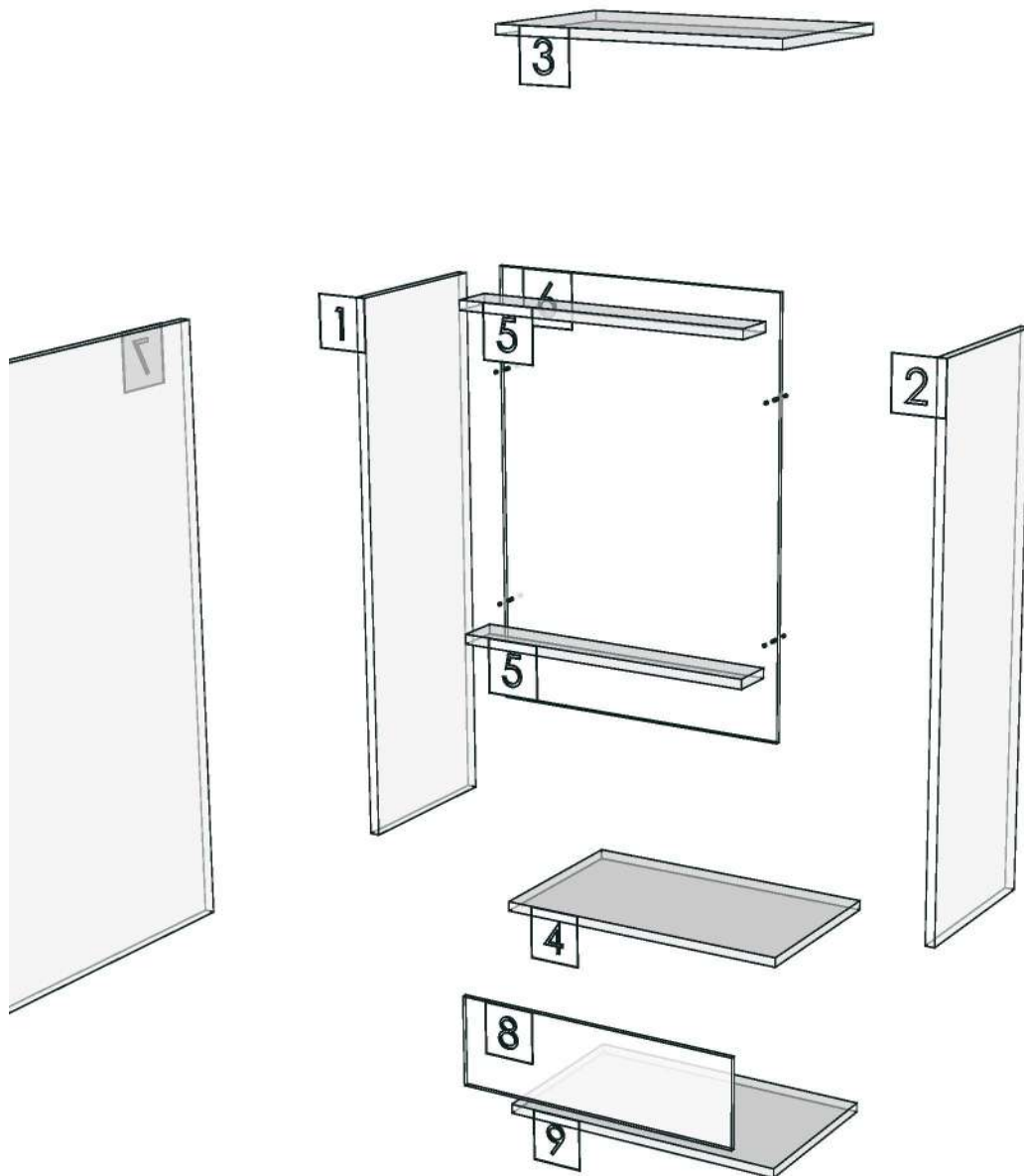
สินค้าตรงตัวอย่าง

ผู้ทบทวน P.SAWA

31 / 7 / 68



| | | | |
|-----------------|---------------------------|------------------|----------------------|
| Model | -ROMM_CONVECT_DL60HL_SR_1 | | |
| Creator | SUTTHI.P | .BCP Name | INDEX_C3D_KITCHENPAE |
| Reviewer | | Order | O002511 |
| Approves | <i>P. SAWA</i> | Date | 09/06/2025 |



| | | | |
|-----------------|----------------------|------------------|----------------------|
| Model | ROMM_CONVECT_DL65L_1 | | |
| Creator | SUTTHI.P | .BCP Name | INDEX_C3D_KITCHENPAE |
| Reviewer | | Order | O002519 |
| Approves | <i>P. SAWA</i> | Date | 09/06/2025 |

ROMM_CONVECT_DL65L_1-650X330X700

Colour

04.69=PB-E1 4'X8'T LAMINATE WILMIKA TEXT NO. W3125-16
04.691=ALVIC LUMAX-SPP/4'X10'X18MM.-BLANCO SUPPERMATT(LX8
04.692=PB-E1 4'X9'T. LAMINA WILMIKA TEXT NO. W3125-16
04.693=HPL WILMIKA NO. W3125-16/HPL.TD#9201 PL

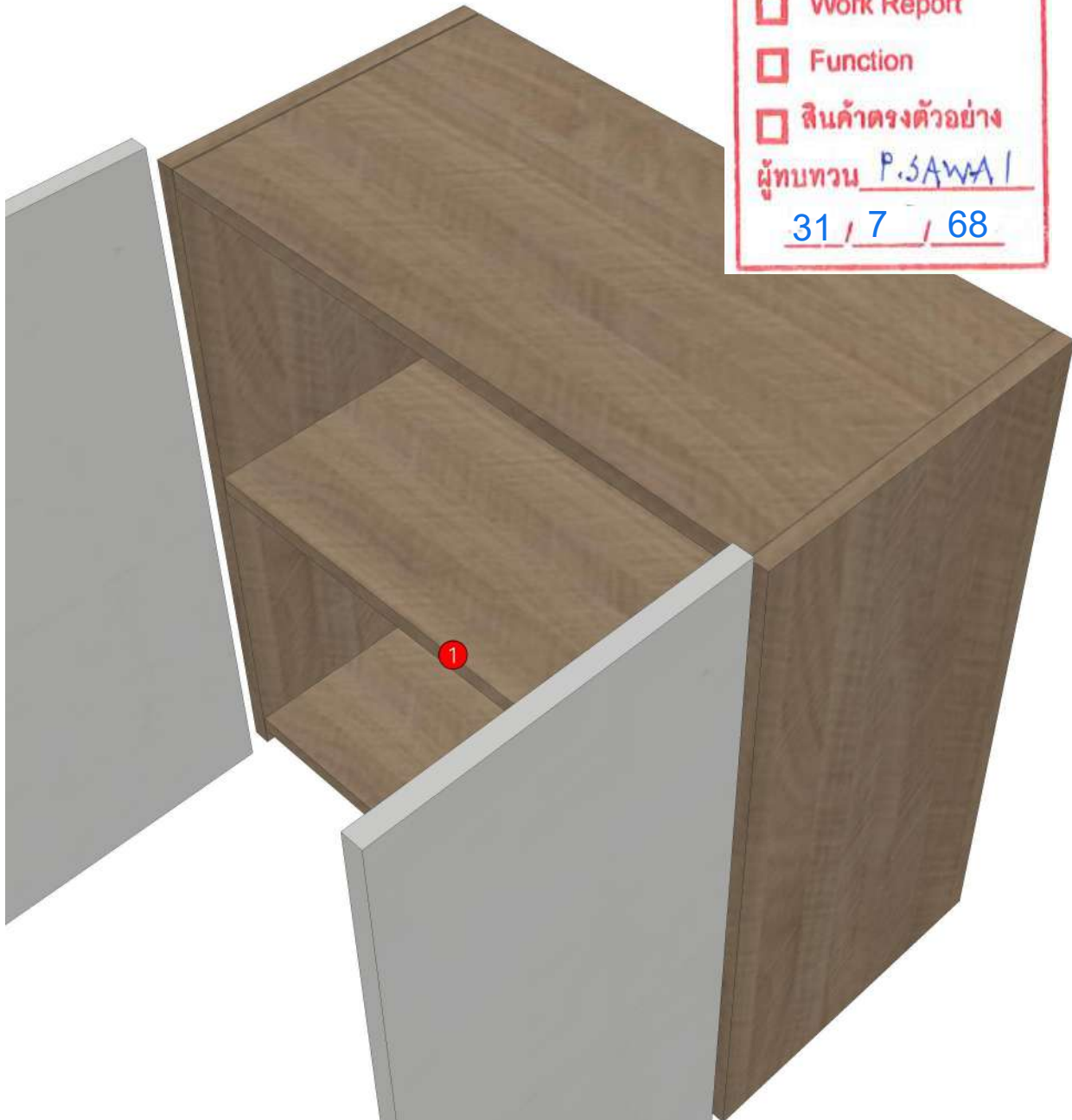
Edge

01.405=1 DWK3125AT
01.4051=1 WHITE 01016

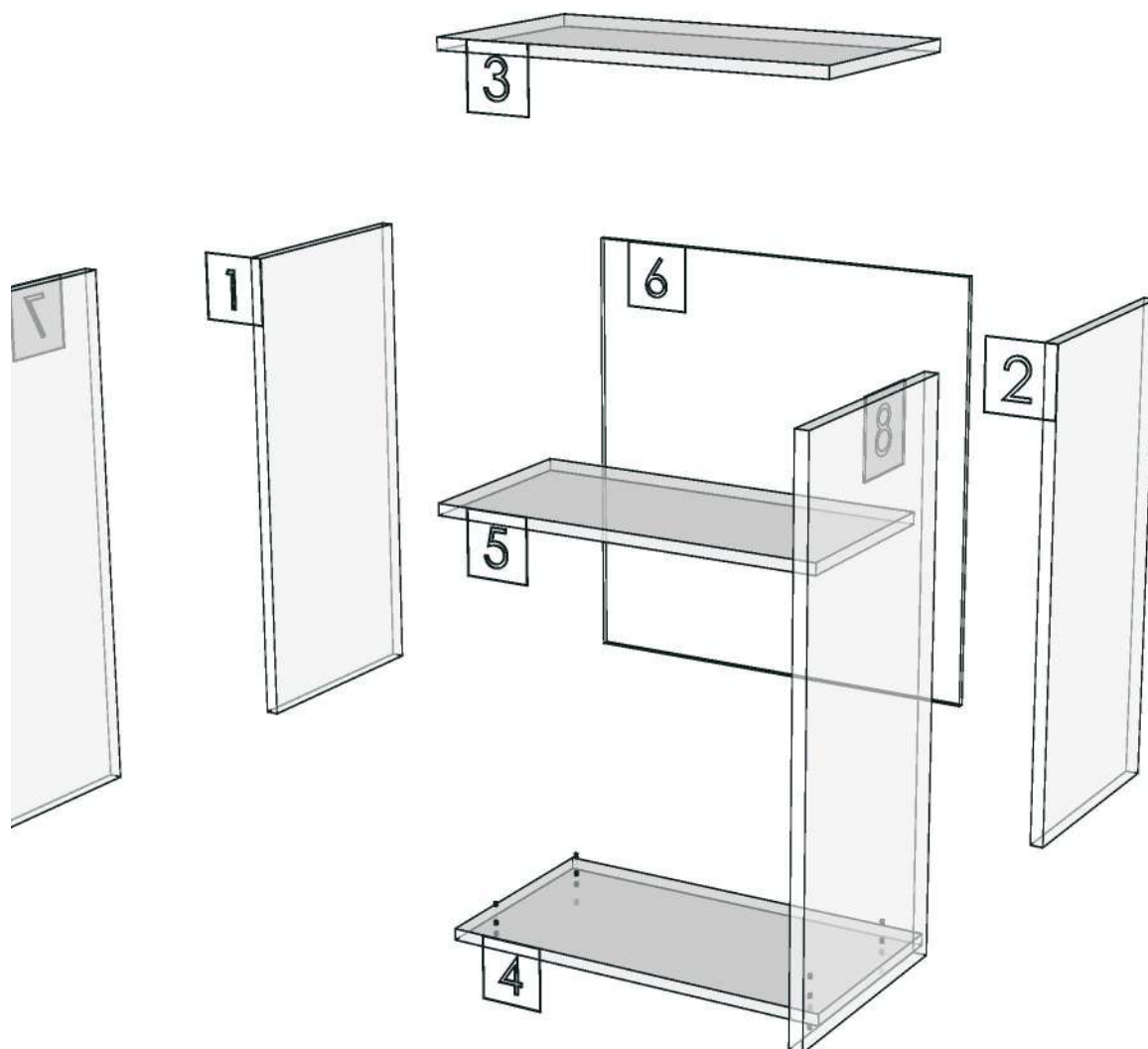
K2R 160160436

K6L 160160455

| | |
|-------------------------------------|-------------------|
| R&D REVIEW | |
| <input checked="" type="checkbox"/> | DWG.Customer |
| <input type="checkbox"/> | Work Report |
| <input type="checkbox"/> | Function |
| <input type="checkbox"/> | สินค้าตรงตัวอย่าง |
| ผู้ทบทวน <u>P.SAWA</u> | |
| <u>31 / 7 / 68</u> | |



| | | | |
|-----------------|-----------------------|------------------|----------------------|
| Model | -ROMM_CONVECT_DL65L_1 | | |
| Creator | SUTTHI.P | .BCP Name | INDEX_C3D_KITCHENPAE |
| Reviewer | | Order | O002519 |
| Approves | <i>P. SAWA</i> | Date | 09/06/2025 |



| | | | |
|-----------------|-----------------------|------------------|----------------------|
| Model | ROMM_CONVECT_DLC25L_1 | | |
| Creator | SUTTHI.P | .BCP Name | INDEX_C3D_KITCHENPAE |
| Reviewer | | Order | O002526 |
| Approves | <i>P.SAWA</i> | Date | 09/06/2025 |

ROMM_CONVECT_DLC25L_1-250X330X680

Colour

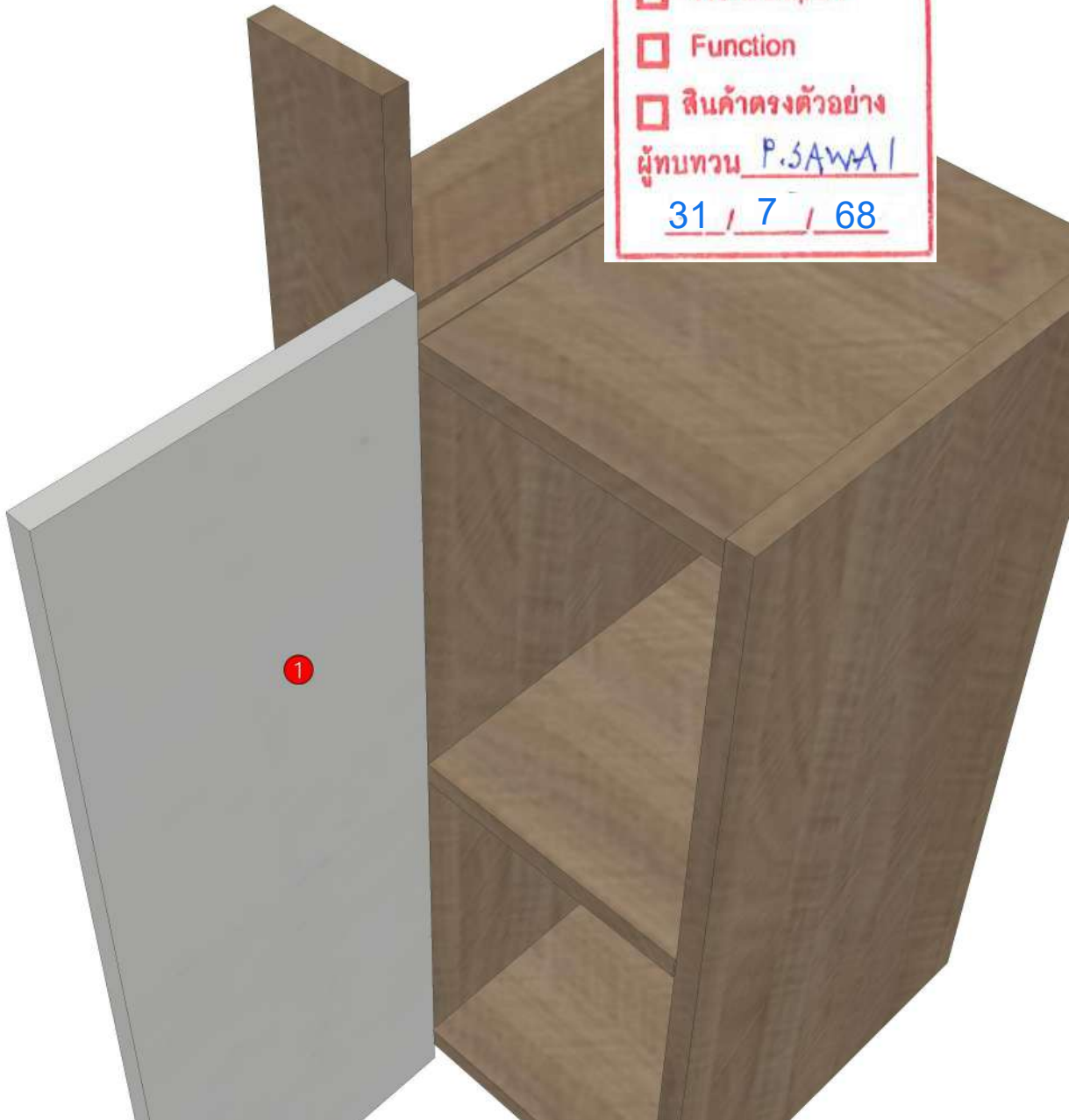
04.69=PB-E1 4'X8'T LAMINATE WILMIKA TEXT NO. W3125-16
04.691=ALVIC LUMAX-SPP/4'X10'X18MM.-BLANCO SUPPERMATT(LX8)
04.692=PB-E1 4'X9'T. LAMINA WILMIKA TEXT NO. W3125-16
04.693=HPL WILMIKA NO. W3125-16/HPL.TD#9201 PL

Edge

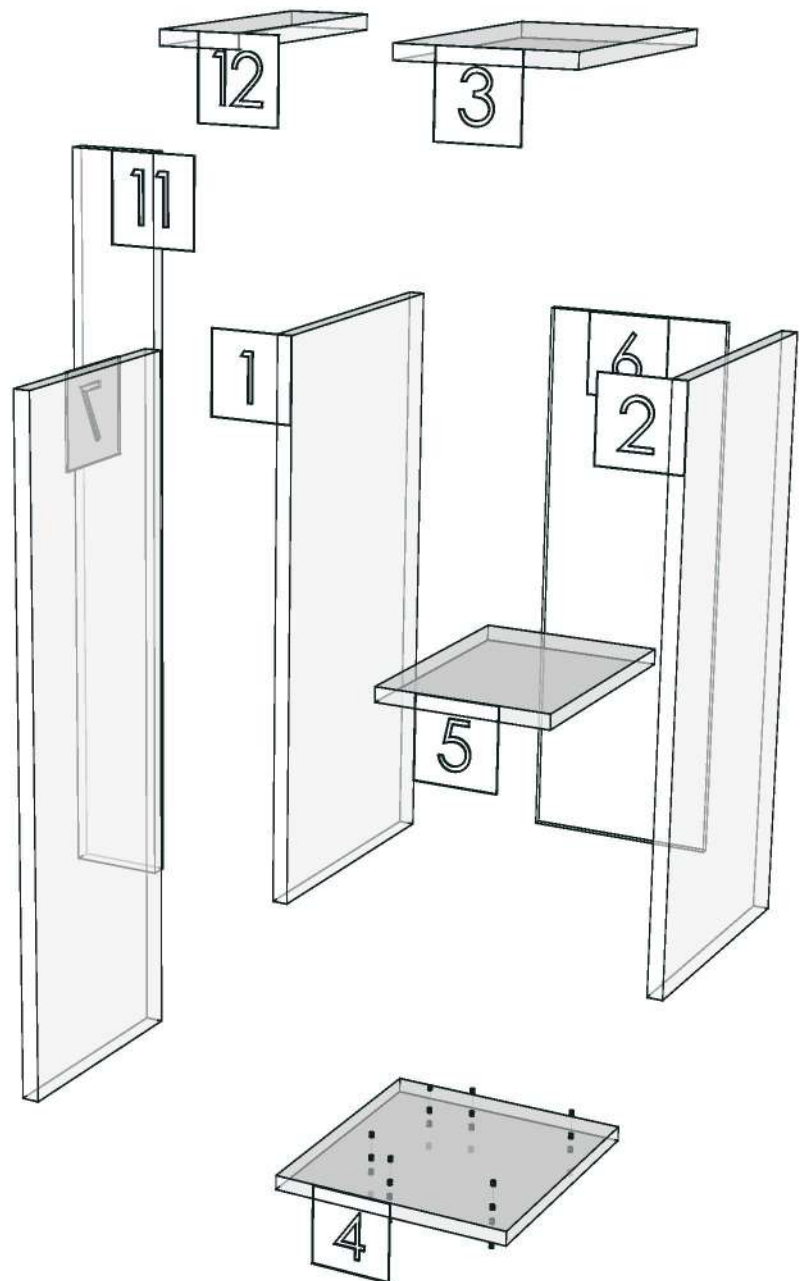
01.405=1 DWK3125AT
01.4051=1 WHITE 01016

K2R 160160436

| | |
|-------------------------------------|-------------------|
| R&D REVIEW | |
| <input checked="" type="checkbox"/> | DWG.Customer |
| <input type="checkbox"/> | Work Report |
| <input type="checkbox"/> | Function |
| <input type="checkbox"/> | สินค้าตรงตัวอย่าง |
| ผู้ทบทวน <u>P.SAWA</u> | |
| <u>31 / 7 / 68</u> | |



| | | | |
|-----------------|------------------------|------------------|----------------------|
| Model | -ROMM_CONVECT_DLC25L_1 | | |
| Creator | SUTTHI.P | .BCP Name | INDEX_C3D_KITCHENPAE |
| Reviewer | | Order | 0002526 |
| Approves | <i>P. SAWA</i> | Date | 09/06/2025 |



| | | | |
|-----------------|--------------------------|------------------|----------------------|
| Model | ROMM_CONVECT_DLC80_50R_1 | | |
| Creator | SUTTHI.P | .BCP Name | INDEX_C3D_KITCHENPAE |
| Reviewer | | Order | O002529 |
| Approves | <i>P. SAWA</i> | Date | 09/06/2025 |

ROMM_CONVECT_DLC80_50R_1-800X330X680

Colour

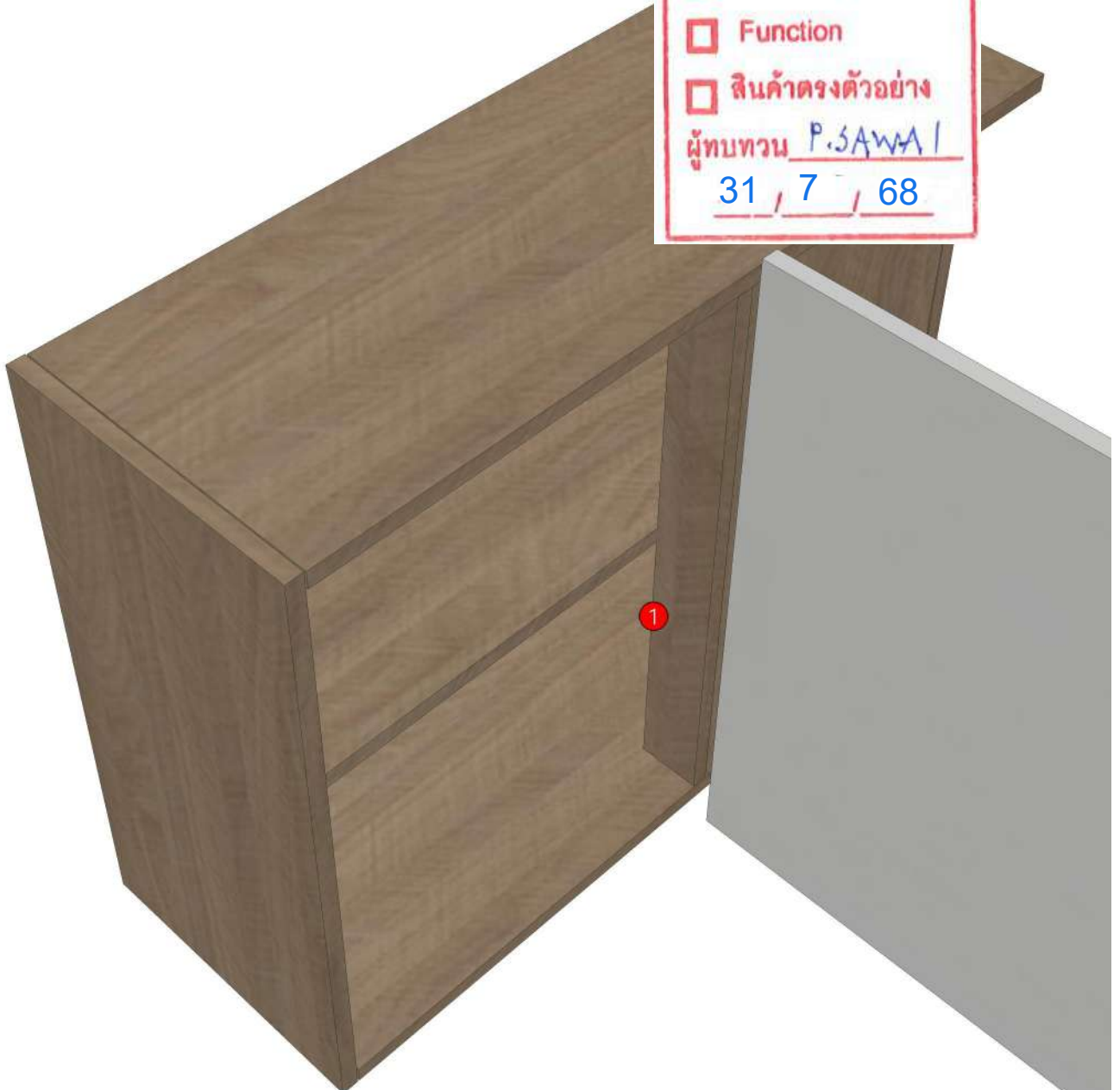
04.69=PB-E1 4'X8'T LAMINATE WILMIKA TEXT NO. W3125-16
04.691=ALVIC LUMAX-SPP/4'X10'X18MM.-BLANCO SUPPERMATT(LX8
04.692=PB-E1 4'X9'T. LAMINA WILMIKA TEXT NO. W3125-16
04.693=HPL WILMIKA NO. W3125-16/HPL.TD#9201 PL

Edge

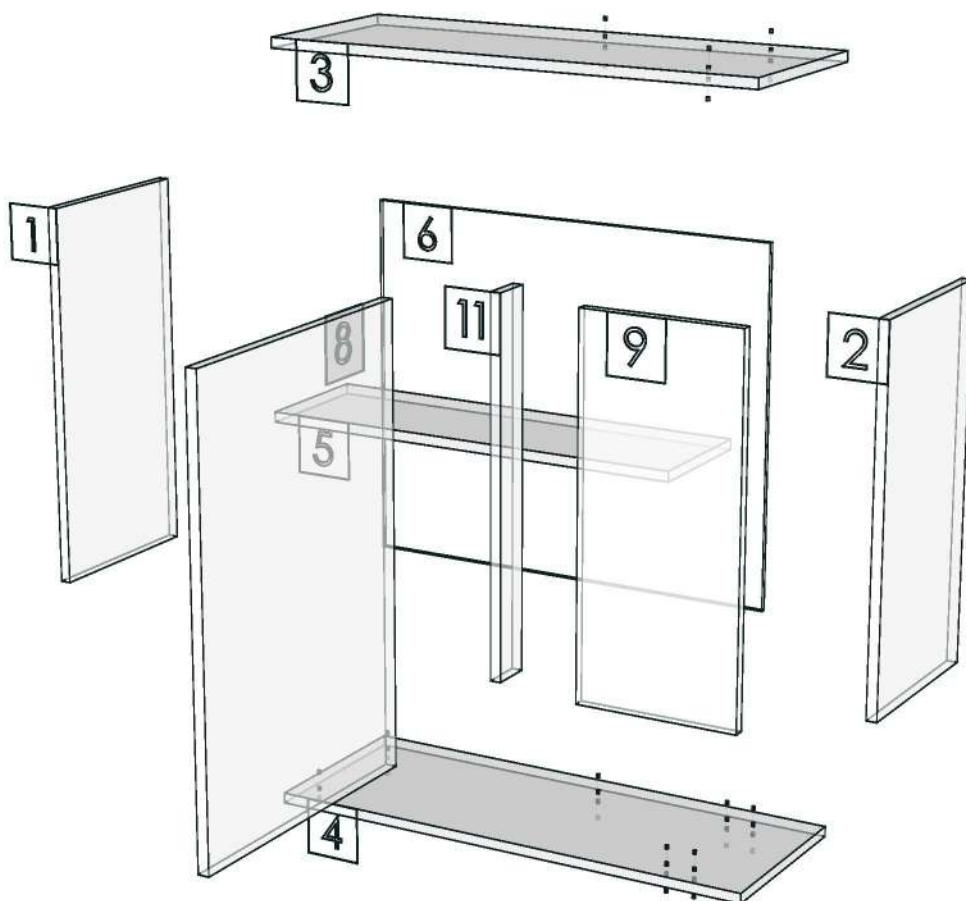
01.405=1 DWK3125AT
01.4051=1 WHITE 01016

K2R 160160436

| | |
|-------------------------------------|-------------------|
| R&D REVIEW | |
| <input checked="" type="checkbox"/> | DWG.Customer |
| <input type="checkbox"/> | Work Report |
| <input type="checkbox"/> | Function |
| <input type="checkbox"/> | สินค้าตรงตัวอย่าง |
| ผู้ทบทวน <u>P.SAWA</u> | |
| <u>31 / 7 / 68</u> | |



| | | | |
|-----------------|---------------------------|------------------|----------------------|
| Model | -ROMM_CONVECT_DLC80_50R_1 | | |
| Creator | SUTTHI.P | .BCP Name | INDEX_C3D_KITCHENPAE |
| Reviewer | | Order | O002529 |
| Approves | <i>P. SAWA</i> | Date | 09/06/2025 |



| | | | |
|-----------------|--------------------------|------------------|----------------------|
| Model | ROMM_CONVECT_DPLT_1100_1 | | |
| Creator | SUTTHI.P | .BCP Name | INDEX_C3D_KITCHENPAE |
| Reviewer | | Order | 0002674 |
| Approves | <i>P.SAWA</i> | Date | 29/07/2025 |

ROMM_CONVECT_DPLT_1100_1-1100X9X100

Colour

04.69=PB-E1 4'X8'T LAMINATE WILMIKA TEXT NO. W3125-16
04.691=ALVIC LUMAX-SPP/4'X10'X18MM.-BLANCO SUPPERMATT(LX8)

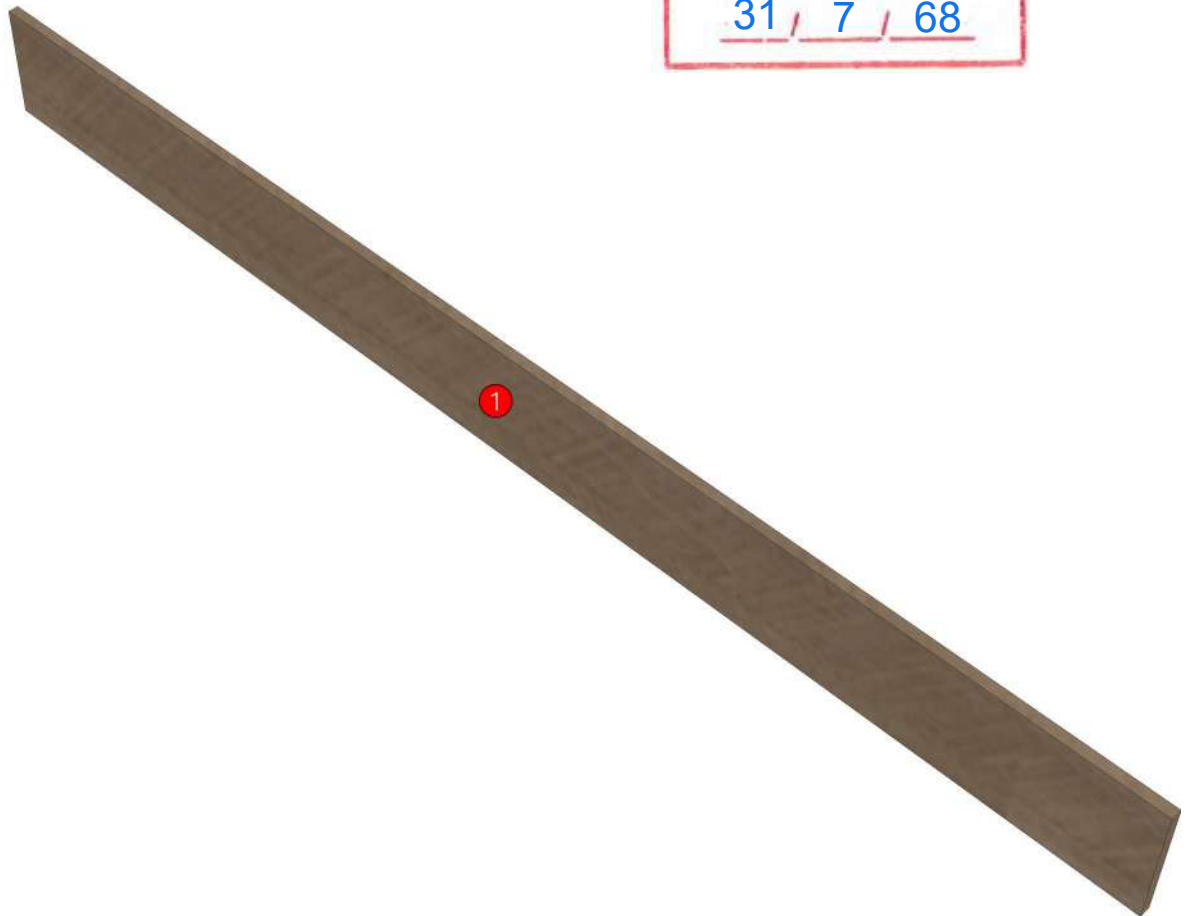
Edge

01.405=1 DWK3125AT
01.4051=1 WHITE 01016

K2R 160160436

K3R 160161323

| | |
|-------------------------------------|-------------------|
| R&D REVIEW | |
| <input checked="" type="checkbox"/> | DWG.Customer |
| <input type="checkbox"/> | Work Report |
| <input type="checkbox"/> | Function |
| <input type="checkbox"/> | สินค้าตรงตัวอย่าง |
| ผู้ทบทวน <u>P.SAWA</u> | |
| <u>31 / 7 / 68</u> | |



| | | | |
|-----------------|---------------------------|------------------|----------------------|
| Model | -ROMM_CONVECT_DPLT_1100_1 | | |
| Creator | SUTTHI.P | .BCP Name | INDEX_C3D_KITCHENPAE |
| Reviewer | | Order | 0002674 |
| Approves | <i>P. SAWA</i> | Date | 29/07/2025 |



| | | | |
|-----------------|--------------------------|------------------|----------------------|
| Model | ROMM_CONVECT_DPLT_660S_1 | | |
| Creator | SUTTHI.P | .BCP Name | INDEX_C3D_KITCHENPAE |
| Reviewer | | Order | O002646 |
| Approves | P. SAWA | Date | 10/07/2025 |

ROMM_CONVECT_DPLT_660S_1-660X9X100

Colour

04.69=PB-E1 4'X8'T LAMINATE WILMIKA TEXT NO. W3125-16
04.691=ALVIC LUMAX-SPP/4'X10'X18MM.-BLANCO SUPPERMATT(LX8)

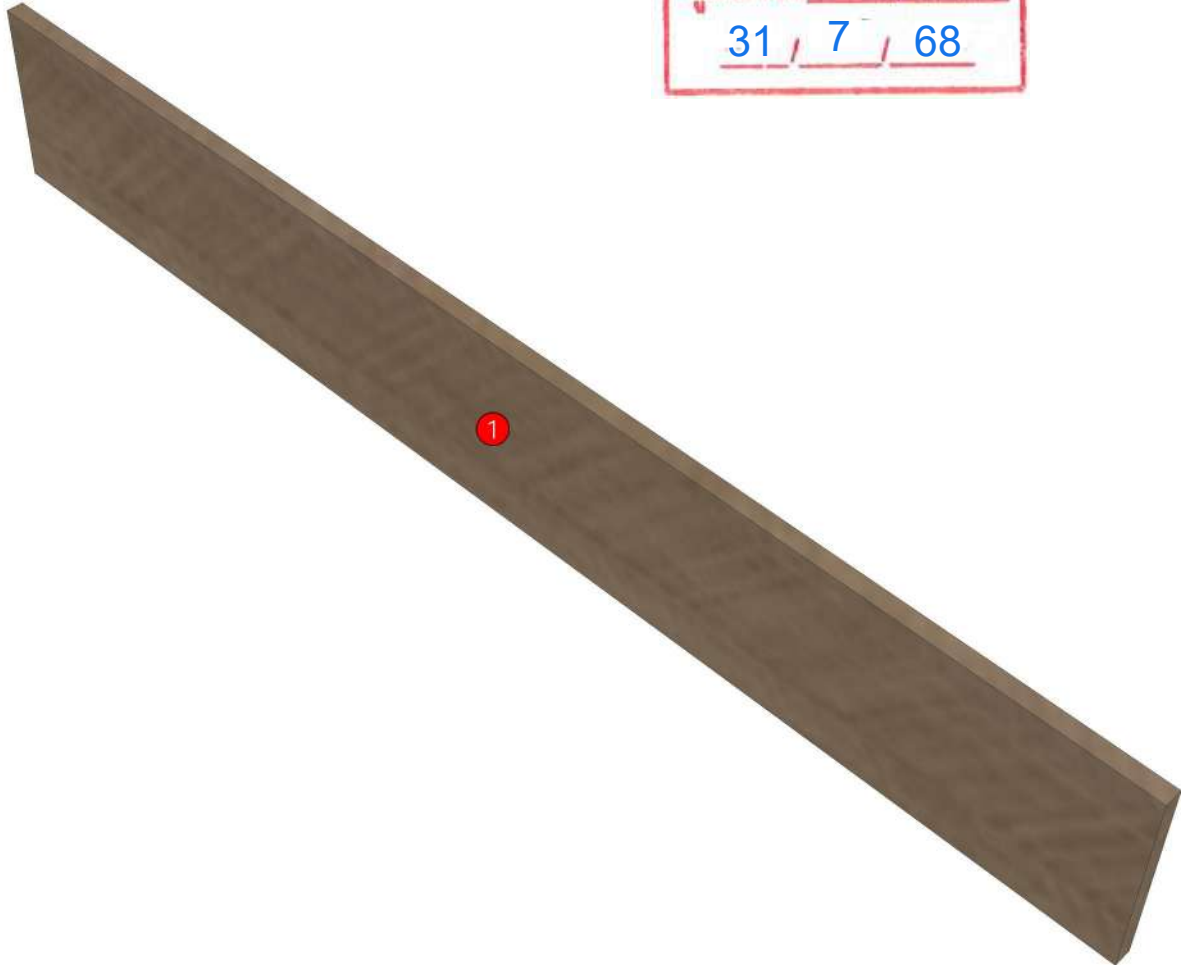
Edge

01.405=1 DWK3125AT
01.4051=1 WHITE 01016

K2R 160160436

K11L 160152691

| | |
|-------------------------------------|-------------------|
| R&D REVIEW | |
| <input checked="" type="checkbox"/> | DWG.Customer |
| <input type="checkbox"/> | Work Report |
| <input type="checkbox"/> | Function |
| <input type="checkbox"/> | สินค้าตรงตัวอย่าง |
| ผู้ทบทวน <u>P.SAWA</u> | |
| <u>31 / 7 / 68</u> | |



| | | | |
|-----------------|---------------------------|------------------|----------------------|
| Model | -ROMM_CONVECT_DPLT_660S_1 | | |
| Creator | SUTTHI.P | .BCP Name | INDEX_C3D_KITCHENPAE |
| Reviewer | | Order | 0002646 |
| Approves | <i>P. SAWA</i> | Date | 10/07/2025 |



| | | | |
|-----------------|-------------------------|------------------|----------------------|
| Model | ROMM_CONVECT_DPLT_900_1 | | |
| Creator | SUTTHI.P | .BCP Name | INDEX_C3D_KITCHENPAE |
| Reviewer | | Order | 0002648 |
| Approves | P.SAWA | Date | 10/07/2025 |

ROMM_CONVECT_DPLT_900_1-900X9X100

Colour

04.69=PB-E1 4'X8'T LAMINATE WILMIKA TEXT NO. W3125-16
04.691=ALVIC LUMAX-SPP/4'X10'X18MM.-BLANCO SUPPERMATT(LX8)

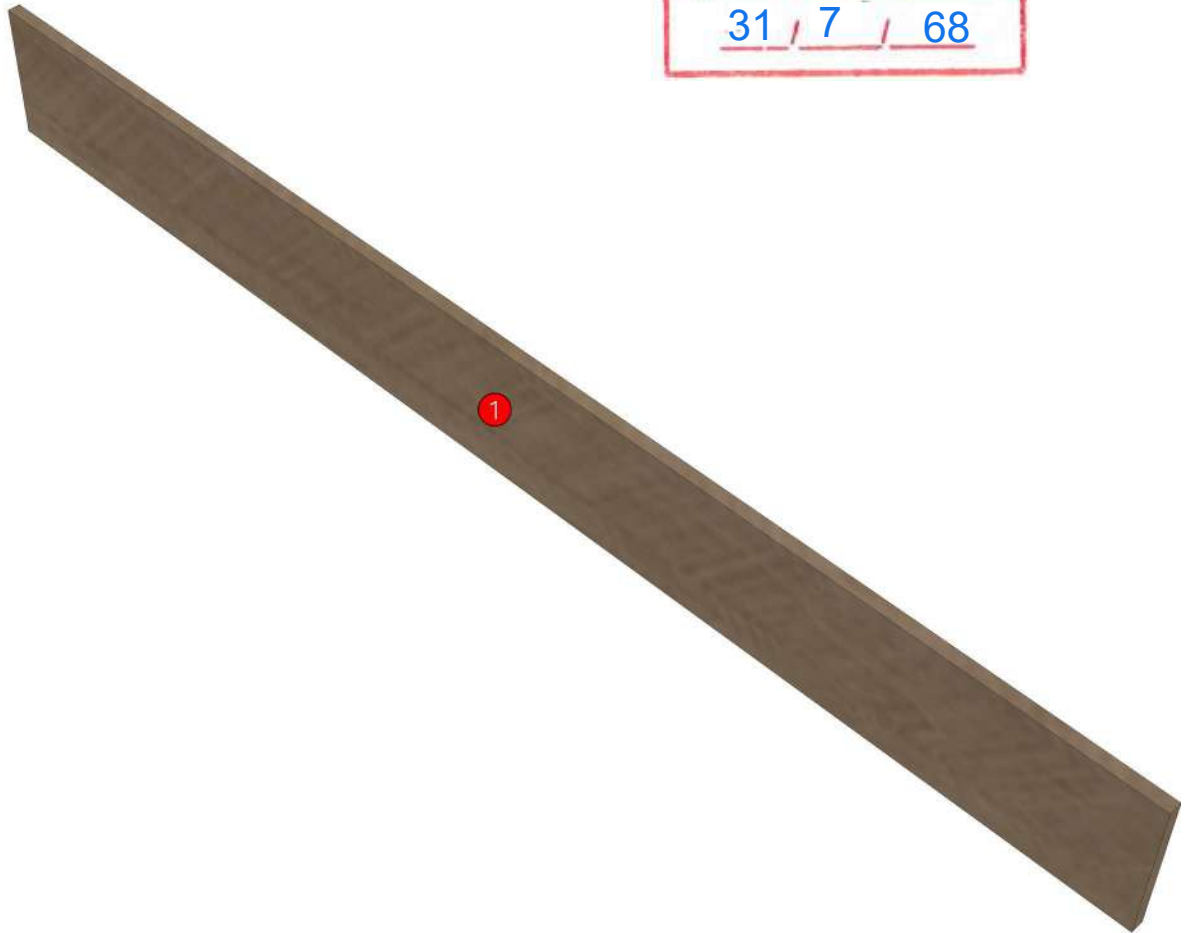
Edge

01.405=1 DWK3125AT
01.4051=1 WHITE 01016

K2R 160160436

K13L 160161368

| | |
|-------------------------------------|-------------------|
| R&D REVIEW | |
| <input checked="" type="checkbox"/> | DWG.Customer |
| <input type="checkbox"/> | Work Report |
| <input type="checkbox"/> | Function |
| <input type="checkbox"/> | สินค้าตรงตัวอย่าง |
| ผู้ทบทวน <u>P.SAWA</u> | |
| <u>31 / 7 / 68</u> | |



| | | | |
|-----------------|--------------------------|------------------|----------------------|
| Model | -ROMM_CONVECT_DPLT_900_1 | | |
| Creator | SUTTHI.P | .BCP Name | INDEX_C3D_KITCHENPAE |
| Reviewer | | Order | 0002648 |
| Approves | <i>P. SAWA</i> | Date | 10/07/2025 |



| | | | |
|-----------------|-------------------------|------------------|----------------------|
| Model | ROMM_CONVECT_DSH_1500_1 | | |
| Creator | SUTTHI.P | .BCP Name | INDEX_C3D_KITCHENPAE |
| Reviewer | | Order | O002536 |
| Approves | P.SAWA | Date | 10/06/2025 |

ROMM_CONVECT_DSH_1500_1-1500X350X25

Colour

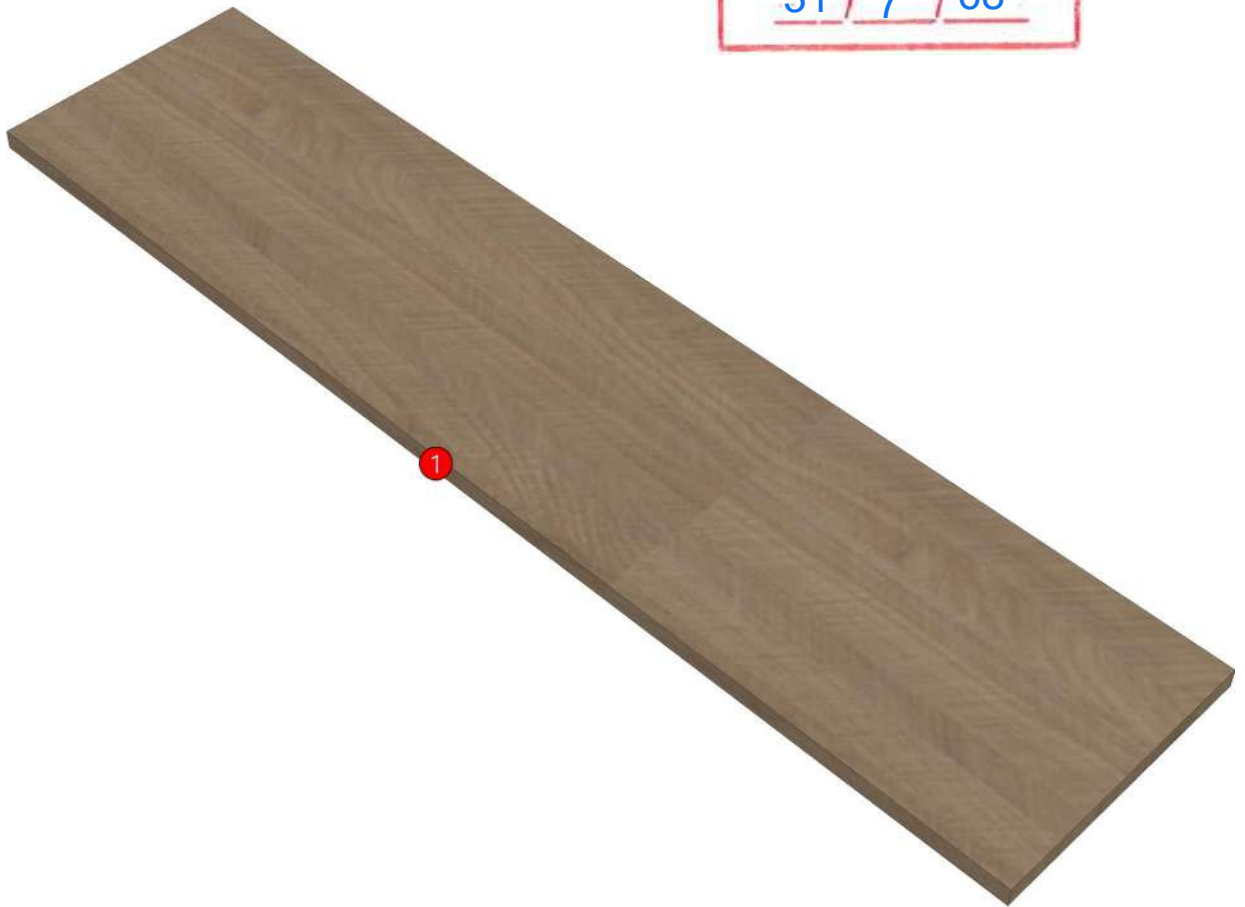
04.69=PB-E1 4'X8'T LAMINATE WILMIKA TEXT NO. W3125-16
04.691=ALVIC LUMAX-SPP/4'X10'X18MM.-BLANCO SUPPERMATT(LX8)

Edge

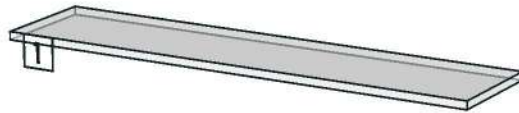
01.405=1 DWK3125AT
01.4051=1 WHITE 01016

K2R 160160436

| | |
|-------------------------------------|-------------------|
| R&D REVIEW | |
| <input checked="" type="checkbox"/> | DWG.Customer |
| <input type="checkbox"/> | Work Report |
| <input type="checkbox"/> | Function |
| <input type="checkbox"/> | สินค้าตรงตัวอย่าง |
| ผู้ทบทวน <u>P.SAWA</u> | |
| <u>31 / 7 / 68</u> | |



| | | | |
|-----------------|--------------------------|------------------|----------------------|
| Model | -ROMM_CONVECT_DSH_1500_1 | | |
| Creator | SUTTHI.P | .BCP Name | INDEX_C3D_KITCHENPAE |
| Reviewer | | Order | 0002536 |
| Approves | <i>P. SAWA</i> | Date | 10/06/2025 |



| | | | |
|-----------------|-----------------------|------------------|----------------------|
| Model | ROMM_CONVECT_DT70SL_1 | | |
| Creator | SUTTHI.P | .BCP Name | INDEX_C3D_KITCHENPAE |
| Reviewer | | Order | O002575 |
| Approves | <i>P.SAWA</i> | Date | 17/06/2025 |

ROMM_CONVECT_DT70SL_1-700X700X2550

Colour

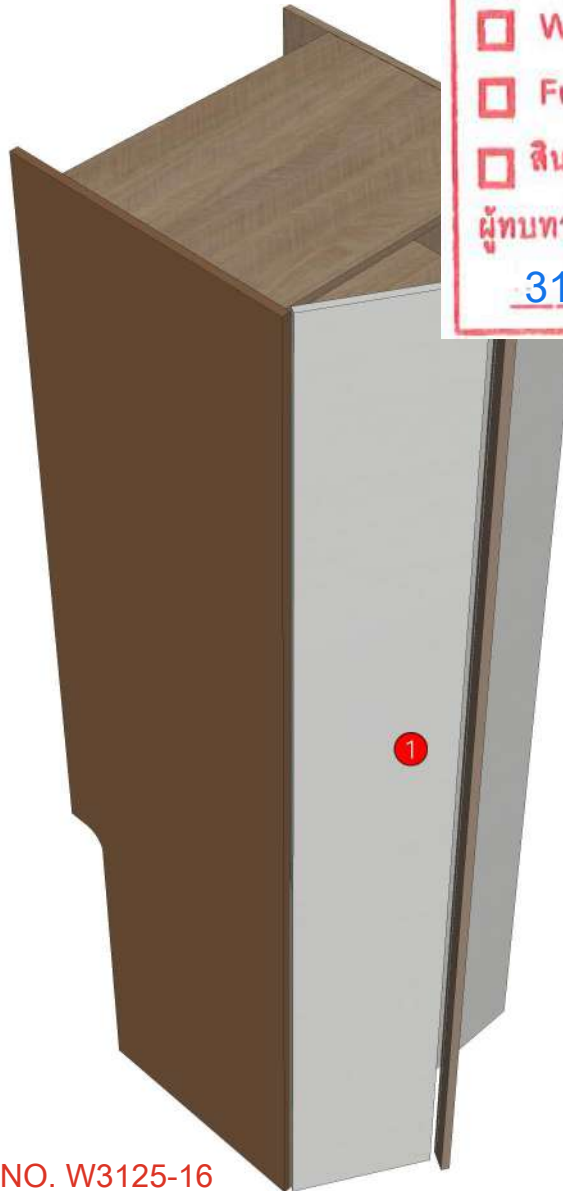
04.69=PB-E1 4'X8'T LAMINATE WILMIKA TEXT NO. W3125-16
04.691=ALVIC LUMAX-SPP/4'X10'X18MM.-BLANCO SUPPERMATT(LX8
04.692=PB-E1 4'X9'T. LAMINA WILMIKA TEXT NO. W3125-16
04.693=HPL WILMIKA NO. W3125-16/HPL.TD#9201 PL

Edge

01.405=1 DWK3125AT
01.4051=1 WHITE 01016

K2R 160160436

K11L 160152691



| | |
|-------------------------------------|-------------------|
| R&D REVIEW | |
| <input checked="" type="checkbox"/> | DWG.Customer |
| <input type="checkbox"/> | Work Report |
| <input type="checkbox"/> | Function |
| <input type="checkbox"/> | สินค้าตรงตัวอย่าง |
| ผู้ทบทวน <u>P.SAWA</u> | |
| <u>31 / 7 / 68</u> | |

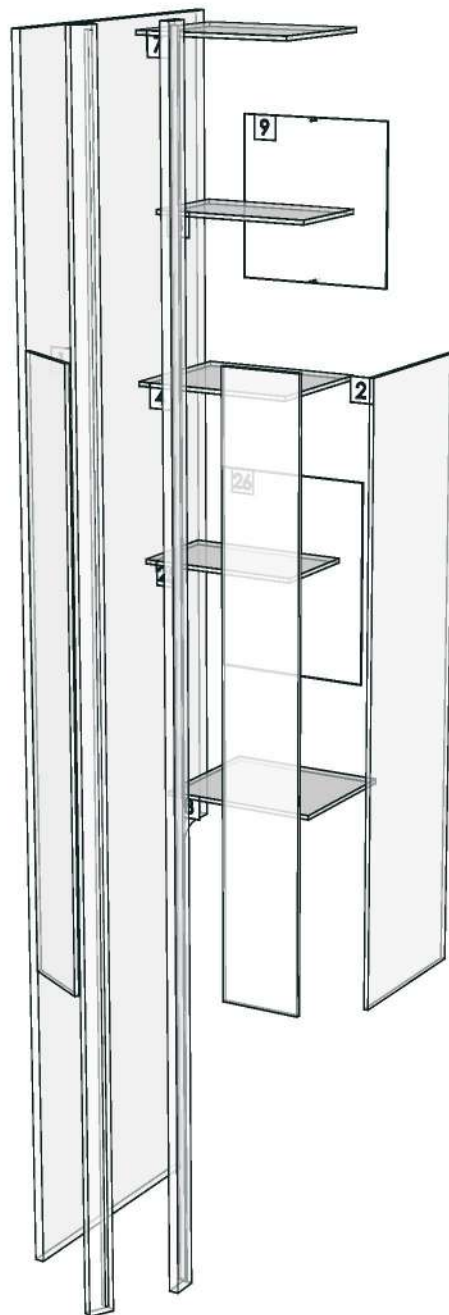
*** แผ่นหลังแบบถอดได้

*** ไซ้ไม้ PB-E1 4'X9'T.

18/2 LAMINA WILMIKA TEXT NO. W3125-16

ตัดชิ้นงานทั้งตัว เพื่อเจดไม้ให้เหมือนกัน

| | | | |
|-----------------|------------------------|------------------|----------------------|
| Model | -ROMM_CONVECT_DT70SL_1 | | |
| Creator | SUTTHI.P | .BCP Name | INDEX_C3D_KITCHENPAE |
| Reviewer | | Order | 0002575 |
| Approves | <i>P. SAWA</i> | Date | 17/06/2025 |



| | | | |
|-----------------|-------------------------|------------------|----------------------|
| Model | ROMM_CONVECT_DUT_1500_1 | | |
| Creator | SUTTHI.P | .BCP Name | INDEX_C3D_KITCHENPAE |
| Reviewer | | Order | O002651 |
| Approves | P. SAWA | Date | 10/07/2025 |

ROMM_CONVECT_DUT_1500_1-1500X16X50

Colour

04.69=LAMINATE HPL DWK3125AT EDL

04.691=ALVIC LUMAX-SPP/4'X10'X18MM.-BLANCO SUPPERMATT(LX8

05.01=ML WHITE VM1012 18/18

Edge

01.405=1 DWK3125AT

01.4051=1 WHITE 01016

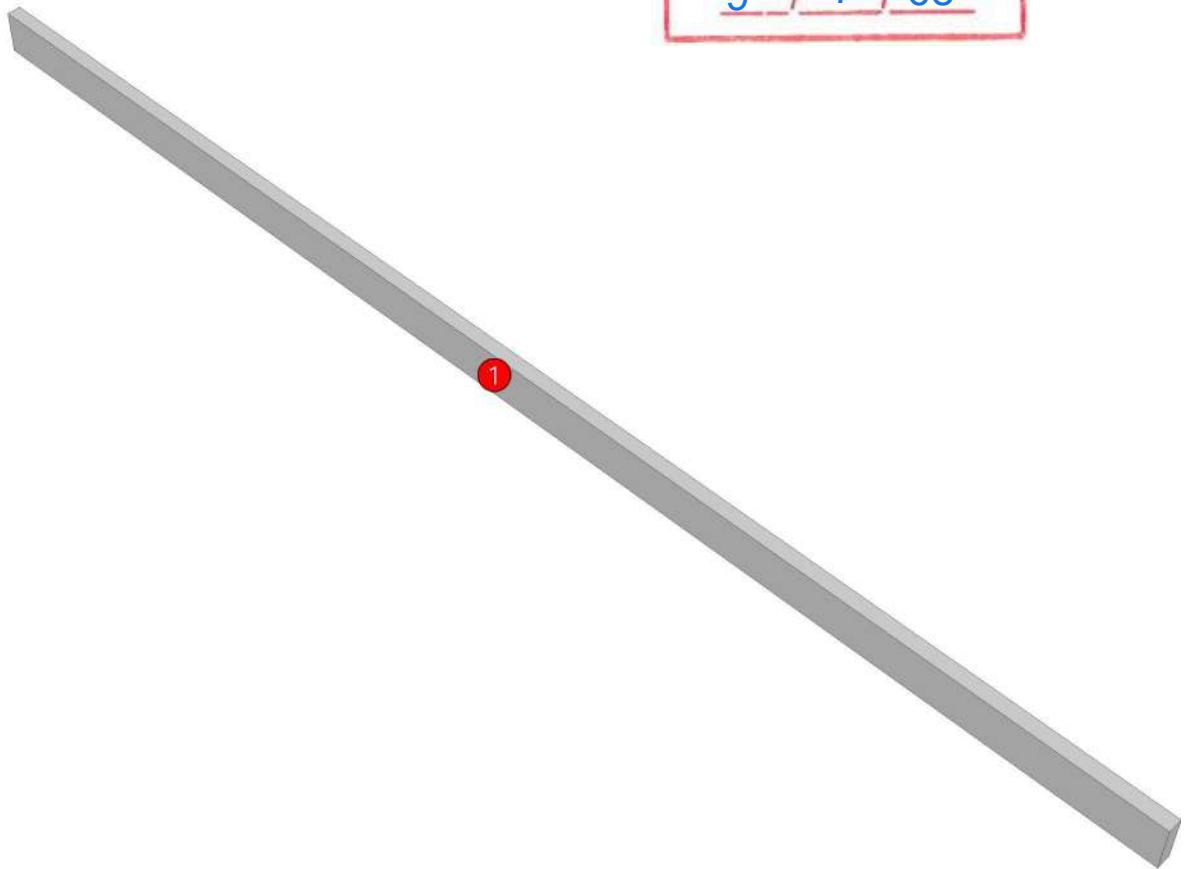
01.47=1 WHITE

K2R 160160436

K6L 160160455

K13L 160161368

| | |
|-------------------------------------|-------------------|
| R&D REVIEW | |
| <input checked="" type="checkbox"/> | DWG.Customer |
| <input type="checkbox"/> | Work Report |
| <input type="checkbox"/> | Function |
| <input type="checkbox"/> | สินค้าตรงตัวอย่าง |
| ผู้ทบทวน <u>P.SAWA</u> | |
| <u>9 / 7 / 68</u> | |



| | | | |
|-----------------|--------------------------|------------------|----------------------|
| Model | -ROMM_CONVECT_DUT_1500_1 | | |
| Creator | SUTTHI.P | .BCP Name | INDEX_C3D_KITCHENPAE |
| Reviewer | | Order | 0002651 |
| Approves | <i>P. SAWA</i> | Date | 10/07/2025 |



| | | | |
|-----------------|-------------------------|------------------|----------------------|
| Model | ROMM_CONVECT_LED_1240_1 | | |
| Creator | SUTTHI.P | .BCP Name | INDEX_C3D_KITCHENPAE |
| Reviewer | | Order | O002547 |
| Approves | P.SAWA | Date | 10/06/2025 |

ROMM_CONVECT_LED_1240_1-1240X330X18

Colour

04.69=LAMINATE HPL DWK3125AT EDL

04.691=ALVIC LUMAX-SPP/4'X10'X18MM.-BLANCO SUPPERMATT(LX8

Edge

01.405=1 DWK3125AT

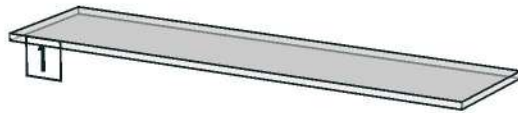
01.4051=1 WHITE 01016

K2R 160160436

| | |
|-------------------------------------|-------------------|
| R&D REVIEW | |
| <input checked="" type="checkbox"/> | DWG.Customer |
| <input type="checkbox"/> | Work Report |
| <input type="checkbox"/> | Function |
| <input type="checkbox"/> | สินค้าตรงตัวอย่าง |
| ผู้ทบทวน <u>P.SAWA</u> | |
| <u>11</u> / <u>7</u> / <u>68</u> | |



| | | | |
|-----------------|--------------------------|------------------|----------------------|
| Model | -ROMM_CONVECT_LED_1240_1 | | |
| Creator | SUTTHI.P | .BCP Name | INDEX_C3D_KITCHENPAE |
| Reviewer | | Order | 0002547 |
| Approves | <i>P. SAWA</i> | Date | 10/06/2025 |



| | | | |
|-----------------|------------------------|------------------|----------------------|
| Model | ROMM_CONVECT_LED_900_1 | | |
| Creator | SUTTHI.P | .BCP Name | INDEX_C3D_KITCHENPAE |
| Reviewer | | Order | O002560 |
| Approves | <i>P.SAWA</i> | Date | 10/06/2025 |

ROMM_CONVECT_LED_900_1-900X330X18

Colour

04.69=LAMINATE HPL DWK3125AT EDL

04.691=ALVIC LUMAX-SPP/4'X10'X18MM.-BLANCO SUPPERMATT(LX8

Edge

01.405=1 DWK3125AT

01.4051=1 WHITE 01016

K2R 160160436

| | |
|-------------------------------------|-------------------|
| R&D REVIEW | |
| <input checked="" type="checkbox"/> | DWG.Customer |
| <input type="checkbox"/> | Work Report |
| <input type="checkbox"/> | Function |
| <input type="checkbox"/> | สินค้าตรงตัวอย่าง |
| ผู้ทบทวน <u>P.SAWA</u> | |
| <u>11 / 7 / 68</u> | |



| | | | |
|-----------------|-------------------------|------------------|----------------------|
| Model | -ROMM_CONVECT_LED_900_1 | | |
| Creator | SUTTHI.P | .BCP Name | INDEX_C3D_KITCHENPAE |
| Reviewer | | Order | 0002560 |
| Approves | <i>P. SAWA</i> | Date | 10/06/2025 |

