

| | | | |
|-----------------|-----------------|------------------|--------------------|
| Model | CHIWATHAI_DBD20 | | |
| Creator | PASATHORN | .BCP Name | INDEX_C3D_KITCHEN2 |
| Reviewer | | Order | I003970 |
| Approves | P.SAWAI | Date | 27/02/2025 |

CHIWATHAI_DBD20-200X570X838

Colour

20.110 ML.MD206 BEIGE (PEARL)
20.111 ML.MD681 COLUMBUS (EVELYN)

Edge

01.319 1 MFI599 PEARL
01.444 1 MD681



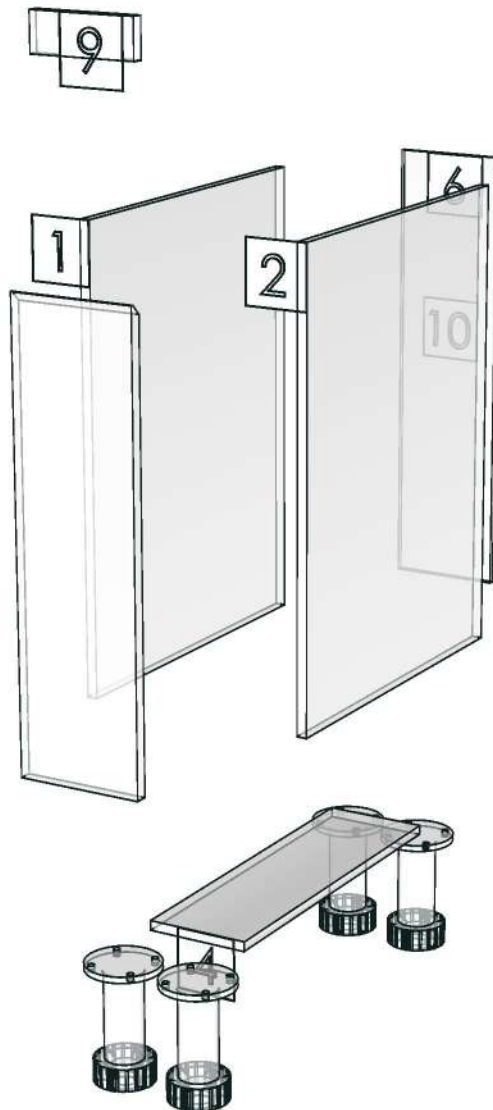
| | |
|-------------------------------------|-------------------|
| R&D REVIEW | |
| <input checked="" type="checkbox"/> | DWG.Customer |
| <input checked="" type="checkbox"/> | Work Report |
| <input type="checkbox"/> | Function |
| <input type="checkbox"/> | สินค้าตรงตัวอย่าง |
| ผู้ทบทวน <u>P.SAWAI</u> | |
| <u>27/02/2025</u> | |

K302L-160157268

K302R-160159893



| | | | |
|-----------------|------------------|------------------|--------------------|
| Model | -CHIWATHAI_DBD20 | | |
| Creator | | .BCP Name | INDEX_C3D_KITCHEN2 |
| Reviewer | | Order | I003970 |
| Approves | | Date | |



| | | | |
|-----------------|-------------------|------------------|--------------------|
| Model | CHIWATHAI_DBH602L | | |
| Creator | PASATHORN | .BCP Name | INDEX_C3D_KITCHEN2 |
| Reviewer | | Order | I003973 |
| Approves | P.SAWAI | Date | 08/05/68 |

CHIWATHAI_DBH602L-600X570X838

Colour

20.110 ML.MD206 BEIGE (PEARL)_
20.111 ML.MD681 COLUMBUS (EVELYN)_

-
-
-
K300R-160159878

K301R-160159885

K302R-160159893

Edge

01.319 1 MFI599 PEARL _ED
01.444 1 MD681 _

-
-
-



R&D REVIEW

- DWG.Customer
- Work Report
- Function
- สินค้าตรงตัวอย่าง

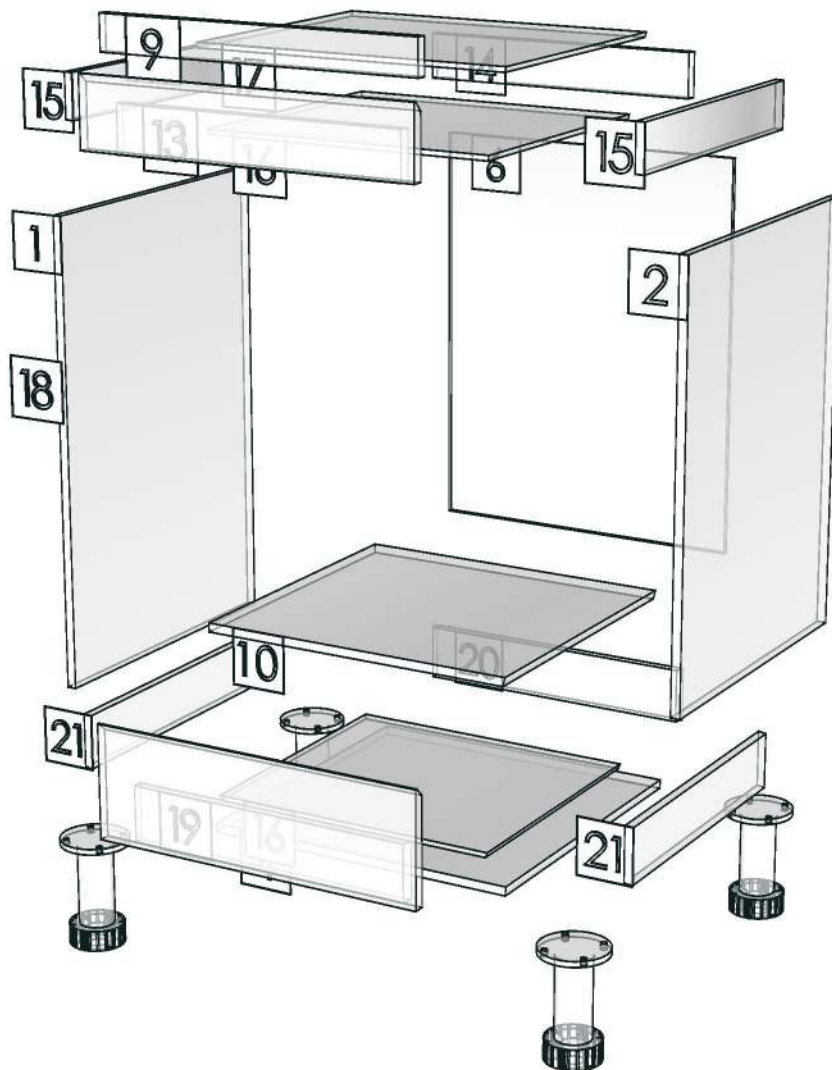
ผู้ทบทวน P.SAWAI

08/05/68



| | | | |
|-----------------|--------------------|------------------|--------------------|
| Model | -CHIWATHAI_DBH602L | | |
| Creator | | .BCP Name | INDEX_C3D_KITCHEN2 |
| Reviewer | | Order | I003973 |
| Approves | P.SAWAI | Date | |

12



| | | | |
|-----------------|-------------------|------------------|--------------------|
| Model | CHIWATHAI_DBS60RR | | |
| Creator | PASATHORN | .BCP Name | INDEX_C3D_KITCHEN2 |
| Reviewer | | Order | I003972 |
| Approves | P.SAWAI | Date | 27/02/2025 |

CHIWATHAI_DBS60RR-600X570X838

Colour

20.110 ML.MD206 BEIGE (PEARL)
20.111 ML.MD681 COLUMBUS (EVELYN)

Edge

01.319 1 MFI599 PEARL
01.444 1 MD681



| | |
|-------------------------------------|-------------------|
| R&D REVIEW | |
| <input checked="" type="checkbox"/> | DWG.Customer |
| <input checked="" type="checkbox"/> | Work Report |
| <input type="checkbox"/> | Function |
| <input type="checkbox"/> | สินค้าตรงตัวอย่าง |
| ผู้ทบทวน <u>P.SAWAI</u> | |
| <u>27/2/25</u> | |

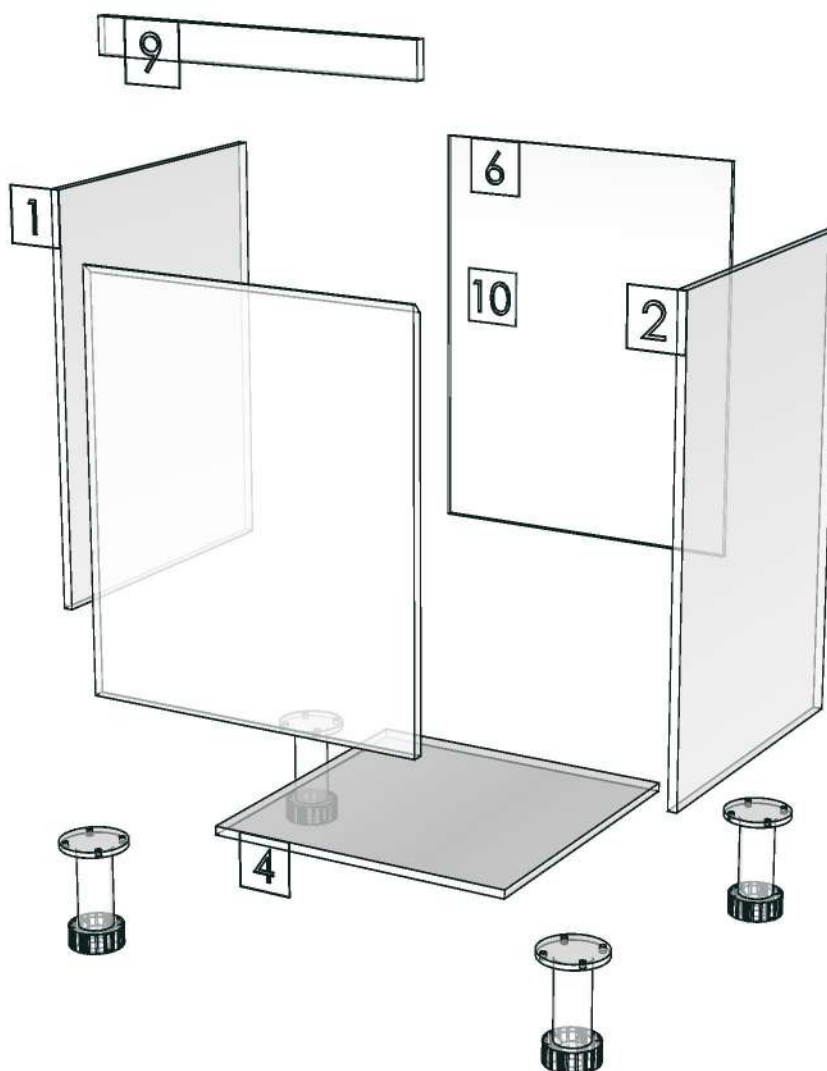
K300R-160159878

K301R-160159885

K302R-160159893



| | | | |
|-----------------|--------------------|------------------|--------------------|
| Model | -CHIWATHAI_DBS60RR | | |
| Creator | | .BCP Name | INDEX_C3D_KITCHEN2 |
| Reviewer | | Order | I003972 |
| Approves | | Date | |



| | | | |
|-----------------|---------------|------------------|--------------------|
| Model | CHIWATHAI_DFB | | |
| Creator | PASATHORN | .BCP Name | INDEX_C3D_KITCHEN2 |
| Reviewer | | Order | I003965 |
| Approves | P.SAWAI | Date | 08/05/68 |

CHIWATHAI_DFB-150X16X838

Colour

20.111 ML.MD681 COLUMBUS (EVELYN)_

-
-
-
-

Edge

01.444 1 MD681 _ED

-
-
-
-



R&D REVIEW

- DWG.Customer
- Work Report
- Function
- สิ้นค้าตรงตัวอย่าง

ผู้ทบทวน P.SAWAI

08/05/68

K301L-160157260

K301R-160159885

K302L-160157268

K302R-160159893



| | | | |
|-----------------|---------------|------------------|--------------------|
| Model | CHIWATHAI_DFB | | |
| Creator | PASATHORN | .BCP Name | INDEX_C3D_KITCHEN2 |
| Reviewer | | Order | I003965 |
| Approves | P.SAWAI | Date | 08/05/68 |

| No. | Article No. | Description | Mat | Dimension | Cutting Size | Typepology | Skin |
|-----|-----------------------------------|---------------------------------|-------|--------------------------|------------------|-------------------------------|------|
| 0 | CHIWATHAI_DFB CHIWATHAI_DFB-31 | CHIWATHAI_DFB Front DF_ED-SP | PB-SP | 150x838x16 16x150x838 | 16X149X836;L1:W2 | 186000_STR=20.111_EDG=MD681-1 | 2 |



| | | | |
|-----------------|---------------|------------------|--------------------|
| Model | CHIWATHAI_DFL | | |
| Creator | PASATHORN | .BCP Name | INDEX_C3D_KITCHEN2 |
| Reviewer | | Order | I003966 |
| Approves | | Date | 27/02/2025 |

CHIWATHAI_DFL-150X16X800

Colour

20.110 ML.MD206 BEIGE (PEARL)_

-
-
-
-

Edge

01.319 1 MFI599 PEARL _ED

-
-
-
-



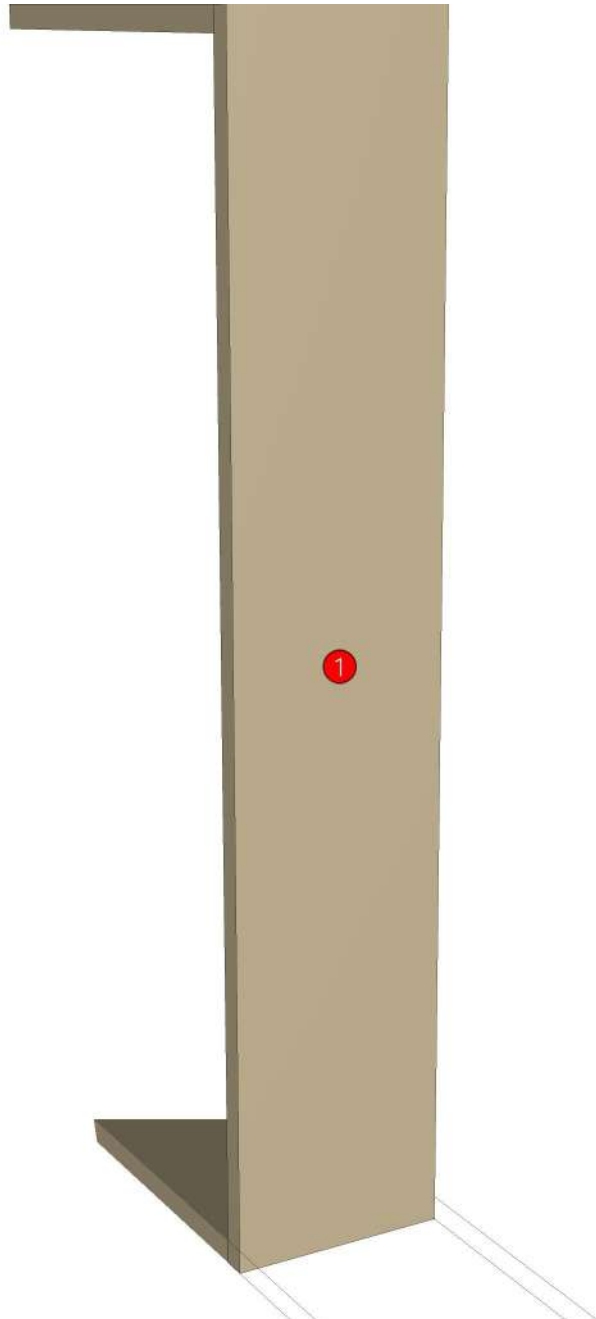
| | |
|-------------------------------------|-------------------|
| R&D REVIEW | |
| <input checked="" type="checkbox"/> | DWG.Customer |
| <input checked="" type="checkbox"/> | Work Report |
| <input type="checkbox"/> | Function |
| <input type="checkbox"/> | สินค้าตรงตัวอย่าง |
| ผู้ทบทวน _____ | |

K301L-160157260

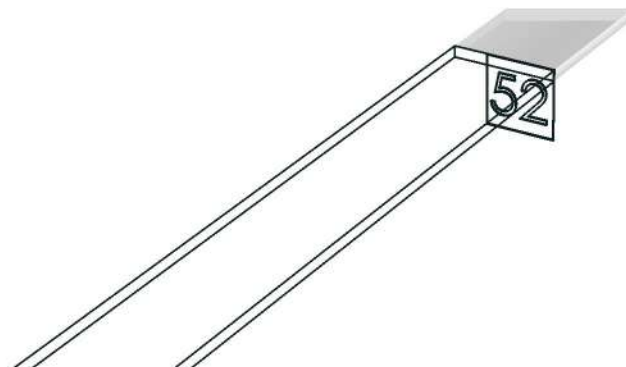
K301R-160159885

K302L-160157268

K302R-160159893



| | | | |
|-----------------|----------------|------------------|--------------------|
| Model | -CHIWATHAI_DFL | | |
| Creator | | .BCP Name | INDEX_C3D_KITCHEN2 |
| Reviewer | | Order | I003966 |
| Approves | | Date | |



| | | | |
|-----------------|---------------------|------------------|--------------------|
| Model | CHIWATHAI_DF_CL1600 | | |
| Creator | PASATHORN | .BCP Name | INDEX_C3D_KITCHEN2 |
| Reviewer | | Order | I003964 |
| Approves | | Date | 27/02/2025 |

CHIWATHAI_DF_CL1600-1600X16X150

Colour

20.110 ML.MD206 BEIGE (PEARL)_

-
-
-
-

Edge

01.319 1 MFI599 PEARL _ED

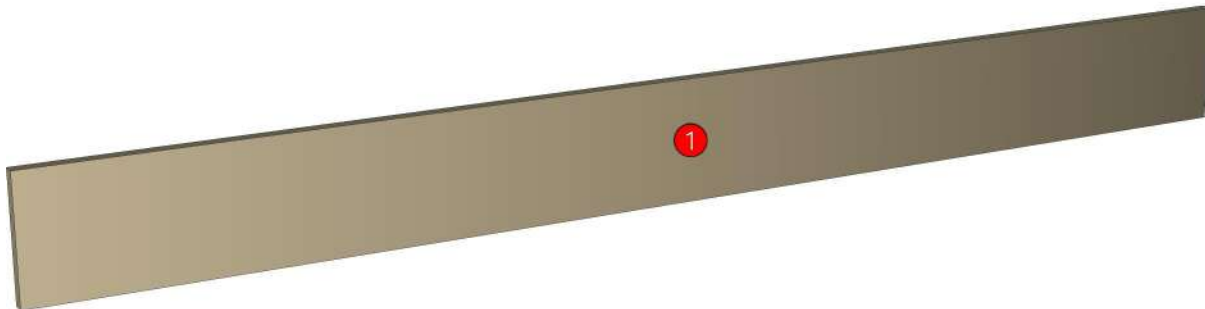
-
-
-
-



| | |
|-------------------------------------|-------------------|
| R&D REVIEW | |
| <input checked="" type="checkbox"/> | DWG.Customer |
| <input checked="" type="checkbox"/> | Work Report |
| <input type="checkbox"/> | Function |
| <input type="checkbox"/> | สินค้าตรงตัวอย่าง |
| ผู้ทบทวน _____ | |
| _____ | |

K302L-160157268

K302R-160159893



| | | | |
|-----------------|---------------------|------------------|--------------------|
| Model | CHIWATHAI_DF_CL1600 | | |
| Creator | PASATHORN | .BCP Name | INDEX_C3D_KITCHEN2 |
| Reviewer | | Order | I003964 |
| Approves | | Date | 27/02/2025 |

| No. | Article No. | Description | Mat | Dimension | Cutting Size | Typepology | Skin |
|-----|---|-----------------------------------|-------|----------------------------|-------------------|--------------------------------------|------|
| 0 | CHIWATHAI_DF_1600 CHIWATHAI_DF_CL1600-01 | CHIWATHAI_DF_CL1600 DFCL_ED-SP | PB-SP | 1600x150x16 16x150x1600 | 16X149X1600;L1:W0 | 183000_STR=20.110_EDG=MFI599 PEARL-1 | 2 |



| | | | |
|-----------------|------------------|------------------|--------------------|
| Model | CHIWATHAI_DL60HL | | |
| Creator | PASATHORN | .BCP Name | INDEX_C3D_KITCHEN2 |
| Reviewer | | Order | I003975 |
| Approves | | Date | 28/02/2025 |

CHIWATHAI_DL60HL-600X300X760

Colour

20.110 ML.MD206 BEIGE (PEARL)_

-

-

-

-

K300R-160159878

K301R-160159885

K302R-160159893

Edge

01.319 1 MFI599 PEARL _ED

-

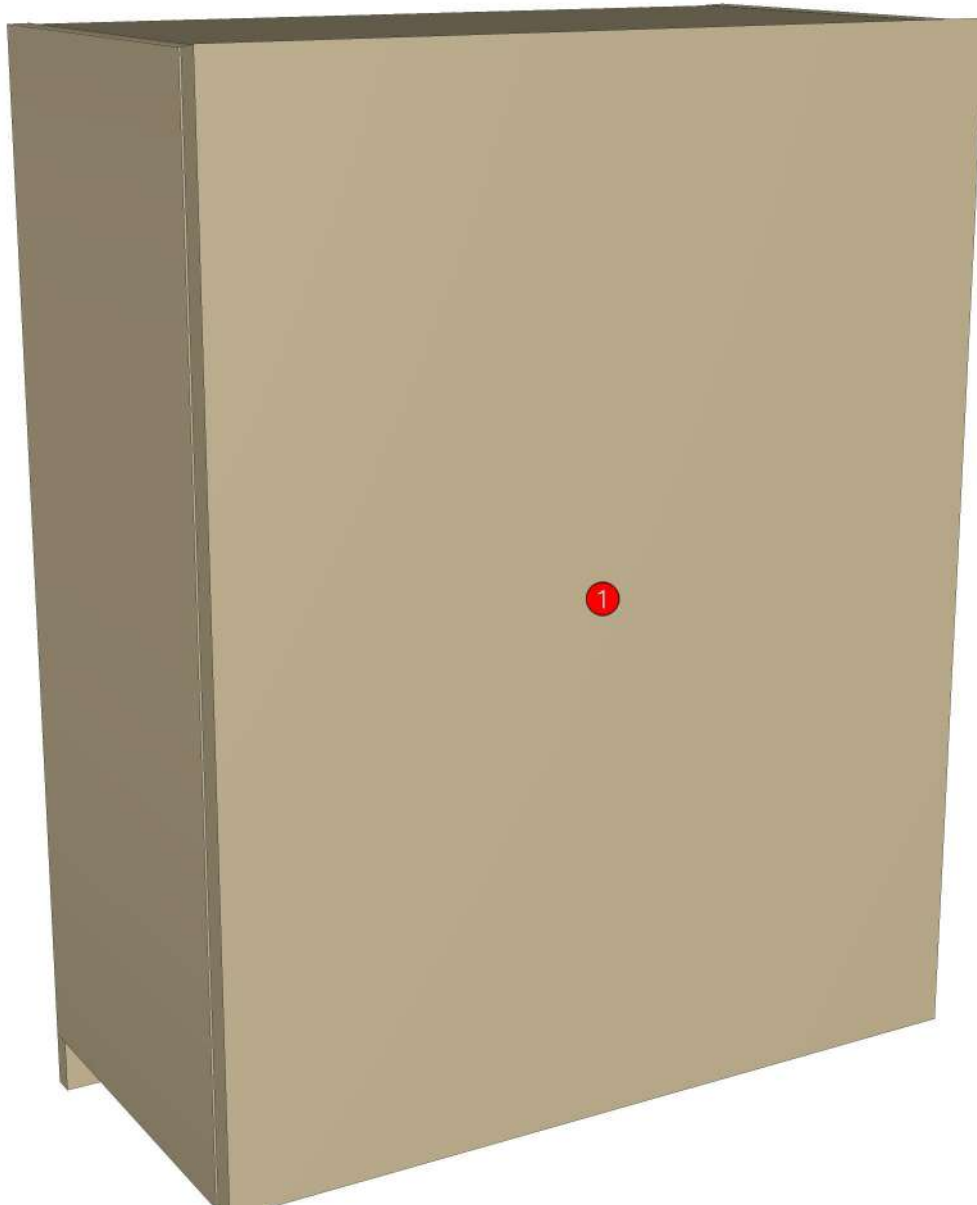
-

-

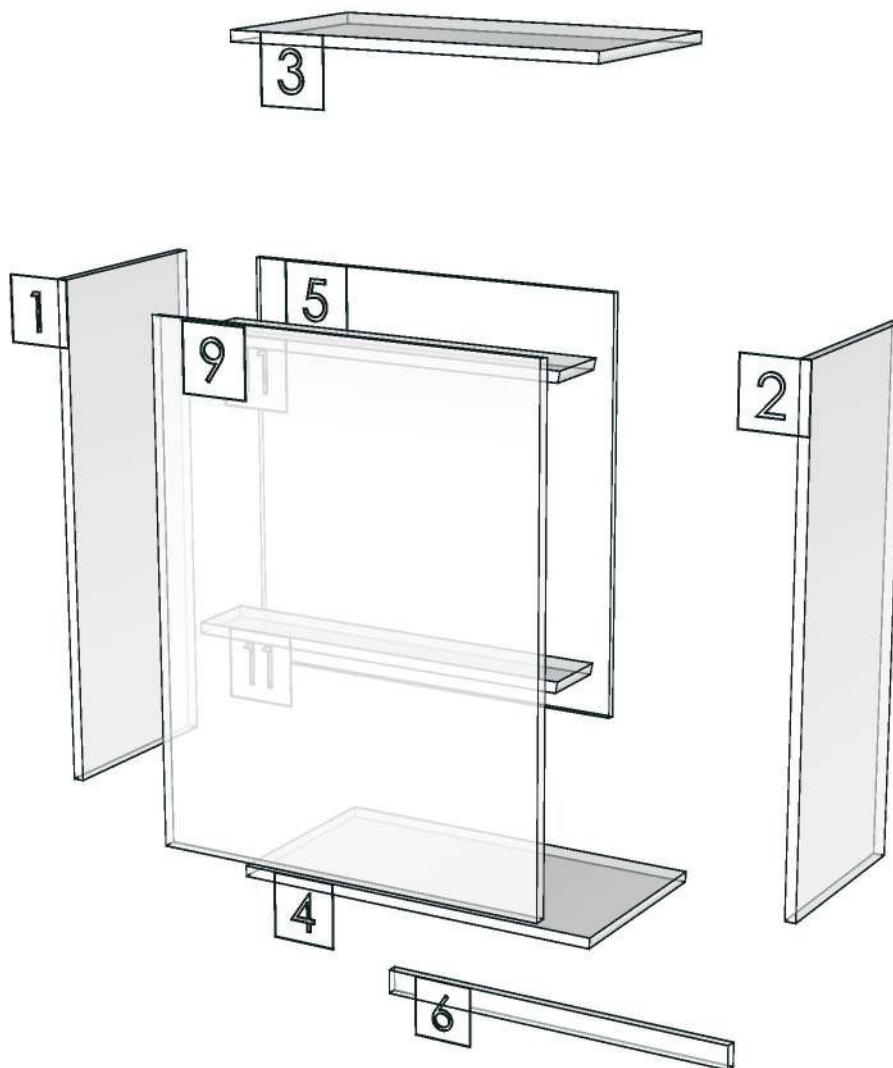
-



| | |
|-------------------------------------|-------------------|
| R&D REVIEW | |
| <input checked="" type="checkbox"/> | DWG.Customer |
| <input checked="" type="checkbox"/> | Work Report |
| <input type="checkbox"/> | Function |
| <input type="checkbox"/> | สินค้าตรงตัวอย่าง |
| ผู้ทบทวน _____ | |
| _____ | |



| | | | |
|-----------------|-------------------|------------------|--------------------|
| Model | -CHIWATHAI_DL60HL | | |
| Creator | | .BCP Name | INDEX_C3D_KITCHEN2 |
| Reviewer | | Order | I003975 |
| Approves | | Date | |



| | | | |
|-----------------|-------------------|------------------|--------------------|
| Model | CHIWATHAI_DLO80RS | | |
| Creator | PASATHORN | .BCP Name | INDEX_C3D_KITCHEN2 |
| Reviewer | | Order | I003968 |
| Approves | | Date | 27/02/2025 |

CHIWATHAI_DLO80RS-800X300X800

Colour

20.110 ML.MD206 BEIGE (PEARL)_

-
-
-
-

Edge

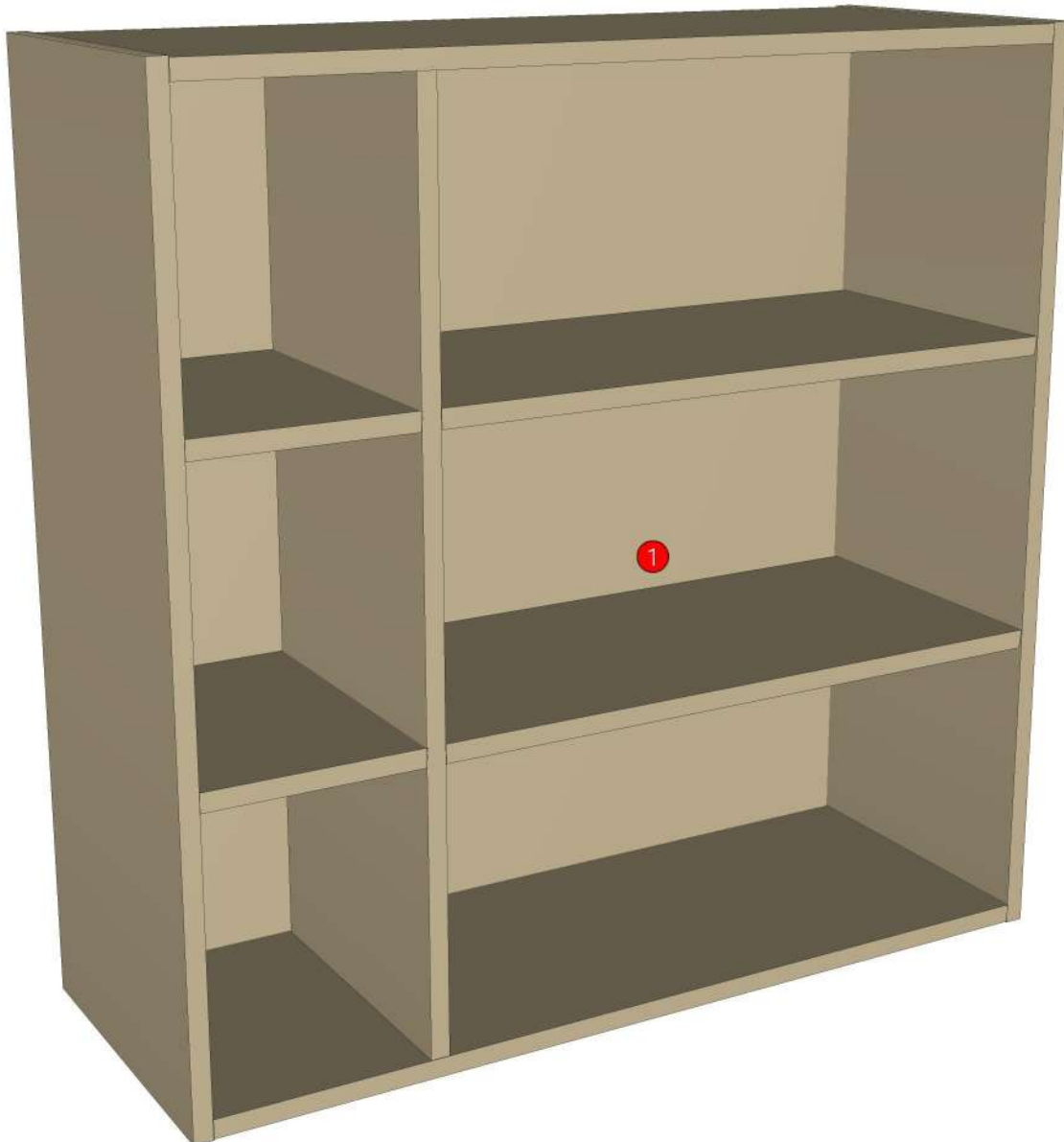
01.319 1 MFI599 PEARL _ED

-
-
-
-

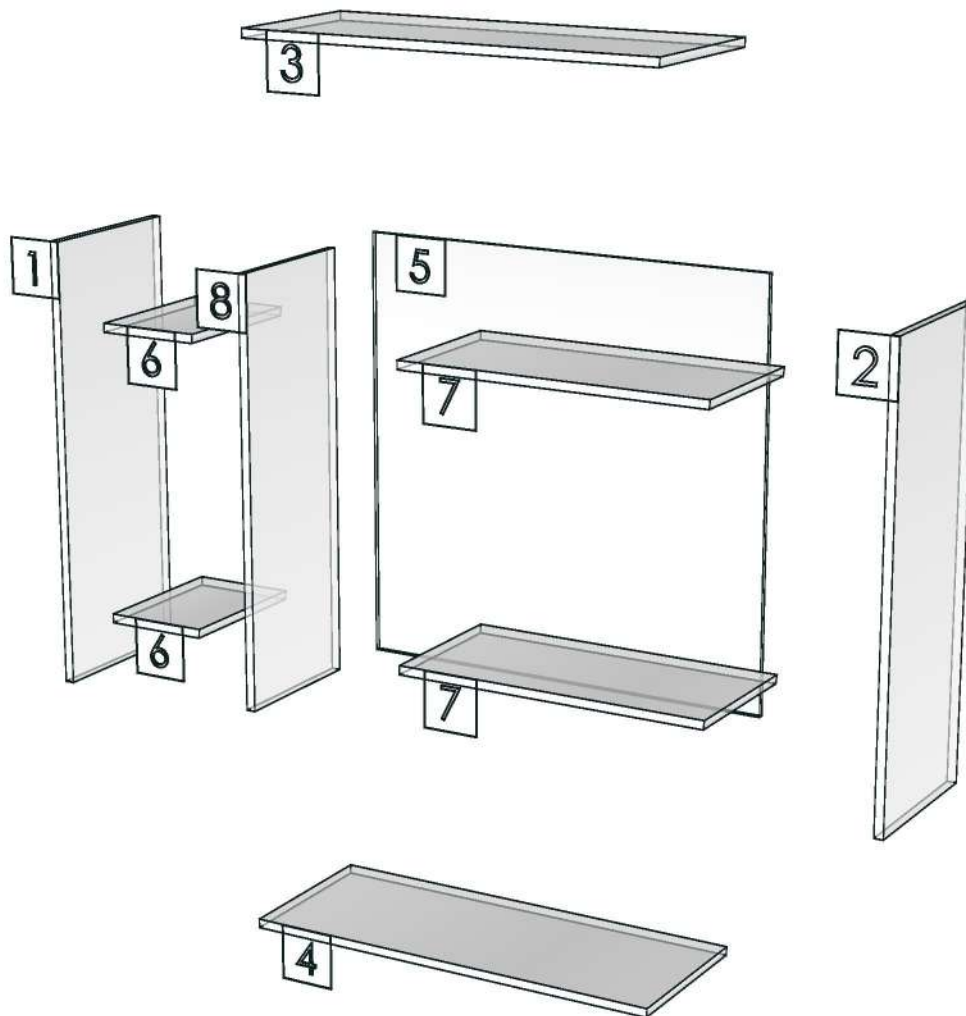


| | |
|-------------------------------------|-------------------|
| R&D REVIEW | |
| <input checked="" type="checkbox"/> | DWG.Customer |
| <input checked="" type="checkbox"/> | Work Report |
| <input type="checkbox"/> | Function |
| <input type="checkbox"/> | สินค้าตรงตัวอย่าง |
| ผู้ทบทวน _____ | |
| _____ | |

K302R-160159893



| | | | |
|-----------------|--------------------|------------------|--------------------|
| Model | -CHIWATHAI_DLO80RS | | |
| Creator | | .BCP Name | INDEX_C3D_KITCHEN2 |
| Reviewer | | Order | I003968 |
| Approves | | Date | |



| | | | |
|-----------------|---------------------|------------------|--------------------|
| Model | CHIWATHAI_D_PLT1368 | | |
| Creator | PASATHORN | .BCP Name | INDEX_C3D_KITCHEN2 |
| Reviewer | | Order | I003960 |
| Approves | | Date | 27/02/2025 |

CHIWATHAI_D_PLT1368-1368X9X100

Colour

20.110 ML.MD206 BEIGE (PEARL)_

-
-
-
-

Edge

01.319 1 MFI599 PEARL _ED

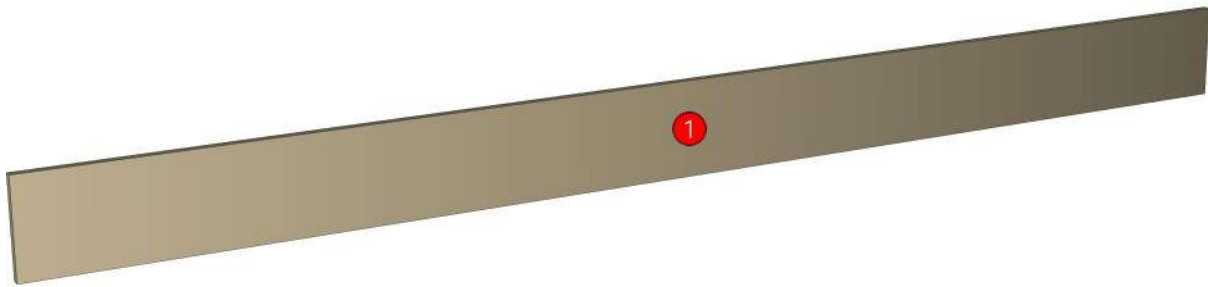
-
-
-
-



| | |
|-------------------------------------|-------------------|
| R&D REVIEW | |
| <input checked="" type="checkbox"/> | DWG.Customer |
| <input checked="" type="checkbox"/> | Work Report |
| <input type="checkbox"/> | Function |
| <input type="checkbox"/> | สินค้าตรงตัวอย่าง |
| ผู้ทบทวน _____ | |
| _____ | |

K302L-160157268

K302R-160159893



| | | | |
|-----------------|---------------------|------------------|--------------------|
| Model | CHIWATHAI_D_PLT1368 | | |
| Creator | PASATHORN | .BCP Name | INDEX_C3D_KITCHEN2 |
| Reviewer | | Order | I003960 |
| Approves | | Date | 27/02/2025 |

| No. | Article No. | Description | Mat | Dimension | Cutting Size | Typepology | Skin |
|-----|---|--------------------------------------|-------|--------------------------|-----------------|--------------------------------------|------|
| 0 | CHIWATHAI_D_PLT1368 CHIWATHAI_D_PLT1368-01 | CHIWATHAI_D_PLT1368 D_PLINT_ED-SP | PB-SP | 1368x100x9 9x100x1368 | 9X98X1366;L2:W2 | 183000_STR=20.110_EDG=MFI599 PEARL-1 | 2 |