

Model	CHIWATHAI_DBH602L		
Creator	PASATHORN	.BCP Name	INDEX_C3D_KITCHEN2
Reviewer		Order	I003973
Approves	P.SAWAI	Date	08/05/68

CHIWATHAI_DBH602L-600X570X838

Colour

20.110 ML.MD206 BEIGE (PEARL)_
20.111 ML.MD681 COLUMBUS (EVELYN)_

-
-
-
K300R-160159878

K301R-160159885

K302R-160159893

Edge

01.319 1 MFI599 PEARL _ED
01.444 1 MD681 _

-
-
-



R&D REVIEW

- DWG.Customer
- Work Report
- Function
- สินค้าตรงตัวอย่าง

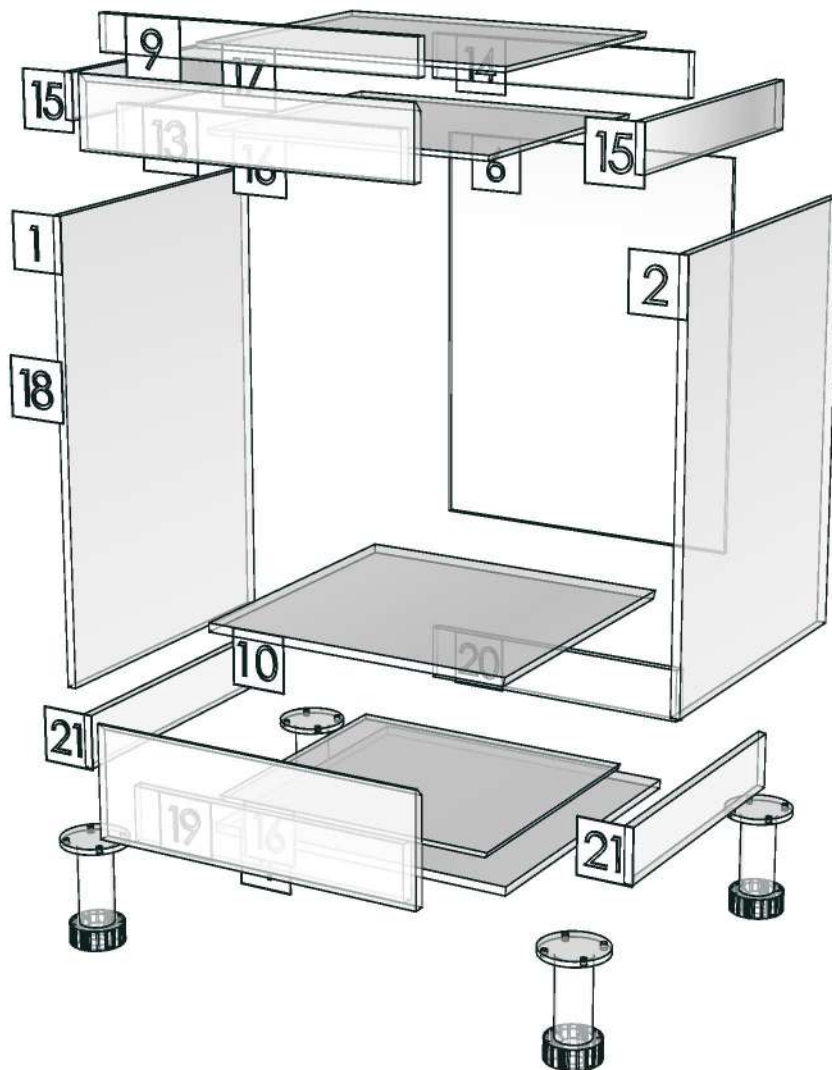
ผู้ทบทวน P.SAWAI

08/05/68



Model	-CHIWATHAI_DBH602L		
Creator		.BCP Name	INDEX_C3D_KITCHEN2
Reviewer		Order	I003973
Approves	P.SAWAI	Date	

12



Model	CHIWATHAI_DBS60RR		
Creator	PASATHORN	.BCP Name	INDEX_C3D_KITCHEN2
Reviewer		Order	I003972
Approves	P.SAWAI	Date	27/02/2025

CHIWATHAI_DBS60RR-600X570X838

Colour

20.110 ML.MD206 BEIGE (PEARL)
20.111 ML.MD681 COLUMBUS (EVELYN)

Edge

01.319 1 MFI599 PEARL
01.444 1 MD681



R&D REVIEW	
<input checked="" type="checkbox"/>	DWG.Customer
<input checked="" type="checkbox"/>	Work Report
<input type="checkbox"/>	Function
<input type="checkbox"/>	สินค้าตรงตัวอย่าง
ผู้ทบทวน P.SAWAI	
27/2/25	

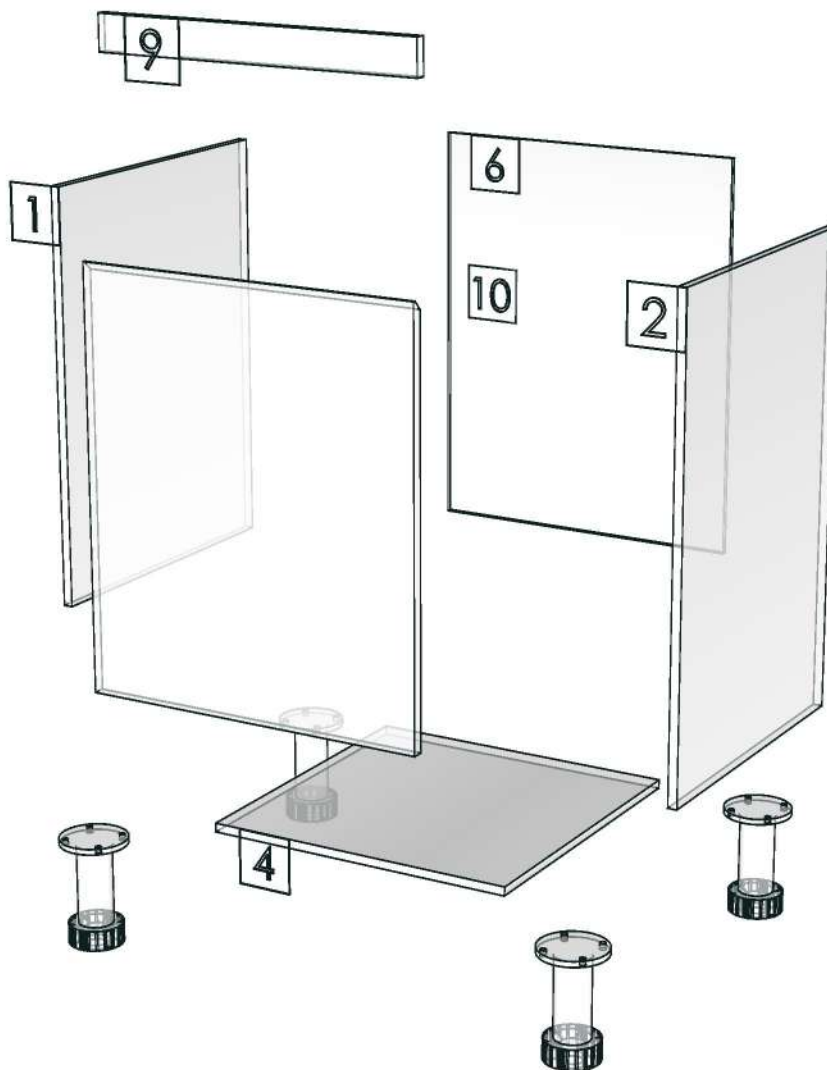
K300R-160159878

K301R-160159885

K302R-160159893



Model	-CHIWATHAI_DBS60RR		
Creator		.BCP Name	INDEX_C3D_KITCHEN2
Reviewer		Order	I003972
Approves		Date	



Model	CHIWATHAI_DFB		
Creator	PASATHORN	.BCP Name	INDEX_C3D_KITCHEN2
Reviewer		Order	I003965
Approves	P.SAWAI	Date	08/05/68

CHIWATHAI_DFB-150X16X838

Colour

20.111 ML.MD681 COLUMBUS (EVELYN)_

-
-
-
-

Edge

01.444 1 MD681 _ED

-
-
-
-



R&D REVIEW

- DWG.Customer
- Work Report
- Function
- สินค้าตรงตัวอย่าง

ผู้ทบทวน P.SAWAI
08/05/68

K301L-160157260

K301R-160159885

K302L-160157268

K302R-160159893



Model	CHIWATHAI_DFB		
Creator	PASATHORN	.BCP Name	INDEX_C3D_KITCHEN2
Reviewer		Order	I003965
Approves	P.SAWAI	Date	08/05/68

No.	Article No.	Description	Mat	Dimension	Cutting Size	Typepology	Skin
0	CHIWATHAI_DFB CHIWATHAI_DFB-31	CHIWATHAI_DFB Front DF_ED-SP	PB-SP	150x838x16 16x150x838	16X149X836;L1:W2	186000_STR=20.111_EDG=MD681-1	2



Model	CHIWATHAI_DFL		
Creator	PASATHORN	.BCP Name	INDEX_C3D_KITCHEN2
Reviewer		Order	I003966
Approves		Date	27/02/2025

CHIWATHAI_DFL-150X16X800

Colour

20.110 ML.MD206 BEIGE (PEARL)_

-
-
-
-

Edge

01.319 1 MFI599 PEARL _ED

-
-
-
-



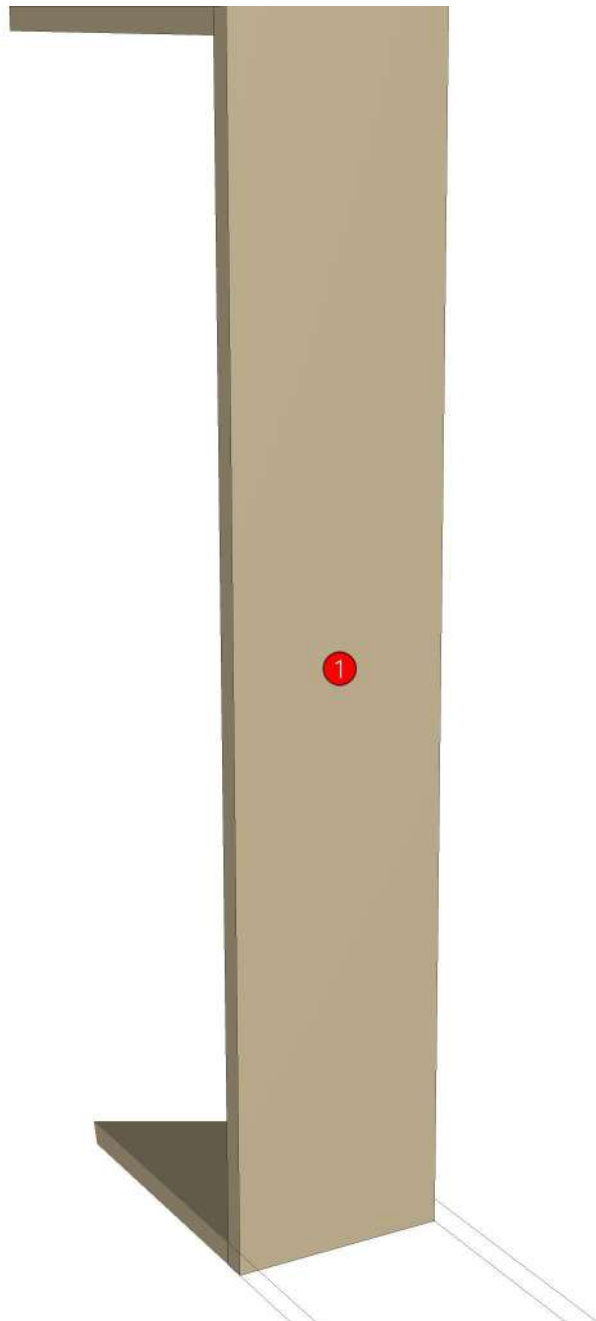
R&D REVIEW	
<input checked="" type="checkbox"/>	DWG.Customer
<input checked="" type="checkbox"/>	Work Report
<input type="checkbox"/>	Function
<input type="checkbox"/>	สินค้าตรงตัวอย่าง
ผู้ทบทวน _____	

K301L-160157260

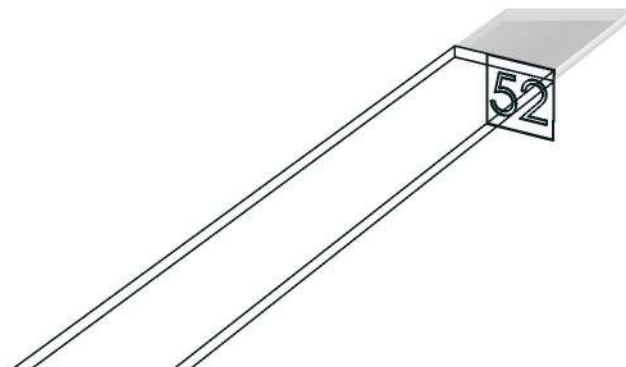
K301R-160159885

K302L-160157268

K302R-160159893



Model	-CHIWATHAI_DFL		
Creator		.BCP Name	INDEX_C3D_KITCHEN2
Reviewer		Order	I003966
Approves		Date	



Model	CHIWATHAI_DF_CL1350		
Creator	PASATHORN	.BCP Name	INDEX_C3D_KITCHEN2
Reviewer		Order	I003963
Approves		Date	27/02/2025

CHIWATHAI_DF_CL1350-1350X16X150

Colour

20.110 ML.MD206 BEIGE (PEARL)_

-
-
-
-

Edge

01.319 1 MFI599 PEARL _ED

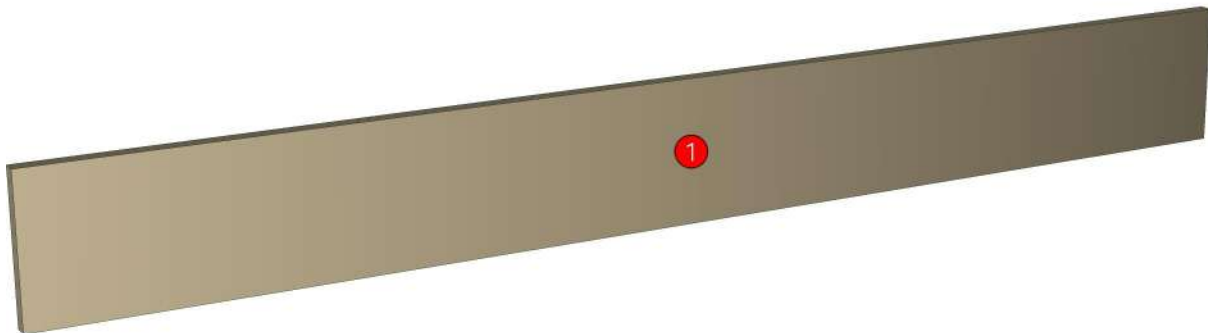
-
-
-
-



R&D REVIEW	
<input checked="" type="checkbox"/>	DWG.Customer
<input checked="" type="checkbox"/>	Work Report
<input type="checkbox"/>	Function
<input type="checkbox"/>	สินค้าตรงตัวอย่าง
ผู้ทบทวน _____	

K301L-160157260

K301R-160159885



Model	CHIWATHAI_DF_CL1350		
Creator	PASATHORN	.BCP Name	INDEX_C3D_KITCHEN2
Reviewer		Order	I003963
Approves		Date	27/02/2025

No.	Article No.	Description	Mat	Dimension	Cutting Size	Typepology	Skin
0	CHIWATHAI_DF_01 CHIWATHAI_DF_CL1350-01	CHIWATHAI_DF_CL1350 DFCL_ED-SP	PB-SP	1350x150x16 16x150x1350	16X149X1349;L1:W1	183000_STR=20.110_EDG=MFI599 PEARL-1	2



Model	CHIWATHAI_DF_CL300		
Creator	PASATHORN	.BCP Name	INDEX_C3D_KITCHEN2
Reviewer		Order	I003961
Approves		Date	27/02/2025

CHIWATHAI_DF_CL300-300X16X150

Colour

20.110 ML.MD206 BEIGE (PEARL)_

-

-

-

K300L-160157253

K300R-160159878

K301L-160157260

K301R-160159885

Edge

01.319 1 MFI599 PEARL _ED

-

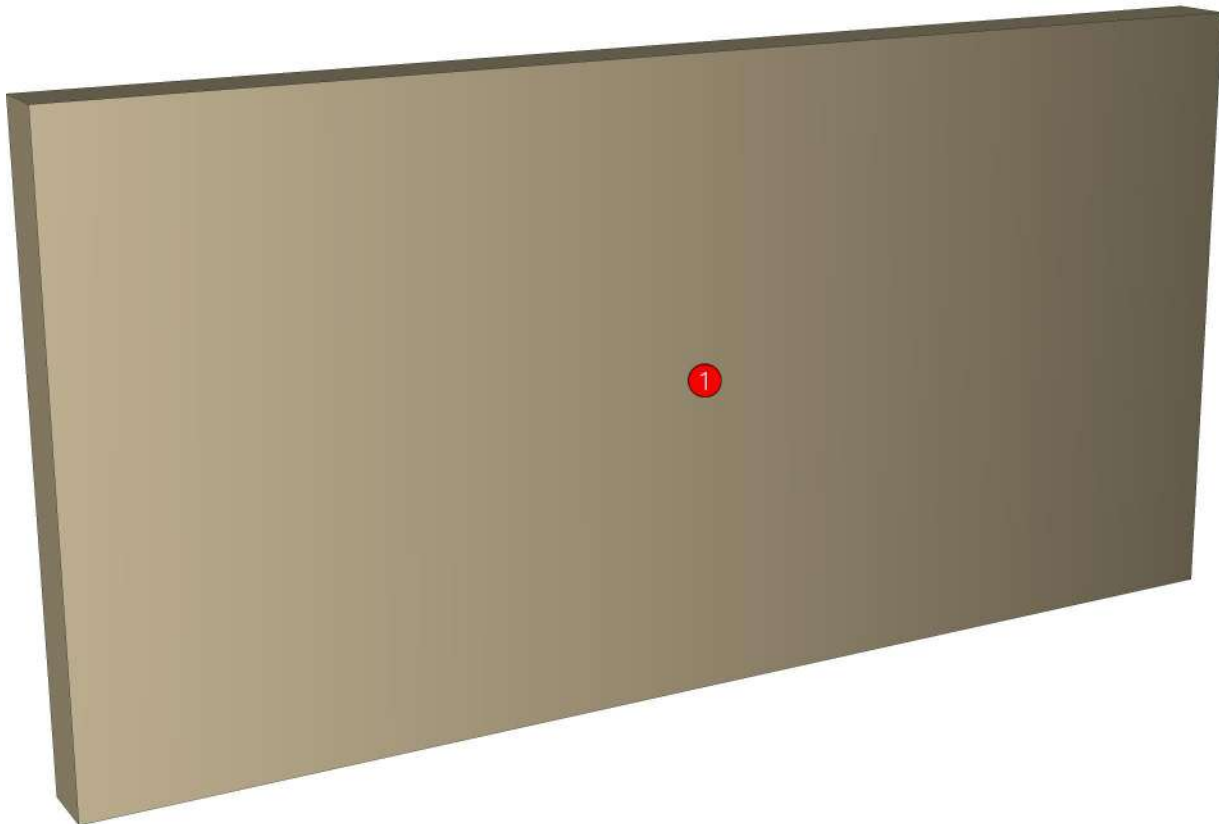
-

-

-



R&D REVIEW	
<input checked="" type="checkbox"/>	DWG.Customer
<input checked="" type="checkbox"/>	Work Report
<input type="checkbox"/>	Function
<input type="checkbox"/>	สินค้าตรงตัวอย่าง
ผู้ทบทวน _____	



Model	CHIWATHAI_DF_CL300		
Creator	PASATHORN	.BCP Name	INDEX_C3D_KITCHEN2
Reviewer		Order	I003961
Approves		Date	27/02/2025

No.	Article No.	Description	Mat	Dimension	Cutting Size	Typepology	Skin
0	CHIWATHAI_DF_000000 CHIWATHAI_DF_CL300-01	CHIWATHAI_DF_CL300 DFCL_ED-SP	PB-SP	300x150x16 16x150x300	16X149X299;L1:W1	183000_STR=20.110_EDG=MFI599 PEARL-1	2



Model	CHIWATHAI_DL60HL		
Creator	PASATHORN	.BCP Name	INDEX_C3D_KITCHEN2
Reviewer		Order	I003975
Approves		Date	28/02/2025

CHIWATHAI_DL60HL-600X300X760

Colour

20.110 ML.MD206 BEIGE (PEARL)_

-

-

-

-

K300R-160159878

K301R-160159885

K302R-160159893

Edge

01.319 1 MFI599 PEARL _ED

-

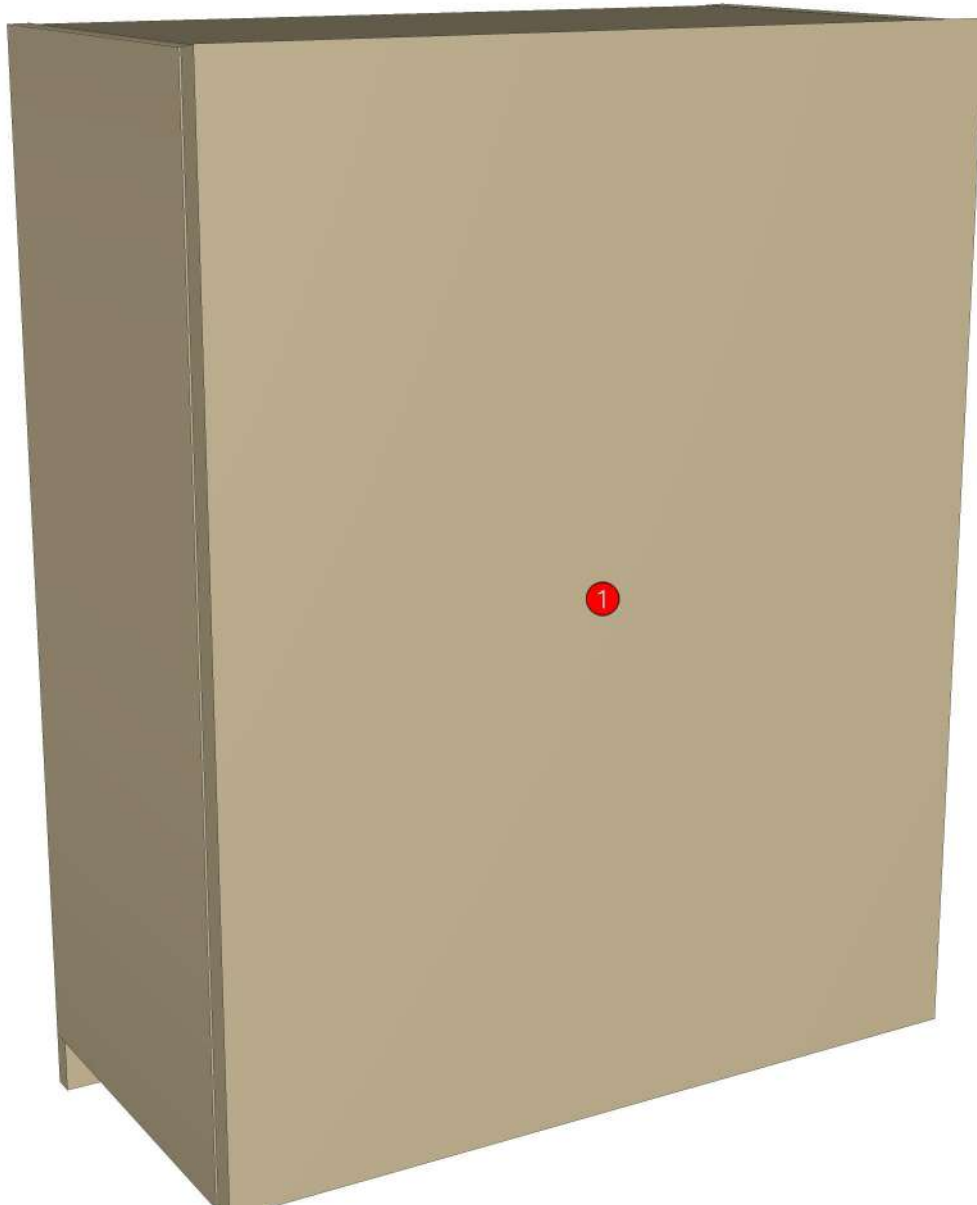
-

-

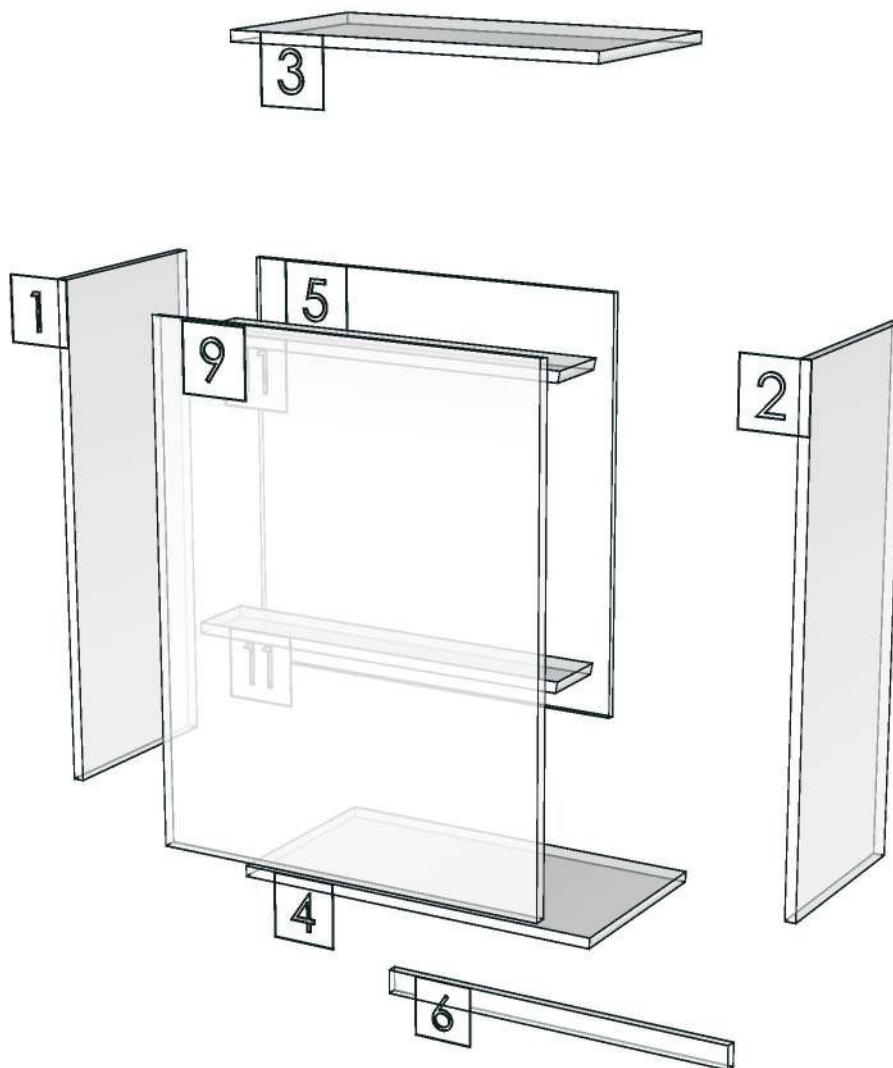
-



R&D REVIEW	
<input checked="" type="checkbox"/>	DWG.Customer
<input checked="" type="checkbox"/>	Work Report
<input type="checkbox"/>	Function
<input type="checkbox"/>	สินค้าตรงตัวอย่าง
ผู้ทบทวน _____	



Model	-CHIWATHAI_DL60HL		
Creator		.BCP Name	INDEX_C3D_KITCHEN2
Reviewer		Order	I003975
Approves		Date	



Model	CHIWATHAI_DLO60		
Creator	PASATHORN	.BCP Name	INDEX_C3D_KITCHEN2
Reviewer		Order	I003967
Approves		Date	27/02/2025

CHIWATHAI_DLO60-600X300X800

Colour

20.110 ML.MD206 BEIGE (PEARL)_

-

-

-

K300L-160157253

K300R-160159878

K301L-160157260

K301R-160159885

Edge

01.319 1 MFI599 PEARL _ED

-

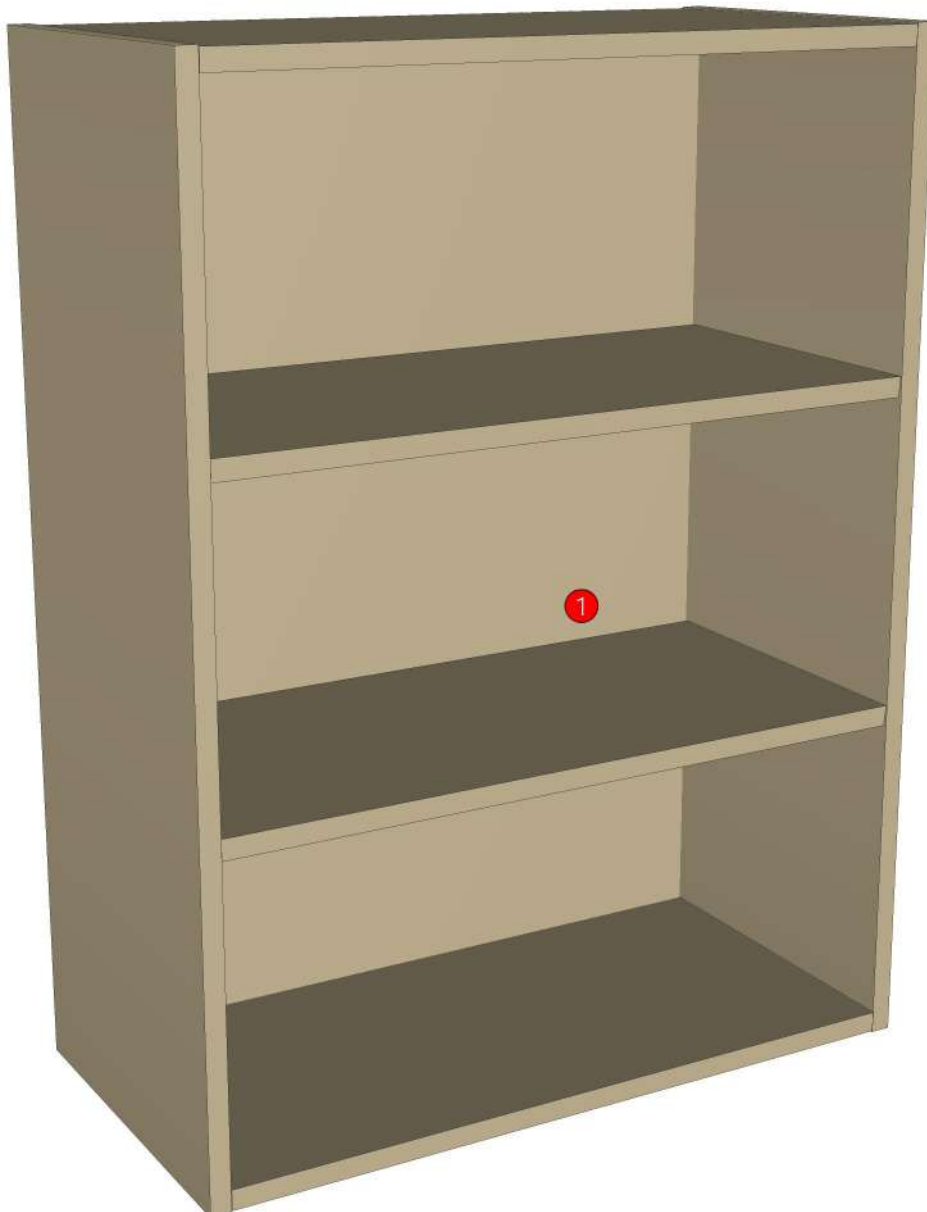
-

-

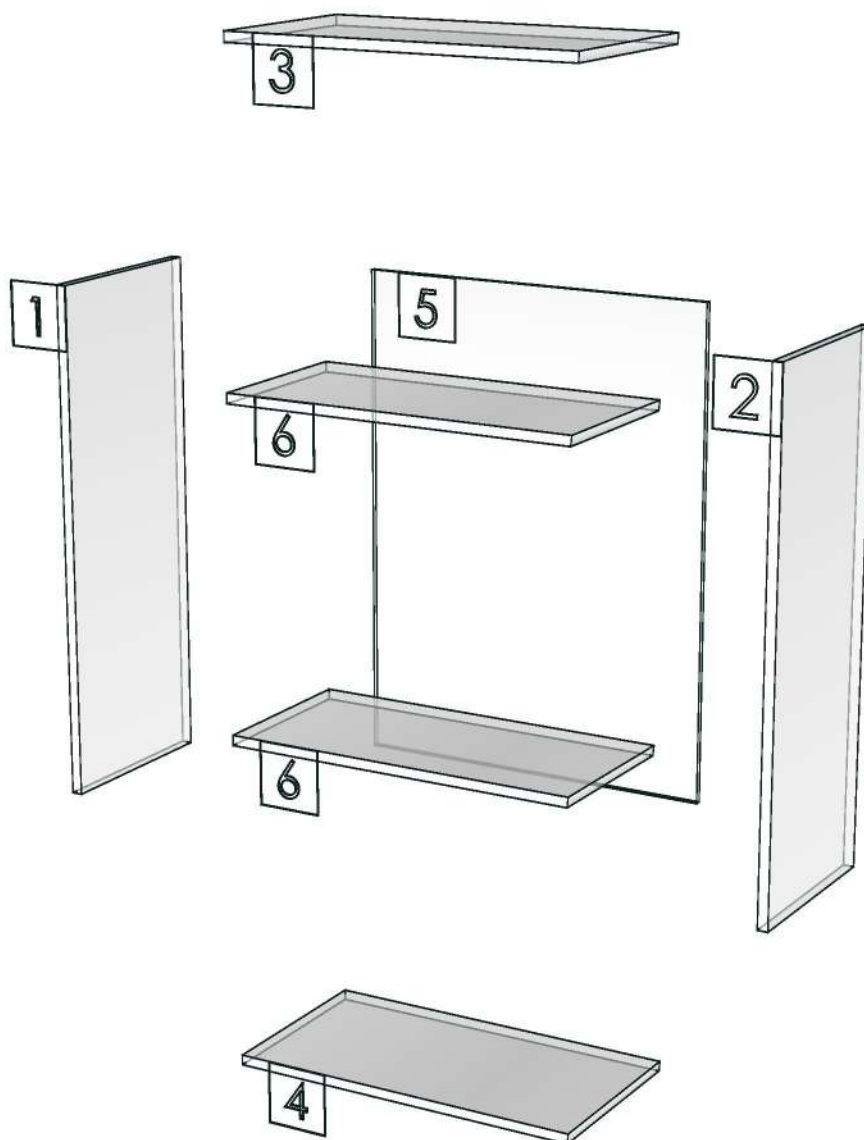
-



R&D REVIEW	
<input checked="" type="checkbox"/>	DWG.Customer
<input checked="" type="checkbox"/>	Work Report
<input type="checkbox"/>	Function
<input type="checkbox"/>	สินค้าตรงตัวอย่าง
ผู้ทบทวน _____	



Model	-CHIWATHAI_DLO60		
Creator		.BCP Name	INDEX_C3D_KITCHEN2
Reviewer		Order	I003967
Approves		Date	



Model	CHIWATHAI_D_PLT1168		
Creator	PASATHORN	.BCP Name	INDEX_C3D_KITCHEN2
Reviewer		Order	I003959
Approves		Date	25/02/2025

CHIWATHAI_D_PLT1168-1168X9X100

Colour

20.110 ML.MD206 BEIGE (PEARL)_

-

-

-

K300L-160157253

K300R-160159878

K301L-160157260

K301R-160159885

Edge

01.319 1 MFI599 PEARL _ED

-

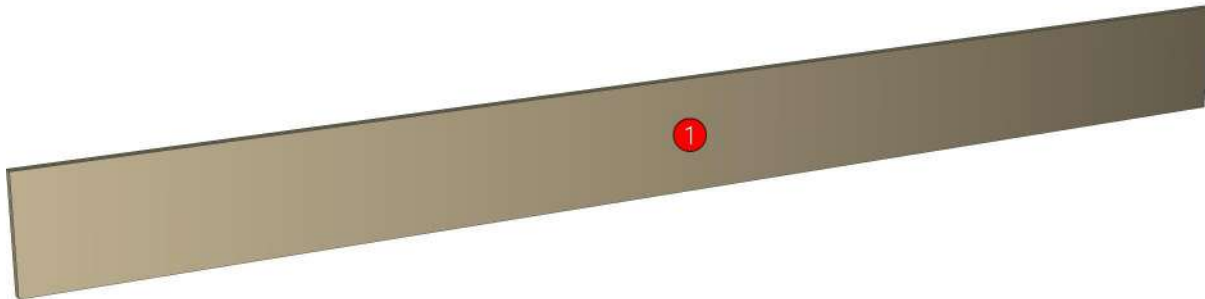
-

-

-



R&D REVIEW	
<input checked="" type="checkbox"/>	DWG.Customer
<input checked="" type="checkbox"/>	Work Report
<input type="checkbox"/>	Function
<input type="checkbox"/>	สินค้าตรงตัวอย่าง
ผู้ทบทวน _____	



Model	CHIWATHAI_D_PLT1168		
Creator	PASATHORN	.BCP Name	INDEX_C3D_KITCHEN2
Reviewer		Order	I003959
Approves		Date	25/02/2025

No.	Article No.	Description	Mat	Dimension	Cutting Size	Typepology	Skin
0	CHIWATHAI_D_PLT1168 CHIWATHAI_D_PLT1168-01	CHIWATHAI_D_PLT1168 DPLINT_ED-SP	PB-SP	1168x100x9 9x100x1168	9X98X1166;L2:W2	183000_STR=20.110_EDG=MFI599 PEARL-1	2

