

Model	CHIWATHAI_DBH602L		
Creator	PASATHORN	.BCP Name	INDEX_C3D_KITCHEN2
Reviewer		Order	I003973
Approves	P.SAWAI	Date	08/05/68

CHIWATHAI_DBH602L-600X570X838

Colour

20.110 ML.MD206 BEIGE (PEARL)_
20.111 ML.MD681 COLUMBUS (EVELYN)_

-
-
-

K300R-160159878

K301R-160159885

K302R-160159893

Edge

01.319 1 MFI599 PEARL _ED
01.444 1 MD681 _

-
-
-

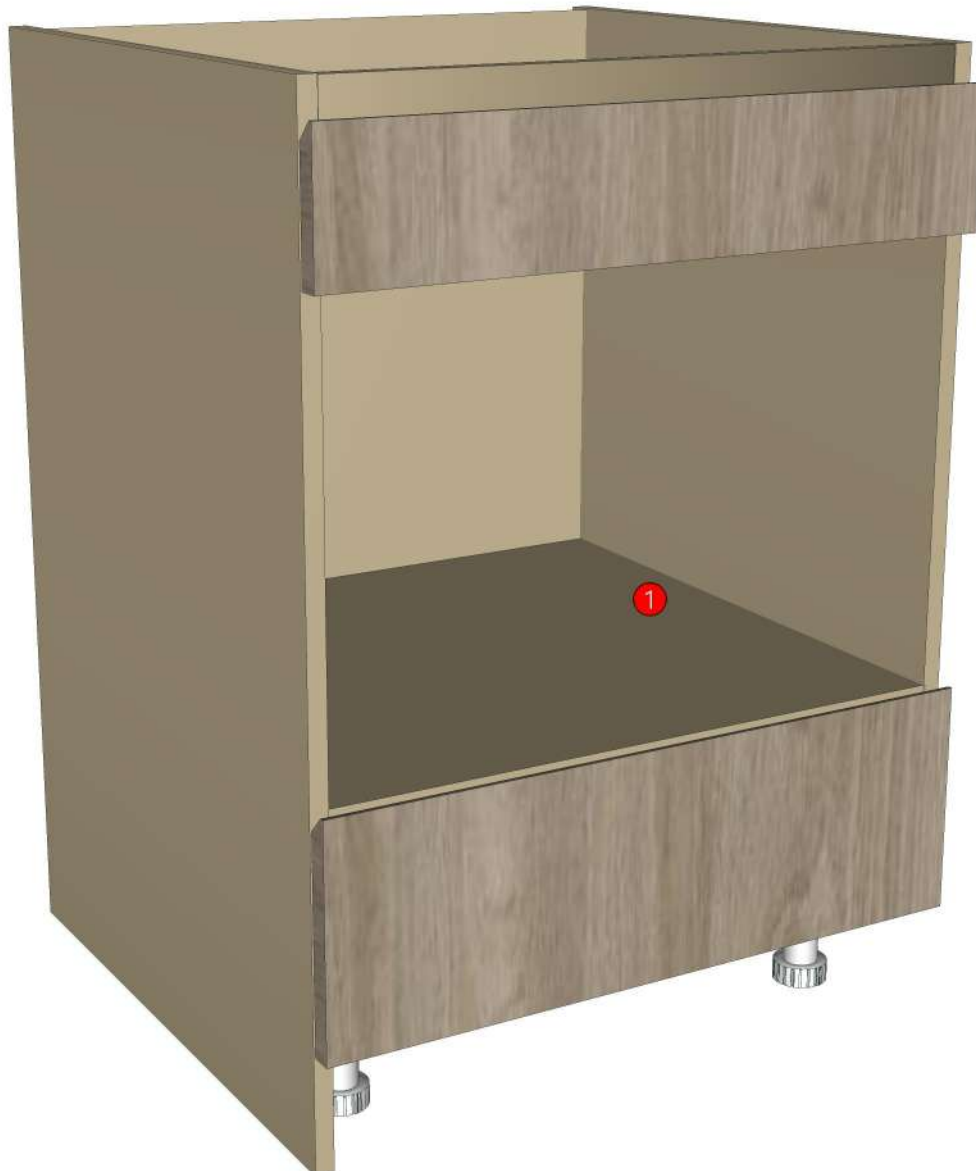


R&D REVIEW

- DWG.Customer
- Work Report
- Function
- สินค้าตรงตัวอย่าง

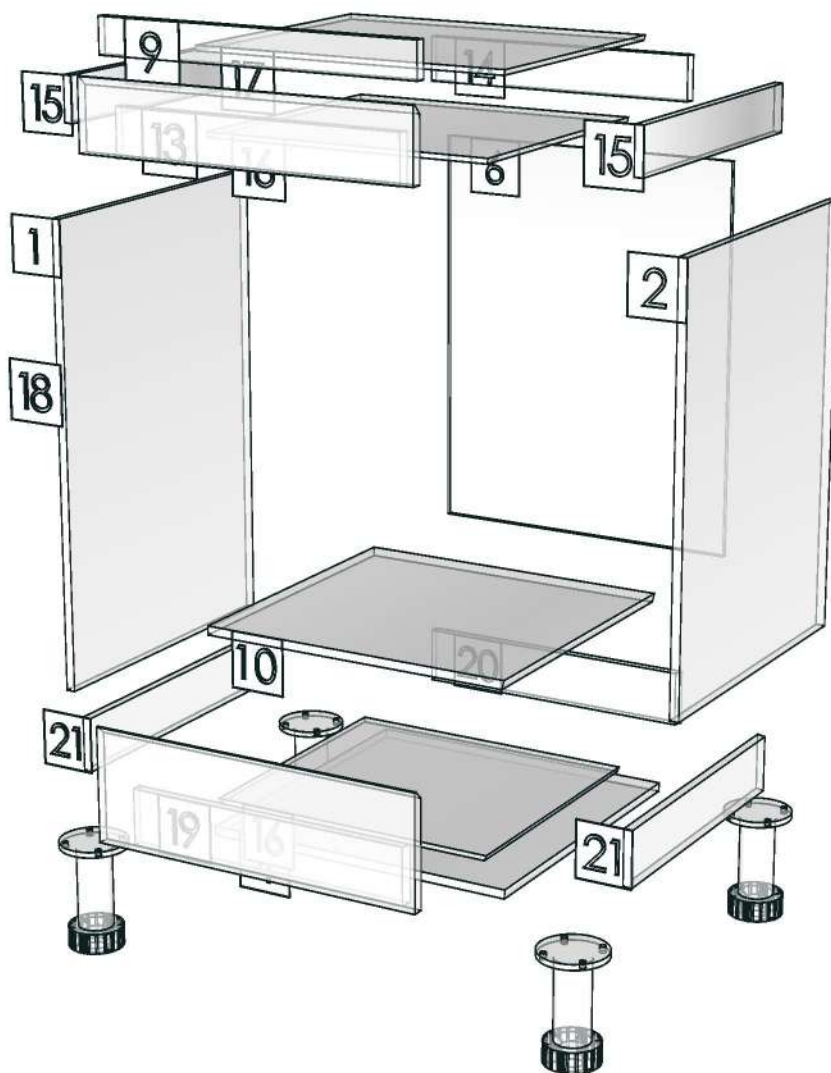
ผู้ทบทวน P.SAWAI

08/05/68



Model	-CHIWATHAI_DBH602L		
Creator		.BCP Name	INDEX_C3D_KITCHEN2
Reviewer		Order	I003973
Approves	P.SAWAI	Date	

12



Model	CHIWATHAI_DBS60RR		
Creator	PASATHORN	.BCP Name	INDEX_C3D_KITCHEN2
Reviewer		Order	I003972
Approves	P.SAWAI	Date	27/02/2025

CHIWATHAI_DBS60RR-600X570X838

Colour

20.110 ML.MD206 BEIGE (PEARL)
20.111 ML.MD681 COLUMBUS (EVELYN)

Edge

01.319 1 MFI599 PEARL
01.444 1 MD681



R&D REVIEW	
<input checked="" type="checkbox"/>	DWG.Customer
<input checked="" type="checkbox"/>	Work Report
<input type="checkbox"/>	Function
<input type="checkbox"/>	สินค้าตรงตัวอย่าง
ผู้ทบทวน <u>P.SAWAI</u>	
<u>27/2/25</u>	

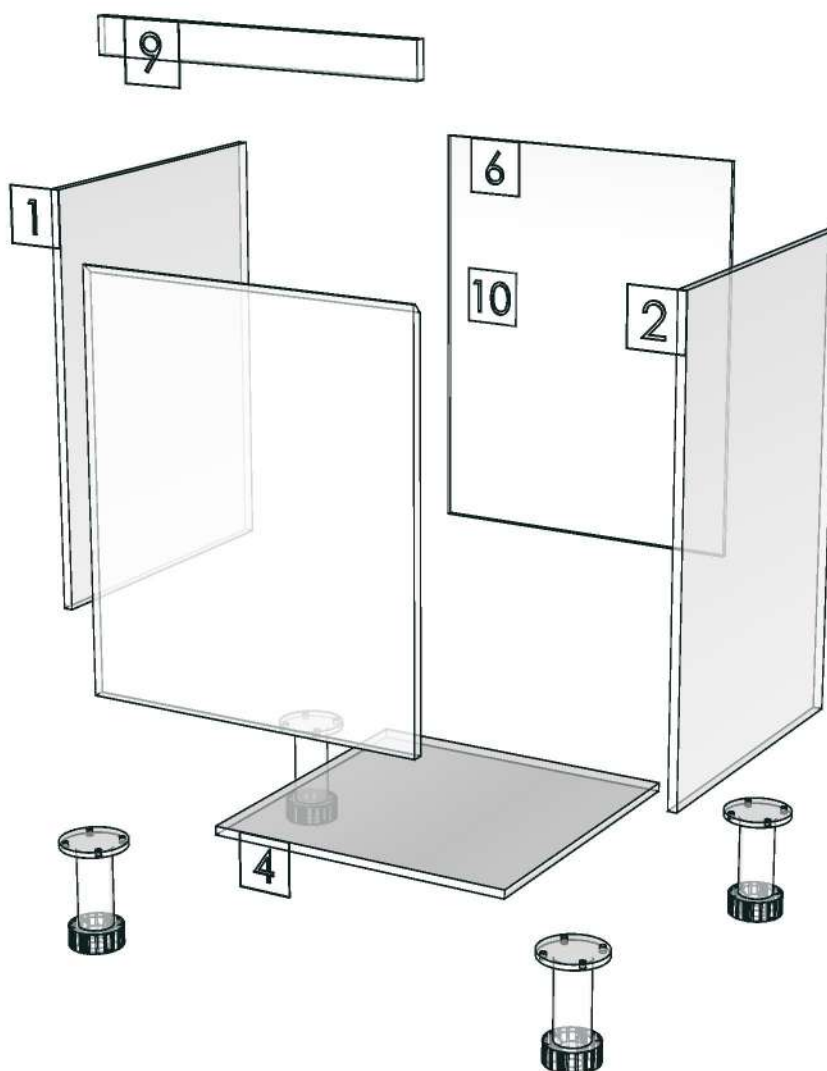
K300R-160159878

K301R-160159885

K302R-160159893



Model	-CHIWATHAI_DBS60RR		
Creator		.BCP Name	INDEX_C3D_KITCHEN2
Reviewer		Order	I003972
Approves		Date	



Model	CHIWATHAI_DF_CL1200		
Creator	PASATHORN	.BCP Name	INDEX_C3D_KITCHEN2
Reviewer		Order	I003962
Approves		Date	27/02/2025

CHIWATHAI_DF_CL1200-1200X16X150

Colour

20.110 ML.MD206 BEIGE (PEARL)_

-

-

-

K300L-160157253

K300R-160159878

Edge

01.319 1 MFI599 PEARL _ED

-

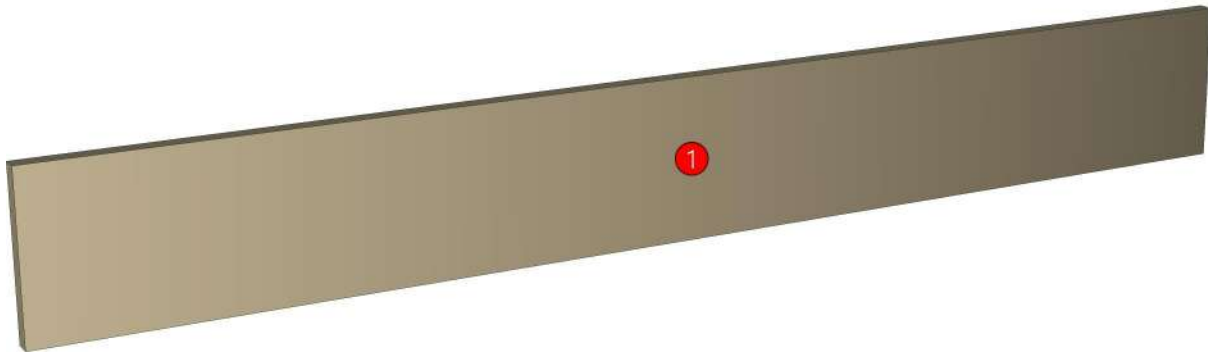
-

-

-



R&D REVIEW	
<input checked="" type="checkbox"/>	DWG.Customer
<input checked="" type="checkbox"/>	Work Report
<input type="checkbox"/>	Function
<input type="checkbox"/>	สินค้าตรงตัวอย่าง
ผู้ทบทวน _____	



Model	CHIWATHAI_DF_CL300		
Creator	PASATHORN	.BCP Name	INDEX_C3D_KITCHEN2
Reviewer		Order	I003961
Approves		Date	27/02/2025

CHIWATHAI_DF_CL300-300X16X150

Colour

20.110 ML.MD206 BEIGE (PEARL)_

-

-

-

K300L-160157253

K300R-160159878

K301L-160157260

K301R-160159885

Edge

01.319 1 MFI599 PEARL _ED

-

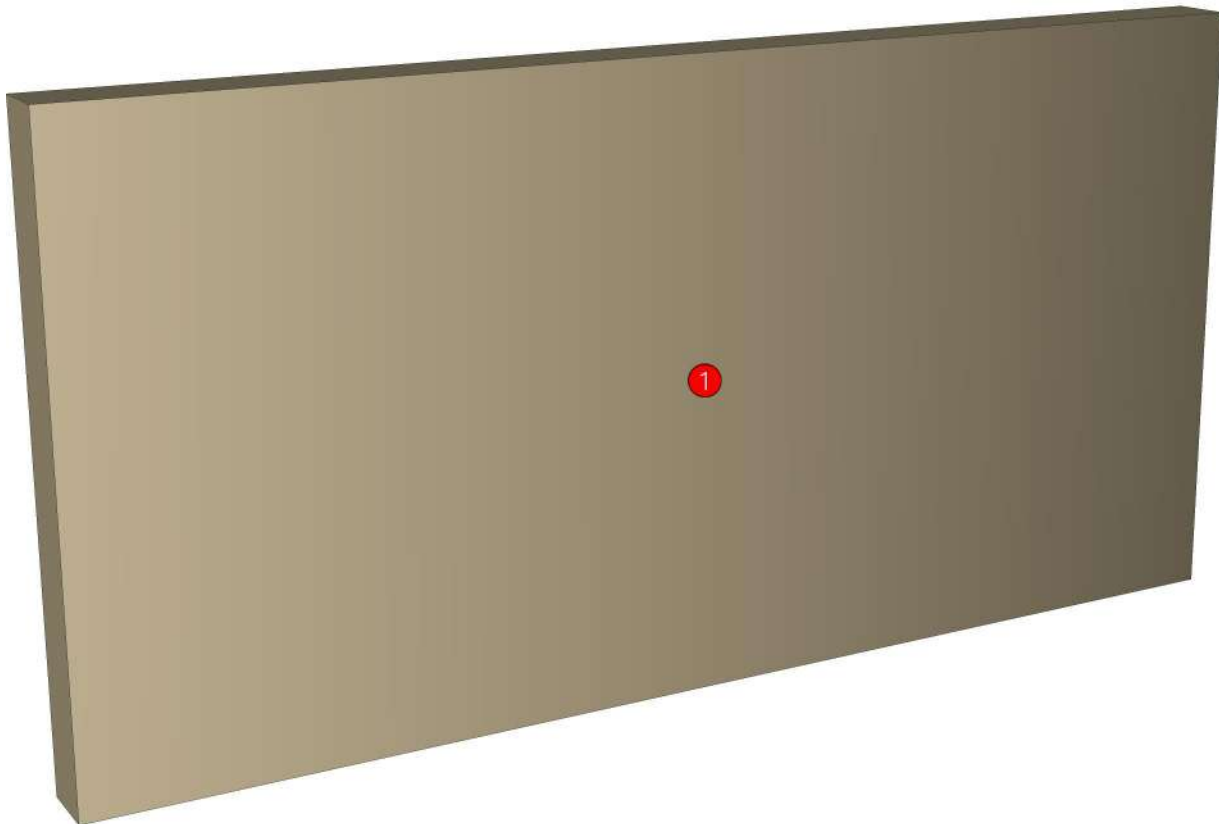
-

-

-



R&D REVIEW	
<input checked="" type="checkbox"/>	DWG.Customer
<input checked="" type="checkbox"/>	Work Report
<input type="checkbox"/>	Function
<input type="checkbox"/>	สินค้าตรงตัวอย่าง
ผู้ทบทวน _____	



Model	CHIWATHAI_DF_CL300		
Creator	PASATHORN	.BCP Name	INDEX_C3D_KITCHEN2
Reviewer		Order	I003961
Approves		Date	27/02/2025

No.	Article No.	Description	Mat	Dimension	Cutting Size	Typepology	Skin
0	CHIWATHAI_DF_000000/ATHAI_DF_CL300 CHIWATHAI_DF_CL300-01	DFCL_ED-SP	PB-SP	300x150x16 16x150x300	16X149X299;L1:W1	183000_STR=20.110_EDG=MFI599 PEARL-1	2



Model	CHIWATHAI_DL60HL		
Creator	PASATHORN	.BCP Name	INDEX_C3D_KITCHEN2
Reviewer		Order	I003975
Approves		Date	28/02/2025

CHIWATHAI_DL60HL-600X300X760

Colour

20.110 ML.MD206 BEIGE (PEARL)_

-

-

-

-

K300R-160159878

K301R-160159885

K302R-160159893

Edge

01.319 1 MFI599 PEARL _ED

-

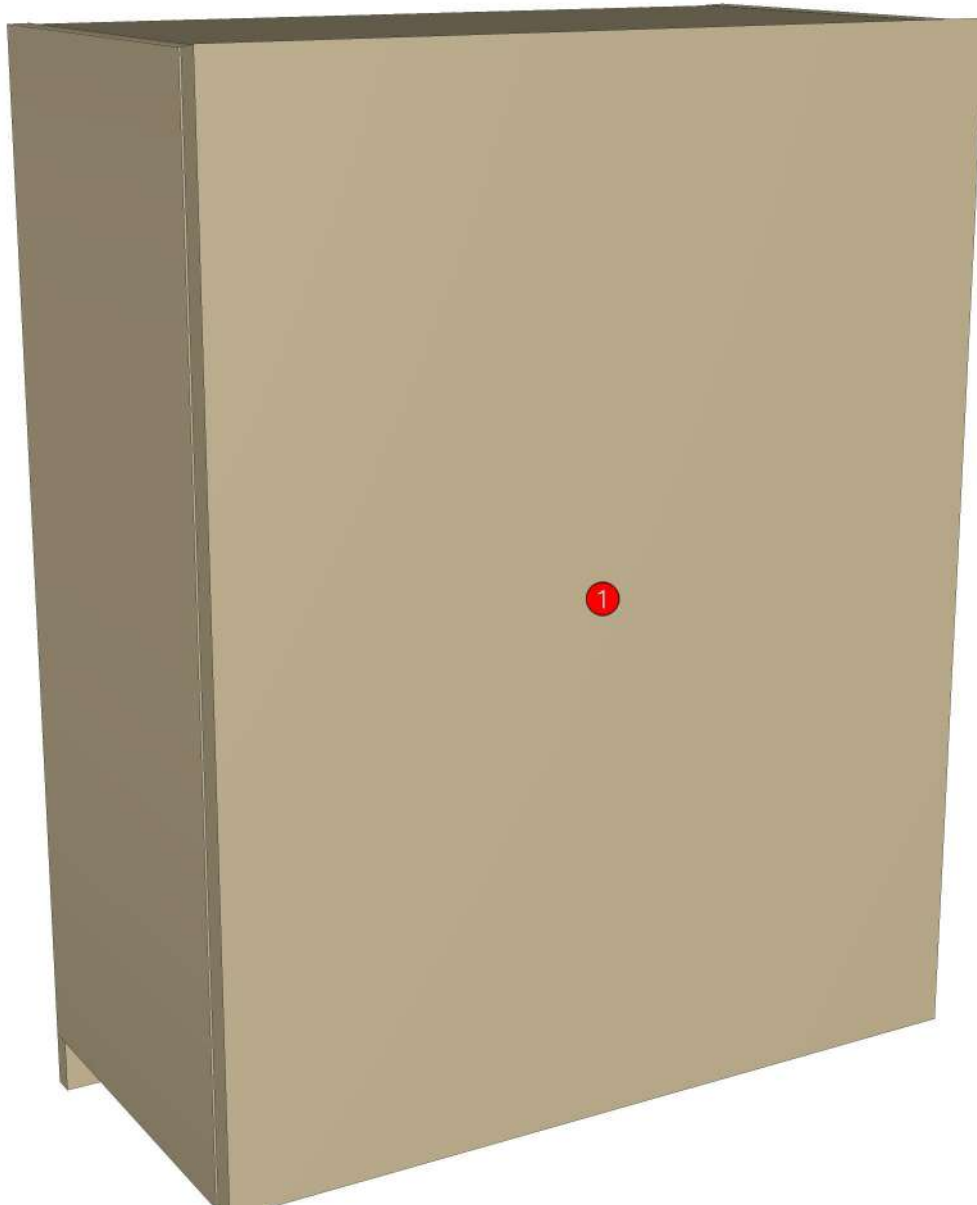
-

-

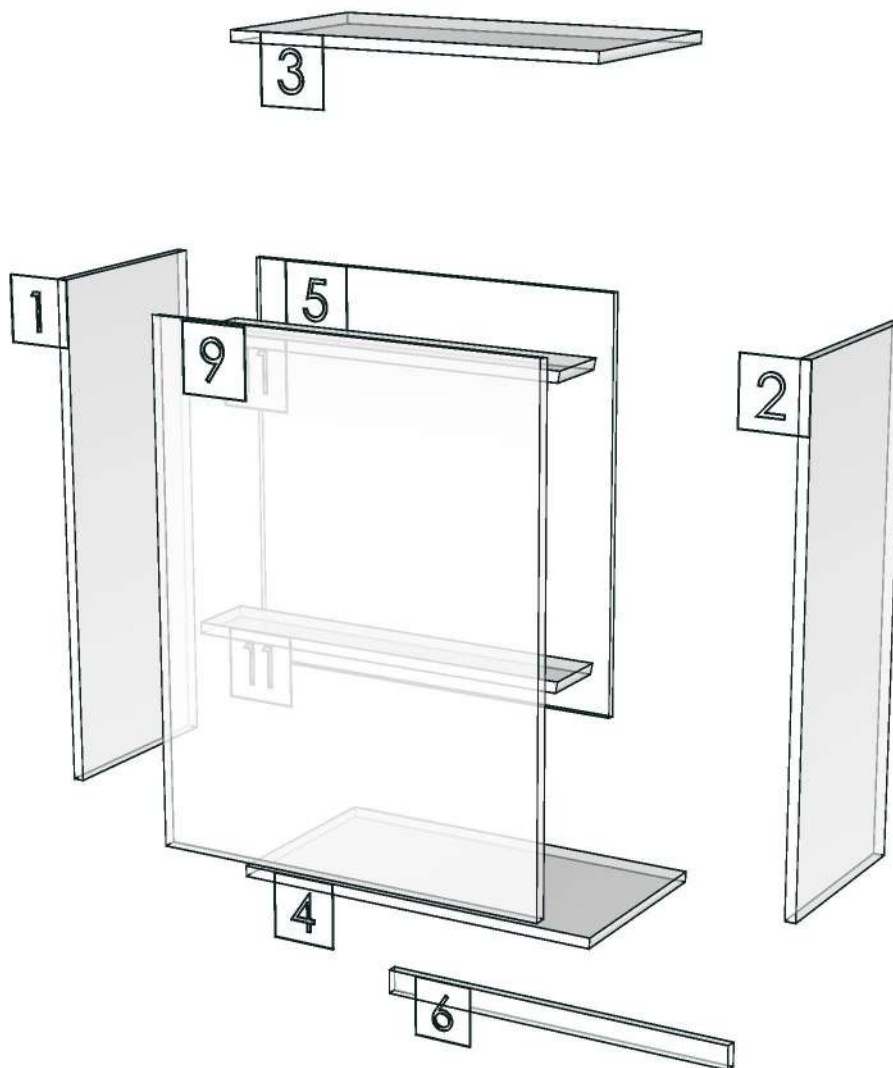
-



R&D REVIEW	
<input checked="" type="checkbox"/>	DWG.Customer
<input checked="" type="checkbox"/>	Work Report
<input type="checkbox"/>	Function
<input type="checkbox"/>	สินค้าตรงตัวอย่าง
ผู้ทบทวน _____	



Model	-CHIWATHAI_DL60HL		
Creator		.BCP Name	INDEX_C3D_KITCHEN2
Reviewer		Order	I003975
Approves		Date	



Model	CHIWATHAI_DLO60		
Creator	PASATHORN	.BCP Name	INDEX_C3D_KITCHEN2
Reviewer		Order	I003967
Approves		Date	27/02/2025

CHIWATHAI_DLO60-600X300X800

Colour

20.110 ML.MD206 BEIGE (PEARL)_

-

-

-

K300L-160157253

K300R-160159878

K301L-160157260

K301R-160159885

Edge

01.319 1 MFI599 PEARL _ED

-

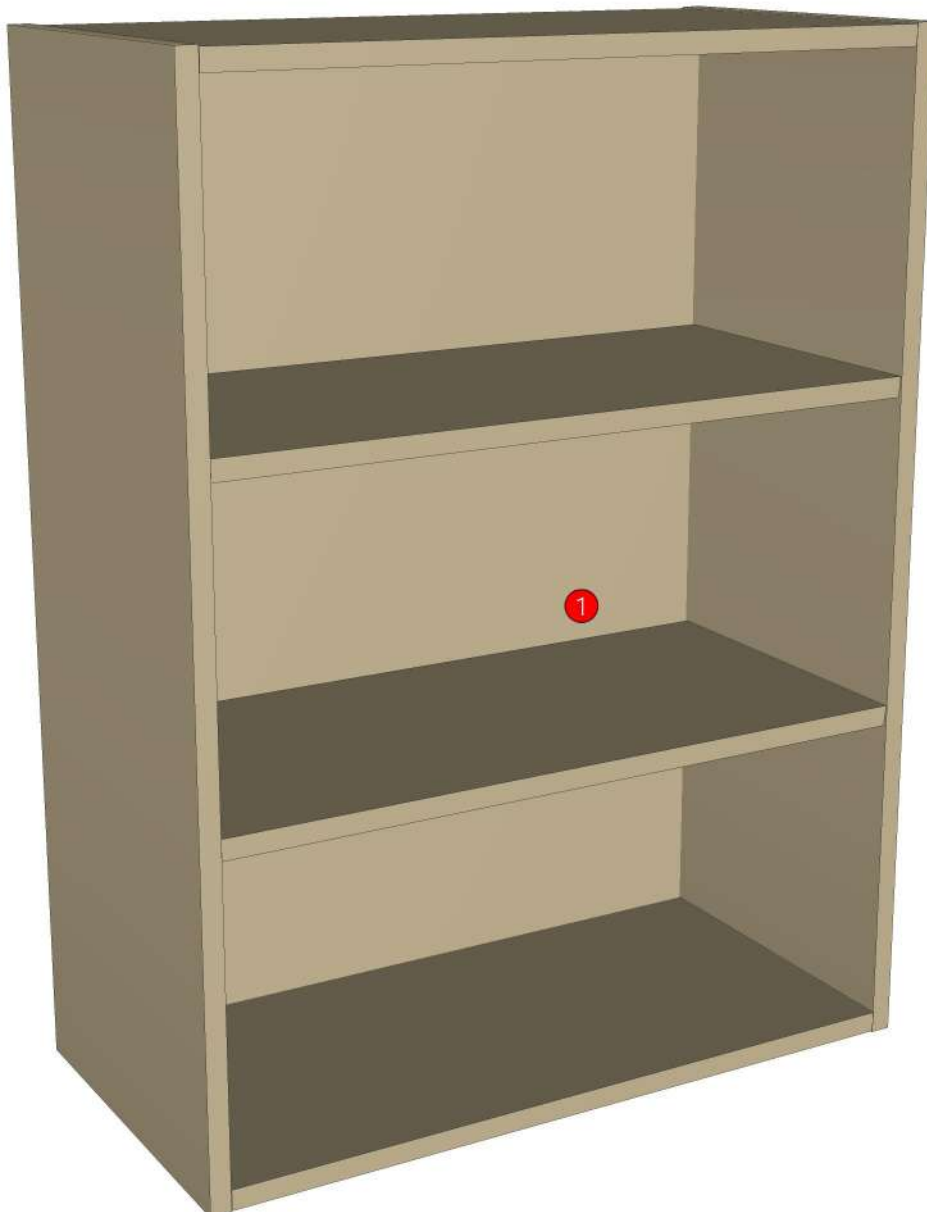
-

-

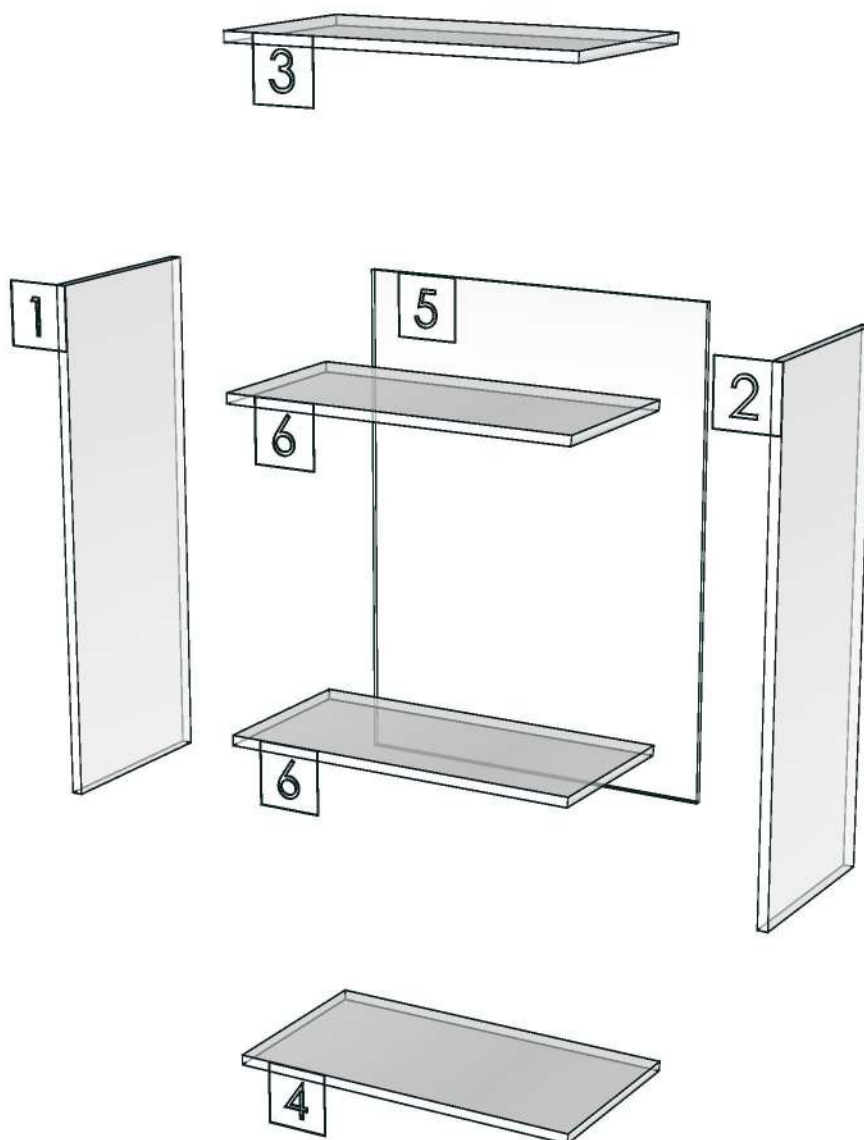
-



R&D REVIEW	
<input checked="" type="checkbox"/>	DWG.Customer
<input checked="" type="checkbox"/>	Work Report
<input type="checkbox"/>	Function
<input type="checkbox"/>	สินค้าตรงตัวอย่าง
ผู้ทบทวน _____	



Model	-CHIWATHAI_DLO60		
Creator		.BCP Name	INDEX_C3D_KITCHEN2
Reviewer		Order	I003967
Approves		Date	



Model	CHIWATHAI_D_PLT1168		
Creator	PASATHORN	.BCP Name	INDEX_C3D_KITCHEN2
Reviewer		Order	I003959
Approves		Date	25/02/2025

CHIWATHAI_D_PLT1168-1168X9X100

Colour

20.110 ML.MD206 BEIGE (PEARL)_

-

-

-

K300L-160157253

K300R-160159878

K301L-160157260

K301R-160159885

Edge

01.319 1 MFI599 PEARL _ED

-

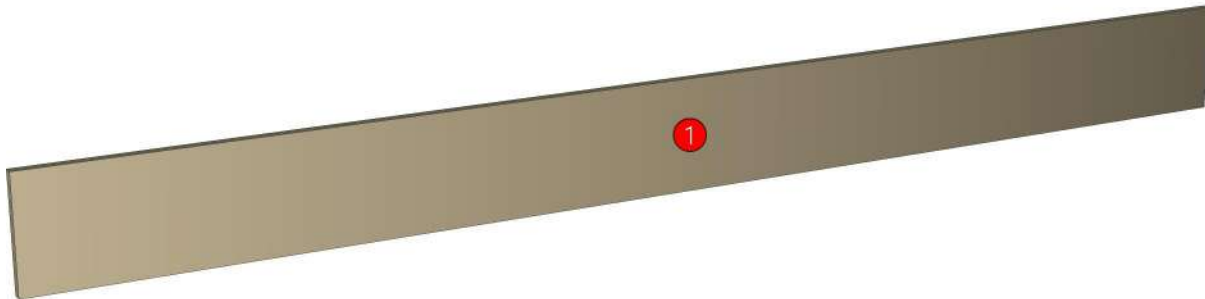
-

-

-



R&D REVIEW	
<input checked="" type="checkbox"/>	DWG.Customer
<input checked="" type="checkbox"/>	Work Report
<input type="checkbox"/>	Function
<input type="checkbox"/>	สินค้าตรงตัวอย่าง
ผู้ทบทวน _____	



Model	CHIWATHAI_D_PLT1168		
Creator	PASATHORN	.BCP Name	INDEX_C3D_KITCHEN2
Reviewer		Order	I003959
Approves		Date	25/02/2025

No.	Article No.	Description	Mat	Dimension	Cutting Size	Typepology	Skin
0	CHIWATHAI_D_PLT1168 CHIWATHAI_D_PLT1168-01	CHIWATHAI_D_PLT1168 DPLINT_ED-SP	PB-SP	1168x100x9 9x100x1168	9X98X1166;L2:W2	183000_STR=20.110_EDG=MFI599 PEARL-1	2

