

Model	ASPIRE_VIBHA_DBH601R		
Creator	SUTTHI.P	.BCP Name	INDEX_C3D_KITCHENPAE
Reviewer		Order	O001723
Approves	<i>P.SAWA I</i>	Date	25/06/2024

ASPIRE_VIBHA_DBH601R-600X570X813

Colour

05.67=ML.WHITE LAVA MARBLE#BT5 (SUPPER MATT)
05.66=ML.WOOD OAK#BT4 (MATT WOODGRIN)
20.07=ML.WHITE #VM1012 18/18(MATT)

Edge

01.380=1 ML.WHITE LAVA MARBLE BT5
01.369=1 WOOD OAK (BT4)
01.47=1 WHITE

K100L 160148633 K200L 160159076
K101L 160148640 K201L 160159090
 K202L 160159104

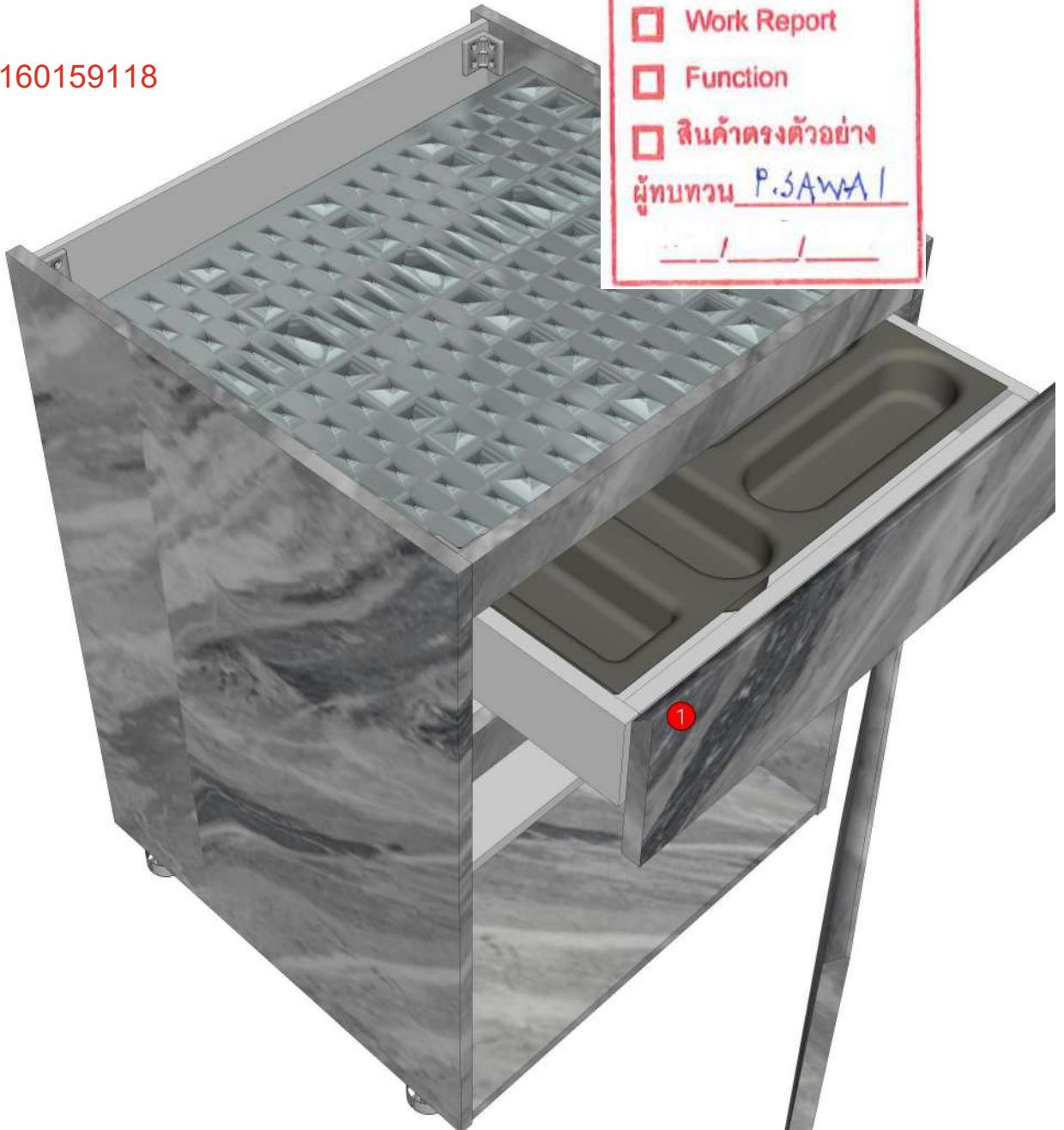
K301L 160159118

R&D REVIEW

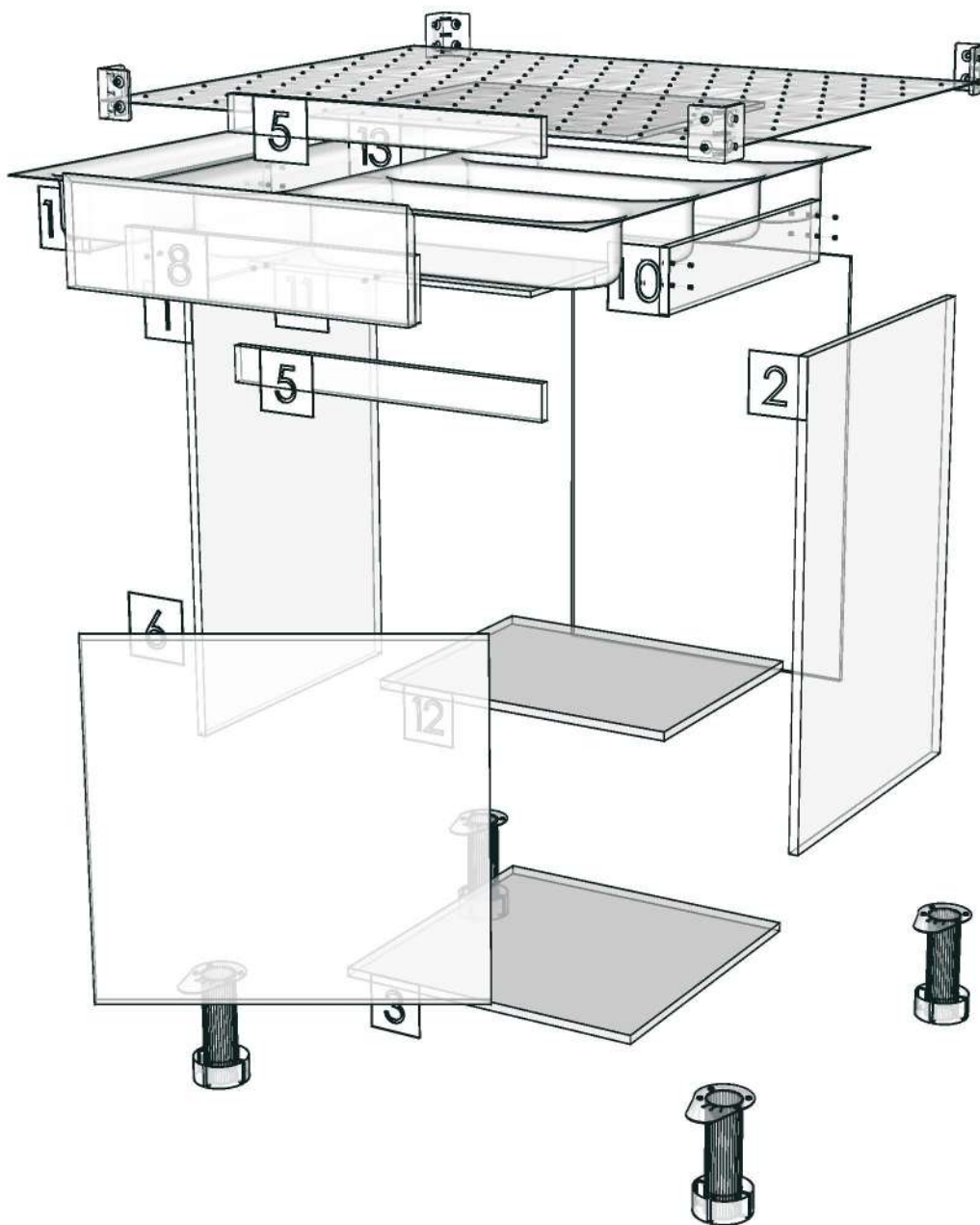
- DWG.Customer
- Work Report
- Function
- สินค้าตรงตัวอย่าง

ผู้ทบทวน P.SAWA I

_____/_____/_____



Model	-ASPIRE_VIBHA_DBH601R		
Creator	SUTTHI.P	.BCP Name	INDEX_C3D_KITCHENPAE
Reviewer		Order	0001723
Approves	<i>P. SAWA</i>	Date	25/06/2024



Model	ASPIRE_VIBHA_DBS75LS		
Creator	SUTTHI.P	.BCP Name	INDEX_C3D_KITCHENPAE
Reviewer		Order	O002325
Approves	P. SAWA I	Date	05/03/2025

ASPIRE_VIBHA_DBS75LS-750X570X813

Colour

05.67=ML.WHITE LAVA MARBLE#BT5 (SUPPER MATT)

05.66=ML.WOOD OAK#BT4 (MATT WOODGRIN)

20.07=ML.WHITE #VM1012 18/18(MATT)

Edge

01.380=1 ML.WHITE LAVA MARBLE BT5

01.369=1 WOOD OAK (BT4)

01.47=1 WHITE

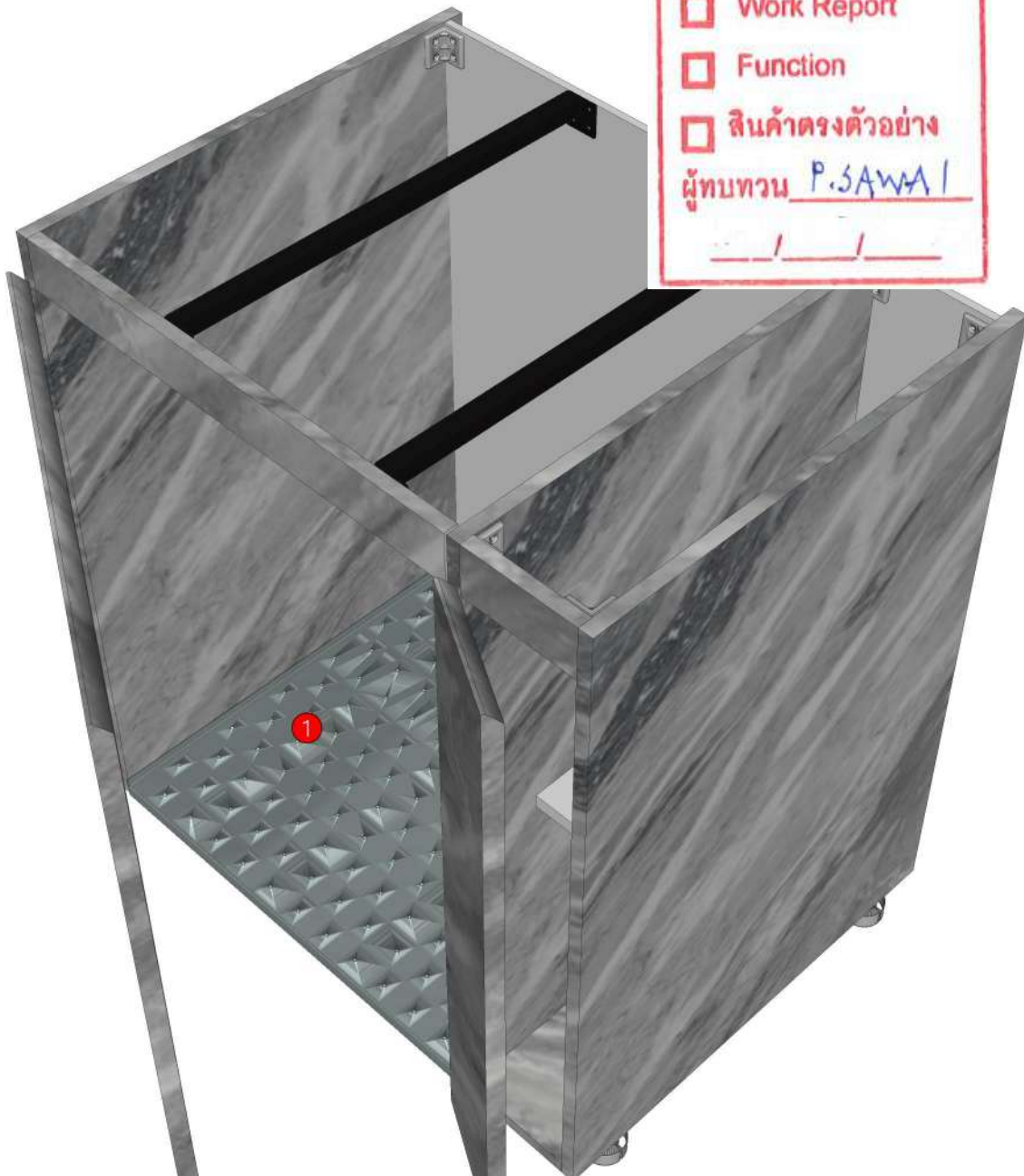
K301L 160159118

R&D REVIEW

- DWG.Customer
- Work Report
- Function
- สินค้าตรงตัวอย่าง

ผู้ทบทวน P.SAWA I

____/____/____



Model	ASPIRE_VIBHA_DBS75LS		
Creator	SUTTHI.P	.BCP Name	INDEX_C3D_KITCHENPAE
Reviewer		Order	O002325
Approves	<i>P. SAWA</i>	Date	05/03/2025

No.	Article No.	Description	Mat	Dimension	Cutting Size	Typepology	Skin
0	ASPIRE_VIBHA_DBS75LS	ASPIRE_VIBHA_DBS75LS		750x813x570			
	ASPIRE_VIBHA_DBS75LS-01	LEFT PANEL	PB-ST	16x570x813	16X568X811;L2:W2	181000_STR=05.67_EDG=ML.WHITE LAVA MARBLE BT5-1	2
	ASPIRE_VIBHA_DBS75LS-02	RIGHT PANEL	PB-ST	16x570x813	16X568X811;L2:W2	181001_STR=05.67_EDG=ML.WHITE LAVA MARBLE BT5-1	2
	ASPIRE_VIBHA_DBS75LS-03	BOTTOM PANEL	PB-ST	16x717x570	16X717X568;L0:W2	185000_STR=05.67_EDG=ML.WHITE LAVA MARBLE BT5-1	2
	ASPIRE_VIBHA_DBS75LS-04	REAR PANEL	PB-ST	9x726x800	9X726X800;NO EDGE	186000_STR=20.07_EDG=-	2
	ASPIRE_VIBHA_DBS75LS-05	RIGHT BEAM FRONT	PB-ST	16x133x60	16X133X58;L0:W2	186001_STR=05.67_EDG=ML.WHITE LAVA MARBLE BT5-1	2
	ASPIRE_VIBHA_DBS75LS-06	DOOR L_SF(L1)	PB-ST	19x155x783	19X153X781;L2:W2	186002_STR=05.67_EDG=ML.WHITE LAVA MARBLE BT5-1	2
	ASPIRE_VIBHA_DBS75LS-07	MID PANEL	PB-ST	16x542x796	16X541X795;L1:W1	181002_STR=05.67_EDG=ML.WHITE LAVA MARBLE BT5-1	2
	ASPIRE_VIBHA_DBS75LS-08	ADJ SHEL	PB-ST	16x450x132	16X448X130;L2:W2	182000_STR=20.07_EDG=WHITE-1	2
	ASPIRE_VIBHA_DBS75LS-10	LIFT BEAM FRONT	PB-ST	16x567x60	16X567X58;L0:W2	186003_STR=05.67_EDG=ML.WHITE LAVA MARBLE BT5-1	2
	ASPIRE_VIBHA_DBS75LS-11	DOOL L_SF(L1)	PB-ST	19x589x783	19X587X781;L2:W2	186004_STR=05.67_EDG=ML.WHITE LAVA MARBLE BT5-1	2

Model	ASPIRE_VIBHA_DDM_1450S		
Creator	SUTTHI.P	Name	INDEX_C3D_KITCHENPAE
Reviewer		Order	O001744
Approves	<i>P. SAWA</i>	Date	02/07/2024

ASPIRE_VIBHA_DDM_1450S-1450X16X355

Colour

05.67=ML.WHITE LAVA MARBLE#BT5 (SUPPER MATT)
05.66=ML.WOOD OAK#BT4 (MATT WOODGRIN)
20.07=ML.WHITE #VM1012 18/18(MATT)

Edge

01.380=1 ML.WHITE LAVA MARBLE BT5
01.369=1 WOOD OAK (BT4)
01.47=1 WHITE

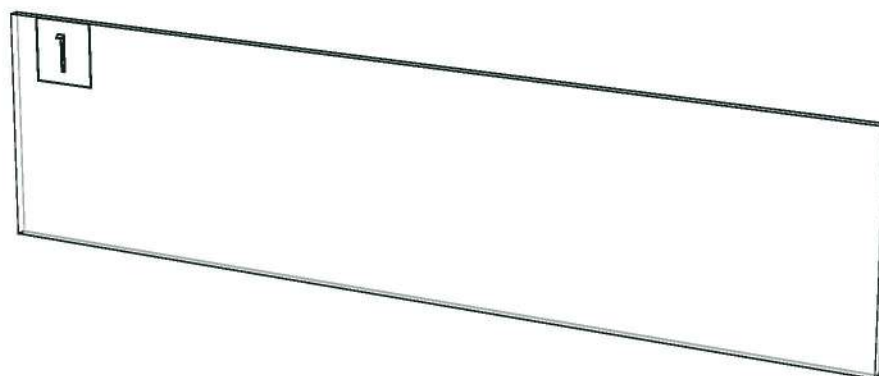
K103L 160146717
K105R 160148664
K106R 160148672

K301L 160159118

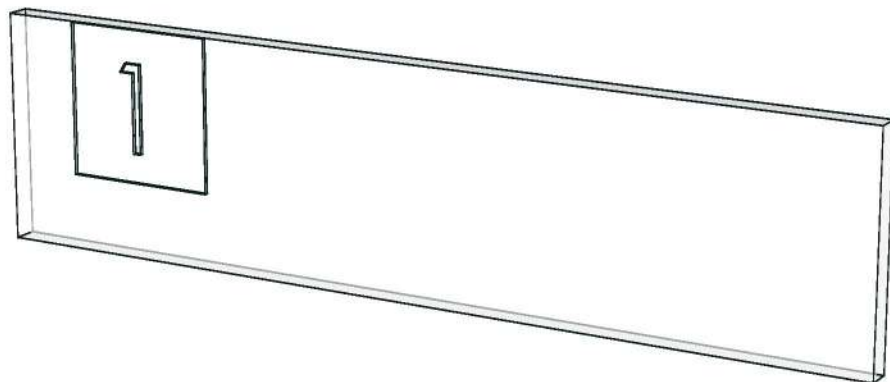
R&D REVIEW	
<input checked="" type="checkbox"/>	DWG.Customer
<input type="checkbox"/>	Work Report
<input type="checkbox"/>	Function
<input type="checkbox"/>	สินค้าตรงตัวอย่าง
ผู้ทบทวน <u>P.SAWA</u>	
____/____/____	



Model	-ASPIRE_VIBHA_DDM_1450S		
Creator	SUTTHI.P	Name	INDEX_C3D_KITCHENPAE
Reviewer		Order	0001744
Approves	<i>P. SAWA</i>	Date	02/07/2024



Model	-ASPIRE_VIBHA_DDM_600		
Creator	SUTTHI.P	Name	INDEX_C3D_KITCHENPAE
Reviewer		Order	O001740
Approves	<i>P. SAWA</i>	Date	01/07/2024



Model	ASPIRE_VIBHA_DFB		
Creator	SUTTHI.P	Name	INDEX_C3D_KITCHENPAE
Reviewer		Order	O001746
Approves	<i>P.SAWA</i>	Date	02/07/2024

ASPIRE_VIBHA_DFB-150X16X813

Colour

05.67=ML.WHITE LAVA MARBLE#BT5 (SUPPER MATT)
05.66=ML.WOOD OAK#BT4 (MATT WOODGRIN)
20.07=ML.WHITE #VM1012 18/18(MATT)

Edge

01.380=1 ML.WHITE LAVA MARBLE BT5
01.369=1 WOOD OAK (BT4)
01.47=1 WHITE

K101L 160148640

K101R 160148648

K106R 160148672

K201L 160159090

K201R 160159097

K202L 160159104

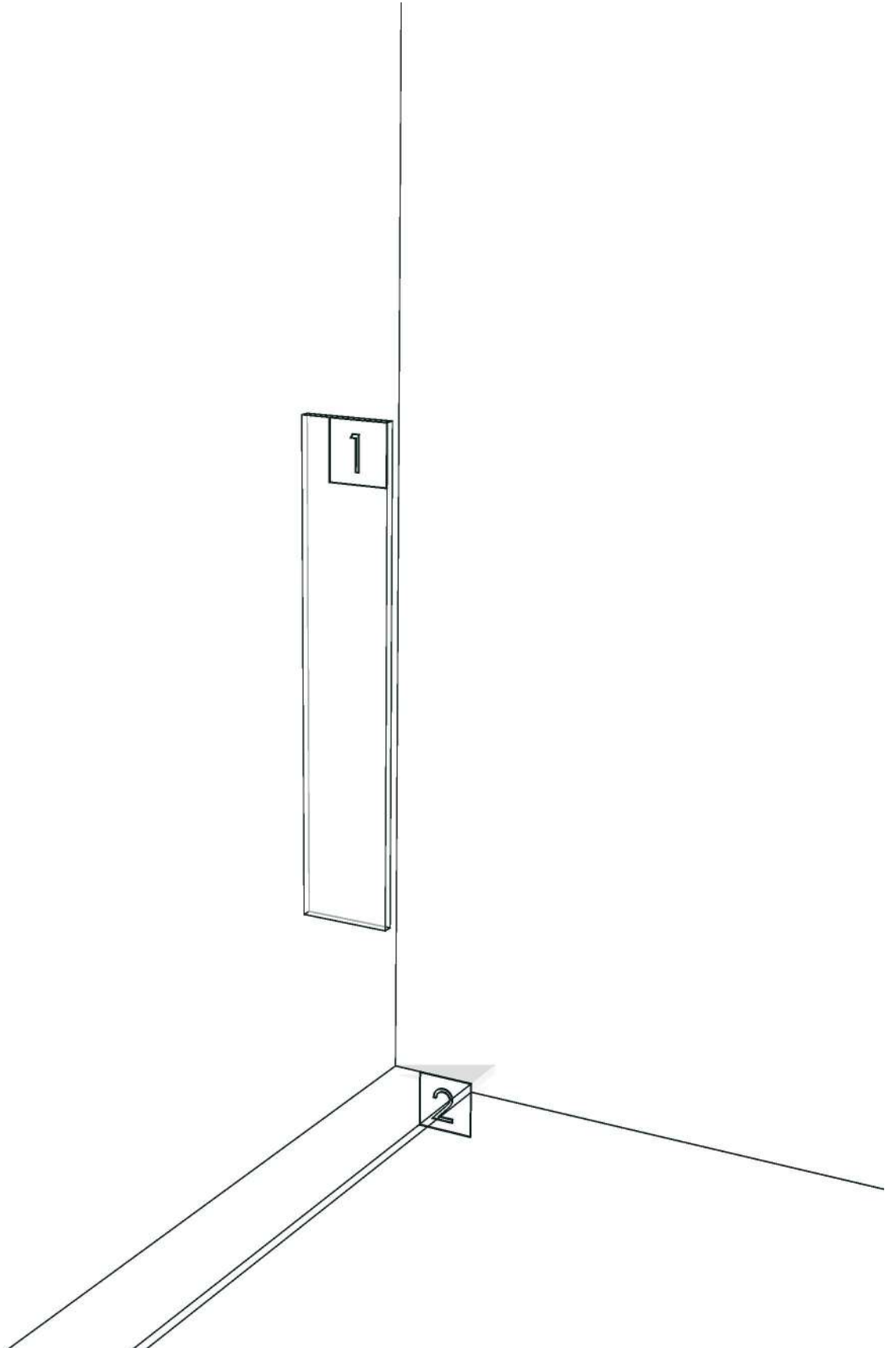
K301L 160159118

K302R 160159126

R&D REVIEW	
<input checked="" type="checkbox"/>	DWG.Customer
<input type="checkbox"/>	Work Report
<input type="checkbox"/>	Function
<input type="checkbox"/>	สินค้าตรงตัวอย่าง
ผู้ทบทวน <u>P.SAWA</u>	
____/____/____	



Model	-ASPIRE_VIBHA_DFB		
Creator	SUTTHI.P	Name	INDEX_C3D_KITCHENPAE
Reviewer		Order	0001746
Approves	<i>P. SAWA</i>	Date	02/07/2024



Model	ASPIRE_VIBHA_DFLMV		
Creator	SUTTHI.P	.BCP Name	INDEX_C3D_KITCHENPAE
Reviewer		Order	O002332
Approves	<i>P.SAWA</i>	Date	10/03/2025

ASPIRE_VIBHA_DFLMV-150X16X750

Colour

05.67=ML.WHITE LAVA MARBLE#BT5 (SUPPER MATT)
05.66=ML.WOOD OAK#BT4 (MATT WOODGRIN)
20.07=ML.WHITE #VM1012 18/18(MATT)

Edge

01.380=1 ML.WHITE LAVA MARBLE BT5
01.369=1 WOOD OAK (BT4)
01.47=1 WHITE

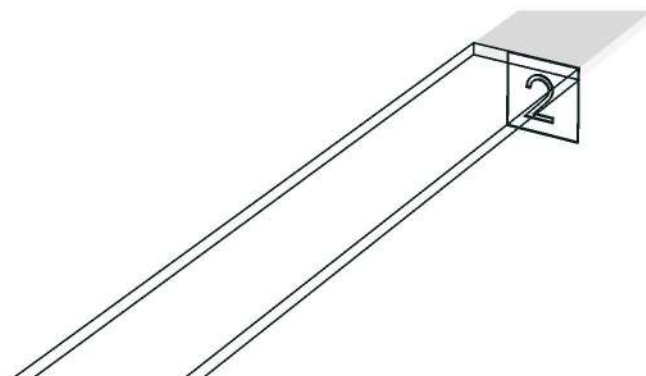
K301L 160159118

K302R 160159126



R&D REVIEW	
<input checked="" type="checkbox"/>	DWG.Customer
<input type="checkbox"/>	Work Report
<input type="checkbox"/>	Function
<input type="checkbox"/>	สินค้าตรงตัวอย่าง
ผู้ทบทวน <u>P.SAWA</u>	
_____/_____/_____	

Model	-ASPIRE_VIBHA_DFLMV		
Creator	SUTTHI.P	.BCP Name	INDEX_C3D_KITCHENPAE
Reviewer		Order	0002332
Approves	<i>P. SAWA</i>	Date	10/03/2025



Model	ASPIRE_VIBHA_DL15L		
Creator	SUTTHI.P	.BCP Name	INDEX_C3D_KITCHENPAE
Reviewer		Order	O002334
Approves	<i>P.SAWA</i>	Date	10/03/2025

ASPIRE_VIBHA_DL15L-150X350X750

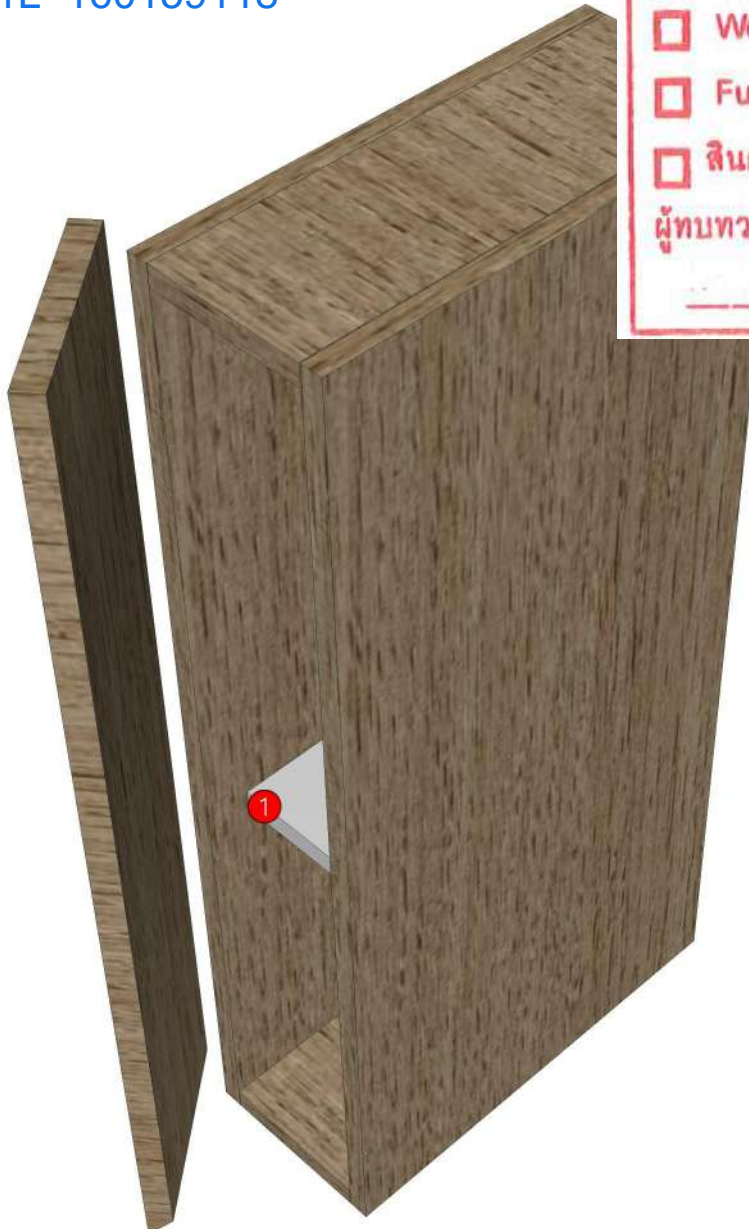
Colour

05.67=ML.WHITE LAVA MARBLE#BT5 (SUPPER MATT)
05.66=ML.WOOD OAK#BT4 (MATT WOODGRIN)
20.07=ML.WHITE #VM1012 18/18(MATT)

Edge

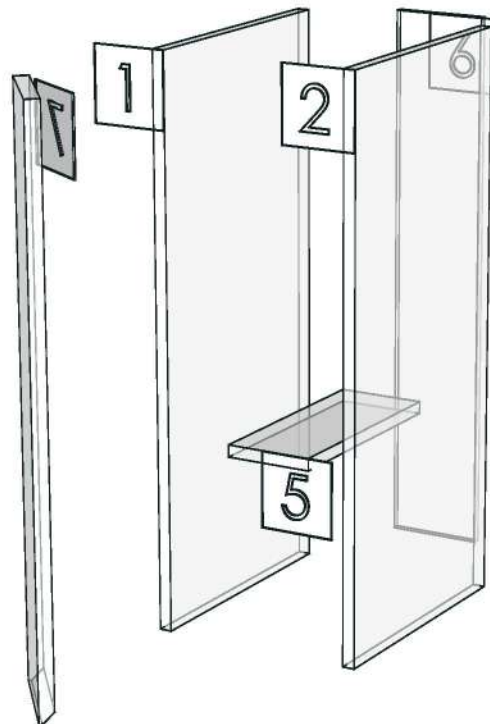
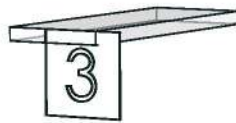
01.380=1 ML.WHITE LAVA MARBLE BT5
01.369=1 WOOD OAK (BT4)
01.47=1 WHITE

K301L 160159118



R&D REVIEW	
<input checked="" type="checkbox"/>	DWG.Customer
<input type="checkbox"/>	Work Report
<input type="checkbox"/>	Function
<input type="checkbox"/>	สินค้าตรงตัวอย่าง
ผู้ทบทวน <u>P.SAWA</u>	
____/____/____	

Model	-ASPIRE_VIBHA_DL15L		
Creator	SUTTHI.P	.BCP Name	INDEX_C3D_KITCHENPAE
Reviewer		Order	0002334
Approves	<i>P. SAWA</i>	Date	10/03/2025



Model	ASPIRE_VIBHA_DL60HRS		
Creator	SUTTHI.P	Name	INDEX_C3D_KITCHENPAE
Reviewer		Order	O001739
Approves	<i>P.SAWA</i>	Date	01/07/2024

ASPIRE_VIBHA_DL60HRS-600X350X555

Colour

05.67=ML.WHITE LAVA MARBLE#BT5 (SUPPER MATT)
05.66=ML.WOOD OAK#BT4 (MATT WOODGRIN)
20.07=ML.WHITE #VM1012 18/18(MATT)

Edge

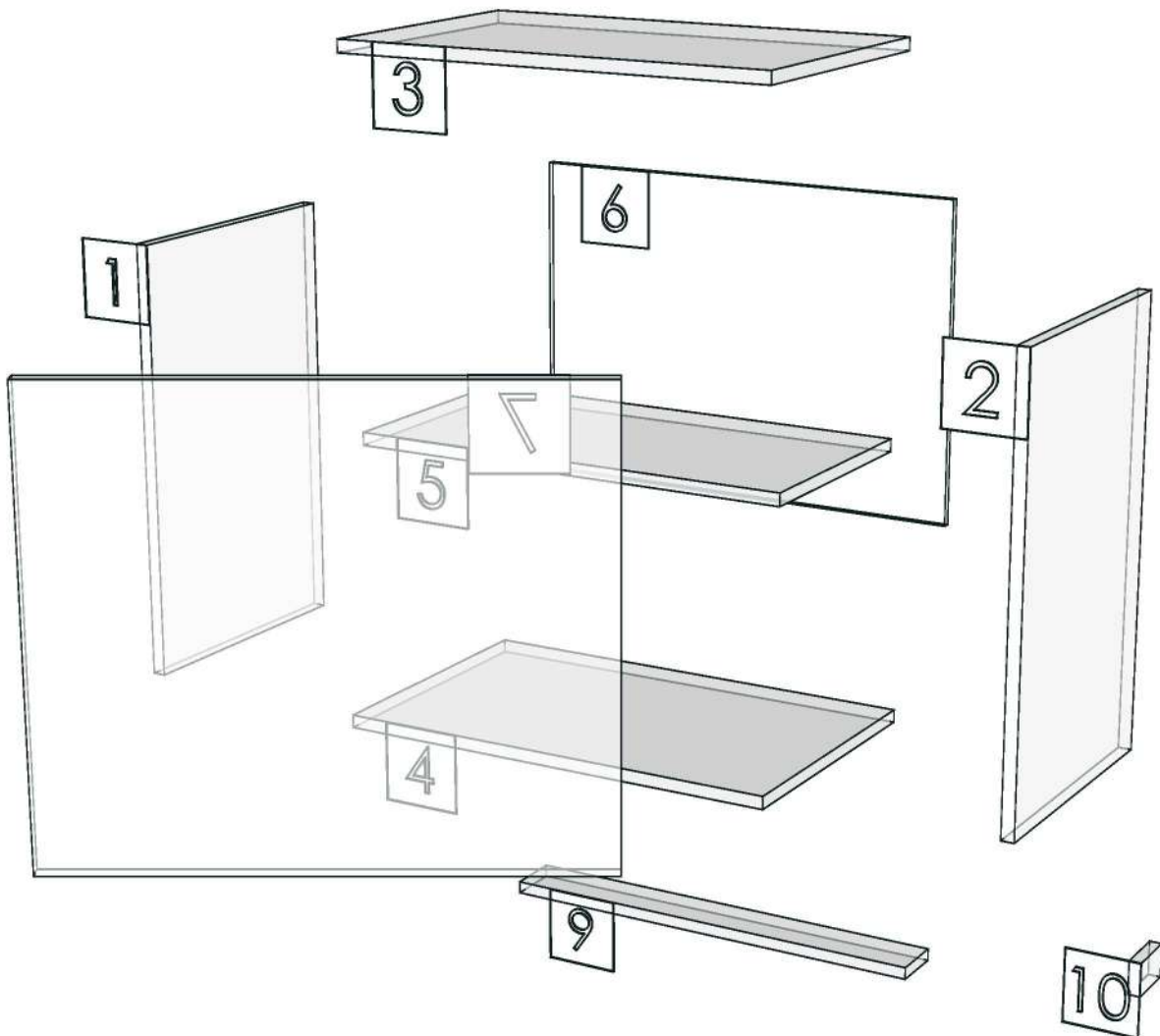
01.380=1 ML.WHITE LAVA MARBLE BT5
01.369=1 WOOD OAK (BT4)
01.47=1 WHITE

K100L 160148633

K301L 160159118



Model	-ASPIRE_VIBHA_DL60HRS		
Creator	SUTTHI.P	Name	INDEX_C3D_KITCHENPAE
Reviewer		Order	0001739
Approves	<i>P. SAWA</i>	Date	01/07/2024



Model	ASPIRE_VIBHA_DLOMV60		
Creator	SUTTHI.P	Name	INDEX_C3D_KITCHENPAE
Reviewer		Order	O001731
Approves	<i>P.SAWA</i>	Date	01/07/2024

ASPIRE_VIBHA_DLOMV60-600X400X750

Colour

05.67=ML.WHITE LAVA MARBLE#BT5 (SUPPER MATT)
05.66=ML.WOOD OAK#BT4 (MATT WOODGRIN)
20.07=ML.WHITE #VM1012 18/18(MATT)

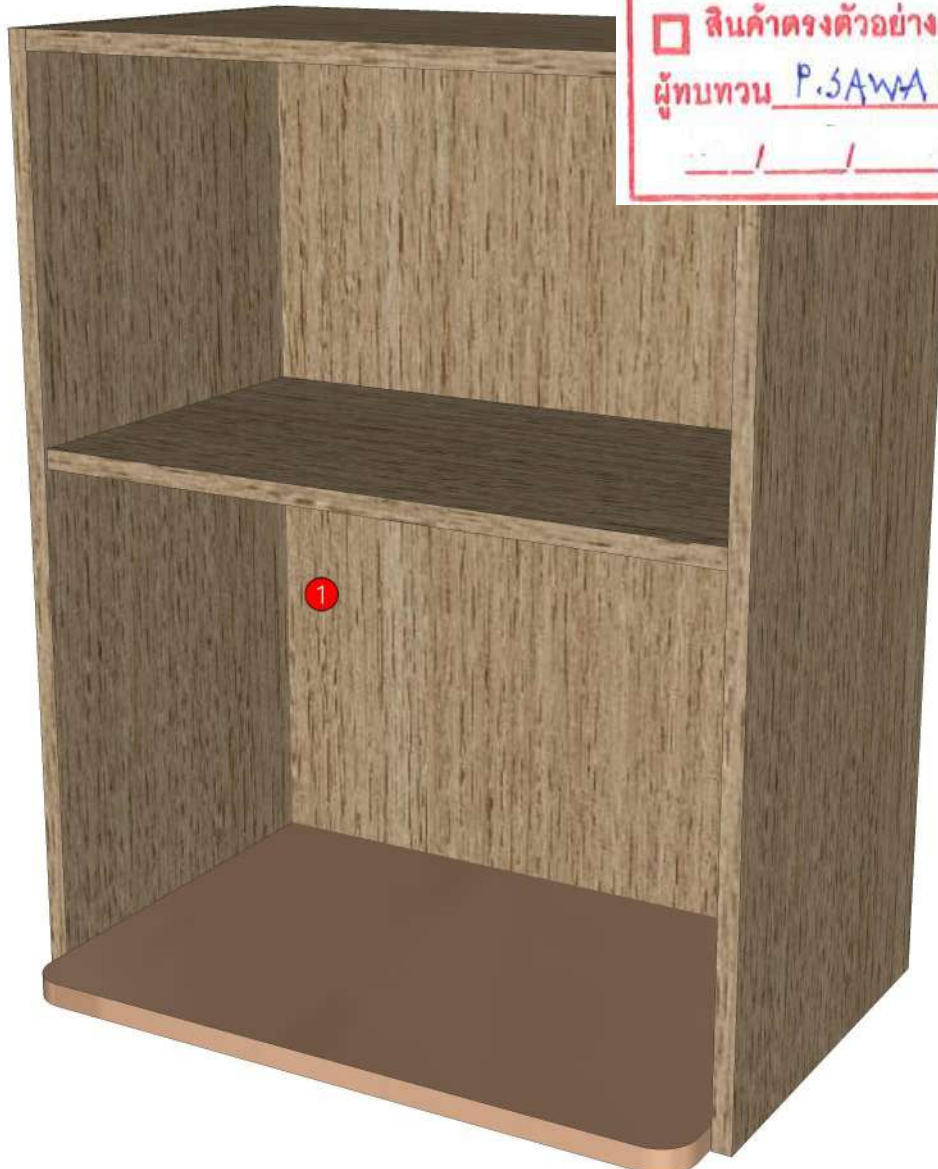
Edge

01.380=1 ML.WHITE LAVA MARBLE BT5
01.369=1 WOOD OAK (BT4)
01.47=1 WHITE

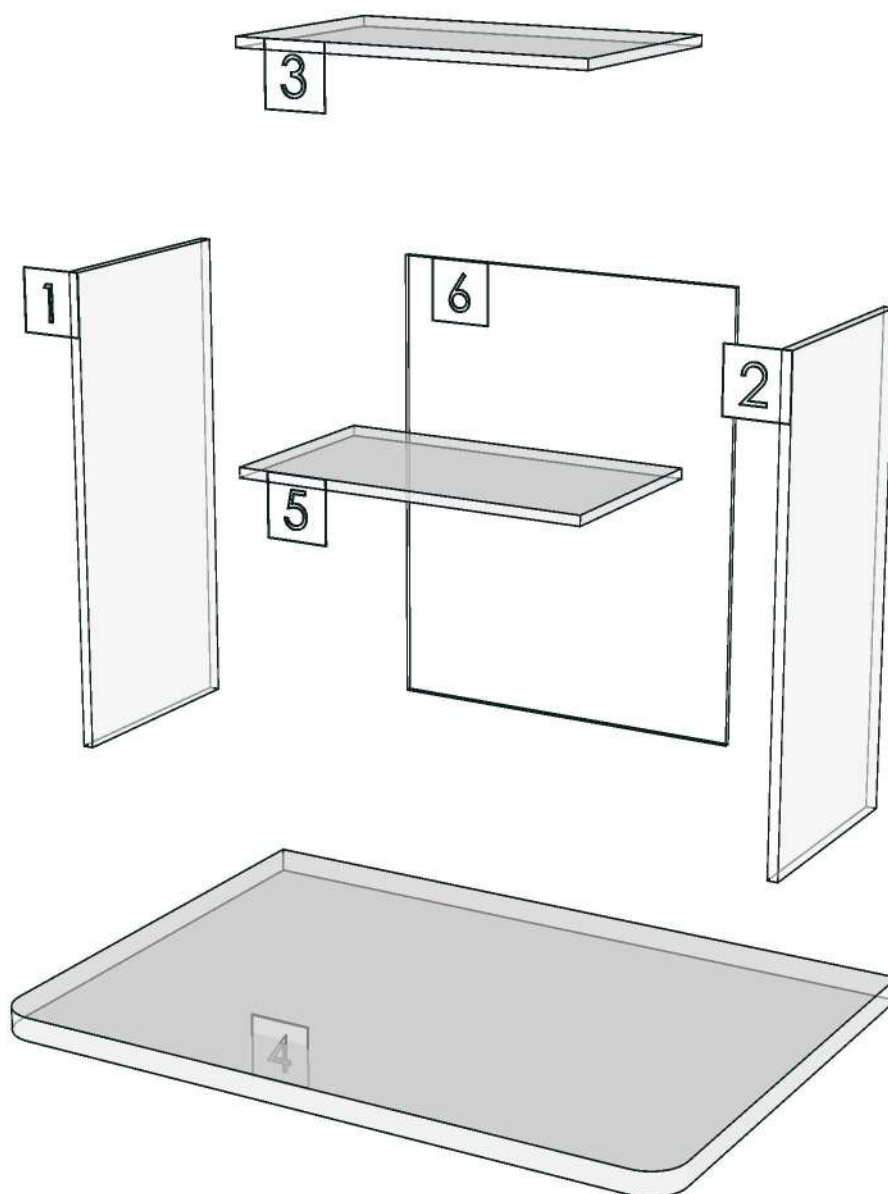
K100L 160148633
K100R 160126713
K101L 160148640
K101R 160148648
K102R 160148656

K301L 160159118
K302R 160159126

R&D REVIEW	
<input checked="" type="checkbox"/>	DWG.Customer
<input type="checkbox"/>	Work Report
<input type="checkbox"/>	Function
<input type="checkbox"/>	สินค้าตรงตัวอย่าง
ผู้ทบทวน <u>P.SAWA</u>	
____/____/____	



Model	-ASPIRE_VIBHA_DLOMV60		
Creator	SUTTHI.P	Name	INDEX_C3D_KITCHENPAE
Reviewer		Order	O001731
Approves	<i>P. SAWA</i>	Date	01/07/2024



Model	ASPIRE_VIBHA_DPLT_1450		
Creator	SUTTHI.P	Name	INDEX_C3D_KITCHENPAE
Reviewer		Order	O001751
Approves	<i>P.SAWA</i>	Date	02/07/2024

ASPIRE_VIBHA_DPLT_1450-1450X9X100

Colour

05.67=ML.WHITE LAVA MARBLE#BT5 (SUPPER MATT)
05.66=ML.WOOD OAK#BT4 (MATT WOODGRIN)
20.07=ML.WHITE #VM1012 18/18(MATT)

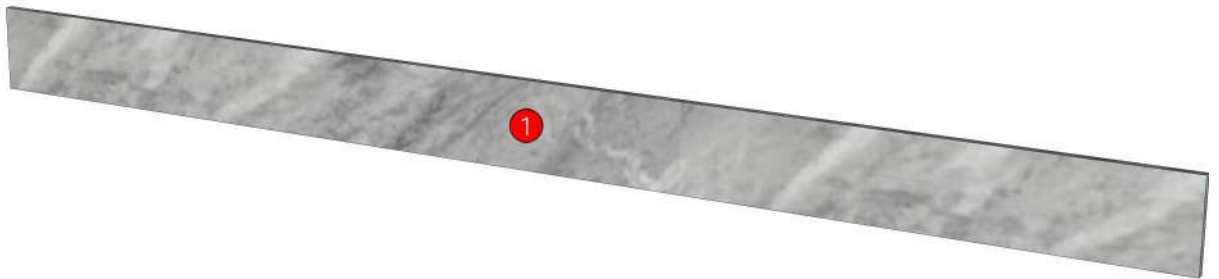
Edge

01.380=1 ML.WHITE LAVA MARBLE BT5
01.369=1 WOOD OAK (BT4)
01.47=1 WHITE

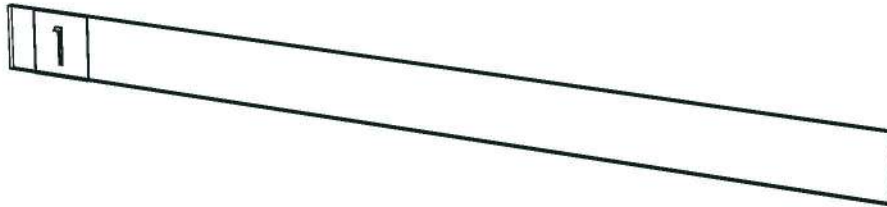
K106R 160148672

K301L 160159118

R&D REVIEW	
<input checked="" type="checkbox"/>	DWG.Customer
<input type="checkbox"/>	Work Report
<input type="checkbox"/>	Function
<input type="checkbox"/>	สินค้าตรงตัวอย่าง
ผู้ทบทวน <u>P.SAWA</u>	
____/____/____	



Model	-ASPIRE_VIBHA_DPLT_1450		
Creator	SUTTHI.P	Name	INDEX_C3D_KITCHENPAE
Reviewer		Order	0001751
Approves	P. SAWA	Date	02/07/2024



Model	ASPIRE_VIBHA_DPLT_600		
Creator	SUTTHI.P	Name	INDEX_C3D_KITCHENPAE
Reviewer		Order	O001752
Approves	P. SAWA	Date	02/07/2024

ASPIRE_VIBHA_DPLT_600-600X9X100

Colour

05.67=ML.WHITE LAVA MARBLE#BT5 (SUPPER MATT)
05.66=ML.WOOD OAK#BT4 (MATT WOODGRIN)
20.07=ML.WHITE #VM1012 18/18(MATT)

Edge

01.380=1 ML.WHITE LAVA MARBLE BT5
01.369=1 WOOD OAK (BT4)
01.47=1 WHITE

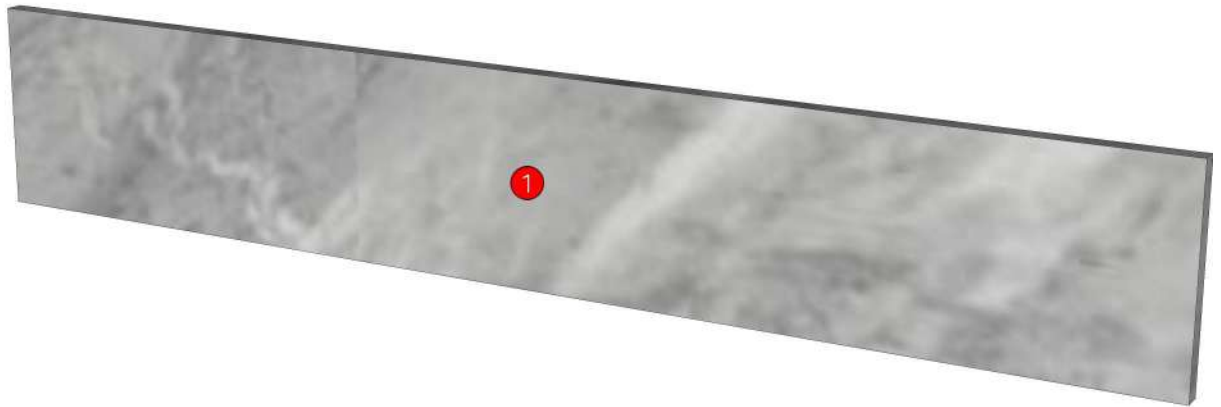
- | | |
|-----------------|-----------------|
| K100L 160148633 | K200L 160159076 |
| K100R 160126713 | K200R 160159083 |
| K101L 160148640 | K201L 160159090 |
| K101R 160148648 | K201R 160159097 |
| K102R 160148656 | K203R 160159111 |
| K103L 160146717 | K301L 160159118 |
| K105R 160148664 | K302R 160159126 |
| K106R 160148672 | |
| K107R 160148680 | |

R&D REVIEW

- DWG.Customer
- Work Report
- Function
- สินค้าตรงตัวอย่าง

ผู้ทบทวน P.SAWA

____/____/____



Model	-ASPIRE_VIBHA_DPLT_600		
Creator	SUTTHI.P	Name	INDEX_C3D_KITCHENPAE
Reviewer		Order	0001752
Approves	<i>P. SAWA</i>	Date	02/07/2024

