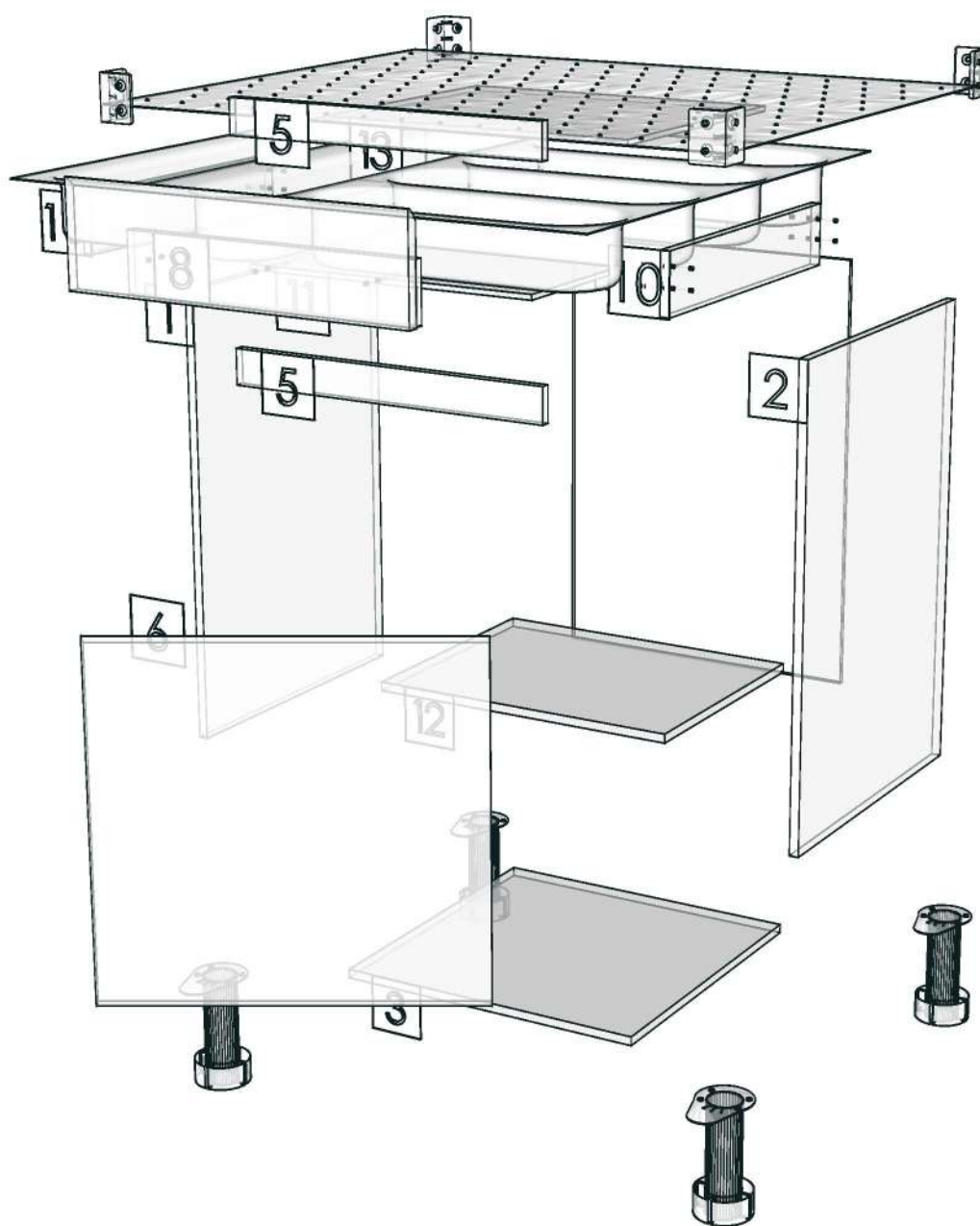


Model	-ASPIRE_VIBHA_DBH601R		
Creator	SUTTHI.P	.BCP Name	INDEX_C3D_KITCHENPAE
Reviewer		Order	0001723
Approves	<i>P. SAWA</i>	Date	25/06/2024



Model	ASPIRE_VIBHA_DBS60L		
Creator	SUTTHI.P	.BCP Name	INDEX_C3D_KITCHENPAE
Reviewer		Order	O001724
Approves	<i>P. SAWA I</i>	Date	25/06/2024

ASPIRE_VIBHA_DBS60L-600X570X813

Colour

05.67=ML.WHITE LAVA MARBLE#BT5 (SUPPER MATT)
05.66=ML.WOOD OAK#BT4 (MATT WOODGRIN)
20.07=ML.WHITE #VM1012 18/18(MATT)

Edge

01.380=1 ML.WHITE LAVA MARBLE BT5
01.369=1 WOOD OAK (BT4)
01.47=1 WHITE

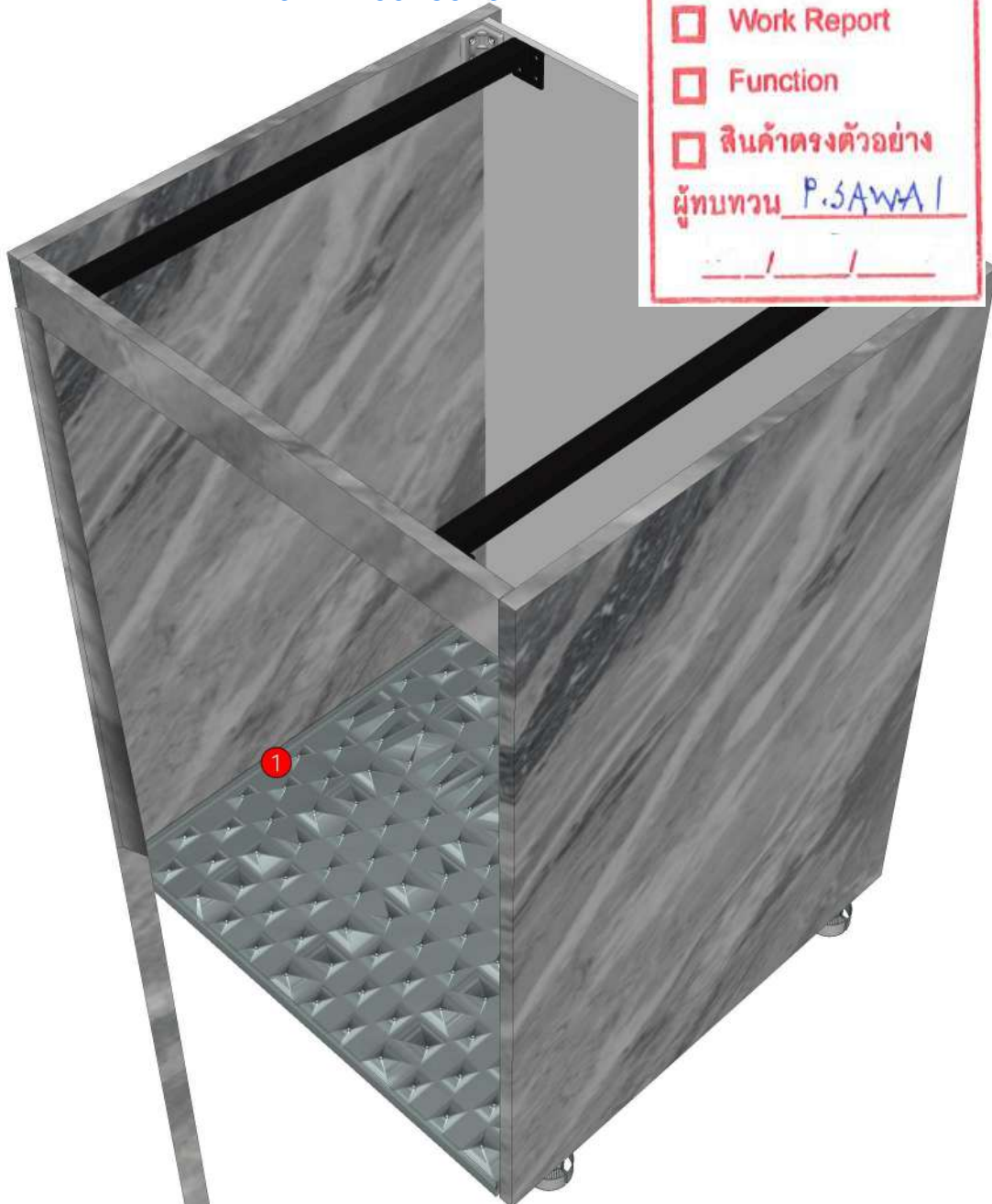
K100L 160148633 K200L 160159076
K101L 160148640 K201L 160159090
K202L 160159104

R&D REVIEW

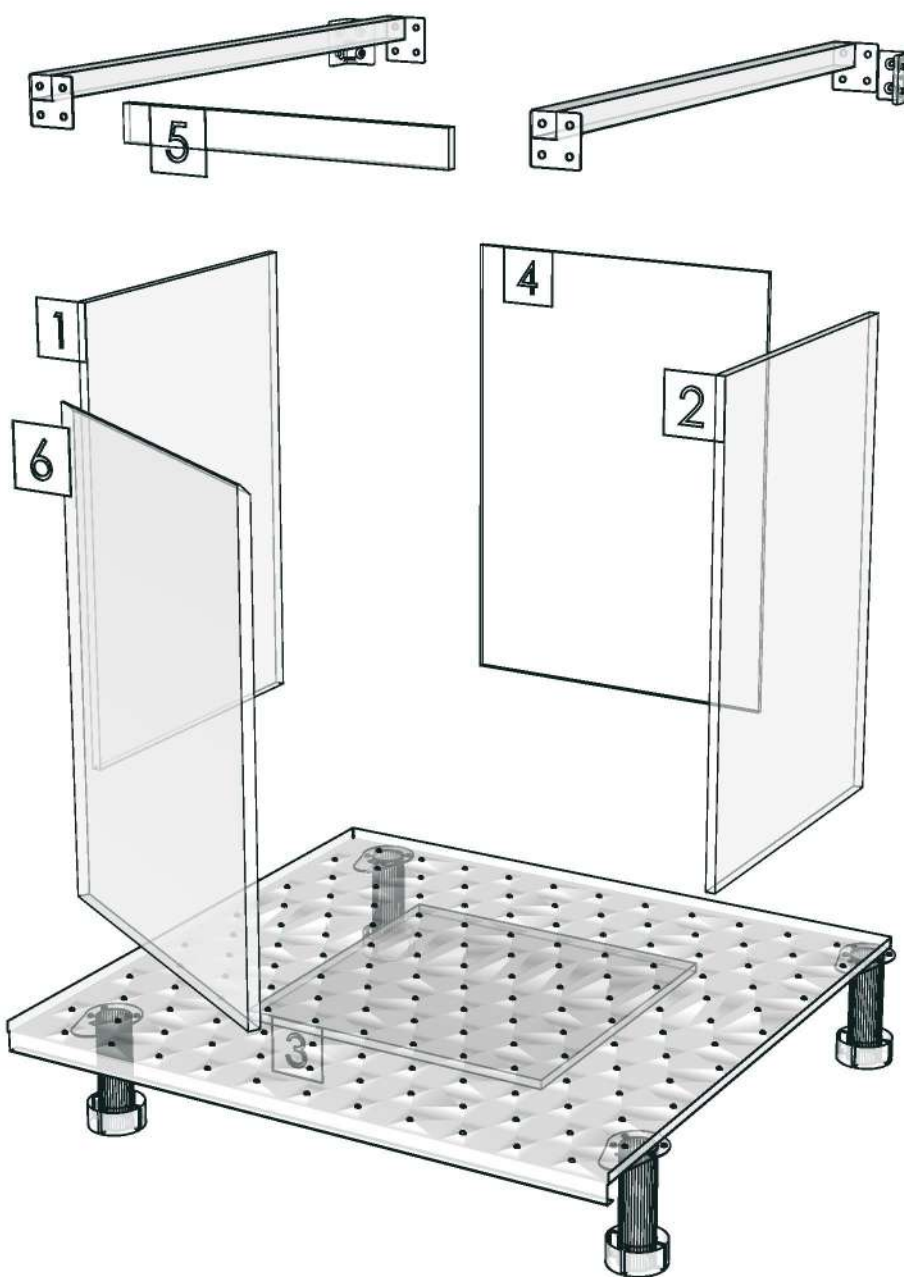
- DWG.Customer
- Work Report
- Function
- สินค้าตรงตัวอย่าง

ผู้ทบทวน P.SAWA I

_____/_____/_____



Model	-ASPIRE_VIBHA_DBS60L		
Creator	SUTTHI.P	.BCP Name	INDEX_C3D_KITCHENPAE
Reviewer		Order	O001724
Approves	<i>P. SAWA</i>	Date	25/06/2024



Model	ASPIRE_VIBHA_DDM_750		
Creator	SUTTHI.P	.BCP Name	INDEX_C3D_KITCHENPAE
Reviewer		Order	O002343
Approves	P. SAWA I	Date	11/03/2025

ASPIRE_VIBHA_DDM_750-750X16X150

Colour

05.67=ML.WHITE LAVA MARBLE#BT5 (SUPPER MATT)

05.66=ML.WOOD OAK#BT4 (MATT WOODGRIN)

20.07=ML.WHITE #VM1012 18/18(MATT)

Edge

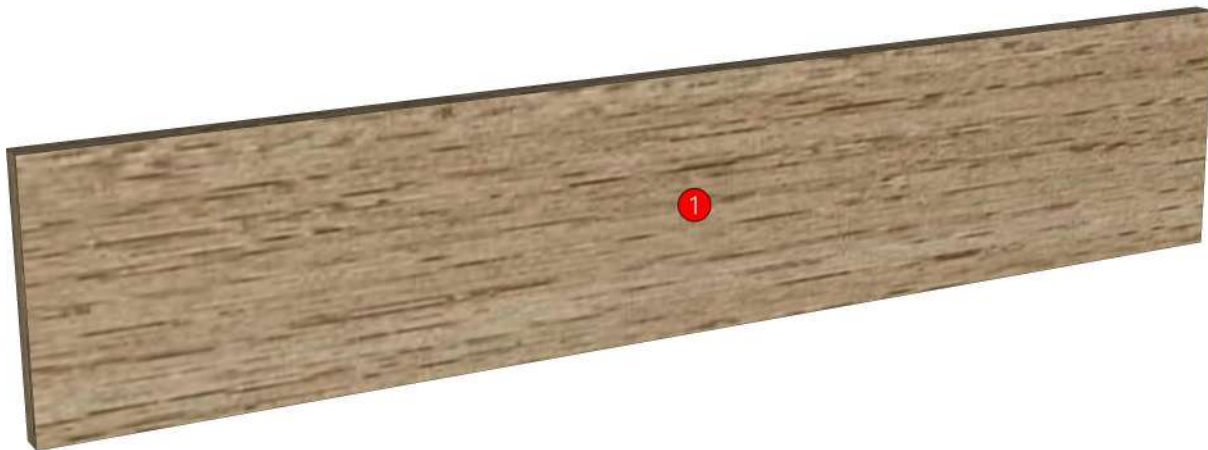
01.380=1 ML.WHITE LAVA MARBLE BT5

01.369=1 WOOD OAK (BT4)

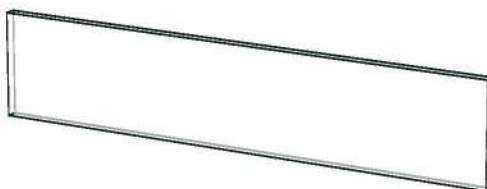
01.47=1 WHITE

K202L 160159104

R&D REVIEW	
<input checked="" type="checkbox"/>	DWG.Customer
<input type="checkbox"/>	Work Report
<input type="checkbox"/>	Function
<input type="checkbox"/>	สินค้าตรงตัวอย่าง
ผู้ทบทวน <u>P.SAWA I</u>	
_____/_____/____	



Model	-ASPIRE_VIBHA_DDM_750		
Creator	SUTTHI.P	.BCP Name	INDEX_C3D_KITCHENPAE
Reviewer		Order	0002343
Approves	<i>P. SAWA</i>	Date	11/03/2025



Model	ASPIRE_VIBHA_DFB		
Creator	SUTTHI.P	Name	INDEX_C3D_KITCHENPAE
Reviewer		Order	O001746
Approves	<i>P.SAWA</i>	Date	02/07/2024

ASPIRE_VIBHA_DFB-150X16X813

Colour

05.67=ML.WHITE LAVA MARBLE#BT5 (SUPPER MATT)
05.66=ML.WOOD OAK#BT4 (MATT WOODGRIN)
20.07=ML.WHITE #VM1012 18/18(MATT)

Edge

01.380=1 ML.WHITE LAVA MARBLE BT5
01.369=1 WOOD OAK (BT4)
01.47=1 WHITE

K101L 160148640

K101R 160148648

K106R 160148672

K201L 160159090

K201R 160159097

K202L 160159104

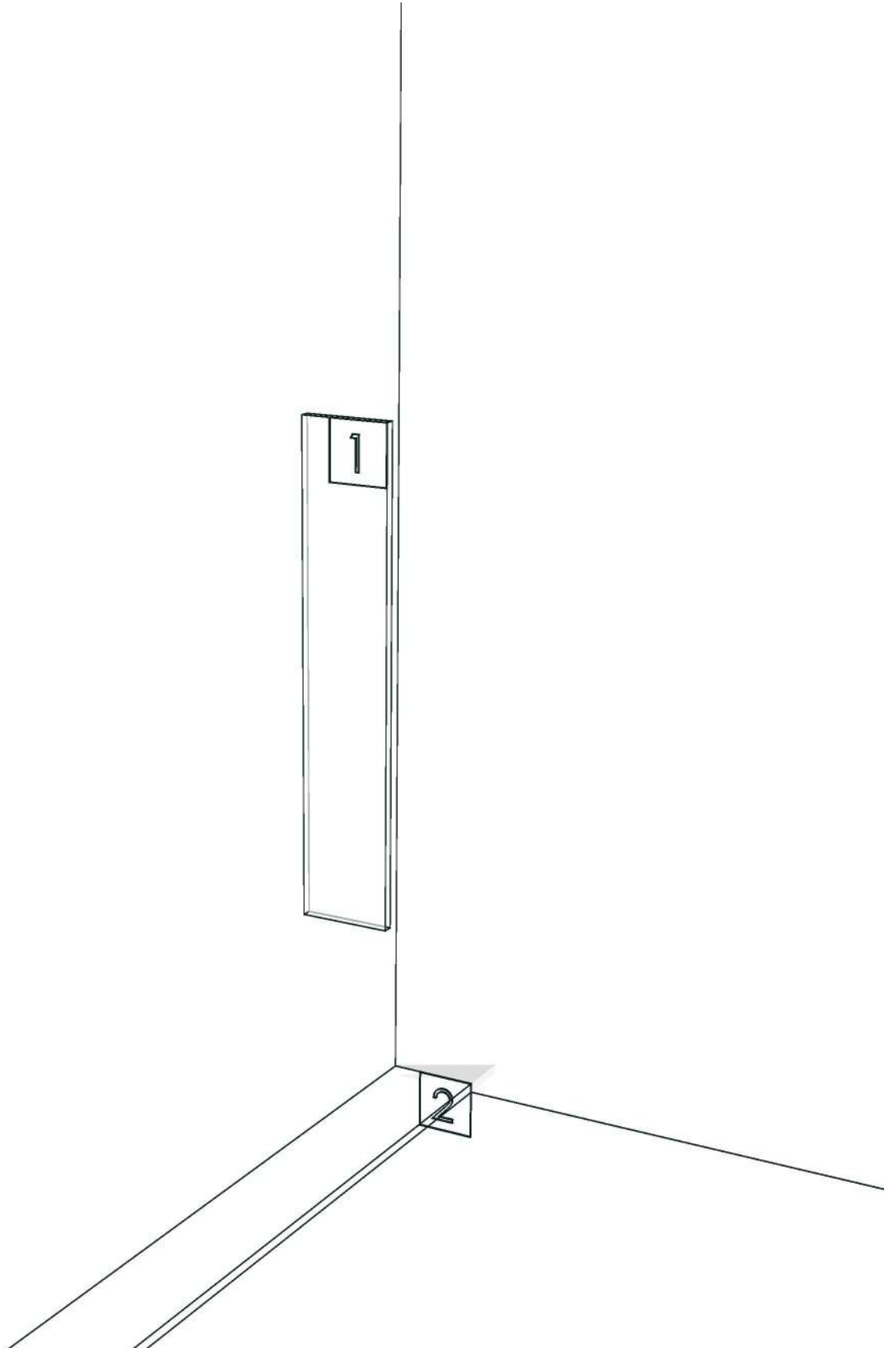
K301L 160159118

K302R 160159126

R&D REVIEW	
<input checked="" type="checkbox"/>	DWG.Customer
<input type="checkbox"/>	Work Report
<input type="checkbox"/>	Function
<input type="checkbox"/>	สินค้าตรงตัวอย่าง
ผู้ทบทวน <u>P.SAWA</u>	
_____/_____/____	



Model	-ASPIRE_VIBHA_DFB		
Creator	SUTTHI.P	Name	INDEX_C3D_KITCHENPAE
Reviewer		Order	0001746
Approves	<i>P. SAWA</i>	Date	02/07/2024



Model	ASPIRE_VIBHA_DFCL_1500		
Creator	SUTTHI.P	.BCP Name	INDEX_C3D_KITCHENPAE
Reviewer		Order	O002346
Approves	<i>P. SAWA</i>	Date	11/03/2025

ASPIRE_VIBHA_DFCL_1500-1500X16X105

Colour

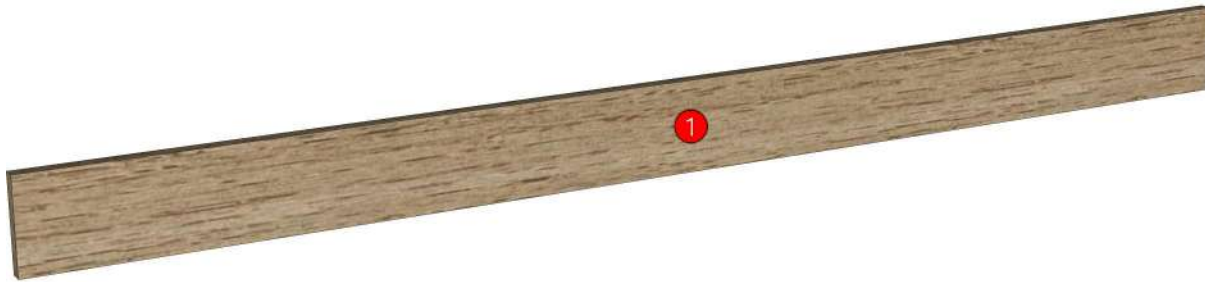
05.67=ML.WHITE LAVA MARBLE#BT5 (SUPPER MATT)
05.66=ML.WOOD OAK#BT4 (MATT WOODGRIN)
20.07=ML.WHITE #VM1012 18/18(MATT)

Edge

01.380=1 ML.WHITE LAVA MARBLE BT5
01.369=1 WOOD OAK (BT4)
01.47=1 WHITE

K202L 160159104

R&D REVIEW	
<input checked="" type="checkbox"/>	DWG.Customer
<input type="checkbox"/>	Work Report
<input type="checkbox"/>	Function
<input type="checkbox"/>	สินค้าตรงตัวอย่าง
ผู้ทบทวน <u>P.SAWA</u>	
____/____/____	



Model	-ASPIRE_VIBHA_DFCL_1500		
Creator	SUTTHI.P	.BCP Name	INDEX_C3D_KITCHENPAE
Reviewer		Order	0002346
Approves	P. SAWA	Date	11/03/2025



Model	ASPIRE_VIBHA_DFL1MV		
Creator	SUTTHI.P	.BCP Name	INDEX_C3D_KITCHENPAE
Reviewer		Order	O002333
Approves	<i>P.SAWA</i>	Date	10/03/2025

ASPIRE_VIBHA_DFL1MV-150X16X650

Colour

05.67=ML.WHITE LAVA MARBLE#BT5 (SUPPER MATT)
05.66=ML.WOOD OAK#BT4 (MATT WOODGRIN)
20.07=ML.WHITE #VM1012 18/18(MATT)

Edge

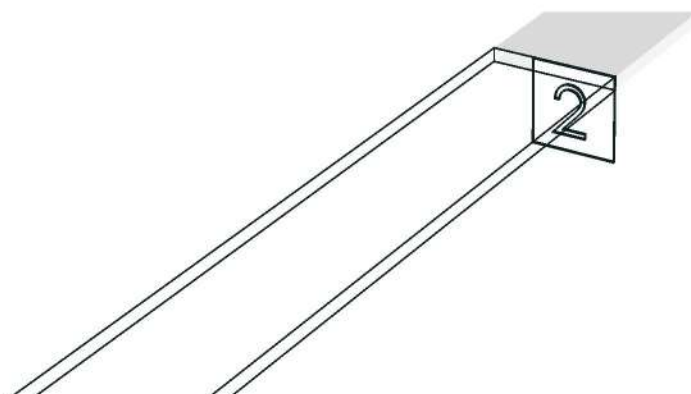
01.380=1 ML.WHITE LAVA MARBLE BT5
01.369=1 WOOD OAK (BT4)
01.47=1 WHITE

K202L 160159104



R&D REVIEW	
<input checked="" type="checkbox"/>	DWG.Customer
<input type="checkbox"/>	Work Report
<input type="checkbox"/>	Function
<input type="checkbox"/>	สินค้าตรงตัวอย่าง
ผู้ทบทวน <u>P.SAWA</u>	
_____/_____/____	

Model	-ASPIRE_VIBHA_DFL1MV		
Creator	SUTTHI.P	.BCP Name	INDEX_C3D_KITCHENPAE
Reviewer		Order	0002333
Approves	<i>P. SAWA</i>	Date	10/03/2025



Model	ASPIRE_VIBHA_DFLH		
Creator	SUTTHI.P	.BCP Name	INDEX_C3D_KITCHENPAE
Reviewer		Order	O002331
Approves	<i>P.SAWA</i>	Date	10/03/2025

ASPIRE_VIBHA_DFLH-150X16X500

Colour

05.67=ML.WHITE LAVA MARBLE#BT5 (SUPPER MATT)
05.66=ML.WOOD OAK#BT4 (MATT WOODGRIN)
20.07=ML.WHITE #VM1012 18/18(MATT)

Edge

01.380=1 ML.WHITE LAVA MARBLE BT5
01.369=1 WOOD OAK (BT4)
01.47=1 WHITE

K201L 160159090

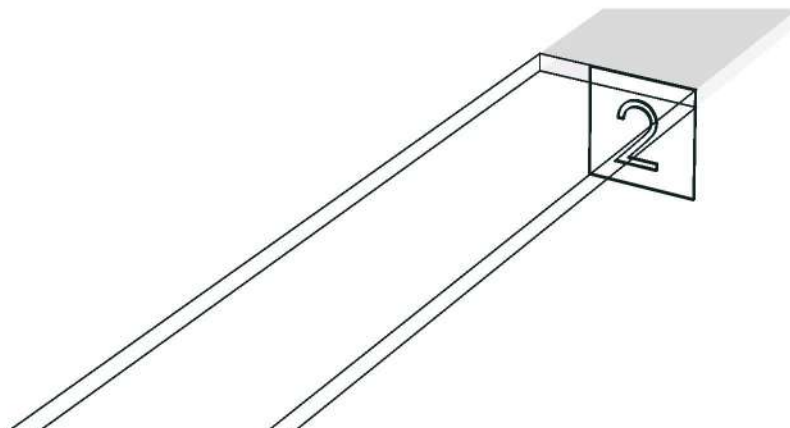
K201R 160159097

K202L 160159104

R&D REVIEW	
<input checked="" type="checkbox"/>	DWG.Customer
<input type="checkbox"/>	Work Report
<input type="checkbox"/>	Function
<input type="checkbox"/>	สินค้าตรงตัวอย่าง
ผู้ทบทวน <u>P.SAWA</u>	
____/____/____	



Model	-ASPIRE_VIBHA_DFLH		
Creator	SUTTHI.P	.BCP Name	INDEX_C3D_KITCHENPAE
Reviewer		Order	0002331
Approves	<i>P. SAWA</i>	Date	10/03/2025



Model	ASPIRE_VIBHA_DL60H1R		
Creator	SUTTHI.P	.BCP Name	INDEX_C3D_KITCHENPAE
Reviewer		Order	O002337
Approves	<i>P.SAWA</i>	Date	10/03/2025

ASPIRE_VIBHA_DL60H1R-600X350X455

Colour

05.67=ML.WHITE LAVA MARBLE#BT5 (SUPPER MATT)

05.66=ML.WOOD OAK#BT4 (MATT WOODGRIN)

20.07=ML.WHITE #VM1012 18/18(MATT)

Edge

01.380=1 ML.WHITE LAVA MARBLE BT5

01.369=1 WOOD OAK (BT4)

01.47=1 WHITE

K201L 160159090

K202L 160159104

R&D REVIEW

DWG.Customer

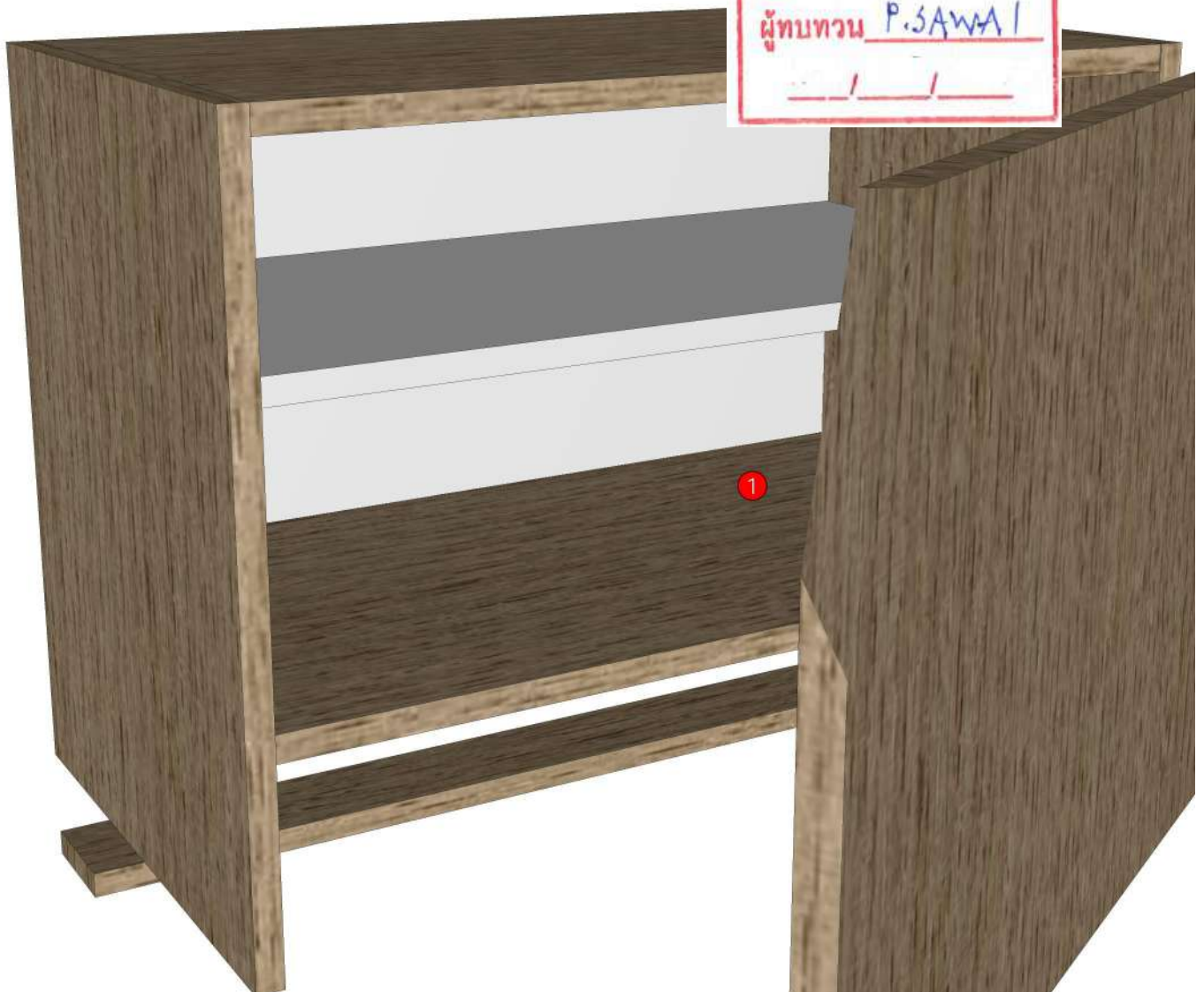
Work Report

Function

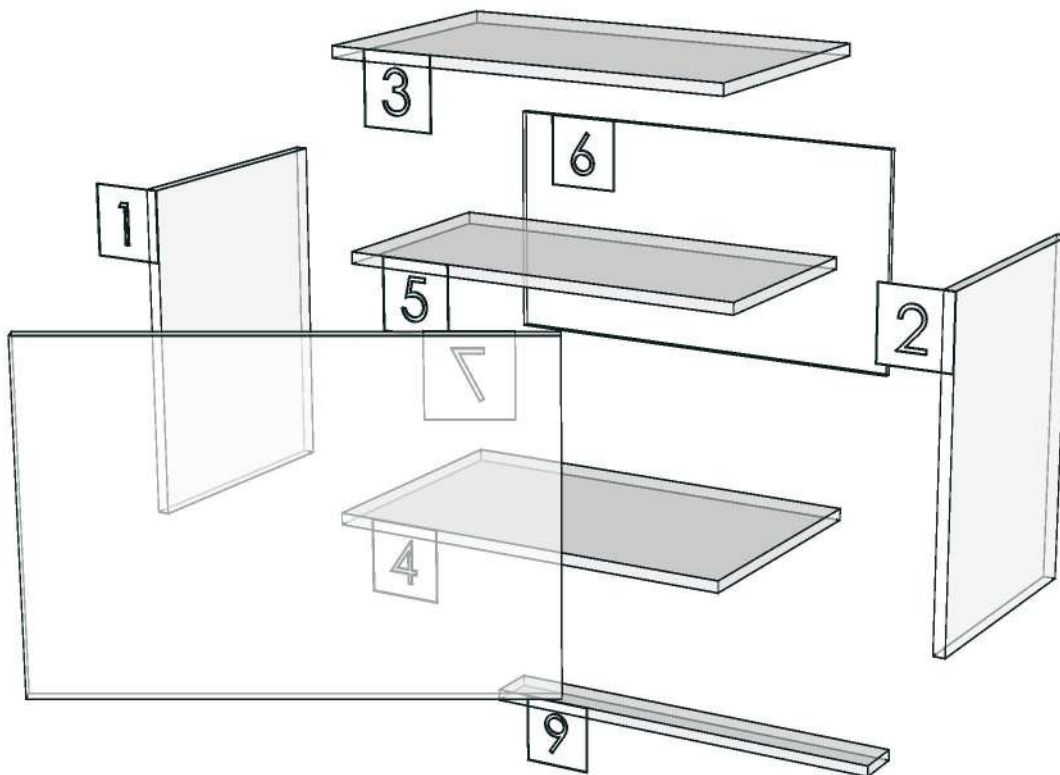
สินค้าตรงตัวอย่าง

ผู้ทบทวน P.SAWA

____/____/____



Model	-ASPIRE_VIBHA_DL60H1R		
Creator	SUTTHI.P	.BCP Name	INDEX_C3D_KITCHENPAE
Reviewer		Order	O002337
Approves	<i>P. SAWA</i>	Date	10/03/2025



Model	ASPIRE_VIBHA_DLOMV60H		
Creator	SUTTHI.P	.BCP Name	INDEX_C3D_KITCHENPAE
Reviewer		Order	O002327
Approves	<i>P. SAWA</i>	Date	05/03/2025

ASPIRE_VIBHA_DLOMV60H-600X350X650

Colour

05.67=ML.WHITE LAVA MARBLE#BT5 (SUPPER MATT)
05.66=ML.WOOD OAK#BT4 (MATT WOODGRIN)
20.07=ML.WHITE #VM1012 18/18(MATT)

Edge

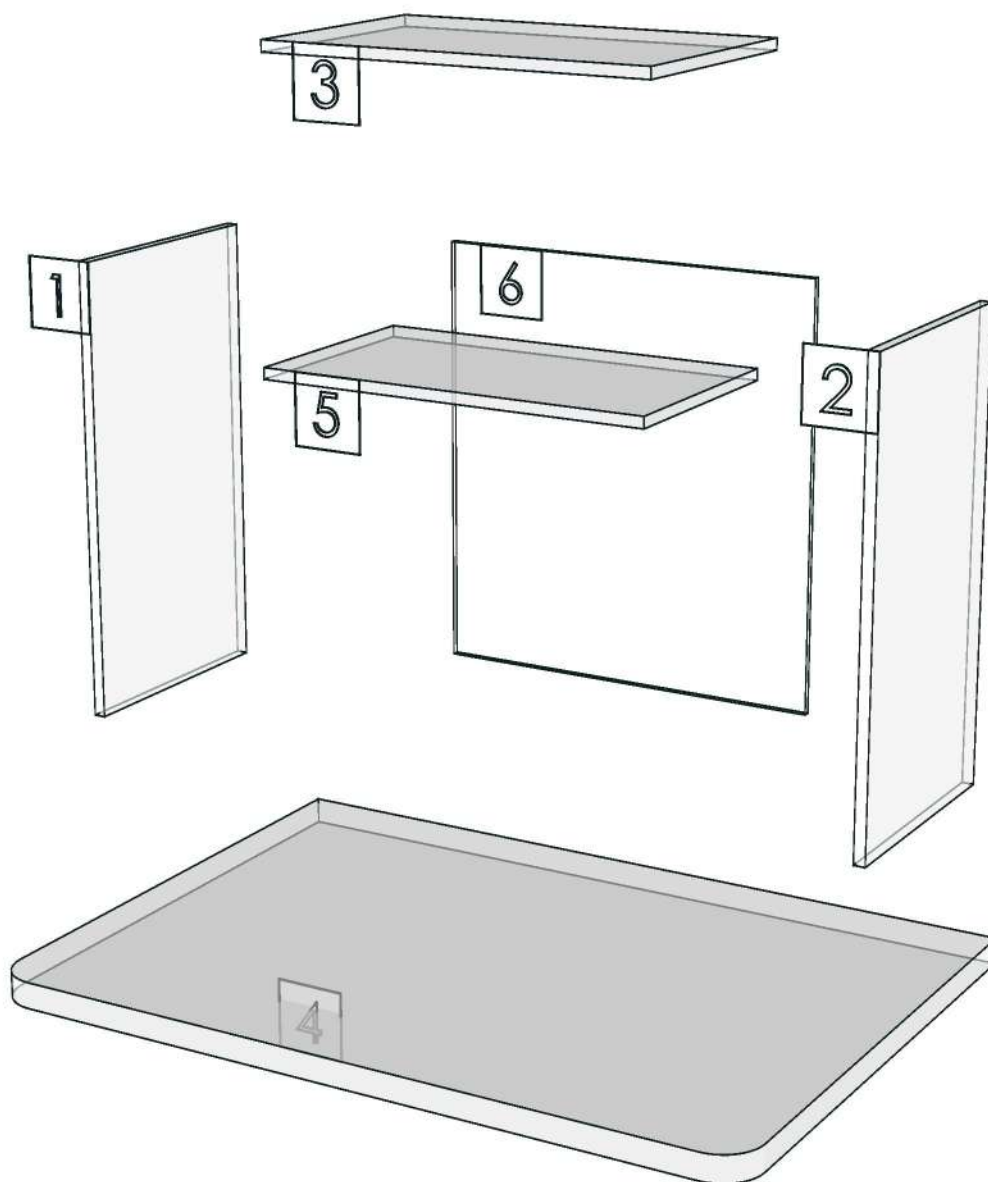
01.380=1 ML.WHITE LAVA MARBLE BT5
01.369=1 WOOD OAK (BT4)
01.47=1 WHITE

K200L 160159076 K202L 160159104
K200R 160159083 K203R 160159111
K201L 160159090
K201R 160159097

R&D REVIEW	
<input checked="" type="checkbox"/>	DWG.Customer
<input type="checkbox"/>	Work Report
<input type="checkbox"/>	Function
<input type="checkbox"/>	สินค้าตรงตัวอย่าง
ผู้ทบทวน <u>P.SAWA</u>	
_____/_____/_____	



Model	-ASPIRE_VIBHA_DLOMV60H		
Creator	SUTTHI.P	.BCP Name	INDEX_C3D_KITCHENPAE
Reviewer		Order	0002327
Approves	<i>P. SAWA</i>	Date	05/03/2025



Model	ASPIRE_VIBHA_DPLT_1500		
Creator	SUTTHI.P	.BCP Name	INDEX_C3D_KITCHENPAE
Reviewer		Order	O002340
Approves	<i>P. SAWA</i>	Date	10/03/2025

ASPIRE_VIBHA_DPLT_1500-1500X9X100

Colour

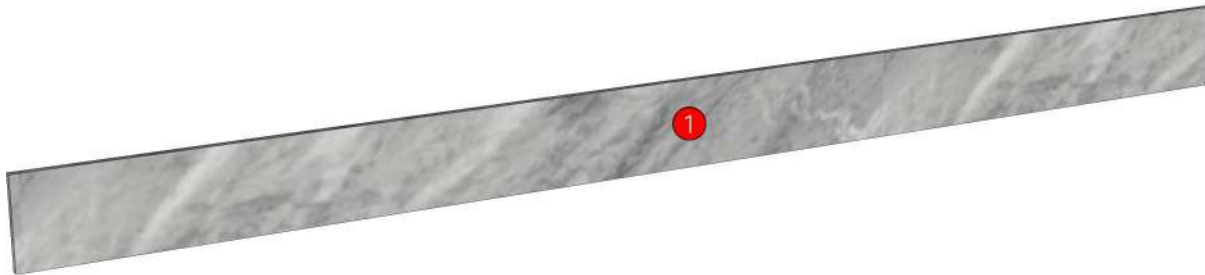
05.67=ML.WHITE LAVA MARBLE#BT5 (SUPPER MATT)
05.66=ML.WOOD OAK#BT4 (MATT WOODGRIN)
20.07=ML.WHITE #VM1012 18/18(MATT)

Edge

01.380=1 ML.WHITE LAVA MARBLE BT5
01.369=1 WOOD OAK (BT4)
01.47=1 WHITE

K202L 160159104

R&D REVIEW	
<input checked="" type="checkbox"/>	DWG.Customer
<input type="checkbox"/>	Work Report
<input type="checkbox"/>	Function
<input type="checkbox"/>	สินค้าตรงตัวอย่าง
ผู้ทบทวน <u>P.SAWA</u>	
____/____/____	



Model	-ASPIRE_VIBHA_DPLT_1500		
Creator	SUTTHI.P	.BCP Name	INDEX_C3D_KITCHENPAE
Reviewer		Order	0002340
Approves	P. SAWA	Date	10/03/2025

