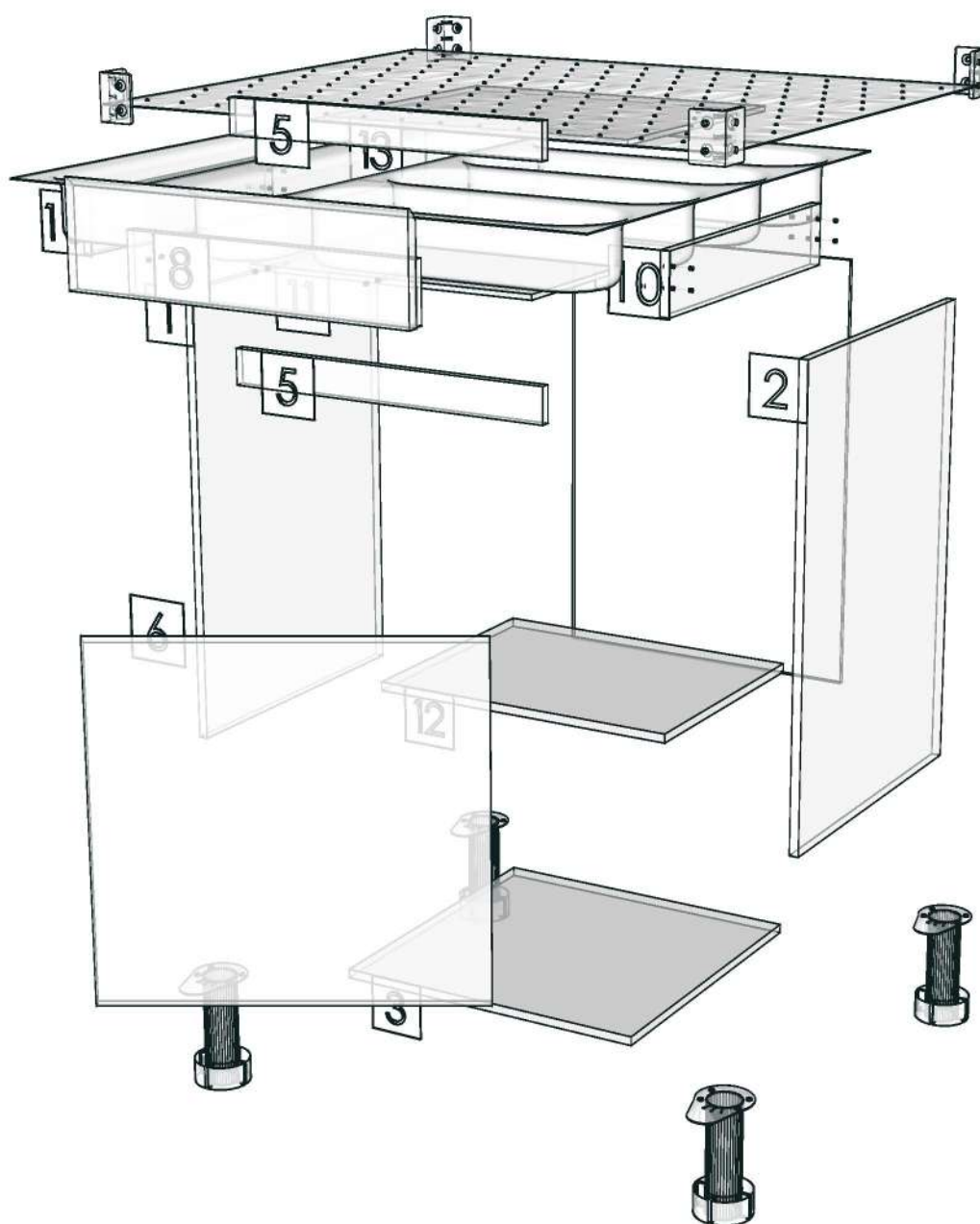




|                 |                       |                  |                      |
|-----------------|-----------------------|------------------|----------------------|
| <b>Model</b>    | -ASPIRE_VIBHA_DBH601R |                  |                      |
| <b>Creator</b>  | SUTTHI.P              | <b>.BCP Name</b> | INDEX_C3D_KITCHENPAE |
| <b>Reviewer</b> |                       | <b>Order</b>     | 0001723              |
| <b>Approves</b> | <i>P. SAWA</i>        | <b>Date</b>      | 25/06/2024           |



|                 |                     |                  |                      |
|-----------------|---------------------|------------------|----------------------|
| <b>Model</b>    | ASPIRE_VIBHA_DBS60L |                  |                      |
| <b>Creator</b>  | SUTTHI.P            | <b>.BCP Name</b> | INDEX_C3D_KITCHENPAE |
| <b>Reviewer</b> |                     | <b>Order</b>     | O001724              |
| <b>Approves</b> | <i>P.SAWA I</i>     | <b>Date</b>      | 25/06/2024           |

## **ASPIRE\_VIBHA\_DBS60L-600X570X813**

**Colour**

05.67=ML.WHITE LAVA MARBLE#BT5 (SUPPER MATT)  
05.66=ML.WOOD OAK#BT4 (MATT WOODGRIN)  
20.07=ML.WHITE #VM1012 18/18(MATT)

**Edge**

01.380=1 ML.WHITE LAVA MARBLE BT5  
01.369=1 WOOD OAK (BT4)  
01.47=1 WHITE

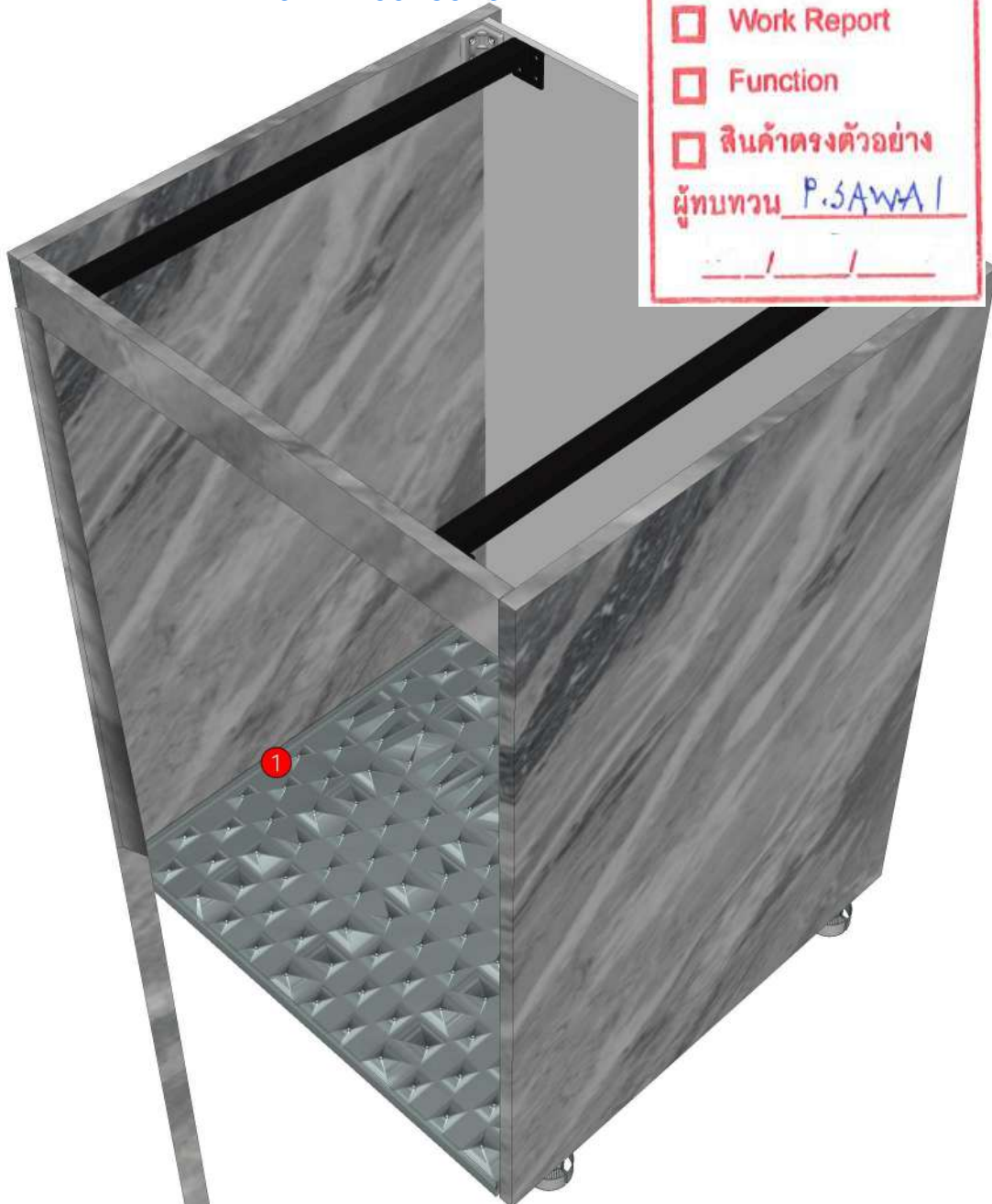
**K100L 160148633      K200L 160159076**  
**K101L 160148640      K201L 160159090**  
**K202L 160159104**

**R&D REVIEW**

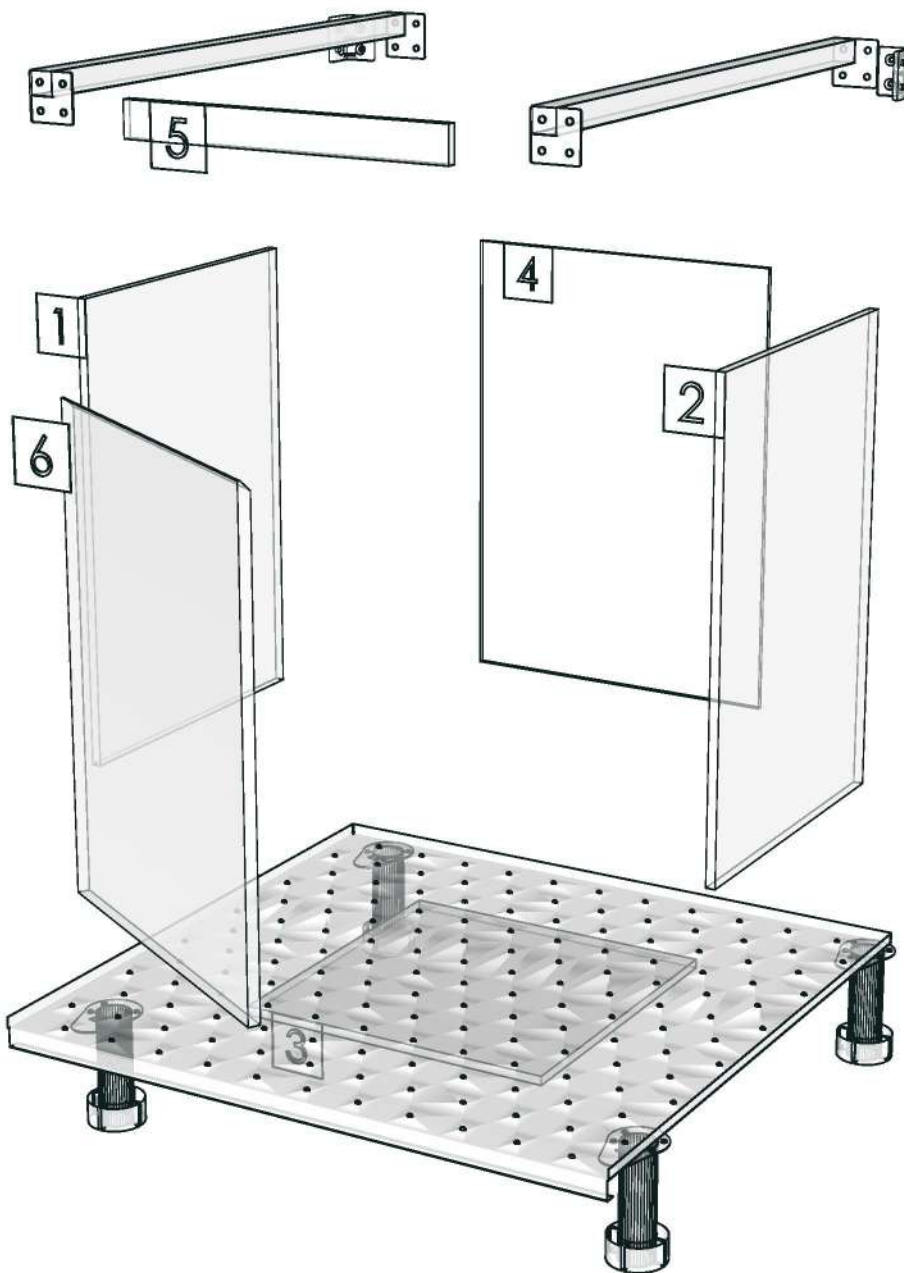
- DWG.Customer
- Work Report
- Function
- สินค้าตรงตัวอย่าง

ผู้ทบทวน P.SAWA I

\_ / \_ / \_



|                 |                      |                  |                      |
|-----------------|----------------------|------------------|----------------------|
| <b>Model</b>    | -ASPIRE_VIBHA_DBS60L |                  |                      |
| <b>Creator</b>  | SUTTHI.P             | <b>.BCP Name</b> | INDEX_C3D_KITCHENPAE |
| <b>Reviewer</b> |                      | <b>Order</b>     | O001724              |
| <b>Approves</b> | <i>P. SAWA</i>       | <b>Date</b>      | 25/06/2024           |



|                 |                      |              |                      |
|-----------------|----------------------|--------------|----------------------|
| <b>Model</b>    | ASPIRE_VIBHA_DDM_700 |              |                      |
| <b>Creator</b>  | SUTTHI.P             | <b>Name</b>  | INDEX_C3D_KITCHENPAE |
| <b>Reviewer</b> |                      | <b>Order</b> | O001741              |
| <b>Approves</b> | <i>P.SAWA</i>        | <b>Date</b>  | 02/07/2024           |

## **ASPIRE\_VIBHA\_DDM\_700-700X16X150**

### **Colour**

05.67=ML.WHITE LAVA MARBLE#BT5 (SUPPER MATT)  
05.66=ML.WOOD OAK#BT4 (MATT WOODGRIN)  
20.07=ML.WHITE #VM1012 18/18(MATT)

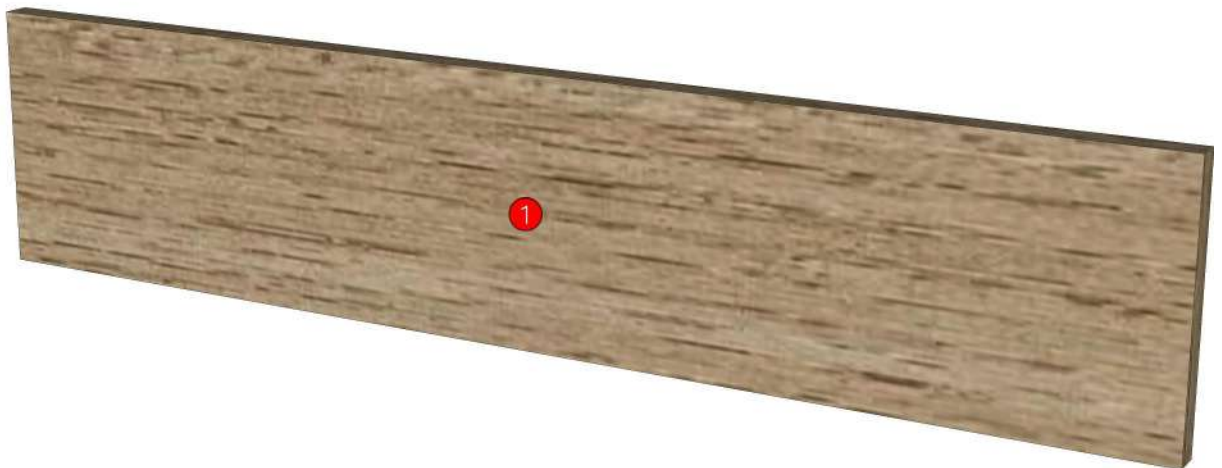
### **Edge**

01.380=1 ML.WHITE LAVA MARBLE BT5  
01.369=1 WOOD OAK (BT4)  
01.47=1 WHITE

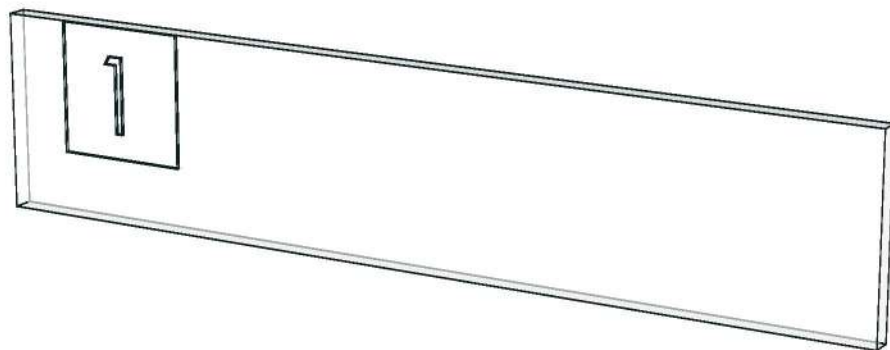
**K101L 160148640**  
**K101R 160148648**  
**K102R 160148656**  
**K103L 160146717**  
**K106R 160148672**  
**K107R 160148680**

**K201L 160159090**  
**K201R 160159097**  
**K203R 160159111**

|                                     |                   |
|-------------------------------------|-------------------|
| <b>R&amp;D REVIEW</b>               |                   |
| <input checked="" type="checkbox"/> | DWG.Customer      |
| <input type="checkbox"/>            | Work Report       |
| <input type="checkbox"/>            | Function          |
| <input type="checkbox"/>            | สินค้าตรงตัวอย่าง |
| ผู้ทบทวน <u>P.SAWA</u>              |                   |
| ____/____/____                      |                   |



|                 |                       |              |                      |
|-----------------|-----------------------|--------------|----------------------|
| <b>Model</b>    | -ASPIRE_VIBHA_DDM_700 |              |                      |
| <b>Creator</b>  | SUTTHI.P              | <b>Name</b>  | INDEX_C3D_KITCHENPAE |
| <b>Reviewer</b> |                       | <b>Order</b> | O001741              |
| <b>Approves</b> | <i>P. SAWA</i>        | <b>Date</b>  | 02/07/2024           |



|                 |                  |              |                      |
|-----------------|------------------|--------------|----------------------|
| <b>Model</b>    | ASPIRE_VIBHA_DFB | <b>Name</b>  | INDEX_C3D_KITCHENPAE |
| <b>Creator</b>  | SUTTHI.P         | <b>Order</b> | O001746              |
| <b>Reviewer</b> |                  | <b>Date</b>  | 02/07/2024           |
| <b>Approves</b> | <i>P.SAWA</i>    |              |                      |

## **ASPIRE\_VIBHA\_DFB-150X16X813**

### **Colour**

05.67=ML.WHITE LAVA MARBLE#BT5 (SUPPER MATT)  
05.66=ML.WOOD OAK#BT4 (MATT WOODGRIN)  
20.07=ML.WHITE #VM1012 18/18(MATT)

### **Edge**

01.380=1 ML.WHITE LAVA MARBLE BT5  
01.369=1 WOOD OAK (BT4)  
01.47=1 WHITE

**K101L 160148640**

**K101R 160148648**

**K106R 160148672**

**K201L 160159090**

**K201R 160159097**

**K202L 160159104**

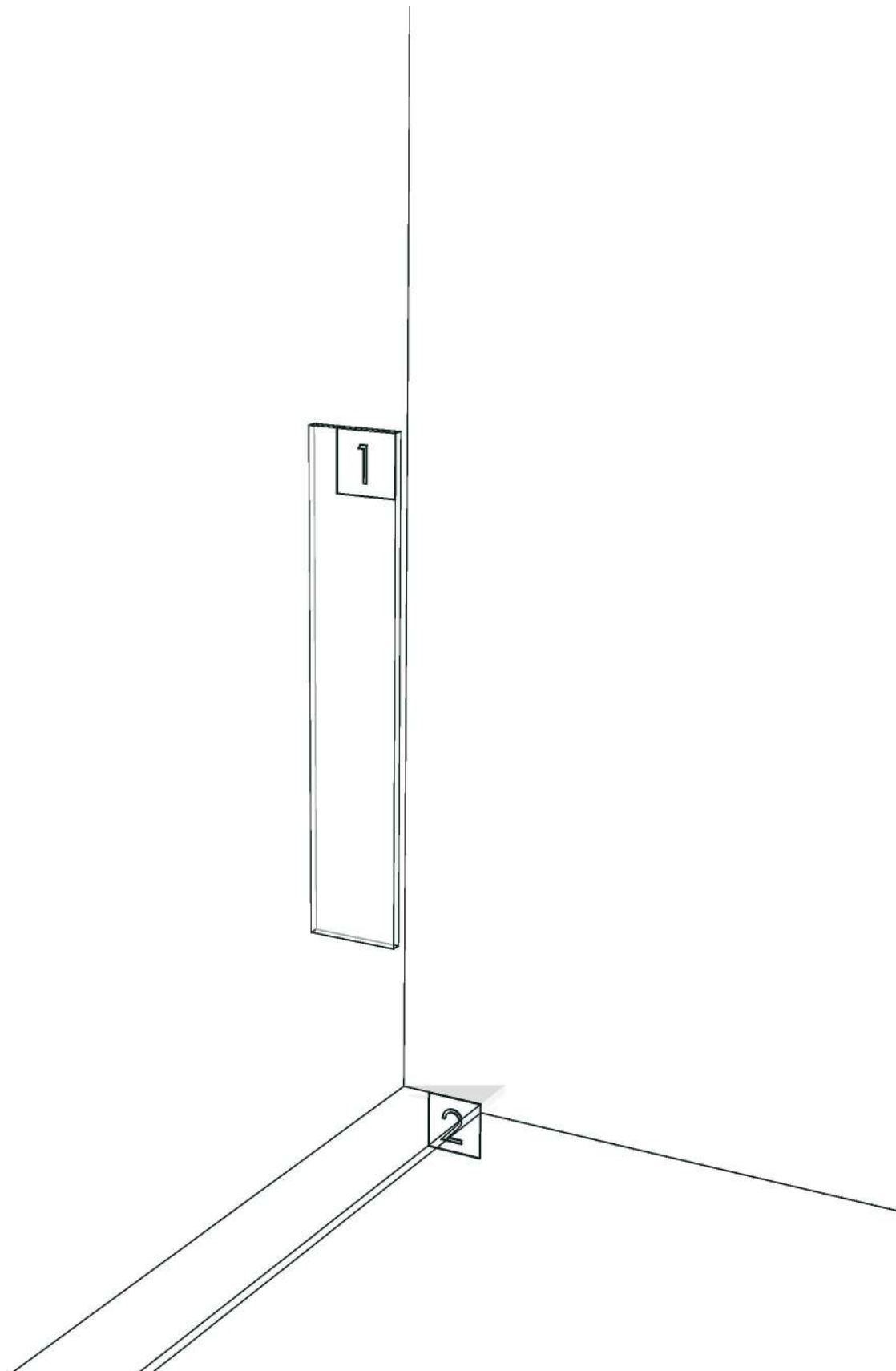
**K301L 160159118**

**K302R 160159126**

|                                     |                   |
|-------------------------------------|-------------------|
| <b>R&amp;D REVIEW</b>               |                   |
| <input checked="" type="checkbox"/> | DWG.Customer      |
| <input type="checkbox"/>            | Work Report       |
| <input type="checkbox"/>            | Function          |
| <input type="checkbox"/>            | สินค้าตรงตัวอย่าง |
| ผู้ทบทวน <u>P.SAWA</u>              |                   |
| _____/_____/_____                   |                   |



|                 |                   |              |                      |
|-----------------|-------------------|--------------|----------------------|
| <b>Model</b>    | -ASPIRE_VIBHA_DFB |              |                      |
| <b>Creator</b>  | SUTTHI.P          | <b>Name</b>  | INDEX_C3D_KITCHENPAE |
| <b>Reviewer</b> |                   | <b>Order</b> | 0001746              |
| <b>Approves</b> | <i>P. SAWA</i>    | <b>Date</b>  | 02/07/2024           |



|                 |                        |                  |                      |
|-----------------|------------------------|------------------|----------------------|
| <b>Model</b>    | ASPIRE_VIBHA_DFCL_1300 |                  |                      |
| <b>Creator</b>  | SUTTHI.P               | <b>.BCP Name</b> | INDEX_C3D_KITCHENPAE |
| <b>Reviewer</b> |                        | <b>Order</b>     | O002345              |
| <b>Approves</b> | <i>P.SAWA</i>          | <b>Date</b>      | 11/03/2025           |

## **ASPIRE\_VIBHA\_DFCL\_1300-1300X16X105**

### **Colour**

05.67=ML.WHITE LAVA MARBLE#BT5 (SUPPER MATT)

05.66=ML.WOOD OAK#BT4 (MATT WOODGRIN)

20.07=ML.WHITE #VM1012 18/18(MATT)

### **Edge**

01.380=1 ML.WHITE LAVA MARBLE BT5

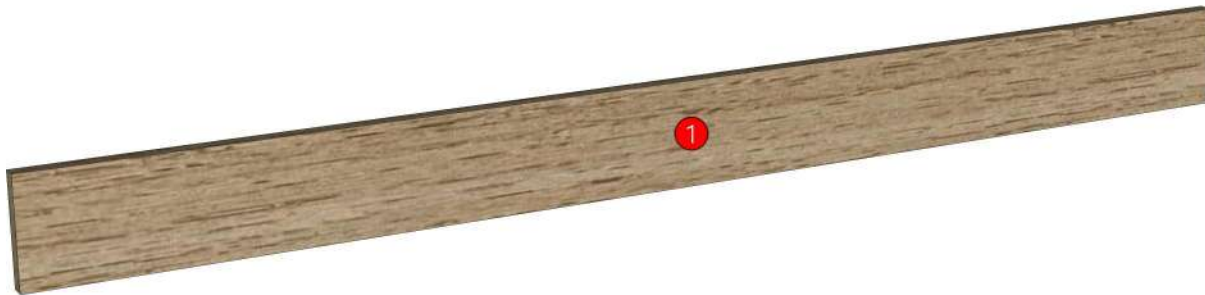
01.369=1 WOOD OAK (BT4)

01.47=1 WHITE

K201L 160159090

K201R 160159097

|                                     |                   |
|-------------------------------------|-------------------|
| <b>R&amp;D REVIEW</b>               |                   |
| <input checked="" type="checkbox"/> | DWG.Customer      |
| <input type="checkbox"/>            | Work Report       |
| <input type="checkbox"/>            | Function          |
| <input type="checkbox"/>            | สินค้าตรงตัวอย่าง |
| ผู้ทบทวน <u>P.SAWA</u>              |                   |
| ____/____/____                      |                   |



|                 |                         |                  |                      |
|-----------------|-------------------------|------------------|----------------------|
| <b>Model</b>    | -ASPIRE_VIBHA_DFCL_1300 |                  |                      |
| <b>Creator</b>  | SUTTHI.P                | <b>.BCP Name</b> | INDEX_C3D_KITCHENPAE |
| <b>Reviewer</b> |                         | <b>Order</b>     | 0002345              |
| <b>Approves</b> | <i>P. SAWA</i>          | <b>Date</b>      | 11/03/2025           |



|                 |                       |                  |                      |
|-----------------|-----------------------|------------------|----------------------|
| <b>Model</b>    | ASPIRE_VIBHA_DFCL_350 |                  |                      |
| <b>Creator</b>  | SUTTHI.P              | <b>.BCP Name</b> | INDEX_C3D_KITCHENPAE |
| <b>Reviewer</b> |                       | <b>Order</b>     | O002347              |
| <b>Approves</b> | <i>P. SAWA</i>        | <b>Date</b>      | 11/03/2025           |

## **ASPIRE\_VIBHA\_DFCL\_350-350X16X105**

**Colour**

05.67=ML.WHITE LAVA MARBLE#BT5 (SUPPER MATT)  
05.66=ML.WOOD OAK#BT4 (MATT WOODGRIN)  
20.07=ML.WHITE #VM1012 18/18(MATT)

**Edge**

01.380=1 ML.WHITE LAVA MARBLE BT5  
01.369=1 WOOD OAK (BT4)  
01.47=1 WHITE

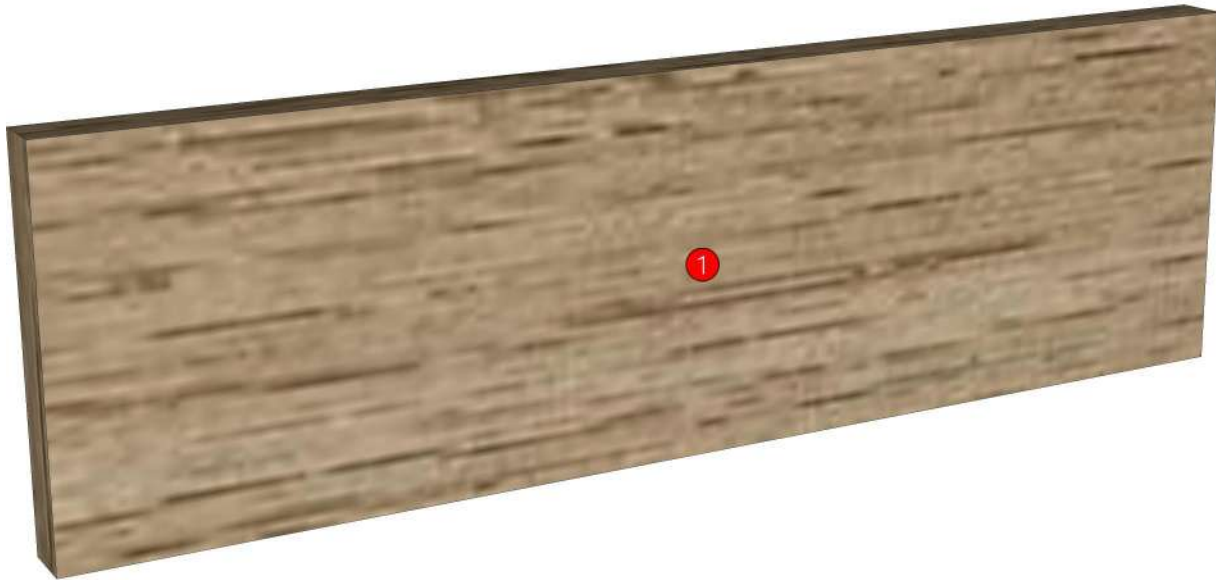
- K200L 160159076
- K200R 160159083
- K201L 160159090
- K201R 160159097
- K203R 160159111

**R&D REVIEW**

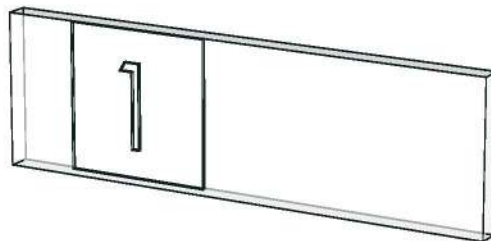
- DWG.Customer
- Work Report
- Function
- สินค้าตรงตัวอย่าง

ผู้ทบทวน P.SAWA

\_\_\_\_/\_\_\_\_/\_\_\_\_



|                 |                        |                  |                      |
|-----------------|------------------------|------------------|----------------------|
| <b>Model</b>    | -ASPIRE_VIBHA_DFCL_350 |                  |                      |
| <b>Creator</b>  | SUTTHI.P               | <b>.BCP Name</b> | INDEX_C3D_KITCHENPAE |
| <b>Reviewer</b> |                        | <b>Order</b>     | 0002347              |
| <b>Approves</b> | <i>P. SAWA</i>         | <b>Date</b>      | 11/03/2025           |



|                 |                   |                  |                      |
|-----------------|-------------------|------------------|----------------------|
| <b>Model</b>    | ASPIRE_VIBHA_DFLH |                  |                      |
| <b>Creator</b>  | SUTTHI.P          | <b>.BCP Name</b> | INDEX_C3D_KITCHENPAE |
| <b>Reviewer</b> |                   | <b>Order</b>     | O002331              |
| <b>Approves</b> | <i>P.SAWA</i>     | <b>Date</b>      | 10/03/2025           |

## **ASPIRE\_VIBHA\_DFLH-150X16X500**

### **Colour**

05.67=ML.WHITE LAVA MARBLE#BT5 (SUPPER MATT)  
05.66=ML.WOOD OAK#BT4 (MATT WOODGRIN)  
20.07=ML.WHITE #VM1012 18/18(MATT)

### **Edge**

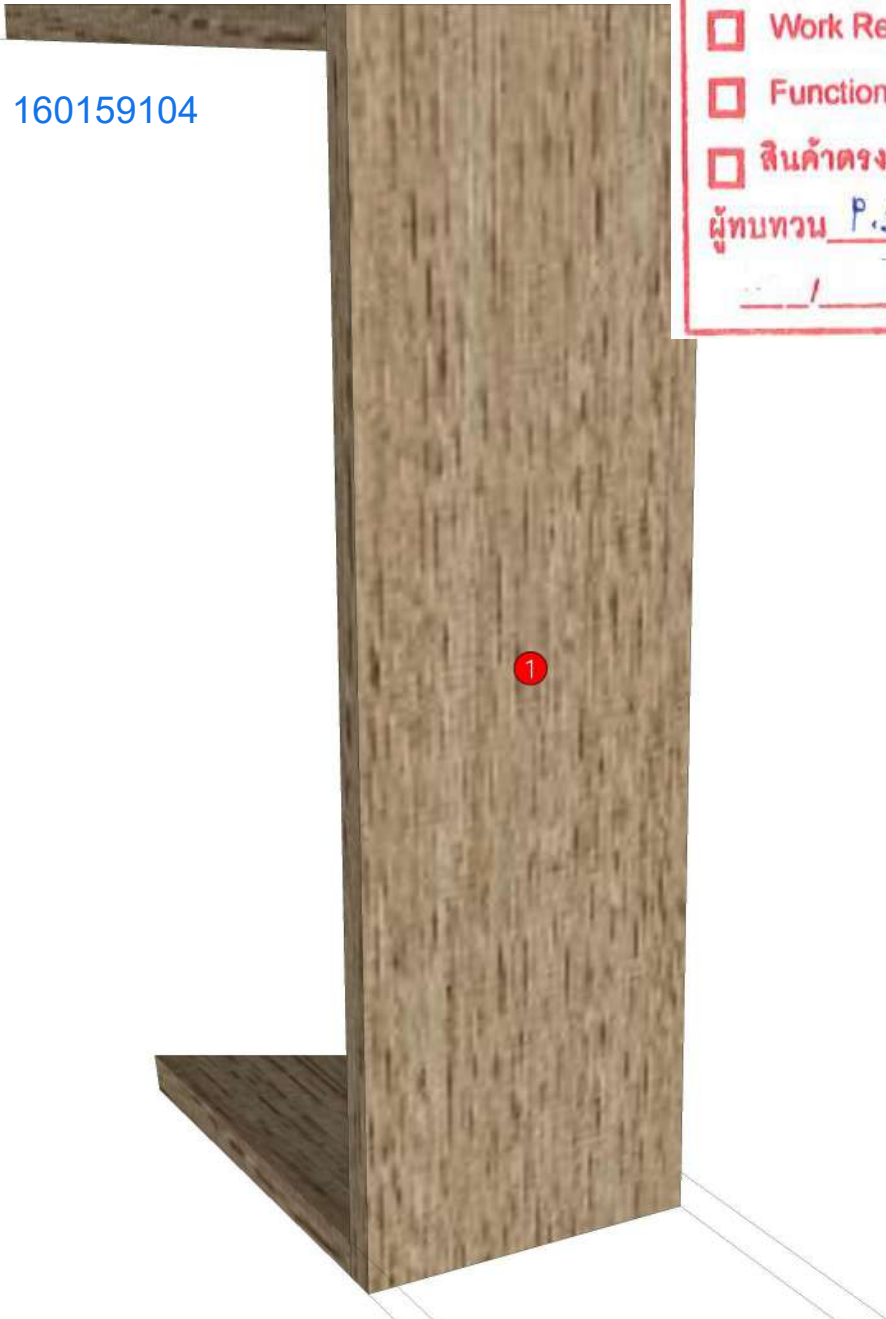
01.380=1 ML.WHITE LAVA MARBLE BT5  
01.369=1 WOOD OAK (BT4)  
01.47=1 WHITE

K201L 160159090

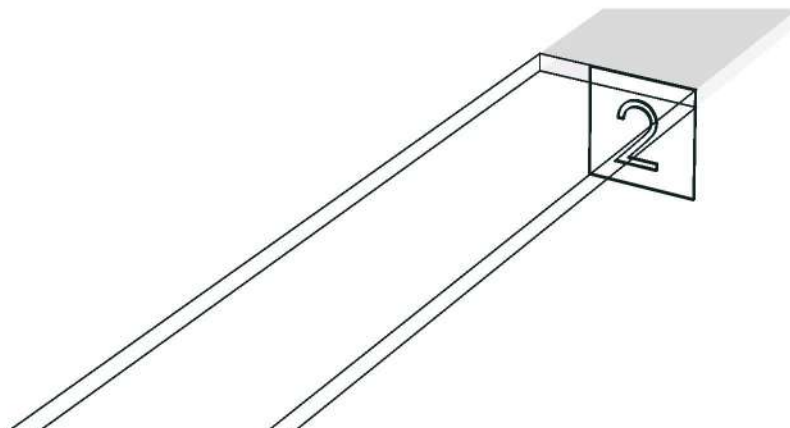
K201R 160159097

K202L 160159104

|                                     |                   |
|-------------------------------------|-------------------|
| <b>R&amp;D REVIEW</b>               |                   |
| <input checked="" type="checkbox"/> | DWG.Customer      |
| <input type="checkbox"/>            | Work Report       |
| <input type="checkbox"/>            | Function          |
| <input type="checkbox"/>            | สินค้าตรงตัวอย่าง |
| ผู้ทบทวน <u>P.SAWA</u>              |                   |
| ____/____/____                      |                   |



|                 |                    |                  |                      |
|-----------------|--------------------|------------------|----------------------|
| <b>Model</b>    | -ASPIRE_VIBHA_DFLH |                  |                      |
| <b>Creator</b>  | SUTTHI.P           | <b>.BCP Name</b> | INDEX_C3D_KITCHENPAE |
| <b>Reviewer</b> |                    | <b>Order</b>     | 0002331              |
| <b>Approves</b> | <i>P. SAWA</i>     | <b>Date</b>      | 10/03/2025           |



|                 |                      |                  |                      |
|-----------------|----------------------|------------------|----------------------|
| <b>Model</b>    | ASPIRE_VIBHA_DL60H1R |                  |                      |
| <b>Creator</b>  | SUTTHI.P             | <b>.BCP Name</b> | INDEX_C3D_KITCHENPAE |
| <b>Reviewer</b> |                      | <b>Order</b>     | O002337              |
| <b>Approves</b> | <i>P.SAWA</i>        | <b>Date</b>      | 10/03/2025           |

## **ASPIRE\_VIBHA\_DL60H1R-600X350X455**

**Colour**

05.67=ML.WHITE LAVA MARBLE#BT5 (SUPPER MATT)

05.66=ML.WOOD OAK#BT4 (MATT WOODGRIN)

20.07=ML.WHITE #VM1012 18/18(MATT)

**Edge**

01.380=1 ML.WHITE LAVA MARBLE BT5

01.369=1 WOOD OAK (BT4)

01.47=1 WHITE

K201L 160159090

K202L 160159104

**R&D REVIEW**

DWG.Customer

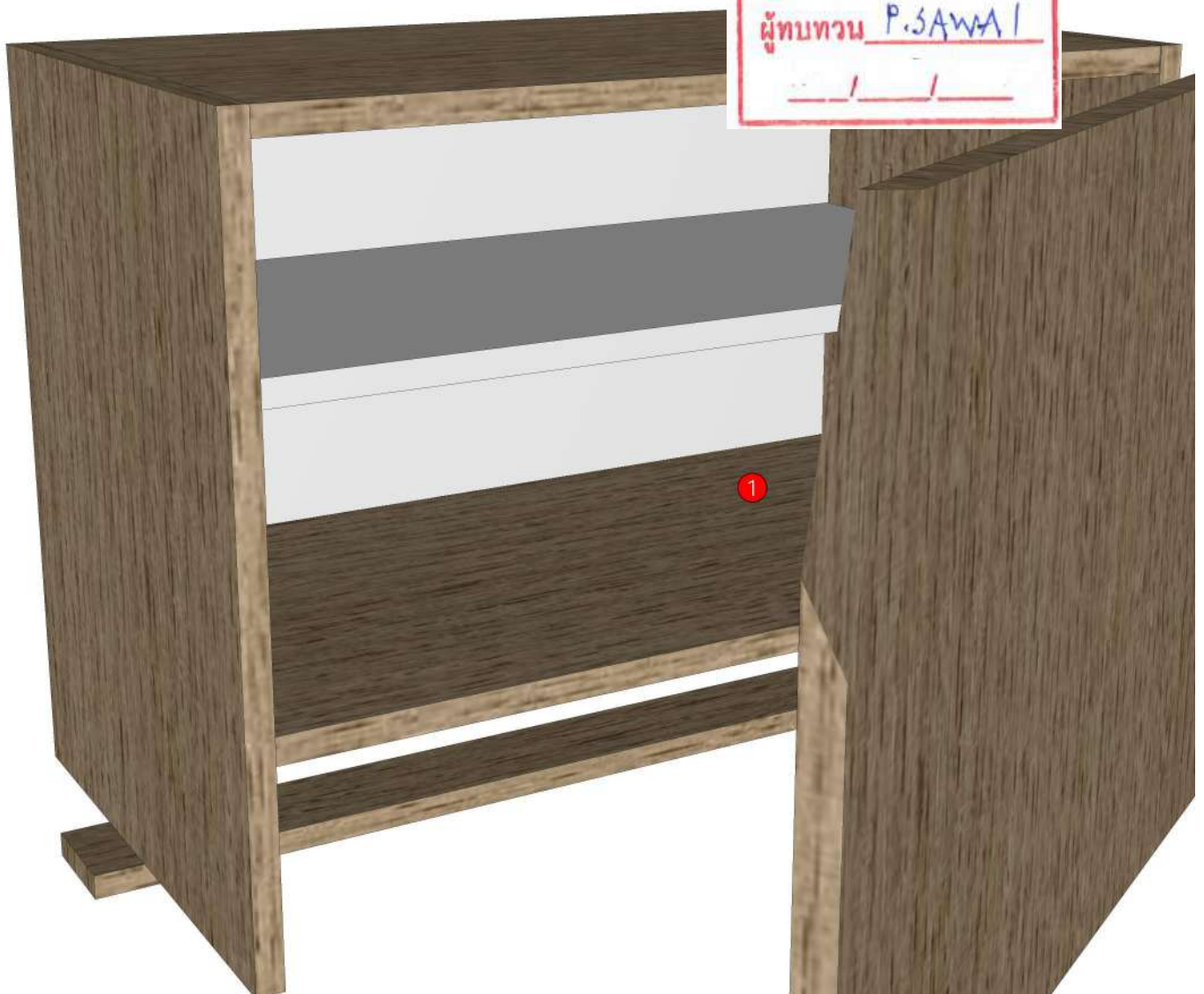
Work Report

Function

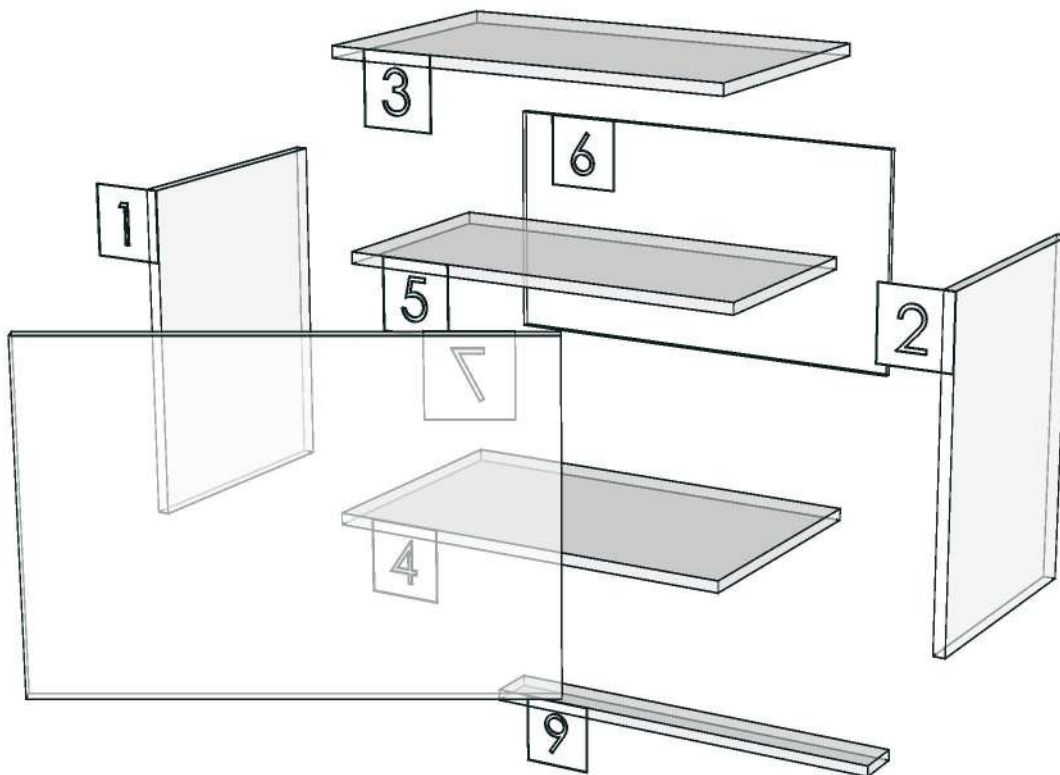
สินค้าตรงตัวอย่าง

ผู้ทบทวน P.SAWA

\_\_\_\_/\_\_\_\_/\_\_\_\_



|                 |                       |                  |                      |
|-----------------|-----------------------|------------------|----------------------|
| <b>Model</b>    | -ASPIRE_VIBHA_DL60H1R |                  |                      |
| <b>Creator</b>  | SUTTHI.P              | <b>.BCP Name</b> | INDEX_C3D_KITCHENPAE |
| <b>Reviewer</b> |                       | <b>Order</b>     | O002337              |
| <b>Approves</b> | <i>P. SAWA</i>        | <b>Date</b>      | 10/03/2025           |



|                 |                       |                  |                      |
|-----------------|-----------------------|------------------|----------------------|
| <b>Model</b>    | ASPIRE_VIBHA_DLOMV60H |                  |                      |
| <b>Creator</b>  | SUTTHI.P              | <b>.BCP Name</b> | INDEX_C3D_KITCHENPAE |
| <b>Reviewer</b> |                       | <b>Order</b>     | O002327              |
| <b>Approves</b> | <i>P. SAWA</i>        | <b>Date</b>      | 05/03/2025           |

## **ASPIRE\_VIBHA\_DLOMV60H-600X350X650**

### **Colour**

05.67=ML.WHITE LAVA MARBLE#BT5 (SUPPER MATT)

05.66=ML.WOOD OAK#BT4 (MATT WOODGRIN)

20.07=ML.WHITE #VM1012 18/18(MATT)

### **Edge**

01.380=1 ML.WHITE LAVA MARBLE BT5

01.369=1 WOOD OAK (BT4)

01.47=1 WHITE

K200L 160159076

K202L 160159104

K200R 160159083

K203R 160159111

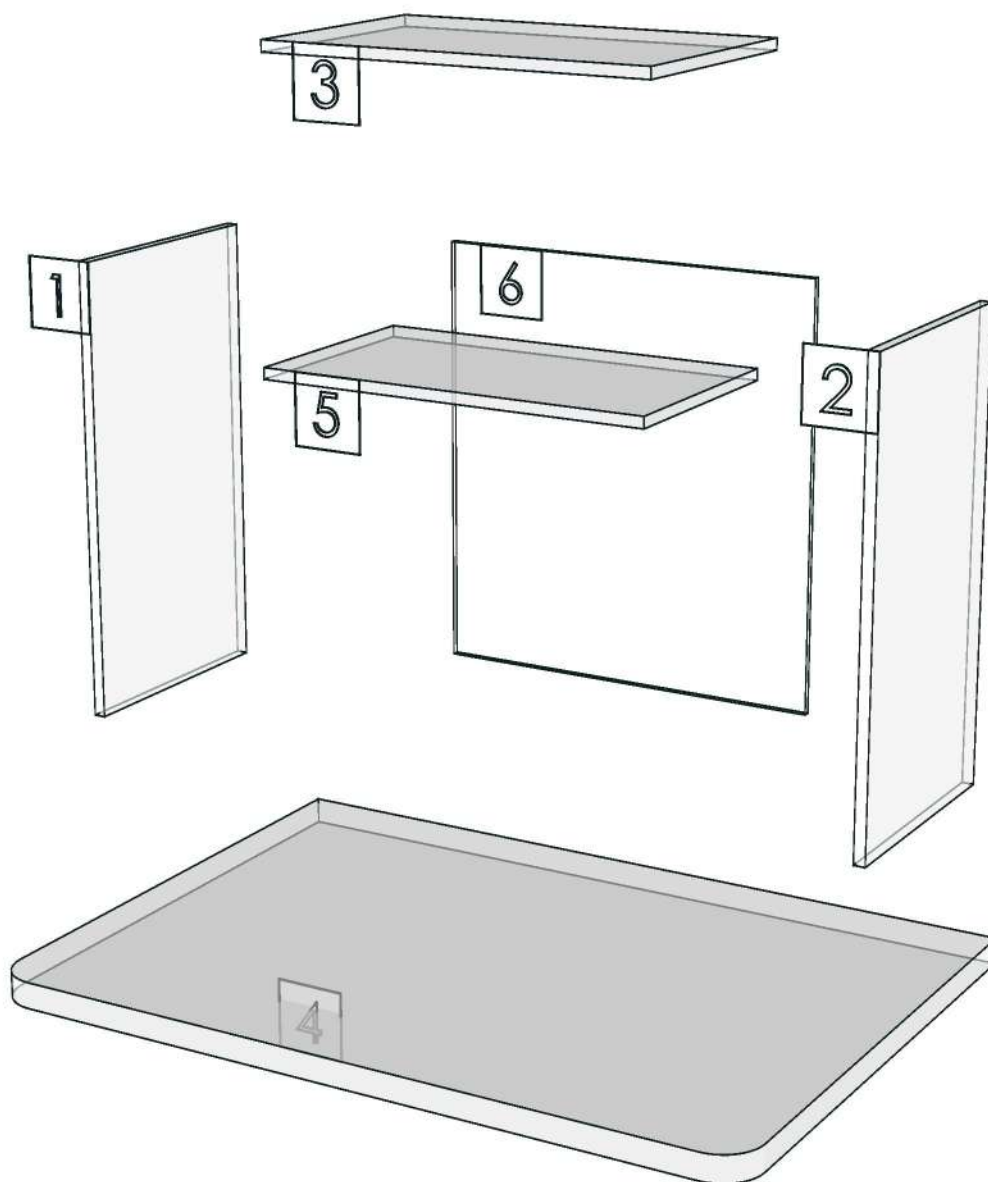
K201L 160159090

K201R 160159097

|                                     |                   |
|-------------------------------------|-------------------|
| <b>R&amp;D REVIEW</b>               |                   |
| <input checked="" type="checkbox"/> | DWG.Customer      |
| <input type="checkbox"/>            | Work Report       |
| <input type="checkbox"/>            | Function          |
| <input type="checkbox"/>            | สินค้าตรงตัวอย่าง |
| ผู้ทบทวน <u>P.SAWA</u>              |                   |
| ____/____/____                      |                   |



|                 |                        |                  |                      |
|-----------------|------------------------|------------------|----------------------|
| <b>Model</b>    | -ASPIRE_VIBHA_DLOMV60H |                  |                      |
| <b>Creator</b>  | SUTTHI.P               | <b>.BCP Name</b> | INDEX_C3D_KITCHENPAE |
| <b>Reviewer</b> |                        | <b>Order</b>     | 0002327              |
| <b>Approves</b> | <i>P. SAWA</i>         | <b>Date</b>      | 05/03/2025           |



|                 |                        |              |                      |
|-----------------|------------------------|--------------|----------------------|
| <b>Model</b>    | ASPIRE_VIBHA_DPLT_1300 |              |                      |
| <b>Creator</b>  | SUTTHI.P               | <b>Name</b>  | INDEX_C3D_KITCHENPAE |
| <b>Reviewer</b> |                        | <b>Order</b> | O001750              |
| <b>Approves</b> | <i>P.SAWA</i>          | <b>Date</b>  | 02/07/2024           |

## **ASPIRE\_VIBHA\_DPLT\_1300-1300X9X100**

### **Colour**

05.67=ML.WHITE LAVA MARBLE#BT5 (SUPPER MATT)  
05.66=ML.WOOD OAK#BT4 (MATT WOODGRIN)  
20.07=ML.WHITE #VM1012 18/18(MATT)

### **Edge**

01.380=1 ML.WHITE LAVA MARBLE BT5  
01.369=1 WOOD OAK (BT4)  
01.47=1 WHITE

**K101L 160148640**

**K101R 160148648**

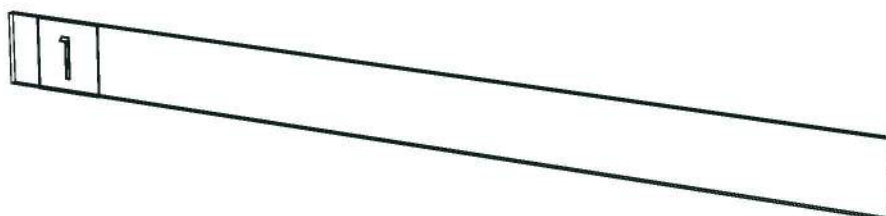
**K201L 160159090**

**K201R 160159097**

|                                     |                   |
|-------------------------------------|-------------------|
| <b>R&amp;D REVIEW</b>               |                   |
| <input checked="" type="checkbox"/> | DWG.Customer      |
| <input type="checkbox"/>            | Work Report       |
| <input type="checkbox"/>            | Function          |
| <input type="checkbox"/>            | สินค้าตรงตัวอย่าง |
| ผู้ทบทวน <u>P.SAWA</u>              |                   |
| _____/_____/_____                   |                   |



|                 |                         |              |                      |
|-----------------|-------------------------|--------------|----------------------|
| <b>Model</b>    | -ASPIRE_VIBHA_DPLT_1300 |              |                      |
| <b>Creator</b>  | SUTTHI.P                | <b>Name</b>  | INDEX_C3D_KITCHENPAE |
| <b>Reviewer</b> |                         | <b>Order</b> | 0001750              |
| <b>Approves</b> | P. SAWA                 | <b>Date</b>  | 02/07/2024           |



|                 |                       |              |                      |
|-----------------|-----------------------|--------------|----------------------|
| <b>Model</b>    | ASPIRE_VIBHA_DPLT_600 |              |                      |
| <b>Creator</b>  | SUTTHI.P              | <b>Name</b>  | INDEX_C3D_KITCHENPAE |
| <b>Reviewer</b> |                       | <b>Order</b> | O001752              |
| <b>Approves</b> | P. SAWA               | <b>Date</b>  | 02/07/2024           |

## ASPIRE\_VIBHA\_DPLT\_600-600X9X100

**Colour**

05.67=ML.WHITE LAVA MARBLE#BT5 (SUPPER MATT)  
05.66=ML.WOOD OAK#BT4 (MATT WOODGRIN)  
20.07=ML.WHITE #VM1012 18/18(MATT)

**Edge**

01.380=1 ML.WHITE LAVA MARBLE BT5  
01.369=1 WOOD OAK (BT4)  
01.47=1 WHITE

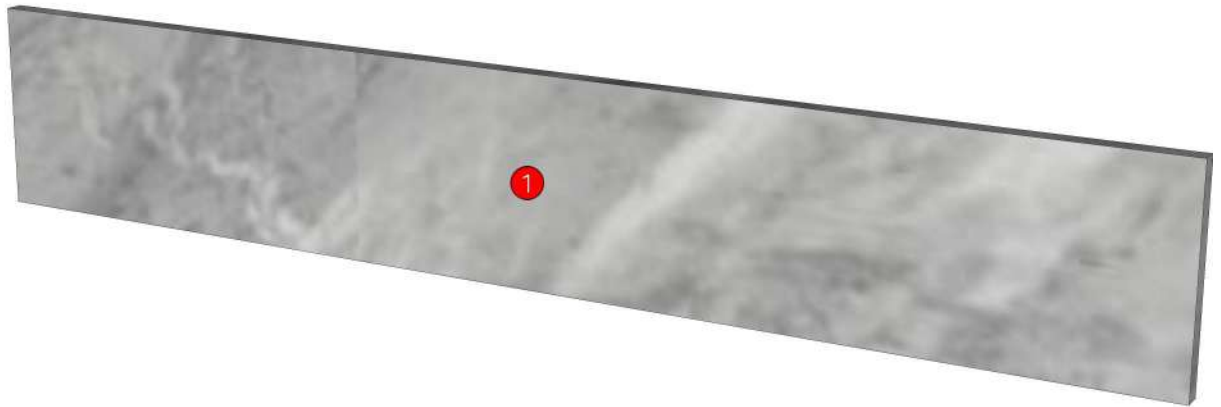
- |                 |                 |
|-----------------|-----------------|
| K100L 160148633 | K200L 160159076 |
| K100R 160126713 | K200R 160159083 |
| K101L 160148640 | K201L 160159090 |
| K101R 160148648 | K201R 160159097 |
| K102R 160148656 | K203R 160159111 |
| K103L 160146717 | K301L 160159118 |
| K105R 160148664 | K302R 160159126 |
| K106R 160148672 |                 |
| K107R 160148680 |                 |

**R&D REVIEW**

- DWG.Customer
- Work Report
- Function
- สินค้าตรงตัวอย่าง

ผู้ทบทวน P.SAWA

\_\_\_\_/\_\_\_\_/\_\_\_\_



|                 |                        |              |                      |
|-----------------|------------------------|--------------|----------------------|
| <b>Model</b>    | -ASPIRE_VIBHA_DPLT_600 |              |                      |
| <b>Creator</b>  | SUTTHI.P               | <b>Name</b>  | INDEX_C3D_KITCHENPAE |
| <b>Reviewer</b> |                        | <b>Order</b> | 0001752              |
| <b>Approves</b> | <i>P. SAWA</i>         | <b>Date</b>  | 02/07/2024           |

