

<b>Model</b>	ASPIRE_VIBHA_DBH601L		
<b>Creator</b>	SUTTHI.P	<b>.BCP Name</b>	INDEX_C3D_KITCHENPAE
<b>Reviewer</b>		<b>Order</b>	O001722
<b>Approves</b>	<i>P.SAWA I</i>	<b>Date</b>	24/06/2024

## **ASPIRE\_VIBHA\_DBH601L-600X570X813**

**Colour**

05.67=ML.WHITE LAVA MARBLE#BT5 (SUPPER MATT)  
05.66=ML.WOOD OAK#BT4 (MATT WOODGRIN)  
20.07=ML.WHITE #VM1012 18/18(MATT)

**Edge**

01.380=1 ML.WHITE LAVA MARBLE BT5  
01.369=1 WOOD OAK (BT4)  
01.47=1 WHITE

K106R 160148672      K200R 160159083  
K100R 160146713      K201R 160159097  
K101R 160148648      K203R 160159111  
  
K302R 160159126

**R&D REVIEW**

DWG.Customer

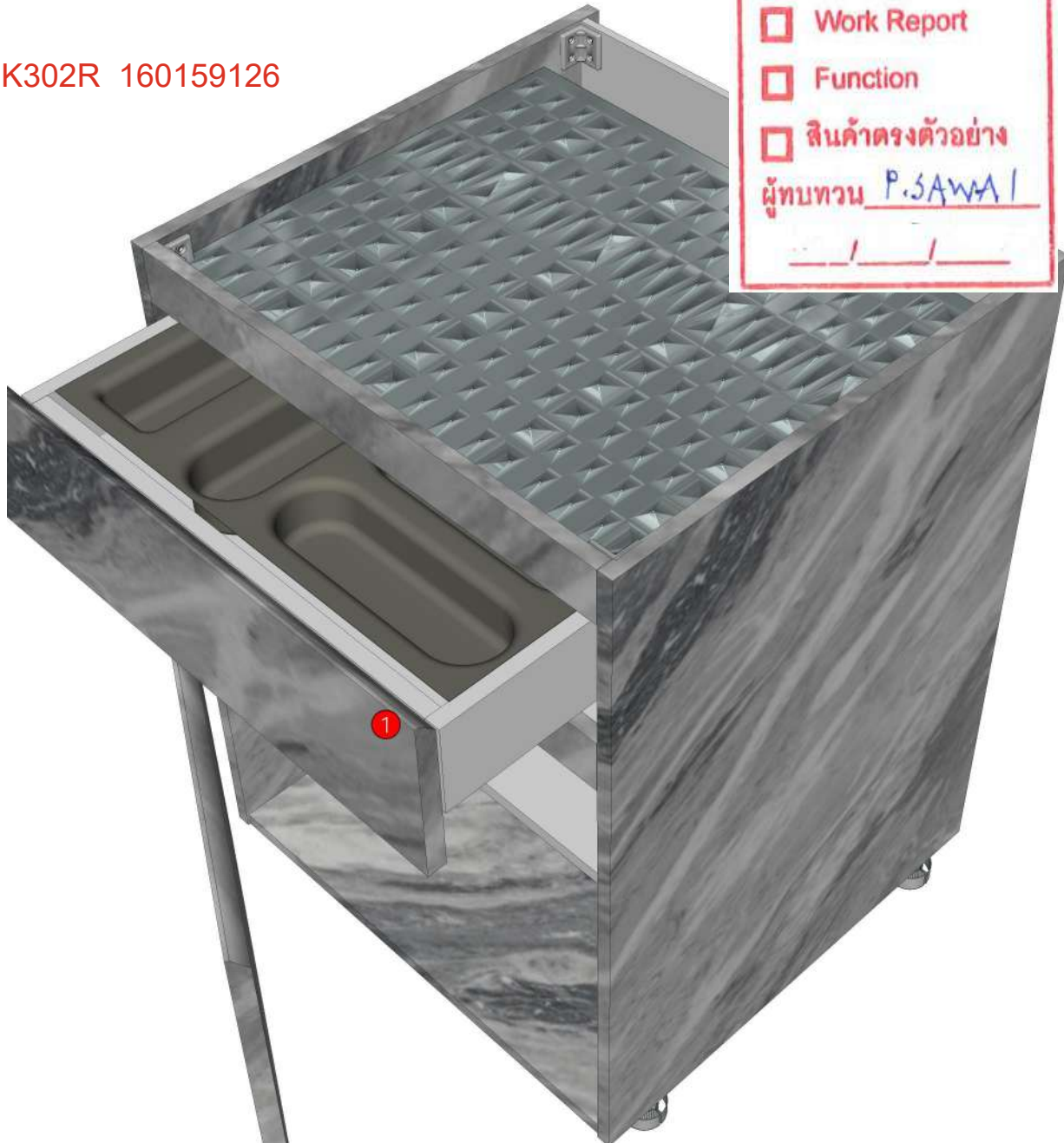
Work Report

Function

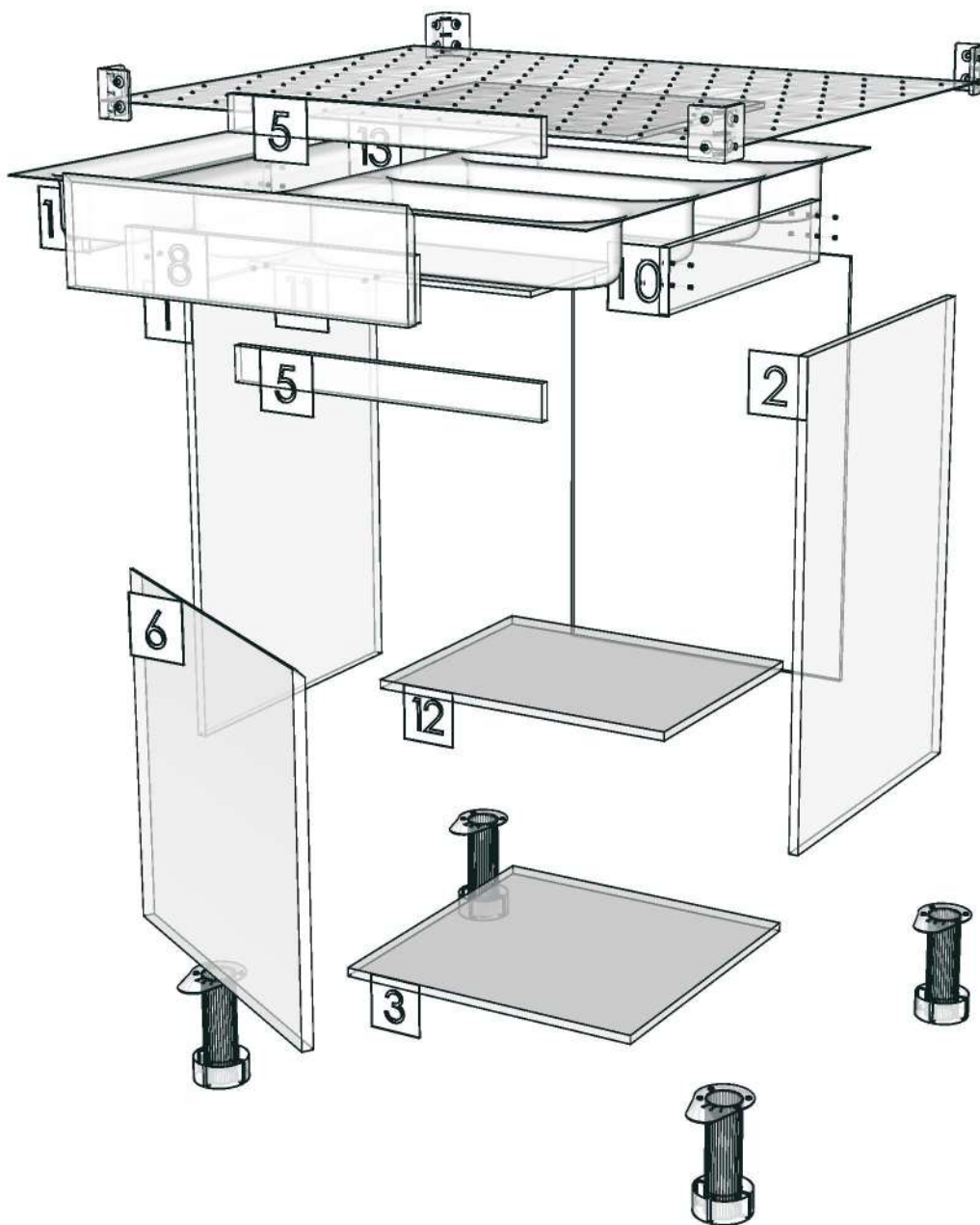
สินค้าตรงตัวอย่าง

ผู้ทบทวน P.SAWA I

\_\_\_\_/\_\_\_\_/\_\_\_\_



<b>Model</b>	-ASPIRE_VIBHA_DBH601L		
<b>Creator</b>	SUTTHI.P	<b>.BCP Name</b>	INDEX_C3D_KITCHENPAE
<b>Reviewer</b>		<b>Order</b>	0001722
<b>Approves</b>	<i>P. SAWA</i>	<b>Date</b>	24/06/2024



<b>Model</b>	ASPIRE_VIBHA_DBS60R		
<b>Creator</b>	SUTTHI.P	<b>.BCP Name</b>	INDEX_C3D_KITCHENPAE
<b>Reviewer</b>		<b>Order</b>	O001725
<b>Approves</b>	<i>P.SAWA</i>	<b>Date</b>	25/06/2024

## **ASPIRE\_VIBHA\_DBS60R-600X570X813**

**Colour**

05.67=ML.WHITE LAVA MARBLE#BT5 (SUPPER MATT)  
05.66=ML.WOOD OAK#BT4 (MATT WOODGRIN)  
20.07=ML.WHITE #VM1012 18/18(MATT)

**Edge**

01.380=1 ML.WHITE LAVA MARBLE BT5  
01.369=1 WOOD OAK (BT4)  
01.47=1 WHITE

**K100R 160126713**

**K200R 160159083**

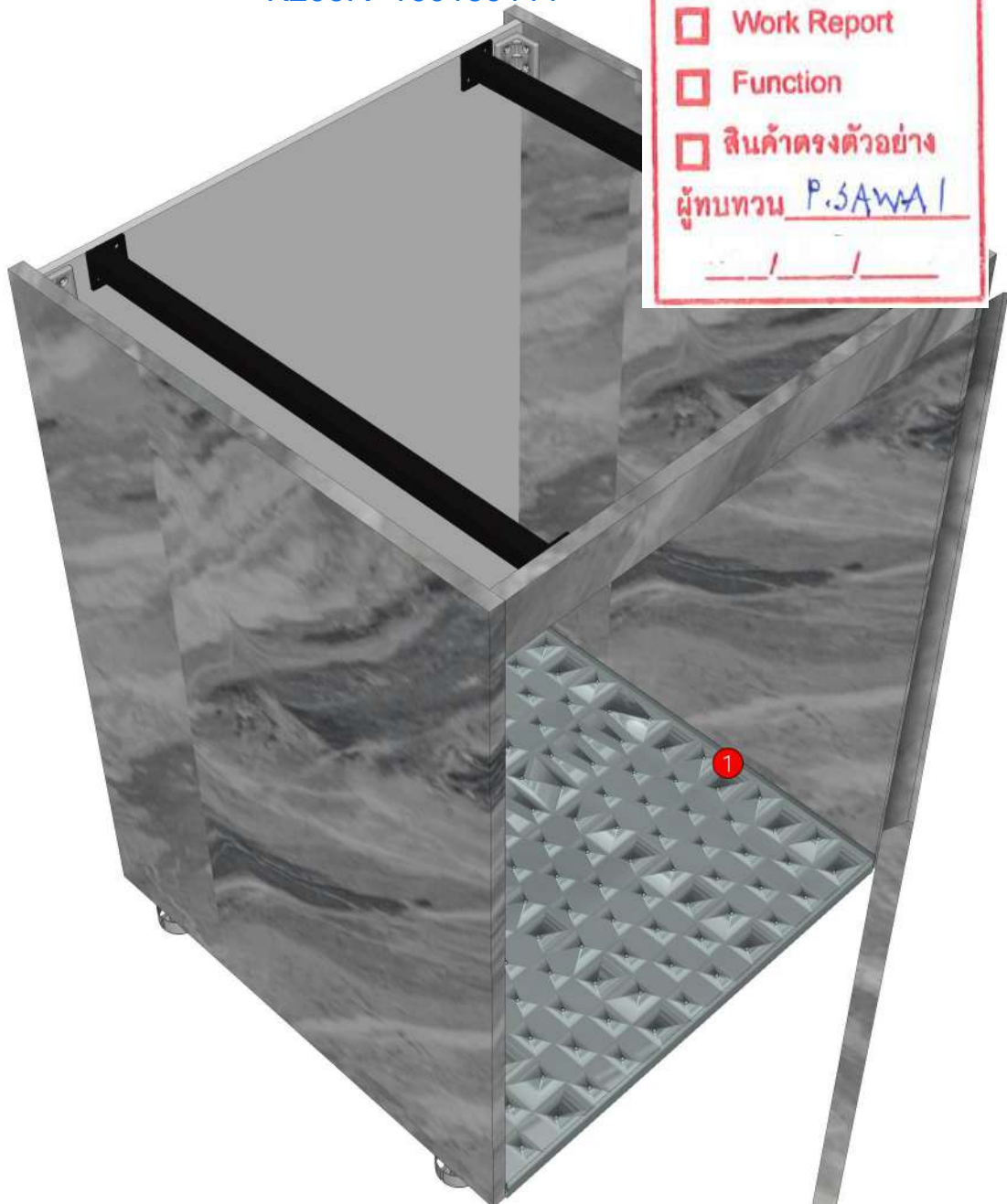
**K101R 160148648**

**K201R 160159097**

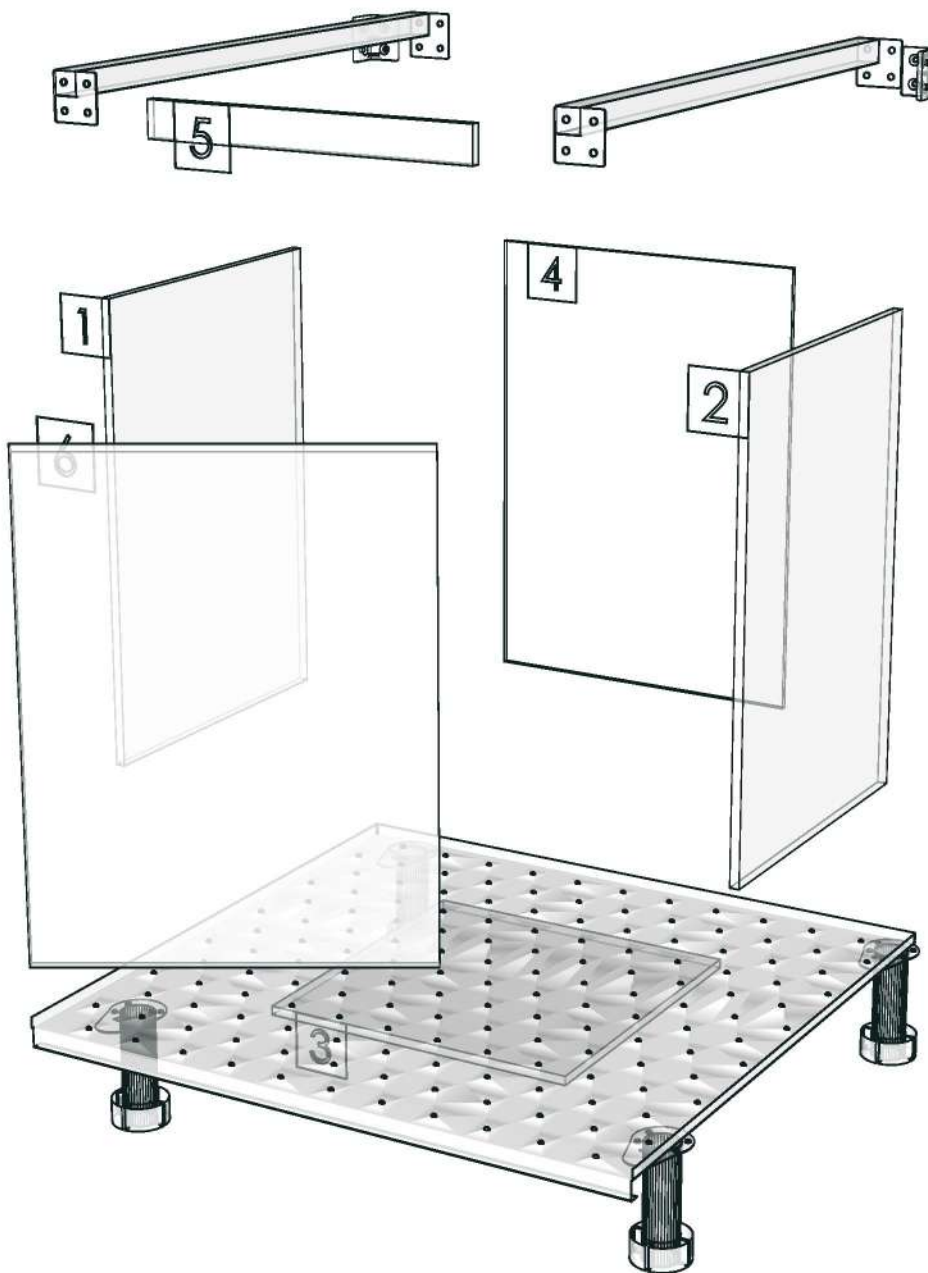
**K102R 160148656**

**K203R 160159111**

<b>R&amp;D REVIEW</b>	
<input checked="" type="checkbox"/>	DWG.Customer
<input type="checkbox"/>	Work Report
<input type="checkbox"/>	Function
<input type="checkbox"/>	สินค้าตรงตัวอย่าง
ผู้ทบทวน <u>P.SAWA</u>	
____/____/____	

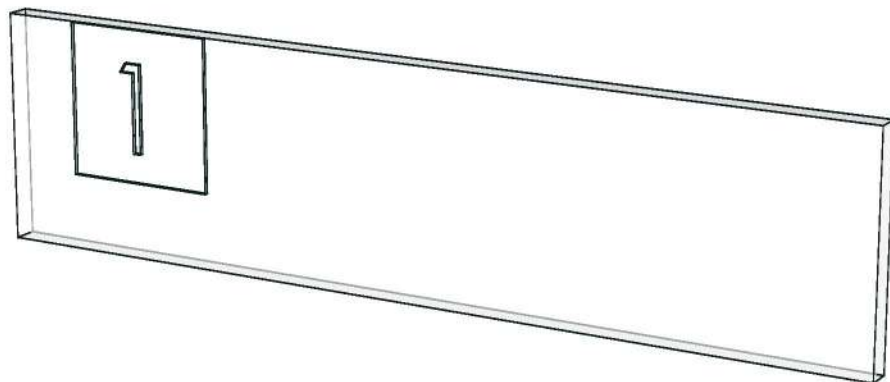


<b>Model</b>	-ASPIRE_VIBHA_DBS60R		
<b>Creator</b>	SUTTHI.P	<b>.BCP Name</b>	INDEX_C3D_KITCHENPAE
<b>Reviewer</b>		<b>Order</b>	O001725
<b>Approves</b>	<i>P. SAWA</i>	<b>Date</b>	25/06/2024





<b>Model</b>	-ASPIRE_VIBHA_DDM_600		
<b>Creator</b>	SUTTHI.P	<b>Name</b>	INDEX_C3D_KITCHENPAE
<b>Reviewer</b>		<b>Order</b>	0001740
<b>Approves</b>	<i>P. SAWA</i>	<b>Date</b>	01/07/2024



<b>Model</b>	ASPIRE_VIBHA_DFCL_1200		
<b>Creator</b>	SUTTHI.P	<b>.BCP Name</b>	INDEX_C3D_KITCHENPAE
<b>Reviewer</b>		<b>Order</b>	O002344
<b>Approves</b>	<i>P. SAWA</i>	<b>Date</b>	11/03/2025

## **ASPIRE\_VIBHA\_DFCL\_1200-1200X16X105**

**Colour**

05.67=ML.WHITE LAVA MARBLE#BT5 (SUPPER MATT)  
05.66=ML.WOOD OAK#BT4 (MATT WOODGRIN)  
20.07=ML.WHITE #VM1012 18/18(MATT)

**Edge**

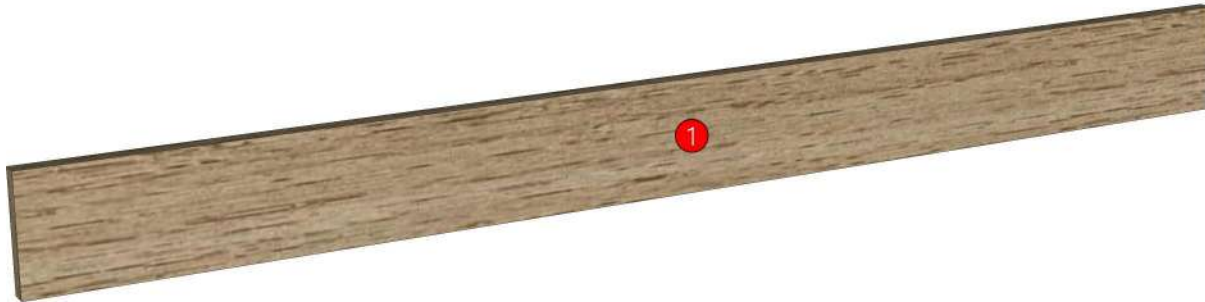
01.380=1 ML.WHITE LAVA MARBLE BT5  
01.369=1 WOOD OAK (BT4)  
01.47=1 WHITE

K200L 160159076

K200R 160159083

K203R 160159111

<b>R&amp;D REVIEW</b>	
<input checked="" type="checkbox"/>	DWG.Customer
<input type="checkbox"/>	Work Report
<input type="checkbox"/>	Function
<input type="checkbox"/>	สินค้าตรงตัวอย่าง
ผู้ทบทวน <u>P.SAWA</u>	
____/____/____	



<b>Model</b>	-ASPIRE_VIBHA_DFCL_1200		
<b>Creator</b>	SUTTHI.P	<b>.BCP Name</b>	INDEX_C3D_KITCHENPAE
<b>Reviewer</b>		<b>Order</b>	0002344
<b>Approves</b>	<i>P. SAWA</i>	<b>Date</b>	11/03/2025



<b>Model</b>	ASPIRE_VIBHA_DFCL_350		
<b>Creator</b>	SUTTHI.P	<b>.BCP Name</b>	INDEX_C3D_KITCHENPAE
<b>Reviewer</b>		<b>Order</b>	O002347
<b>Approves</b>	<i>P. SAWA</i>	<b>Date</b>	11/03/2025

## **ASPIRE\_VIBHA\_DFCL\_350-350X16X105**

### **Colour**

05.67=ML.WHITE LAVA MARBLE#BT5 (SUPPER MATT)  
05.66=ML.WOOD OAK#BT4 (MATT WOODGRIN)  
20.07=ML.WHITE #VM1012 18/18(MATT)

### **Edge**

01.380=1 ML.WHITE LAVA MARBLE BT5  
01.369=1 WOOD OAK (BT4)  
01.47=1 WHITE

K200L 160159076

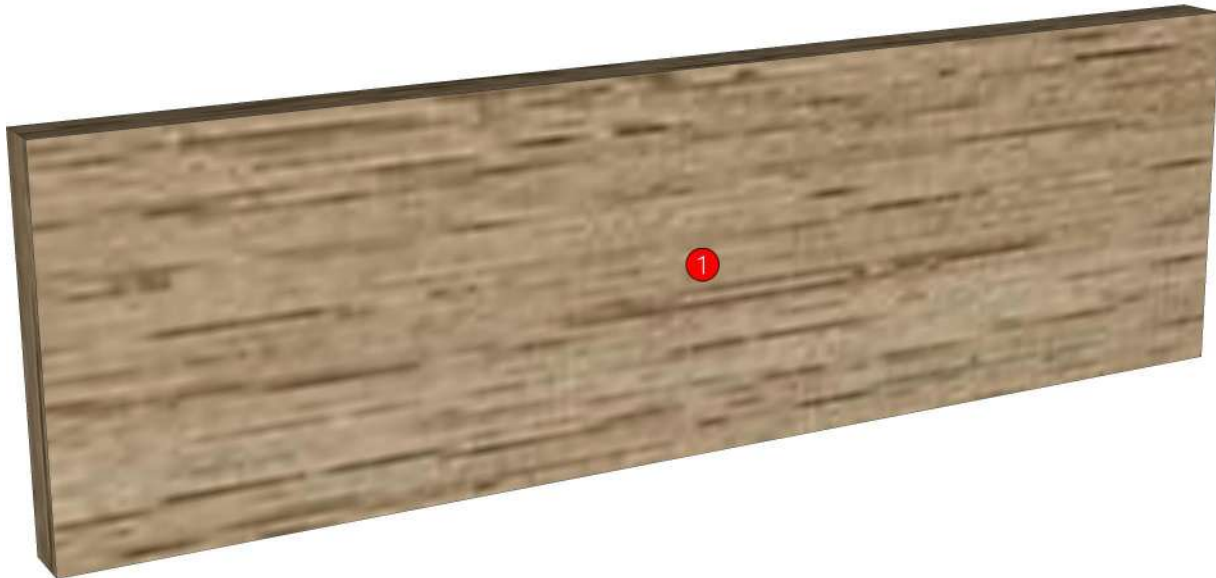
K200R 160159083

K201L 160159090

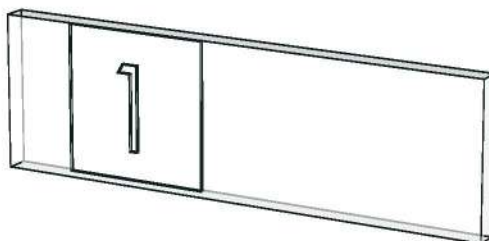
K201R 160159097

K203R 160159111

<b>R&amp;D REVIEW</b>	
<input checked="" type="checkbox"/>	DWG.Customer
<input type="checkbox"/>	Work Report
<input type="checkbox"/>	Function
<input type="checkbox"/>	สินค้าตรงตัวอย่าง
ผู้ทบทวน <u>P.SAWA</u>	
____/____/____	



<b>Model</b>	-ASPIRE_VIBHA_DFCL_350		
<b>Creator</b>	SUTTHI.P	<b>.BCP Name</b>	INDEX_C3D_KITCHENPAE
<b>Reviewer</b>		<b>Order</b>	0002347
<b>Approves</b>	<i>P. SAWA</i>	<b>Date</b>	11/03/2025



<b>Model</b>	ASPIRE_VIBHA_DL60H1LS		
<b>Creator</b>	SUTTHI.P	<b>.BCP Name</b>	INDEX_C3D_KITCHENPAE
<b>Reviewer</b>		<b>Order</b>	O002338
<b>Approves</b>	<i>P.SAWA</i>	<b>Date</b>	10/03/2025

## ASPIRE\_VIBHA\_DL60H1LS-600X350X455

### Colour

05.67=ML.WHITE LAVA MARBLE#BT5 (SUPPER MATT)

05.66=ML.WOOD OAK#BT4 (MATT WOODGRIN)

20.07=ML.WHITE #VM1012 18/18(MATT)

### Edge

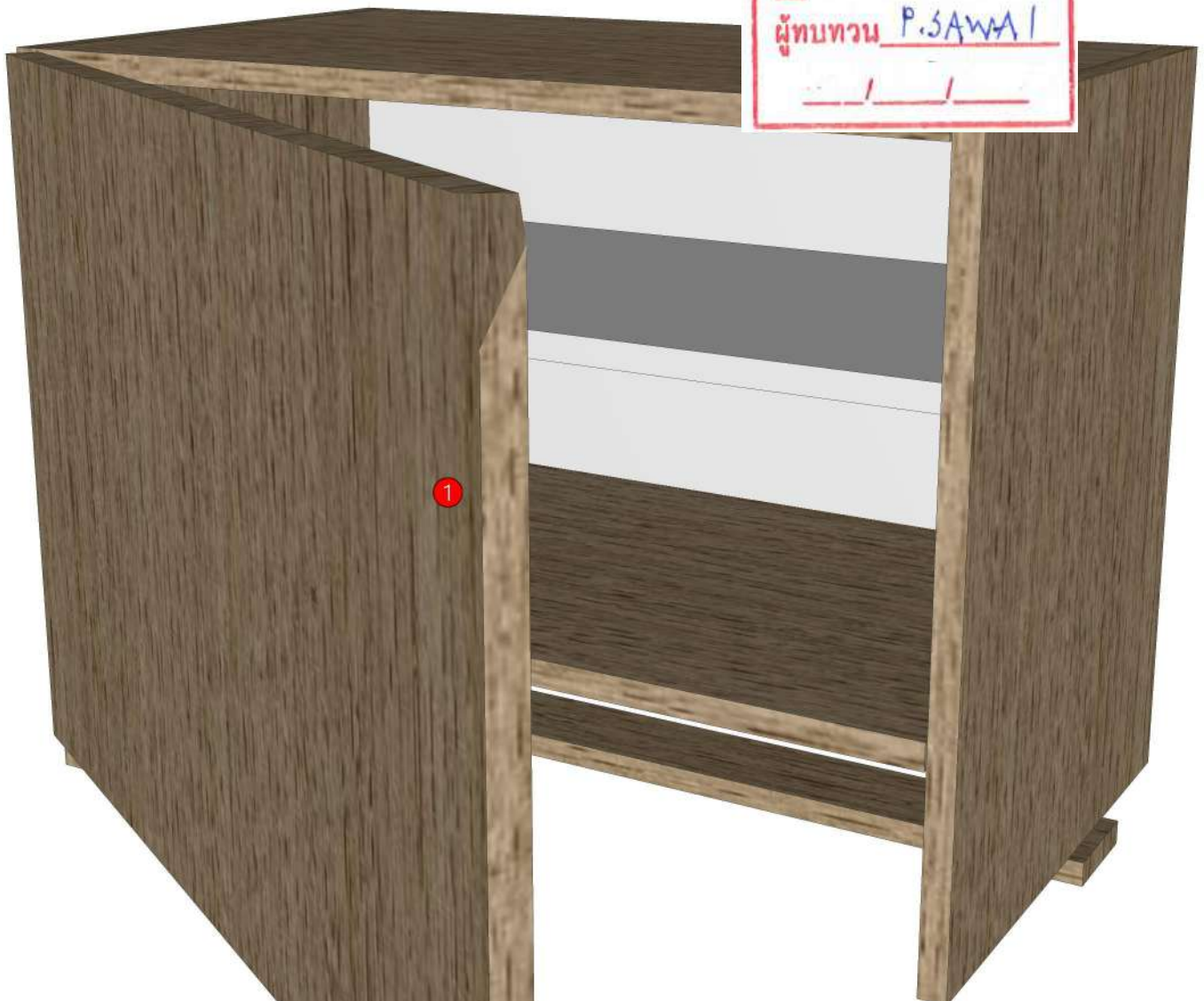
01.380=1 ML.WHITE LAVA MARBLE BT5

01.369=1 WOOD OAK (BT4)

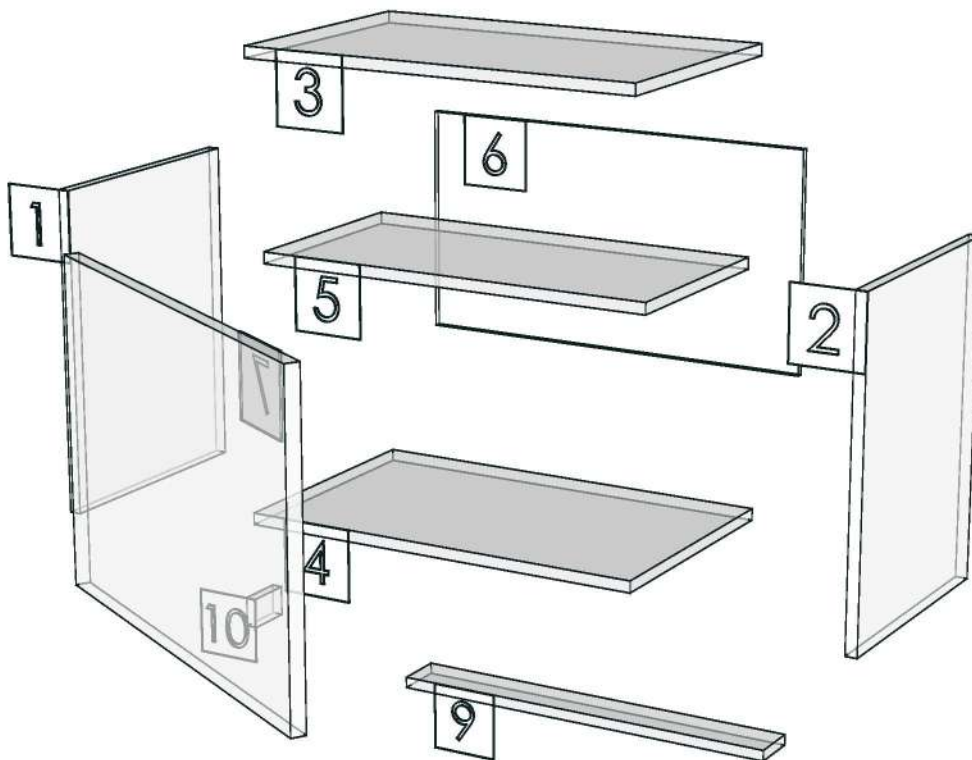
01.47=1 WHITE

K200R 160159083

<b>R&amp;D REVIEW</b>	
<input checked="" type="checkbox"/>	DWG.Customer
<input type="checkbox"/>	Work Report
<input type="checkbox"/>	Function
<input type="checkbox"/>	สินค้าตรงตัวอย่าง
ผู้ทบทวน <u>P.SAWA</u>	
____/____/____	



<b>Model</b>	-ASPIRE_VIBHA_DL60H1LS		
<b>Creator</b>	SUTTHI.P	<b>.BCP Name</b>	INDEX_C3D_KITCHENPAE
<b>Reviewer</b>		<b>Order</b>	0002338
<b>Approves</b>	<i>P. SAWA</i>	<b>Date</b>	10/03/2025



<b>Model</b>	ASPIRE_VIBHA_DLOMV60H		
<b>Creator</b>	SUTTHI.P	<b>.BCP Name</b>	INDEX_C3D_KITCHENPAE
<b>Reviewer</b>		<b>Order</b>	O002327
<b>Approves</b>	<i>P. SAWA</i>	<b>Date</b>	05/03/2025

## **ASPIRE\_VIBHA\_DLOMV60H-600X350X650**

**Colour**

05.67=ML.WHITE LAVA MARBLE#BT5 (SUPPER MATT)  
05.66=ML.WOOD OAK#BT4 (MATT WOODGRIN)  
20.07=ML.WHITE #VM1012 18/18(MATT)

**Edge**

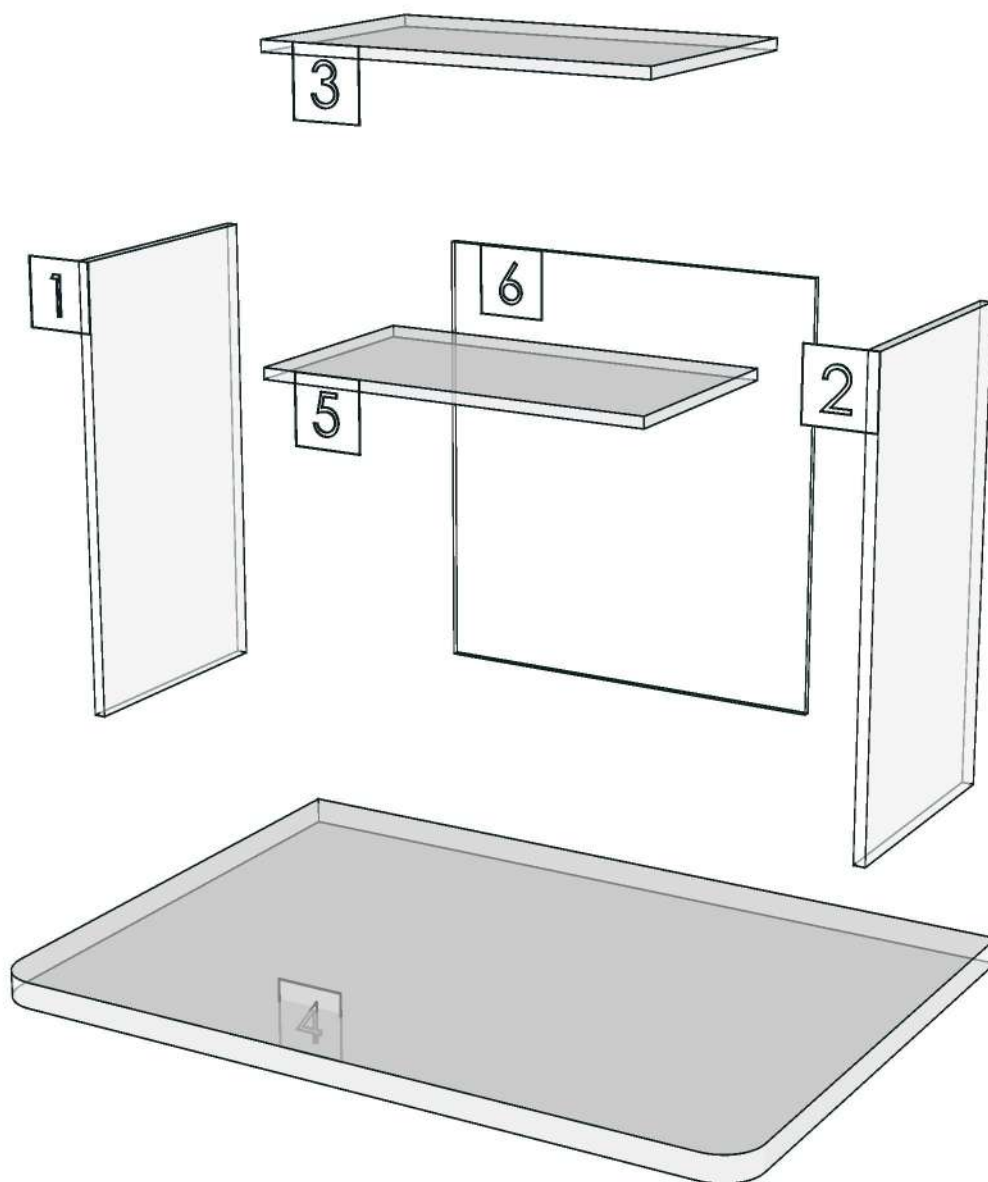
01.380=1 ML.WHITE LAVA MARBLE BT5  
01.369=1 WOOD OAK (BT4)  
01.47=1 WHITE

K200L 160159076      K202L 160159104  
K200R 160159083      K203R 160159111  
K201L 160159090  
K201R 160159097

<b>R&amp;D REVIEW</b>	
<input checked="" type="checkbox"/>	DWG.Customer
<input type="checkbox"/>	Work Report
<input type="checkbox"/>	Function
<input type="checkbox"/>	สินค้าตรงตัวอย่าง
ผู้ทบทวน <u>P.SAWA</u>	
_____/_____/_____	



<b>Model</b>	-ASPIRE_VIBHA_DLOMV60H		
<b>Creator</b>	SUTTHI.P	<b>.BCP Name</b>	INDEX_C3D_KITCHENPAE
<b>Reviewer</b>		<b>Order</b>	0002327
<b>Approves</b>	<i>P. SAWA</i>	<b>Date</b>	05/03/2025



<b>Model</b>	ASPIRE_VIBHA_DPLT_1200		
<b>Creator</b>	SUTTHI.P	<b>Name</b>	INDEX_C3D_KITCHENPAE
<b>Reviewer</b>		<b>Order</b>	O001748
<b>Approves</b>	<i>P. SAWA</i>	<b>Date</b>	02/07/2024

## **ASPIRE\_VIBHA\_DPLT\_1200-1200X9X100**

### **Colour**

05.67=ML.WHITE LAVA MARBLE#BT5 (SUPPER MATT)  
05.66=ML.WOOD OAK#BT4 (MATT WOODGRIN)  
20.07=ML.WHITE #VM1012 18/18(MATT)

### **Edge**

01.380=1 ML.WHITE LAVA MARBLE BT5  
01.369=1 WOOD OAK (BT4)  
01.47=1 WHITE

**K100L 160148633**

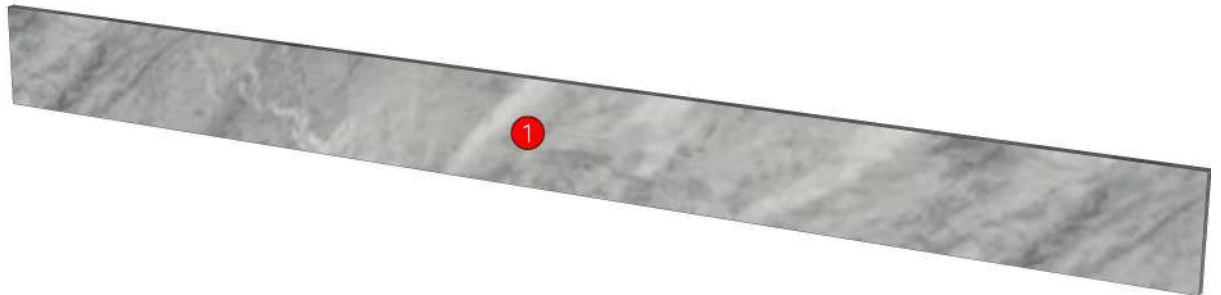
**K100R 160126713**

**K200L 160159076**

**K200R 160159083**

**K203R 160159111**

<b>R&amp;D REVIEW</b>	
<input checked="" type="checkbox"/>	DWG.Customer
<input type="checkbox"/>	Work Report
<input type="checkbox"/>	Function
<input type="checkbox"/>	สินค้าตรงตัวอย่าง
ผู้ทบทวน <u>P.SAWA</u>	
____/____/____	



<b>Model</b>	-ASPIRE_VIBHA_DPLT_1200		
<b>Creator</b>	SUTTHI.P	<b>Name</b>	INDEX_C3D_KITCHENPAE
<b>Reviewer</b>		<b>Order</b>	0001748
<b>Approves</b>	<i>P. SAWA</i>	<b>Date</b>	02/07/2024



<b>Model</b>	ASPIRE_VIBHA_DPLT_600		
<b>Creator</b>	SUTTHI.P	<b>Name</b>	INDEX_C3D_KITCHENPAE
<b>Reviewer</b>		<b>Order</b>	O001752
<b>Approves</b>	P. SAWA	<b>Date</b>	02/07/2024

## ASPIRE\_VIBHA\_DPLT\_600-600X9X100

**Colour**

05.67=ML.WHITE LAVA MARBLE#BT5 (SUPPER MATT)  
05.66=ML.WOOD OAK#BT4 (MATT WOODGRIN)  
20.07=ML.WHITE #VM1012 18/18(MATT)

**Edge**

01.380=1 ML.WHITE LAVA MARBLE BT5  
01.369=1 WOOD OAK (BT4)  
01.47=1 WHITE

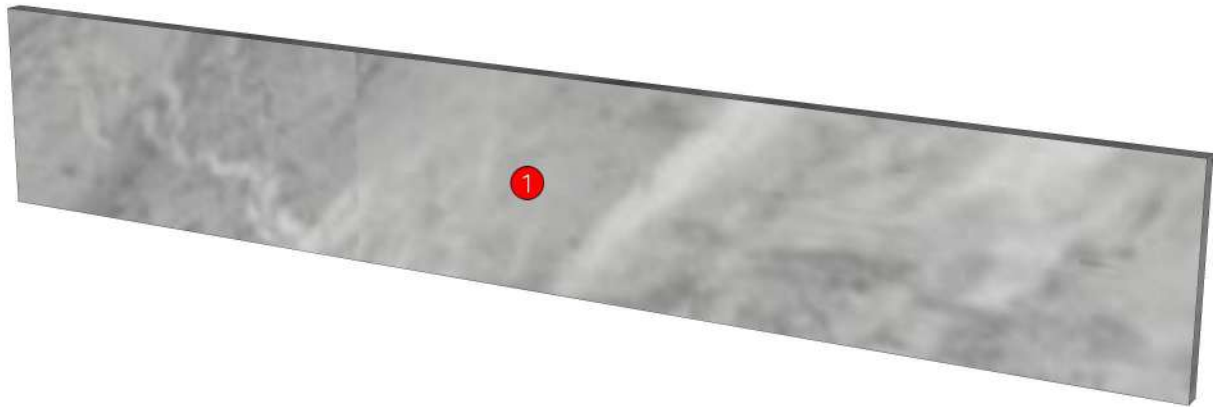
- |                 |                 |
|-----------------|-----------------|
| K100L 160148633 | K200L 160159076 |
| K100R 160126713 | K200R 160159083 |
| K101L 160148640 | K201L 160159090 |
| K101R 160148648 | K201R 160159097 |
| K102R 160148656 | K203R 160159111 |
| K103L 160146717 | K301L 160159118 |
| K105R 160148664 | K302R 160159126 |
| K106R 160148672 |                 |
| K107R 160148680 |                 |

**R&D REVIEW**

- DWG.Customer
- Work Report
- Function
- สินค้าตรงตัวอย่าง

ผู้ทบทวน P.SAWA

\_\_\_\_/\_\_\_\_/\_\_\_\_



<b>Model</b>	-ASPIRE_VIBHA_DPLT_600		
<b>Creator</b>	SUTTHI.P	<b>Name</b>	INDEX_C3D_KITCHENPAE
<b>Reviewer</b>		<b>Order</b>	0001752
<b>Approves</b>	<i>P. SAWA</i>	<b>Date</b>	02/07/2024

