

Model	CHIWATHAI_DBD20		
Creator	PASATHORN	.BCP Name	INDEX_C3D_KITCHEN2
Reviewer		Order	I003970
Approves	P.SAWAI	Date	27/02/2025

CHIWATHAI_DBD20-200X570X838

Colour

20.110 ML.MD206 BEIGE (PEARL)
20.111 ML.MD681 COLUMBUS (EVELYN)

Edge

01.319 1 MFI599 PEARL
01.444 1 MD681



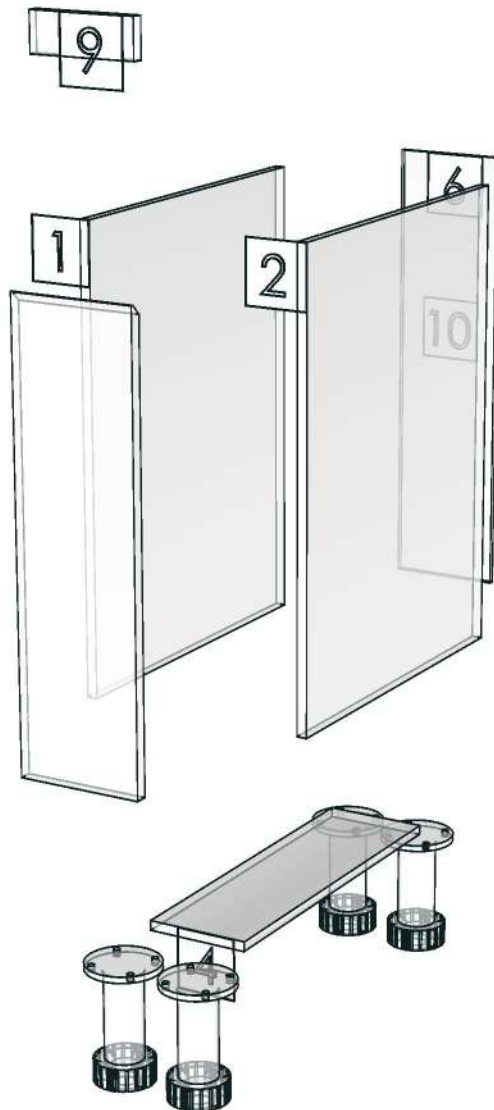
R&D REVIEW	
<input checked="" type="checkbox"/>	DWG.Customer
<input checked="" type="checkbox"/>	Work Report
<input type="checkbox"/>	Function
<input type="checkbox"/>	สินค้าตรงตัวอย่าง
ผู้ทบทวน <u>P.SAWAI</u>	
<u>27/02/2025</u>	

K302L-160157268

K302R-160159893



Model	-CHIWATHAI_DBD20		
Creator		.BCP Name	INDEX_C3D_KITCHEN2
Reviewer		Order	I003970
Approves		Date	



Model	CHIWATHAI_DBH602R		
Creator	PASATHORN	.BCP Name	INDEX_C3D_KITCHEN2
Reviewer		Order	I003974
Approves		Date	27/02/2025

CHIWATHAI_DBH602R-600X570X838

Colour

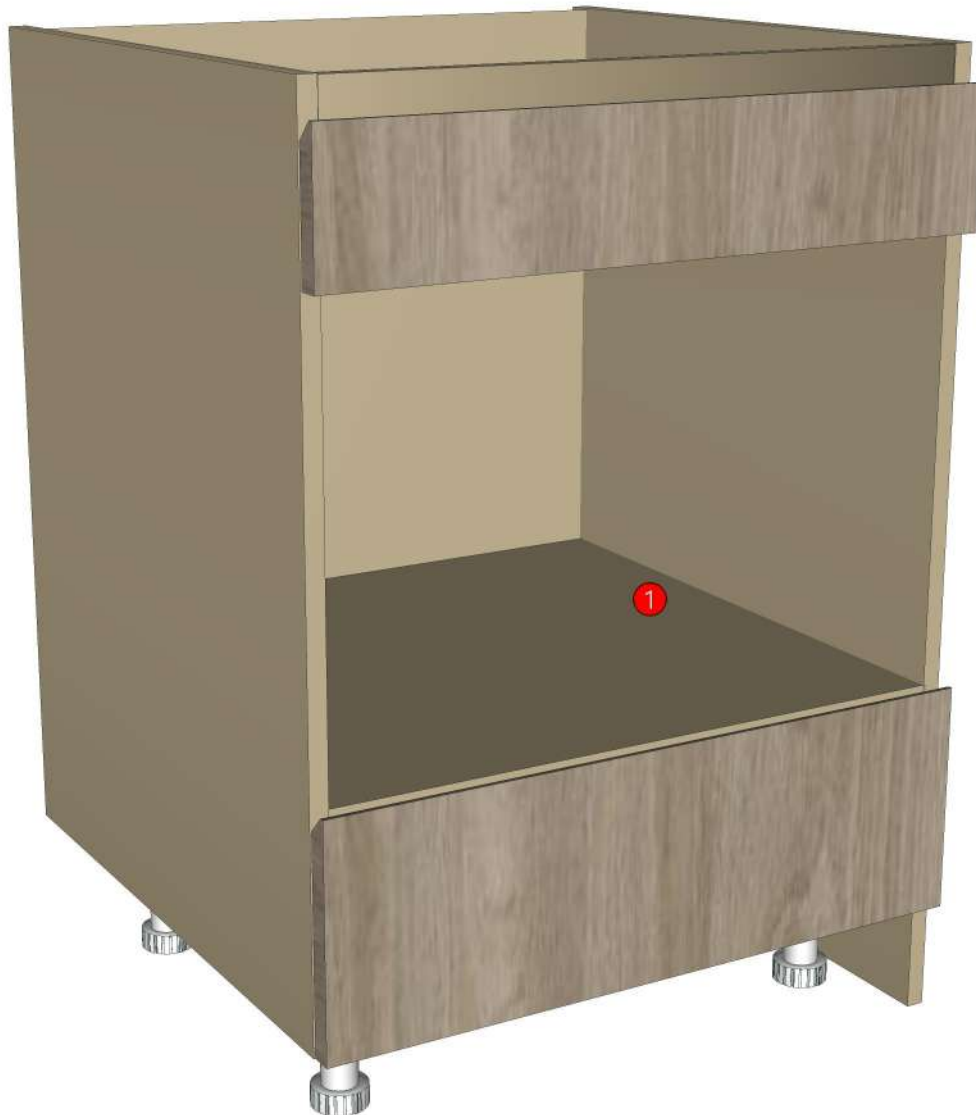
20.110 ML.MD206 BEIGE (PEARL)_
20.111 ML.MD681 COLUMBUS (EVELYN)_
-
-
K300L-160157253
-
K301L-160157260
-
K302L-160157268

Edge

01.319 1 MFI599 PEARL _ED
01.444 1 MD681 _
-
-
-

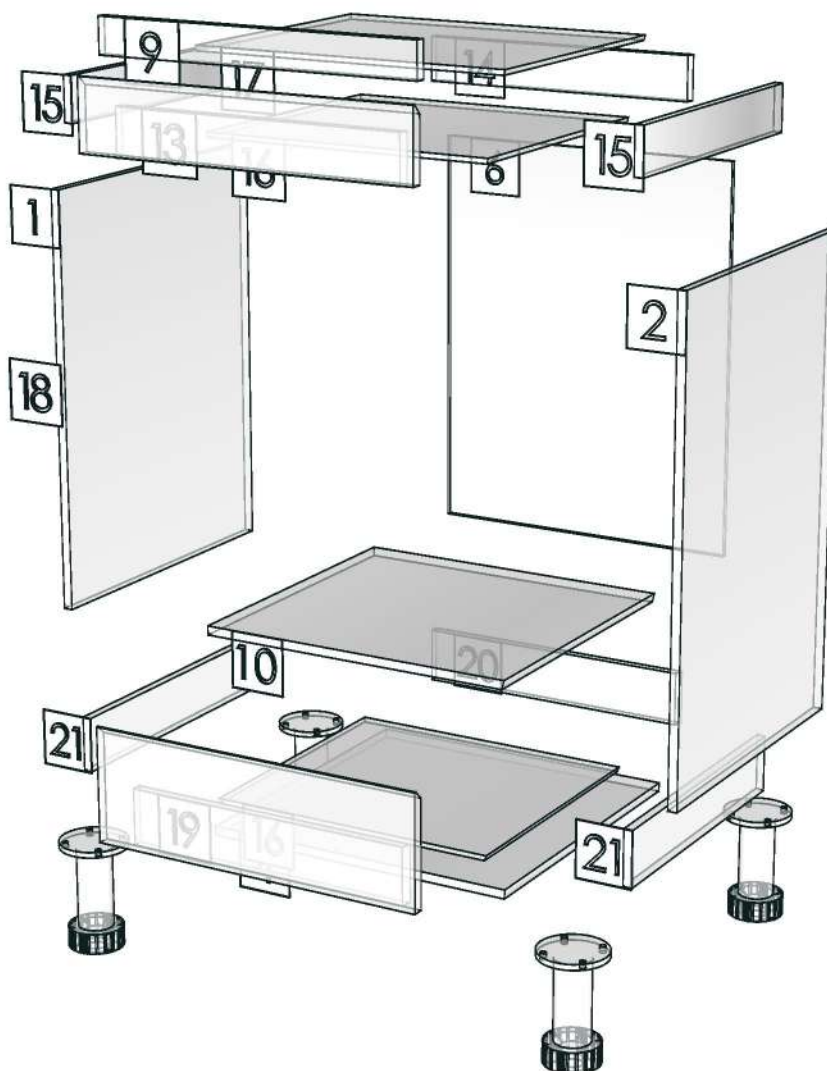


R&D REVIEW	
<input checked="" type="checkbox"/>	DWG.Customer
<input checked="" type="checkbox"/>	Work Report
<input type="checkbox"/>	Function
<input type="checkbox"/>	สินค้าตรงตัวอย่าง
ผู้ทบทวน _____	



Model	-CHIWATHAI_DBH602R		
Creator		.BCP Name	INDEX_C3D_KITCHEN2
Reviewer		Order	I003974
Approves		Date	

12



Model	CHIWATHAI_DBS60LL		
Creator	PASATHORN	.BCP Name	INDEX_C3D_KITCHEN2
Reviewer		Order	I003971
Approves	P.SAWAI	Date	27/02/2025

CHIWATHAI_DBS60LL-600X570X838

Colour

20.110 ML.MD206 BEIGE (PEARL)
20.111 ML.MD681 COLUMBUS (EVELYN)

Edge

01.319 1 MFI599 PEARL
01.444 1 MD681



R&D REVIEW	
<input checked="" type="checkbox"/>	DWG.Customer
<input checked="" type="checkbox"/>	Work Report
<input type="checkbox"/>	Function
<input type="checkbox"/>	สินค้าตรงตัวอย่าง
ผู้ทบทวน <u>P.SAWAI</u>	
<u>27/2/25</u>	

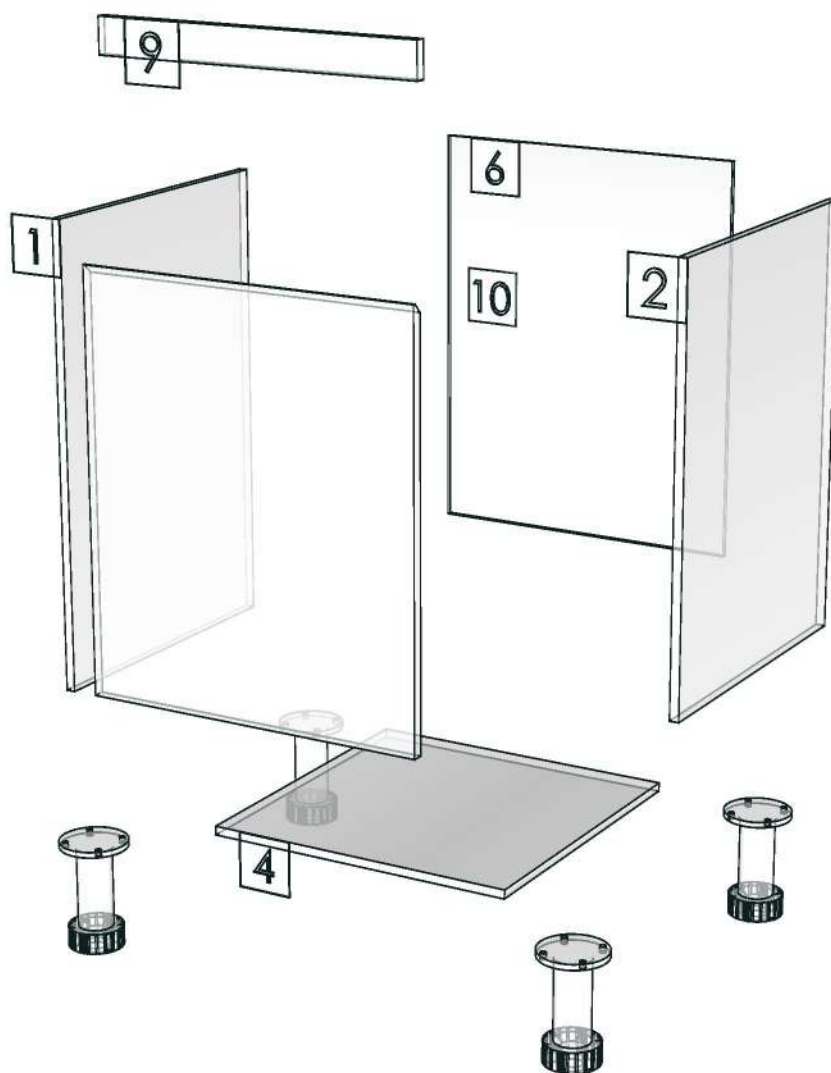
K300L-160157253

K301L-160157260

K302L-160157268



Model	-CHIWATHAI_DBS60LL		
Creator		.BCP Name	INDEX_C3D_KITCHEN2
Reviewer		Order	I003971
Approves		Date	



Model	CHIWATHAI_DFB		
Creator	PASATHORN	.BCP Name	INDEX_C3D_KITCHEN2
Reviewer		Order	I003965
Approves	P.SAWAI	Date	08/05/68

CHIWATHAI_DFB-150X16X838

Colour

20.111 ML.MD681 COLUMBUS (EVELYN)_

-
-
-
-

Edge

01.444 1 MD681 _ED

-
-
-
-



R&D REVIEW

- DWG.Customer
- Work Report
- Function
- สินค้าตรงตัวอย่าง

ผู้ทบทวน P.SAWAI
08/05/68

K301L-160157260

K301R-160159885

K302L-160157268

K302R-160159893



Model	CHIWATHAI_DFB		
Creator	PASATHORN	.BCP Name	INDEX_C3D_KITCHEN2
Reviewer		Order	I003965
Approves	P.SAWAI	Date	08/05/68

No.	Article No.	Description	Mat	Dimension	Cutting Size	Typepology	Skin
0	CHIWATHAI_DFB CHIWATHAI_DFB-31	CHIWATHAI_DFB Front DF_ED-SP	PB-SP	150x838x16 16x150x838	16X149X836;L1:W2	186000_STR=20.111_EDG=MD681-1	2



Model	CHIWATHAI_DFL		
Creator	PASATHORN	.BCP Name	INDEX_C3D_KITCHEN2
Reviewer		Order	I003966
Approves		Date	27/02/2025

CHIWATHAI_DFL-150X16X800

Colour

20.110 ML.MD206 BEIGE (PEARL)_

-
-
-
-

Edge

01.319 1 MFI599 PEARL _ED

-
-
-
-



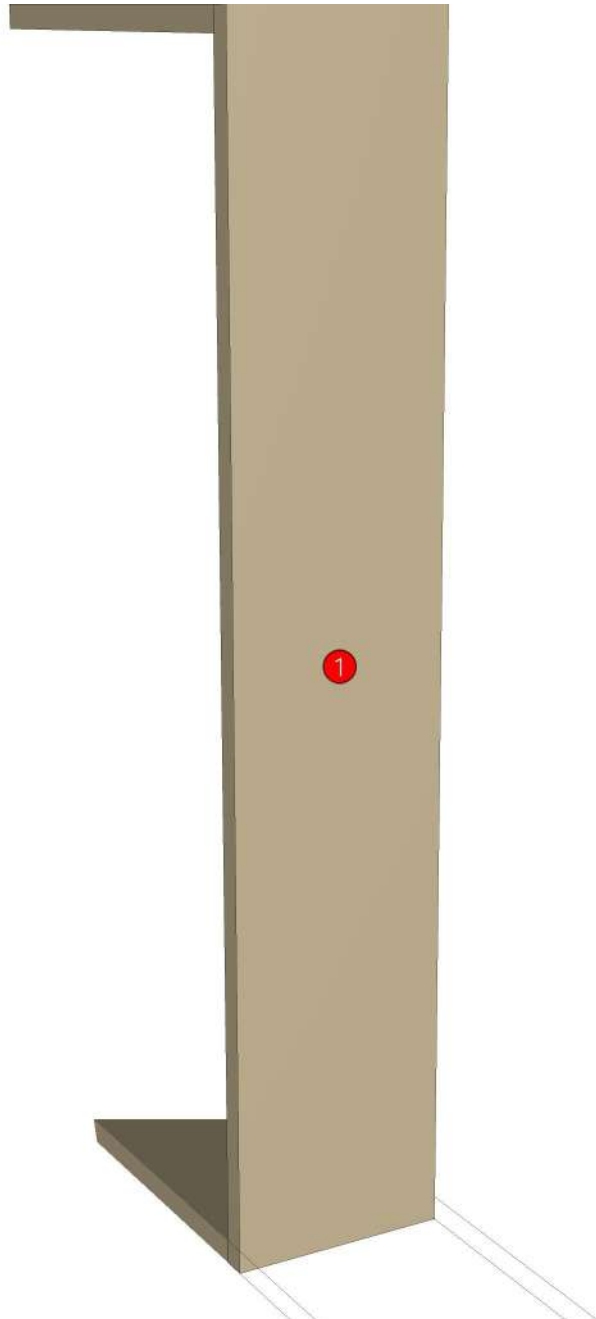
R&D REVIEW	
<input checked="" type="checkbox"/>	DWG.Customer
<input checked="" type="checkbox"/>	Work Report
<input type="checkbox"/>	Function
<input type="checkbox"/>	สินค้าตรงตัวอย่าง
ผู้ทบทวน _____	

K301L-160157260

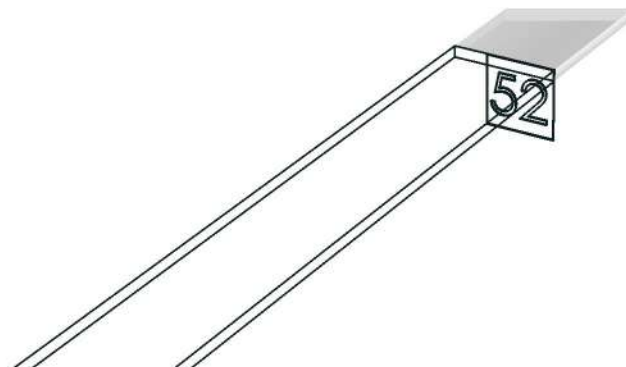
K301R-160159885

K302L-160157268

K302R-160159893



Model	-CHIWATHAI_DFL		
Creator		.BCP Name	INDEX_C3D_KITCHEN2
Reviewer		Order	I003966
Approves		Date	



Model	CHIWATHAI_DF_CL1600		
Creator	PASATHORN	.BCP Name	INDEX_C3D_KITCHEN2
Reviewer		Order	I003964
Approves		Date	27/02/2025

CHIWATHAI_DF_CL1600-1600X16X150

Colour

20.110 ML.MD206 BEIGE (PEARL)_

-
-
-
-

Edge

01.319 1 MFI599 PEARL _ED

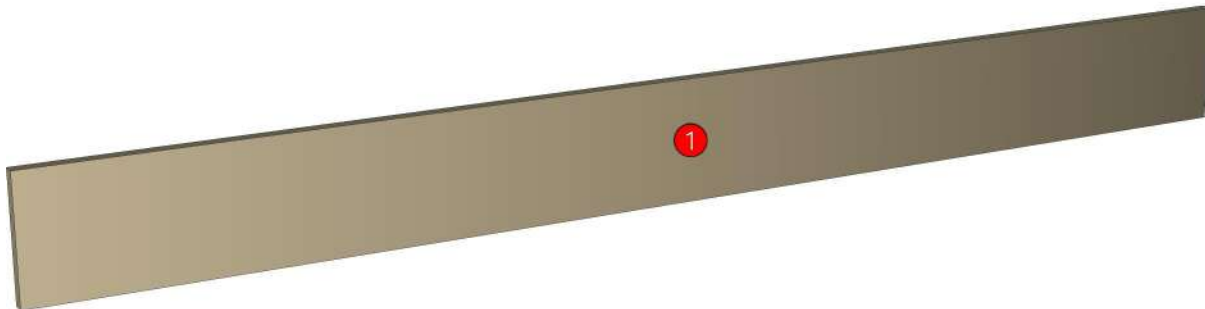
-
-
-
-



R&D REVIEW	
<input checked="" type="checkbox"/>	DWG.Customer
<input checked="" type="checkbox"/>	Work Report
<input type="checkbox"/>	Function
<input type="checkbox"/>	สินค้าตรงตัวอย่าง
ผู้ทบทวน _____	

K302L-160157268

K302R-160159893



Model	CHIWATHAI_DF_CL1600		
Creator	PASATHORN	.BCP Name	INDEX_C3D_KITCHEN2
Reviewer		Order	I003964
Approves		Date	27/02/2025

No.	Article No.	Description	Mat	Dimension	Cutting Size	Typepology	Skin
0	CHIWATHAI_DF_1600 CHIWATHAI_DF_CL1600-01	CHIWATHAI_DF_CL1600 DFCL_ED-SP	PB-SP	1600x150x16 16x150x1600	16X149X1600;L1:W0	183000_STR=20.110_EDG=MFI599 PEARL-1	2



Model	CHIWATHAI_DL60HR		
Creator	PASATHORN	.BCP Name	INDEX_C3D_KITCHEN2
Reviewer		Order	I003976
Approves		Date	28/02/2025

CHIWATHAI_DL60HR-600X300X760

Colour

20.110 ML.MD206 BEIGE (PEARL)_

-

-

-

K300L-160157253

K301L-160157260

K302L-160157268

Edge

01.319 1 MFI599 PEARL _ED

-

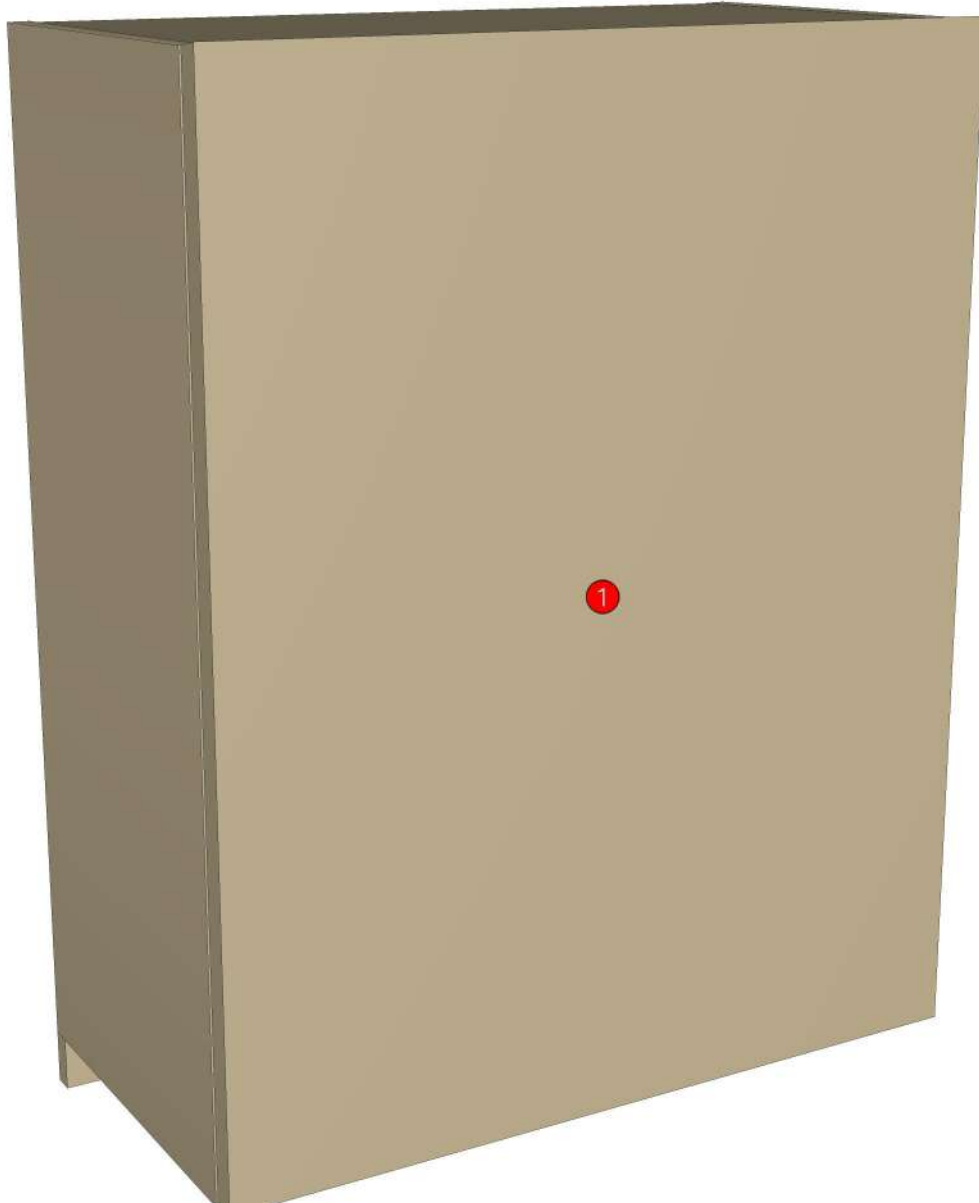
-

-

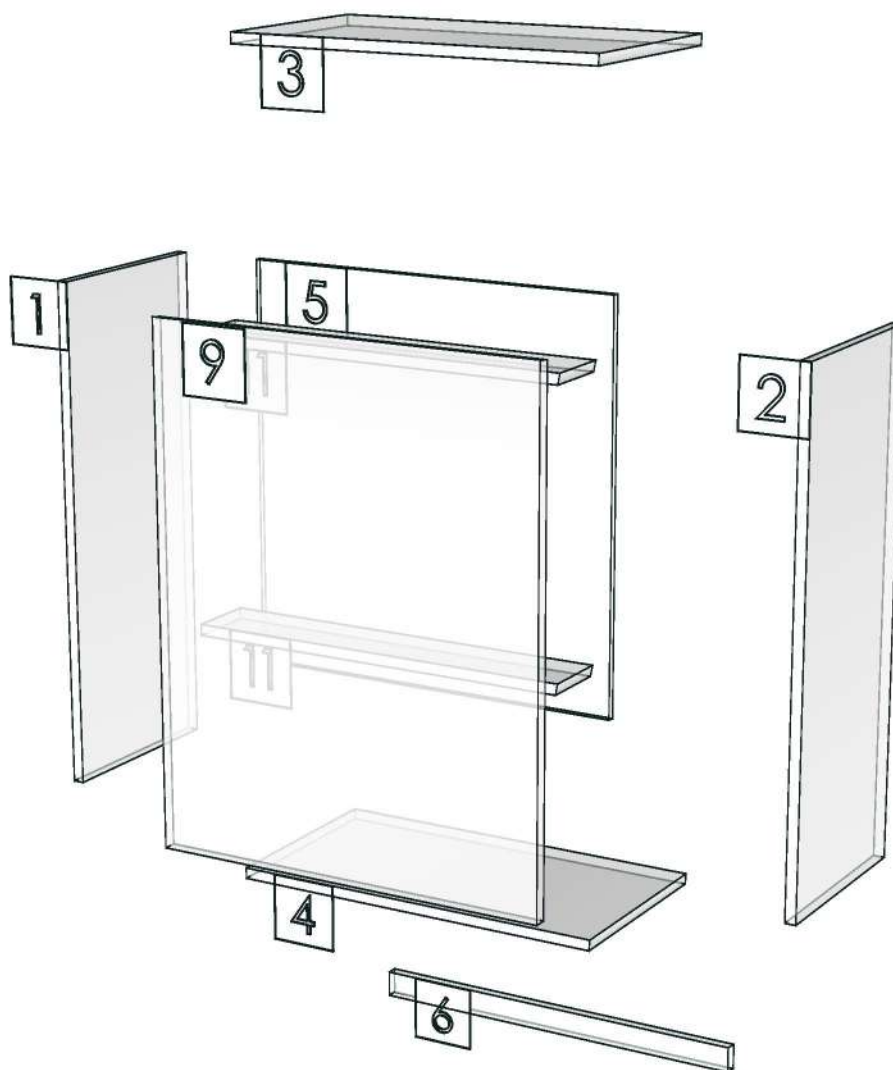
-



R&D REVIEW	
<input checked="" type="checkbox"/>	DWG.Customer
<input checked="" type="checkbox"/>	Work Report
<input type="checkbox"/>	Function
<input type="checkbox"/>	สินค้าตรงตัวอย่าง
ผู้ทบทวน _____	



Model	-CHIWATHAI_DL60HR		
Creator		.BCP Name	INDEX_C3D_KITCHEN2
Reviewer		Order	I003976
Approves		Date	



Model	CHIWATHAI_DLO80LS		
Creator	PASATHORN	.BCP Name	INDEX_C3D_KITCHEN2
Reviewer		Order	I003969
Approves		Date	27/02/2025

CHIWATHAI_DLO80LS-800X300X800

Colour

20.110 ML.MD206 BEIGE (PEARL)_

-
-
-
-

Edge

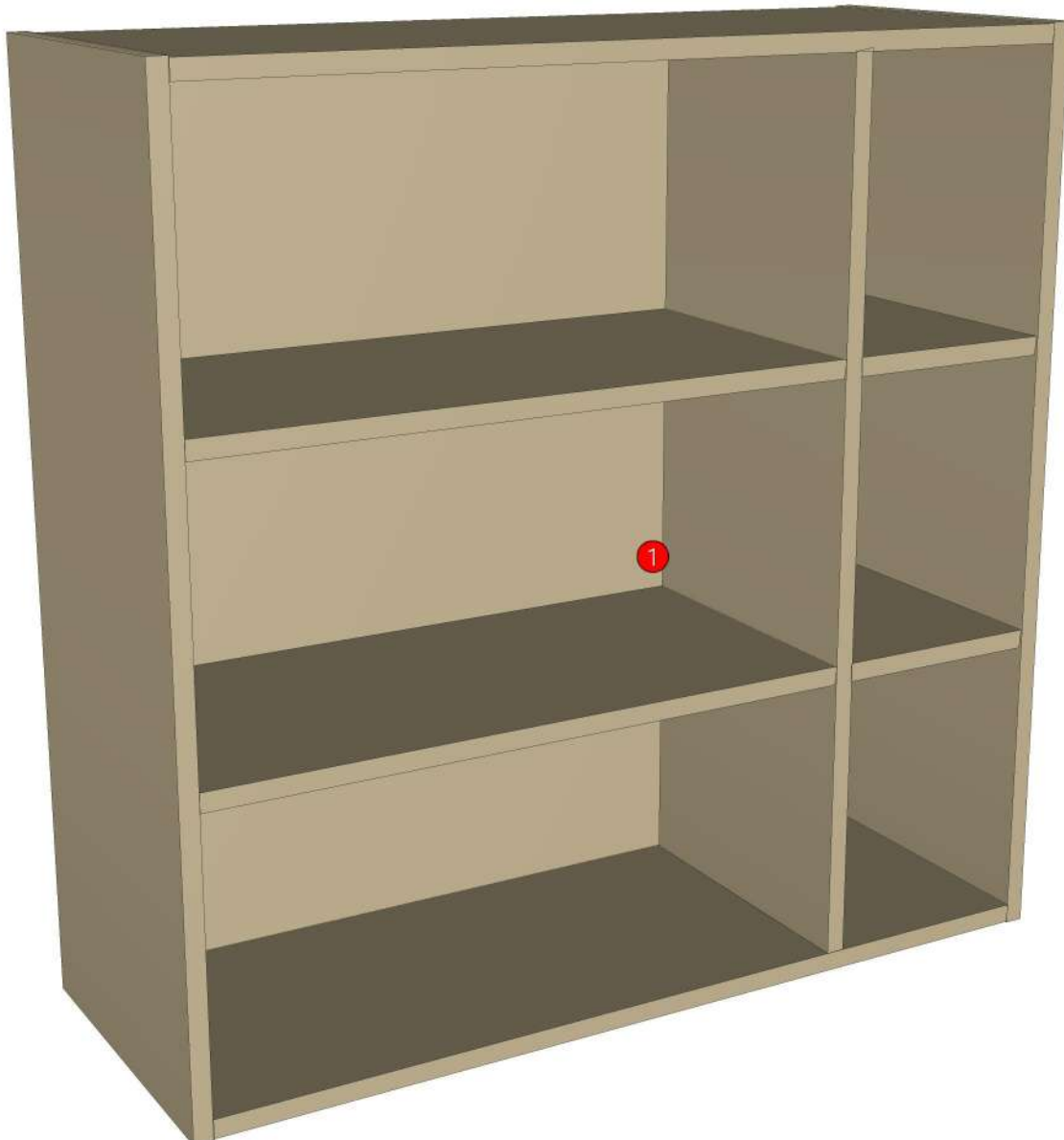
01.319 1 MFI599 PEARL _ED

-
-
-
-

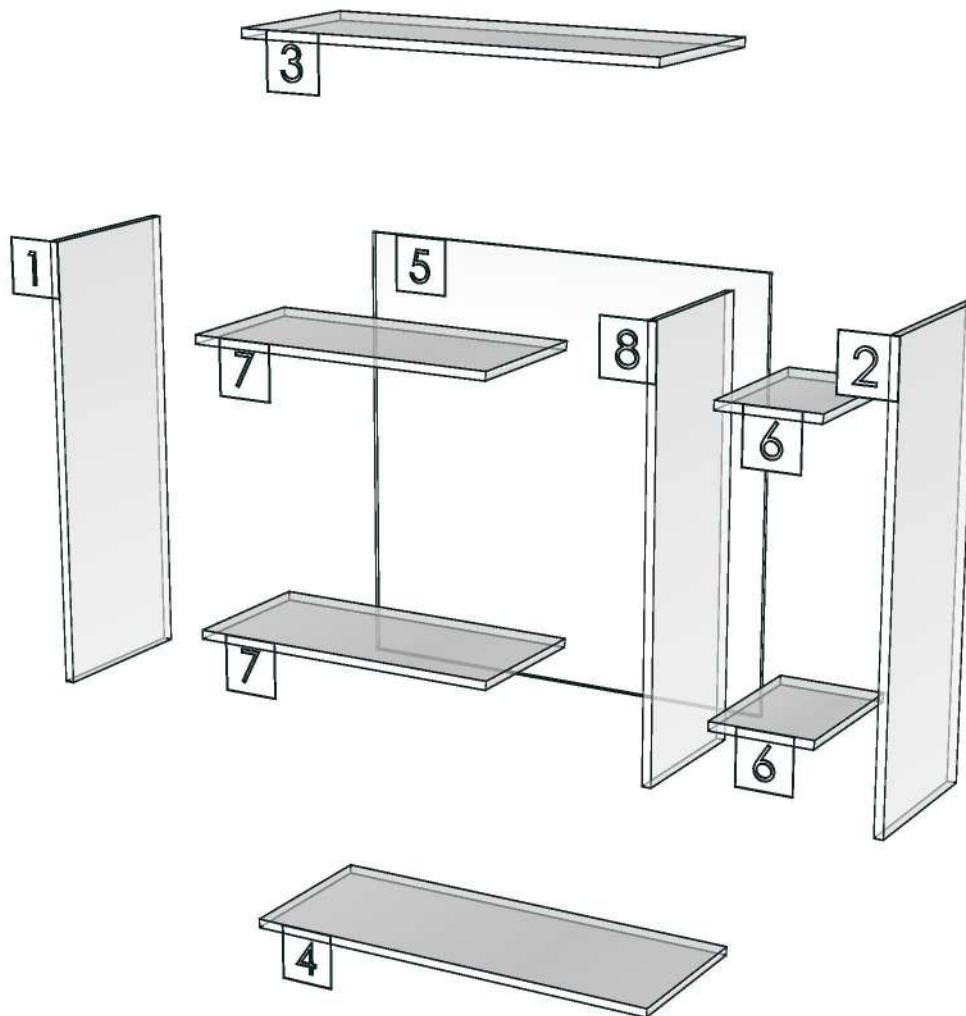


R&D REVIEW	
<input checked="" type="checkbox"/>	DWG.Customer
<input checked="" type="checkbox"/>	Work Report
<input type="checkbox"/>	Function
<input type="checkbox"/>	สินค้าตรงตัวอย่าง
ผู้ทบทวน _____	

K302L-160157268



Model	-CHIWATHAI_DLO80LS		
Creator		.BCP Name	INDEX_C3D_KITCHEN2
Reviewer		Order	I003969
Approves		Date	



Model	CHIWATHAI_D_PLT1368		
Creator	PASATHORN	.BCP Name	INDEX_C3D_KITCHEN2
Reviewer		Order	I003960
Approves		Date	27/02/2025

CHIWATHAI_D_PLT1368-1368X9X100

Colour

20.110 ML.MD206 BEIGE (PEARL)_

-
-
-
-

Edge

01.319 1 MFI599 PEARL _ED

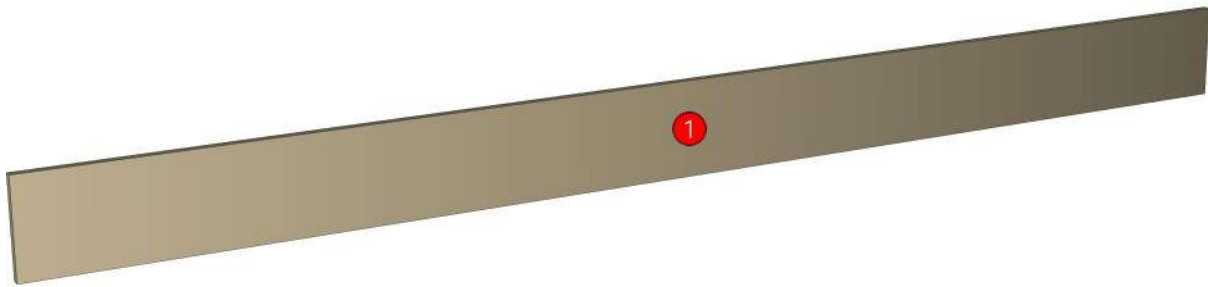
-
-
-
-



R&D REVIEW	
<input checked="" type="checkbox"/>	DWG.Customer
<input checked="" type="checkbox"/>	Work Report
<input type="checkbox"/>	Function
<input type="checkbox"/>	สินค้าตรงตัวอย่าง
ผู้ทบทวน _____	

K302L-160157268

K302R-160159893



Model	CHIWATHAI_D_PLT1368		
Creator	PASATHORN	.BCP Name	INDEX_C3D_KITCHEN2
Reviewer		Order	I003960
Approves		Date	27/02/2025

No.	Article No.	Description	Mat	Dimension	Cutting Size	Typepology	Skin
0	CHIWATHAI_D_PLT1368 CHIWATHAI_D_PLT1368-01	CHIWATHAI_D_PLT1368 D_PLINT_ED-SP	PB-SP	1368x100x9 9x100x1368	9X98X1366;L2:W2	183000_STR=20.110_EDG=MFI599 PEARL-1	2