

Model	ROMM_CONVECT_DB115L_1		
Creator	SUTTHI.P	.BCP Name	INDEX_C3D_KITCHENPAE
Reviewer		Order	O002468
Approves	<i>P. SAWA</i>	Date	06/06/2025

ROMM_CONVECT_DB115L_1-1150X570X830

Colour

04.69=PB-E1 4'X8'T LAMINATE WILMIKA TEXT NO. W3125-16
 04.691=ALVIC LUMAX-SPP/4'X10'X18MM.-BLANCO SUPPERMATT(LX8)
 04.692=PB-E1 4'X9'T. LAMINA WILMIKA TEXT NO. W3125-16
 04.693=HPL WILMIKA NO. W3125-16/HPL.TD#9201 PL

Edge

01.405=1 DWK3125AT
 01.4051=1 WHITE 01016

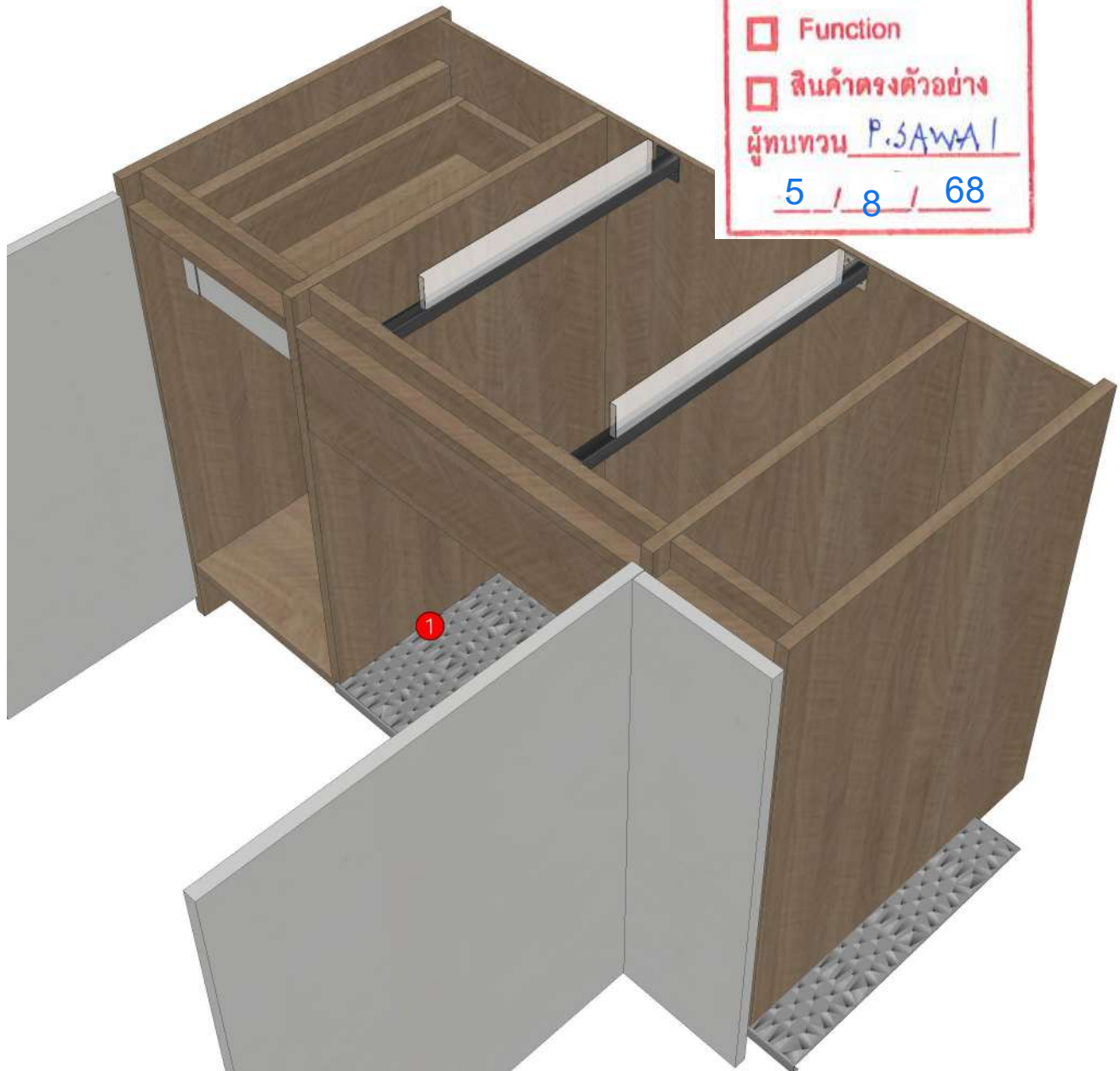
K11L 160152691

R&D REVIEW

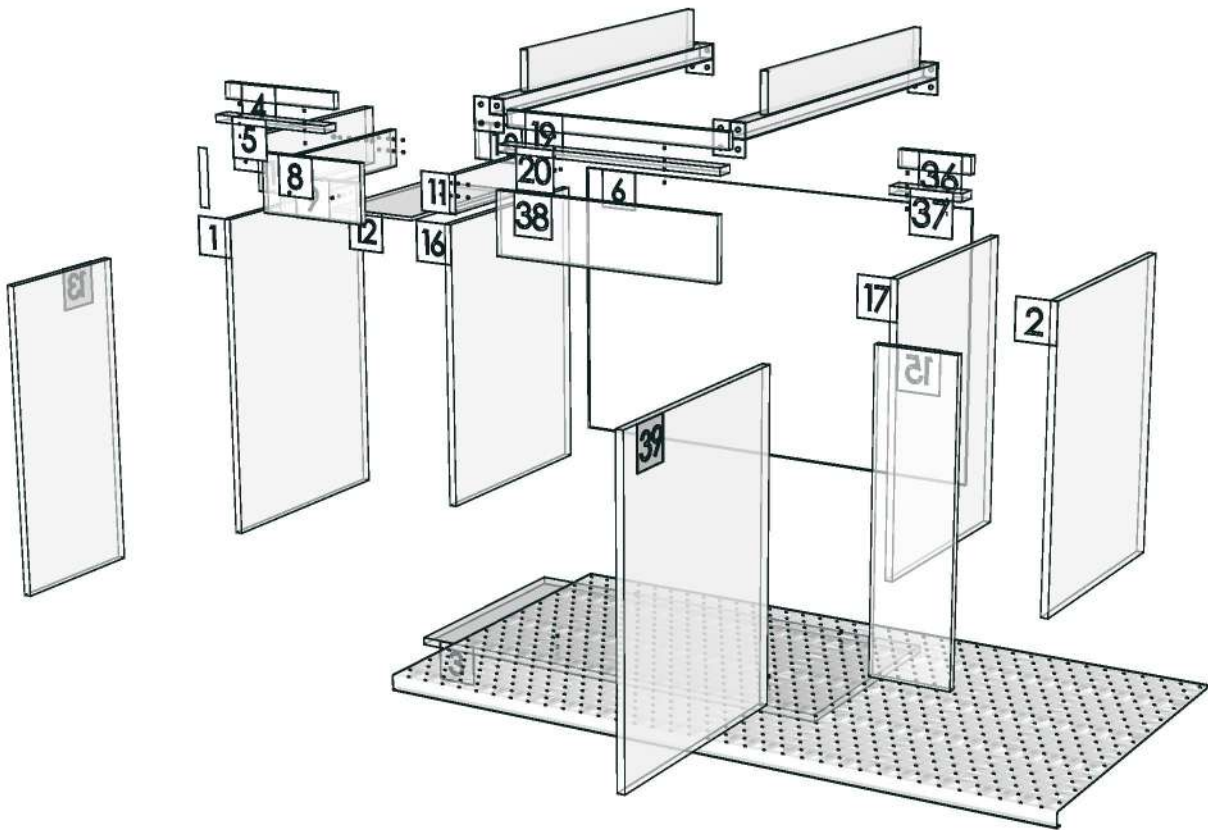
- DWG.Customer
- Work Report
- Function
- สินค้าตรงตัวอย่าง

ผู้ทบทวน P.SAWA

5 / 8 / 68



Model	-ROMM_CONVECT_DB115L_1		
Creator	SUTTHI.P	.BCP Name	INDEX_C3D_KITCHENPAE
Reviewer		Order	O002468
Approves	<i>P. SAWA</i>	Date	06/06/2025



Model	ROMM_CONVECT_DB162I_1		
Creator	SUTTHI.P	.BCP Name	INDEX_C3D_KITCHENPAE
Reviewer		Order	O002470
Approves	<i>P. SAWA I</i>	Date	06/06/2025

ROMM_CONVECT_DB162I_1-1620X570X760

Colour

04.69=PB-E1 4'X8'T LAMINATE WILMIKA TEXT NO. W3125-16
 04.691=ALVIC LUMAX-SPP/4'X10'X18MM.-BLANCO SUPPERMATT(LX8)
 04.692=PB-E1 4'X9'T.18/2 LAMINA WILMIKA TEXT NO. W3125-16
 04.693=HPL WILMIKA NO. W3125-16/HPL.TD#9201 PL

Edge

01.405=1 DWK3125AT
 01.4051=1 WHITE 01016

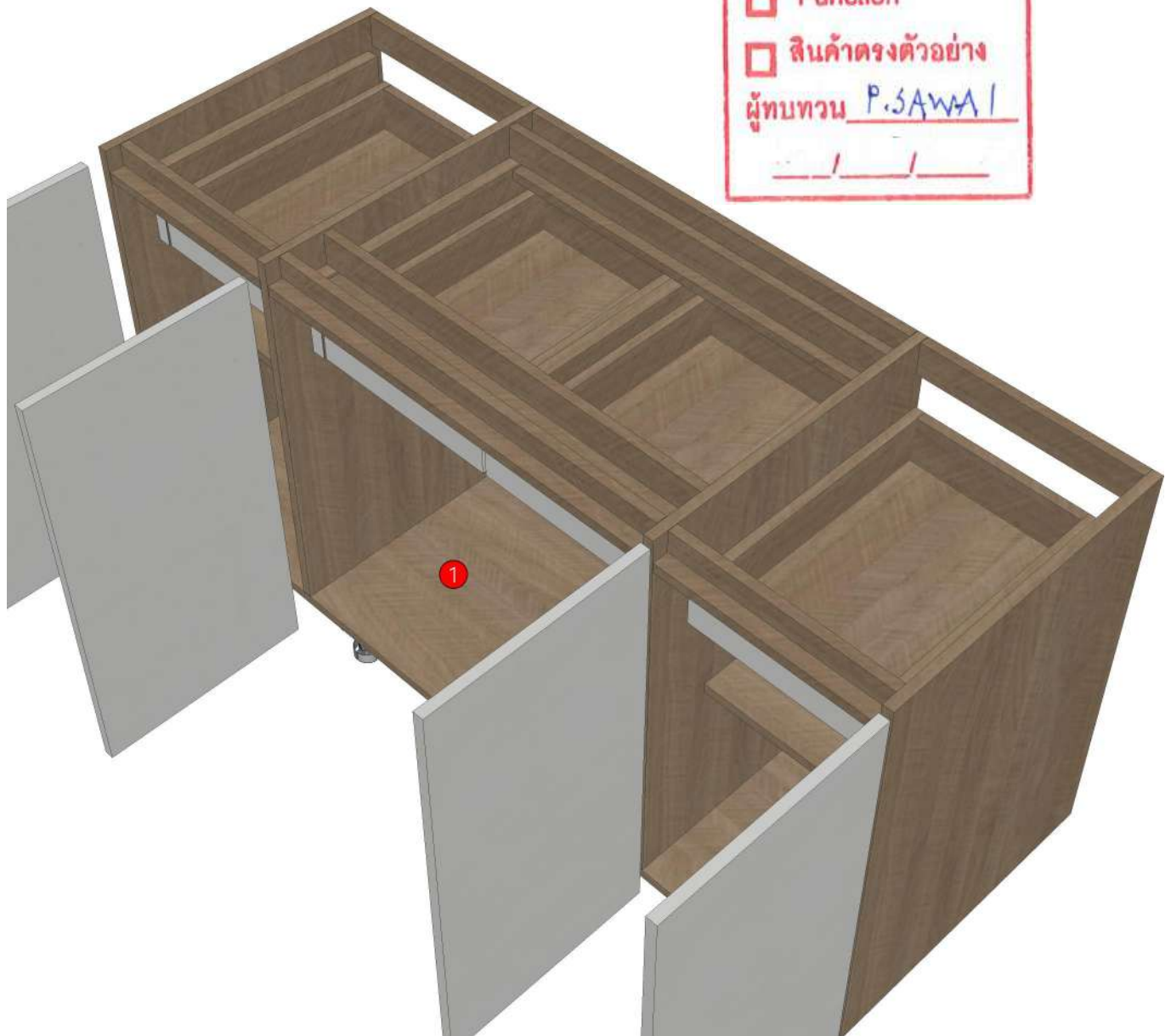
K11L 160152691

R&D REVIEW

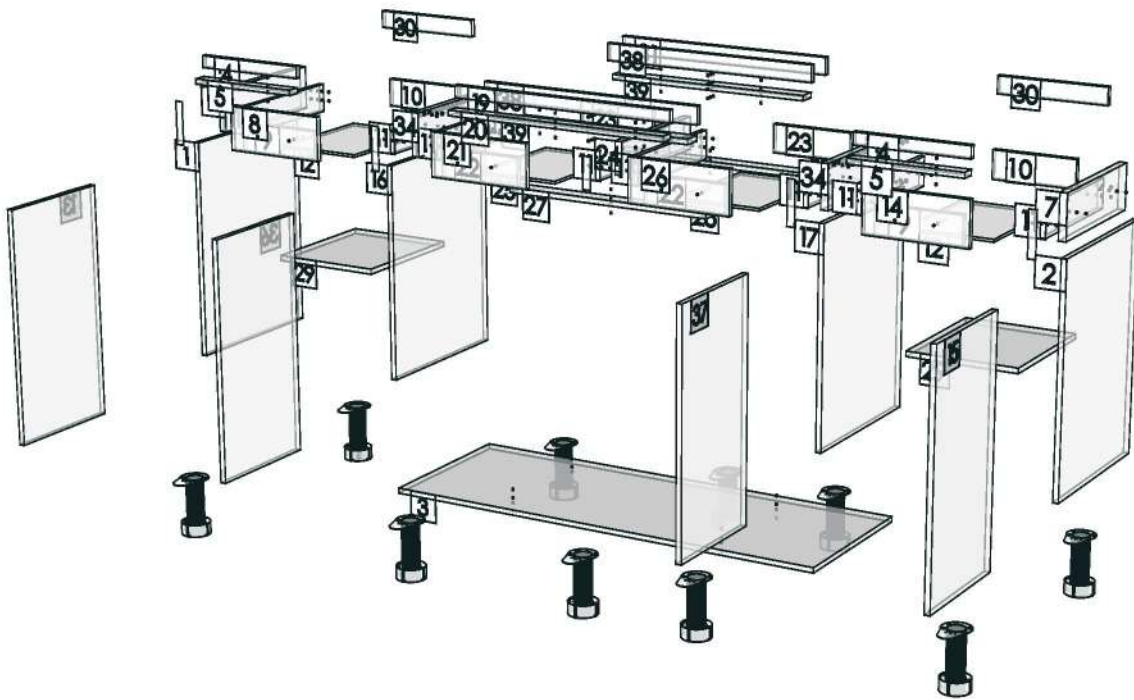
- DWG.Customer
- Work Report
- Function
- สินค้าตรงตัวอย่าง

ผู้ทบทวน P.SAWA I

____/____/____



Model	-ROMM_CONVECT_DB162I_1		
Creator	SUTTHI.P	.BCP Name	INDEX_C3D_KITCHENPAE
Reviewer		Order	O002470
Approves	<i>P. SAWA</i>	Date	06/06/2025



Model	ROMM_CONVECT_DBC80_33LS_1		
Creator	SUTTHI.P	.BCP Name	INDEX_C3D_KITCHENPAE
Reviewer		Order	O002483
Approves	<i>P.SAWA</i>	Date	06/06/2025

ROMM_CONVECT_DBC80_33LS_1-800X570X830

Colour

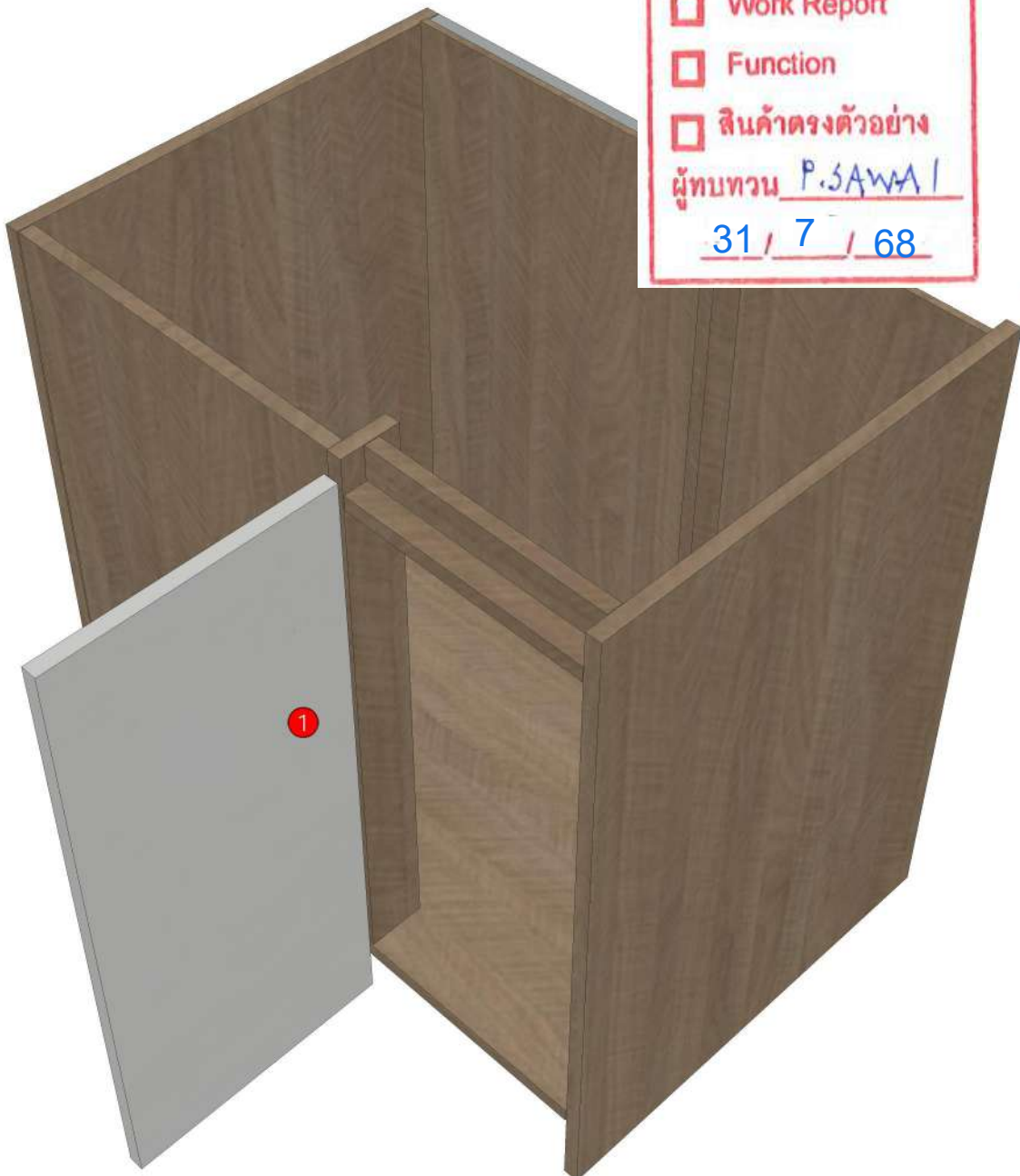
04.69=PB-E1 4'X8'T LAMINATE WILMIKA TEXT NO. W3125-16
04.691=ALVIC LUMAX-SPP/4'X10'X18MM.-BLANCO SUPPERMATT(LX8
06.01=TEXTURE DEAD STOCK
04.693=HPL WILMIKA NO. W3125-16/HPL.TD#9201 PL

Edge

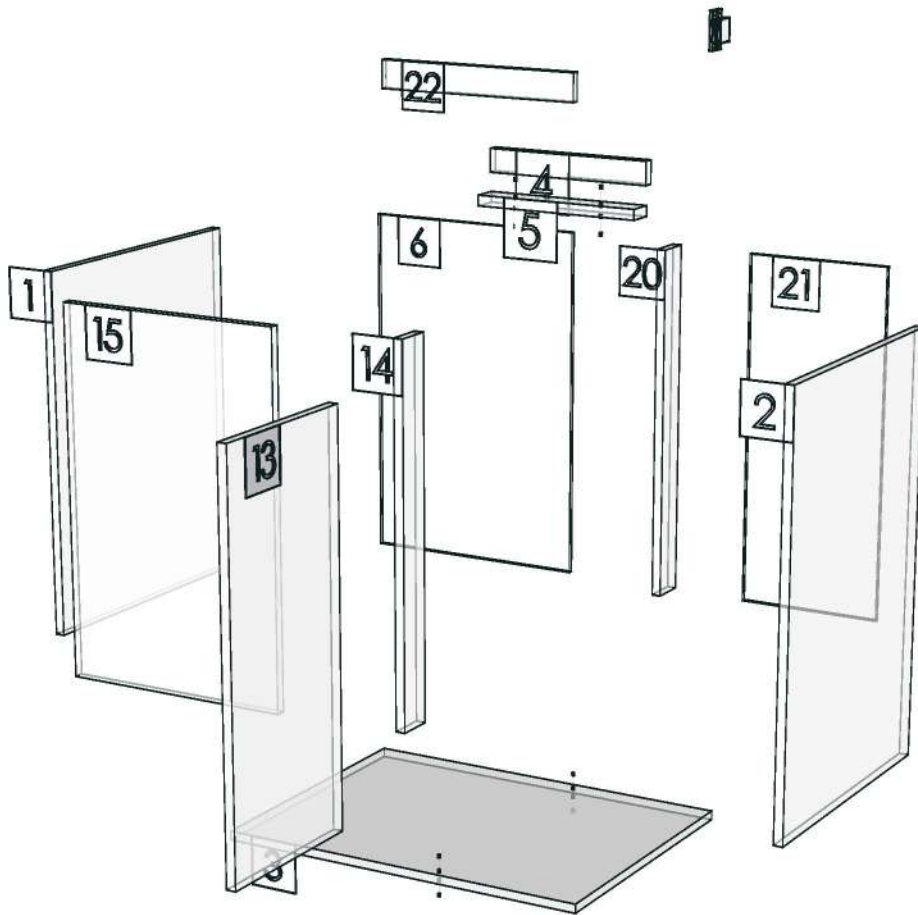
01.405=1 DWK3125AT
01.4051=1 WHITE 01016

K11L 160152691

R&D REVIEW	
<input checked="" type="checkbox"/>	DWG.Customer
<input type="checkbox"/>	Work Report
<input type="checkbox"/>	Function
<input type="checkbox"/>	สินค้าตรงตัวอย่าง
ผู้ทบทวน <u>P.SAWA</u>	
<u>31 / 7 / 68</u>	



Model	-ROMM_CONVECT_DBC80_33LS_1		
Creator	SUTTHI.P	.BCP Name	INDEX_C3D_KITCHENPAE
Reviewer		Order	0002483
Approves	<i>P. SAWA</i>	Date	06/06/2025



Model	ROMM_CONVECT_DBH601_1		
Creator	SUTTHI.P	.BCP Name	INDEX_C3D_KITCHENPAE
Reviewer		Order	O002488
Approves	<i>P. SAWA</i>	Date	06/06/2025

ROMM_CONVECT_DBH601_1-600X570X730

Colour

04.69=PB-E1 4'X8'T LAMINATE WILMIKA TEXT NO. W3125-16
 04.691=ALVIC LUMAX-SPP/4'X10'X18MM.-BLANCO SUPPERMATT(LX8)
 04.692=PB-E1 4'X9'T. LAMINA WILMIKA TEXT NO. W3125-16
 04.693=HPL WILMIKA NO. W3125-16/HPL.TD#9201 PL

Edge

01.405=1 DWK3125AT
 01.4051=1 WHITE 01016

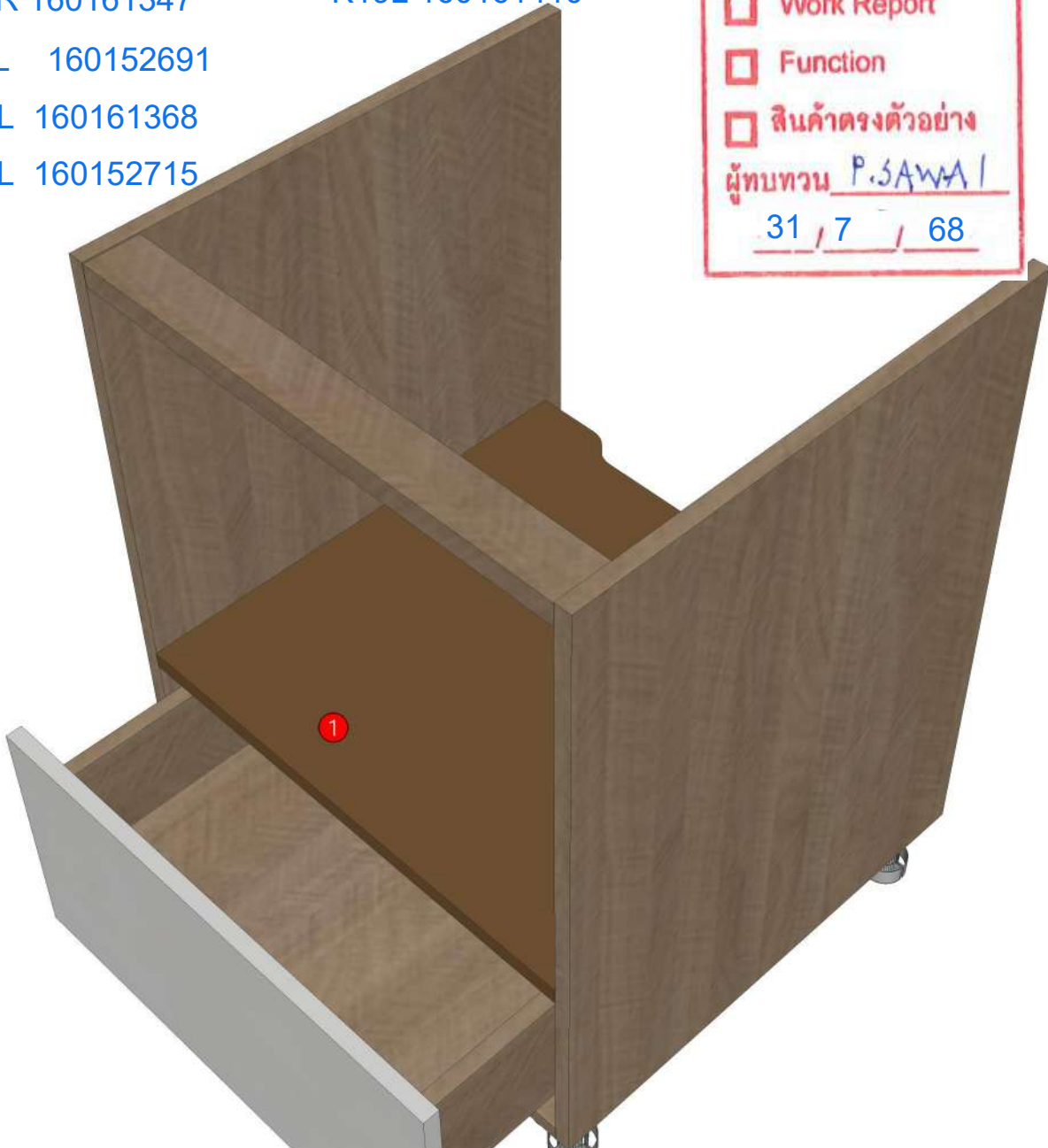
- K5R 160152669 K15R 160152736
- K6L 160160455 K18R 160161391
- K10R 160161347 K19L 160161410
- K11L 160152691
- K13L 160161368
- K14L 160152715

R&D REVIEW

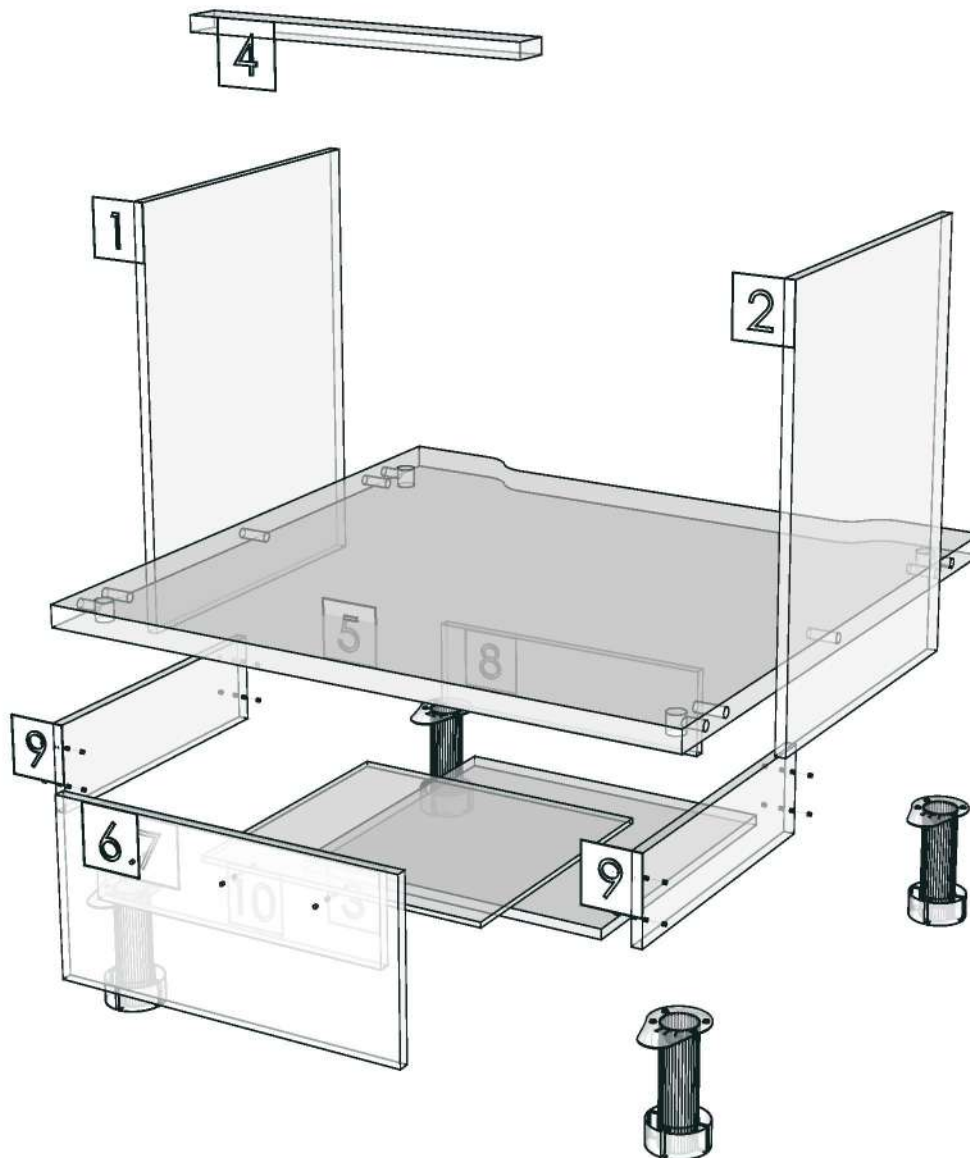
- DWG.Customer
- Work Report
- Function
- สินค้าตรงตัวอย่าง

ผู้ทบทวน P.SAWA

31 / 7 / 68



Model	-ROMM_CONVECT_DBH601_1		
Creator	SUTTHI.P	.BCP Name	INDEX_C3D_KITCHENPAE
Reviewer		Order	O002488
Approves	<i>P. SAWA</i>	Date	06/06/2025



Model	ROMM_CONVECT_DDM_1000_1		
Creator	SUTTHI.P	.BCP Name	INDEX_C3D_KITCHENPAE
Reviewer		Order	O002564
Approves	P. SAWA	Date	12/06/2025

ROMM_CONVECT_DDM_1000_1-1000X18X135

Colour

04.69=PB-E1 4'X8'T LAMINATE WILMIKA TEXT NO. W3125-16
04.691=ALVIC LUMAX-SPP/4'X10'X18MM.-BLANCO SUPPERMATT(LX8)

Edge

01.405=1 DWK3125AT
01.4051=1 WHITE 01016

K11L 160152691

R&D REVIEW	
<input checked="" type="checkbox"/>	DWG.Customer
<input type="checkbox"/>	Work Report
<input type="checkbox"/>	Function
<input type="checkbox"/>	สินค้าตรงตัวอย่าง
ผู้ทบทวน <u>P.SAWA</u>	
<u>5 / 8 / 68</u>	



Model	-ROMM_CONVECT_DDM_1000_1		
Creator	SUTTHI.P	.BCP Name	INDEX_C3D_KITCHENPAE
Reviewer		Order	0002564
Approves	<i>P. SAWA</i>	Date	12/06/2025



Model	ROMM_CONVECT_DDM_1000_6_1		
Creator	SUTTHI.P	.BCP Name	INDEX_C3D_KITCHENPAE
Reviewer		Order	0002565
Approves	<i>P. SAWA</i>	Date	12/06/2025

ROMM_CONVECT_DDM_1000_6_1-1000X6X375

Colour

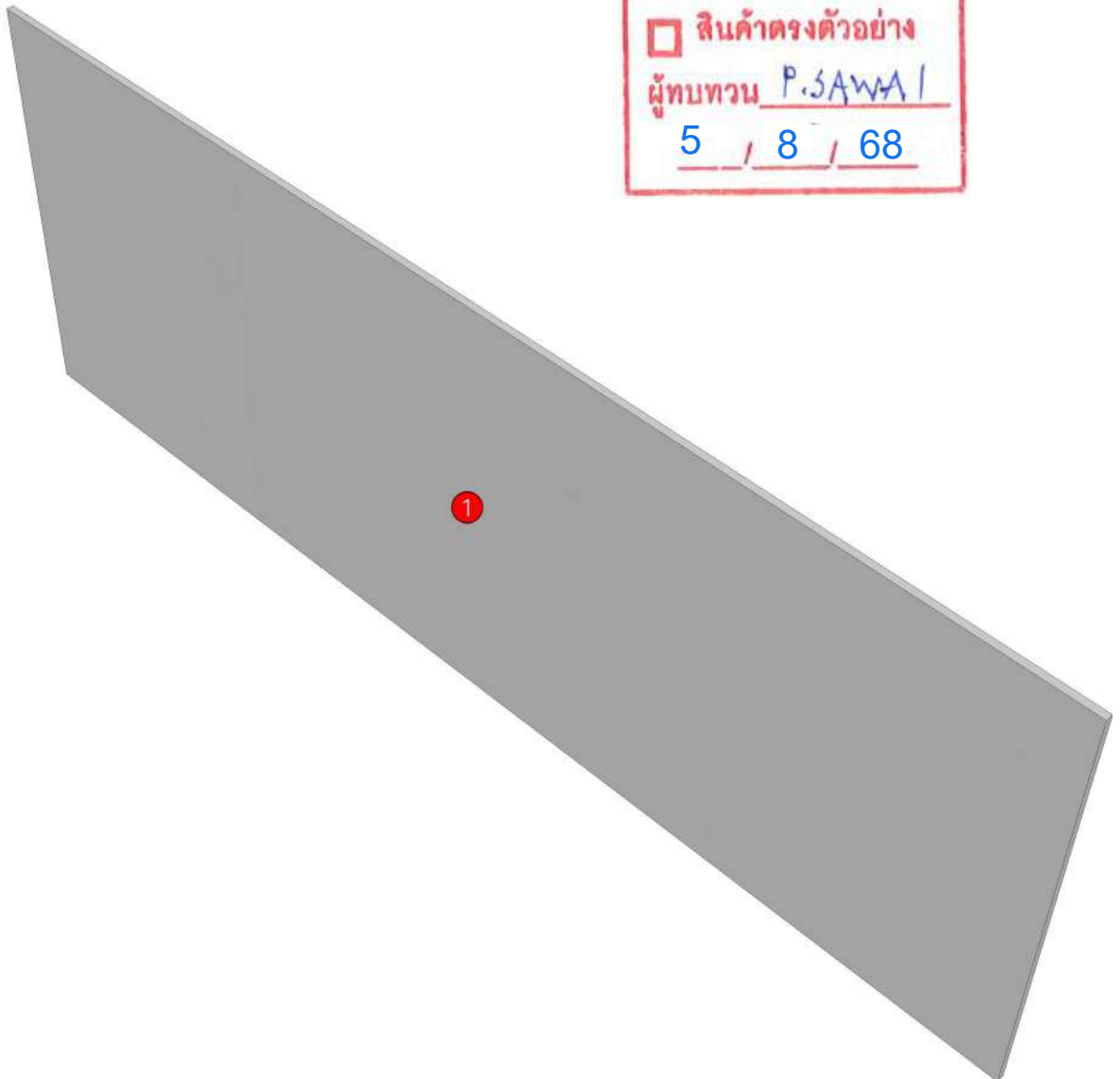
04.69=PB-E1 4'X8'T LAMINATE WILMIKA TEXT NO. W3125-16
04.691=ALVIC LUMAX-SPP/4'X10'X18MM.-BLANCO SUPPERMATT(LX8
03.13=PVC WHITE#630 T0.15MM.

Edge

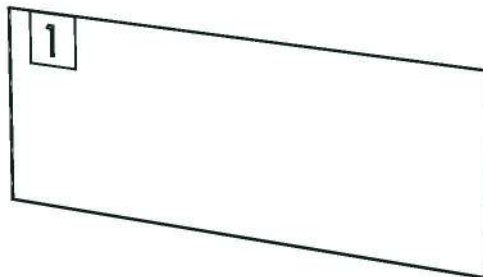
01.405=1 DWK3125AT
01.4051=1 WHITE 01016

K11L 160152691

R&D REVIEW	
<input checked="" type="checkbox"/>	DWG.Customer
<input type="checkbox"/>	Work Report
<input type="checkbox"/>	Function
<input type="checkbox"/>	สินค้าตรงตัวอย่าง
ผู้ทบทวน <u>P.SAWA</u>	
<u>5</u> / <u>8</u> / <u>68</u>	



Model	-ROMM_CONVECT_DDM_1000_6_1		
Creator	SUTTHI.P	.BCP Name	INDEX_C3D_KITCHENPAE
Reviewer		Order	0002565
Approves	P. SAWA	Date	12/06/2025



Model	ROMM_CONVECT_DDM_1000_9_1		
Creator	SUTTHI.P	.BCP Name	INDEX_C3D_KITCHENPAE
Reviewer		Order	0002667
Approves	P. SAWA I	Date	22/07/2025

ROMM_CONVECT_DDM_1000_9_1-1000X9X365

Colour

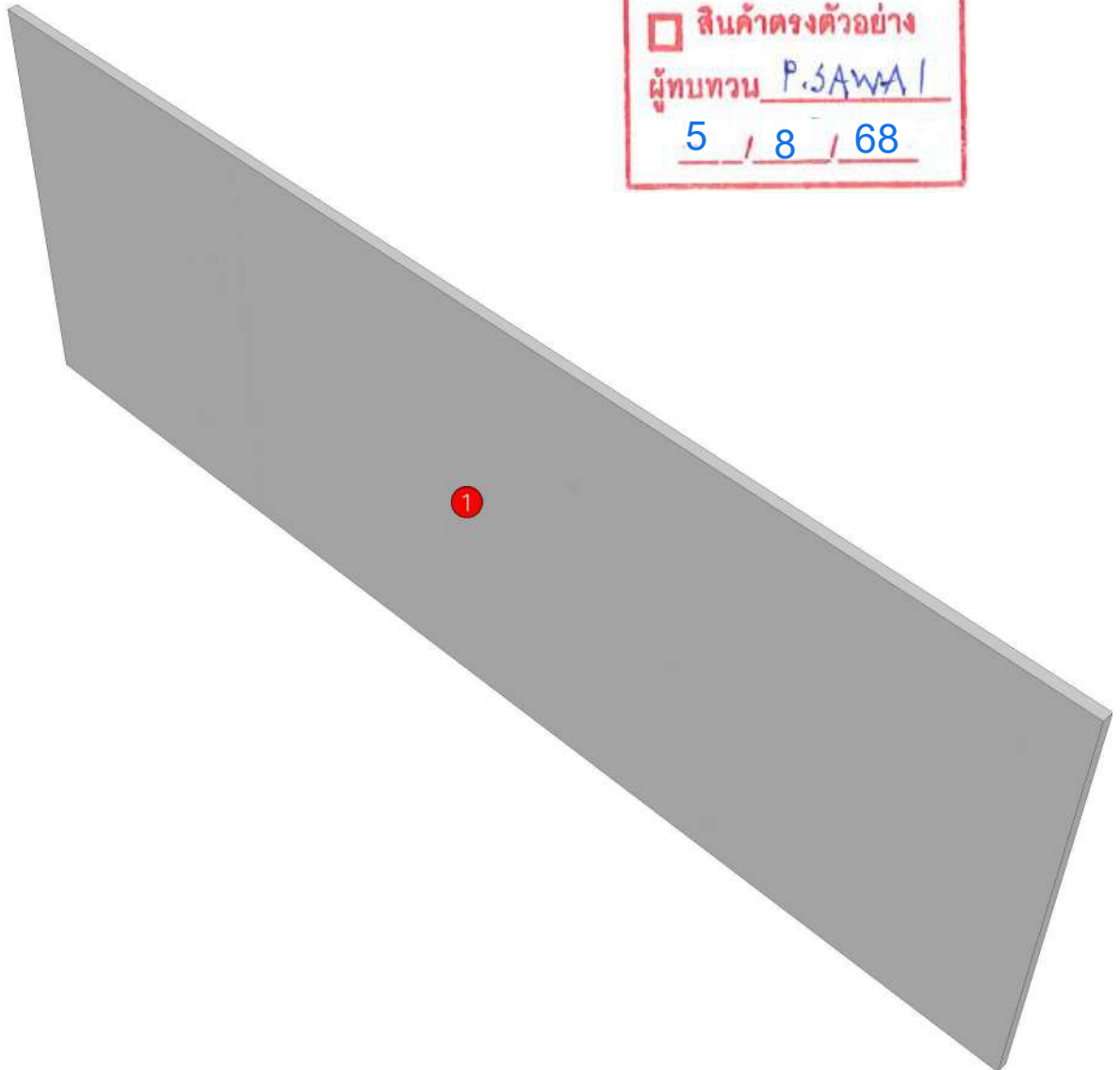
04.69=PB-E1 4'X8'T LAMINATE WILMIKA TEXT NO. W3125-16
04.691=ALVIC LUMAX-SPP/4'X10'X18MM.-BLANCO SUPPERMATT(LX8
05.01=ML WHITE VM1012 18/18

Edge

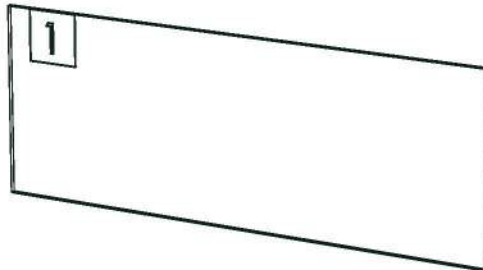
01.405=1 DWK3125AT
01.4051=1 WHITE 01016

K11L 160152691

R&D REVIEW	
<input checked="" type="checkbox"/>	DWG.Customer
<input type="checkbox"/>	Work Report
<input type="checkbox"/>	Function
<input type="checkbox"/>	สินค้าตรงตัวอย่าง
ผู้ทบทวน <u>P.SAWA I</u>	
<u>5</u> / <u>8</u> / <u>68</u>	



Model	-ROMM_CONVECT_DDM_1000_9_1		
Creator	SUTTHI.P	.BCP Name	INDEX_C3D_KITCHENPAE
Reviewer		Order	0002667
Approves	P. SAWA	Date	22/07/2025



Model	ROMM_CONVECT_DDM_1050_1		
Creator	SUTTHI.P	.BCP Name	INDEX_C3D_KITCHENPAE
Reviewer		Order	0002568
Approves	P. SAWA	Date	12/06/2025

ROMM_CONVECT_DDM_1050_1-1050X18X135

Colour

04.69=PB-E1 4'X8'T LAMINATE WILMIKA TEXT NO. W3125-16
04.691=ALVIC LUMAX-SPP/4'X10'X18MM.-BLANCO SUPPERMATT(LX8
04.692=PB-E1 4'X9'T. LAMINA WILMIKA TEXT NO. W3125-16
04.693=HPL WILMIKA NO. W3125-16/HPL.TD#9201 PL

Edge

01.405=1 DWK3125AT
01.4051=1 WHITE 01016

K4L 160166148

K14L 160152715

R&D REVIEW	
<input checked="" type="checkbox"/>	DWG.Customer
<input type="checkbox"/>	Work Report
<input type="checkbox"/>	Function
<input type="checkbox"/>	สินค้าตรงตัวอย่าง
ผู้ทบทวน <u>P.SAWA</u>	
<u>5</u> / <u>8</u> / <u>68</u>	



Model	-ROMM_CONVECT_DDM_1050_1		
Creator	SUTTHI.P	.BCP Name	INDEX_C3D_KITCHENPAE
Reviewer		Order	0002568
Approves	P. SAWA	Date	12/06/2025



Model	ROMM_CONVECT_DDM_1300_6_1		
Creator	SUTTHI.P	.BCP Name	INDEX_C3D_KITCHENPAE
Reviewer		Order	O002581
Approves	P.SAWA	Date	09/07/2025

ROMM_CONVECT_DDM_1300_6_1-1300X6X375

Colour

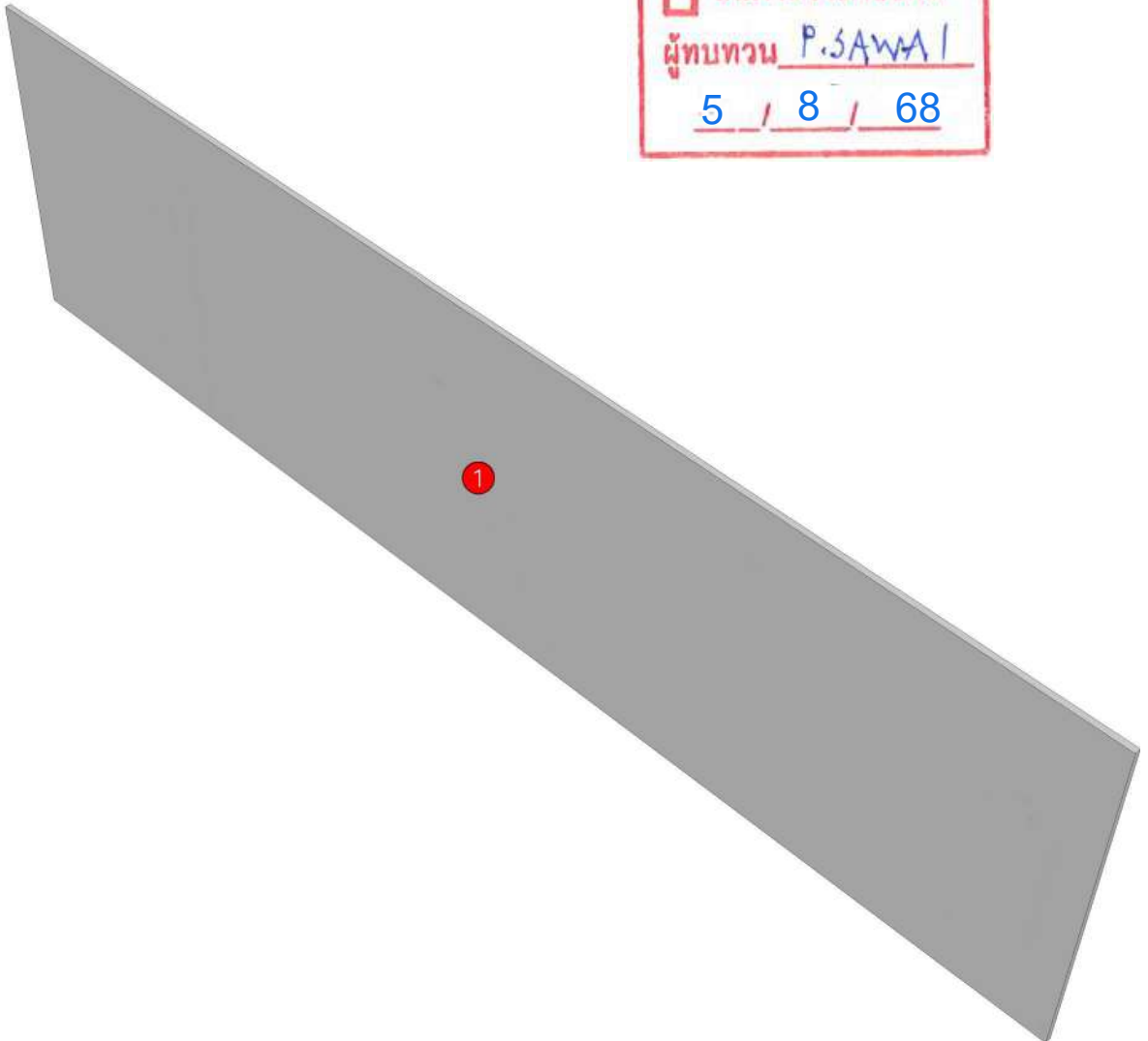
04.69=PB-E1 4'X8'T LAMINATE WILMIKA TEXT NO. W3125-16
04.691=ALVIC LUMAX-SPP/4'X10'X18MM.-BLANCO SUPPERMATT(LX8
03.13=PVC WHITE#630 T0.15MM.

Edge

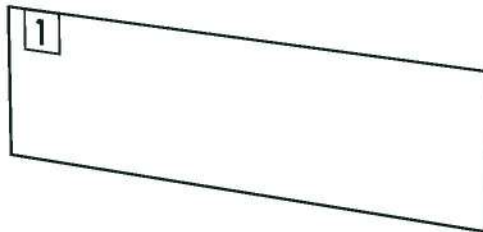
01.405=1 DWK3125AT
01.4051=1 WHITE 01016

K14L 160152715

R&D REVIEW	
<input checked="" type="checkbox"/>	DWG.Customer
<input type="checkbox"/>	Work Report
<input type="checkbox"/>	Function
<input type="checkbox"/>	สินค้าตรงตัวอย่าง
ผู้ทบทวน <u>P.SAWA</u>	
<u>5</u> / <u>8</u> / <u>68</u>	



Model	-ROMM_CONVECT_DDM_1300_6_1		
Creator	SUTTHI.P	.BCP Name	INDEX_C3D_KITCHENPAE
Reviewer		Order	0002581
Approves	P. SAWA	Date	09/07/2025



Model	ROMM_CONVECT_DDM_1300_9_1		
Creator	SUTTHI.P	.BCP Name	INDEX_C3D_KITCHENPAE
Reviewer		Order	0002582
Approves	<i>P.SAWA</i>	Date	09/07/2025

ROMM_CONVECT_DDM_1300_9_1-1300X9X365

Colour

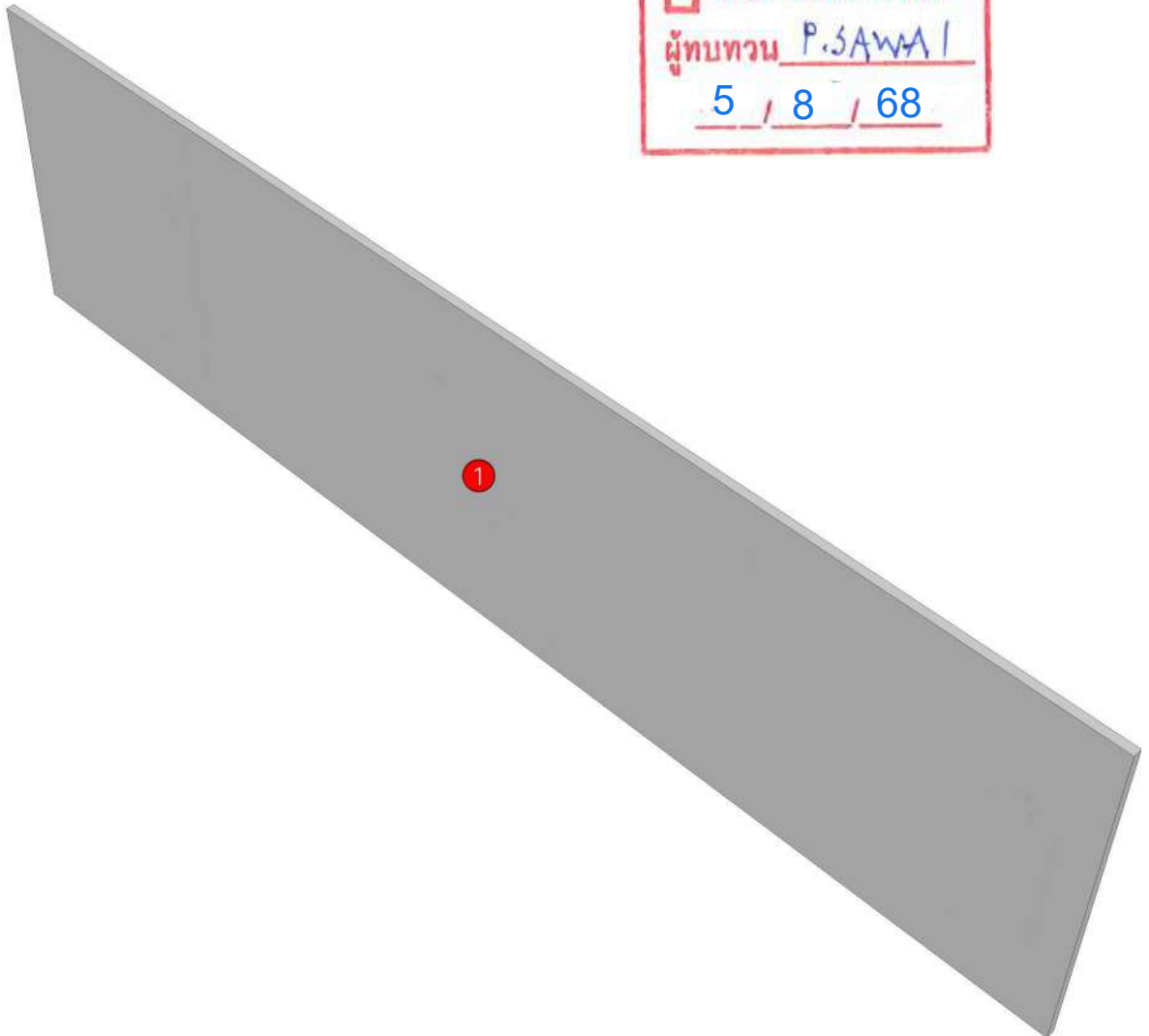
04.69=PB-E1 4'X8'T LAMINATE WILMIKA TEXT NO. W3125-16
04.691=ALVIC LUMAX-SPP/4'X10'X18MM.-BLANCO SUPPERMATT(LX8
05.01=ML WHITE VM1012 18/18

Edge

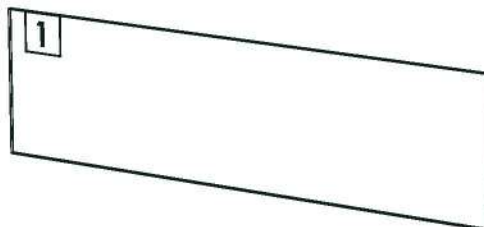
01.405=1 DWK3125AT
01.4051=1 WHITE 01016

K11L 160152691

R&D REVIEW	
<input checked="" type="checkbox"/>	DWG.Customer
<input type="checkbox"/>	Work Report
<input type="checkbox"/>	Function
<input type="checkbox"/>	สินค้าตรงตัวอย่าง
ผู้ทบทวน <u>P.SAWA</u>	
<u>5</u> / <u>8</u> / <u>68</u>	



Model	-ROMM_CONVECT_DDM_1300_9_1		
Creator	SUTTHI.P	.BCP Name	INDEX_C3D_KITCHENPAE
Reviewer		Order	0002582
Approves	P. SAWA	Date	09/07/2025



Model	ROMM_CONVECT_DDM_775_1		
Creator	SUTTHI.P	.BCP Name	INDEX_C3D_KITCHENPAE
Reviewer		Order	O002602
Approves	P. SAWA	Date	09/07/2025

ROMM_CONVECT_DDM_775_1-775X18X135

Colour

04.69=PB-E1 4'X8'T LAMINATE WILMIKA TEXT NO. W3125-16
04.691=ALVIC LUMAX-SPP/4'X10'X18MM.-BLANCO SUPPERMATT(LX8)

Edge

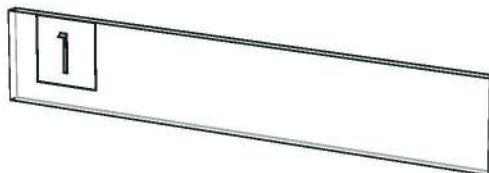
01.405=1 DWK3125AT
01.4051=1 WHITE 01016

K11L 160152691

R&D REVIEW	
<input checked="" type="checkbox"/>	DWG.Customer
<input type="checkbox"/>	Work Report
<input type="checkbox"/>	Function
<input type="checkbox"/>	สินค้าตรงตัวอย่าง
ผู้ทบทวน <u>P.SAWA</u>	
<u>5</u> / <u>8</u> / <u>68</u>	



Model	-ROMM_CONVECT_DDM_775_1		
Creator	SUTTHI.P	.BCP Name	INDEX_C3D_KITCHENPAE
Reviewer		Order	0002602
Approves	P. SAWA	Date	09/07/2025



Model	ROMM_CONVECT_DEP_1620_1		
Creator	SUTTHI.P	.BCP Name	INDEX_C3D_KITCHENPAE
Reviewer		Order	0002607
Approves	P. SAWA	Date	09/07/2025

ROMM_CONVECT_DEP_1620_1-1620X18X860

Colour

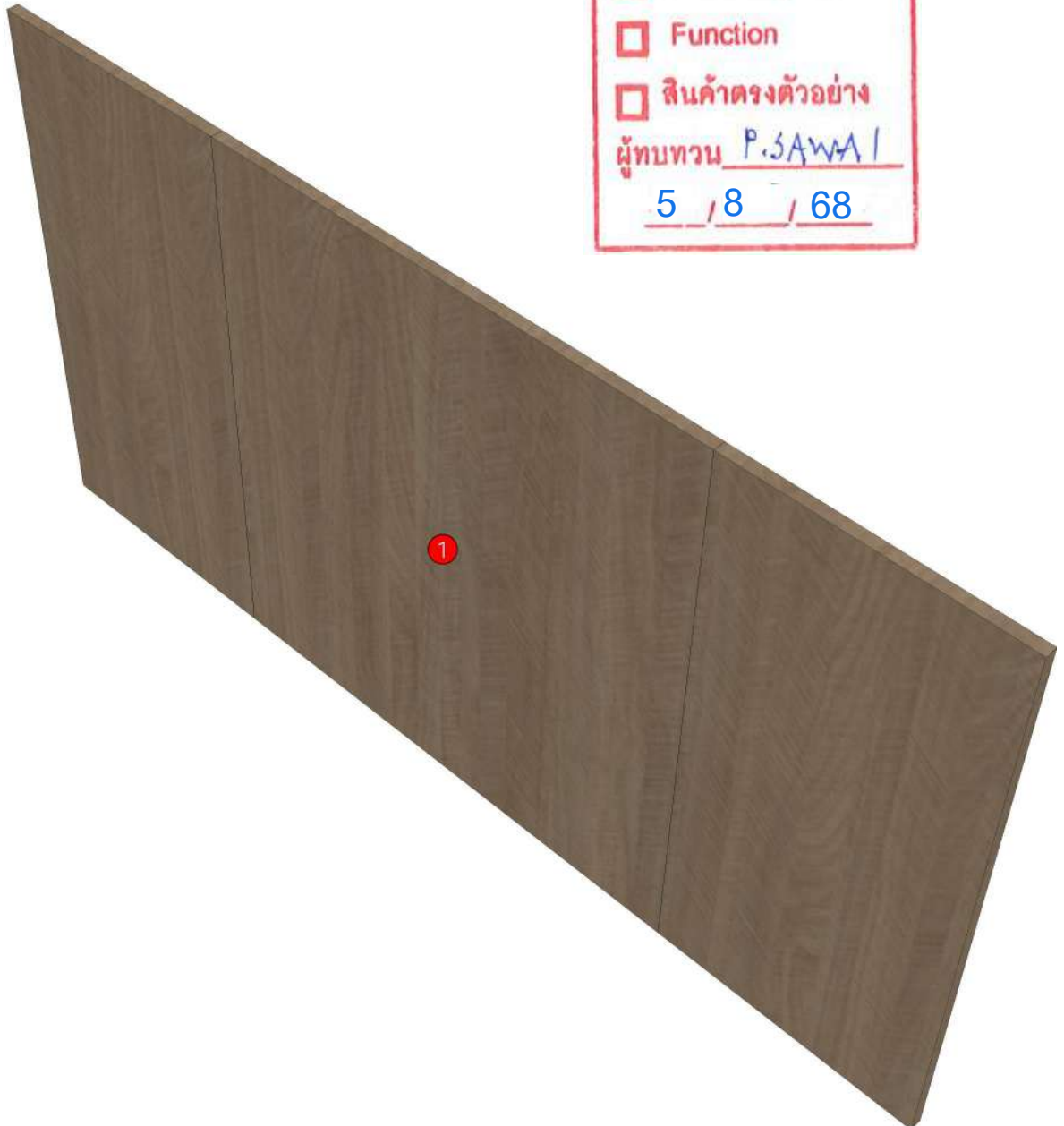
04.69=PB-E1 4'X8'T LAMINATE WILMIKA TEXT NO. W3125-16
04.691=ALVIC LUMAX-SPP/4'X10'X18MM.-BLANCO SUPPERMATT(LX8)

Edge

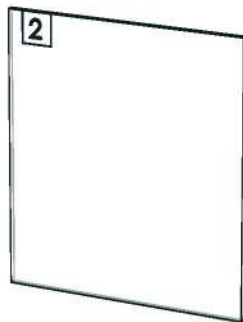
01.405=1 DWK3125AT
01.4051=1 WHITE 01016

K11L 160152691

R&D REVIEW	
<input checked="" type="checkbox"/>	DWG.Customer
<input type="checkbox"/>	Work Report
<input type="checkbox"/>	Function
<input type="checkbox"/>	สินค้าตรงตัวอย่าง
ผู้ทบทวน <u>P.SAWA</u>	
<u>5</u> / <u>8</u> / <u>68</u>	



Model	-ROMM_CONVECT_DEP_1620_1		
Creator	SUTTHI.P	.BCP Name	INDEX_C3D_KITCHENPAE
Reviewer		Order	0002607
Approves	<i>P. SAWA</i>	Date	09/07/2025



Model	ROMM_CONVECT_DEP_650I_1		
Creator	SUTTHI.P	.BCP Name	INDEX_C3D_KITCHENPAE
Reviewer		Order	O002611
Approves	<i>P.SAWA</i>	Date	09/07/2025

ROMM_CONVECT_DEP_650I_1-650X12X860

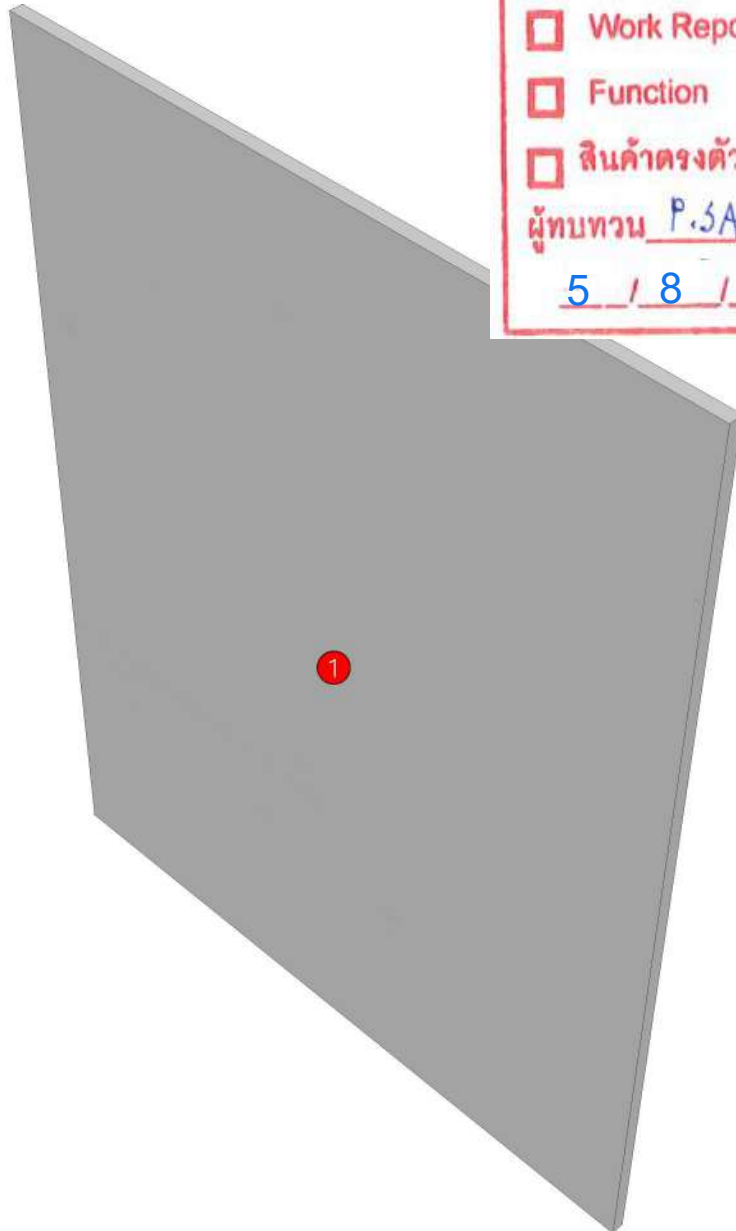
Colour

04.69=PB-E1 4'X8'T LAMINATE WILMIKA TEXT NO. W3125-16
04.691=ALVIC LUMAX-SPP/4'X10'X18MM.-BLANCO SUPPERMATT(LX8
05.01=ML WHITE VM1012 18/18

Edge

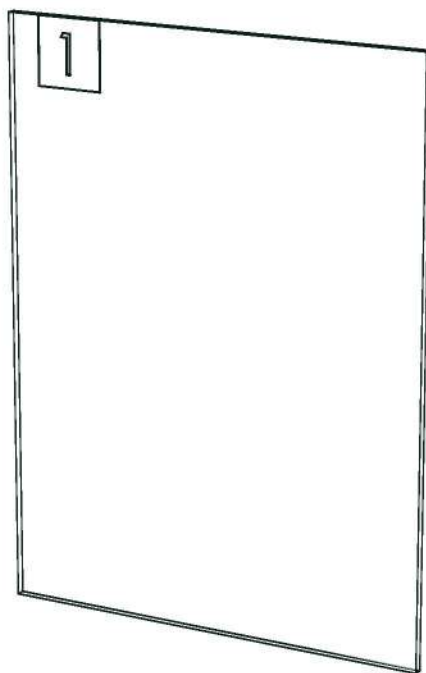
01.405=1 DWK3125AT
01.4051=1 WHITE 01016
01.47=1 WHITE

K11L 160152691



R&D REVIEW	
<input checked="" type="checkbox"/>	DWG.Customer
<input type="checkbox"/>	Work Report
<input type="checkbox"/>	Function
<input type="checkbox"/>	สินค้าตรงตัวอย่าง
ผู้ทบทวน <u>P.SAWA</u>	
<u>5</u> / <u>8</u> / <u>68</u>	

Model	-ROMM_CONVECT_DEP_650I_1		
Creator	SUTTHI.P	.BCP Name	INDEX_C3D_KITCHENPAE
Reviewer		Order	0002611
Approves	P. SAWA	Date	09/07/2025



Model	ROMM_CONVECT_DFB_1		
Creator	SUTTHI.P	.BCP Name	INDEX_C3D_KITCHENPAE
Reviewer		Order	O002614
Approves	<i>P.SAWA</i>	Date	09/07/2025

ROMM_CONVECT_DFB_1-150X18X730

Colour

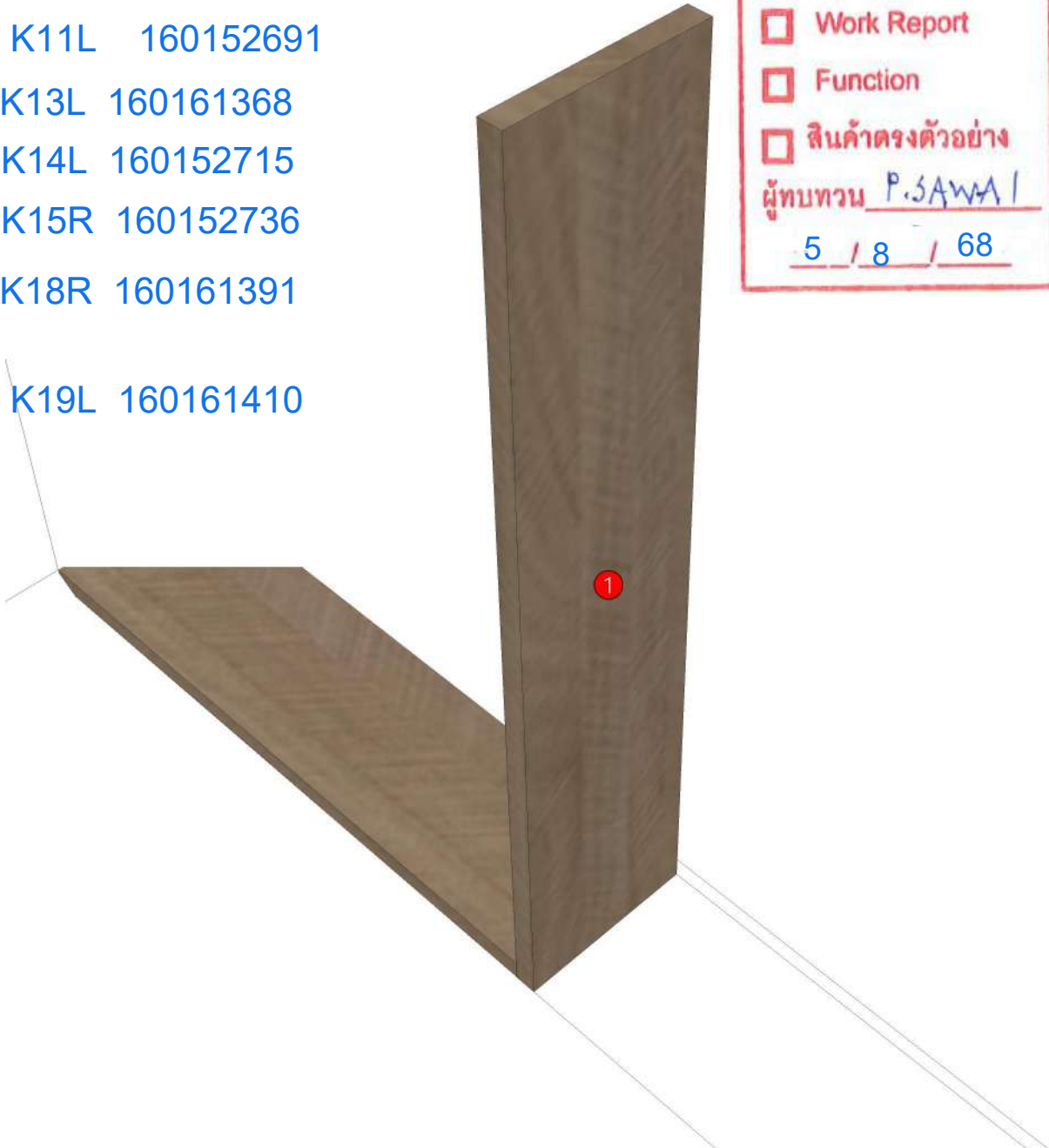
04.69=PB-E1 4'X8'T LAMINATE WILMIKA TEXT NO. W3125-16
04.691=ALVIC LUMAX-SPP/4'X10'X18MM.-BLANCO SUPPERMATT(LX8
05.01=ML WHITE VM1012 18/18

Edge

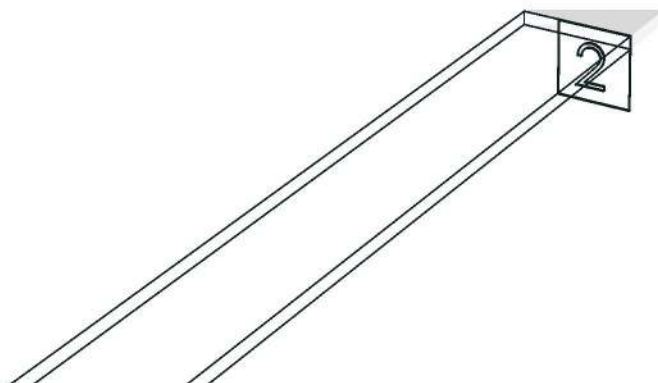
01.405=1 DWK3125AT
01.4051=1 WHITE 01016
01.47=1 WHITE

- K2R 160160436
- K3R 160161323
- K11L 160152691
- K13L 160161368
- K14L 160152715
- K15R 160152736
- K18R 160161391
- K19L 160161410

R&D REVIEW	
<input checked="" type="checkbox"/>	DWG.Customer
<input type="checkbox"/>	Work Report
<input type="checkbox"/>	Function
<input type="checkbox"/>	สินค้าตรงตัวอย่าง
ผู้ทบทวน <i>P.SAWA</i>	
<u>5</u> / <u>8</u> / <u>68</u>	



Model	-ROMM_CONVECT_DFB_1		
Creator	SUTTHI.P	.BCP Name	INDEX_C3D_KITCHENPAE
Reviewer		Order	0002614
Approves	<i>P. SAWA</i>	Date	09/07/2025



Model	ROMM_CONVECT_DFCL_1050_1		
Creator	SUTTHI.P	.BCP Name	INDEX_C3D_KITCHENPAE
Reviewer		Order	O002615
Approves	P.SAWA	Date	09/07/2025

ROMM_CONVECT_DFCL_1050_1-1050X9X100

Colour

04.69=PB-E1 4'X8'T LAMINATE WILMIKA TEXT NO. W3125-16
04.691=ALVIC LUMAX-SPP/4'X10'X18MM.-BLANCO SUPPERMATT(LX8)

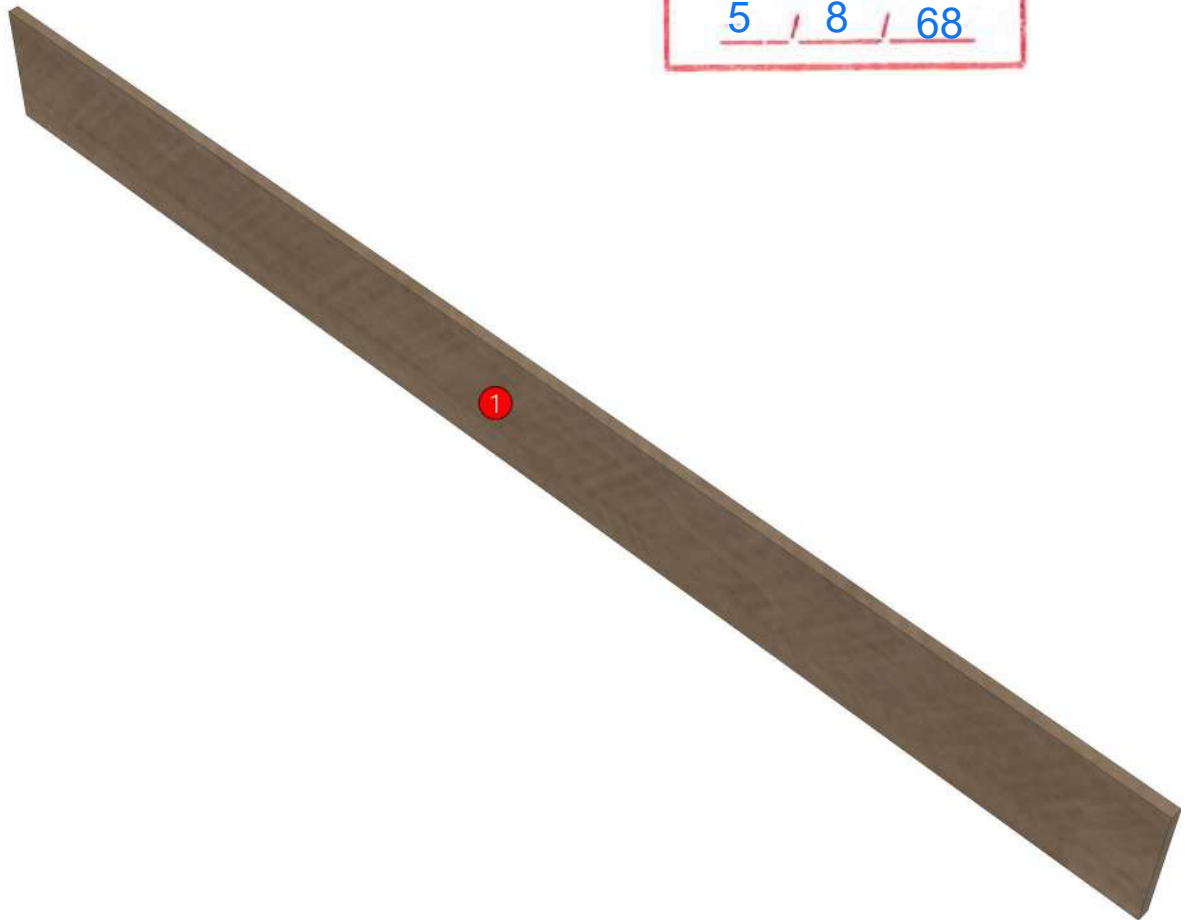
Edge

01.405=1 DWK3125AT
01.4051=1 WHITE 01016

K11L 160152691

K19L 160161410

R&D REVIEW	
<input checked="" type="checkbox"/>	DWG.Customer
<input type="checkbox"/>	Work Report
<input type="checkbox"/>	Function
<input type="checkbox"/>	สินค้าตรงตัวอย่าง
ผู้ทบทวน <u>P.SAWA</u>	
<u>5</u> / <u>8</u> / <u>68</u>	



Model	-ROMM_CONVECT_DFCL_1050_1		
Creator	SUTTHI.P	.BCP Name	INDEX_C3D_KITCHENPAE
Reviewer		Order	0002615
Approves	P. SAWA	Date	09/07/2025



Model	ROMM_CONVECT_DFCL_2000_1		
Creator	SUTTHI.P	.BCP Name	INDEX_C3D_KITCHENPAE
Reviewer		Order	O002621
Approves	P. SAWA	Date	09/07/2025

ROMM_CONVECT_DFCL_2000_1-2000X9X100

Colour

04.69=PB-E1 4'X8'T LAMINATE WILMIKA TEXT NO. W3125-16
04.691=ALVIC LUMAX-SPP/4'X10'X18MM.-BLANCO SUPPERMATT(LX8)

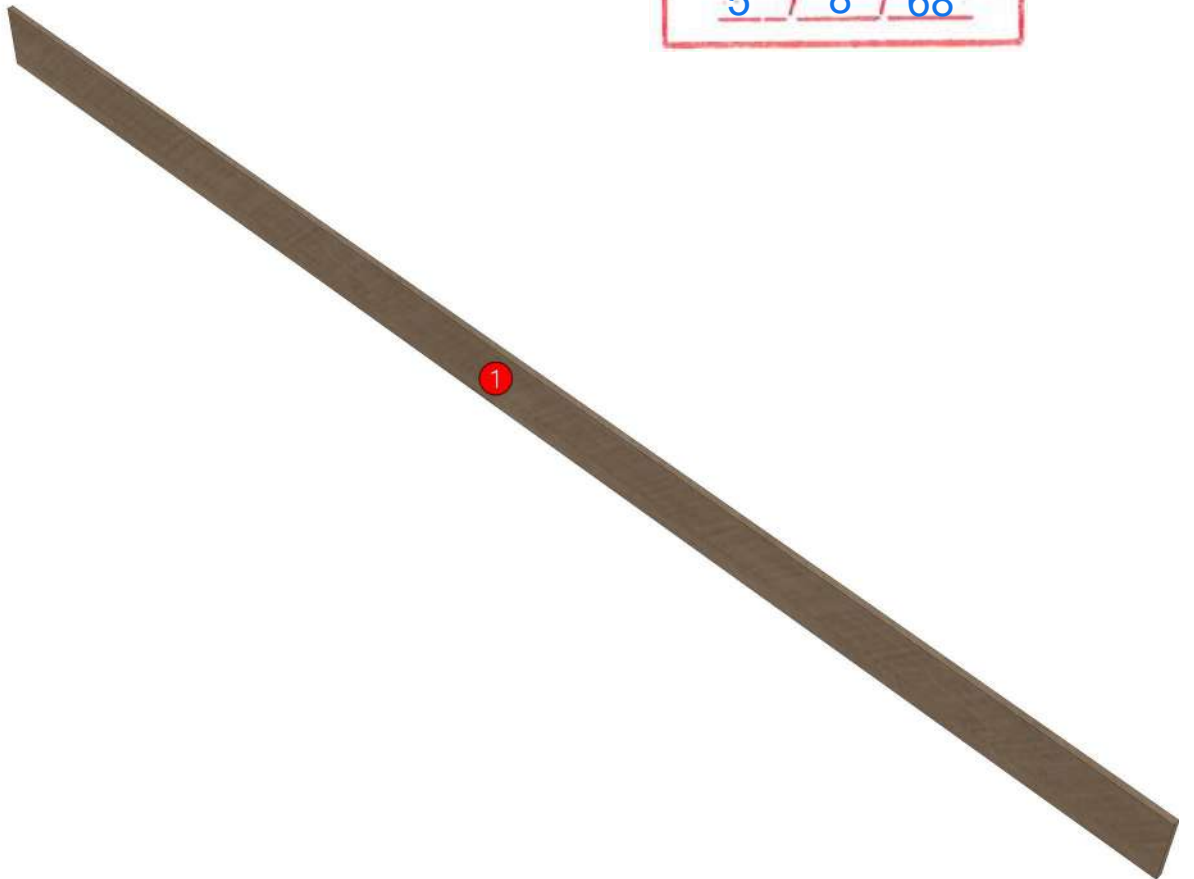
Edge

01.405=1 DWK3125AT
01.4051=1 WHITE 01016

K2R 160160436

K11L 160152691

R&D REVIEW	
<input checked="" type="checkbox"/>	DWG.Customer
<input type="checkbox"/>	Work Report
<input type="checkbox"/>	Function
<input type="checkbox"/>	สินค้าตรงตัวอย่าง
ผู้ทบทวน <u>P.SAWA</u>	
<u>5 / 8 / 68</u>	



Model	-ROMM_CONVECT_DFCL_2000_1		
Creator	SUTTHI.P	.BCP Name	INDEX_C3D_KITCHENPAE
Reviewer		Order	0002621
Approves	P. SAWA	Date	09/07/2025



Model	ROMM_CONVECT_DFCL_700_1		
Creator	SUTTHI.P	.BCP Name	INDEX_C3D_KITCHENPAE
Reviewer		Order	0002625
Approves	P. SAWA	Date	09/07/2025

ROMM_CONVECT_DFCL_700_1-700X9X100

Colour

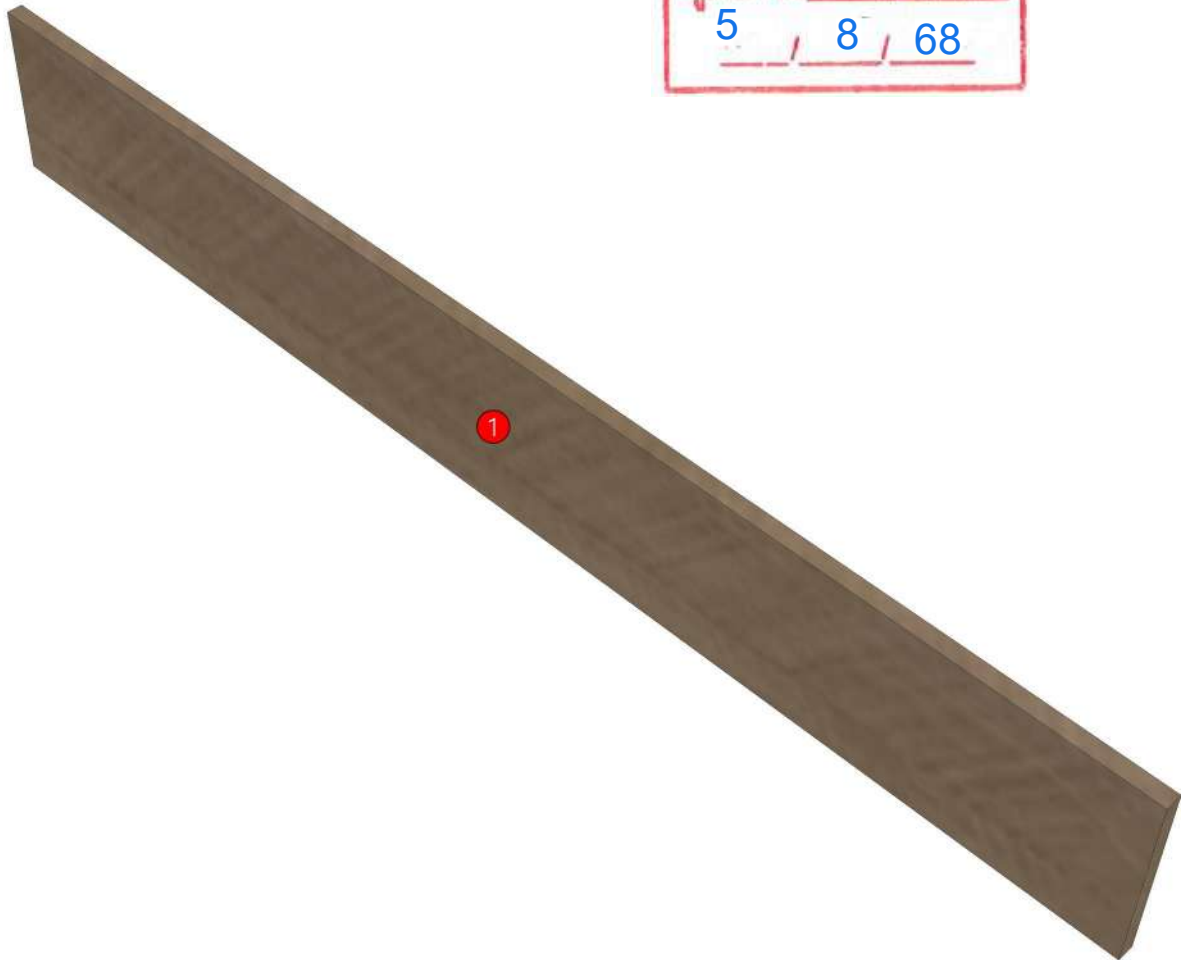
04.69=PB-E1 4'X8'T LAMINATE WILMIKA TEXT NO. W3125-16
04.691=ALVIC LUMAX-SPP/4'X10'X18MM.-BLANCO SUPPERMATT(LX8)

Edge

01.405=1 DWK3125AT
01.4051=1 WHITE 01016

K2R 160160436
K5R 160152669
K11L 160152691

R&D REVIEW	
<input checked="" type="checkbox"/>	DWG.Customer
<input type="checkbox"/>	Work Report
<input type="checkbox"/>	Function
<input type="checkbox"/>	สินค้าตรงตัวอย่าง
ผู้ทบทวน P.SAWA /	
5	8 / 68



Model	-ROMM_CONVECT_DFCL_700_1		
Creator	SUTTHI.P	.BCP Name	INDEX_C3D_KITCHENPAE
Reviewer		Order	0002625
Approves	<i>P. SAWA</i>	Date	09/07/2025



Model	ROMM_CONVECT_DFL_1		
Creator	SUTTHI.P	.BCP Name	INDEX_C3D_KITCHENPAE
Reviewer		Order	O002629
Approves	<i>P.SAWA</i>	Date	09/07/2025

ROMM_CONVECT_DFL_1-150X18X800

Colour

04.69=PB-E1 4'X8'T LAMINATE WILMIKA TEXT NO. W3125-16
04.691=ALVIC LUMAX-SPP/4'X10'X18MM.-BLANCO SUPPERMATT(LX8
05.01=ML WHITE VM1012 18/18

Edge

01.405=1 DWK3125AT
01.4051=1 WHITE 01016
01.47=1 WHITE

K1R 160160423

K2R 160160436

K3R 160161323

K4L 160166148

K6L 160160455

K10R 160161347

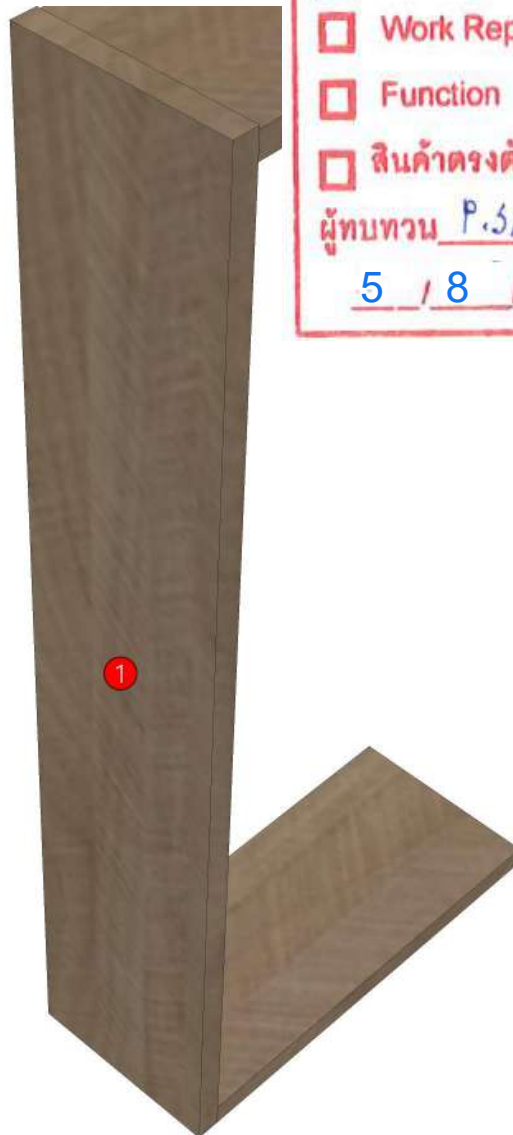
K11L 160152691

K13L 160161368

K15R 160152736

K18R 160161391

K19L 160161410



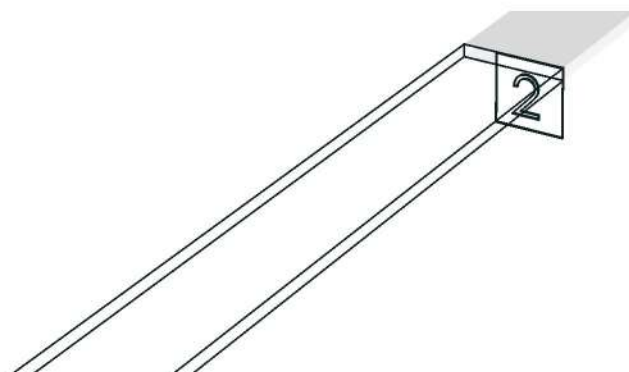
R&D REVIEW

- DWG.Customer
- Work Report
- Function
- สินค้าตรงตัวอย่าง

ผู้ทบทวน P.SAWA

5 / 8 / 68

Model	-ROMM_CONVECT_DFL_1		
Creator	SUTTHI.P	.BCP Name	INDEX_C3D_KITCHENPAE
Reviewer		Order	0002629
Approves	P. SAWA	Date	09/07/2025



Model	ROMM_CONVECT_DL545L_1		
Creator	SUTTHI.P	.BCP Name	INDEX_C3D_KITCHENPAE
Reviewer		Order	O002509
Approves	<i>P. SAWA</i>	Date	09/06/2025

ROMM_CONVECT_DL545L_1-545X350X680

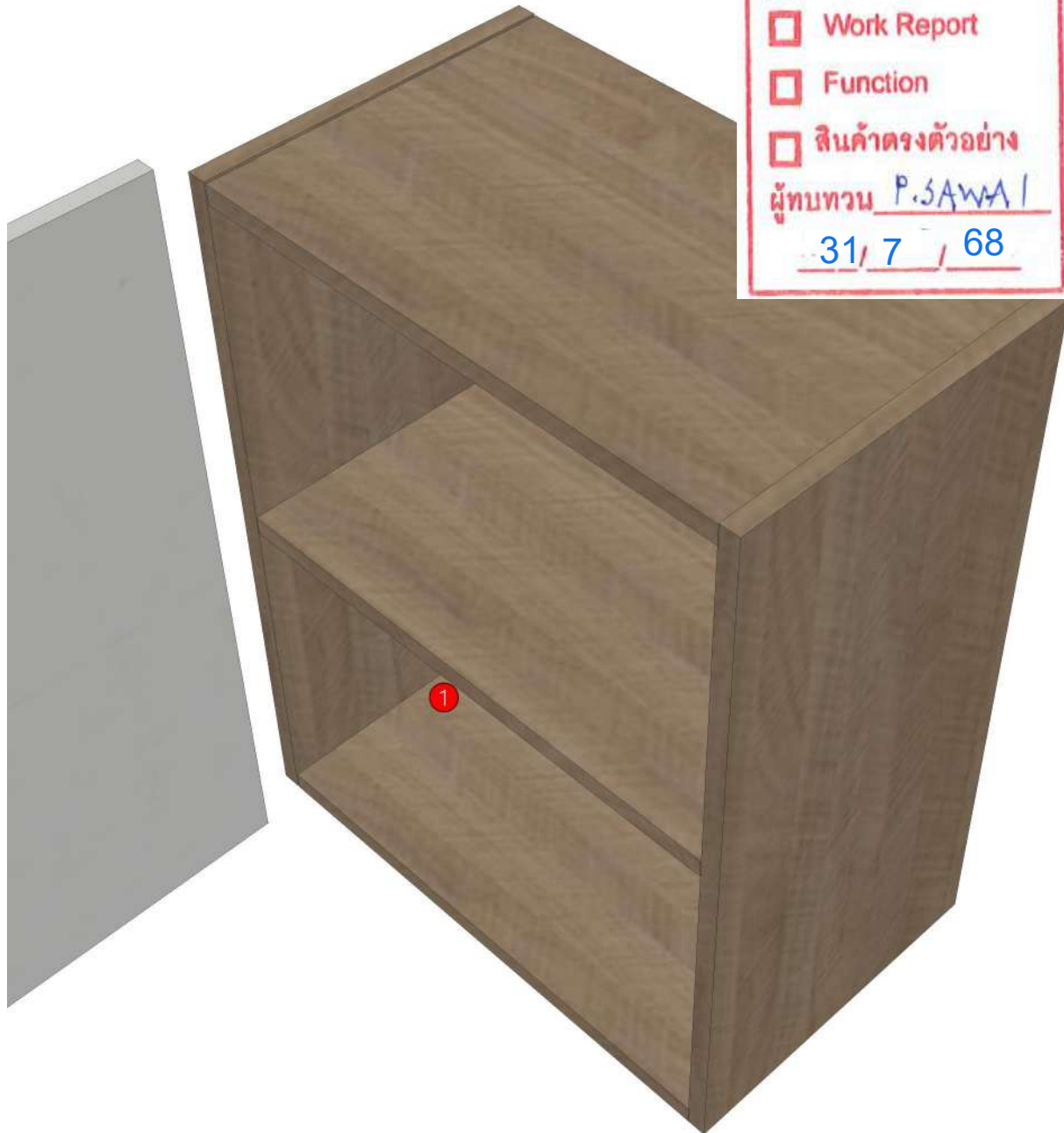
Colour

04.69=PB-E1 4'X8'T LAMINATE WILMIKA TEXT NO. W3125-16
04.691=ALVIC LUMAX-SPP/4'X10'X18MM.-BLANCO SUPPERMATT(LX8)
04.692=PB-E1 4'X9'T. LAMINA WILMIKA TEXT NO. W3125-16
04.693=HPL WILMIKA NO. W3125-16/HPL.TD#9201 PL

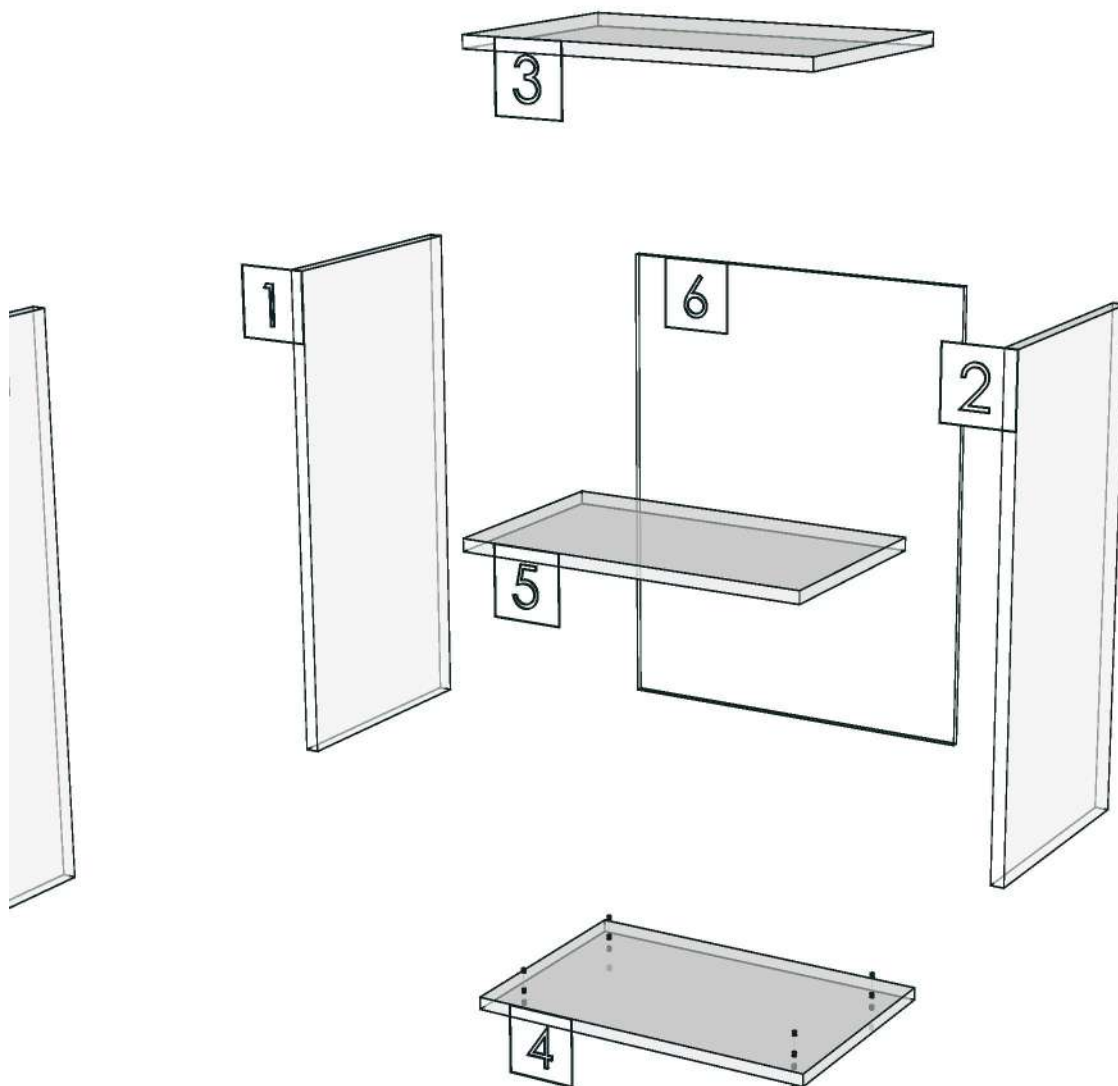
Edge

01.405=1 DWK3125AT
01.4051=1 WHITE 01016

K11L 160152691



Model	-ROMM_CONVECT_DL545L_1		
Creator	SUTTHI.P	.BCP Name	INDEX_C3D_KITCHENPAE
Reviewer		Order	O002509
Approves	<i>P. SAWA</i>	Date	09/06/2025



Model	ROMM_CONVECT_DL605R_1		
Creator	SUTTHI.P	.BCP Name	INDEX_C3D_KITCHENPAE
Reviewer		Order	O002517
Approves	<i>P.SAWA</i>	Date	09/06/2025

ROMM_CONVECT_DL605R_1-605X330X680

Colour

04.69=PB-E1 4'X8'T LAMINATE WILMIKA TEXT NO. W3125-16
 04.691=ALVIC LUMAX-SPP/4'X10'X18MM.-BLANCO SUPPERMATT(LX8)
 04.692=PB-E1 4'X9'T. LAMINA WILMIKA TEXT NO. W3125-16
 04.693=HPL WILMIKA NO. W3125-16/HPL.TD#9201 PL

Edge

01.405=1 DWK3125AT
 01.4051=1 WHITE 01016

K1R 160160423

K11L 160152691

K2R 160160436

K18R 160161391

K3R 160161323

K19L 160161410

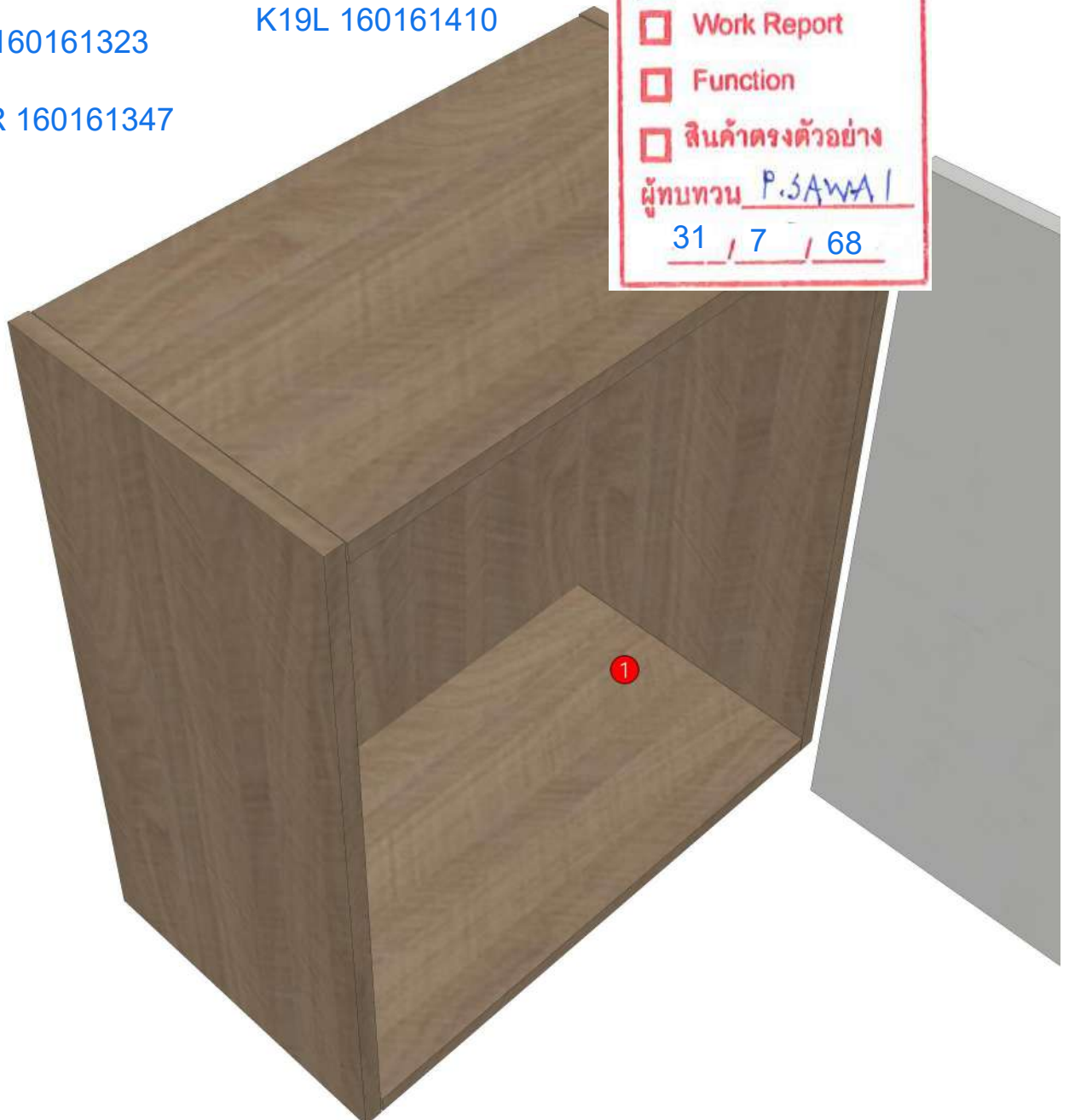
K10R 160161347

R&D REVIEW

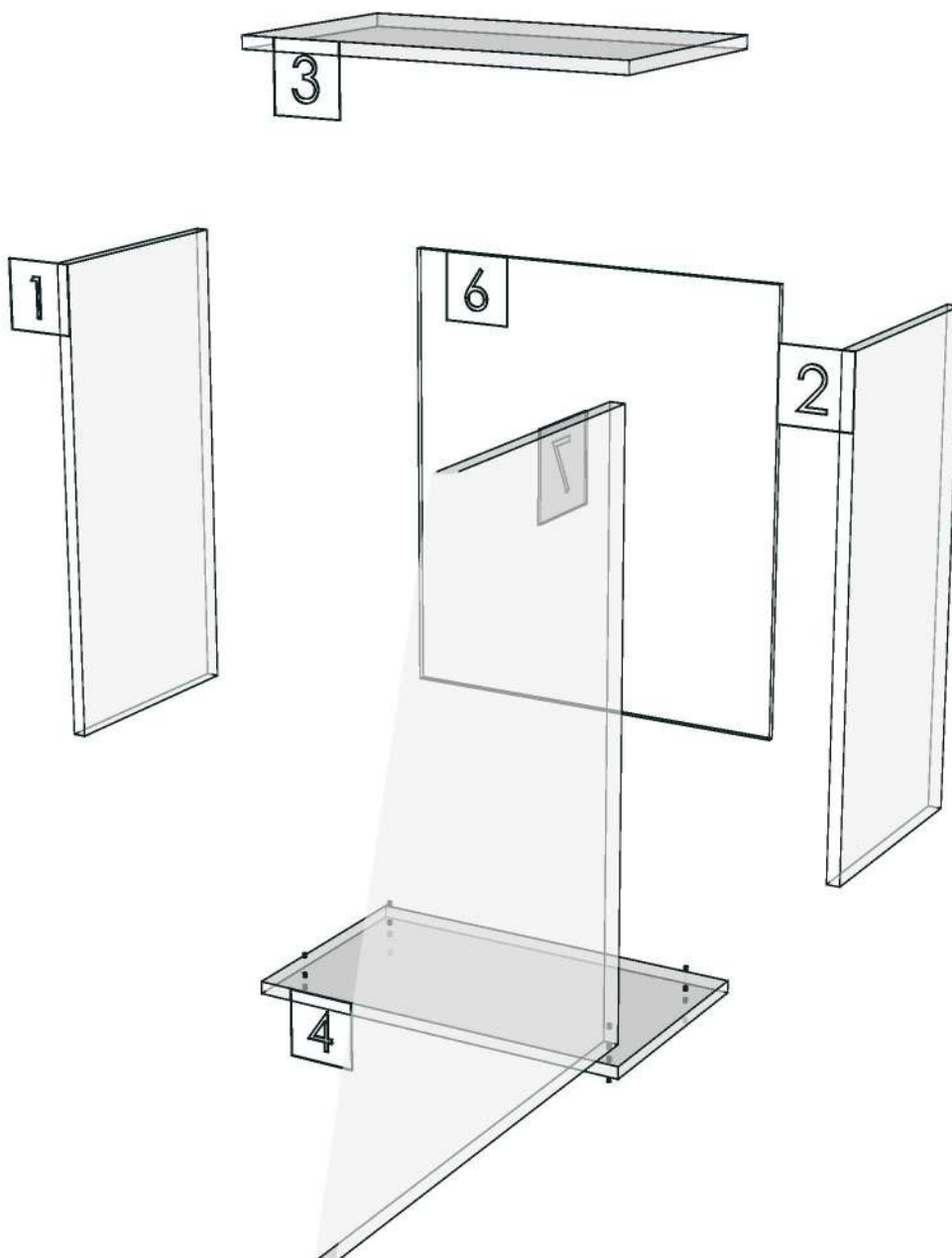
- DWG.Customer
- Work Report
- Function
- สินค้าตรงตัวอย่าง

ผู้ทบทวน *P.SAWA*

31 / 7 / 68



Model	-ROMM_CONVECT_DL605R_1		
Creator	SUTTHI.P	.BCP Name	INDEX_C3D_KITCHENPAE
Reviewer		Order	0002517
Approves	<i>P. SAWA</i>	Date	09/06/2025



Model	ROMM_CONVECT_DL60HR_SR_1		
Creator	SUTTHI.P	.BCP Name	INDEX_C3D_KITCHENPAE
Reviewer		Order	O002513
Approves	<i>P.SAWA</i>	Date	09/06/2025

ROMM_CONVECT_DL60HR_SR_1-600X330X1025

Colour

04.69=PB-E1 4'X8'T LAMINATE WILMIKA TEXT NO. W3125-16
04.691=ALVIC LUMAX-SPP/4'X10'X18MM.-BLANCO SUPPERMATT(LX8)
04.692=PB-E1 4'X9'T. LAMINA WILMIKA TEXT NO. W3125-16
04.693=HPL WILMIKA NO. W3125-16/HPL.TD#9201 PL

Edge

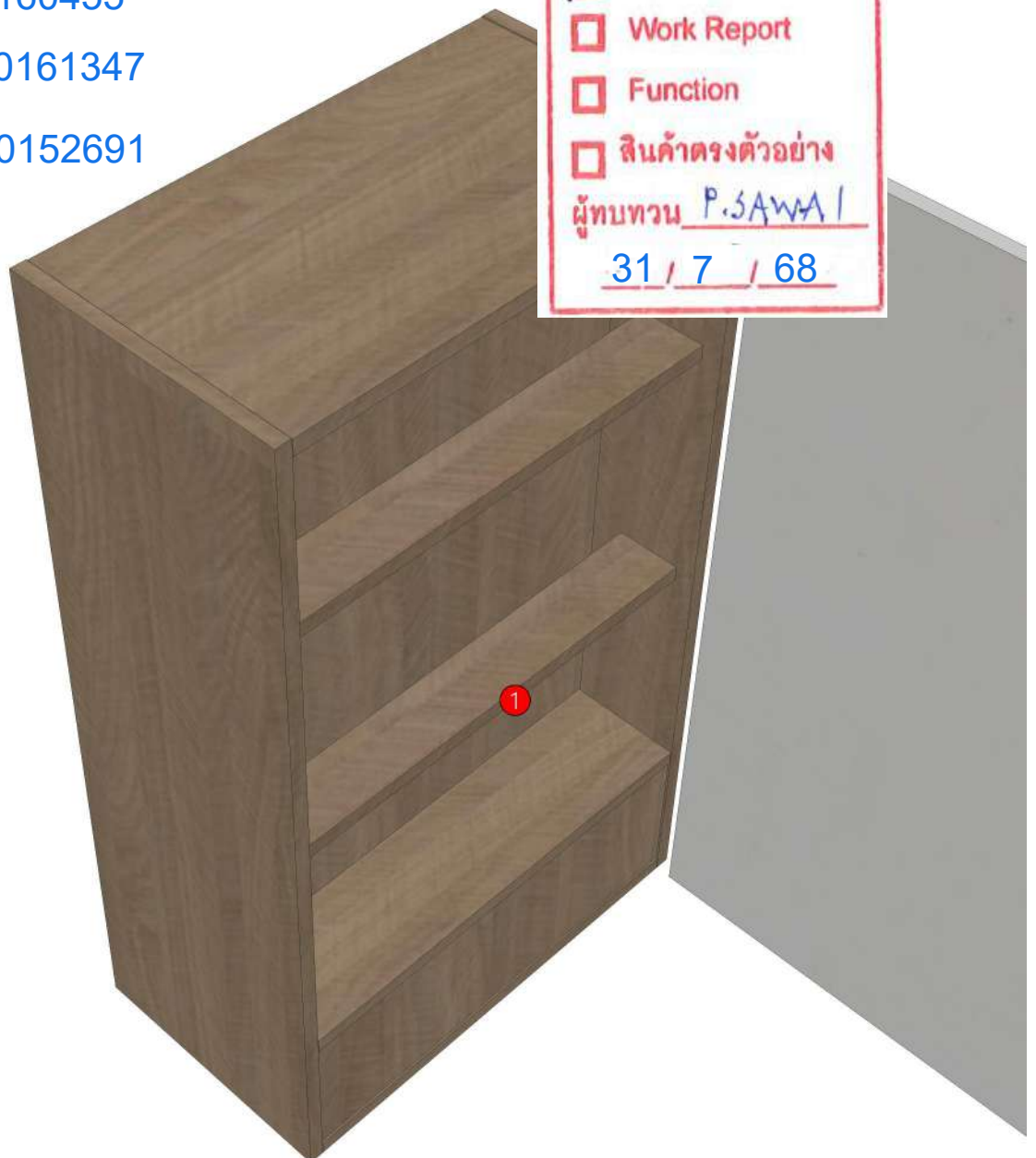
01.405=1 DWK3125AT
01.4051=1 WHITE 01016

K4L 160166148

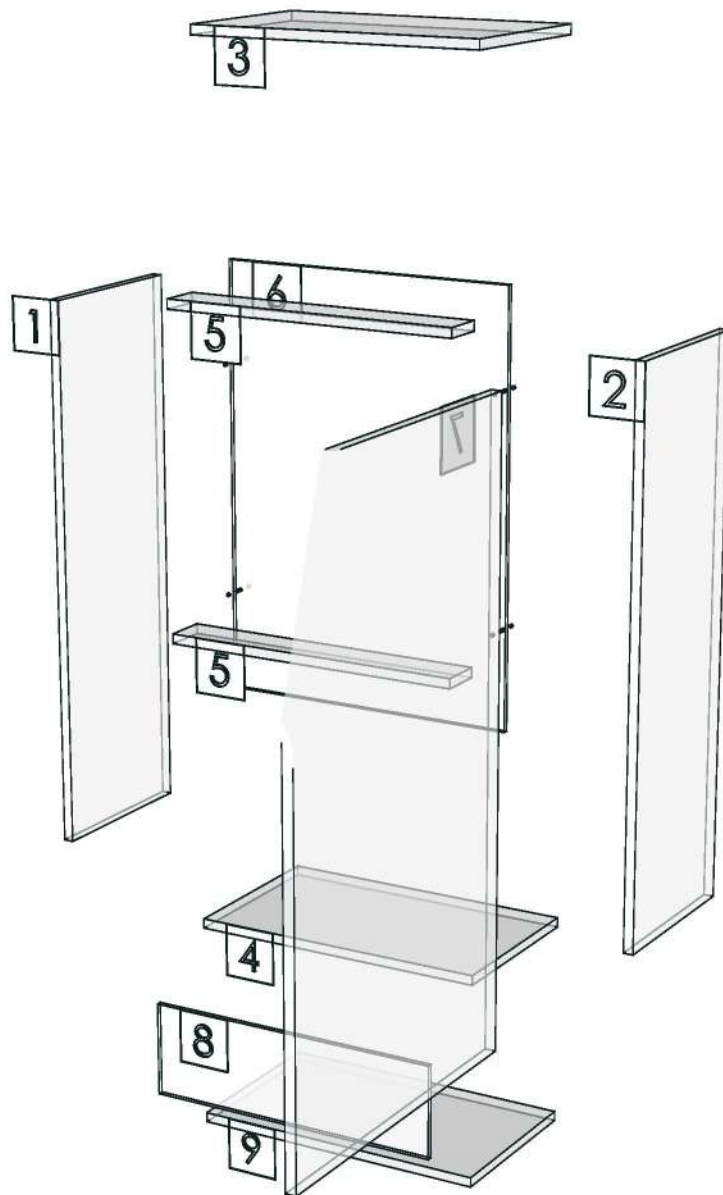
K6L 160160455

K10R 160161347

K11L 160152691



Model	-ROMM_CONVECT_DL60HR_SR_1		
Creator	SUTTHI.P	.BCP Name	INDEX_C3D_KITCHENPAE
Reviewer		Order	0002513
Approves	<i>P. SAWA</i>	Date	09/06/2025



Model	ROMM_CONVECT_DL70L_1		
Creator	SUTTHI.P	.BCP Name	INDEX_C3D_KITCHENPAE
Reviewer		Order	O002521
Approves	<i>P. SAWA</i>	Date	09/06/2025

ROMM_CONVECT_DL70L_1-700X330X700

Colour

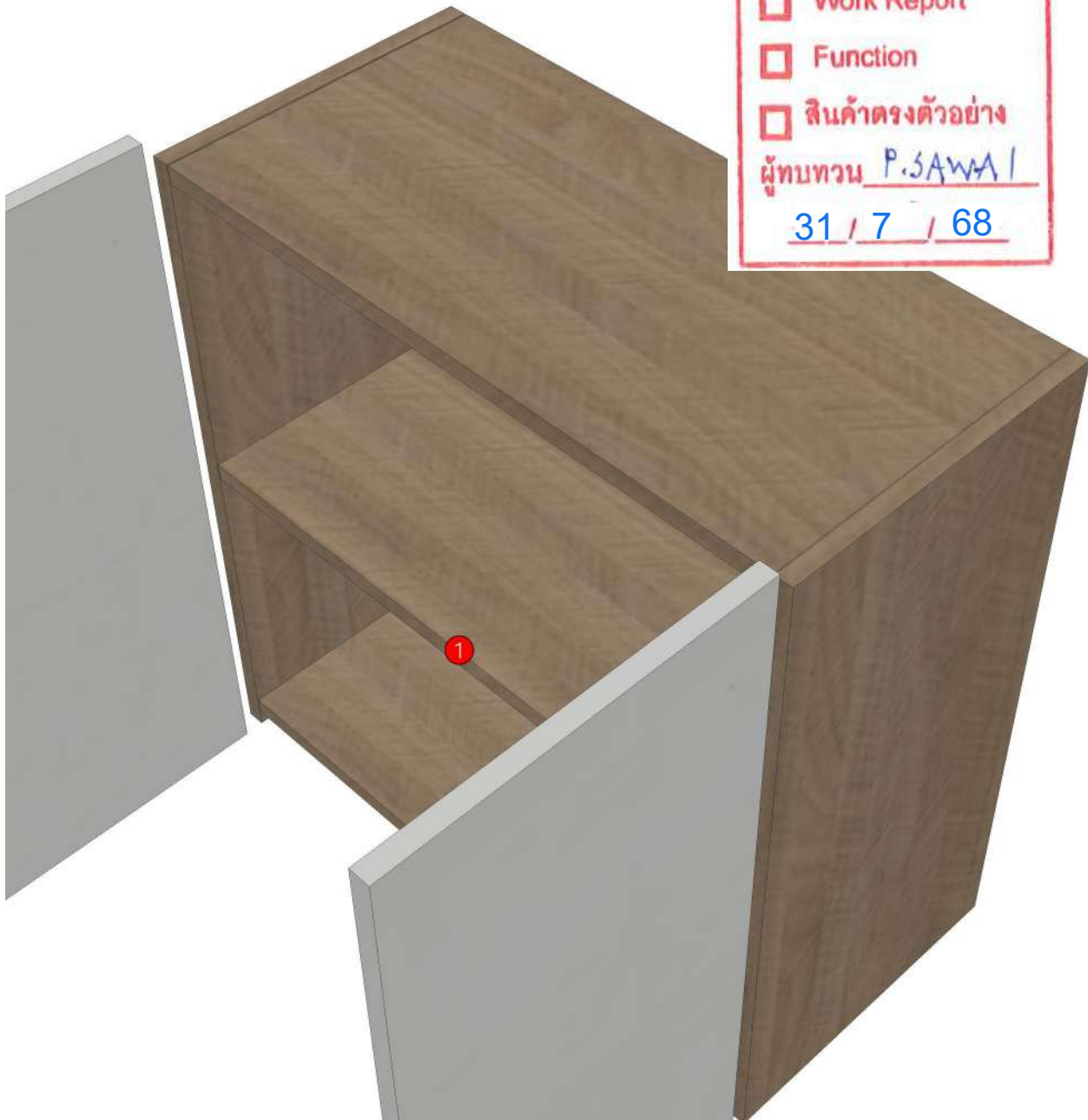
04.69=PB-E1 4'X8'T LAMINATE WILMIKA TEXT NO. W3125-16
04.691=ALVIC LUMAX-SPP/4'X10'X18MM.-BLANCO SUPPERMATT(LX8
04.692=PB-E1 4'X9'T. LAMINA WILMIKA TEXT NO. W3125-16
04.693=HPL WILMIKA NO. W3125-16/HPL.TD#9201 PL

Edge

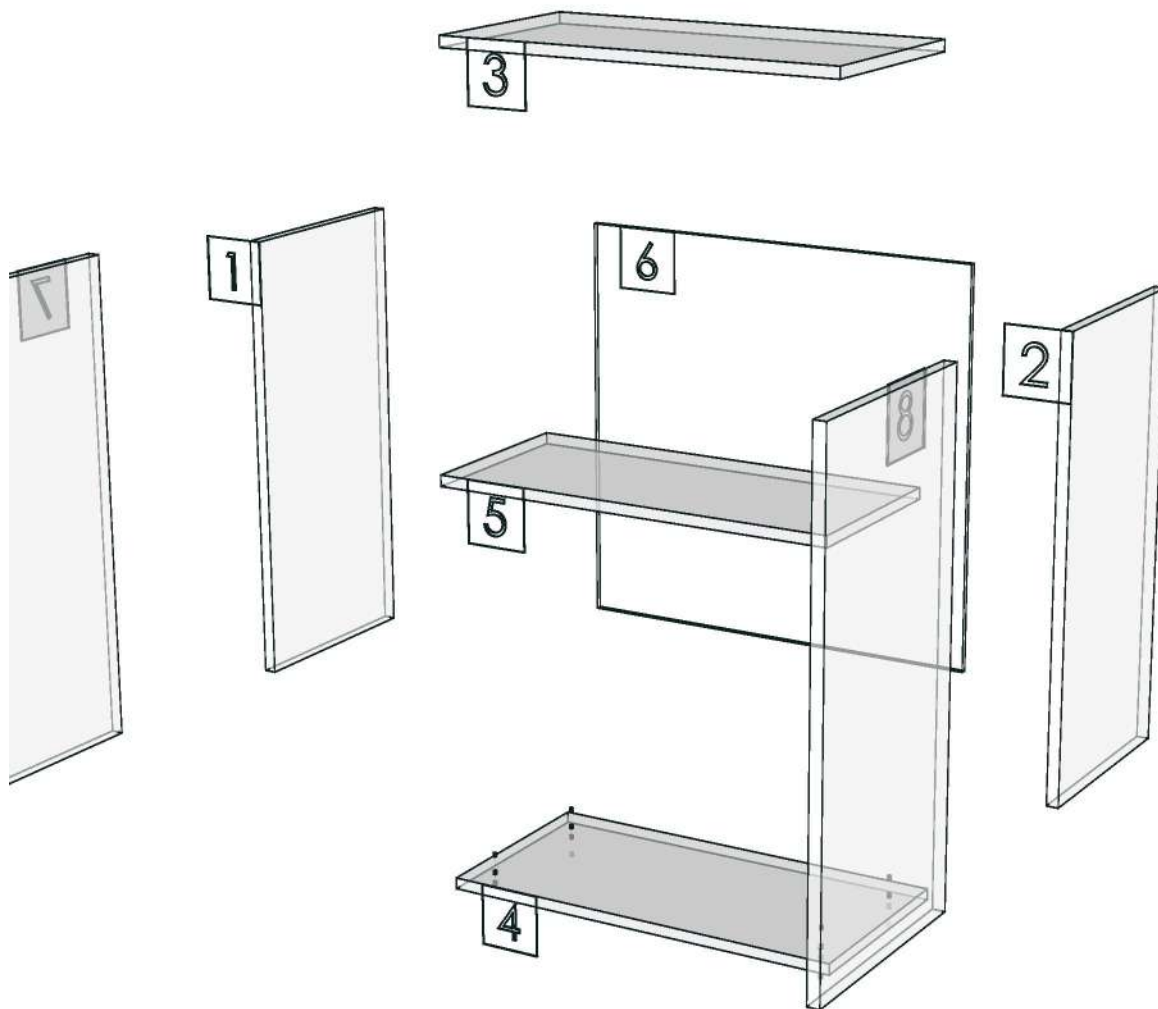
01.405=1 DWK3125AT
01.4051=1 WHITE 01016

K11L 160152691

R&D REVIEW	
<input checked="" type="checkbox"/>	DWG.Customer
<input type="checkbox"/>	Work Report
<input type="checkbox"/>	Function
<input type="checkbox"/>	สินค้าตรงตัวอย่าง
ผู้ทบทวน <i>P.SAWA</i>	
<i>31 / 7 / 68</i>	



Model	-ROMM_CONVECT_DL70L_1		
Creator	SUTTHI.P	.BCP Name	INDEX_C3D_KITCHENPAE
Reviewer		Order	O002521
Approves	<i>P. SAWA</i>	Date	09/06/2025



Model	ROMM_CONVECT_DLC30R_1		
Creator	SUTTHI.P	.BCP Name	INDEX_C3D_KITCHENPAE
Reviewer		Order	O002527
Approves	<i>P.SAWA</i>	Date	09/06/2025

ROMM_CONVECT_DLC30R_1-300X330X680

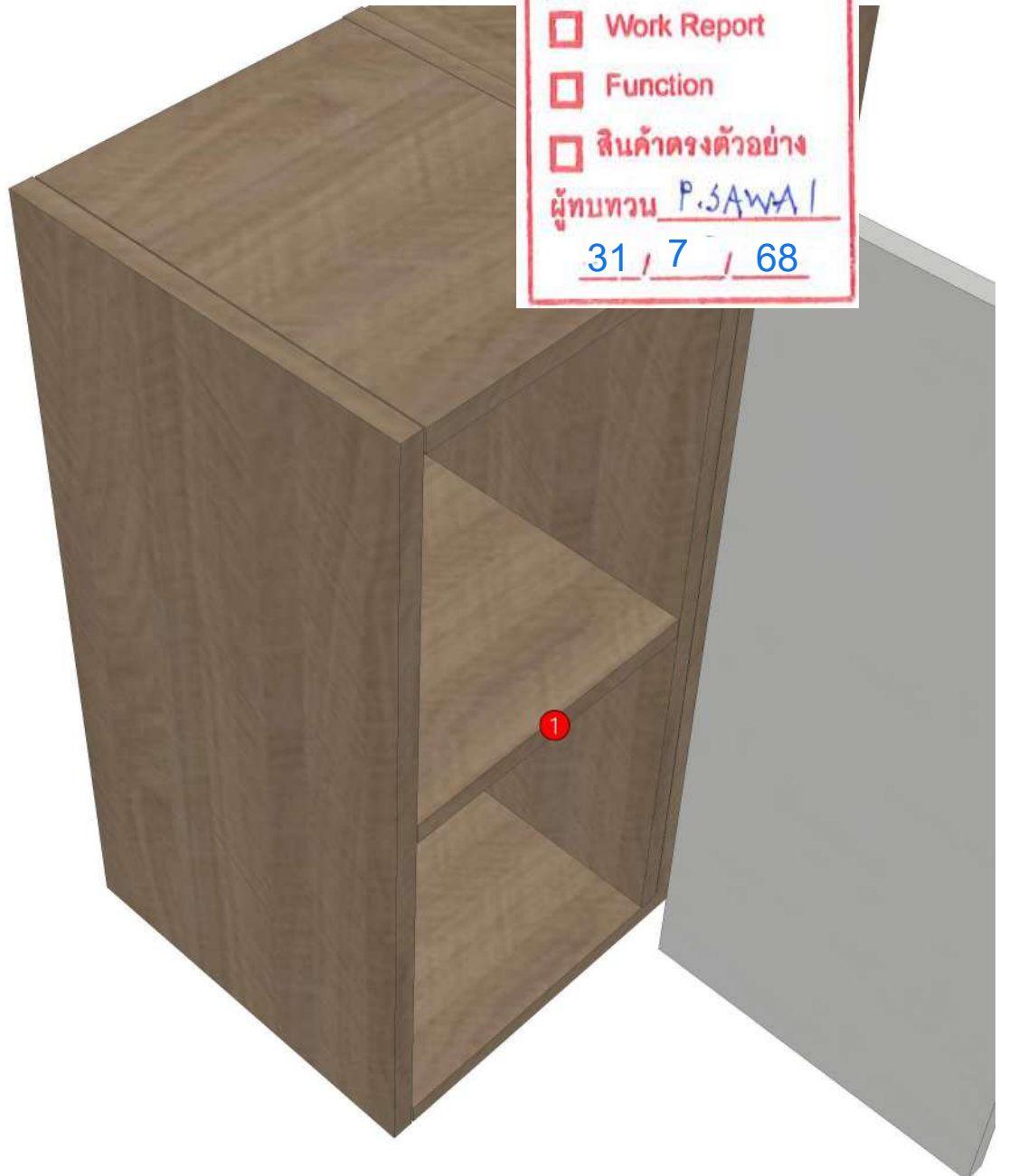
Colour

04.69=PB-E1 4'X8'T LAMINATE WILMIKA TEXT NO. W3125-16
04.691=ALVIC LUMAX-SPP/4'X10'X18MM.-BLANCO SUPPERMATT(LX8)
04.692=PB-E1 4'X9'T. LAMINA WILMIKA TEXT NO. W3125-16
04.693=HPL WILMIKA NO. W3125-16/HPL.TD#9201 PL

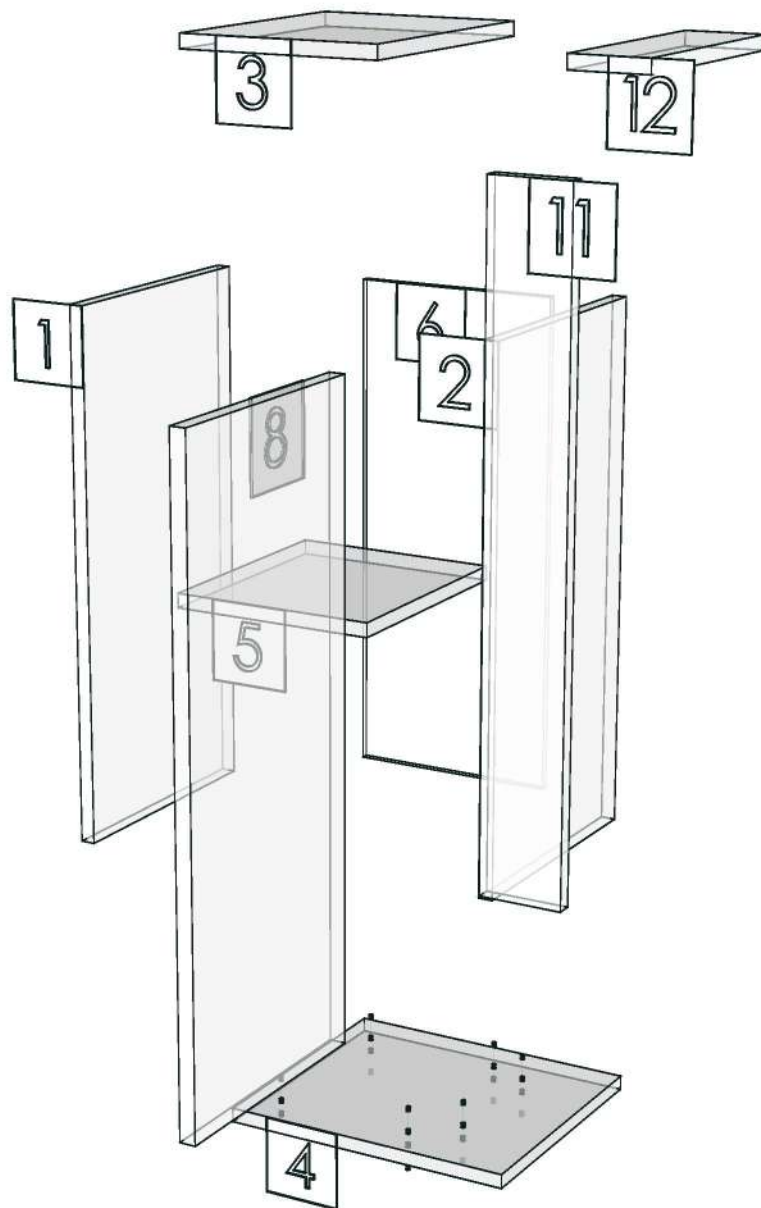
Edge

01.405=1 DWK3125AT
01.4051=1 WHITE 01016

K11L 160152691



Model	-ROMM_CONVECT_DLC30R_1		
Creator	SUTTHI.P	.BCP Name	INDEX_C3D_KITCHENPAE
Reviewer		Order	O002527
Approves	<i>P. SAWA</i>	Date	09/06/2025



Model	ROMM_CONVECT_DLC90_55L_1		
Creator	SUTTHI.P	.BCP Name	INDEX_C3D_KITCHENPAE
Reviewer		Order	0002532
Approves	<i>P.SAWA</i>	Date	09/06/2025

ROMM_CONVECT_DLC90_55L_1-900X330X680

Colour

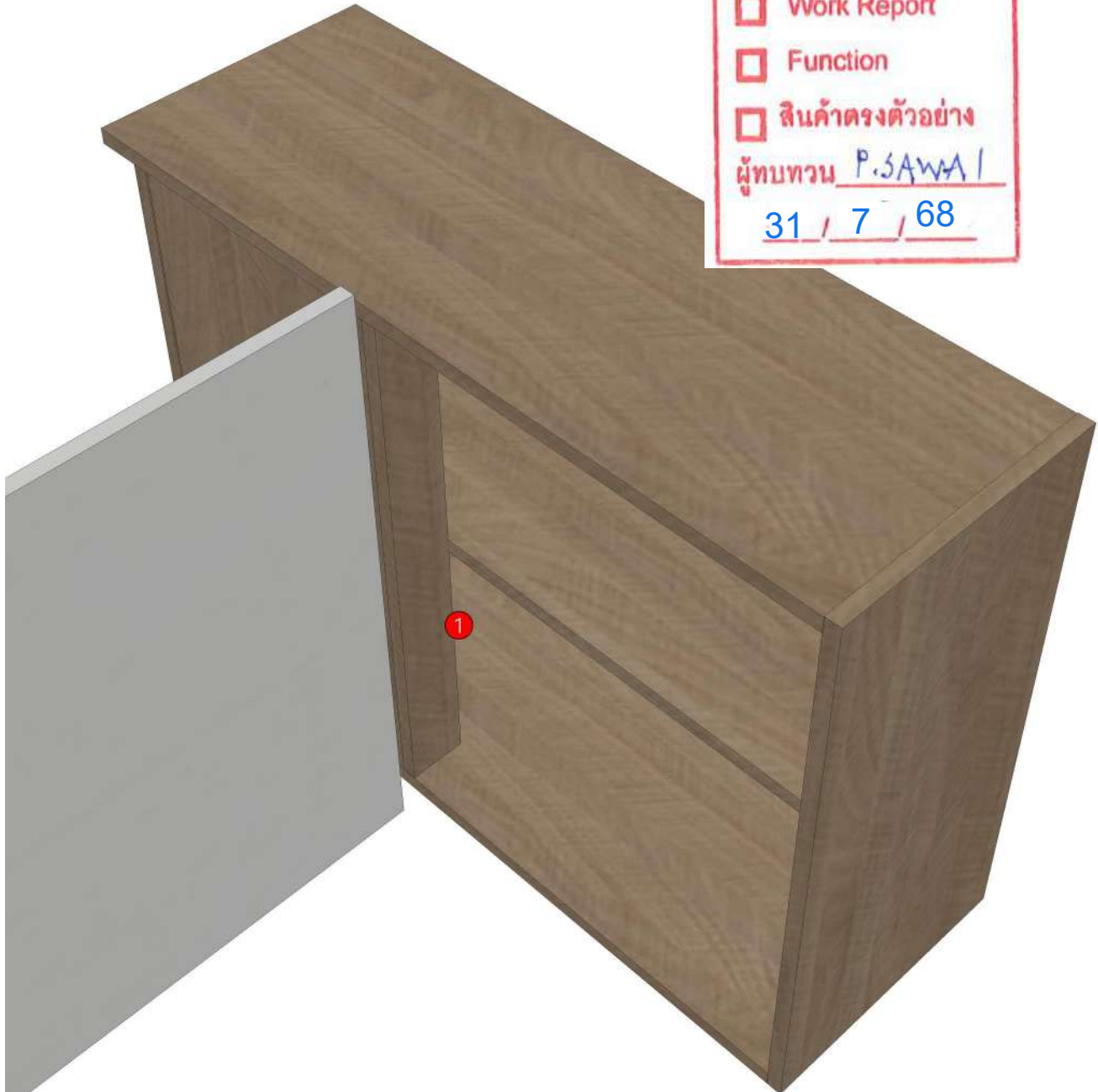
04.69=PB-E1 4'X8'T LAMINATE WILMIKA TEXT NO. W3125-16
04.691=ALVIC LUMAX-SPP/4'X10'X18MM.-BLANCO SUPPERMATT(LX8
04.692=PB-E1 4'X9'T. LAMINA WILMIKA TEXT NO. W3125-16
04.693=HPL WILMIKA NO. W3125-16/HPL.TD#9201 PL

Edge

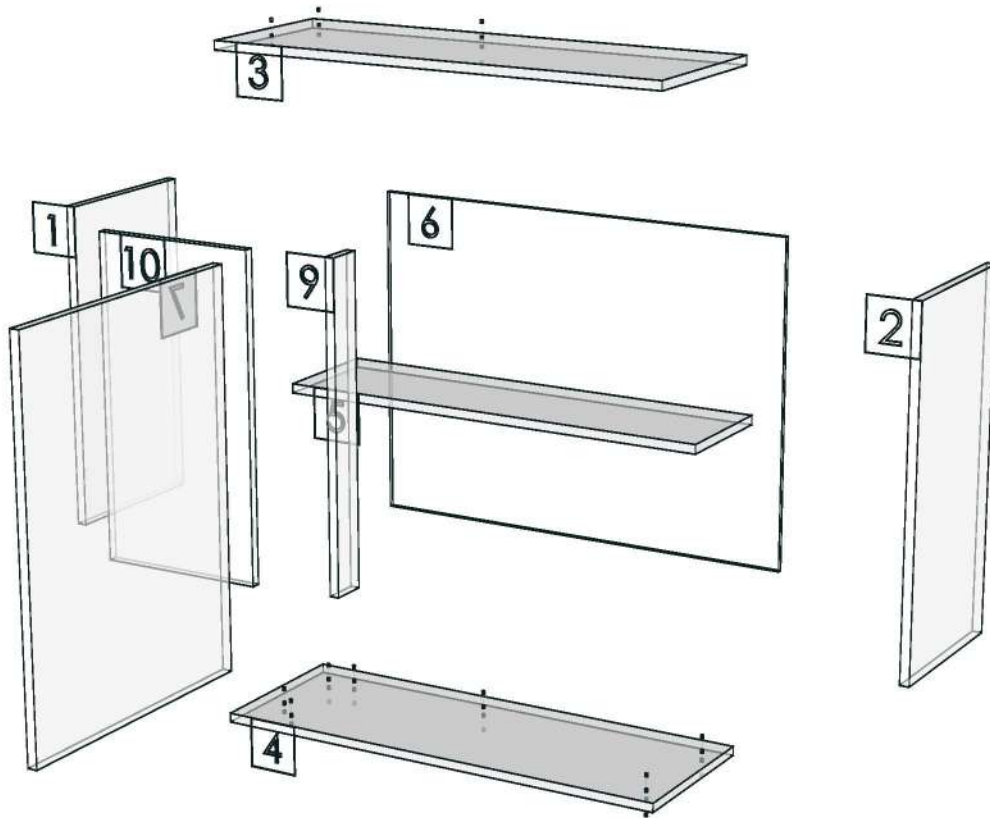
01.405=1 DWK3125AT
01.4051=1 WHITE 01016

K11L 160152691

R&D REVIEW	
<input checked="" type="checkbox"/>	DWG.Customer
<input type="checkbox"/>	Work Report
<input type="checkbox"/>	Function
<input type="checkbox"/>	สินค้าตรงตัวอย่าง
ผู้ทบทวน <u>P.SAWA</u>	
<u>31 / 7 / 68</u>	



Model	-ROMM_CONVECT_DLC90_55L_1		
Creator	SUTTHI.P	.BCP Name	INDEX_C3D_KITCHENPAE
Reviewer		Order	0002532
Approves	<i>P. SAWA</i>	Date	09/06/2025



Model	ROMM_CONVECT_DPLT_1620_1		
Creator	SUTTHI.P	.BCP Name	INDEX_C3D_KITCHENPAE
Reviewer		Order	O002638
Approves	<i>P.SAWA</i>	Date	10/07/2025

ROMM_CONVECT_DPLT_1620_1-1620X9X100

Colour

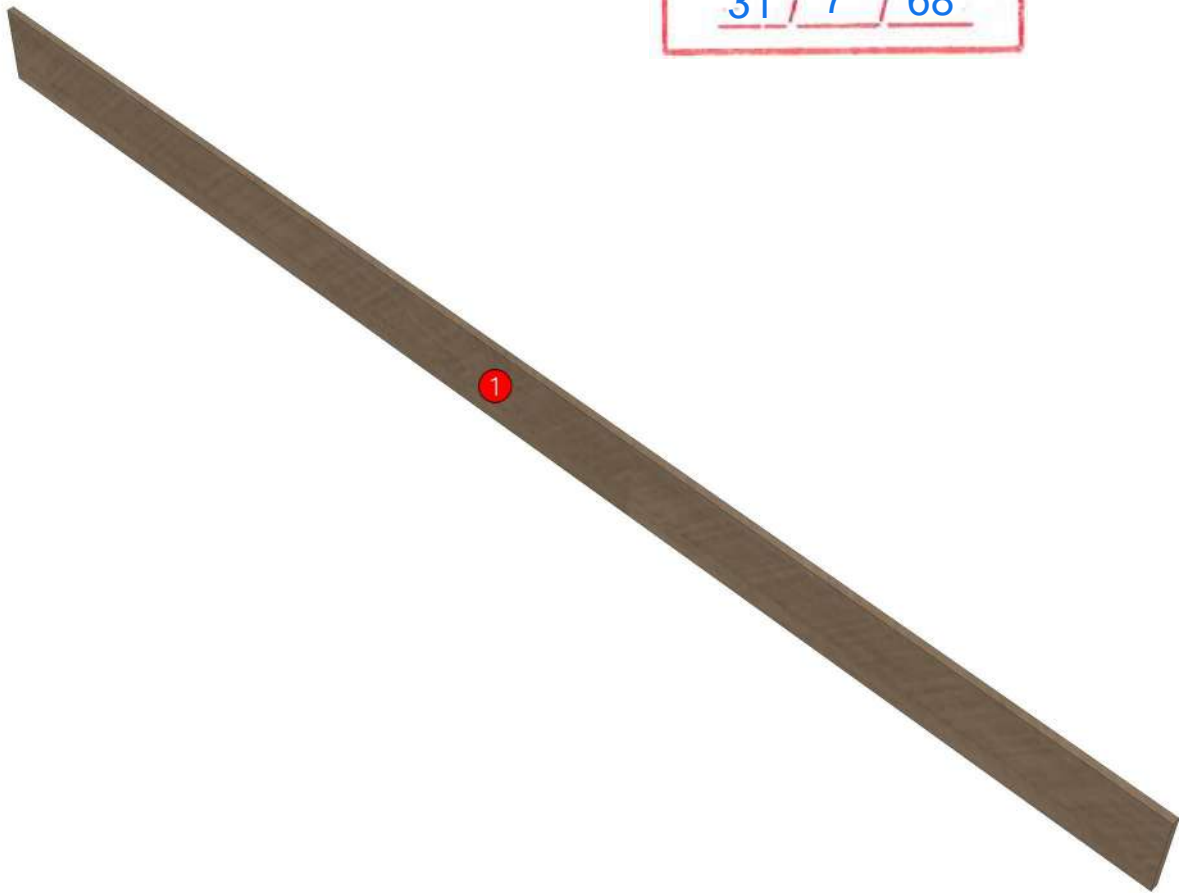
04.69=PB-E1 4'X8'T LAMINATE WILMIKA TEXT NO. W3125-16
04.691=ALVIC LUMAX-SPP/4'X10'X18MM.-BLANCO SUPPERMATT(LX8)

Edge

01.405=1 DWK3125AT
01.4051=1 WHITE 01016

K3R 160161323
K11L 160152691

R&D REVIEW	
<input checked="" type="checkbox"/>	DWG.Customer
<input type="checkbox"/>	Work Report
<input type="checkbox"/>	Function
<input type="checkbox"/>	สินค้าตรงตัวอย่าง
ผู้ทบทวน <u>P.SAWA</u>	
<u>31 / 7 / 68</u>	



Model	-ROMM_CONVECT_DPLT_1620_1		
Creator	SUTTHI.P	.BCP Name	INDEX_C3D_KITCHENPAE
Reviewer		Order	0002638
Approves	P. SAWA	Date	10/07/2025



Model	ROMM_CONVECT_DPLT_1900_1		
Creator	SUTTHI.P	.BCP Name	INDEX_C3D_KITCHENPAE
Reviewer		Order	O002640
Approves	<i>P.SAWA</i>	Date	10/07/2025

ROMM_CONVECT_DPLT_1900_1-1900X9X100

Colour

04.69=PB-E1 4'X8'T LAMINATE WILMIKA TEXT NO. W3125-16
04.691=ALVIC LUMAX-SPP/4'X10'X18MM.-BLANCO SUPPERMATT(LX8)

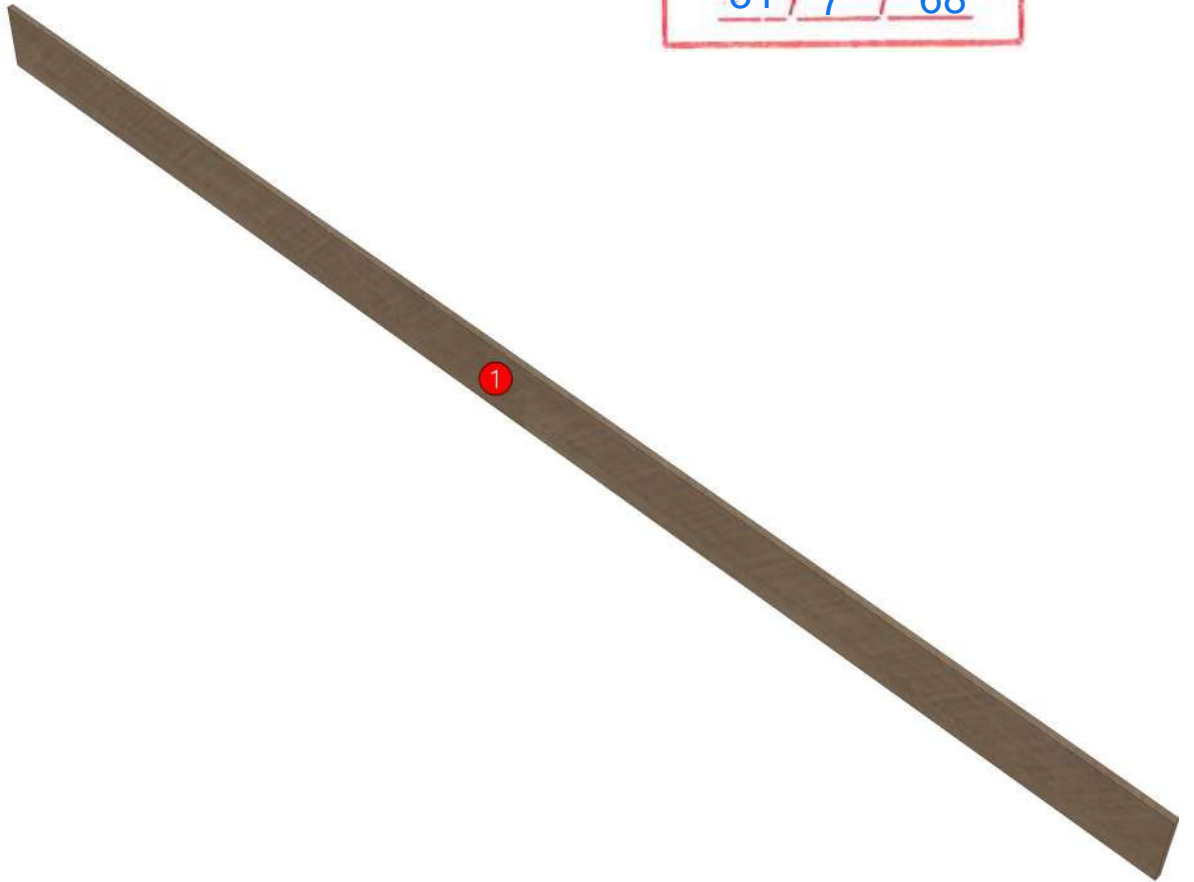
Edge

01.405=1 DWK3125AT
01.4051=1 WHITE 01016

K11L 160152691

K14L 160152715

R&D REVIEW	
<input checked="" type="checkbox"/>	DWG.Customer
<input type="checkbox"/>	Work Report
<input type="checkbox"/>	Function
<input type="checkbox"/>	สินค้าตรงตัวอย่าง
ผู้ทบทวน <u>P.SAWA</u>	
<u>31 / 7 / 68</u>	



Model	-ROMM_CONVECT_DPLT_1900_1		
Creator	SUTTHI.P	.BCP Name	INDEX_C3D_KITCHENPAE
Reviewer		Order	0002640
Approves	P. SAWA	Date	10/07/2025



Model	ROMM_CONVECT_DPLT_500_1		
Creator	SUTTHI.P	.BCP Name	INDEX_C3D_KITCHENPAE
Reviewer		Order	O002645
Approves	<i>P. SAWA</i>	Date	10/07/2025

ROMM_CONVECT_DPLT_500_1-500X9X100

Colour

04.69=PB-E1 4'X8'T LAMINATE WILMIKA TEXT NO. W3125-16
04.691=ALVIC LUMAX-SPP/4'X10'X18MM.-BLANCO SUPPERMATT(LX8)

Edge

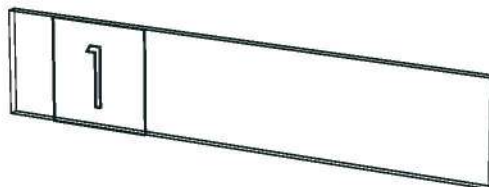
01.405=1 DWK3125AT
01.4051=1 WHITE 01016

K11L 160152691

R&D REVIEW	
<input checked="" type="checkbox"/>	DWG.Customer
<input type="checkbox"/>	Work Report
<input type="checkbox"/>	Function
<input type="checkbox"/>	สินค้าตรงตัวอย่าง
ผู้ทบทวน <i>P.SAWA</i>	
<i>31 / 7 / 68</i>	



Model	-ROMM_CONVECT_DPLT_500_1		
Creator	SUTTHI.P	.BCP Name	INDEX_C3D_KITCHENPAE
Reviewer		Order	0002645
Approves	<i>P. SAWA</i>	Date	10/07/2025



Model	ROMM_CONVECT_DPLT_660S_1		
Creator	SUTTHI.P	.BCP Name	INDEX_C3D_KITCHENPAE
Reviewer		Order	O002646
Approves	P. SAWA	Date	10/07/2025

ROMM_CONVECT_DPLT_660S_1-660X9X100

Colour

04.69=PB-E1 4'X8'T LAMINATE WILMIKA TEXT NO. W3125-16
04.691=ALVIC LUMAX-SPP/4'X10'X18MM.-BLANCO SUPPERMATT(LX8)

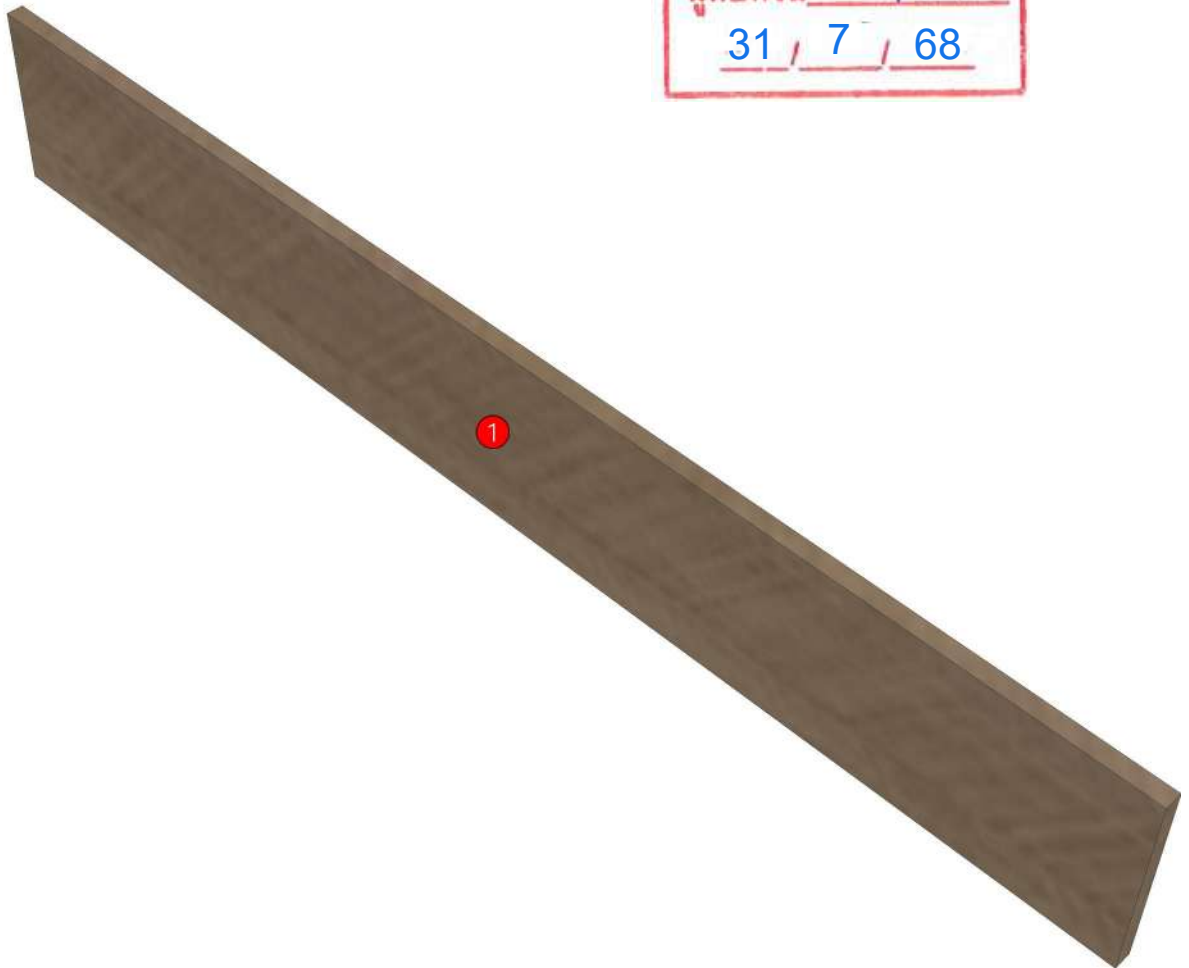
Edge

01.405=1 DWK3125AT
01.4051=1 WHITE 01016

K2R 160160436

K11L 160152691

R&D REVIEW	
<input checked="" type="checkbox"/>	DWG.Customer
<input type="checkbox"/>	Work Report
<input type="checkbox"/>	Function
<input type="checkbox"/>	สินค้าตรงตัวอย่าง
ผู้ทบทวน <u>P.SAWA</u>	
<u>31 / 7 / 68</u>	



Model	-ROMM_CONVECT_DPLT_660S_1		
Creator	SUTTHI.P	.BCP Name	INDEX_C3D_KITCHENPAE
Reviewer		Order	0002646
Approves	<i>P. SAWA</i>	Date	10/07/2025



Model	ROMM_CONVECT_DSH_2125_1		
Creator	SUTTHI.P	.BCP Name	INDEX_C3D_KITCHENPAE
Reviewer		Order	O002541
Approves	P.SAWA	Date	10/06/2025

ROMM_CONVECT_DSH_2125_1-2125X350X25

Colour

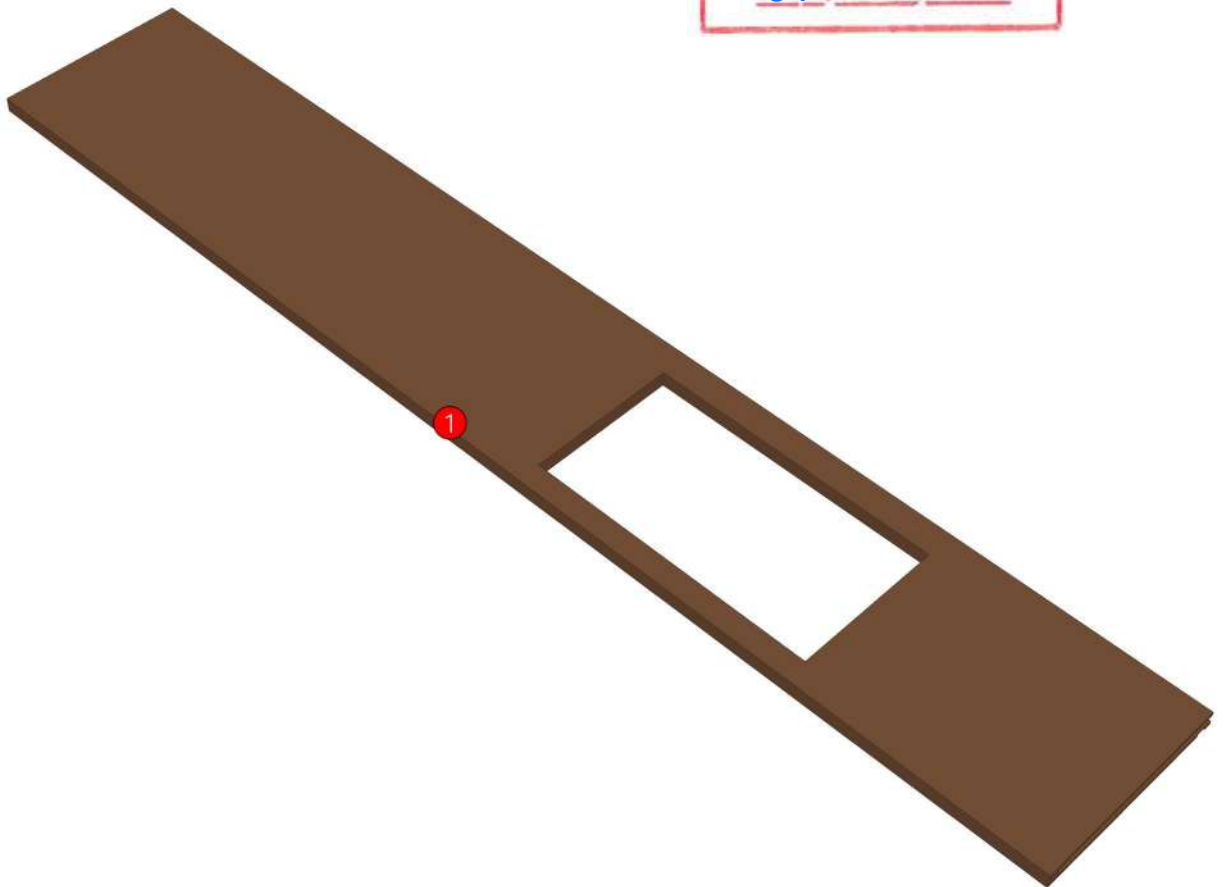
04.69=PB-E1 4'X8'T LAMINATE WILMIKA TEXT NO. W3125-16
04.691=ALVIC LUMAX-SPP/4'X10'X18MM.-BLANCO SUPPERMATT(LX8)

Edge

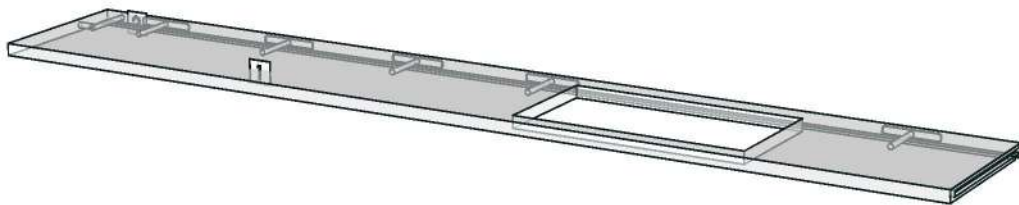
01.405=1 DWK3125AT
01.4051=1 WHITE 01016

K11L 160152691

R&D REVIEW	
<input checked="" type="checkbox"/>	DWG.Customer
<input type="checkbox"/>	Work Report
<input type="checkbox"/>	Function
<input type="checkbox"/>	สินค้าตรงตัวอย่าง
ผู้ทบทวน <u>P.SAWA</u>	
<u>31 / 7 / 68</u>	



Model	-ROMM_CONVECT_DSH_2125_1		
Creator	SUTTHI.P	.BCP Name	INDEX_C3D_KITCHENPAE
Reviewer		Order	O002541
Approves	<i>P. SAWA</i>	Date	10/06/2025



Model	ROMM_CONVECT_DSH_950_1		
Creator	SUTTHI.P	.BCP Name	INDEX_C3D_KITCHENPAE
Reviewer		Order	O002545
Approves	<i>P. SAWA</i>	Date	10/06/2025

ROMM_CONVECT_DSH_950_1-950X350X25

Colour

04.69=PB-E1 4'X8'T LAMINATE WILMIKA TEXT NO. W3125-16
04.691=ALVIC LUMAX-SPP/4'X10'X18MM.-BLANCO SUPPERMATT(LX8)

Edge

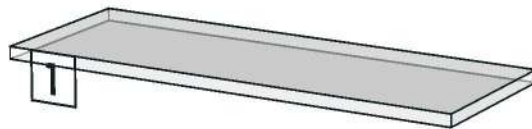
01.405=1 DWK3125AT
01.4051=1 WHITE 01016

K11L 160152691

R&D REVIEW	
<input checked="" type="checkbox"/>	DWG.Customer
<input type="checkbox"/>	Work Report
<input type="checkbox"/>	Function
<input type="checkbox"/>	สินค้าตรงตัวอย่าง
ผู้ทบทวน <u>P.SAWA</u>	
<u>31 / 7 / 68</u>	



Model	-ROMM_CONVECT_DSH_950_1		
Creator	SUTTHI.P	.BCP Name	INDEX_C3D_KITCHENPAE
Reviewer		Order	0002545
Approves	P. SAWA	Date	10/06/2025



Model	ROMM_CONVECT_DT70SL_1		
Creator	SUTTHI.P	.BCP Name	INDEX_C3D_KITCHENPAE
Reviewer		Order	O002575
Approves	<i>P.SAWA</i>	Date	17/06/2025

ROMM_CONVECT_DT70SL_1-700X700X2550

Colour

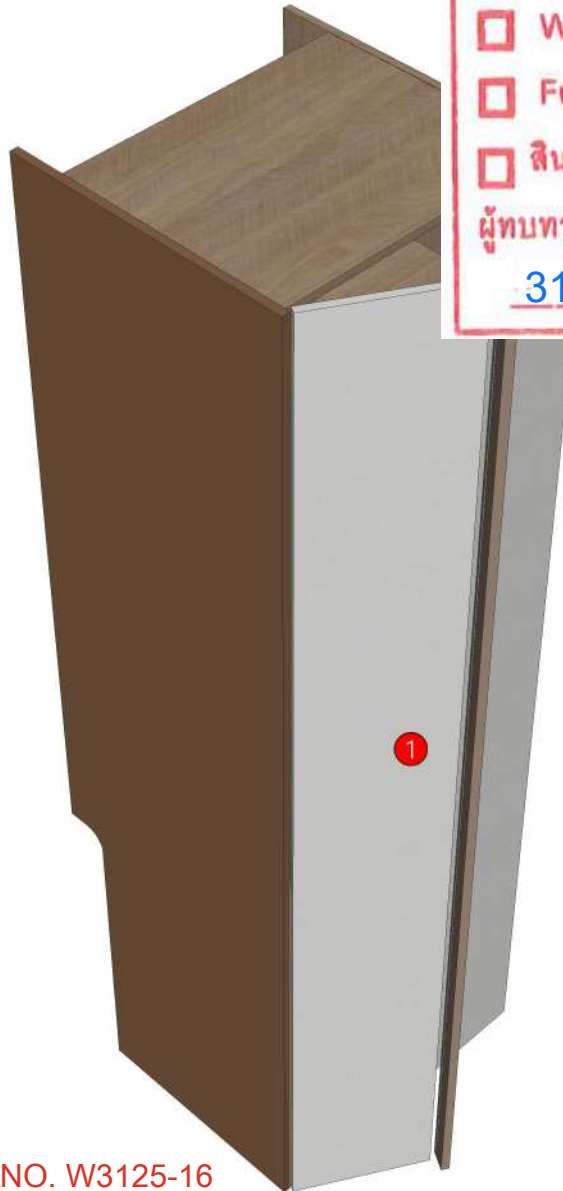
04.69=PB-E1 4'X8'T LAMINATE WILMIKA TEXT NO. W3125-16
04.691=ALVIC LUMAX-SPP/4'X10'X18MM.-BLANCO SUPPERMATT(LX8
04.692=PB-E1 4'X9'T. LAMINA WILMIKA TEXT NO. W3125-16
04.693=HPL WILMIKA NO. W3125-16/HPL.TD#9201 PL

Edge

01.405=1 DWK3125AT
01.4051=1 WHITE 01016

K2R 160160436

K11L 160152691



R&D REVIEW	
<input checked="" type="checkbox"/>	DWG.Customer
<input type="checkbox"/>	Work Report
<input type="checkbox"/>	Function
<input type="checkbox"/>	สินค้าตรงตัวอย่าง
ผู้ทบทวน <u>P.SAWA</u>	
<u>31 / 7 / 68</u>	

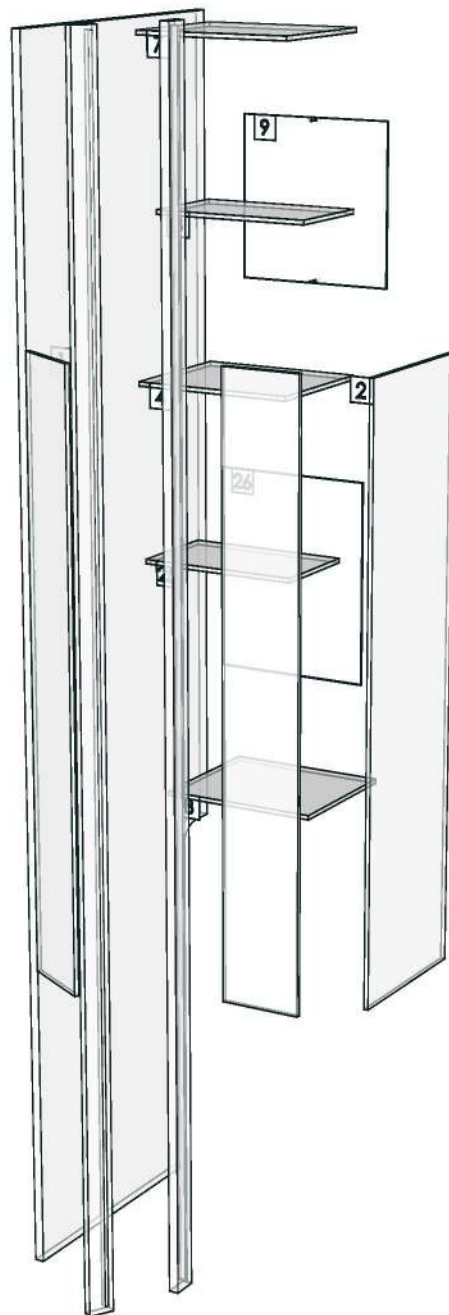
*** แผ่นหลังแบบถอดได้

*** ไซ้ไม้ PB-E1 4'X9'T.

18/2 LAMINA WILMIKA TEXT NO. W3125-16

ตัดชิ้นงานทั้งตัว เพื่อเจดไม้ให้เหมือนกัน

Model	-ROMM_CONVECT_DT70SL_1		
Creator	SUTTHI.P	.BCP Name	INDEX_C3D_KITCHENPAE
Reviewer		Order	0002575
Approves	<i>P. SAWA</i>	Date	17/06/2025



Model	ROMM_CONVECT_DUT_1000_1		
Creator	SUTTHI.P	.BCP Name	INDEX_C3D_KITCHENPAE
Reviewer		Order	O002649
Approves	P. SAWA I	Date	10/07/2025

ROMM_CONVECT_DUT_1000_1-1000X16X50

Colour

04.69=LAMINATE HPL DWK3125AT EDL

04.691=ALVIC LUMAX-SPP/4'X10'X18MM.-BLANCO SUPPERMATT(LX8

05.01=ML WHITE VM1012 18/18

Edge

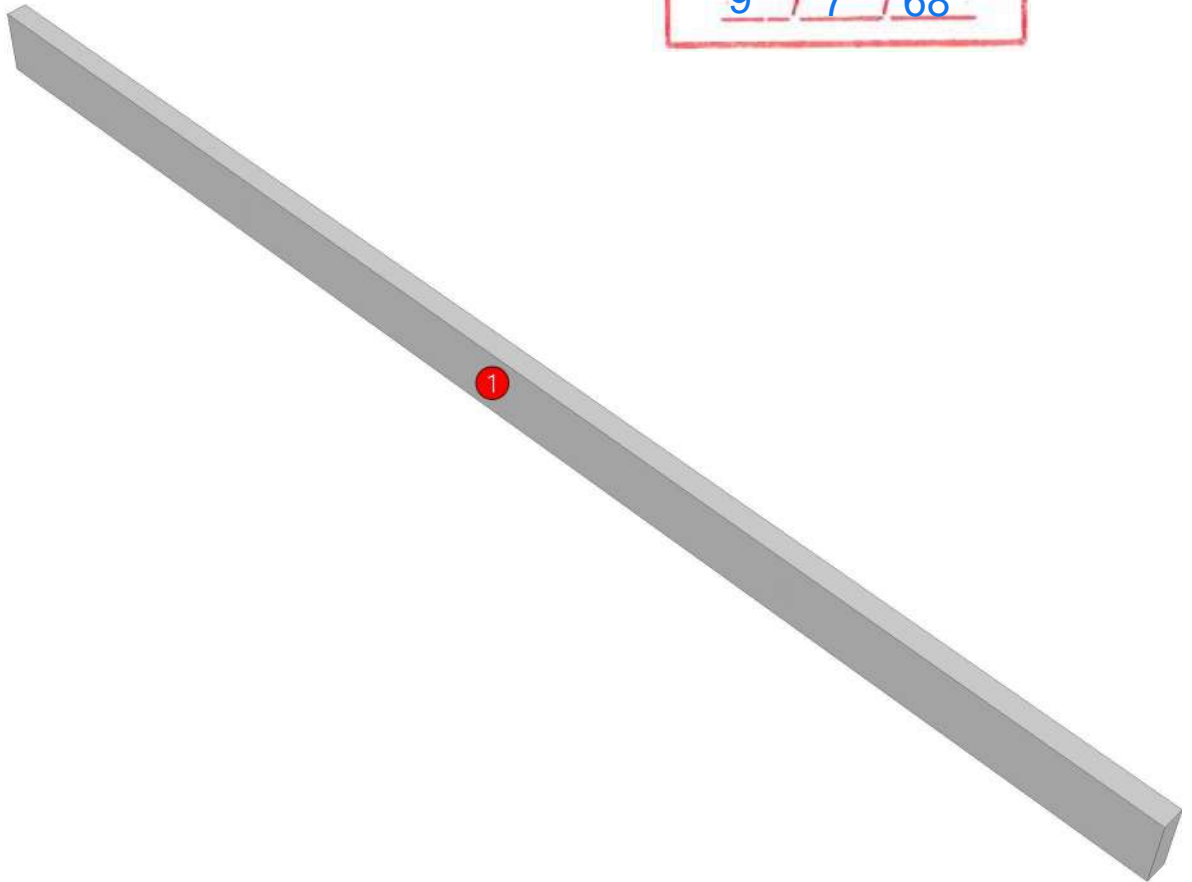
01.405=1 DWK3125AT

01.4051=1 WHITE 01016

01.47=1 WHITE

K11L 160152691

R&D REVIEW	
<input checked="" type="checkbox"/>	DWG.Customer
<input type="checkbox"/>	Work Report
<input type="checkbox"/>	Function
<input type="checkbox"/>	สินค้าตรงตัวอย่าง
ผู้ทบทวน P.SAWA I	
9 / 7 / 68	



Model	-ROMM_CONVECT_DUT_1000_1		
Creator	SUTTHI.P	.BCP Name	INDEX_C3D_KITCHENPAE
Reviewer		Order	0002649
Approves	<i>P. SAWA</i>	Date	10/07/2025



Model	ROMM_CONVECT_DUT_1700I_1		
Creator	SUTTHI.P	.BCP Name	INDEX_C3D_KITCHENPAE
Reviewer		Order	O002652
Approves	<i>P.SAWA</i>	Date	10/07/2025

ROMM_CONVECT_DUT_1700I_1-1700X18X650

Colour

04.69=LAMINATE HPL DWK3125AT EDL

04.691=ALVIC LUMAX-SPP/4'X10'X18MM.-BLANCO SUPPERMATT(LX8

05.01=ML WHITE VM1012 18/18

Edge

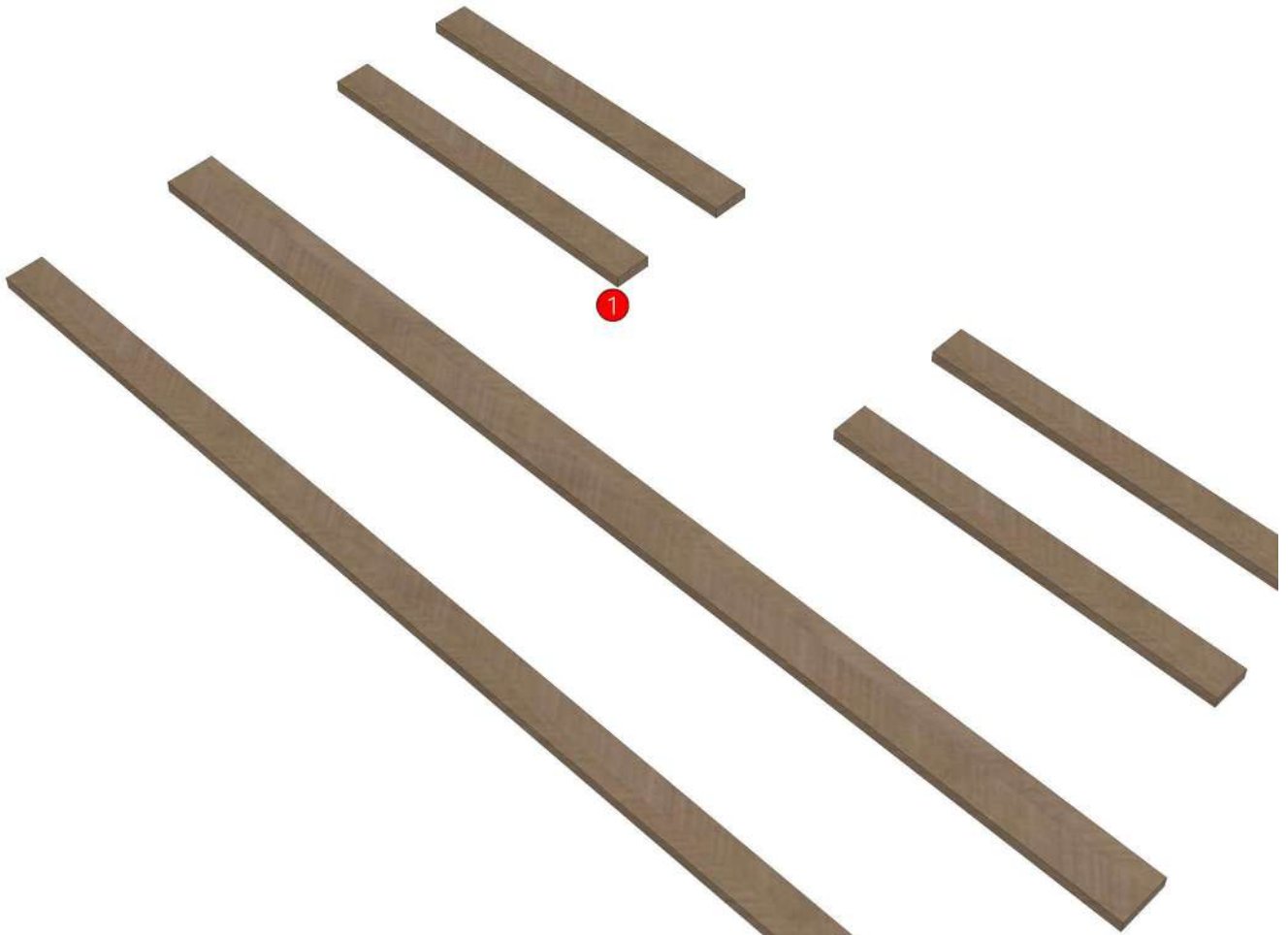
01.405=1 DWK3125AT

01.4051=1 WHITE 01016

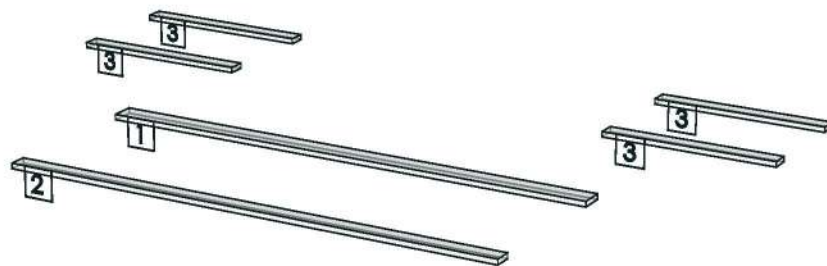
01.47=1 WHITE

K11L 160152691

R&D REVIEW	
<input checked="" type="checkbox"/>	DWG.Customer
<input type="checkbox"/>	Work Report
<input type="checkbox"/>	Function
<input type="checkbox"/>	สินค้าตรงตัวอย่าง
ผู้ทบทวน <i>P.SAWA</i>	
<i>23 / 7 / 68</i>	



Model	-ROMM_CONVECT_DUT_1700I_1		
Creator	SUTTHI.P	.BCP Name	INDEX_C3D_KITCHENPAE
Reviewer		Order	O002652
Approves	<i>P. SAWA</i>	Date	10/07/2025



Model	ROMM_CONVECT_DUT_1800_1		
Creator	SUTTHI.P	.BCP Name	INDEX_C3D_KITCHENPAE
Reviewer		Order	O002654
Approves	P.SAWA	Date	10/07/2025

ROMM_CONVECT_DUT_1800_1-1800X16X50

Colour

04.69=LAMINATE HPL DWK3125AT EDL

04.691=ALVIC LUMAX-SPP/4'X10'X18MM.-BLANCO SUPPERMATT(LX8

05.01=ML WHITE VM1012 18/18

Edge

01.405=1 DWK3125AT

01.4051=1 WHITE 01016

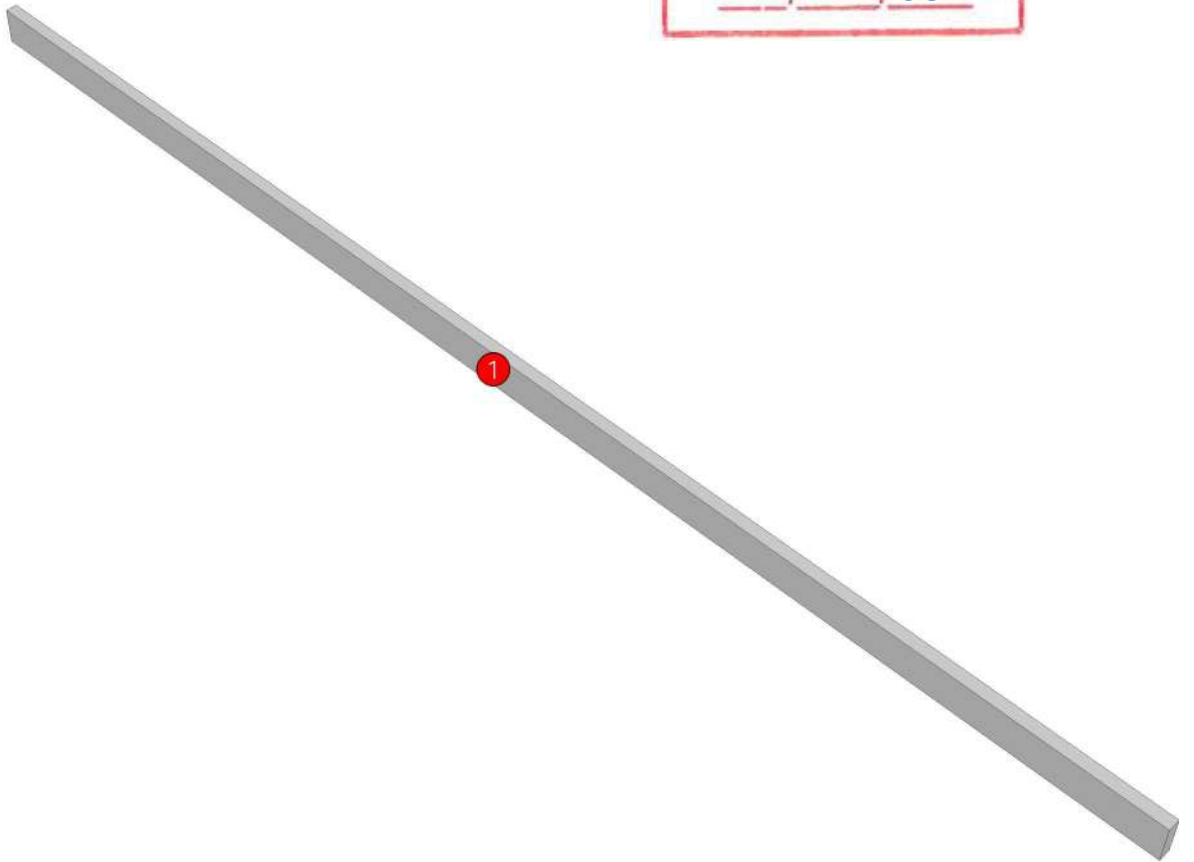
01.47=1 WHITE

K1R 160160423

K11L 160152691

K14L 160152715

R&D REVIEW	
<input checked="" type="checkbox"/>	DWG.Customer
<input type="checkbox"/>	Work Report
<input type="checkbox"/>	Function
<input type="checkbox"/>	สินค้าตรงตัวอย่าง
ผู้ทบทวน <u>P.SAWA</u>	
<u>9 / 7 / 68</u>	



Model	-ROMM_CONVECT_DUT_1800_1		
Creator	SUTTHI.P	.BCP Name	INDEX_C3D_KITCHENPAE
Reviewer		Order	0002654
Approves	<i>P. SAWA</i>	Date	10/07/2025



Model	ROMM_CONVECT_LED_1830_1		
Creator	SUTTHI.P	.BCP Name	INDEX_C3D_KITCHENPAE
Reviewer		Order	O002552
Approves	<i>P.SAWA</i>	Date	10/06/2025

ROMM_CONVECT_LED_1830_1-1830X330X18

Colour

04.69=LAMINATE HPL DWK3125AT EDL

04.691=ALVIC LUMAX-SPP/4'X10'X18MM.-BLANCO SUPPERMATT(LX8

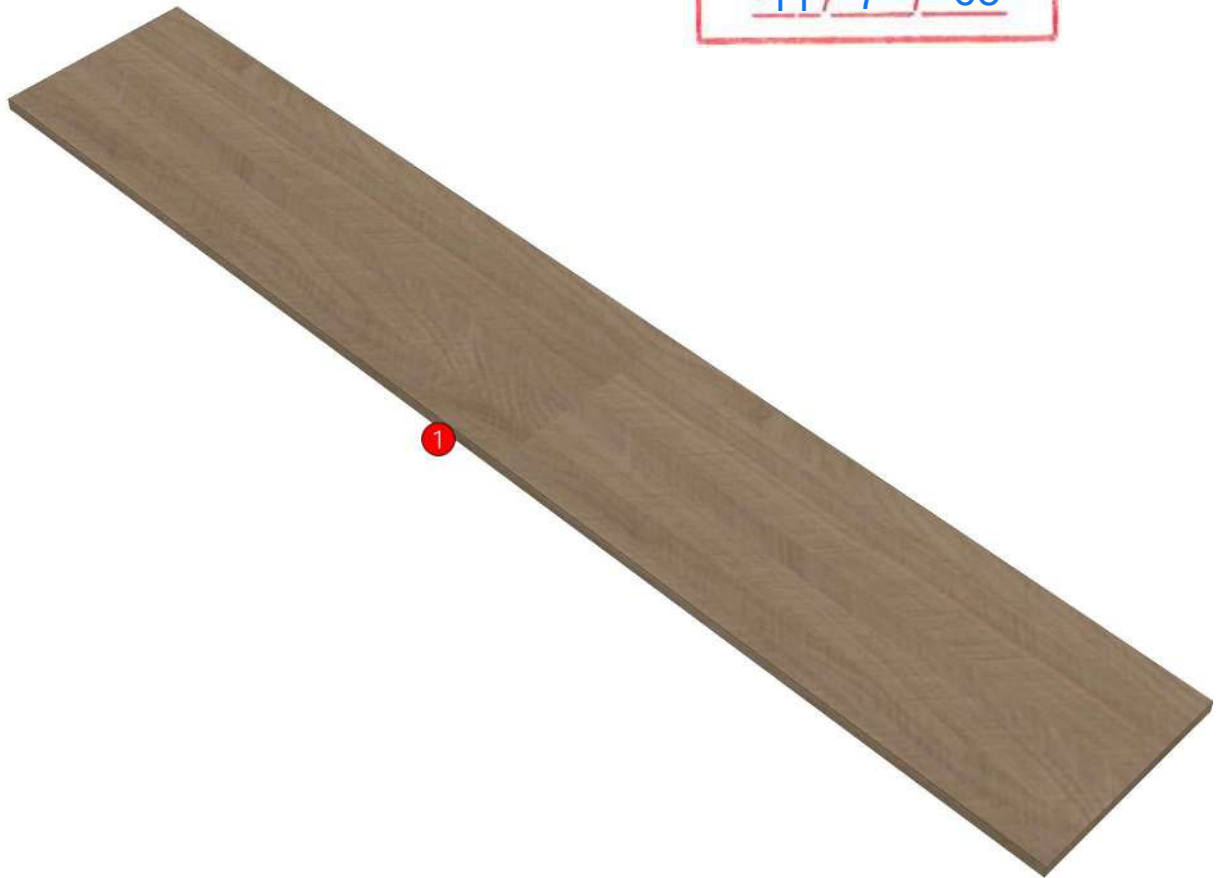
Edge

01.405=1 DWK3125AT

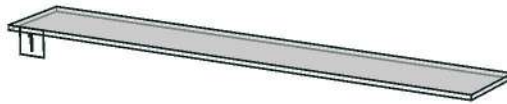
01.4051=1 WHITE 01016

K11L 160152691

R&D REVIEW	
<input checked="" type="checkbox"/>	DWG.Customer
<input type="checkbox"/>	Work Report
<input type="checkbox"/>	Function
<input type="checkbox"/>	สินค้าตรงตัวอย่าง
ผู้ทบทวน <u>P.SAWA</u>	
<u>11 / 7 / 68</u>	



Model	-ROMM_CONVECT_LED_1830_1		
Creator	SUTTHI.P	.BCP Name	INDEX_C3D_KITCHENPAE
Reviewer		Order	0002552
Approves	<i>P. SAWA</i>	Date	10/06/2025



Model	ROMM_CONVECT_LED_415_1		
Creator	SUTTHI.P	.BCP Name	INDEX_C3D_KITCHENPAE
Reviewer		Order	0002555
Approves	P.SAWA	Date	10/06/2025

ROMM_CONVECT_LED_415_1-415X330X18

Colour

04.69=LAMINATE HPL DWK3125AT EDL

04.691=ALVIC LUMAX-SPP/4'X10'X18MM.-BLANCO SUPPERMATT(LX8

Edge

01.405=1 DWK3125AT

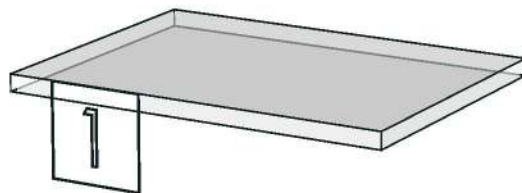
01.4051=1 WHITE 01016

K11L 160152691

R&D REVIEW	
<input checked="" type="checkbox"/>	DWG.Customer
<input type="checkbox"/>	Work Report
<input type="checkbox"/>	Function
<input type="checkbox"/>	สินค้าตรงตัวอย่าง
ผู้ทบทวน <u>P.SAWA</u>	
<u>11 / 7 / 68</u>	



Model	-ROMM_CONVECT_LED_415_1		
Creator	SUTTHI.P	.BCP Name	INDEX_C3D_KITCHENPAE
Reviewer		Order	0002555
Approves	<i>P. SAWA</i>	Date	10/06/2025



Model	ROMM_CONVECT_LED_950_1		
Creator	SUTTHI.P	.BCP Name	INDEX_C3D_KITCHENPAE
Reviewer		Order	0002563
Approves	<i>P. SAWA</i>	Date	10/06/2025

ROMM_CONVECT_LED_950_1-950X330X18

Colour

04.69=LAMINATE HPL DWK3125AT EDL

04.691=ALVIC LUMAX-SPP/4'X10'X18MM.-BLANCO SUPPERMATT(LX8

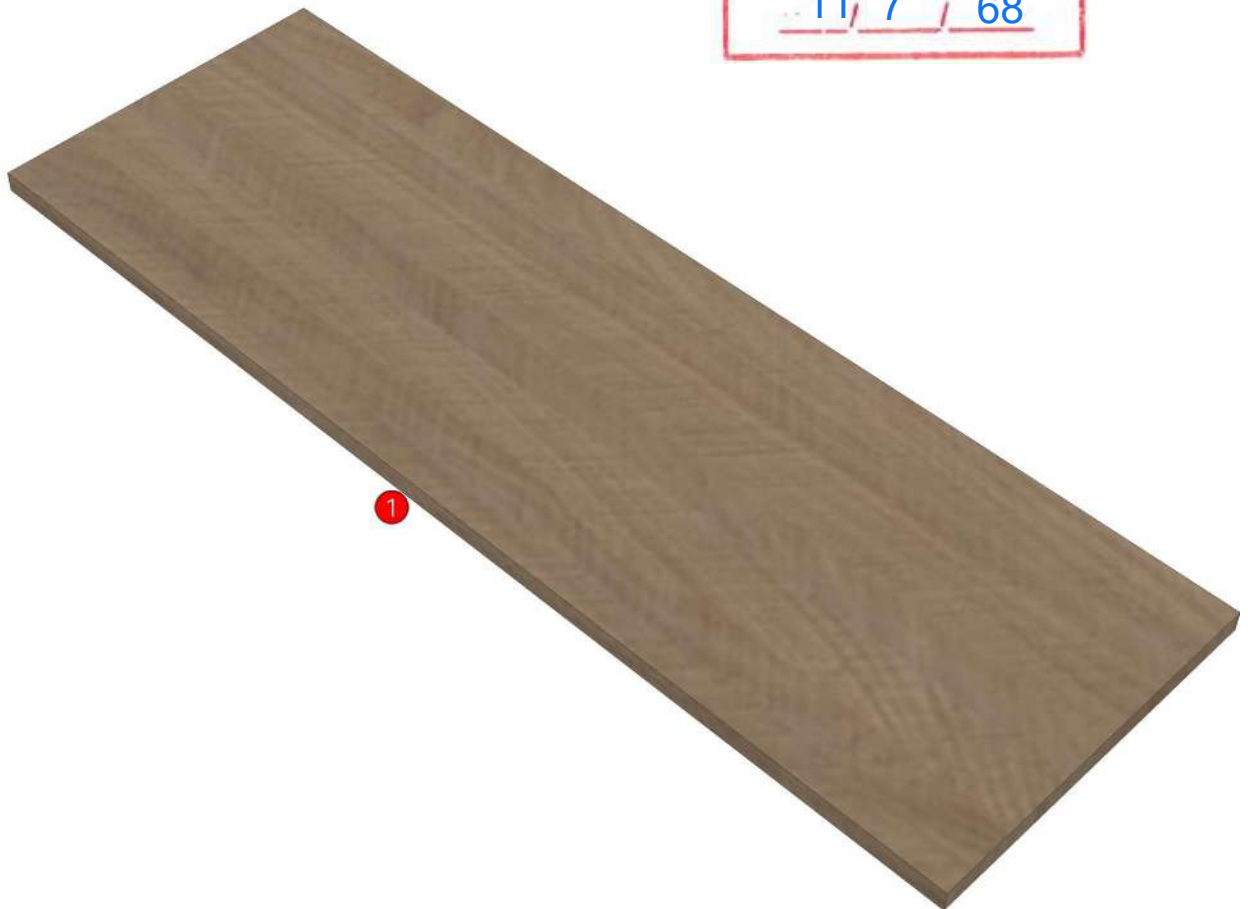
Edge

01.405=1 DWK3125AT

01.4051=1 WHITE 01016

K11L 160152691

R&D REVIEW	
<input checked="" type="checkbox"/>	DWG.Customer
<input type="checkbox"/>	Work Report
<input type="checkbox"/>	Function
<input type="checkbox"/>	สินค้าตรงตัวอย่าง
ผู้ทบทวน <u>P.SAWA</u>	
<u>11 / 7 / 68</u>	



Model	-ROMM_CONVECT_LED_950_1		
Creator	SUTTHI.P	.BCP Name	INDEX_C3D_KITCHENPAE
Reviewer		Order	0002563
Approves	<i>P. SAWA</i>	Date	10/06/2025

