

Model	ROMM_CONVECT_DB212I_1		
Creator	SUTTHI.P	.BCP Name	INDEX_C3D_KITCHENPAE
Reviewer		Order	O002472
Approves	<i>P.SAWAI</i>	Date	06/06/2025

ROMM_CONVECT_DB212I_1-2120X570X760

Colour

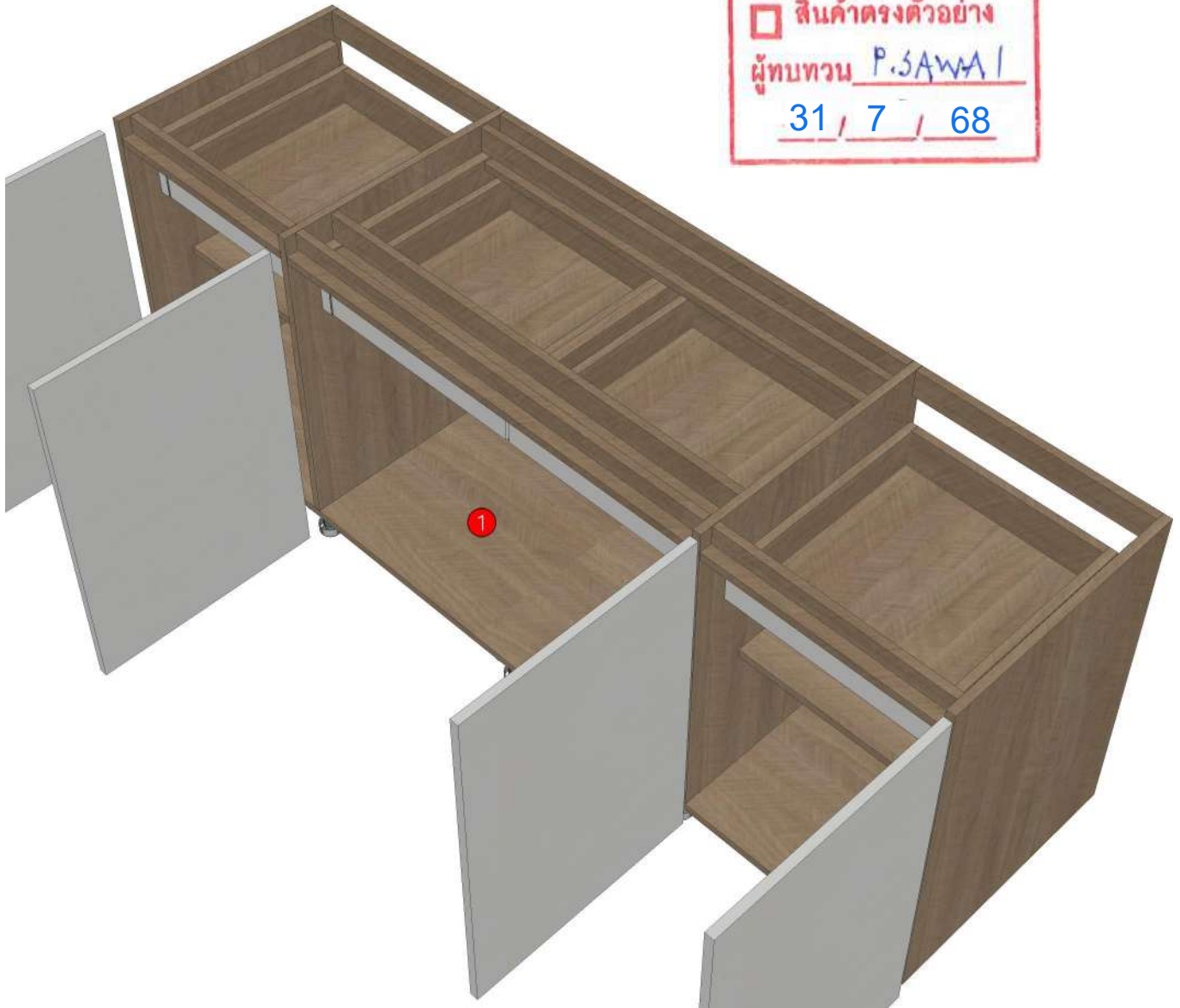
04.69=PB-E1 4'X8'T LAMINATE WILMIKA TEXT NO. W3125-16
04.691=ALVIC LUMAX-SPP/4'X10'X18MM.-BLANCO SUPPERMATT(LX8)
04.692=PB-E1 4'X9'T. LAMINA WILMIKA TEXT NO. W3125-16
04.693=HPL WILMIKA NO. W3125-16/HPL.TD#9201 PL

Edge

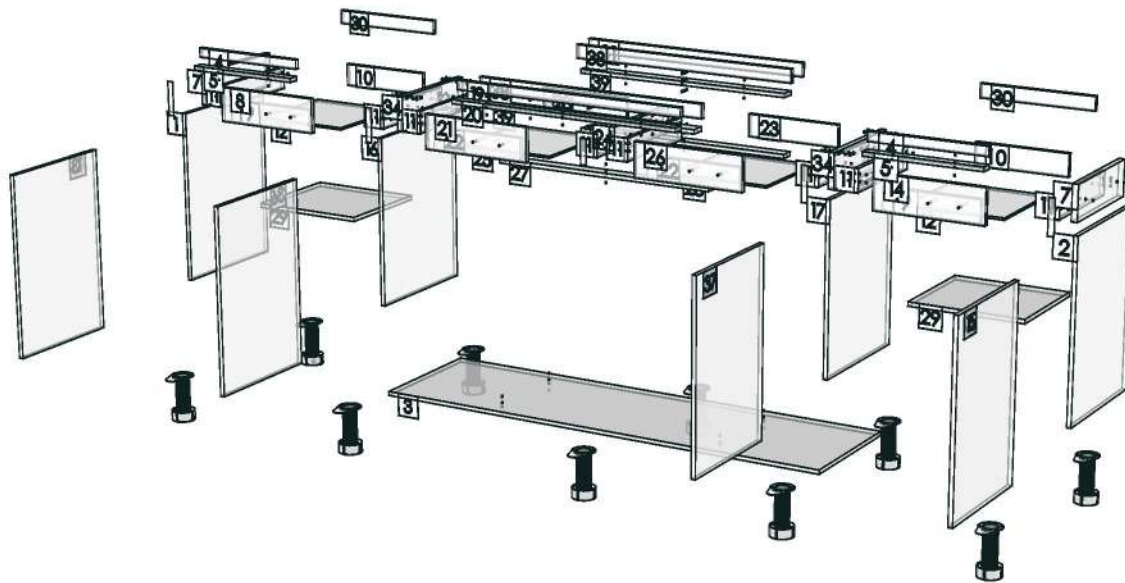
01.405=1 DWK3125AT
01.4051=1 WHITE 01016

K5R 160152669

R&D REVIEW	
<input checked="" type="checkbox"/>	DWG.Customer
<input type="checkbox"/>	Work Report
<input type="checkbox"/>	Function
<input type="checkbox"/>	สินค้าตรงตัวอย่าง
ผู้ทบทวน <u>P.SAWAI</u>	
<u>31 / 7 / 68</u>	



Model	-ROMM_CONVECT_DB212I_1		
Creator	SUTTHI.P	.BCP Name	INDEX_C3D_KITCHENPAE
Reviewer		Order	O002472
Approves	<i>P.SAWAI</i>	Date	06/06/2025



Model	ROMM_CONVECT_DB605LL_1		
Creator	SUTTHI.P	.BCP Name	INDEX_C3D_KITCHENPAE
Reviewer		Order	O002479
Approves	<i>P.SAWA</i>	Date	06/06/2025

ROMM_CONVECT_DB605LL_1-608X570X830

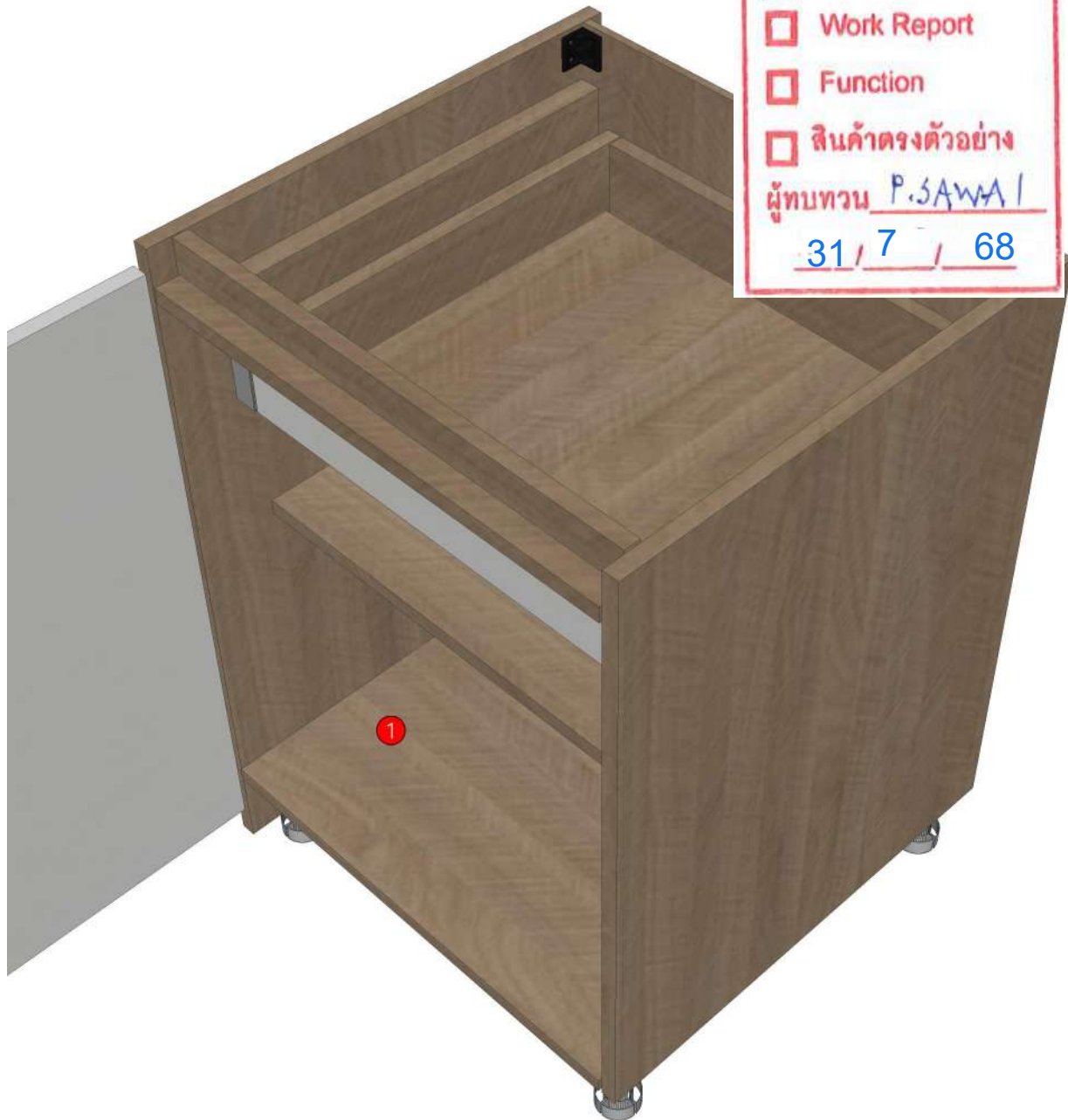
Colour

04.69=PB-E1 4'X8'T LAMINATE WILMIKA TEXT NO. W3125-16
04.691=ALVIC LUMAX-SPP/4'X10'X18MM.-BLANCO SUPPERMATT(LX8)
04.692=PB-E1 4'X9'T. LAMINA WILMIKA TEXT NO. W3125-16
04.693=HPL WILMIKA NO. W3125-16/HPL.TD#9201 PL

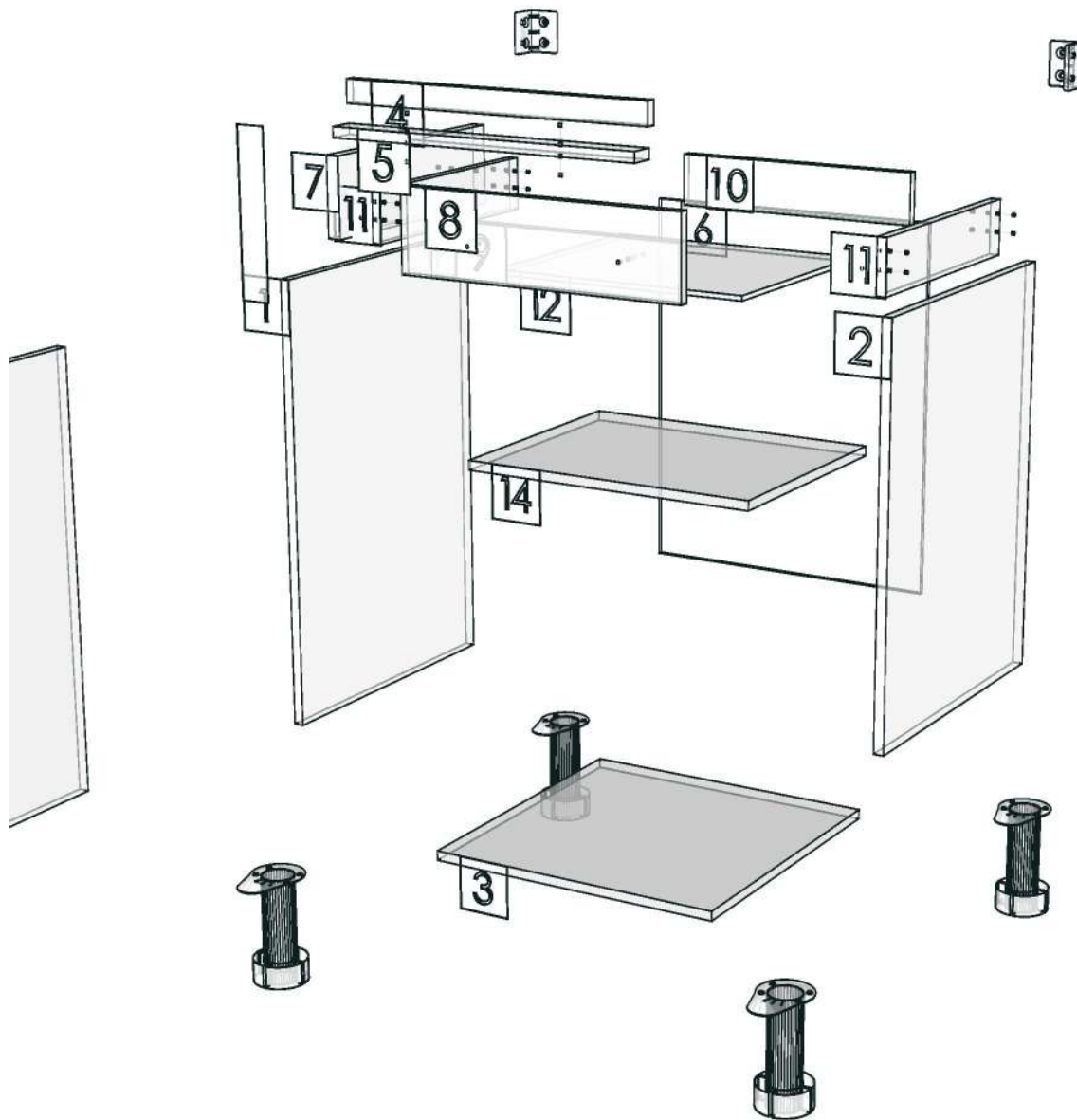
Edge

01.405=1 DWK3125AT
01.4051=1 WHITE 01016

K5R 160152669



Model	-ROMM_CONVECT_DB605LL_1		
Creator	SUTTHI.P	.BCP Name	INDEX_C3D_KITCHENPAE
Reviewer		Order	O002479
Approves	<i>P. SAWA</i>	Date	06/06/2025



Model	ROMM_CONVECT_DBD20_1		
Creator	SUTTHI.P	.BCP Name	INDEX_C3D_KITCHENPAE
Reviewer		Order	O002486
Approves	<i>P.SAWA</i>	Date	06/06/2025

ROMM_CONVECT_DBD20_1-200X570X760

Colour

04.69=PB-E1 4'X8'T LAMINATE WILMIKA TEXT NO. W3125-16
04.691=ALVIC LUMAX-SPP/4'X10'X18MM.-BLANCO SUPPERMATT(LX8
04.692=PB-E1 4'X9'T. LAMINA WILMIKA TEXT NO. W3125-16
04.693=HPL WILMIKA NO. W3125-16/HPL.TD#9201 PL

Edge

01.405=1 DWK3125AT
01.4051=1 WHITE 01016

K5R 160152669

K6L 160160455

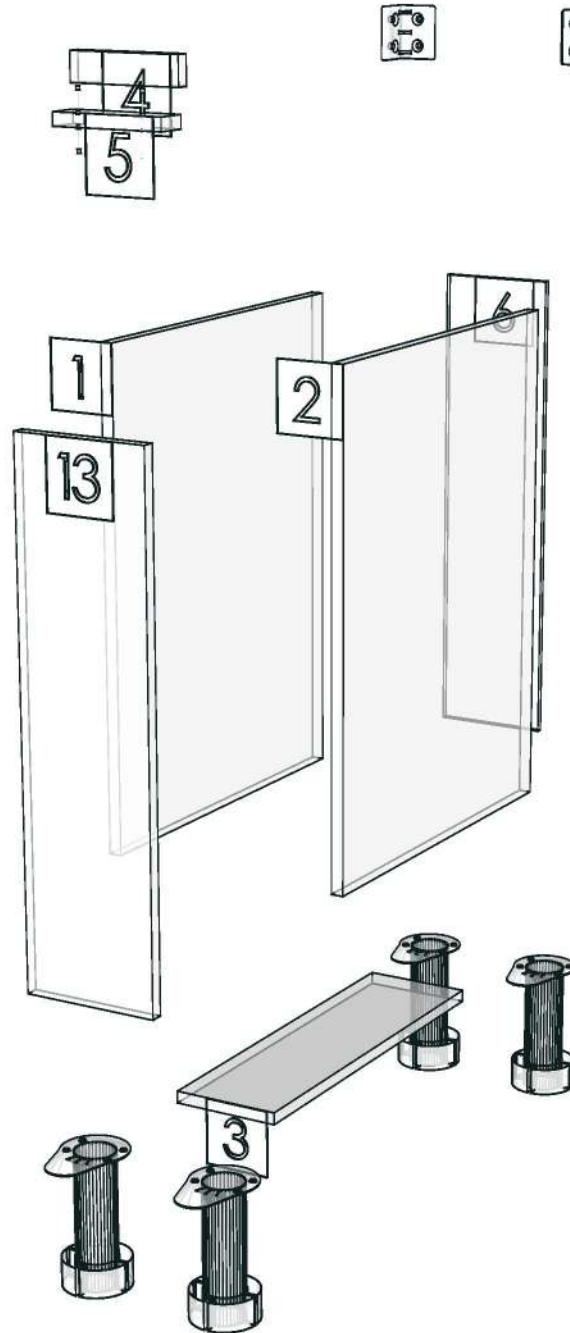
K13L 160161368

K18R 160161391



R&D REVIEW	
<input checked="" type="checkbox"/>	DWG.Customer
<input type="checkbox"/>	Work Report
<input type="checkbox"/>	Function
<input type="checkbox"/>	สินค้าตรงตัวอย่าง
ผู้ทบทวน <u>P.SAWA</u>	
<u>31 / 7 / 68</u>	

Model	-ROMM_CONVECT_DBD20_1		
Creator	SUTTHI.P	.BCP Name	INDEX_C3D_KITCHENPAE
Reviewer		Order	O002486
Approves	<i>P. SAWA</i>	Date	06/06/2025



Model	ROMM_CONVECT_DBH601_1		
Creator	SUTTHI.P	.BCP Name	INDEX_C3D_KITCHENPAE
Reviewer		Order	O002488
Approves	<i>P. SAWA</i>	Date	06/06/2025

ROMM_CONVECT_DBH601_1-600X570X730

Colour

04.69=PB-E1 4'X8'T LAMINATE WILMIKA TEXT NO. W3125-16
 04.691=ALVIC LUMAX-SPP/4'X10'X18MM.-BLANCO SUPPERMATT(LX8)
 04.692=PB-E1 4'X9'T. LAMINA WILMIKA TEXT NO. W3125-16
 04.693=HPL WILMIKA NO. W3125-16/HPL.TD#9201 PL

Edge

01.405=1 DWK3125AT
 01.4051=1 WHITE 01016

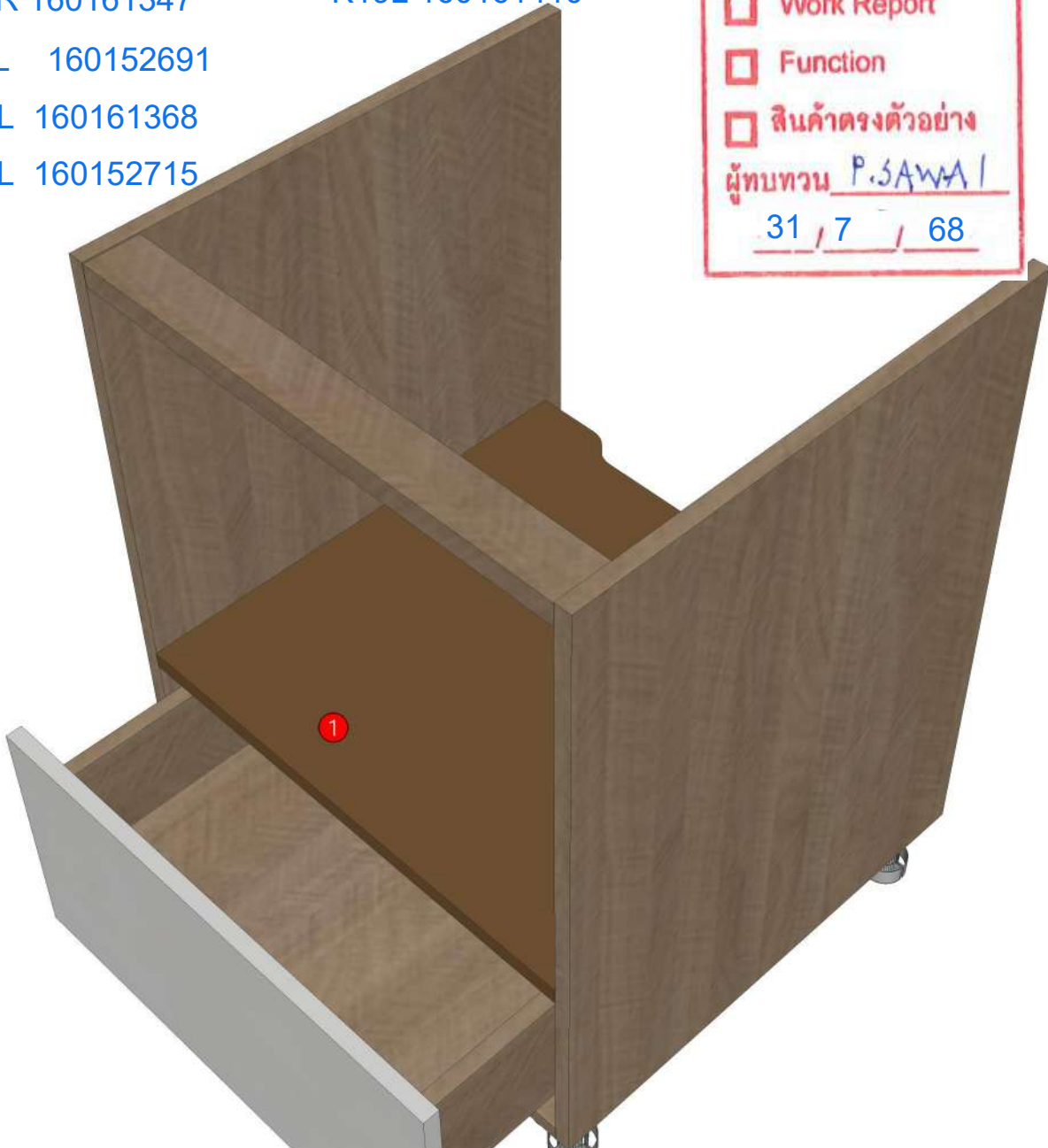
- K5R 160152669 K15R 160152736
- K6L 160160455 K18R 160161391
- K10R 160161347 K19L 160161410
- K11L 160152691
- K13L 160161368
- K14L 160152715

R&D REVIEW

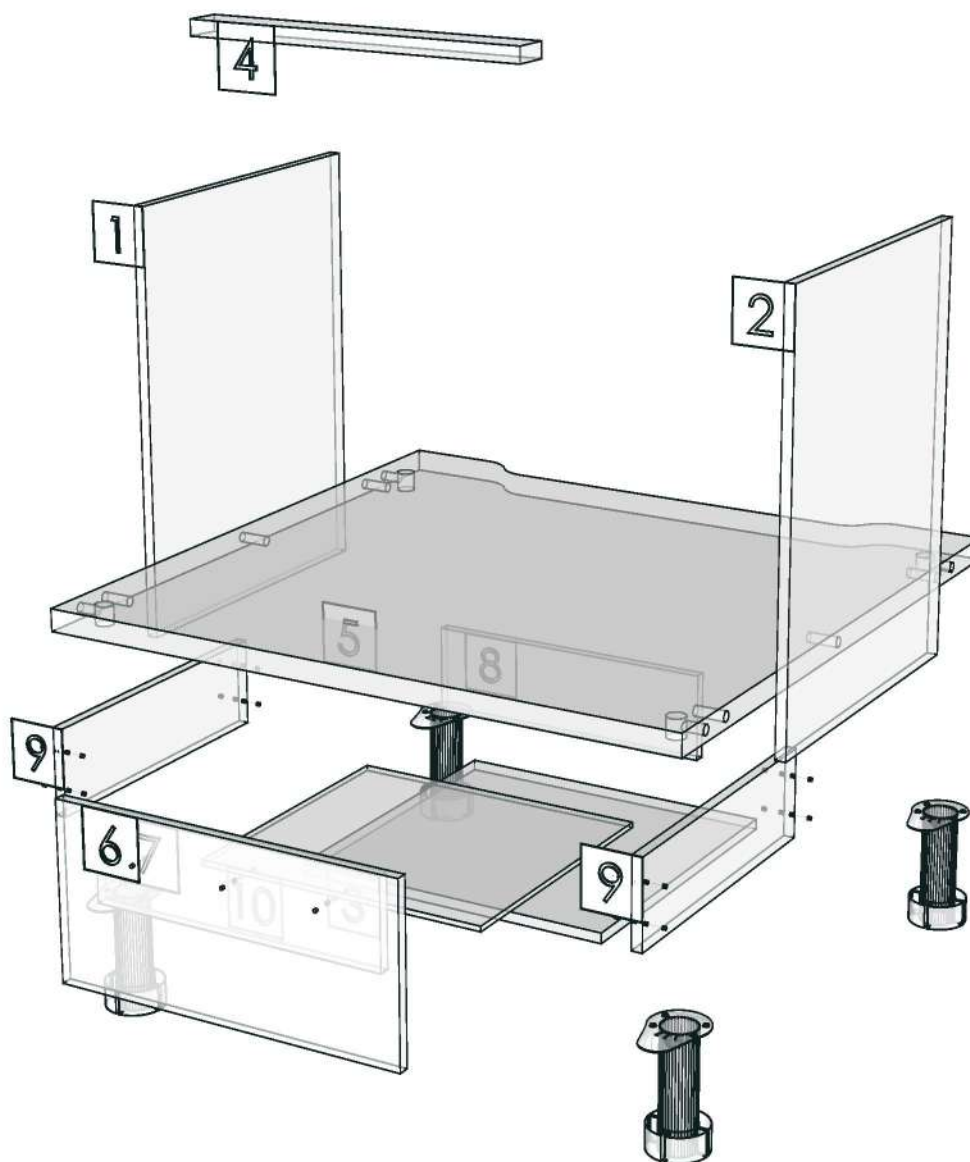
- DWG.Customer
- Work Report
- Function
- สินค้าตรงตัวอย่าง

ผู้ทบทวน P.SAWA

31 / 7 / 68



Model	-ROMM_CONVECT_DBH601_1		
Creator	SUTTHI.P	.BCP Name	INDEX_C3D_KITCHENPAE
Reviewer		Order	O002488
Approves	<i>P. SAWA</i>	Date	06/06/2025



Model	ROMM_CONVECT_DBS90R_1		
Creator	SUTTHI.P	.BCP Name	INDEX_C3D_KITCHENPAE
Reviewer		Order	O002498
Approves	<i>P. SAWA</i>	Date	09/06/2025

ROMM_CONVECT_DBS90R_1-900X570X830

Colour

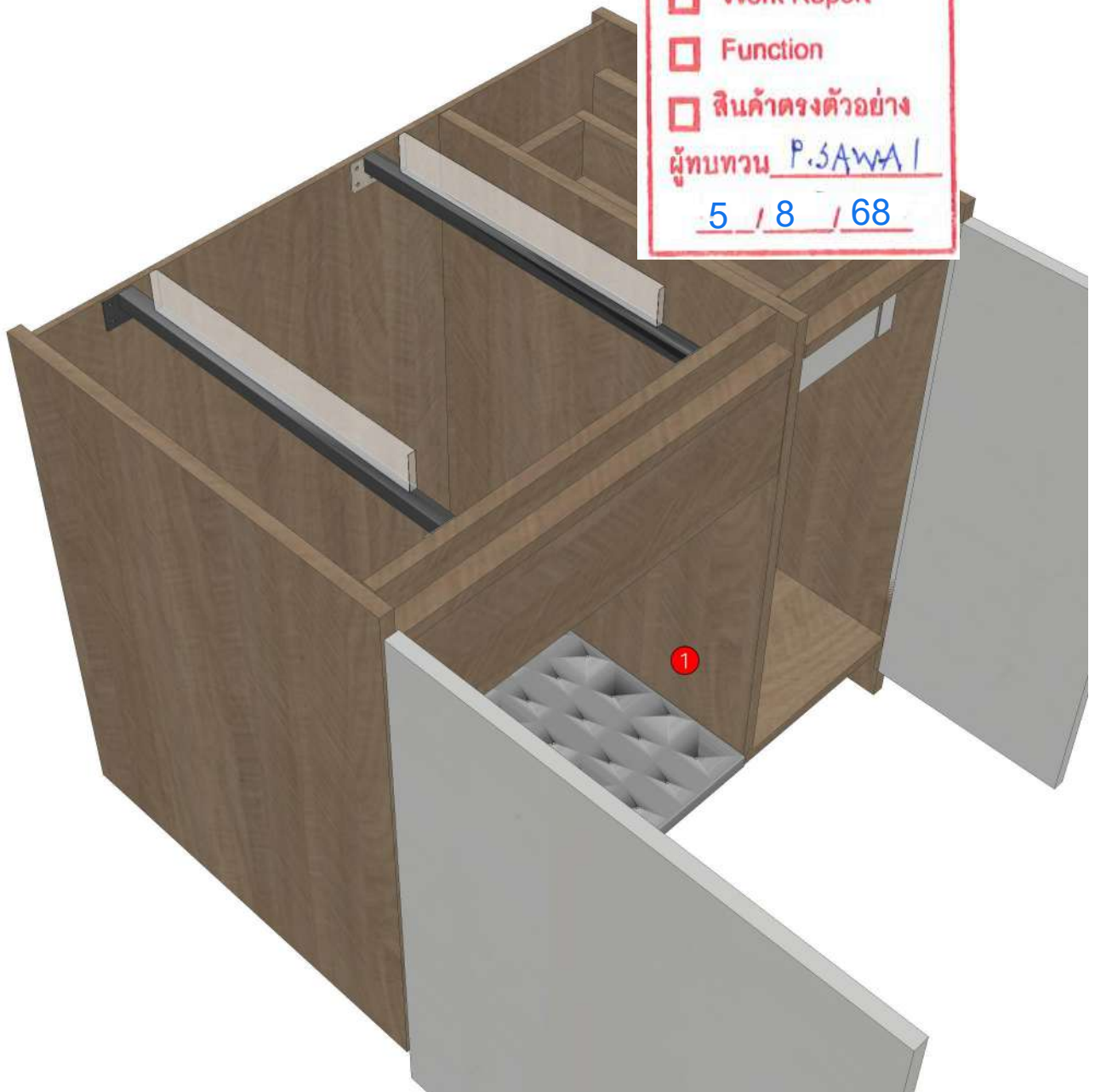
04.69=PB-E1 4'X8'T LAMINATE WILMIKA TEXT NO. W3125-16
04.691=ALVIC LUMAX-SPP/4'X10'X18MM.-BLANCO SUPPERMATT(LX8)
04.692=PB-E1 4'X9'T. LAMINA WILMIKA TEXT NO. W3125-16
04.693=HPL WILMIKA NO. W3125-16/HPL.TD#9201 PL

Edge

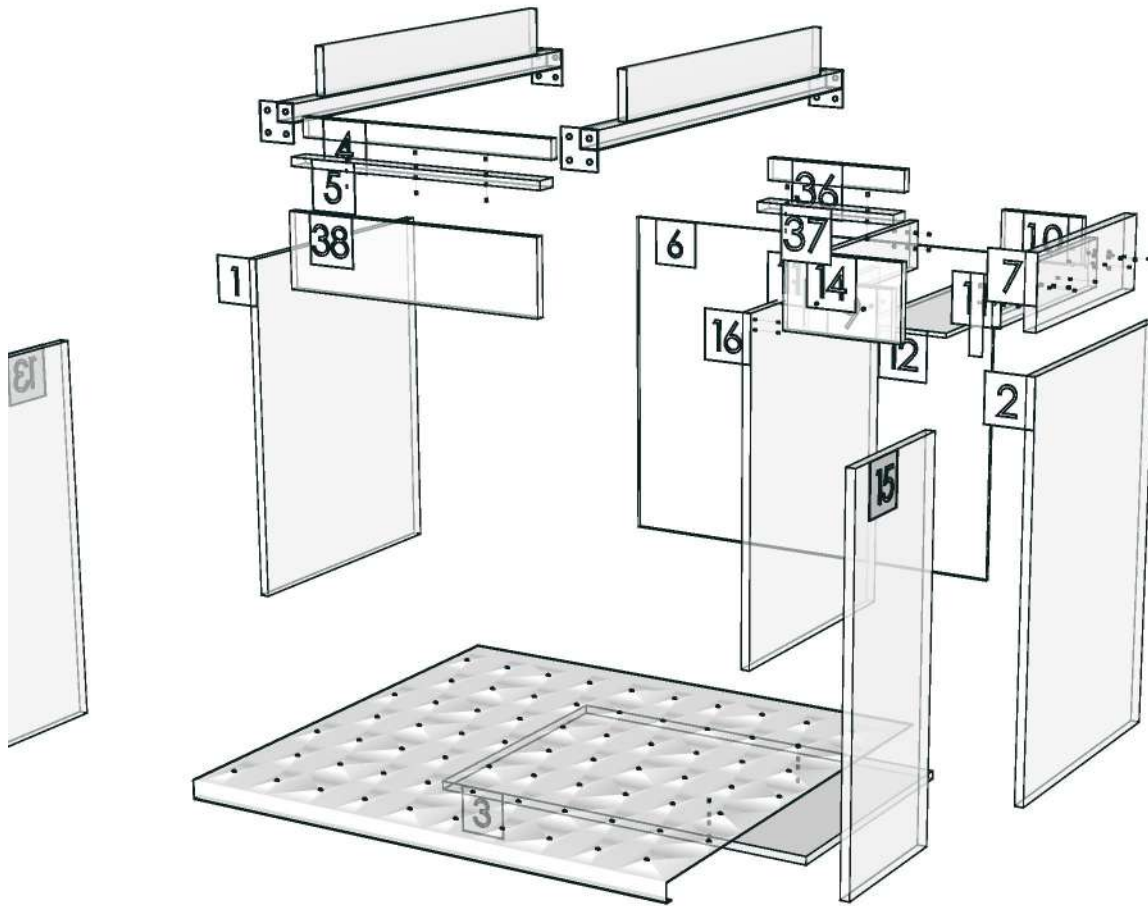
01.405=1 DWK3125AT
01.4051=1 WHITE 01016

K5R 160152669

R&D REVIEW	
<input checked="" type="checkbox"/>	DWG.Customer
<input type="checkbox"/>	Work Report
<input type="checkbox"/>	Function
<input type="checkbox"/>	สินค้าตรงตัวอย่าง
ผู้ทบทวน <u>P.SAWA</u>	
<u>5 / 8 / 68</u>	



Model	-ROMM_CONVECT_DBS90R_1		
Creator	SUTTHI.P	.BCP Name	INDEX_C3D_KITCHENPAE
Reviewer		Order	O002498
Approves	<i>P. SAWA</i>	Date	09/06/2025



Model	ROMM_CONVECT_DDM_1100_1		
Creator	SUTTHI.P	.BCP Name	INDEX_C3D_KITCHENPAE
Reviewer		Order	0002569
Approves	P. SAWA	Date	12/06/2025

ROMM_CONVECT_DDM_1100_1-1100X18X135

Colour

04.69=PB-E1 4'X8'T LAMINATE WILMIKA TEXT NO. W3125-16
04.691=ALVIC LUMAX-SPP/4'X10'X18MM.-BLANCO SUPPERMATT(LX8
04.692=PB-E1 4'X9'T. LAMINA WILMIKA TEXT NO. W3125-16
04.693=HPL WILMIKA NO. W3125-16/HPL.TD#9201 PL

Edge

01.405=1 DWK3125AT
01.4051=1 WHITE 01016

K5R 160152669

R&D REVIEW	
<input checked="" type="checkbox"/>	DWG.Customer
<input type="checkbox"/>	Work Report
<input type="checkbox"/>	Function
<input type="checkbox"/>	สินค้าตรงตัวอย่าง
ผู้ทบทวน <u>P.SAWA</u>	
<u>5</u> / <u>8</u> / <u>68</u>	



Model	-ROMM_CONVECT_DDM_1100_1		
Creator	SUTTHI.P	.BCP Name	INDEX_C3D_KITCHENPAE
Reviewer		Order	0002569
Approves	<i>P. SAWA</i>	Date	12/06/2025



Model	ROMM_CONVECT_DDM_2285_9_1		
Creator	SUTTHI.P	.BCP Name	INDEX_C3D_KITCHENPAE
Reviewer		Order	0002665
Approves	P.SAWA	Date	22/07/2025

ROMM_CONVECT_DDM_2285_9_1-2285X9X365

Colour

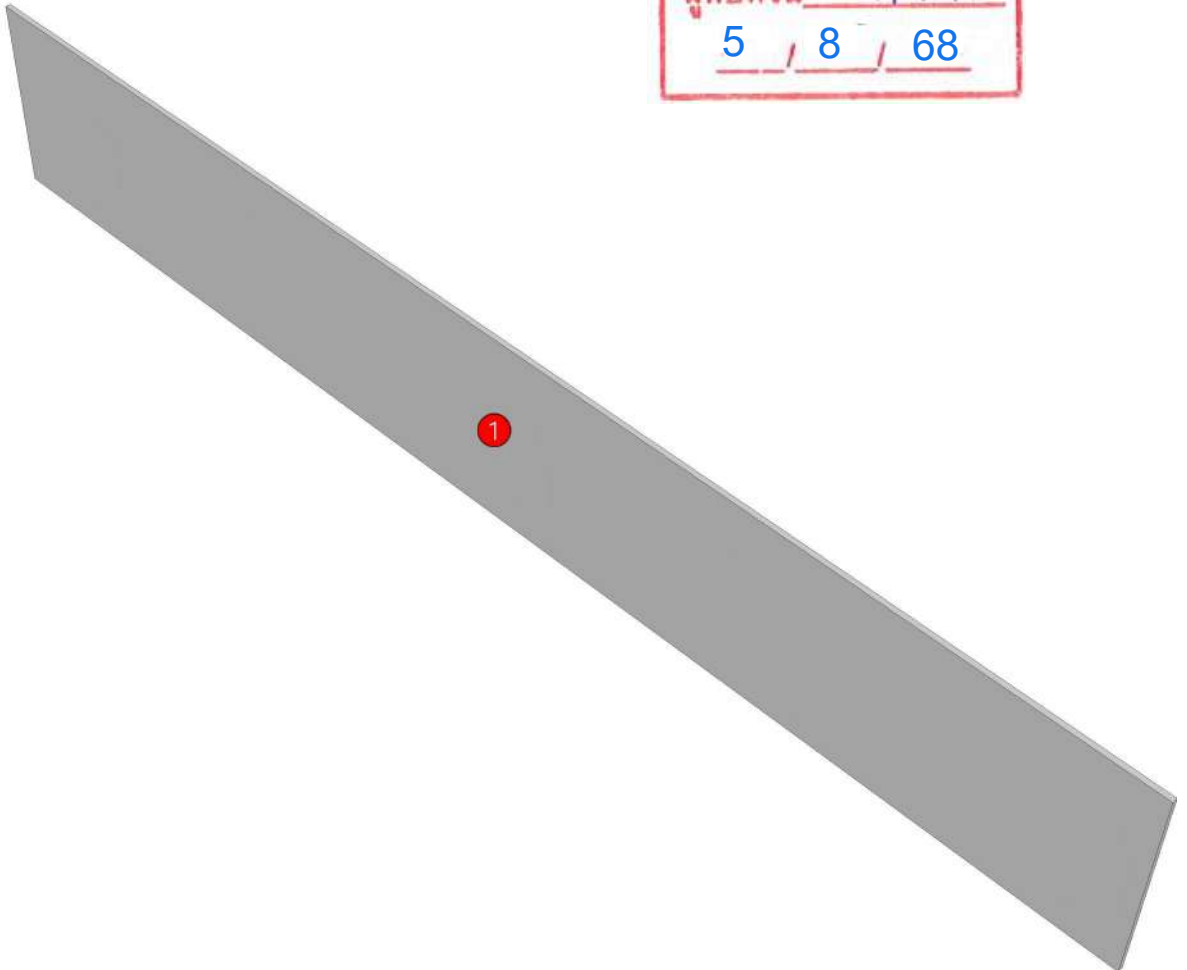
04.69=PB-E1 4'X8'T LAMINATE WILMIKA TEXT NO. W3125-16
04.691=ALVIC LUMAX-SPP/4'X10'X18MM.-BLANCO SUPPERMATT(LX8
05.01=ML WHITE VM1012 18/18

Edge

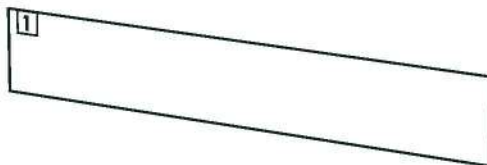
01.405=1 DWK3125AT
01.4051=1 WHITE 01016

K5R 160152669

R&D REVIEW	
<input checked="" type="checkbox"/>	DWG.Customer
<input type="checkbox"/>	Work Report
<input type="checkbox"/>	Function
<input type="checkbox"/>	สินค้าตรงตัวอย่าง
ผู้ทบทวน <u>P.SAWA</u>	
<u>5</u> / <u>8</u> / <u>68</u>	



Model	-ROMM_CONVECT_DDM_2285_9_1		
Creator	SUTTHI.P	.BCP Name	INDEX_C3D_KITCHENPAE
Reviewer		Order	0002665
Approves	<i>P. SAWA</i>	Date	22/07/2025



Model	ROMM_CONVECT_DDM_2305_6_1		
Creator	SUTTHI.P	.BCP Name	INDEX_C3D_KITCHENPAE
Reviewer		Order	O002594
Approves	P.SAWA	Date	09/07/2025

ROMM_CONVECT_DDM_2305_6_1-2305X6X365

Colour

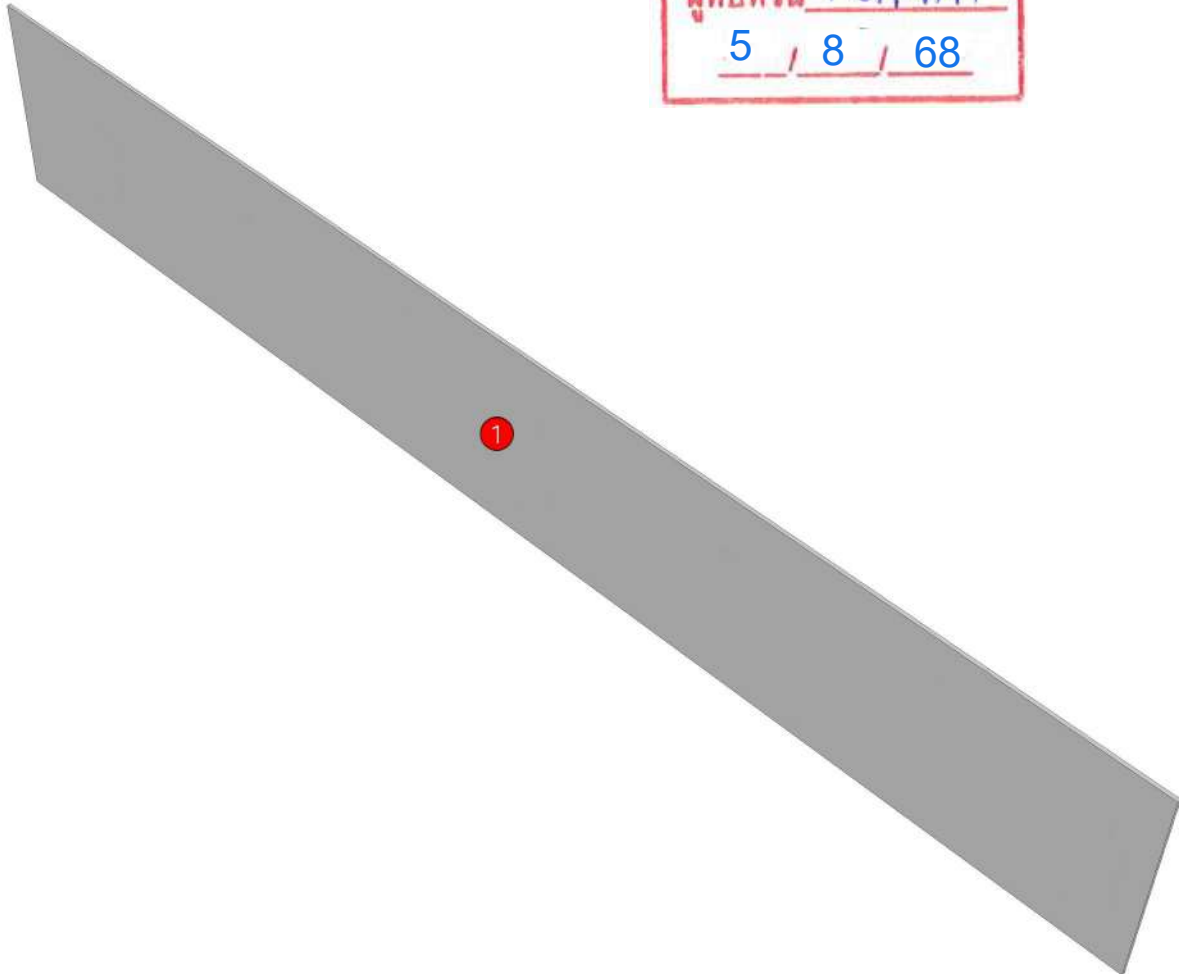
04.69=PB-E1 4'X8'T LAMINATE WILMIKA TEXT NO. W3125-16
04.691=ALVIC LUMAX-SPP/4'X10'X18MM.-BLANCO SUPPERMATT(LX8
03.13=PVC WHITE#630 T0.15MM.

Edge

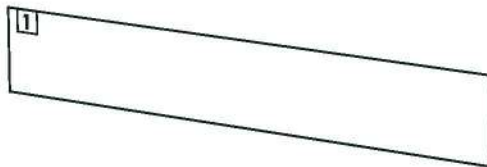
01.405=1 DWK3125AT
01.4051=1 WHITE 01016

K5R 160152669

R&D REVIEW	
<input checked="" type="checkbox"/>	DWG.Customer
<input type="checkbox"/>	Work Report
<input type="checkbox"/>	Function
<input type="checkbox"/>	สินค้าตรงตัวอย่าง
ผู้ทบทวน P.SAWA /	
5 / 8 / 68	



Model	-ROMM_CONVECT_DDM_2305_6_1		
Creator	SUTTHI.P	.BCP Name	INDEX_C3D_KITCHENPAE
Reviewer		Order	O002594
Approves	P. SAWA	Date	09/07/2025



Model	ROMM_CONVECT_DDM_605_1		
Creator	SUTTHI.P	.BCP Name	INDEX_C3D_KITCHENPAE
Reviewer		Order	O002598
Approves	<i>P. SAWA</i>	Date	09/07/2025

ROMM_CONVECT_DDM_605_1-605X18X135

Colour

04.69=PB-E1 4'X8'T LAMINATE WILMIKA TEXT NO. W3125-16
04.691=ALVIC LUMAX-SPP/4'X10'X18MM.-BLANCO SUPPERMATT(LX8)

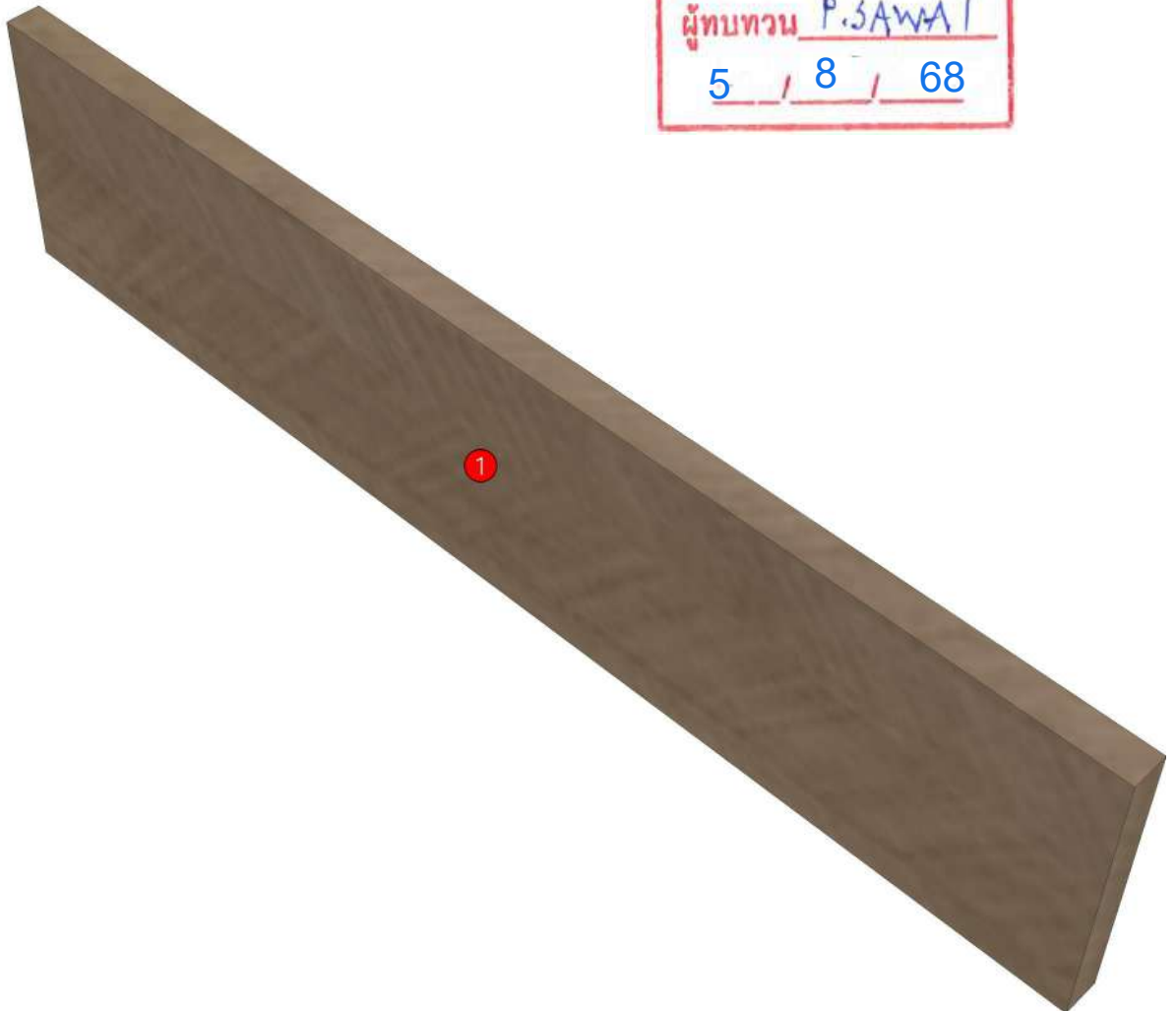
Edge

01.405=1 DWK3125AT
01.4051=1 WHITE 01016

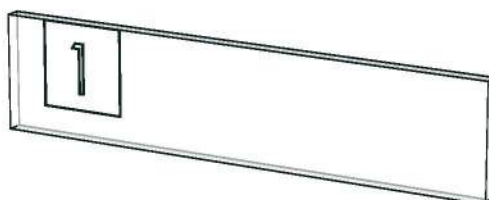
K1R 160160423

K5R 160152669

R&D REVIEW	
<input checked="" type="checkbox"/>	DWG.Customer
<input type="checkbox"/>	Work Report
<input type="checkbox"/>	Function
<input type="checkbox"/>	สินค้าตรงตัวอย่าง
ผู้ทบทวน <u>P.SAWA</u>	
5 / 8 / 68	



Model	-ROMM_CONVECT_DDM_605_1		
Creator	SUTTHI.P	.BCP Name	INDEX_C3D_KITCHENPAE
Reviewer		Order	0002598
Approves	<i>P. SAWA</i>	Date	09/07/2025



Model	ROMM_CONVECT_DEP_2120_1		
Creator	SUTTHI.P	.BCP Name	INDEX_C3D_KITCHENPAE
Reviewer		Order	0002608
Approves	P. SAWA	Date	09/07/2025

ROMM_CONVECT_DEP_2120_1-2120X18X860

Colour

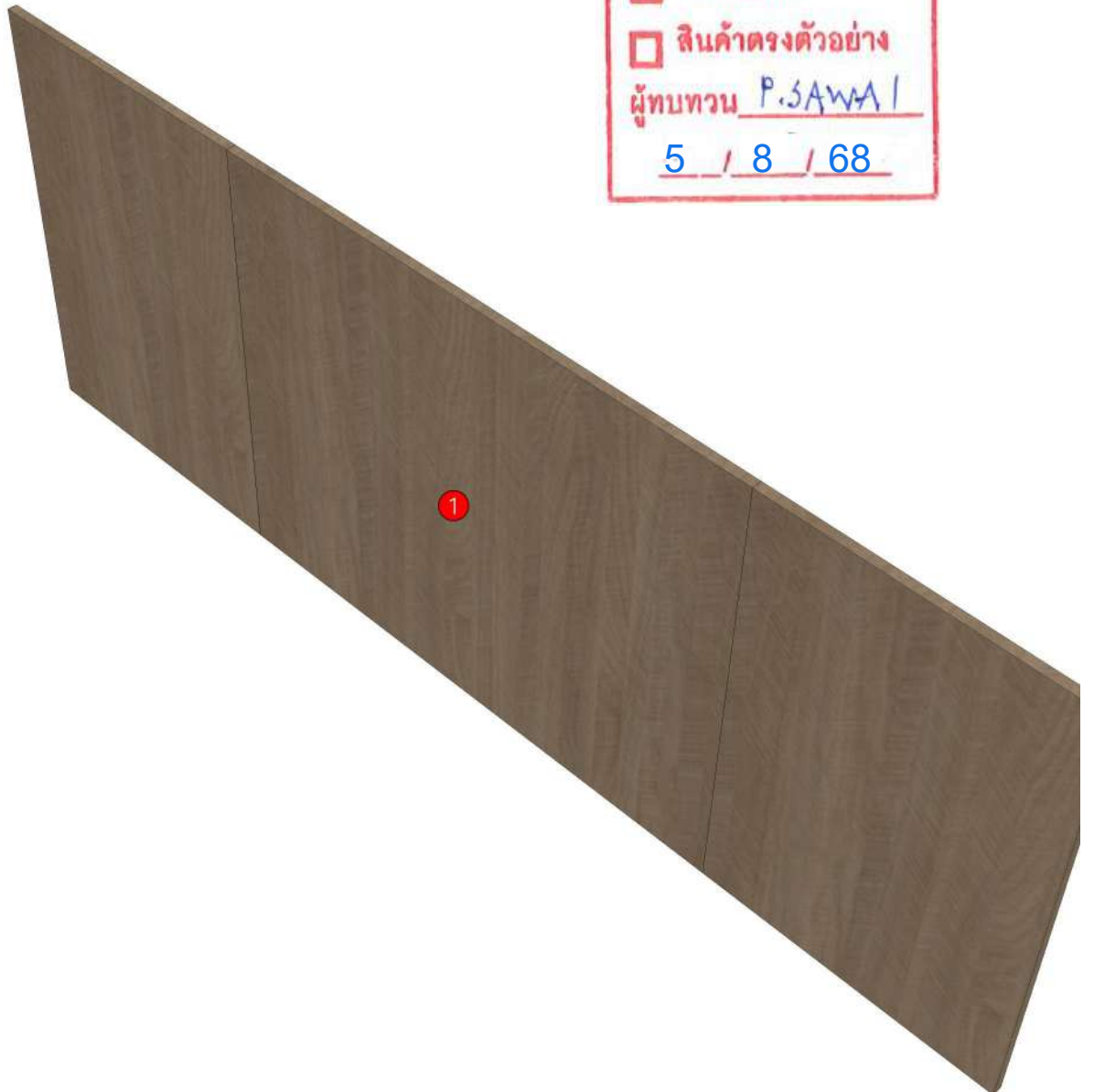
04.69=PB-E1 4'X8'T LAMINATE WILMIKA TEXT NO. W3125-16
04.691=ALVIC LUMAX-SPP/4'X10'X18MM.-BLANCO SUPPERMATT(LX8
04.692=PB-E1 4'X9'T. LAMINA WILMIKA TEXT NO. W3125-16
04.693=HPL WILMIKA NO. W3125-16/HPL.TD#9201 PL

Edge

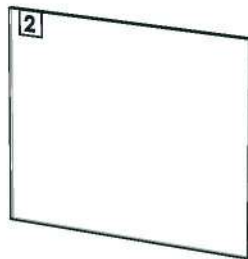
01.405=1 DWK3125AT
01.4051=1 WHITE 01016

K5R 160152669

R&D REVIEW	
<input checked="" type="checkbox"/>	DWG.Customer
<input type="checkbox"/>	Work Report
<input type="checkbox"/>	Function
<input type="checkbox"/>	สินค้าตรงตัวอย่าง
ผู้ทบทวน <u>P.SAWA</u>	
<u>5 / 8 / 68</u>	



Model	-ROMM_CONVECT_DEP_2120_1		
Creator	SUTTHI.P	.BCP Name	INDEX_C3D_KITCHENPAE
Reviewer		Order	0002608
Approves	<i>P. SAWA</i>	Date	09/07/2025



Model	ROMM_CONVECT_DEP_700I_1		
Creator	SUTTHI.P	.BCP Name	INDEX_C3D_KITCHENPAE
Reviewer		Order	O002613
Approves	<i>P.SAWA</i>	Date	09/07/2025

ROMM_CONVECT_DEP_700I_1-700X12X860

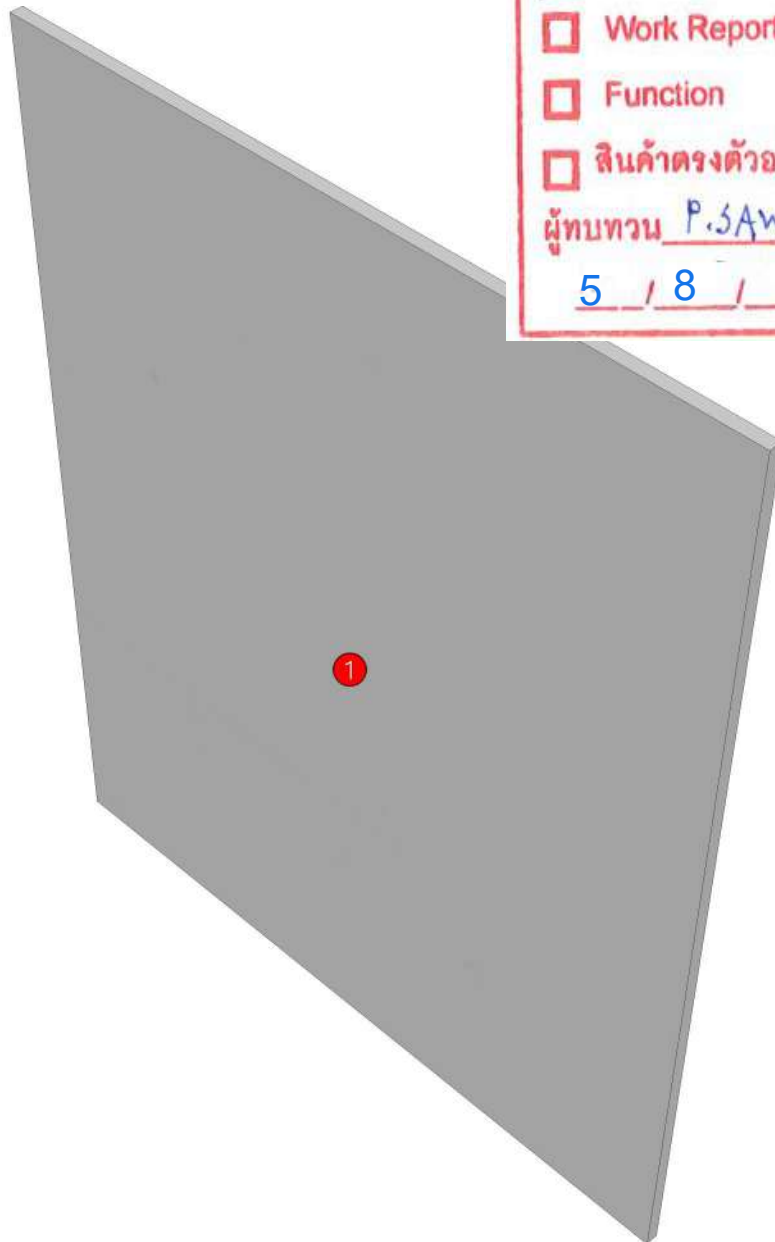
Colour

04.69=PB-E1 4'X8'T LAMINATE WILMIKA TEXT NO. W3125-16
04.691=ALVIC LUMAX-SPP/4'X10'X18MM.-BLANCO SUPPERMATT(LX8
05.01=ML WHITE VM1012 18/18

Edge

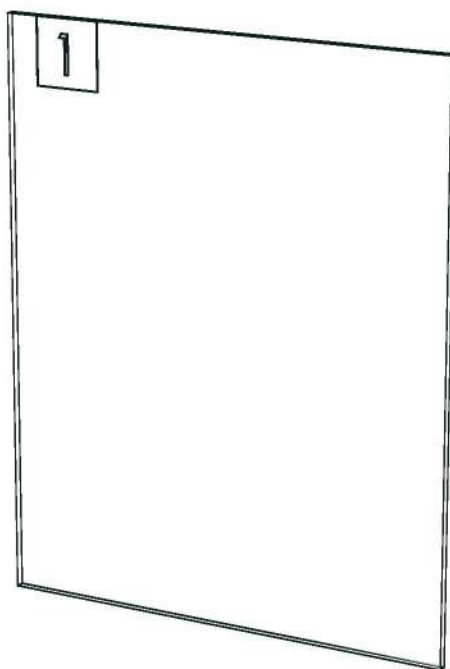
01.405=1 DWK3125AT
01.4051=1 WHITE 01016
01.47=1 WHITE

K5R 160152669



R&D REVIEW	
<input checked="" type="checkbox"/>	DWG.Customer
<input type="checkbox"/>	Work Report
<input type="checkbox"/>	Function
<input type="checkbox"/>	สินค้าตรงตัวอย่าง
ผู้ทบทวน <u>P.SAWA</u>	
<u>5</u> / <u>8</u> / <u>68</u>	

Model	-ROMM_CONVECT_DEP_700I_1		
Creator	SUTTHI.P	.BCP Name	INDEX_C3D_KITCHENPAE
Reviewer		Order	0002613
Approves	P. SAWA	Date	09/07/2025



Model	ROMM_CONVECT_DFCL_2305_1		
Creator	SUTTHI.P	.BCP Name	INDEX_C3D_KITCHENPAE
Reviewer		Order	0002622
Approves	P. SAWA	Date	09/07/2025

ROMM_CONVECT_DFCL_2305_1-2305X9X100

Colour

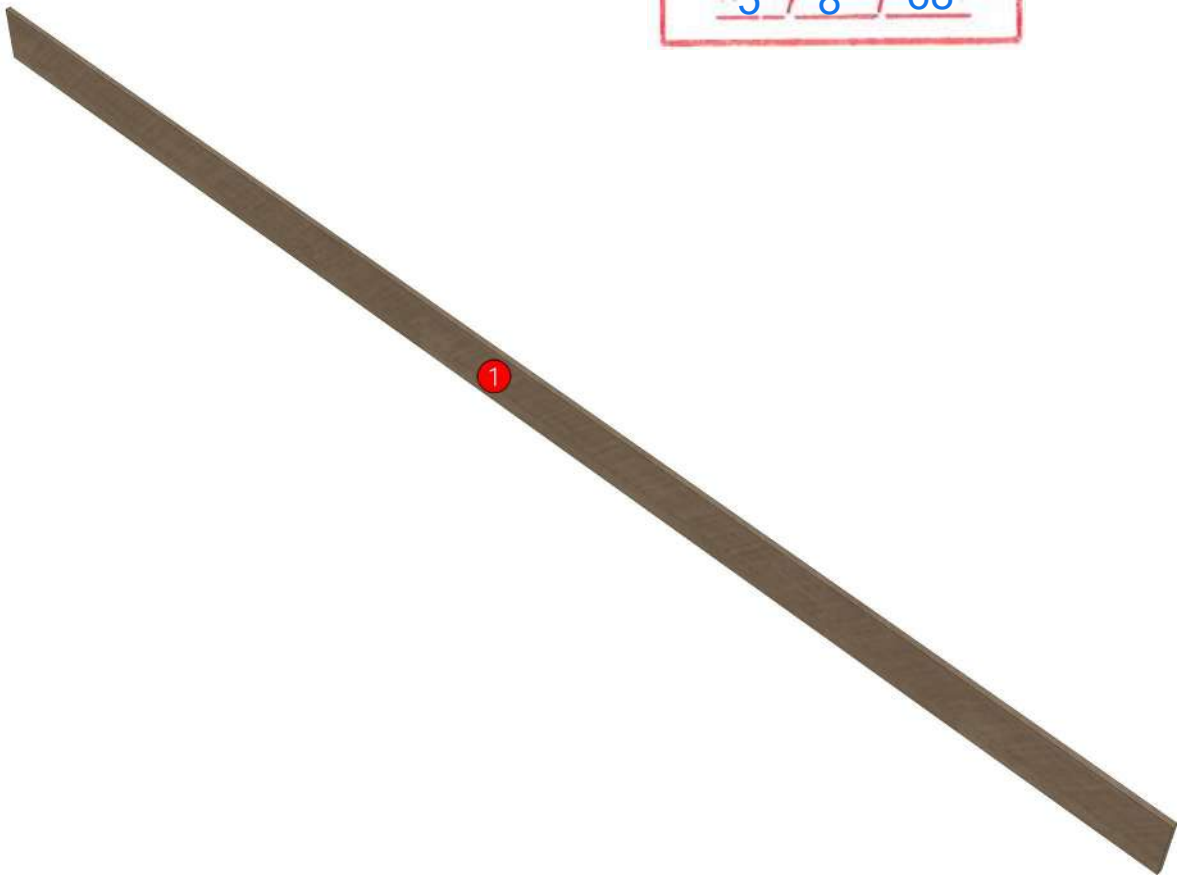
04.69=PB-E1 4'X8'T LAMINATE WILMIKA TEXT NO. W3125-16
04.691=ALVIC LUMAX-SPP/4'X10'X18MM.-BLANCO SUPPERMATT(LX8)

Edge

01.405=1 DWK3125AT
01.4051=1 WHITE 01016

K5R 160152669

R&D REVIEW	
<input checked="" type="checkbox"/>	DWG.Customer
<input type="checkbox"/>	Work Report
<input type="checkbox"/>	Function
<input type="checkbox"/>	สินค้าตรงตัวอย่าง
ผู้ทบทวน <u>P.SAWA</u>	
<u>5 / 8 / 68</u>	



Model	-ROMM_CONVECT_DFCL_2305_1		
Creator	SUTTHI.P	.BCP Name	INDEX_C3D_KITCHENPAE
Reviewer		Order	0002622
Approves	P. SAWA	Date	09/07/2025



Model	ROMM_CONVECT_DFCL_330_1		
Creator	SUTTHI.P	.BCP Name	INDEX_C3D_KITCHENPAE
Reviewer		Order	O002624
Approves	P. SAWA	Date	09/07/2025

ROMM_CONVECT_DFCL_330_1-330X9X100

Colour

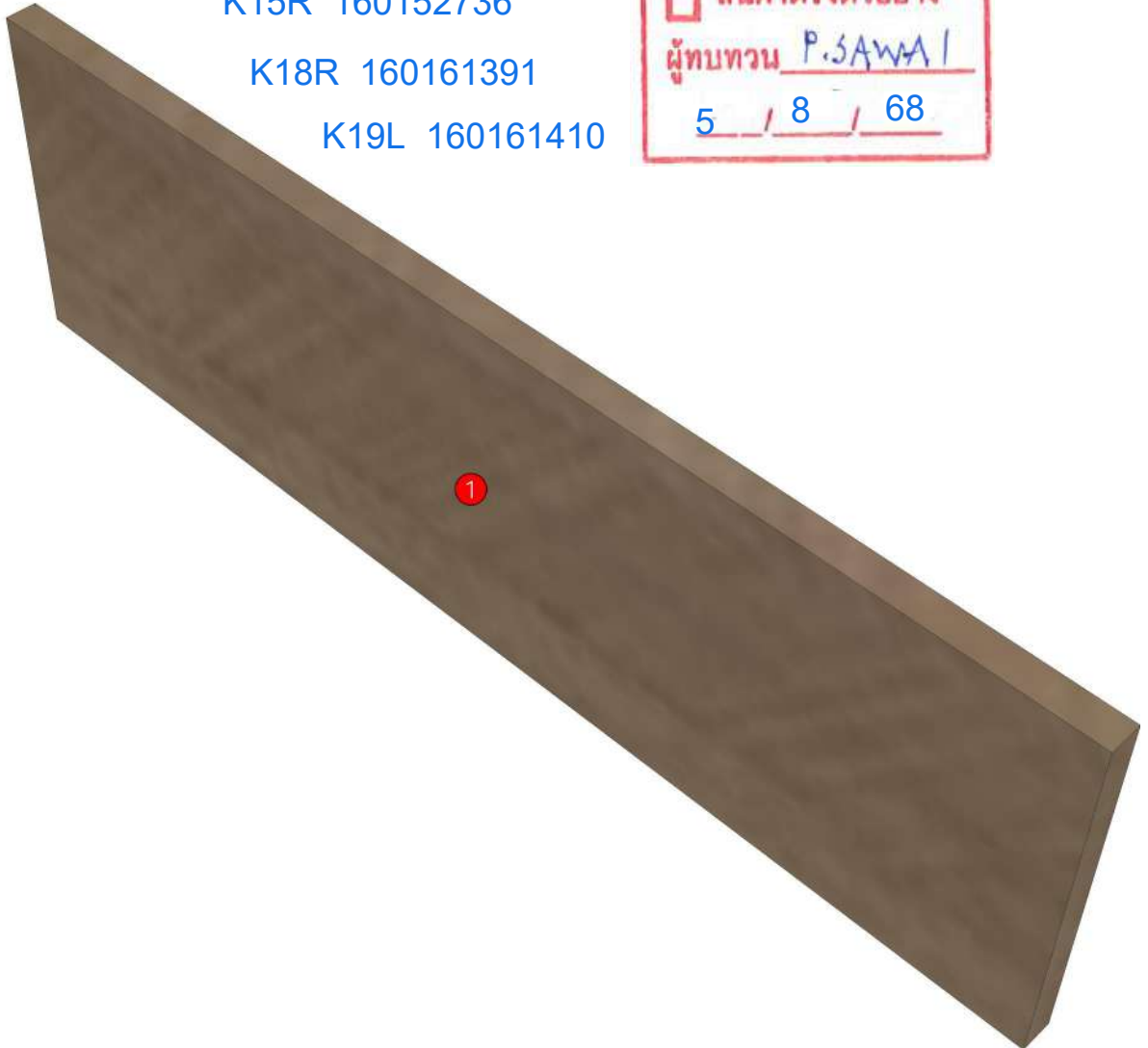
04.69=PB-E1 4'X8'T LAMINATE WILMIKA TEXT NO. W3125-16
04.691=ALVIC LUMAX-SPP/4'X10'X18MM.-BLANCO SUPPERMATT(LX8)

Edge

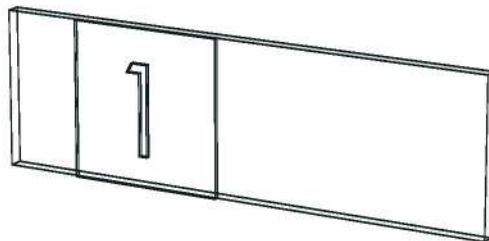
01.405=1 DWK3125AT
01.4051=1 WHITE 01016

K1R 160160423 K6L 160160455
K3R 160161323 K10R 160161347
K4L 160166148 K13L 160161368
K5R 160152669 K14L 160152715
K15R 160152736
K18R 160161391
K19L 160161410

R&D REVIEW	
<input checked="" type="checkbox"/>	DWG.Customer
<input type="checkbox"/>	Work Report
<input type="checkbox"/>	Function
<input type="checkbox"/>	สินค้าตรงตัวอย่าง
ผู้ทบทวน <u>P.SAWA</u>	
5 / 8 / 68	



Model	-ROMM_CONVECT_DFCL_330_1		
Creator	SUTTHI.P	.BCP Name	INDEX_C3D_KITCHENPAE
Reviewer		Order	0002624
Approves	<i>P. SAWA</i>	Date	09/07/2025



Model	ROMM_CONVECT_DFCL_700_1		
Creator	SUTTHI.P	.BCP Name	INDEX_C3D_KITCHENPAE
Reviewer		Order	O002625
Approves	P. SAWA	Date	09/07/2025

ROMM_CONVECT_DFCL_700_1-700X9X100

Colour

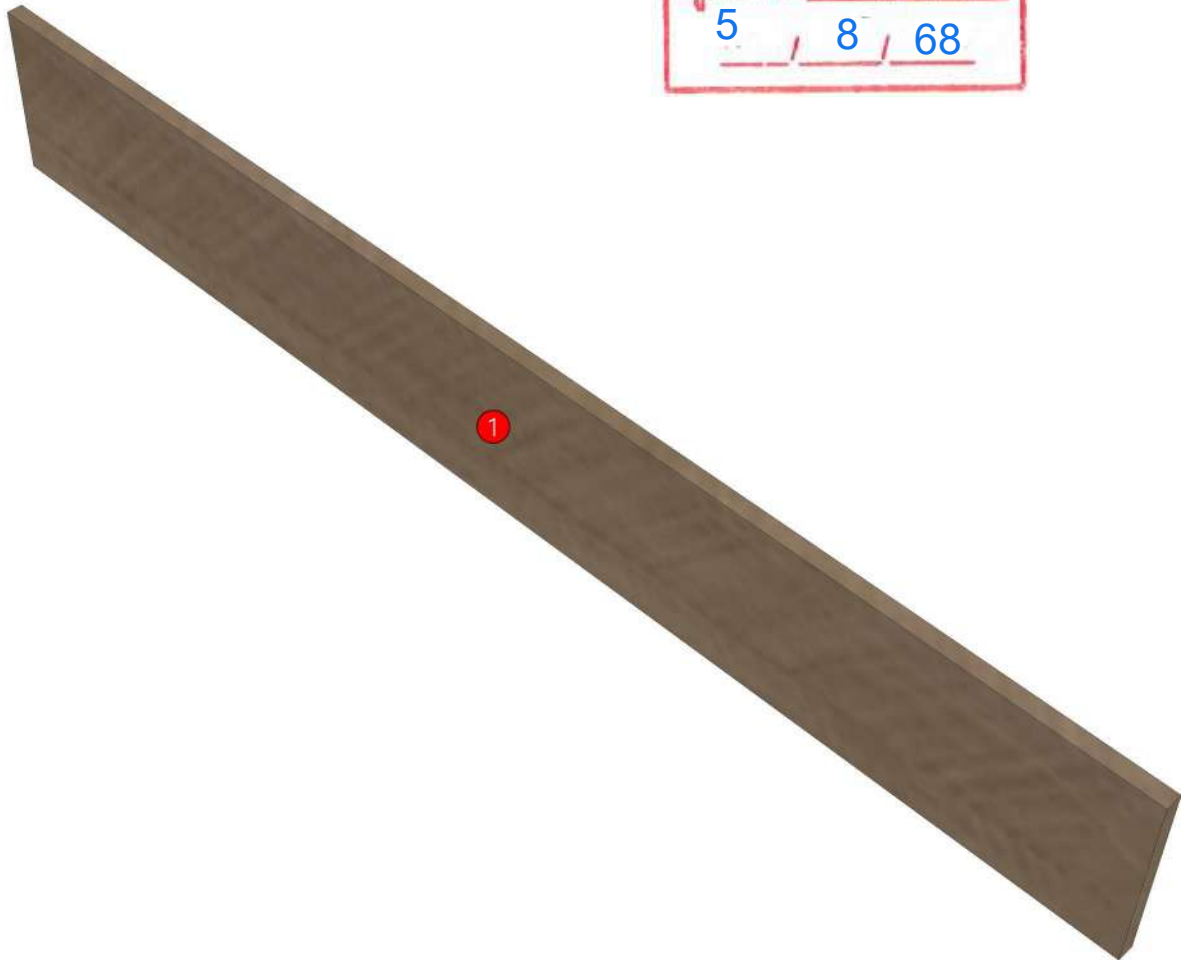
04.69=PB-E1 4'X8'T LAMINATE WILMIKA TEXT NO. W3125-16
04.691=ALVIC LUMAX-SPP/4'X10'X18MM.-BLANCO SUPPERMATT(LX8)

Edge

01.405=1 DWK3125AT
01.4051=1 WHITE 01016

K2R 160160436
K5R 160152669
K11L 160152691

R&D REVIEW	
<input checked="" type="checkbox"/>	DWG.Customer
<input type="checkbox"/>	Work Report
<input type="checkbox"/>	Function
<input type="checkbox"/>	สินค้าตรงตัวอย่าง
ผู้ทบทวน P.SAWA /	
5	8 / 68



Model	-ROMM_CONVECT_DFCL_700_1		
Creator	SUTTHI.P	.BCP Name	INDEX_C3D_KITCHENPAE
Reviewer		Order	0002625
Approves	<i>P. SAWA</i>	Date	09/07/2025



Model	ROMM_CONVECT_DFCL_725_1		
Creator	SUTTHI.P	.BCP Name	INDEX_C3D_KITCHENPAE
Reviewer		Order	0002626
Approves	P. SAWA	Date	09/07/2025

ROMM_CONVECT_DFCL_725_1-725X9X100

Colour

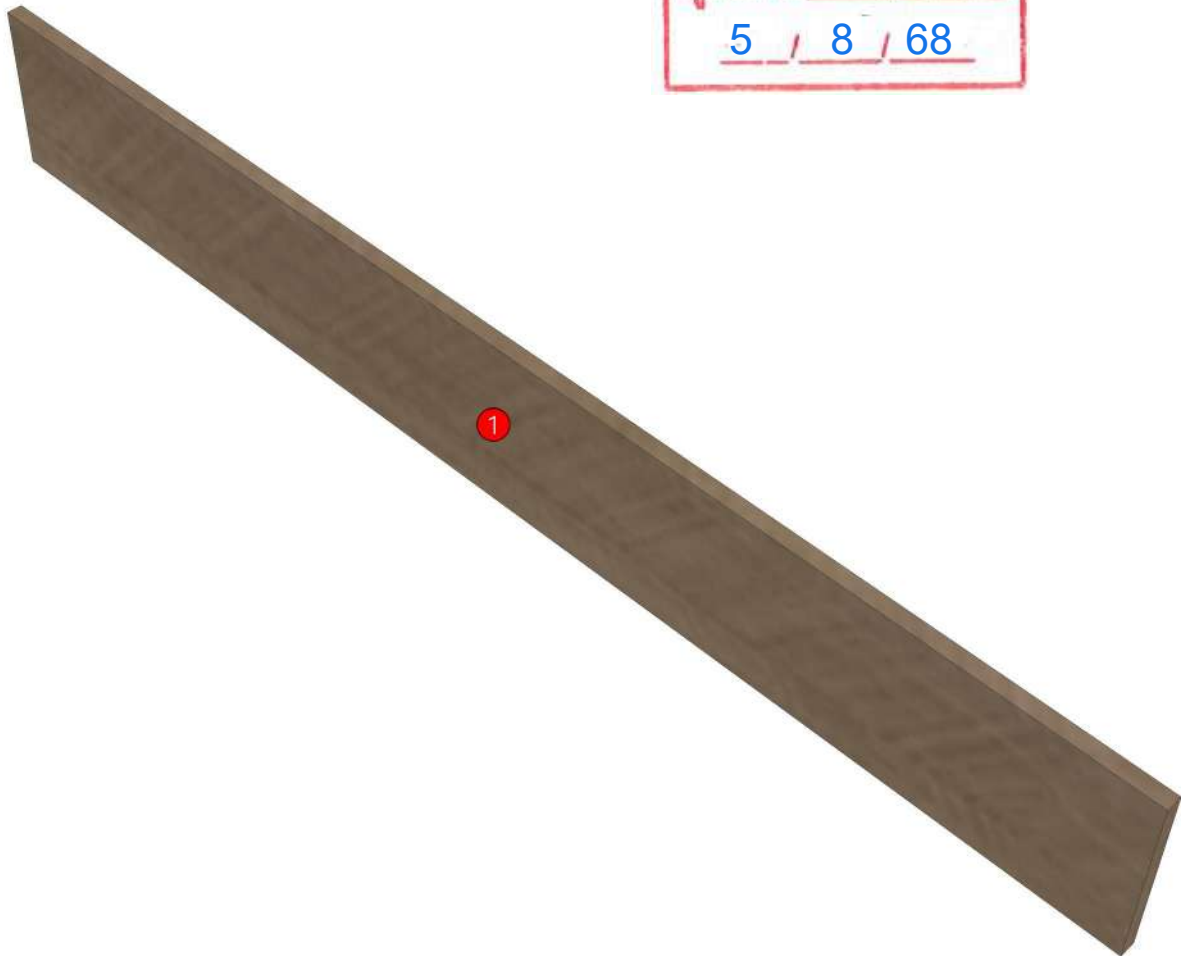
04.69=PB-E1 4'X8'T LAMINATE WILMIKA TEXT NO. W3125-16
04.691=ALVIC LUMAX-SPP/4'X10'X18MM.-BLANCO SUPPERMATT(LX8)

Edge

01.405=1 DWK3125AT
01.4051=1 WHITE 01016

K5R 160152669

R&D REVIEW	
<input checked="" type="checkbox"/>	DWG.Customer
<input type="checkbox"/>	Work Report
<input type="checkbox"/>	Function
<input type="checkbox"/>	สินค้าตรงตัวอย่าง
ผู้ทบทวน P.SAWA	
5 / 8 / 68	



Model	-ROMM_CONVECT_DFCL_725_1		
Creator	SUTTHI.P	.BCP Name	INDEX_C3D_KITCHENPAE
Reviewer		Order	0002626
Approves	P. SAWA	Date	09/07/2025



Model	ROMM_CONVECT_DFCL_850_1		
Creator	SUTTHI.P	.BCP Name	INDEX_C3D_KITCHENPAE
Reviewer		Order	0002628
Approves	P. SAWA	Date	09/07/2025

ROMM_CONVECT_DFCL_850_1-850X9X100

Colour

04.69=PB-E1 4'X8'T LAMINATE WILMIKA TEXT NO. W3125-16
04.691=ALVIC LUMAX-SPP/4'X10'X18MM.-BLANCO SUPPERMATT(LX8)

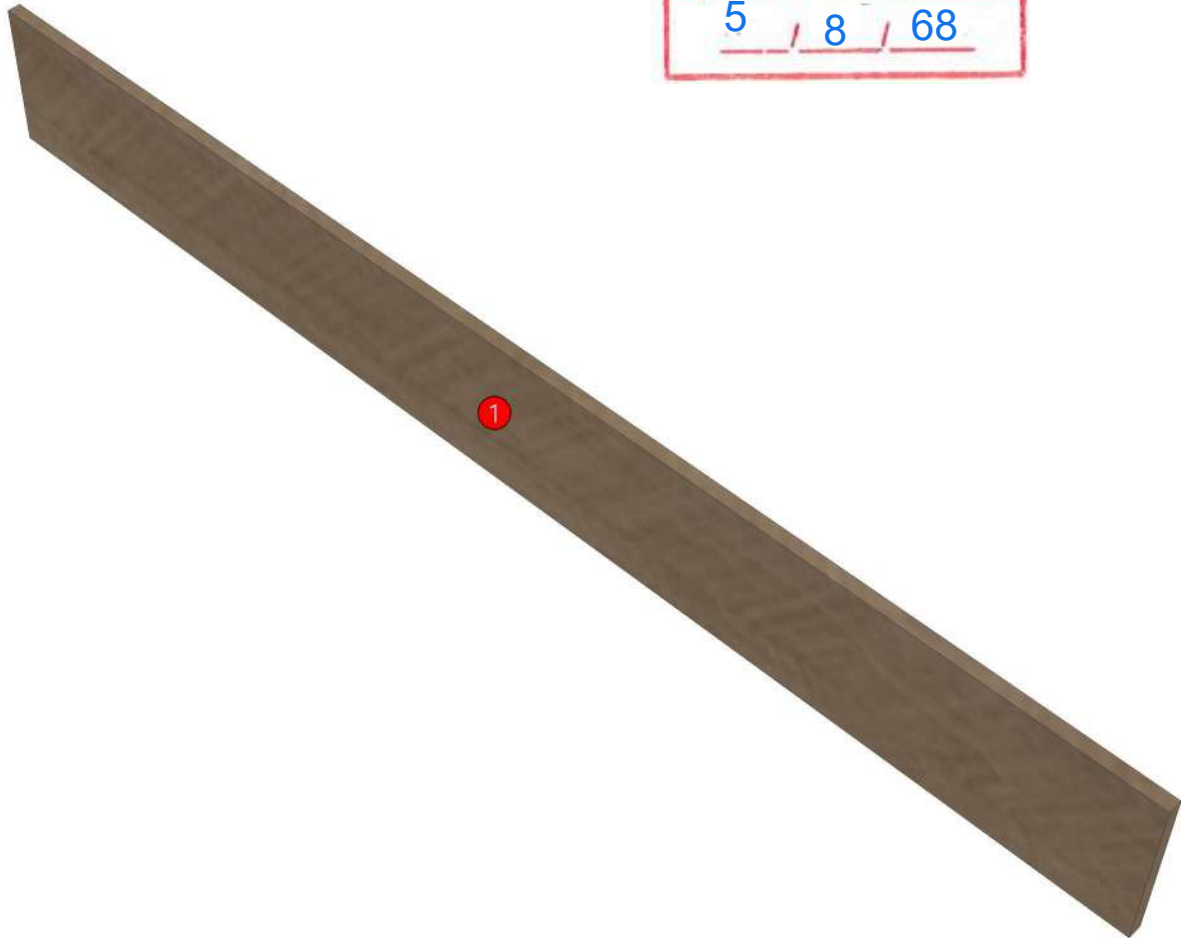
Edge

01.405=1 DWK3125AT
01.4051=1 WHITE 01016

K3R 160161323

K5R 160152669

R&D REVIEW	
<input checked="" type="checkbox"/>	DWG.Customer
<input type="checkbox"/>	Work Report
<input type="checkbox"/>	Function
<input type="checkbox"/>	สินค้าตรงตัวอย่าง
ผู้ทบทวน <u>P.SAWA</u>	
<u>5</u> / <u>8</u> / <u>68</u>	



Model	-ROMM_CONVECT_DFCL_850_1		
Creator	SUTTHI.P	.BCP Name	INDEX_C3D_KITCHENPAE
Reviewer		Order	0002628
Approves	<i>P. SAWA</i>	Date	09/07/2025



Model	ROMM_CONVECT_DL110_1		
Creator	SUTTHI.P	.BCP Name	INDEX_C3D_KITCHENPAE
Reviewer		Order	O002503
Approves	<i>P.SAWA</i>	Date	09/06/2025

ROMM_CONVECT_DL110_1-1100X350X680

Colour

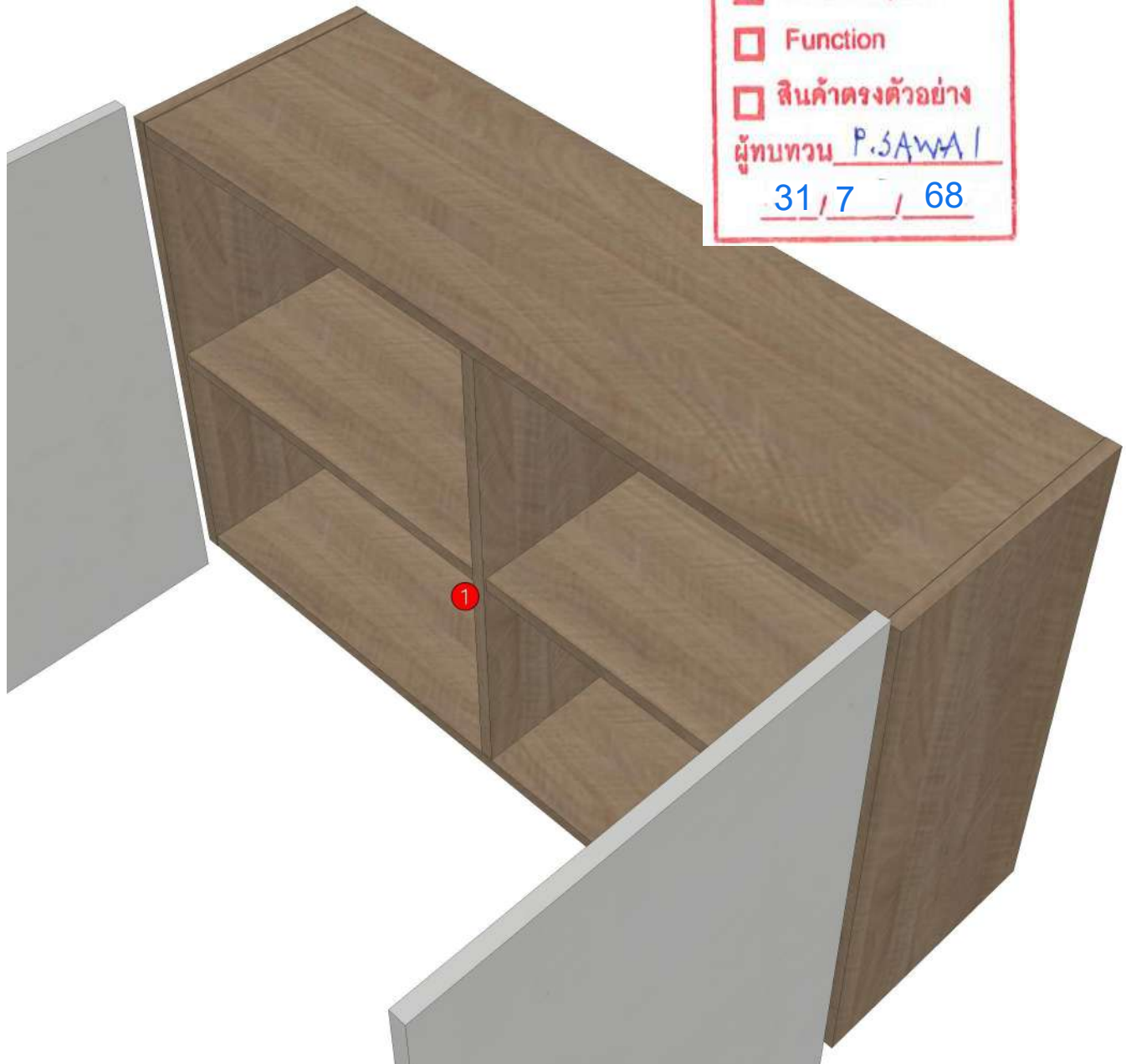
04.69=PB-E1 4'X8'T LAMINATE WILMIKA TEXT NO. W3125-16
04.691=ALVIC LUMAX-SPP/4'X10'X18MM.-BLANCO SUPPERMATT(LX8
04.692=PB-E1 4'X9'T. LAMINA WILMIKA TEXT NO. W3125-16
04.693=HPL WILMIKA NO. W3125-16/HPL.TD#9201 PL

Edge

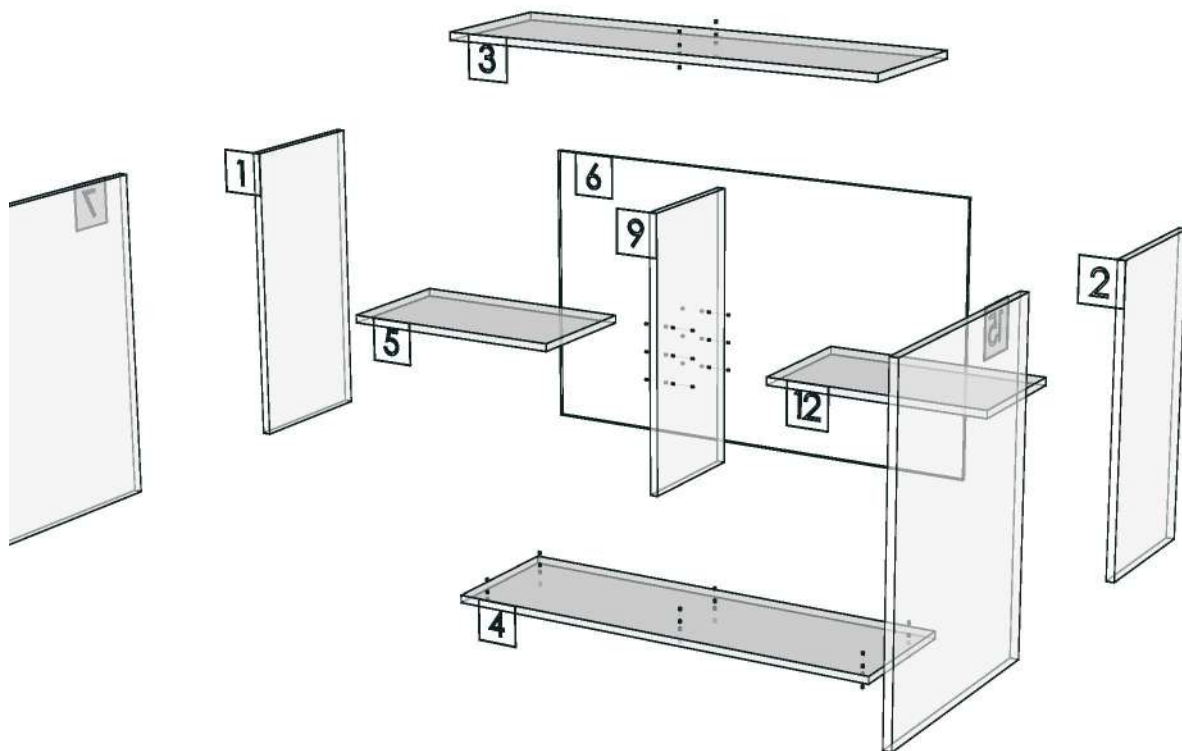
01.405=1 DWK3125AT
01.4051=1 WHITE 01016

K5R 160152669

R&D REVIEW	
<input checked="" type="checkbox"/>	DWG.Customer
<input type="checkbox"/>	Work Report
<input type="checkbox"/>	Function
<input type="checkbox"/>	สินค้าตรงตัวอย่าง
ผู้ทบทวน <i>P.SAWA</i>	
31 / 7 / 68	



Model	-ROMM_CONVECT_DL110_1		
Creator	SUTTHI.P	.BCP Name	INDEX_C3D_KITCHENPAE
Reviewer		Order	O002503
Approves	<i>P. SAWA</i>	Date	09/06/2025



Model	ROMM_CONVECT_DL605LL_1		
Creator	SUTTHI.P	.BCP Name	INDEX_C3D_KITCHENPAE
Reviewer		Order	O002516
Approves	<i>P. SAWA</i>	Date	09/06/2025

ROMM_CONVECT_DL605LL_1-605X330X700

Colour

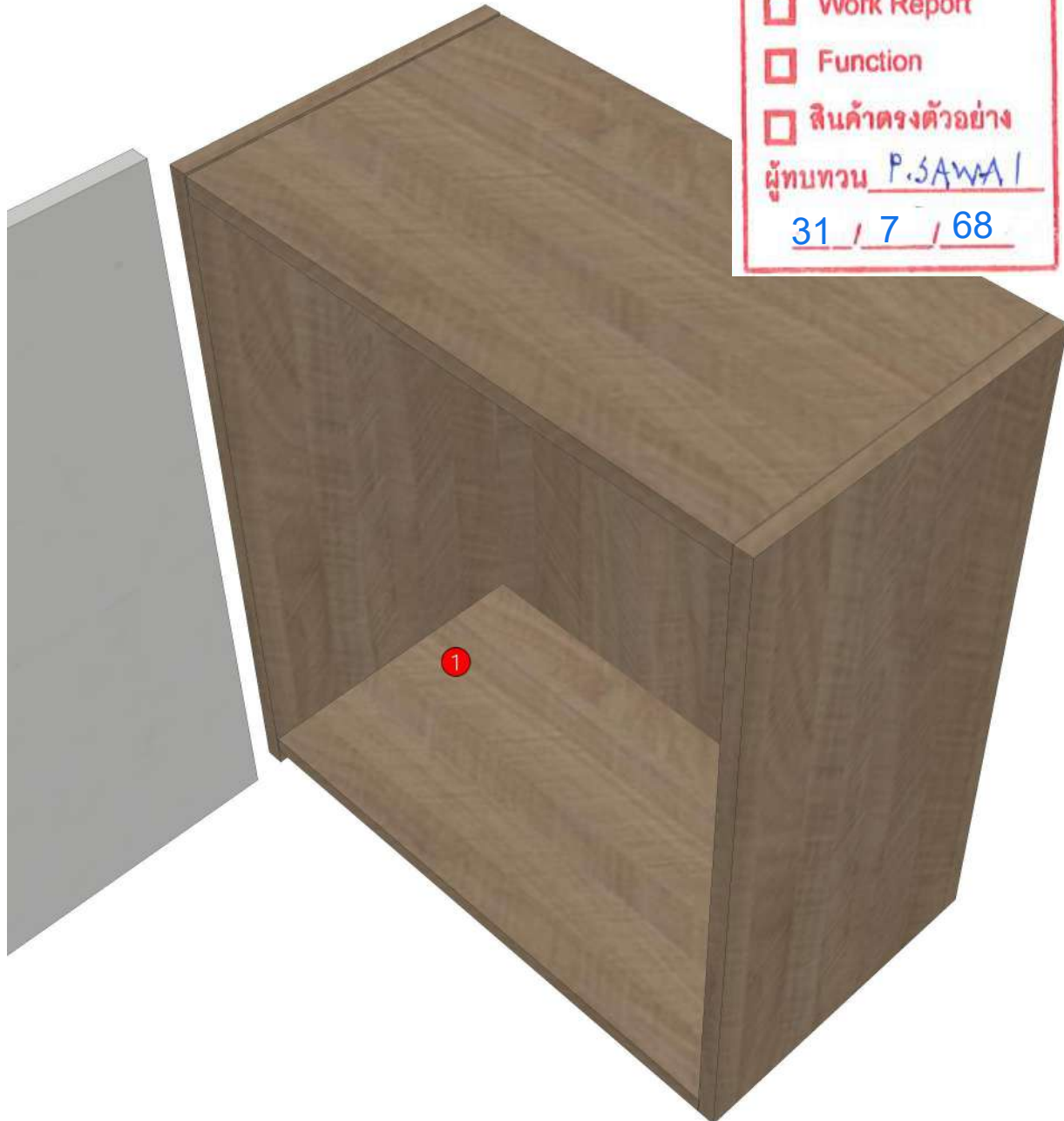
04.69=PB-E1 4'X8'T LAMINATE WILMIKA TEXT NO. W3125-16
04.691=ALVIC LUMAX-SPP/4'X10'X18MM.-BLANCO SUPPERMATT(LX8
04.692=PB-E1 4'X9'T. LAMINA WILMIKA TEXT NO. W3125-16
04.693=HPL WILMIKA NO. W3125-16/HPL.TD#9201 PL

Edge

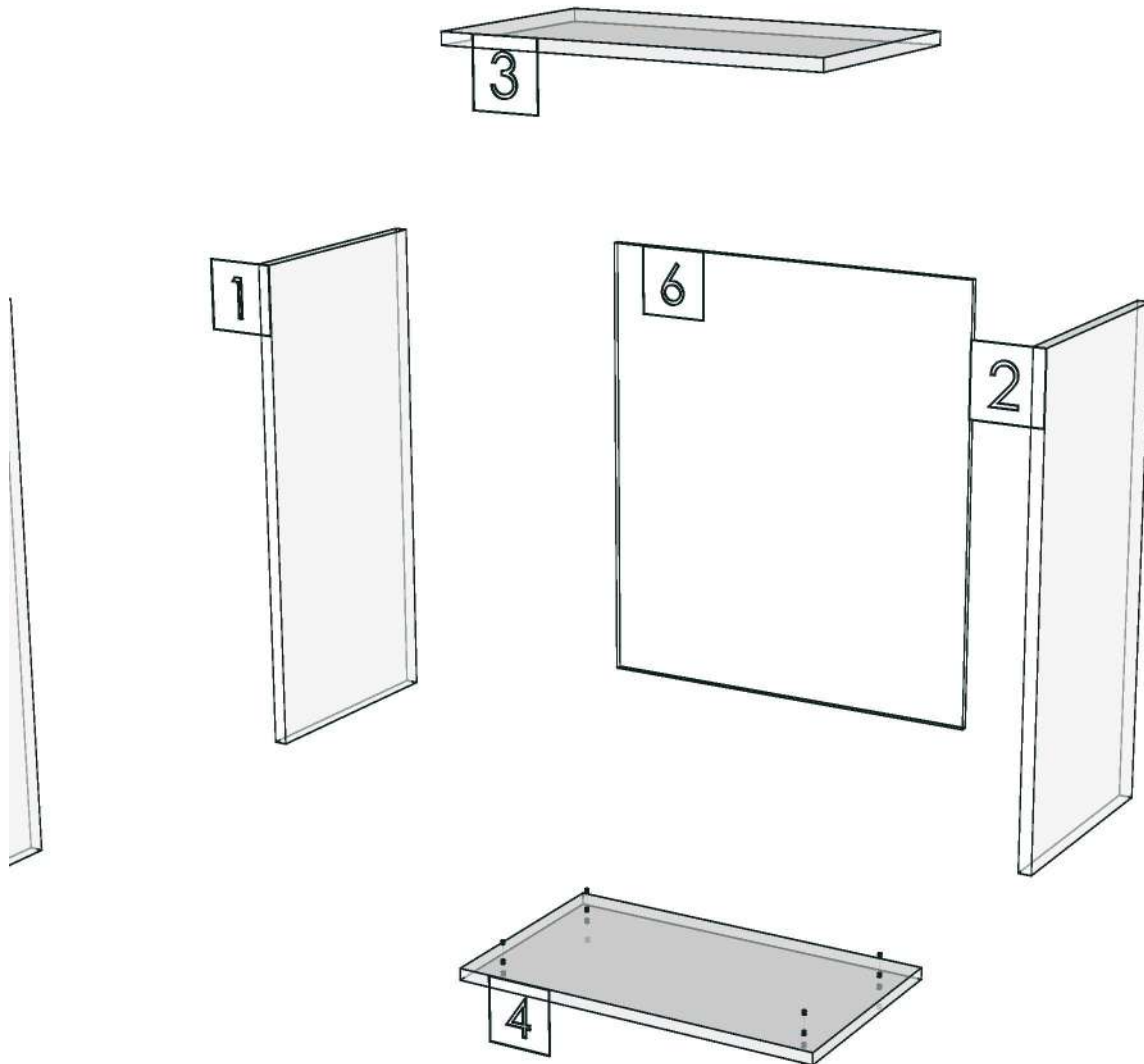
01.405=1 DWK3125AT
01.4051=1 WHITE 01016

K4L 160166148

K5R 160152669



Model	-ROMM_CONVECT_DL605LL_1		
Creator	SUTTHI.P	.BCP Name	INDEX_C3D_KITCHENPAE
Reviewer		Order	0002516
Approves	<i>P. SAWA</i>	Date	09/06/2025



Model	ROMM_CONVECT_DL60HR_SL_1		
Creator	SUTTHI.P	.BCP Name	INDEX_C3D_KITCHENPAE
Reviewer		Order	O002576
Approves	<i>P.SAWA</i>	Date	02/07/2025

ROMM_CONVECT_DL60HR_SL_1-600X330X1025

Colour

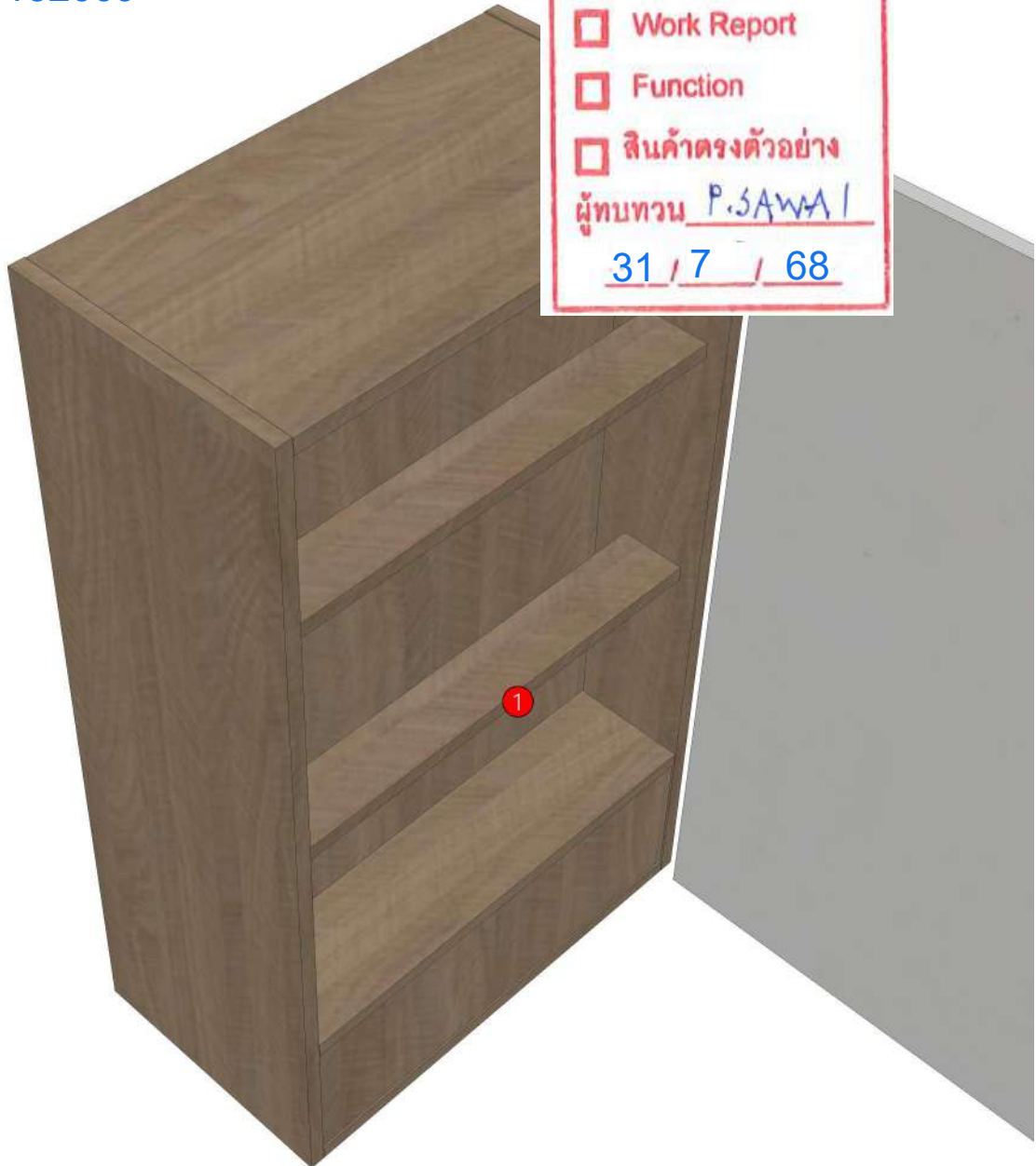
04.69=PB-E1 4'X8'T LAMINATE WILMIKA TEXT NO. W3125-16
04.691=ALVIC LUMAX-SPP/4'X10'X18MM.-BLANCO SUPPERMATT(LX8)
04.692=PB-E1 4'X9'T. LAMINA WILMIKA TEXT NO. W3125-16
04.693=HPL WILMIKA NO. W3125-16/HPL.TD#9201 PL

Edge

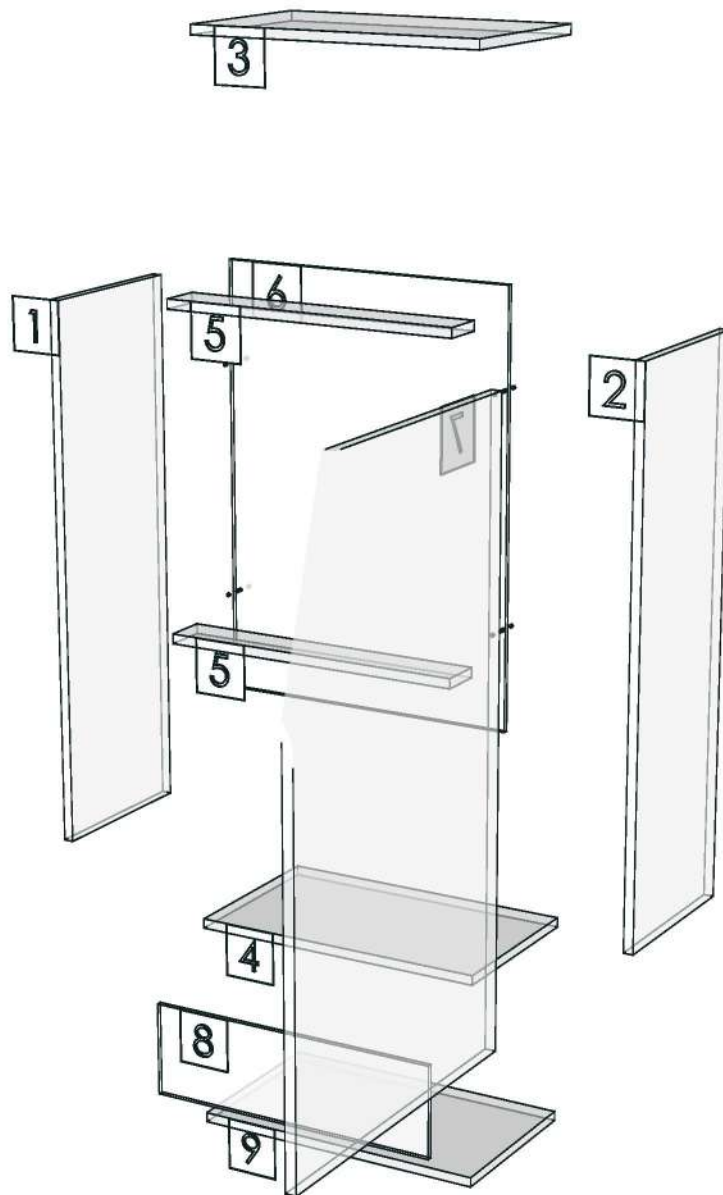
01.405=1 DWK3125AT
01.4051=1 WHITE 01016

K1R 160160423

K5R 160152669



Model	-ROMM_CONVECT_DL60HR_SL_1		
Creator	SUTTHI.P	.BCP Name	INDEX_C3D_KITCHENPAE
Reviewer		Order	0002576
Approves	<i>P. SAWA</i>	Date	02/07/2025



Model	ROMM_CONVECT_DL725_1		
Creator	SUTTHI.P	.BCP Name	INDEX_C3D_KITCHENPAE
Reviewer		Order	O002522
Approves	<i>P.SAWA</i>	Date	09/06/2025

ROMM_CONVECT_DL725_1-725X330X680

Colour

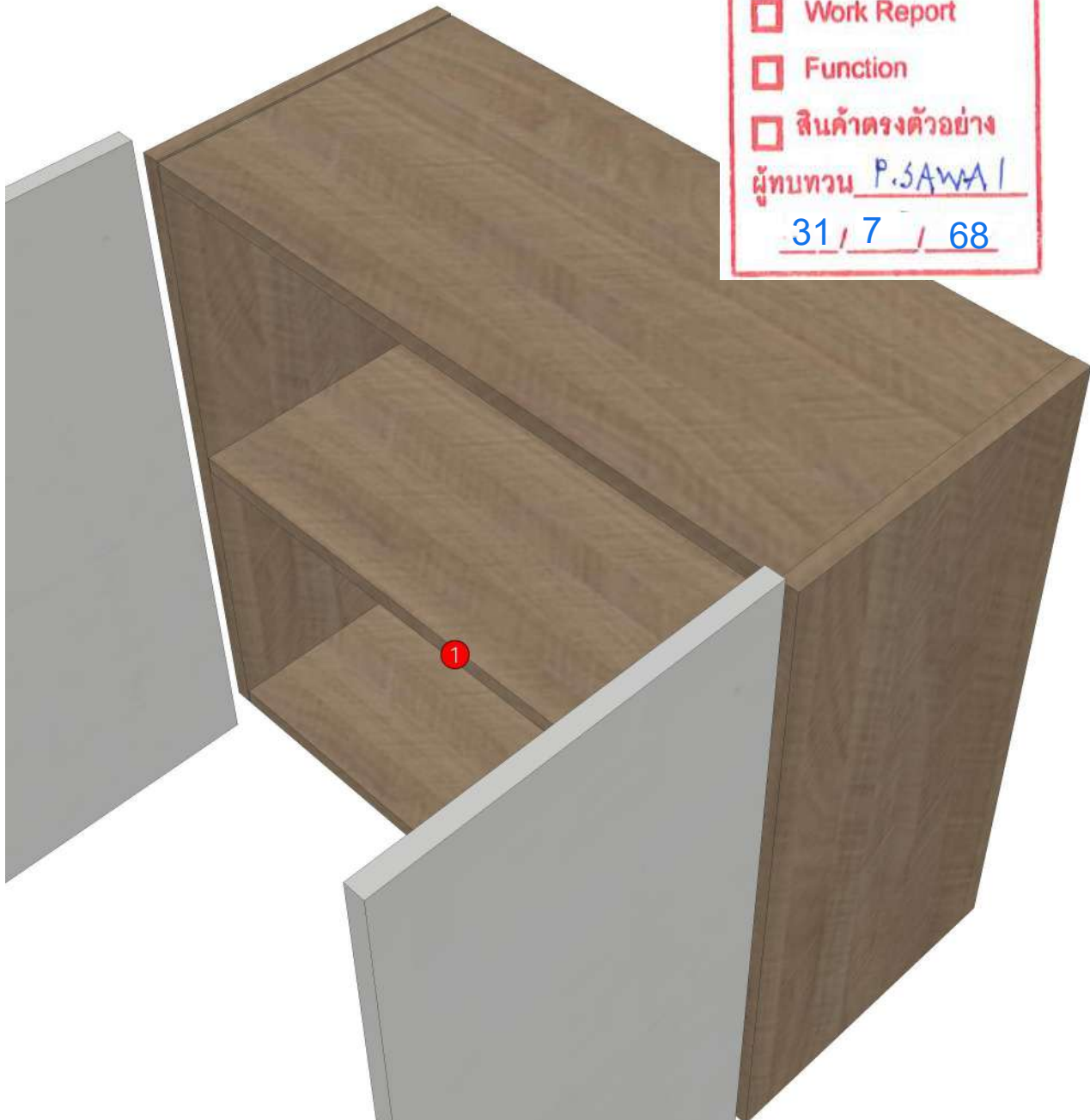
04.69=PB-E1 4'X8'T LAMINATE WILMIKA TEXT NO. W3125-16
04.691=ALVIC LUMAX-SPP/4'X10'X18MM.-BLANCO SUPPERMATT(LX8
04.692=PB-E1 4'X9'T. LAMINA WILMIKA TEXT NO. W3125-16
04.693=HPL WILMIKA NO. W3125-16/HPL.TD#9201 PL

Edge

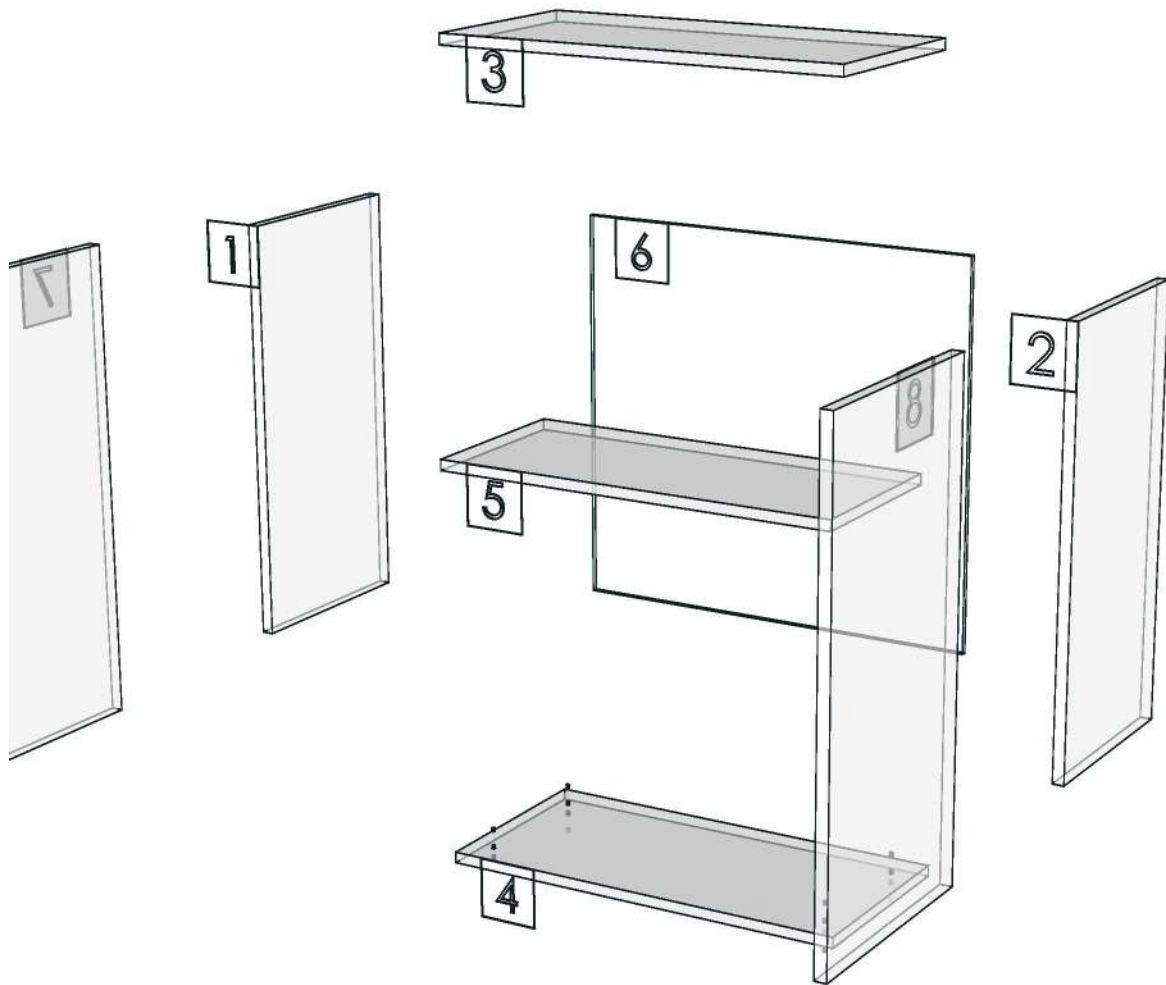
01.405=1 DWK3125AT
01.4051=1 WHITE 01016

K5R 160152669

R&D REVIEW	
<input checked="" type="checkbox"/>	DWG.Customer
<input type="checkbox"/>	Work Report
<input type="checkbox"/>	Function
<input type="checkbox"/>	สินค้าตรงตัวอย่าง
ผู้ทบทวน <u>P.SAWA</u>	
<u>31 / 7 / 68</u>	



Model	-ROMM_CONVECT_DL725_1		
Creator	SUTTHI.P	.BCP Name	INDEX_C3D_KITCHENPAE
Reviewer		Order	0002522
Approves	<i>P. SAWA</i>	Date	09/06/2025



Model	ROMM_CONVECT_DPLT_2120_1		
Creator	SUTTHI.P	.BCP Name	INDEX_C3D_KITCHENPAE
Reviewer		Order	O002641
Approves	P.SAWA	Date	10/07/2025

ROMM_CONVECT_DPLT_2120_1-2120X9X100

Colour

04.69=PB-E1 4'X8'T LAMINATE WILMIKA TEXT NO. W3125-16
04.691=ALVIC LUMAX-SPP/4'X10'X18MM.-BLANCO SUPPERMATT(LX8)

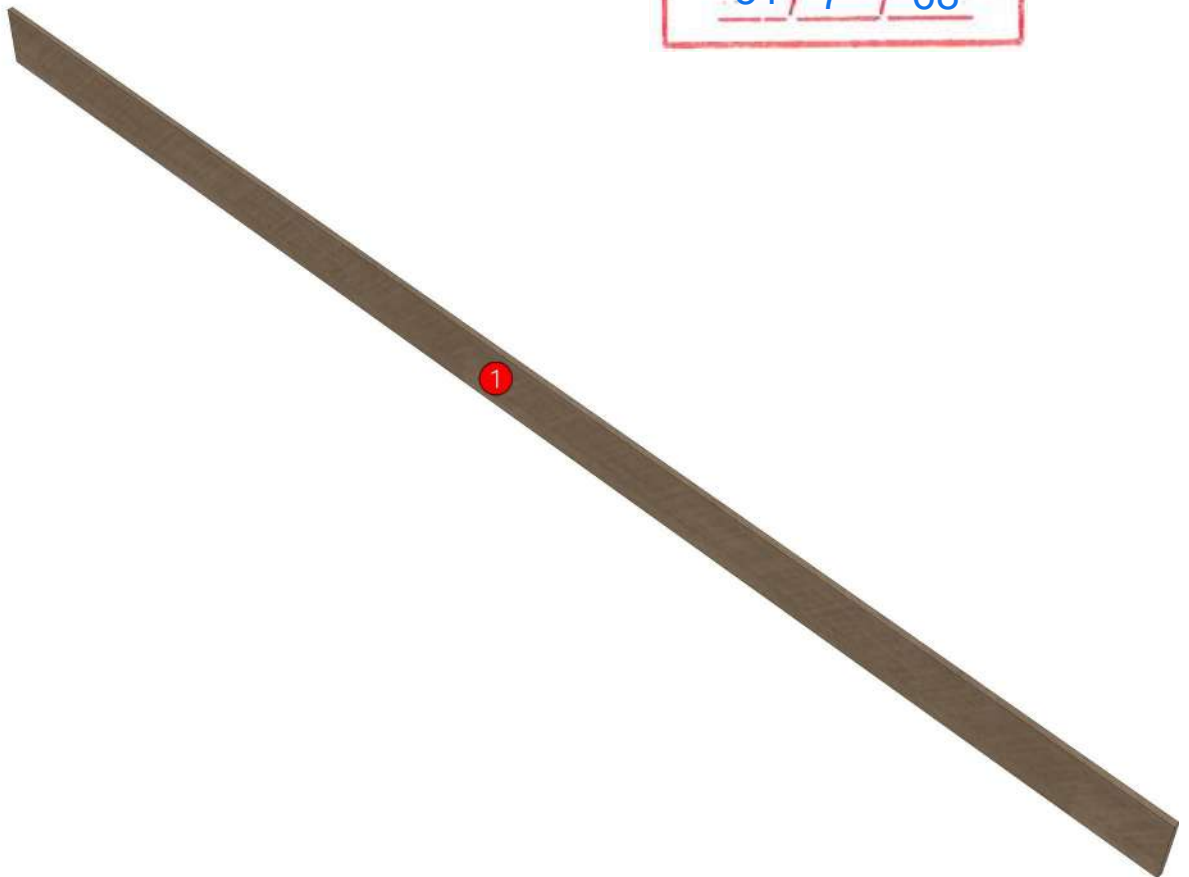
Edge

01.405=1 DWK3125AT
01.4051=1 WHITE 01016

K5R 160152669

K13L 160161368

R&D REVIEW	
<input checked="" type="checkbox"/>	DWG.Customer
<input type="checkbox"/>	Work Report
<input type="checkbox"/>	Function
<input type="checkbox"/>	สินค้าตรงตัวอย่าง
ผู้ทบทวน <u>P.SAWA</u>	
<u>31 / 7 / 68</u>	



Model	-ROMM_CONVECT_DPLT_2120_1		
Creator	SUTTHI.P	.BCP Name	INDEX_C3D_KITCHENPAE
Reviewer		Order	0002641
Approves	<i>P. SAWA</i>	Date	10/07/2025



Model	ROMM_CONVECT_DPLT_2265_1		
Creator	SUTTHI.P	.BCP Name	INDEX_C3D_KITCHENPAE
Reviewer		Order	O002642
Approves	P. SAWA	Date	10/07/2025

ROMM_CONVECT_DPLT_2265_1-2265X9X100

Colour

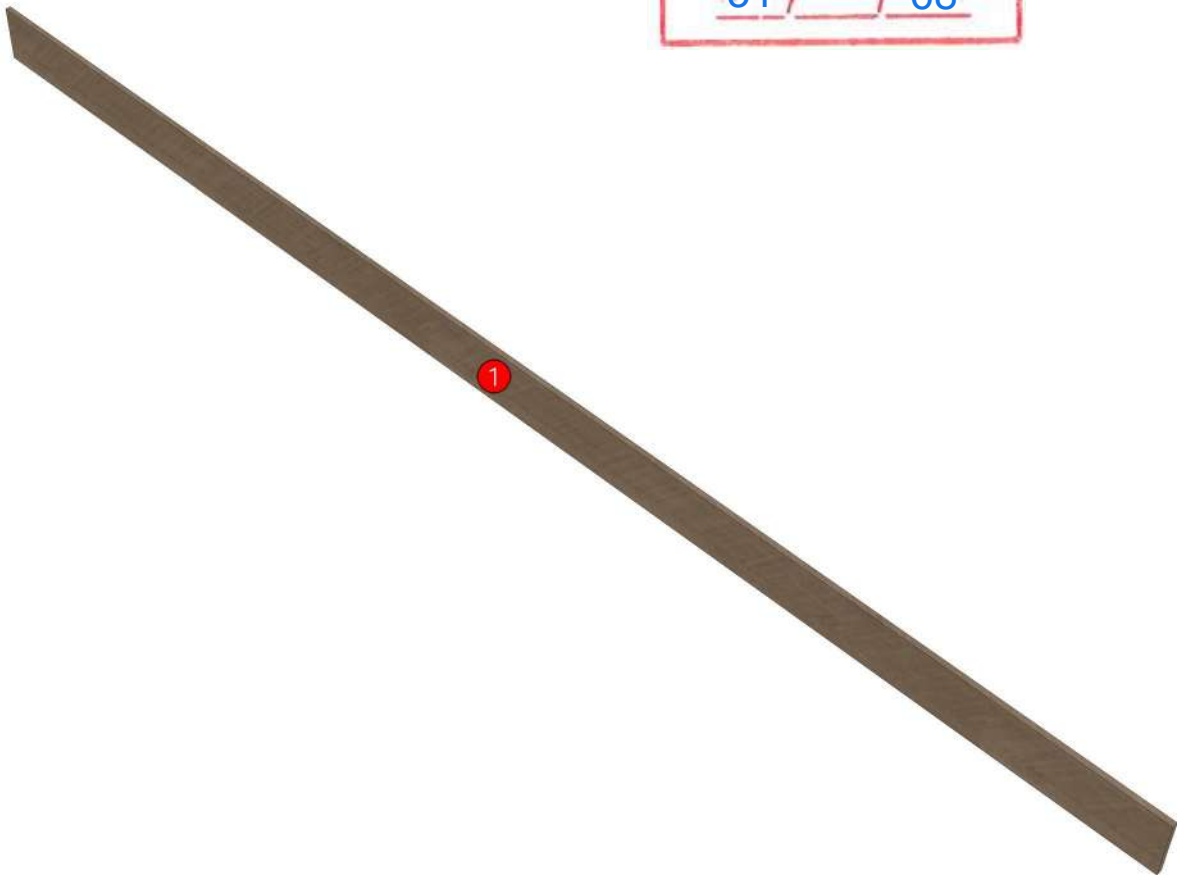
04.69=PB-E1 4'X8'T LAMINATE WILMIKA TEXT NO. W3125-16
04.691=ALVIC LUMAX-SPP/4'X10'X18MM.-BLANCO SUPPERMATT(LX8)

Edge

01.405=1 DWK3125AT
01.4051=1 WHITE 01016

K5R 160152669

R&D REVIEW	
<input checked="" type="checkbox"/>	DWG.Customer
<input type="checkbox"/>	Work Report
<input type="checkbox"/>	Function
<input type="checkbox"/>	สินค้าตรงตัวอย่าง
ผู้ทบทวน <u>P.SAWA</u>	
<u>31</u> / <u>7</u> / <u>68</u>	



Model	-ROMM_CONVECT_DPLT_2265_1		
Creator	SUTTHI.P	.BCP Name	INDEX_C3D_KITCHENPAE
Reviewer		Order	0002642
Approves	<i>P. SAWA</i>	Date	10/07/2025



Model	ROMM_CONVECT_DPLT_710S_1		
Creator	SUTTHI.P	.BCP Name	INDEX_C3D_KITCHENPAE
Reviewer		Order	O002647
Approves	P. SAWA	Date	10/07/2025

ROMM_CONVECT_DPLT_710S_1-710X9X100

Colour

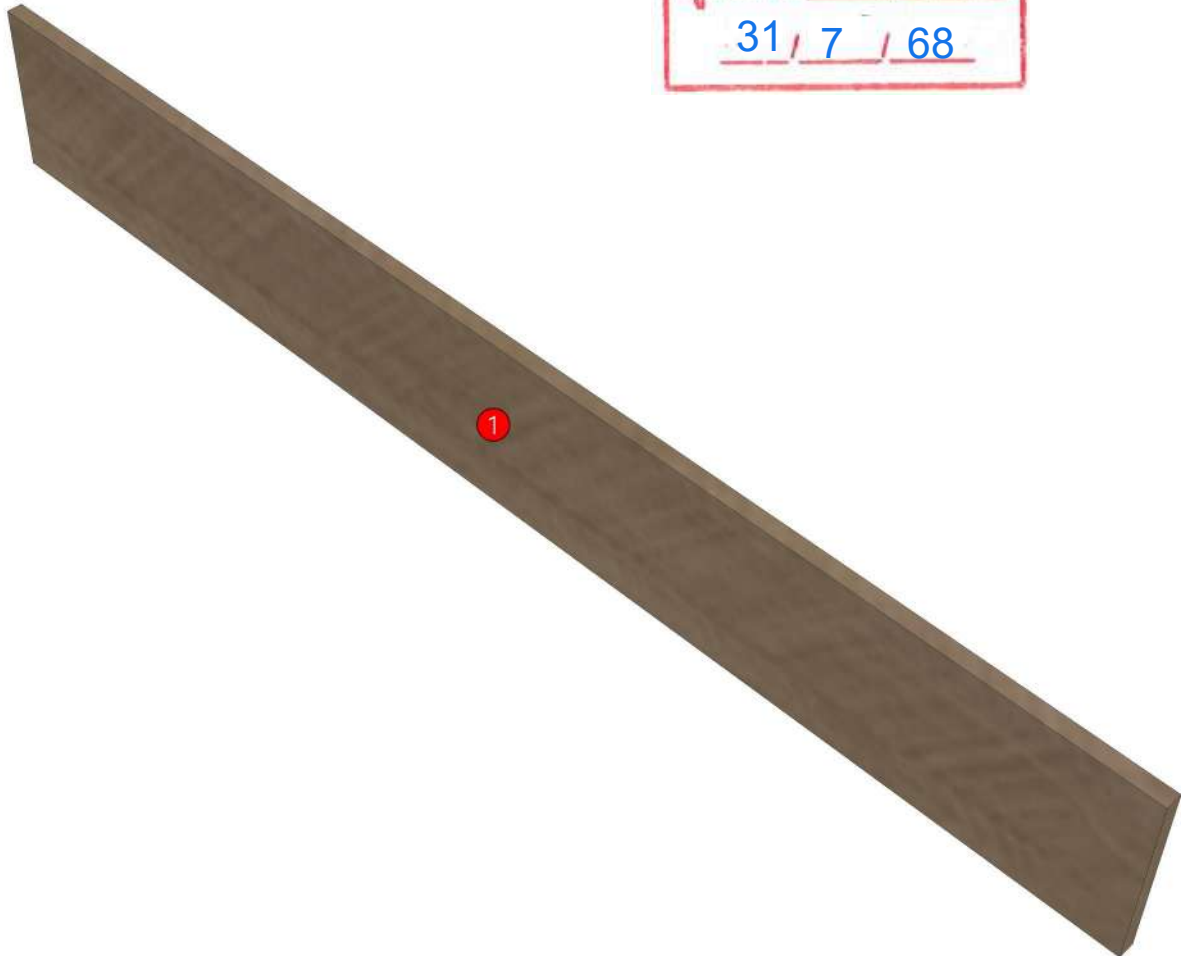
04.69=PB-E1 4'X8'T LAMINATE WILMIKA TEXT NO. W3125-16
04.691=ALVIC LUMAX-SPP/4'X10'X18MM.-BLANCO SUPPERMATT(LX8)

Edge

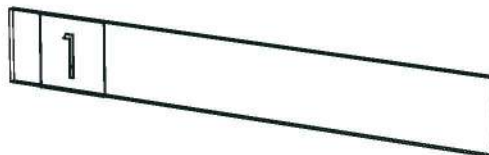
01.405=1 DWK3125AT
01.4051=1 WHITE 01016

K5R 160152669

R&D REVIEW	
<input checked="" type="checkbox"/>	DWG.Customer
<input type="checkbox"/>	Work Report
<input type="checkbox"/>	Function
<input type="checkbox"/>	สินค้าตรงตัวอย่าง
ผู้ทบทวน <u>P.SAWA</u>	
<u>31 / 7 / 68</u>	



Model	-ROMM_CONVECT_DPLT_710S_1		
Creator	SUTTHI.P	.BCP Name	INDEX_C3D_KITCHENPAE
Reviewer		Order	0002647
Approves	<i>P. SAWA</i>	Date	10/07/2025



Model	ROMM_CONVECT_DSH_2305R_1		
Creator	SUTTHI.P	.BCP Name	INDEX_C3D_KITCHENPAE
Reviewer		Order	O002543
Approves	P.SAWA	Date	10/06/2025

ROMM_CONVECT_DSH_2305R_1-2305X350X25

Colour

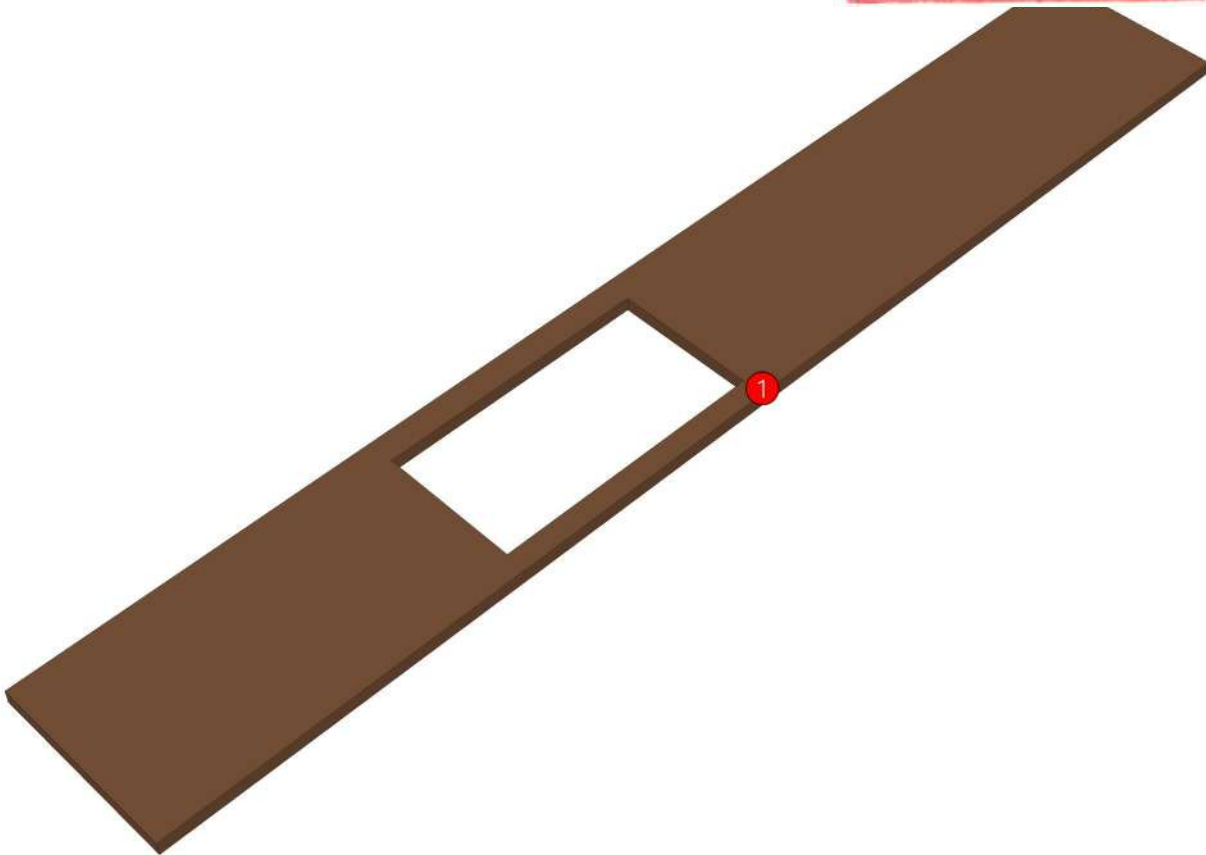
04.69=PB-E1 4'X8'T LAMINATE WILMIKA TEXT NO. W3125-16
04.691=ALVIC LUMAX-SPP/4'X10'X18MM.-BLANCO SUPPERMATT(LX8)

Edge

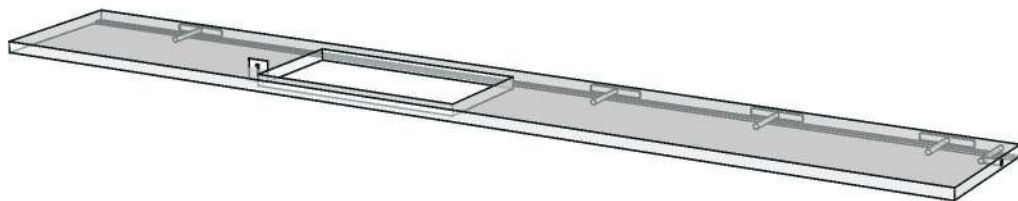
01.405=1 DWK3125AT
01.4051=1 WHITE 01016

K5R 160152669

R&D REVIEW	
<input checked="" type="checkbox"/>	DWG.Customer
<input type="checkbox"/>	Work Report
<input type="checkbox"/>	Function
<input type="checkbox"/>	สินค้าตรงตัวอย่าง
ผู้ทบทวน <u>P.SAWA</u>	
<u>31 / 7 / 68</u>	



Model	-ROMM_CONVECT_DSH_2305R_1		
Creator	SUTTHI.P	.BCP Name	INDEX_C3D_KITCHENPAE
Reviewer		Order	0002543
Approves	<i>P. SAWA</i>	Date	10/06/2025



Model	ROMM_CONVECT_DT75_1		
Creator	SUTTHI.P	.BCP Name	INDEX_C3D_KITCHENPAE
Reviewer		Order	O002574
Approves	P. SAWA	Date	17/06/2025

ROMM_CONVECT_DT75_1-750X700X2550

Colour

04.69=PB-E1 4'X8'T LAMINATE WILMIKA TEXT NO. W3125-16
04.691=ALVIC LUMAX-SPP/4'X10'X18MM.-BLANCO SUPPERMATT(LX8)
04.692=PB-E1 4'X9'T. LAMINA WILMIKA TEXT NO. W3125-16

Edge

01.405=1 DWK3125AT
01.4051=1 WHITE 01016

K5R 160152669

R&D REVIEW

- DWG.Customer
- Work Report
- Function
- สินค้าตรงตัวอย่าง

ผู้ทบทวน P.SAWA

2 / 8 / 68

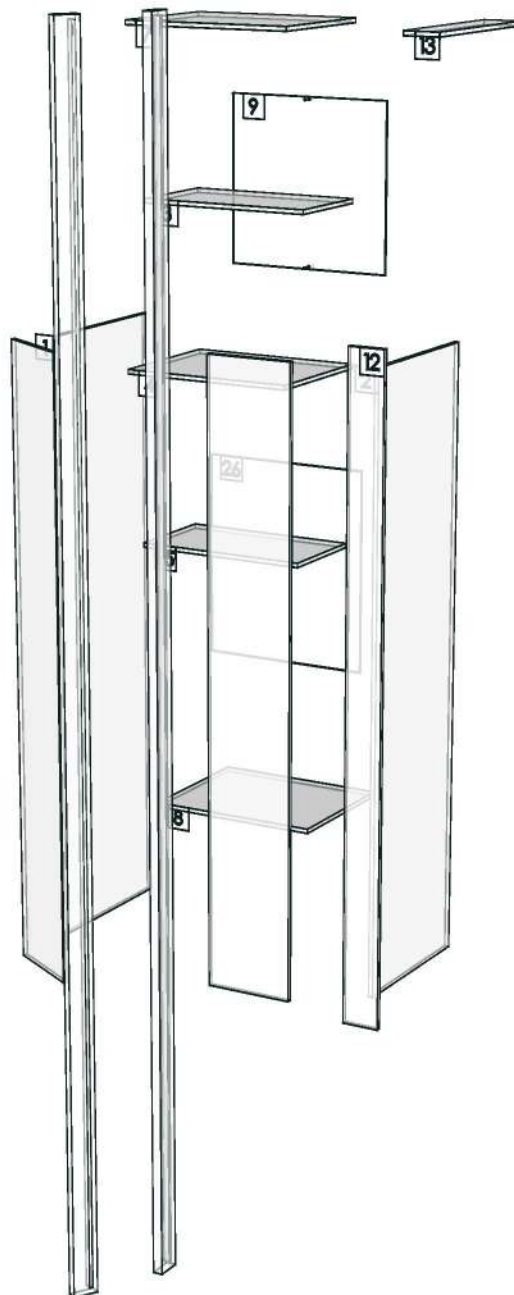
FIN เพื่อชวย ชนผ้า



*** แผ่นหลังแบบถอดได้

*** ไม้ PB-E1 4'X9'T.
18/2 LAMINA WILMIKA TE
XT NO. W3125-16
ตัดชิ้นงานทั้งตัว เพื่อเจดไม้ให้เหมือนกัน

Model	-ROMM_CONVECT_DT75_1		
Creator	SUTTHI.P	.BCP Name	INDEX_C3D_KITCHENPAE
Reviewer		Order	0002574
Approves	<i>P. SAWA</i>	Date	17/06/2025



Model	ROMM_CONVECT_DUT_2200I_1		
Creator	SUTTHI.P	.BCP Name	INDEX_C3D_KITCHENPAE
Reviewer		Order	O002656
Approves	<i>P. SAWA</i>	Date	10/07/2025

ROMM_CONVECT_DUT_2200I_1-2200X18X700

Colour

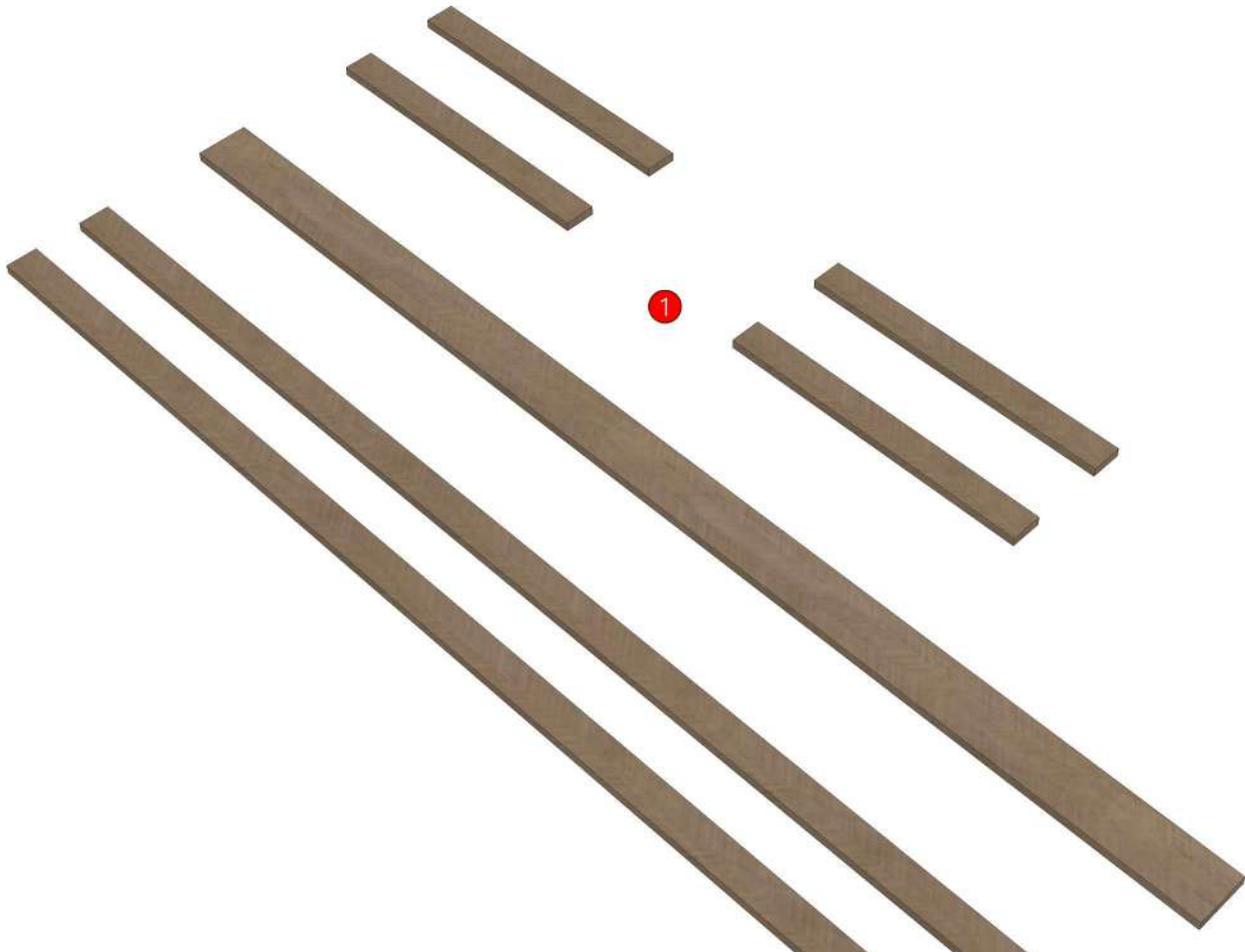
04.69=LAMINATE HPL DWK3125AT EDL
04.691=ALVIC LUMAX-SPP/4'X10'X18MM.-BLANCO SUPPERMATT(LX8
05.01=ML WHITE VM1012 18/18

Edge

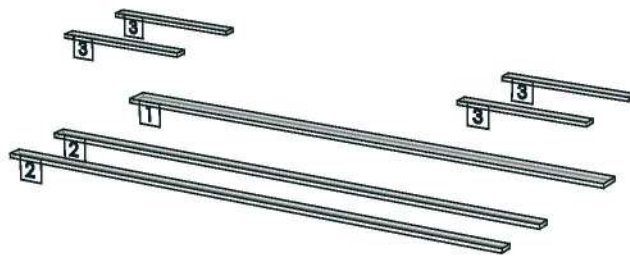
01.405=1 DWK3125AT
01.4051=1 WHITE 01016
01.47=1 WHITE

K5R 160152669

R&D REVIEW	
<input checked="" type="checkbox"/>	DWG.Customer
<input type="checkbox"/>	Work Report
<input type="checkbox"/>	Function
<input type="checkbox"/>	สินค้าตรงตัวอย่าง
ผู้ทบทวน <i>P.SAWA</i>	
<i>23 / 7 / 68</i>	



Model	-ROMM_CONVECT_DUT_2200I_1		
Creator	SUTTHI.P	.BCP Name	INDEX_C3D_KITCHENPAE
Reviewer		Order	O002656
Approves	<i>P. SAWA</i>	Date	10/07/2025



Model	ROMM_CONVECT_DUT_2400_1		
Creator	SUTTHI.P	.BCP Name	INDEX_C3D_KITCHENPAE
Reviewer		Order	O002657
Approves	P. SAWA	Date	10/07/2025

ROMM_CONVECT_DUT_2400_1-2400X16X50

Colour

04.69=LAMINATE HPL DWK3125AT EDL

04.691=ALVIC LUMAX-SPP/4'X10'X18MM.-BLANCO SUPPERMATT(LX8

05.01=ML WHITE VM1012 18/18

Edge

01.405=1 DWK3125AT

01.4051=1 WHITE 01016

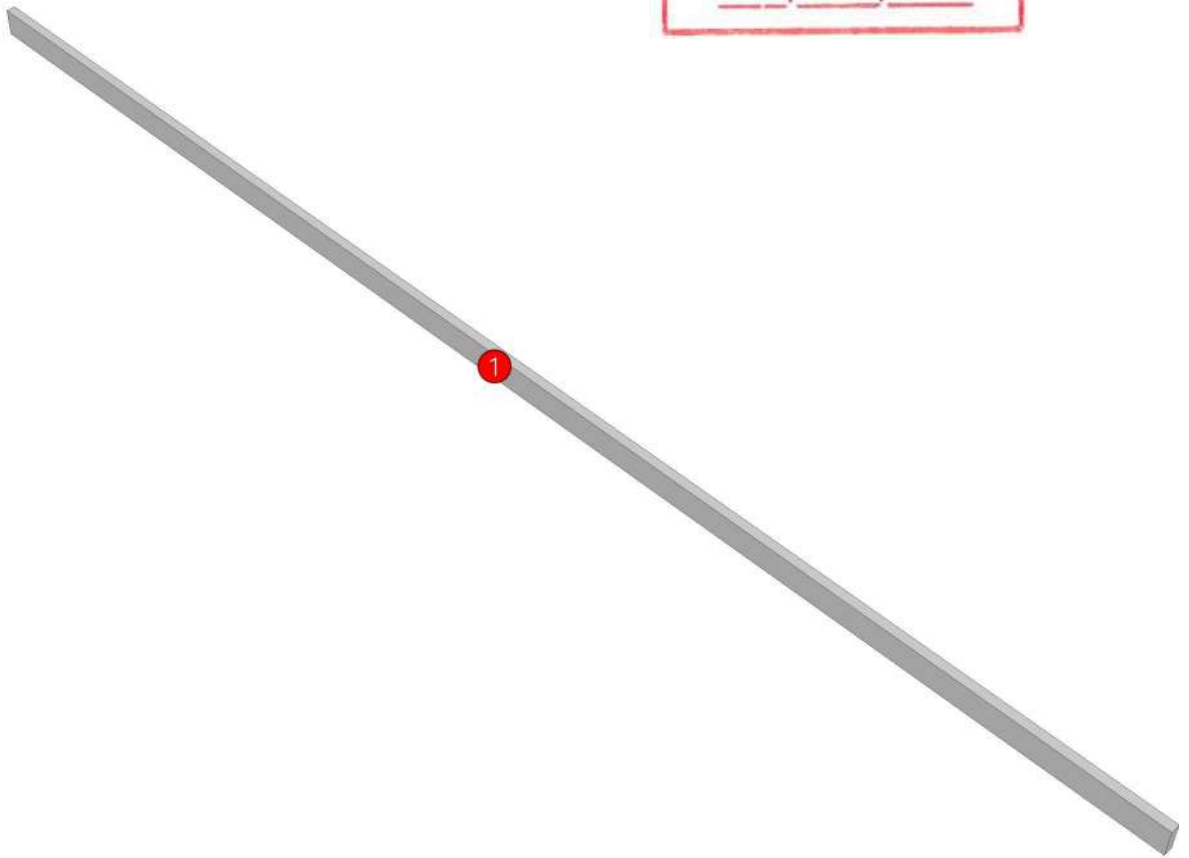
01.47=1 WHITE

K5R 160152669

K14L 160152715

K15R 160152736

R&D REVIEW	
<input checked="" type="checkbox"/>	DWG.Customer
<input type="checkbox"/>	Work Report
<input type="checkbox"/>	Function
<input type="checkbox"/>	สินค้าตรงตัวอย่าง
ผู้ทบทวน <u>P.SAWA</u>	
<u>9</u> / <u>7</u> / <u>68</u>	



Model	-ROMM_CONVECT_DUT_2400_1		
Creator	SUTTHI.P	.BCP Name	INDEX_C3D_KITCHENPAE
Reviewer		Order	0002657
Approves	<i>P. SAWA</i>	Date	10/07/2025



Model	ROMM_CONVECT_LED_1825_1		
Creator	SUTTHI.P	.BCP Name	INDEX_C3D_KITCHENPAE
Reviewer		Order	O002551
Approves	P.SAWA	Date	10/06/2025

ROMM_CONVECT_LED_1825_1-1825X330X18

Colour

04.69=LAMINATE HPL DWK3125AT EDL

04.691=ALVIC LUMAX-SPP/4'X10'X18MM.-BLANCO SUPPERMATT(LX8

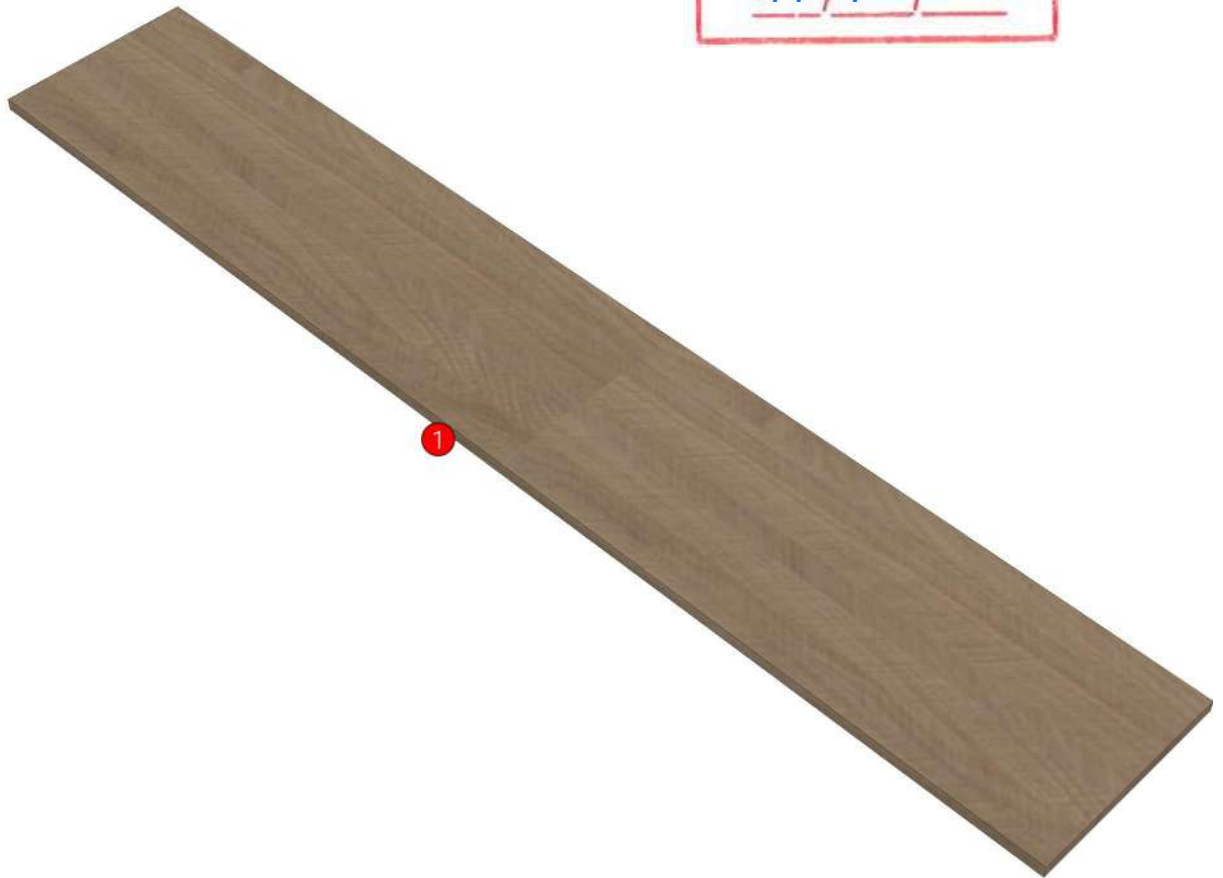
Edge

01.405=1 DWK3125AT

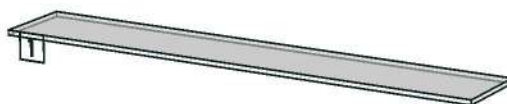
01.4051=1 WHITE 01016

K5R 160152669

R&D REVIEW	
<input checked="" type="checkbox"/>	DWG.Customer
<input type="checkbox"/>	Work Report
<input type="checkbox"/>	Function
<input type="checkbox"/>	สินค้าตรงตัวอย่าง
ผู้ทบทวน <u>P.SAWA</u>	
<u>11 / 7 / 68</u>	



Model	-ROMM_CONVECT_LED_1825_1		
Creator	SUTTHI.P	.BCP Name	INDEX_C3D_KITCHENPAE
Reviewer		Order	0002551
Approves	<i>P. SAWA</i>	Date	10/06/2025



Model	ROMM_CONVECT_LED_585_1		
Creator	SUTTHI.P	.BCP Name	INDEX_C3D_KITCHENPAE
Reviewer		Order	0002557
Approves	<i>P. SAWA</i>	Date	10/06/2025

ROMM_CONVECT_LED_585_1-585X330X18

Colour

04.69=LAMINATE HPL DWK3125AT EDL

04.691=ALVIC LUMAX-SPP/4'X10'X18MM.-BLANCO SUPPERMATT(LX8

Edge

01.405=1 DWK3125AT

01.4051=1 WHITE 01016

K5R 160152669

R&D REVIEW	
<input checked="" type="checkbox"/>	DWG.Customer
<input type="checkbox"/>	Work Report
<input type="checkbox"/>	Function
<input type="checkbox"/>	สินค้าตรงตัวอย่าง
ผู้ทบทวน <u>P.SAWA</u>	
<u>11 / 7 / 68</u>	



Model	-ROMM_CONVECT_LED_585_1		
Creator	SUTTHI.P	.BCP Name	INDEX_C3D_KITCHENPAE
Reviewer		Order	0002557
Approves	<i>P. SAWA</i>	Date	10/06/2025

