

<b>Model</b>	ESCENT_NKW_DBS50LGR		
<b>Creator</b>	PASATHORN	<b>.BCP Name</b>	INDEX_C3D_KITCHEN2
<b>Reviewer</b>		<b>Order</b>	I003772
<b>Approves</b>		<b>Date</b>	11/12/2024

## **ESCENT\_NKW\_DBS50LGR-500X570X922**

### **Colour**

20.01=ML.MFI599\_PEARL

05.41=ML FOSS ZILK# BK2 (CROSS METAL)

K1L-160152076

K2L-160131628

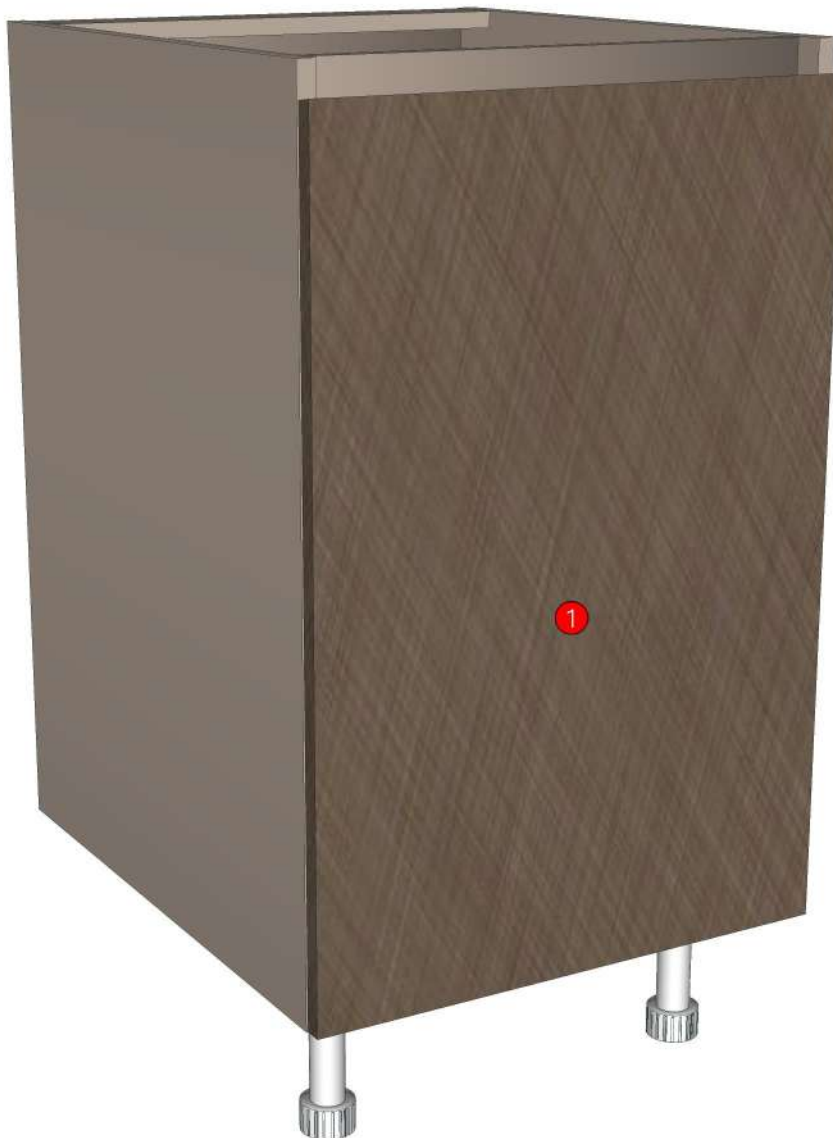
### **Edge**

01.319=1 MFI599 PEARL

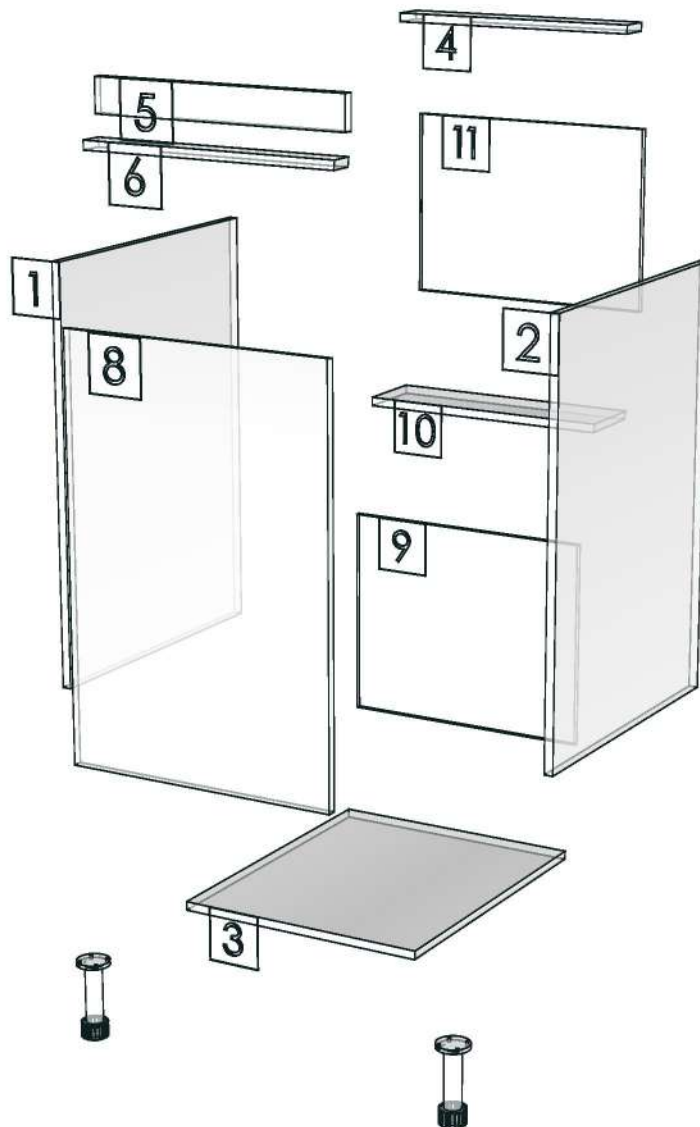
01.299=1 FOSS ZILK BK2 A1285 TH00

K8L-160152121

<b>R&amp;D REVIEW</b>	
<input checked="" type="checkbox"/>	DWG.Customer
<input checked="" type="checkbox"/>	Work Report
<input type="checkbox"/>	Function
<input type="checkbox"/>	สินค้าตรงตัวอย่าง
ผู้ทบทวน _____	
_____	



<b>Model</b>	-ESCENT_NKW_DBS50LGR		
<b>Creator</b>		<b>.BCP Name</b>	INDEX_C3D_KITCHEN2
<b>Reviewer</b>		<b>Order</b>	I003772
<b>Approves</b>		<b>Date</b>	



<b>Model</b>	ESCENT_NKW_DBH602GL		
<b>Creator</b>	PASATHORN	<b>.BCP Name</b>	INDEX_C3D_KITCHEN2
<b>Reviewer</b>		<b>Order</b>	I003783
<b>Approves</b>	P.SAWAI	<b>Date</b>	12/12/2024

## ESCENT\_NKW\_DBH602GL-600X570X922

### Colour

20.01=ML.MFI599\_PEARL

05.41=ML FOSS ZILK# BK2 (CROSS METAL)

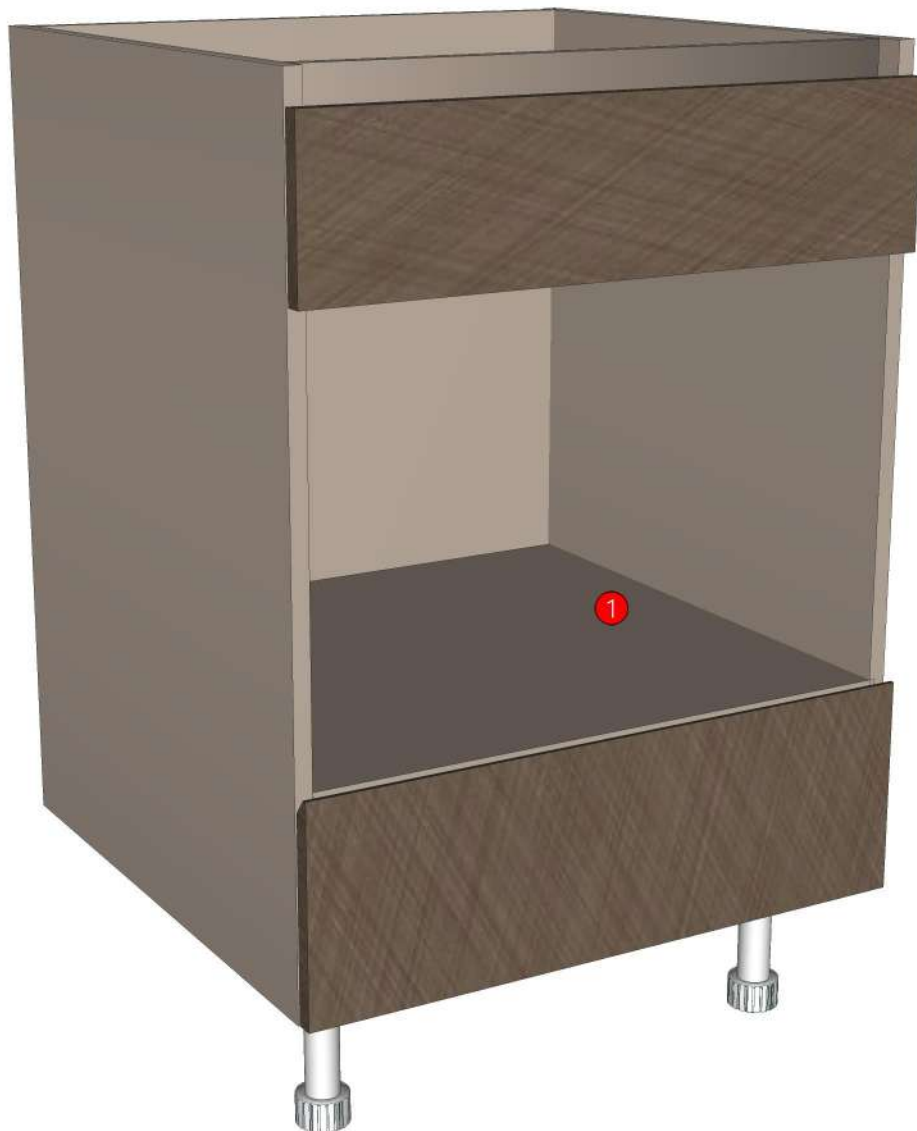
### Edge

01.319=1 MFI599 PEARL

01.299=1 FOSS ZILK BK2 A1285 TH00

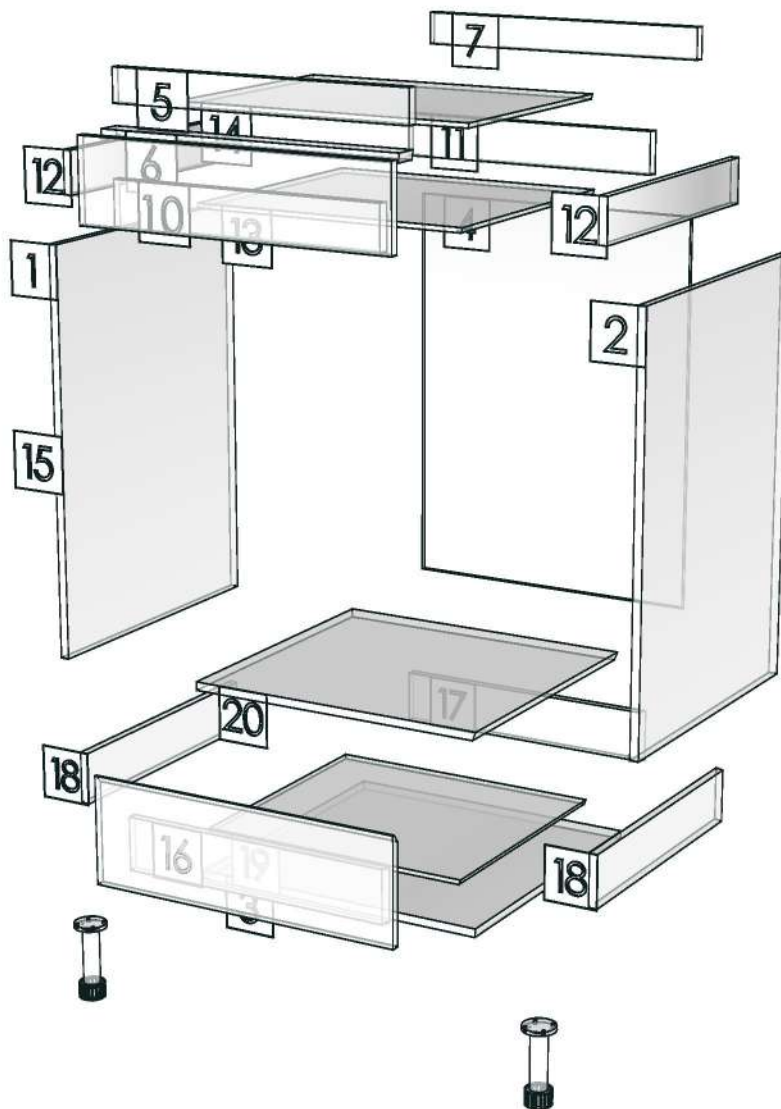
<b>R&amp;D REVIEW</b>	
<input checked="" type="checkbox"/>	DWG.Customer
<input checked="" type="checkbox"/>	Work Report
<input type="checkbox"/>	Function
<input type="checkbox"/>	สินค้าตรงตัวอย่าง
ผู้ทบทวน P.SAWAI	
12/12/2024	

K8L-160152121



<b>Model</b>	-ESCENT_NKW_DBH602GL		
<b>Creator</b>		<b>.BCP Name</b>	INDEX_C3D_KITCHEN2
<b>Reviewer</b>		<b>Order</b>	I003783
<b>Approves</b>	P.SAWAI	<b>Date</b>	

9



<b>Model</b>	ESCENT_NKW_DL60HR		
<b>Creator</b>	PASATHORN	<b>.BCP Name</b>	INDEX_C3D_KITCHEN2
<b>Reviewer</b>		<b>Order</b>	I003767
<b>Approves</b>		<b>Date</b>	11/12/2024

## ESCENT\_NKW\_DL60HR-600X300X600

**Colour**

20.01=ML.MFI599\_PEARL

**Edge**

01.319=1 MFI599 PEARL

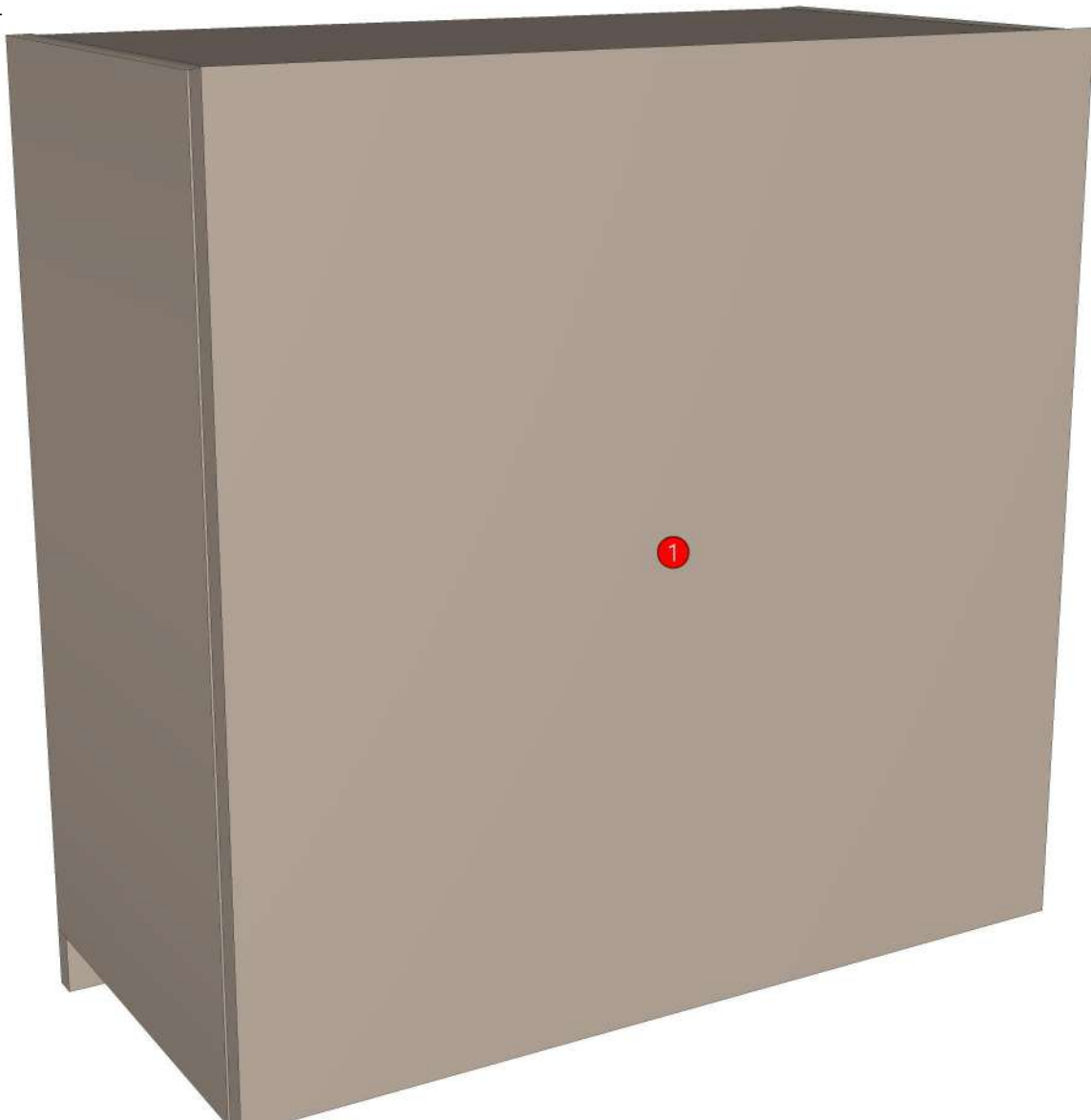
K1L-160152076

K2L-160131628

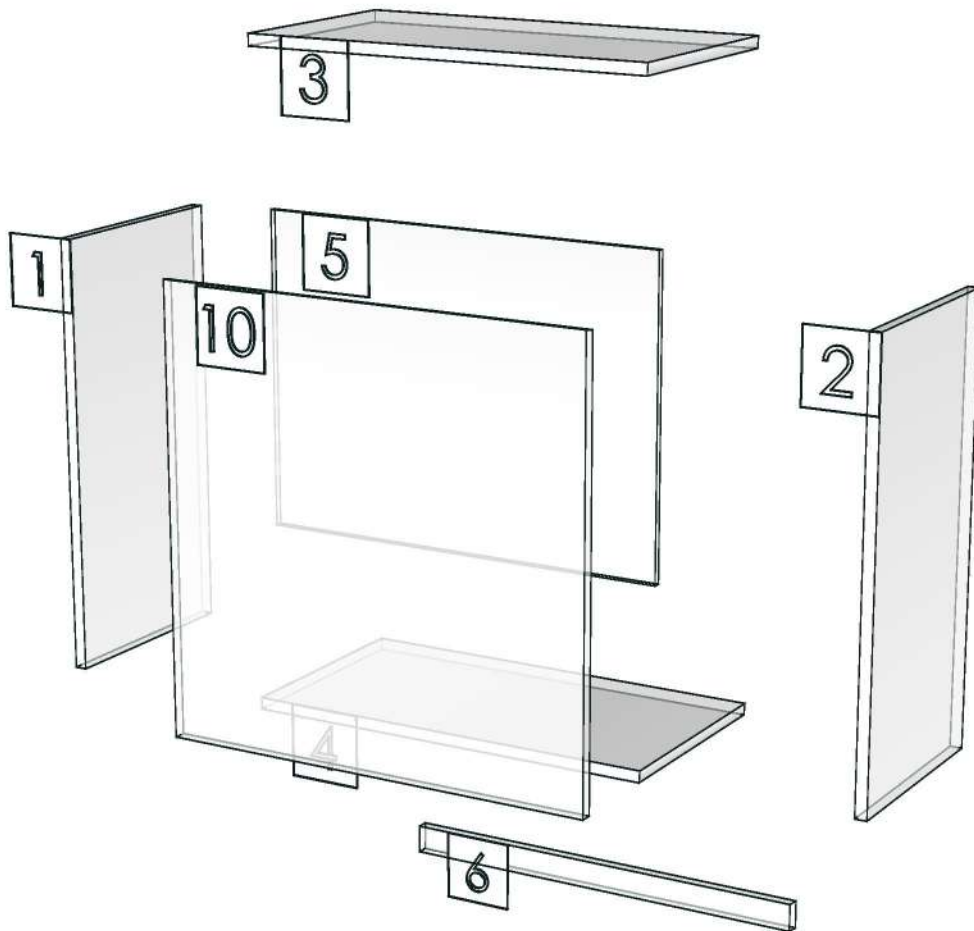
K7L-160152111

K8L-160152121

<b>R&amp;D REVIEW</b>	
<input checked="" type="checkbox"/>	DWG.Customer
<input checked="" type="checkbox"/>	Work Report
<input type="checkbox"/>	Function
<input type="checkbox"/>	สินค้าตรงตัวอย่าง
ผู้ทบทวน _____	
_____	



<b>Model</b>	-ESCENT_NKW_DL60HR		
<b>Creator</b>		<b>.BCP Name</b>	INDEX_C3D_KITCHEN2
<b>Reviewer</b>		<b>Order</b>	I003767
<b>Approves</b>		<b>Date</b>	



<b>Model</b>	ESCENT_NKW_DW115		
<b>Creator</b>	PASATHORN	<b>.BCP Name</b>	INDEX_C3D_KITCHEN2
<b>Reviewer</b>		<b>Order</b>	I003778
<b>Approves</b>		<b>Date</b>	12/12/2024

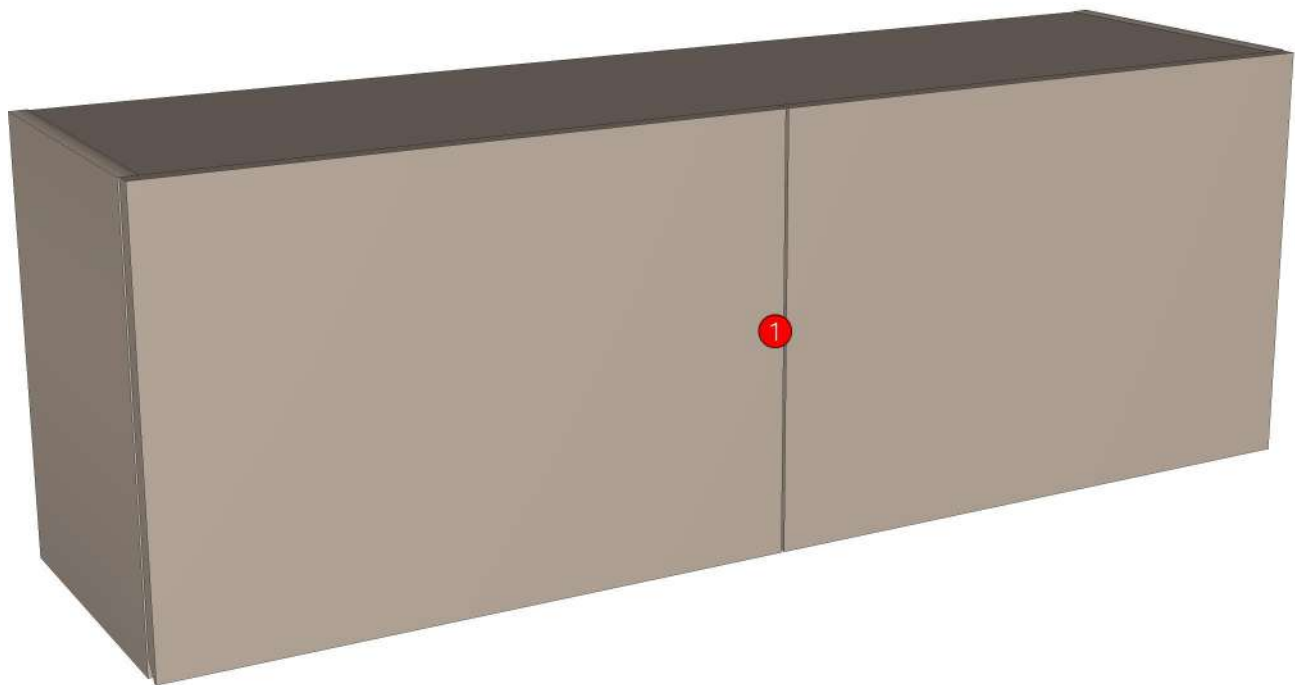
## **ESCENT\_NKW\_DW115-1150X300X400**

**Colour**  
20.01=ML.MFI599\_PEARL

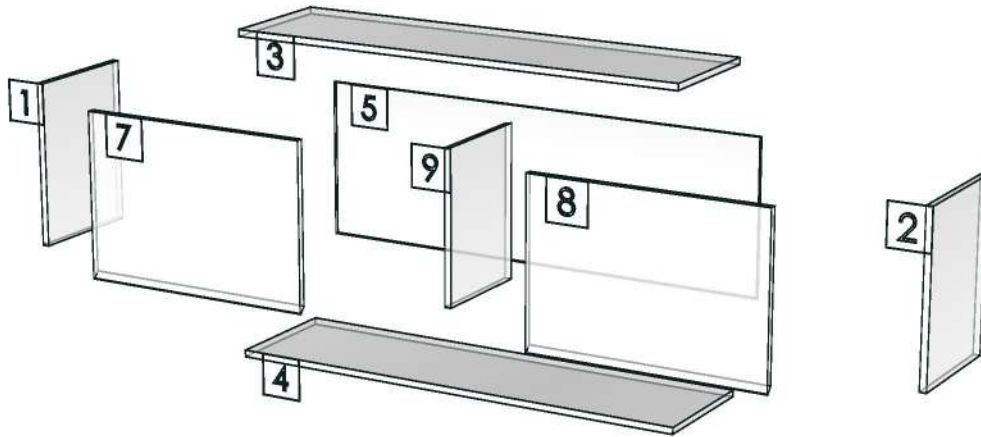
**Edge**  
01.319=1 MFI599 PEARL

<b>R&amp;D REVIEW</b>	
<input checked="" type="checkbox"/>	DWG.Customer
<input checked="" type="checkbox"/>	Work Report
<input type="checkbox"/>	Function
<input type="checkbox"/>	สินค้าตรงตัวอย่าง
ผู้ทบทวน _____	
_____	

K5R-160152102  
K7L-160152111  
K8L-160152121



<b>Model</b>	-ESCENT_NKW_DW115		
<b>Creator</b>		<b>.BCP Name</b>	INDEX_C3D_KITCHEN2
<b>Reviewer</b>		<b>Order</b>	I003778
<b>Approves</b>		<b>Date</b>	



<b>Model</b>	ESCENT_NKW_DWO115		
<b>Creator</b>	PASATHORN	<b>.BCP Name</b>	INDEX_C3D_KITCHEN2
<b>Reviewer</b>		<b>Order</b>	I003779
<b>Approves</b>		<b>Date</b>	12/12/2024

## **ESCENT\_NKW\_DWO115-1150X300X240**

**Colour**

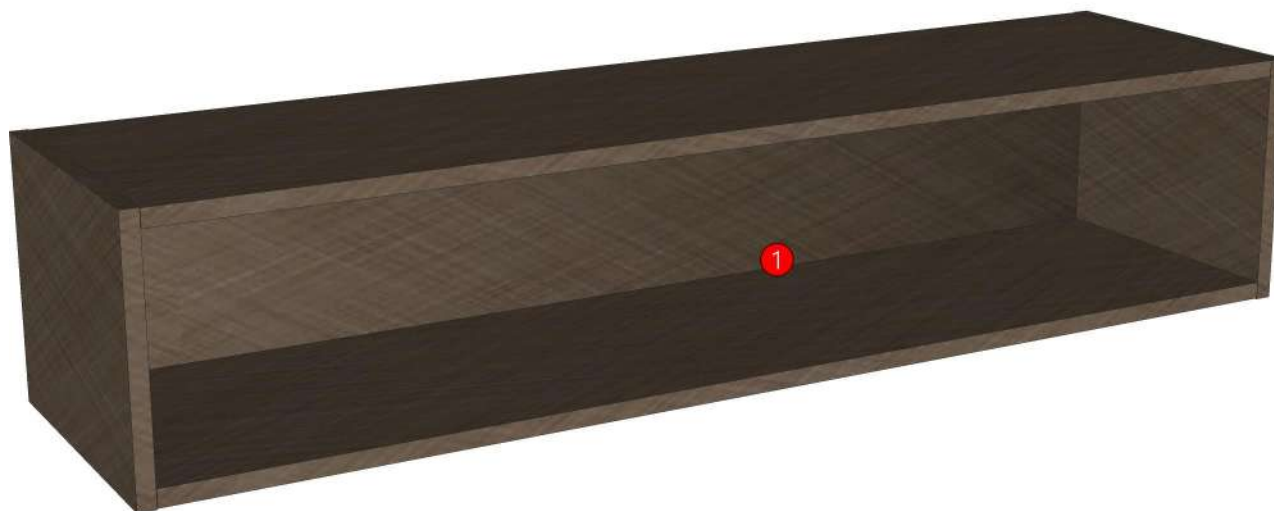
05.41=ML FOSS ZILK# BK2 (CROSS METAL)

**Edge**

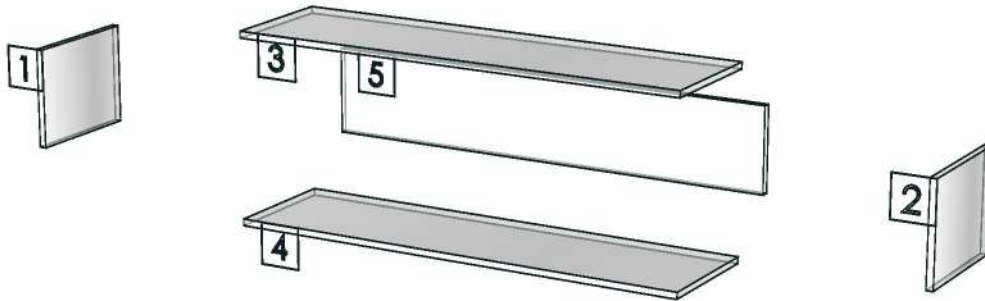
01.299=1 FOSS ZILK BK2 A1285 TH00

<b>R&amp;D REVIEW</b>	
<input checked="" type="checkbox"/>	DWG.Customer
<input checked="" type="checkbox"/>	Work Report
<input type="checkbox"/>	Function
<input type="checkbox"/>	สินค้าตรงตัวอย่าง
ผู้ทบทวน _____	
_____	

K5R-160152102  
K7L-160152111  
K8L-160152121



<b>Model</b>	-ESCENT_NKW_DWO115		
<b>Creator</b>		<b>.BCP Name</b>	INDEX_C3D_KITCHEN2
<b>Reviewer</b>		<b>Order</b>	I003779
<b>Approves</b>		<b>Date</b>	



<b>Model</b>	ESCENT_NKW_D_FLR650S		
<b>Creator</b>	PASATHORN	<b>.BCP Name</b>	INDEX_C3D_KITCHEN2
<b>Reviewer</b>		<b>Order</b>	I003763
<b>Approves</b>		<b>Date</b>	11/12/2024

## **ESCENT\_NKW\_D\_FLR650S-650X570X60**

**Colour**  
20.01=ML.MFI599\_PEARL

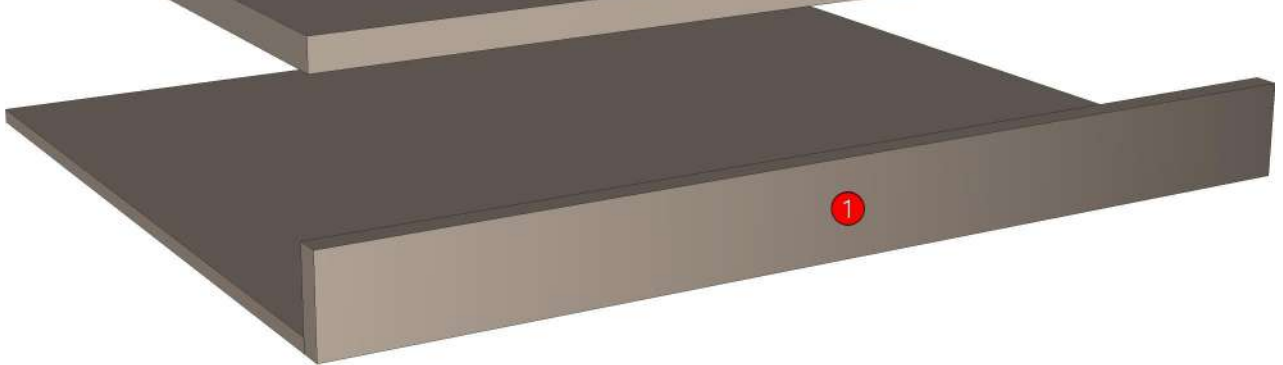
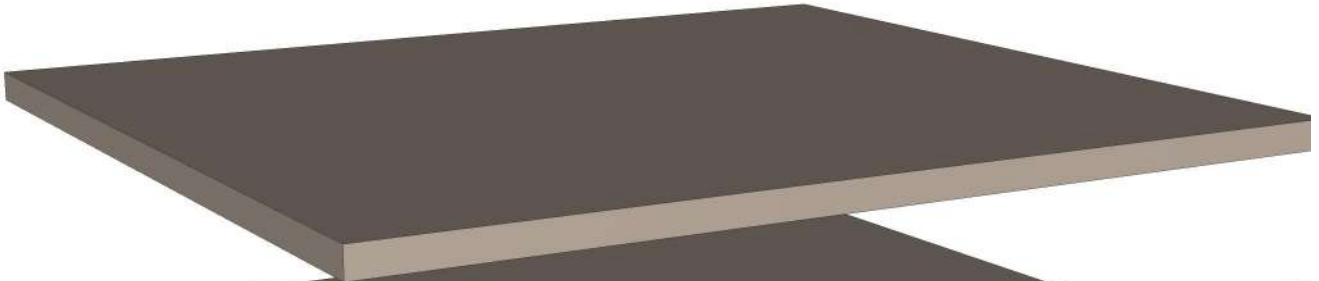
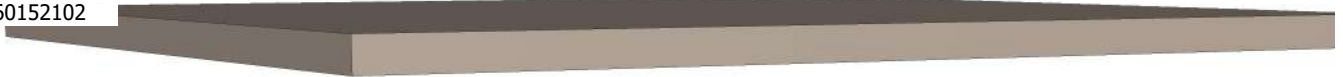
**Edge**  
01.319=1 MFI599 PEARL

<b>R&amp;D REVIEW</b>	
<input checked="" type="checkbox"/>	DWG.Customer
<input checked="" type="checkbox"/>	Work Report
<input type="checkbox"/>	Function
<input type="checkbox"/>	สินค้าตรงตัวอย่าง
ผู้ทบทวน _____	
_____	

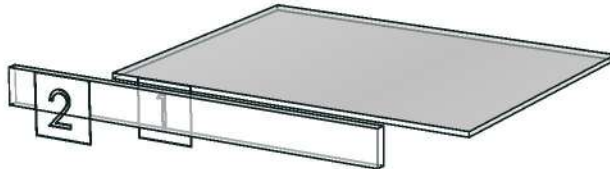
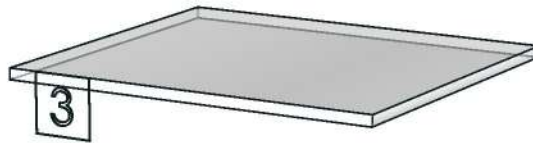
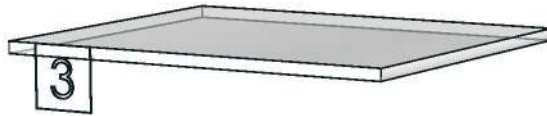
K1L-160152076  
K2L-160131628  
K2R-160152084

K4R-160152093  
K5R-160152102

K8L-160152121



<b>Model</b>	-ESCENT_NKW_D_FLR650S		
<b>Creator</b>		<b>.BCP Name</b>	INDEX_C3D_KITCHEN2
<b>Reviewer</b>		<b>Order</b>	I003763
<b>Approves</b>		<b>Date</b>	



<b>Model</b>	ESCENT_NKW_DFB		
<b>Creator</b>	PASATHORN	<b>.BCP Name</b>	INDEX_C3D_KITCHEN2
<b>Reviewer</b>		<b>Order</b>	I003760
<b>Approves</b>		<b>Date</b>	11/12/2024

## ESCENT\_NKW\_DFB-150X16X772

**Colour**

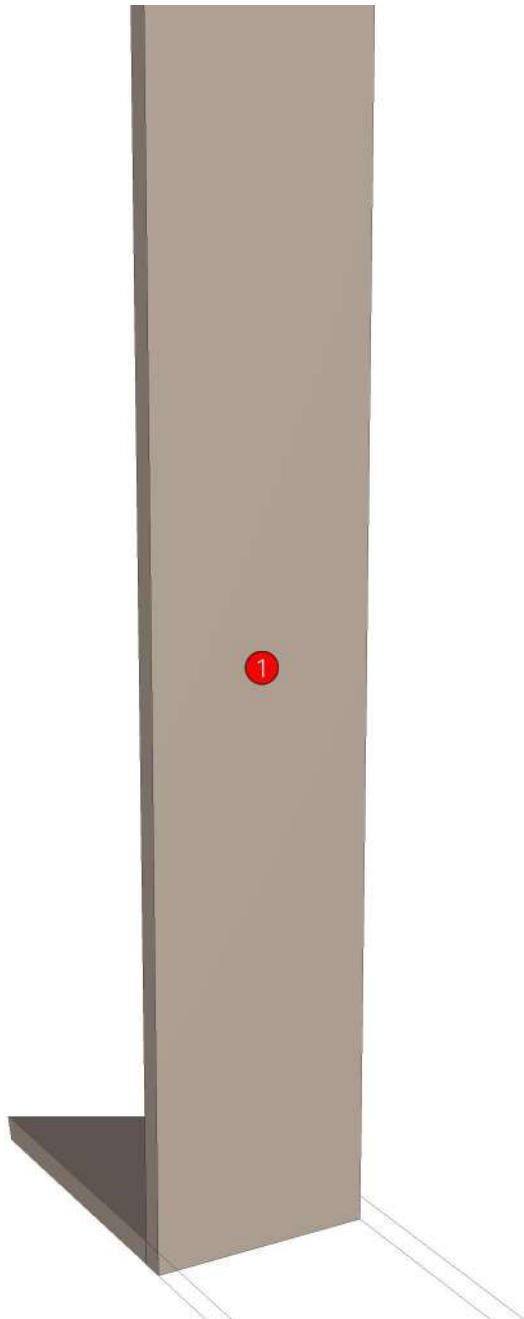
20.01=ML.MFI599\_PEARL

**Edge**

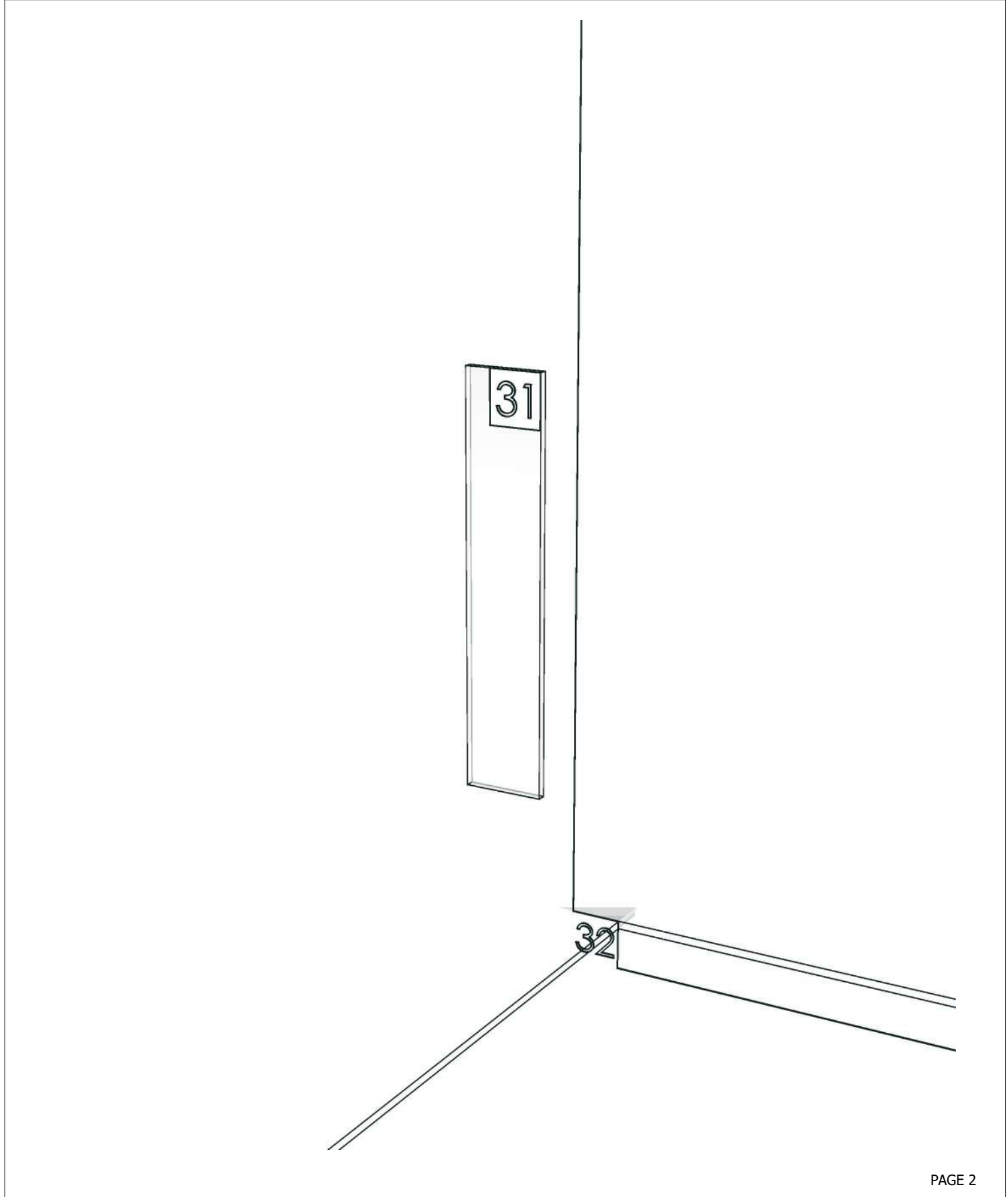
01.319=1 MFI599 PEARL

- K1L-160152076
- K2L-160131628
- K2R-160152084
- K3R-160131637
- K4R-160152093
- K5R-160152102
  
- K8L-160152121

<b>R&amp;D REVIEW</b>	
<input checked="" type="checkbox"/>	DWG.Customer
<input checked="" type="checkbox"/>	Work Report
<input type="checkbox"/>	Function
<input type="checkbox"/>	สินค้าตรงตัวอย่าง
ผู้ทบทวน _____	



<b>Model</b>	-ESCENT_NKW_DFB		
<b>Creator</b>		<b>.BCP Name</b>	INDEX_C3D_KITCHEN2
<b>Reviewer</b>		<b>Order</b>	I003760
<b>Approves</b>		<b>Date</b>	



<b>Model</b>	ESCENT_NKW_DFL		
<b>Creator</b>	PASATHORN	<b>.BCP Name</b>	INDEX_C3D_KITCHEN2
<b>Reviewer</b>		<b>Order</b>	I003761
<b>Approves</b>		<b>Date</b>	11/12/2024

## **ESCENT\_NKW\_DFL-150X16X640**

**Colour**

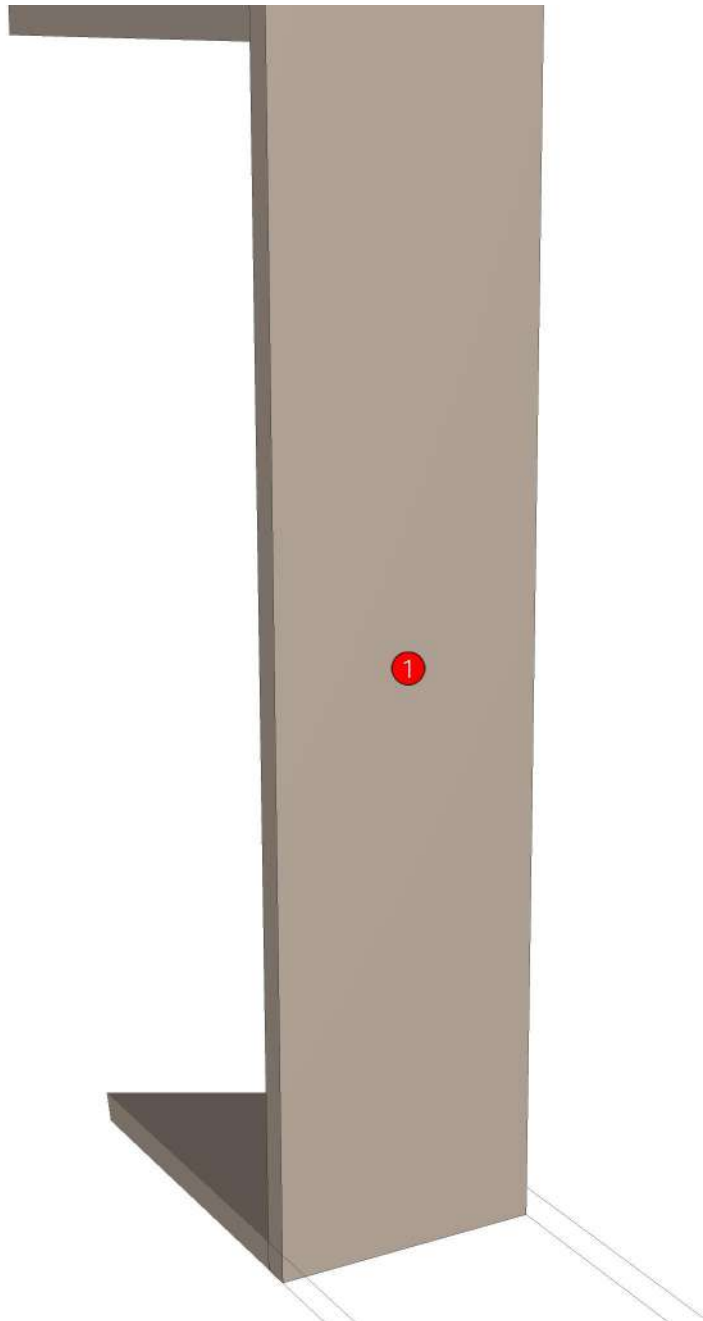
20.01=ML.MFI599\_PEARL

**Edge**

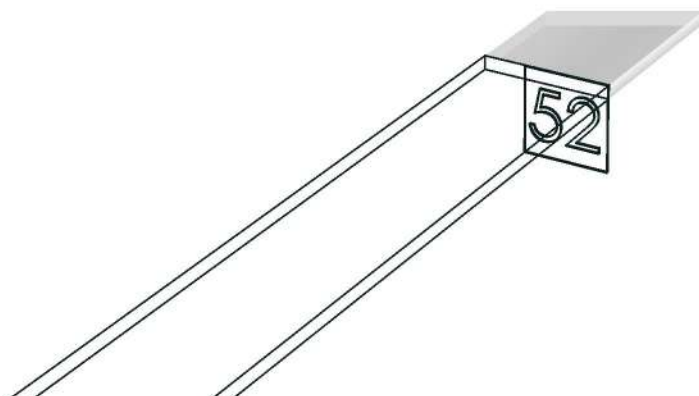
01.319=1 MFI599 PEARL

<b>R&amp;D REVIEW</b>	
<input checked="" type="checkbox"/>	DWG.Customer
<input checked="" type="checkbox"/>	Work Report
<input type="checkbox"/>	Function
<input type="checkbox"/>	สินค้าตรงตัวอย่าง
ผู้ทบทวน _____	
_____	

- K3R-160131637
- K4R-160152093
- K5R-160152102
- K7L-160152111
- K8L-160152121



<b>Model</b>	-ESCENT_NKW_DFL		
<b>Creator</b>		<b>.BCP Name</b>	INDEX_C3D_KITCHEN2
<b>Reviewer</b>		<b>Order</b>	I003761
<b>Approves</b>		<b>Date</b>	



<b>Model</b>	ESCENT_NKW_DF_CL1850		
<b>Creator</b>	PASATHORN	<b>.BCP Name</b>	INDEX_C3D_KITCHEN2
<b>Reviewer</b>		<b>Order</b>	I003759
<b>Approves</b>		<b>Date</b>	11/12/2024

## ESCENT\_NKW\_DF\_CL1850-1850X16X330

**Colour**

20.01=ML.MFI599\_PEARL

**Edge**

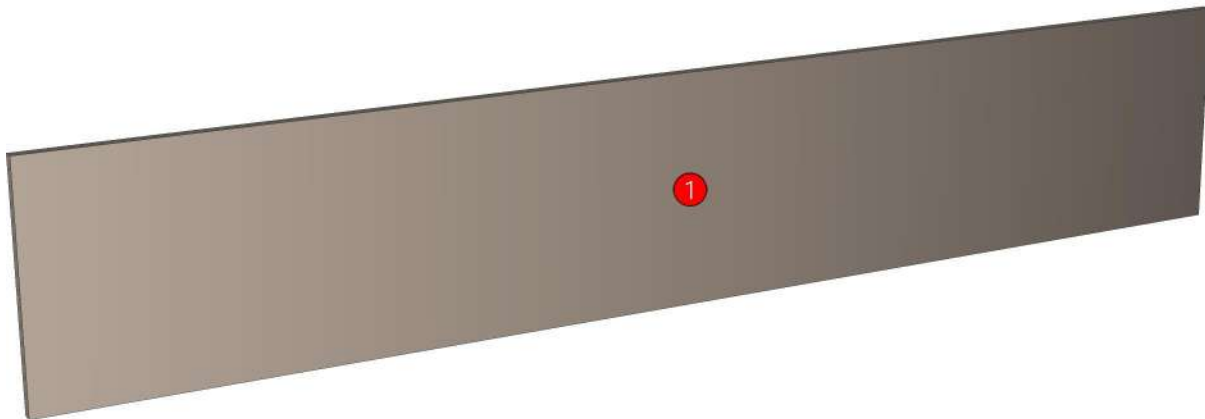
01.319=1 MFI599 PEARL

<b>R&amp;D REVIEW</b>	
<input checked="" type="checkbox"/>	DWG.Customer
<input checked="" type="checkbox"/>	Work Report
<input type="checkbox"/>	Function
<input type="checkbox"/>	สินค้าตรงตัวอย่าง
ผู้ทบทวน _____	
_____	

K5R-160152102

K7L-160152111

K8L-160152121



<b>Model</b>	ESCENT_NKW_DF_CL300		
<b>Creator</b>	PASATHORN	<b>.BCP Name</b>	INDEX_C3D_KITCHEN2
<b>Reviewer</b>		<b>Order</b>	I003755
<b>Approves</b>		<b>Date</b>	11/12/2024

## ESCENT\_NKW\_DF\_CL300-300X16X330

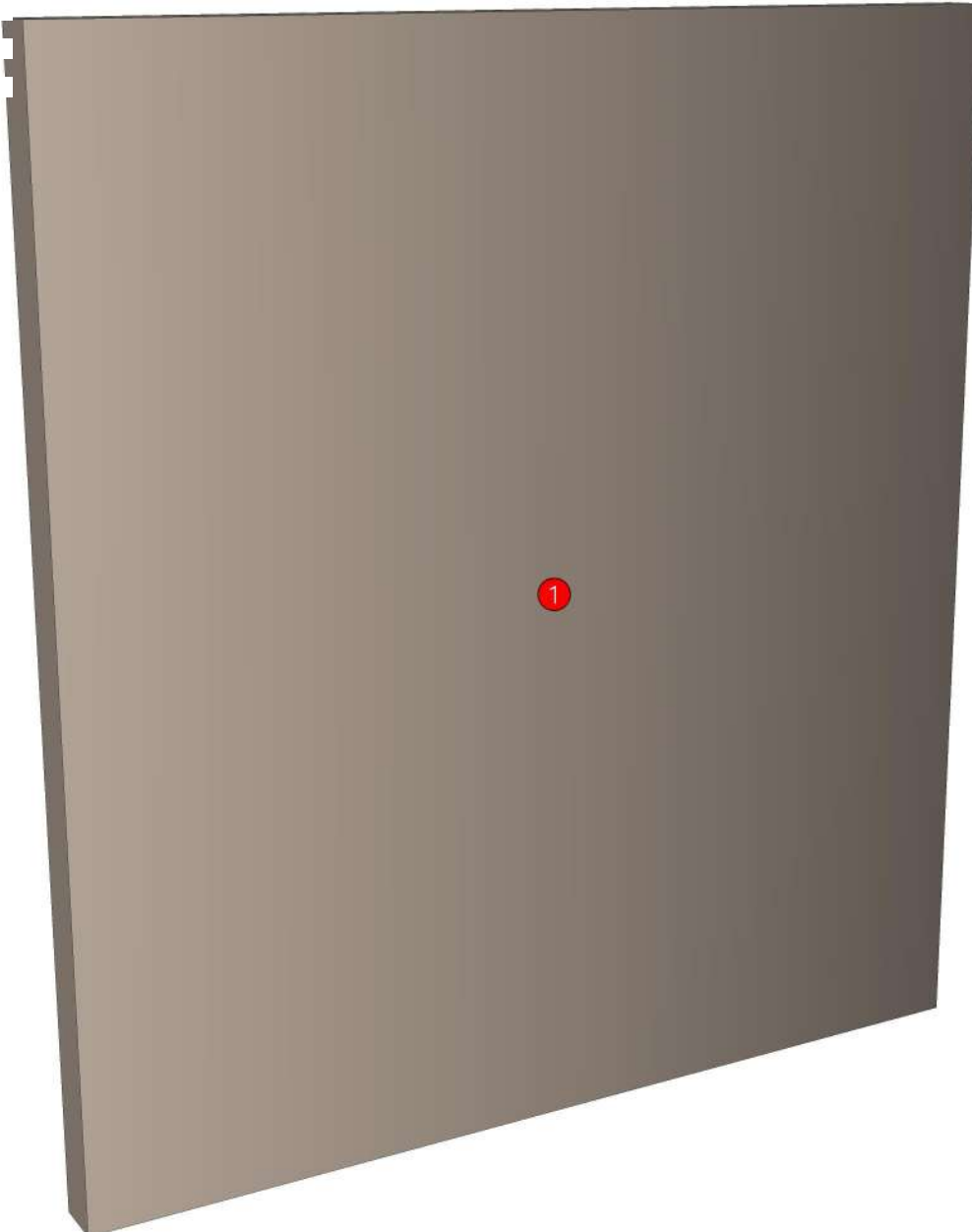
**Colour**  
20.01=ML.MFI599\_PEARL

**Edge**  
01.319=1 MFI599 PEARL

K1L-160152076

K4R-160152093  
K5R-160152102  
K7L-160152111  
K8L-160152121

<b>R&amp;D REVIEW</b>	
<input checked="" type="checkbox"/>	DWG.Customer
<input checked="" type="checkbox"/>	Work Report
<input type="checkbox"/>	Function
<input type="checkbox"/>	สินค้าตรงตัวอย่าง
ผู้ทบทวน _____	
_____	



<b>Model</b>	ESCENT_NKW_DUT1850		
<b>Creator</b>	PASATHORN	<b>.BCP Name</b>	INDEX_C3D_KITCHEN2
<b>Reviewer</b>		<b>Order</b>	I003754
<b>Approves</b>		<b>Date</b>	11/12/2024

## **ESCENT\_NKW\_DUT1850-1850X60X9**

**Colour**

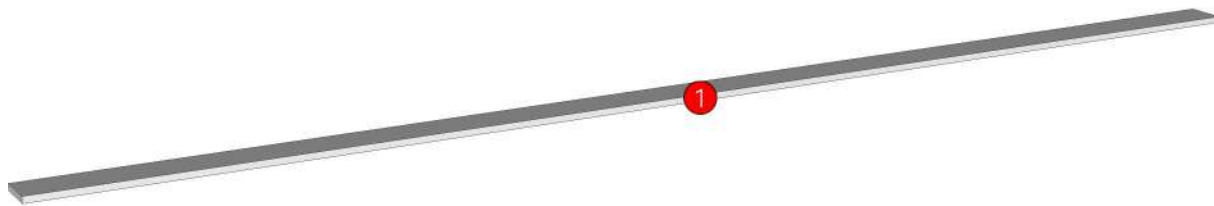
05.01=ML WHITE VM1012 18/18

**Edge**

01.47=1 WHITE

<b>R&amp;D REVIEW</b>	
<input checked="" type="checkbox"/>	DWG.Customer
<input checked="" type="checkbox"/>	Work Report
<input type="checkbox"/>	Function
<input type="checkbox"/>	สินค้าตรงตัวอย่าง
ผู้ทบทวน _____	
_____	

K5R-160152102  
K7L-160152111  
K8L-160152121



<b>Model</b>	ESCENT_NKW_DUT500		
<b>Creator</b>	PASATHORN	<b>.BCP Name</b>	INDEX_C3D_KITCHEN2
<b>Reviewer</b>		<b>Order</b>	I003751
<b>Approves</b>		<b>Date</b>	11/12/2024

## ESCENT\_NKW\_DUT500-500X60X9

**Colour**

05.01=ML WHITE VM1012 18/18

**Edge**

01.47=1 WHITE

- K1L-160152076
- K2L-160131628
- K2R-160152084
- K3R-160131637
- K4R-160152093
- K5R-160152102
- K7L-160152111
- K8L-160152121

<b>R&amp;D REVIEW</b>	
<input checked="" type="checkbox"/>	DWG.Customer
<input checked="" type="checkbox"/>	Work Report
<input type="checkbox"/>	Function
<input type="checkbox"/>	สินค้าตรงตัวอย่าง
ผู้ทบทวน _____	
_____	

