

<b>Model</b>	ESCENT_NKW_DBS50L		
<b>Creator</b>	PASATHORN	<b>.BCP Name</b>	INDEX_C3D_KITCHEN2
<b>Reviewer</b>		<b>Order</b>	I003780
<b>Approves</b>		<b>Date</b>	12/12/2024

## ESCENT\_NKW\_DBS50L-500X570X922

### Colour

20.01=ML.MFI599\_PEARL

05.41=ML FOSS ZILK# BK2 (CROSS METAL)

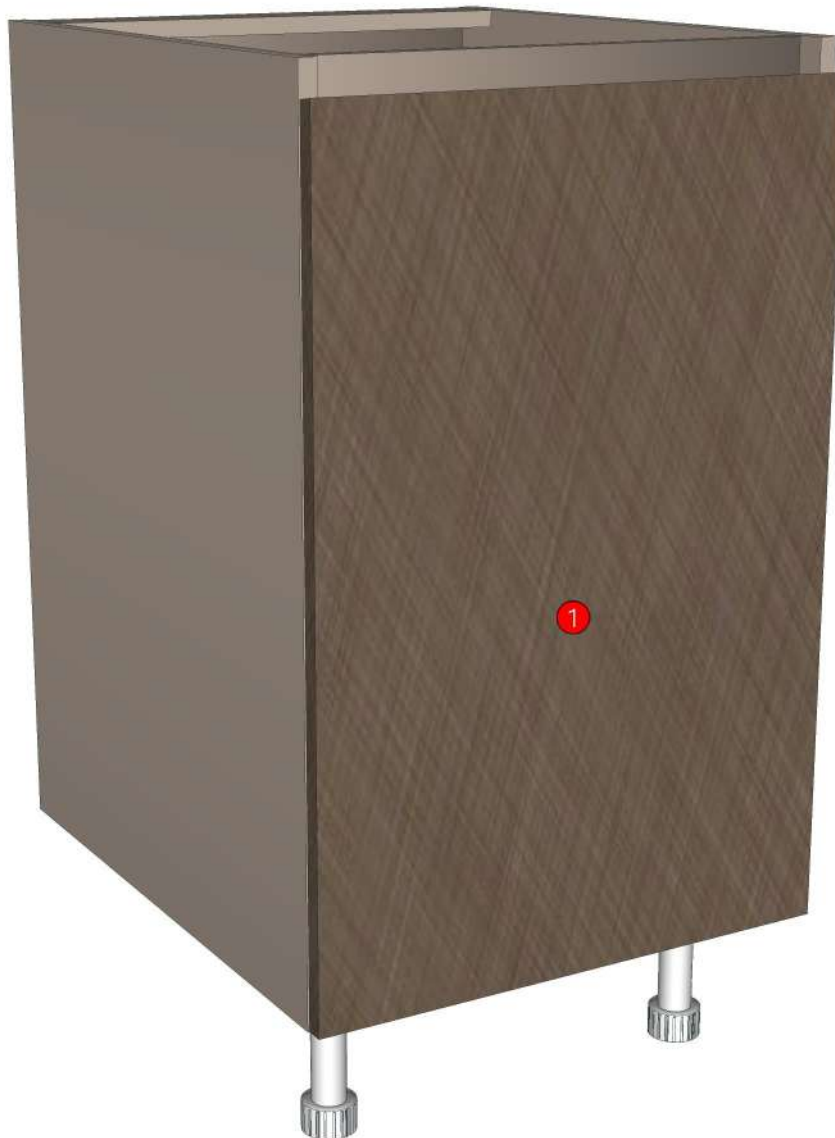
### Edge

01.319=1 MFI599 PEARL

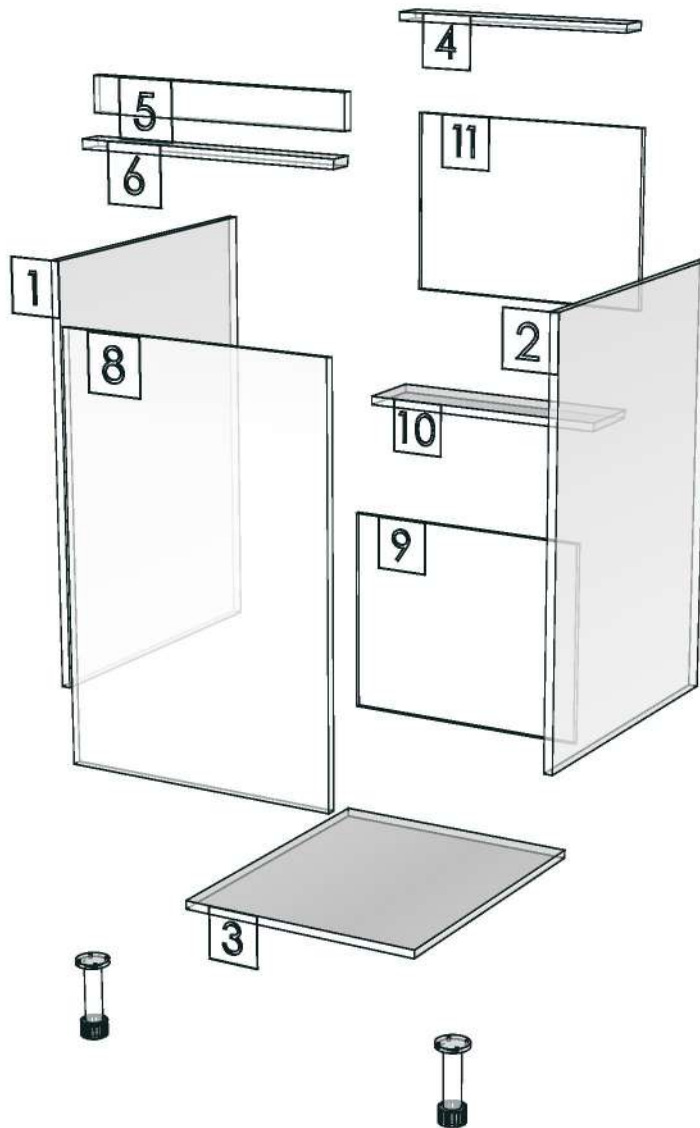
01.299=1 FOSS ZILK BK2 A1285 TH00

<b>R&amp;D REVIEW</b>	
<input checked="" type="checkbox"/>	DWG.Customer
<input checked="" type="checkbox"/>	Work Report
<input type="checkbox"/>	Function
<input type="checkbox"/>	สินค้าตรงตัวอย่าง
ผู้ทบทวน _____	
_____	

K7L-160152111



<b>Model</b>	-ESCENT_NKW_DBS50L		
<b>Creator</b>		<b>.BCP Name</b>	INDEX_C3D_KITCHEN2
<b>Reviewer</b>		<b>Order</b>	I003780
<b>Approves</b>		<b>Date</b>	



<b>Model</b>	ESCENT_NKW_DBH602GR		
<b>Creator</b>	PASATHORN	<b>.BCP Name</b>	INDEX_C3D_KITCHEN2
<b>Reviewer</b>		<b>Order</b>	I003776
<b>Approves</b>	P.SAWAI	<b>Date</b>	12/12/2024

## **ESCENT\_NKW\_DBH602GR-600X570X922**

### **Colour**

20.01=ML.MFI599\_PEARL

05.41=ML FOSS ZILK# BK2 (CROSS METAL)

### **Edge**

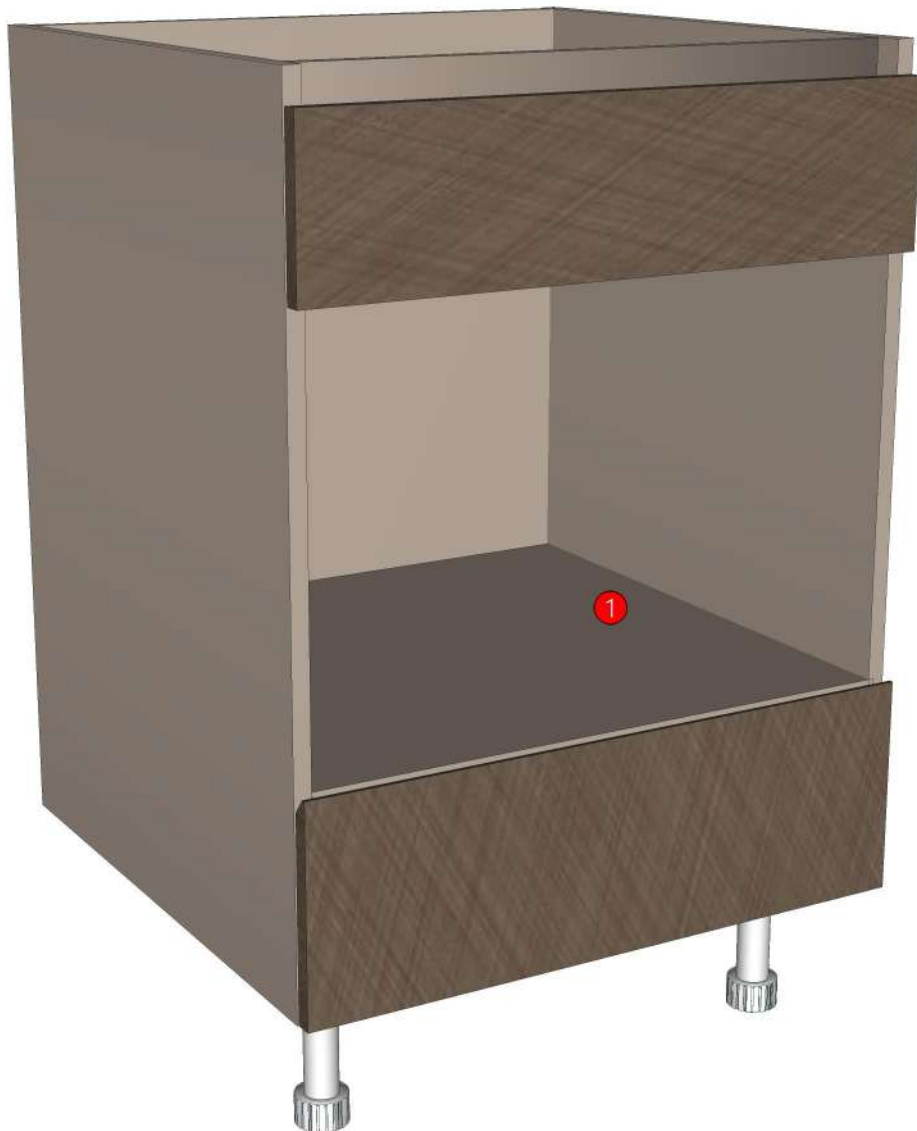
01.319=1 MFI599 PEARL

01.299=1 FOSS ZILK BK2 A1285 TH00

<b>R&amp;D REVIEW</b>	
<input checked="" type="checkbox"/>	DWG.Customer
<input checked="" type="checkbox"/>	Work Report
<input type="checkbox"/>	Function
<input type="checkbox"/>	สินค้าตรงตัวอย่าง
ผู้ทบทวน <u>P.SAWAI</u>	
<u>12/12/2024</u>	

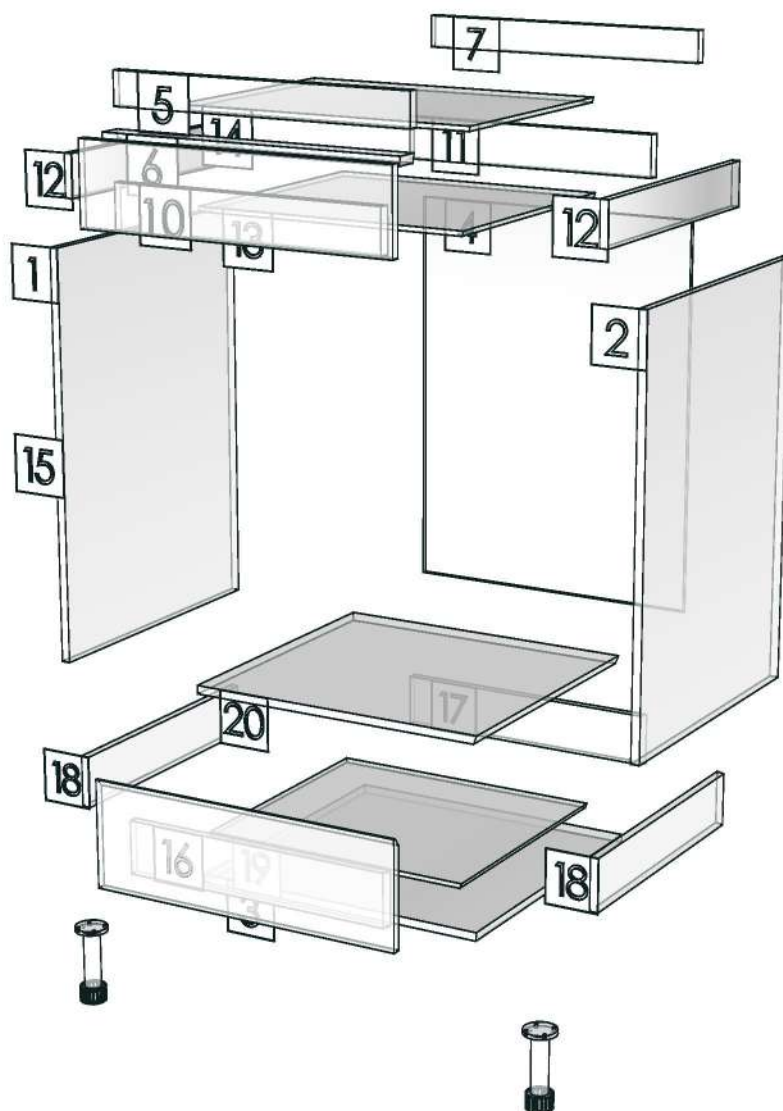
K5R-160152102

K7L-160152111



<b>Model</b>	-ESCENT_NKW_DBH602GR		
<b>Creator</b>		<b>.BCP Name</b>	INDEX_C3D_KITCHEN2
<b>Reviewer</b>		<b>Order</b>	I003776
<b>Approves</b>	P.SAWAI	<b>Date</b>	

9



<b>Model</b>	ESCENT_NKW_DBO65RS		
<b>Creator</b>	PASATHORN	<b>.BCP Name</b>	INDEX_C3D_KITCHEN2
<b>Reviewer</b>		<b>Order</b>	I003787
<b>Approves</b>	P.SAWAI	<b>Date</b>	12/12/2024

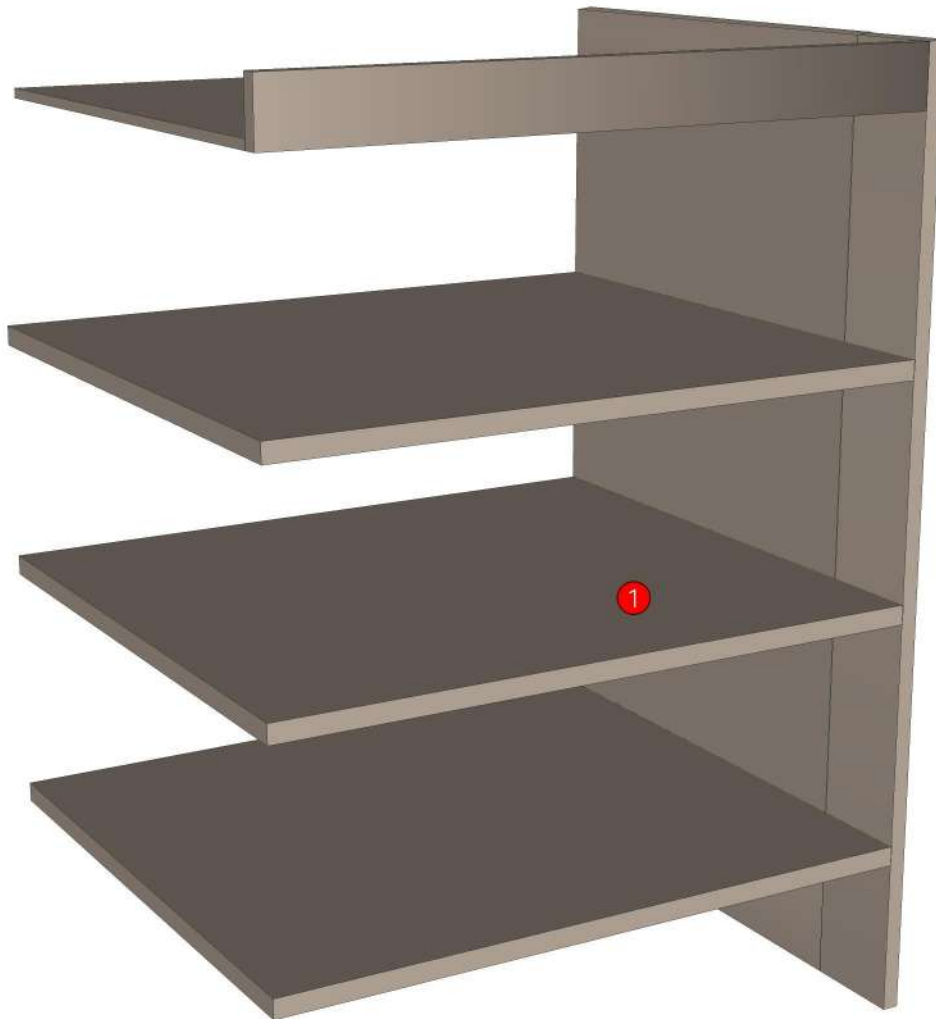
## ESCENT\_NKW\_DBO65RS-700X570X922

**Colour**  
20.01=ML.MFI599\_PEARL

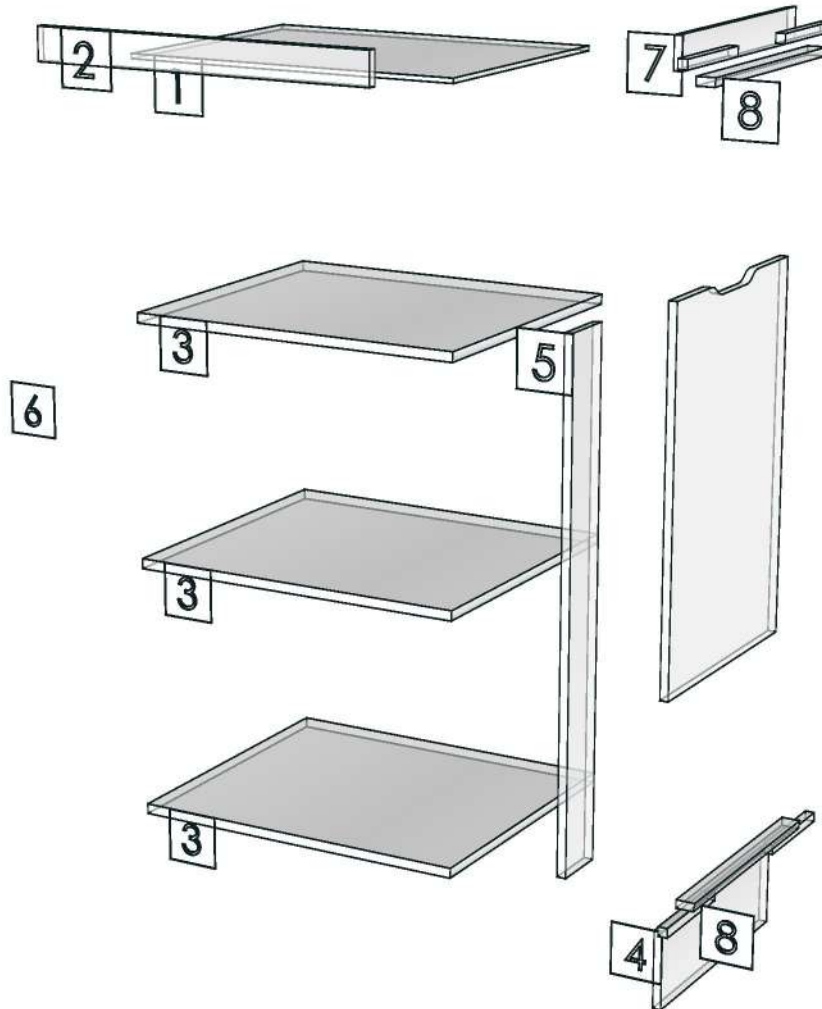
**Edge**  
01.319=1 MFI599 PEARL

<b>R&amp;D REVIEW</b>	
<input checked="" type="checkbox"/>	DWG.Customer
<input checked="" type="checkbox"/>	Work Report
<input type="checkbox"/>	Function
<input type="checkbox"/>	สินค้าตรงตัวอย่าง
ผู้ทบทวน <u>P.SAWAI</u>	
<u>12/12/2024</u>	

K7L-160152111



<b>Model</b>	-ESCENT_NKW_DBO65RS		
<b>Creator</b>		<b>.BCP Name</b>	INDEX_C3D_KITCHEN2
<b>Reviewer</b>		<b>Order</b>	I003787
<b>Approves</b>	P.SAWAI	<b>Date</b>	



<b>Model</b>	ESCENT_NKW_DL60HR		
<b>Creator</b>	PASATHORN	<b>.BCP Name</b>	INDEX_C3D_KITCHEN2
<b>Reviewer</b>		<b>Order</b>	I003767
<b>Approves</b>		<b>Date</b>	11/12/2024

## **ESCENT\_NKW\_DL60HR-600X300X600**

**Colour**

20.01=ML.MFI599\_PEARL

**Edge**

01.319=1 MFI599 PEARL

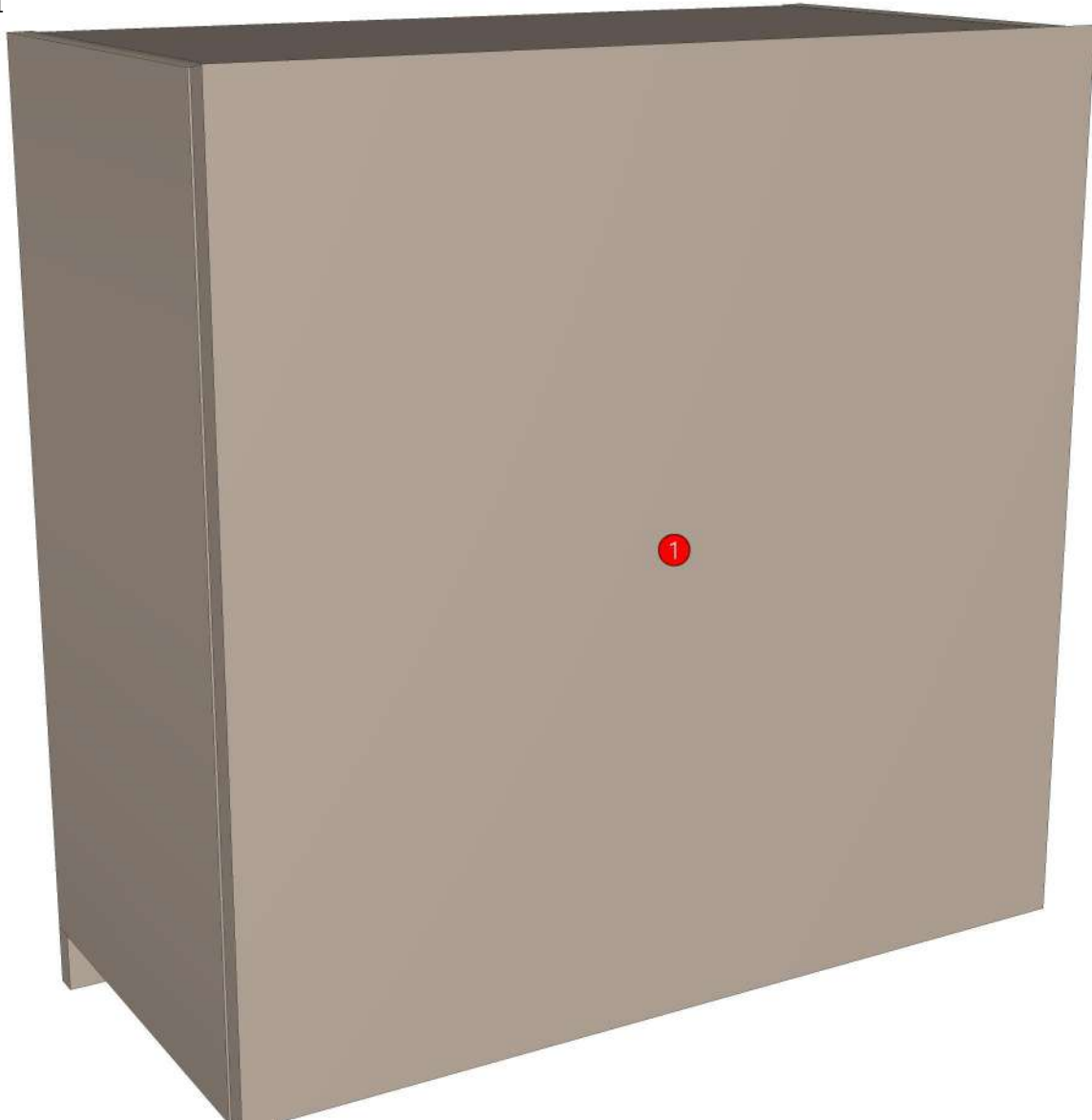
K1L-160152076

K2L-160131628

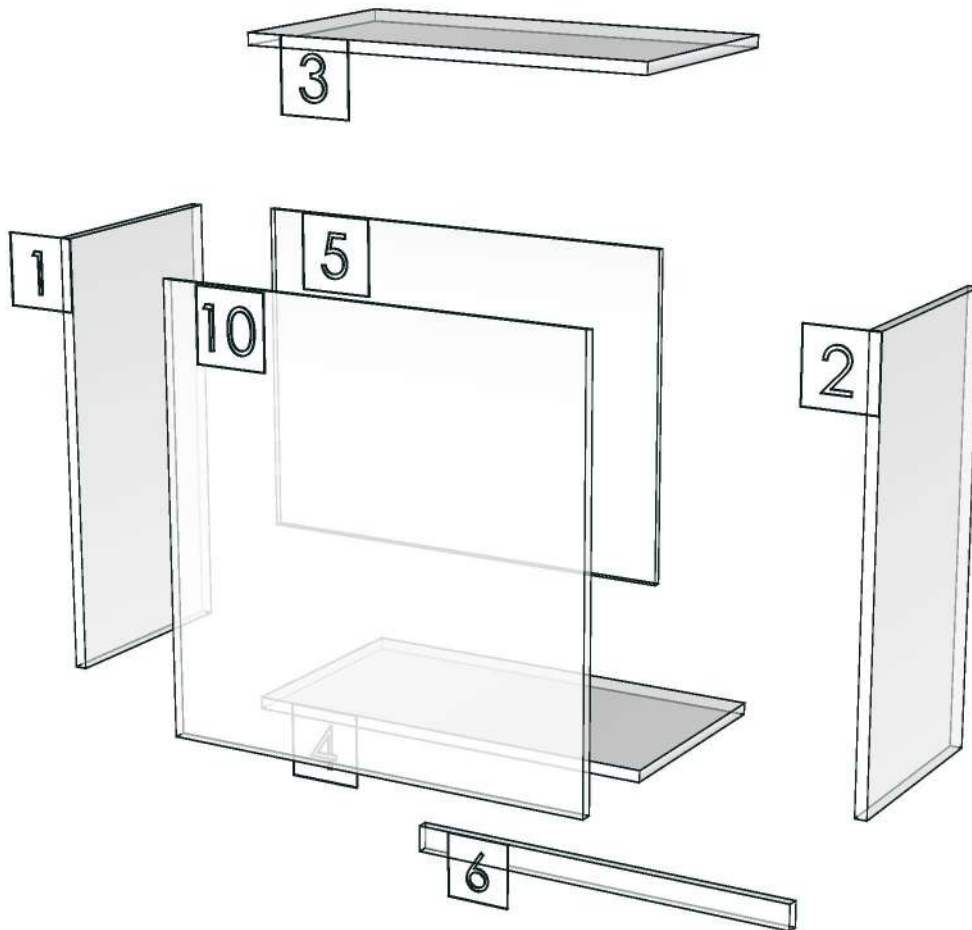
K7L-160152111

K8L-160152121

<b>R&amp;D REVIEW</b>	
<input checked="" type="checkbox"/>	DWG.Customer
<input checked="" type="checkbox"/>	Work Report
<input type="checkbox"/>	Function
<input type="checkbox"/>	สินค้าตรงตัวอย่าง
ผู้ทบทวน _____	
_____	



<b>Model</b>	-ESCENT_NKW_DL60HR		
<b>Creator</b>		<b>.BCP Name</b>	INDEX_C3D_KITCHEN2
<b>Reviewer</b>		<b>Order</b>	I003767
<b>Approves</b>		<b>Date</b>	



<b>Model</b>	ESCENT_NKW_DW115		
<b>Creator</b>	PASATHORN	<b>.BCP Name</b>	INDEX_C3D_KITCHEN2
<b>Reviewer</b>		<b>Order</b>	I003778
<b>Approves</b>		<b>Date</b>	12/12/2024

## ESCENT\_NKW\_DW115-1150X300X400

**Colour**

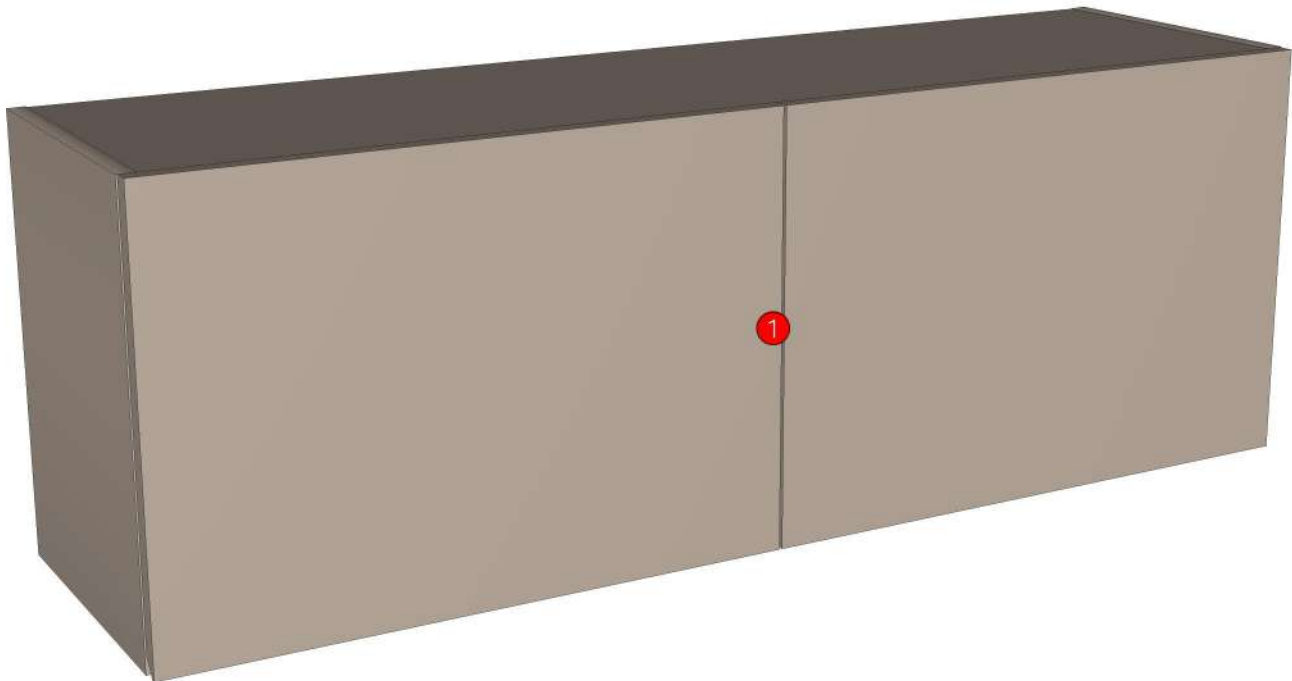
20.01=ML.MFI599\_PEARL

**Edge**

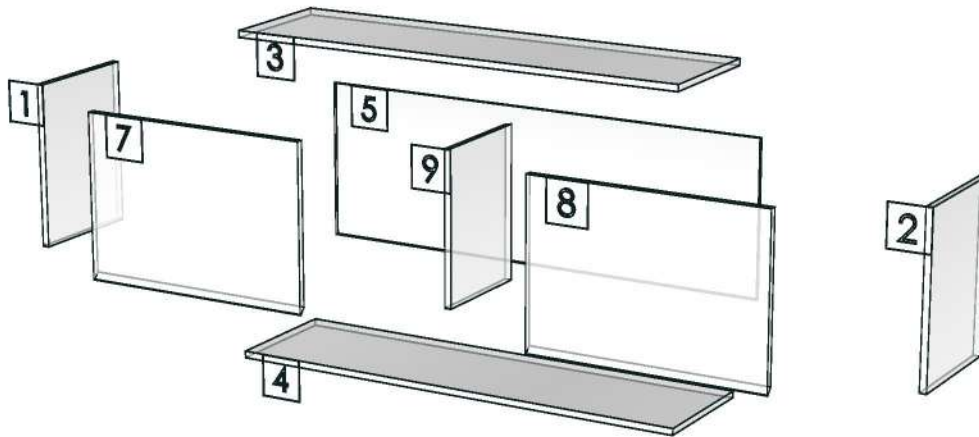
01.319=1 MFI599 PEARL

<b>R&amp;D REVIEW</b>	
<input checked="" type="checkbox"/>	DWG.Customer
<input checked="" type="checkbox"/>	Work Report
<input type="checkbox"/>	Function
<input type="checkbox"/>	สินค้าตรงตัวอย่าง
ผู้ทบทวน _____	
_____	

K5R-160152102  
K7L-160152111  
K8L-160152121



<b>Model</b>	-ESCENT_NKW_DW115		
<b>Creator</b>		<b>.BCP Name</b>	INDEX_C3D_KITCHEN2
<b>Reviewer</b>		<b>Order</b>	I003778
<b>Approves</b>		<b>Date</b>	



<b>Model</b>	ESCENT_NKW_DWO115		
<b>Creator</b>	PASATHORN	<b>.BCP Name</b>	INDEX_C3D_KITCHEN2
<b>Reviewer</b>		<b>Order</b>	I003779
<b>Approves</b>		<b>Date</b>	12/12/2024

## ESCENT\_NKW\_DWO115-1150X300X240

### Colour

05.41=ML FOSS ZILK# BK2 (CROSS METAL)

### Edge

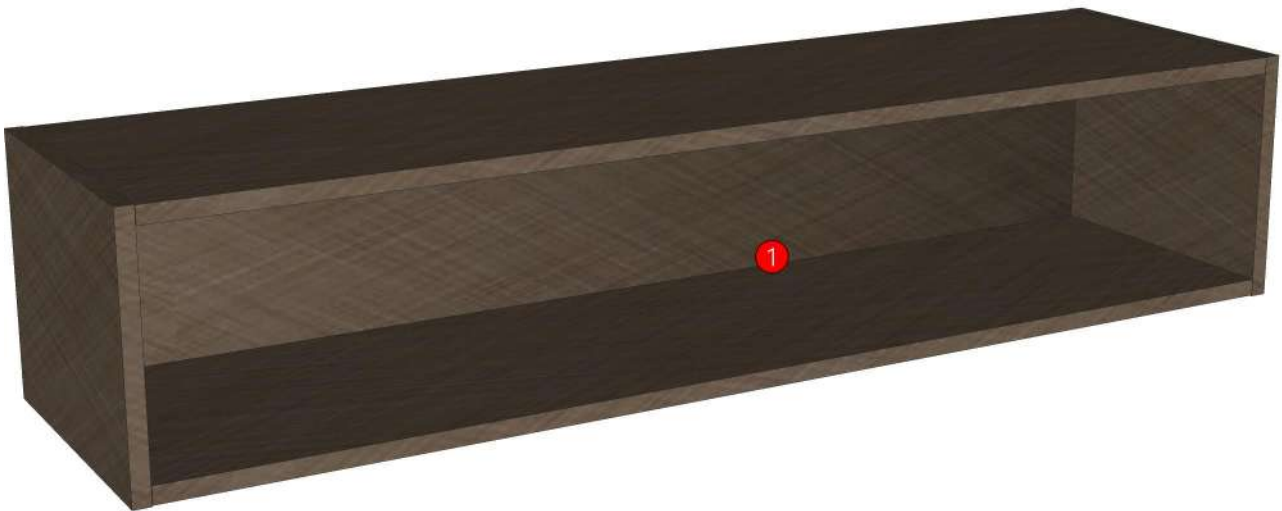
01.299=1 FOSS ZILK BK2 A1285 TH00

<b>R&amp;D REVIEW</b>	
<input checked="" type="checkbox"/>	DWG.Customer
<input checked="" type="checkbox"/>	Work Report
<input type="checkbox"/>	Function
<input type="checkbox"/>	สินค้าตรงตัวอย่าง
ผู้ทบทวน _____	
_____	

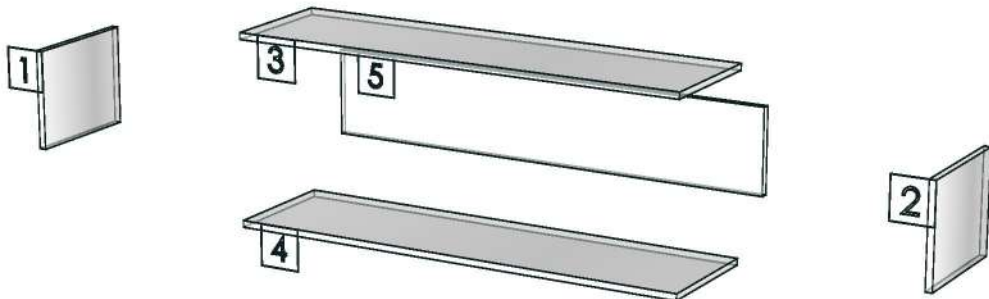
K5R-160152102

K7L-160152111

K8L-160152121



<b>Model</b>	-ESCENT_NKW_DWO115		
<b>Creator</b>		<b>.BCP Name</b>	INDEX_C3D_KITCHEN2
<b>Reviewer</b>		<b>Order</b>	I003779
<b>Approves</b>		<b>Date</b>	



<b>Model</b>	ESCENT_NKW_DFBS		
<b>Creator</b>	PASATHORN	<b>.BCP Name</b>	INDEX_C3D_KITCHEN2
<b>Reviewer</b>		<b>Order</b>	I003777
<b>Approves</b>		<b>Date</b>	12/12/2024

## ESCENT\_NKW\_DFBS-150X16X922

**Colour**

20.01=ML.MFI599\_PEARL

**Edge**

01.319=1 MFI599 PEARL

<b>R&amp;D REVIEW</b>	
<input checked="" type="checkbox"/>	DWG.Customer
<input checked="" type="checkbox"/>	Work Report
<input type="checkbox"/>	Function
<input type="checkbox"/>	สินค้าตรงตัวอย่าง
ผู้ทบทวน _____	
_____	

K7L-160152111



<b>Model</b>	ESCENT_NKW_DFL		
<b>Creator</b>	PASATHORN	<b>.BCP Name</b>	INDEX_C3D_KITCHEN2
<b>Reviewer</b>		<b>Order</b>	I003761
<b>Approves</b>		<b>Date</b>	11/12/2024

## ESCENT\_NKW\_DFL-150X16X640

### Colour

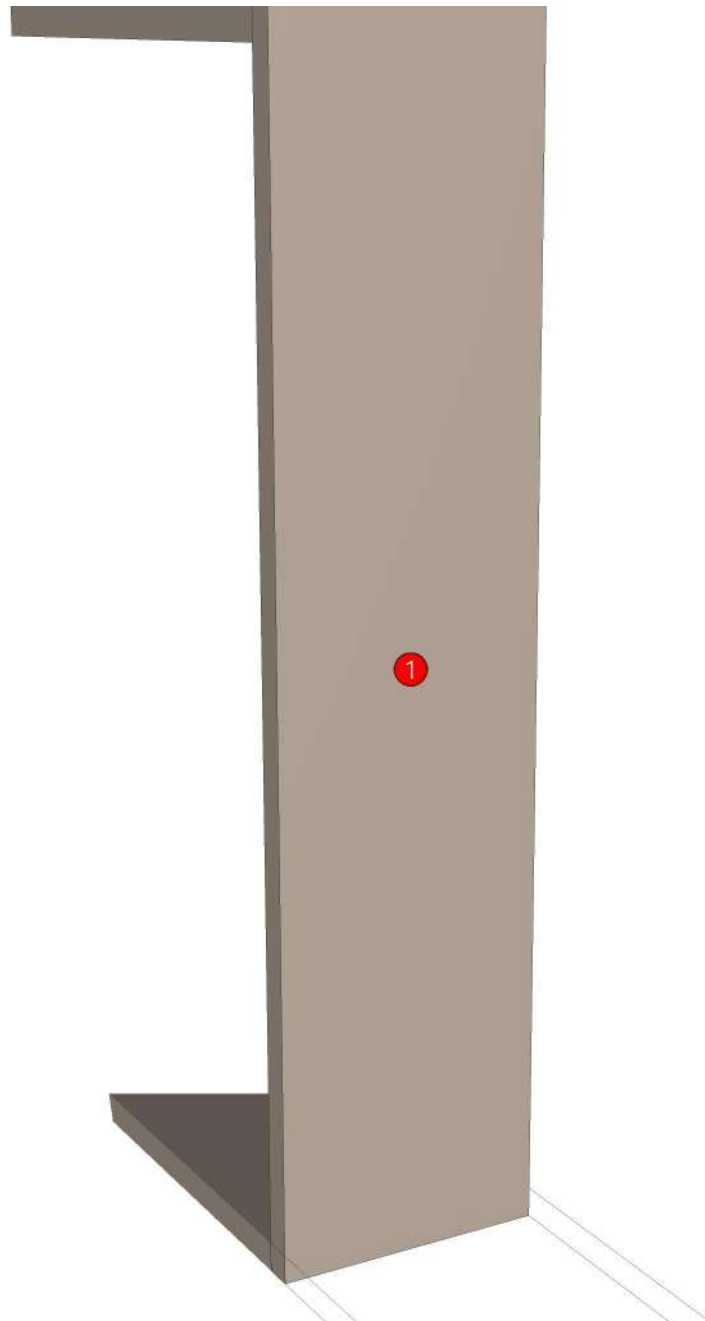
20.01=ML.MFI599\_PEARL

### Edge

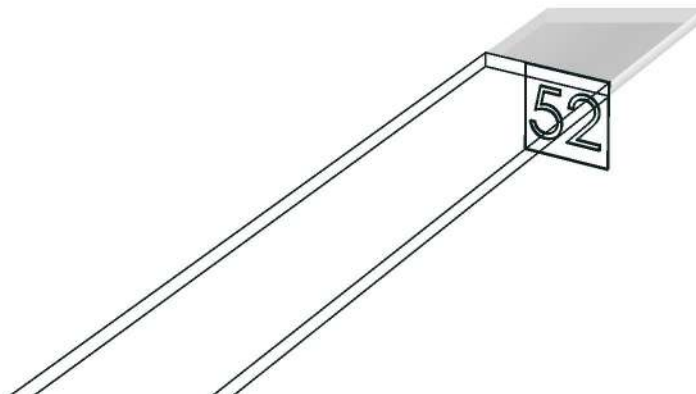
01.319=1 MFI599 PEARL

<b>R&amp;D REVIEW</b>	
<input checked="" type="checkbox"/>	DWG.Customer
<input checked="" type="checkbox"/>	Work Report
<input type="checkbox"/>	Function
<input type="checkbox"/>	สินค้าตรงตัวอย่าง
ผู้ทบทวน _____	
_____	

K3R-160131637  
K4R-160152093  
K5R-160152102  
K7L-160152111  
K8L-160152121



<b>Model</b>	-ESCENT_NKW_DFL		
<b>Creator</b>		<b>.BCP Name</b>	INDEX_C3D_KITCHEN2
<b>Reviewer</b>		<b>Order</b>	I003761
<b>Approves</b>		<b>Date</b>	



<b>Model</b>	ESCENT_NKW_DF_CL1850		
<b>Creator</b>	PASATHORN	<b>.BCP Name</b>	INDEX_C3D_KITCHEN2
<b>Reviewer</b>		<b>Order</b>	I003759
<b>Approves</b>		<b>Date</b>	11/12/2024

## **ESCENT\_NKW\_DF\_CL1850-1850X16X330**

**Colour**

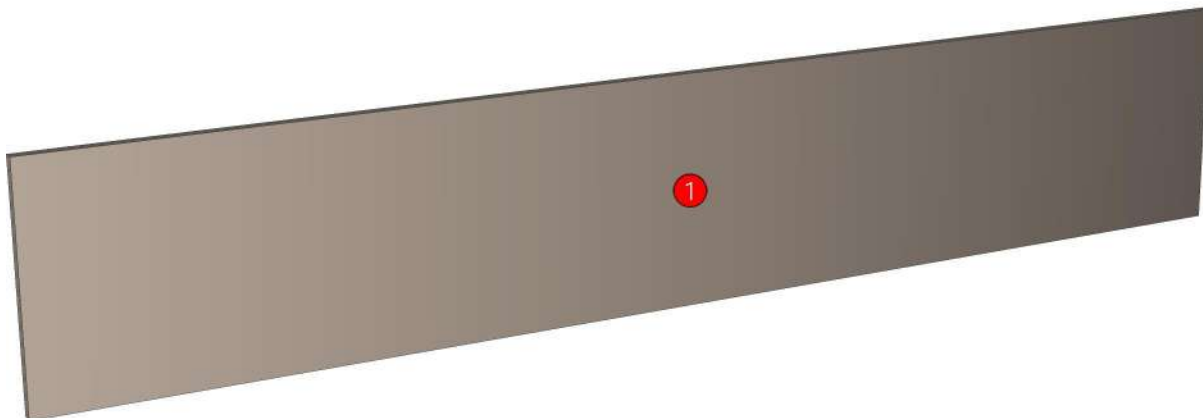
20.01=ML.MFI599\_PEARL

**Edge**

01.319=1 MFI599 PEARL

<b>R&amp;D REVIEW</b>	
<input checked="" type="checkbox"/>	DWG.Customer
<input checked="" type="checkbox"/>	Work Report
<input type="checkbox"/>	Function
<input type="checkbox"/>	สินค้าตรงตัวอย่าง
ผู้ทบทวน _____	
_____	

K5R-160152102  
K7L-160152111  
K8L-160152121



<b>Model</b>	ESCENT_NKW_DF_CL300		
<b>Creator</b>	PASATHORN	<b>.BCP Name</b>	INDEX_C3D_KITCHEN2
<b>Reviewer</b>		<b>Order</b>	I003755
<b>Approves</b>		<b>Date</b>	11/12/2024

## ESCENT\_NKW\_DF\_CL300-300X16X330

**Colour**  
20.01=ML.MFI599\_PEARL

**Edge**  
01.319=1 MFI599 PEARL

K1L-160152076

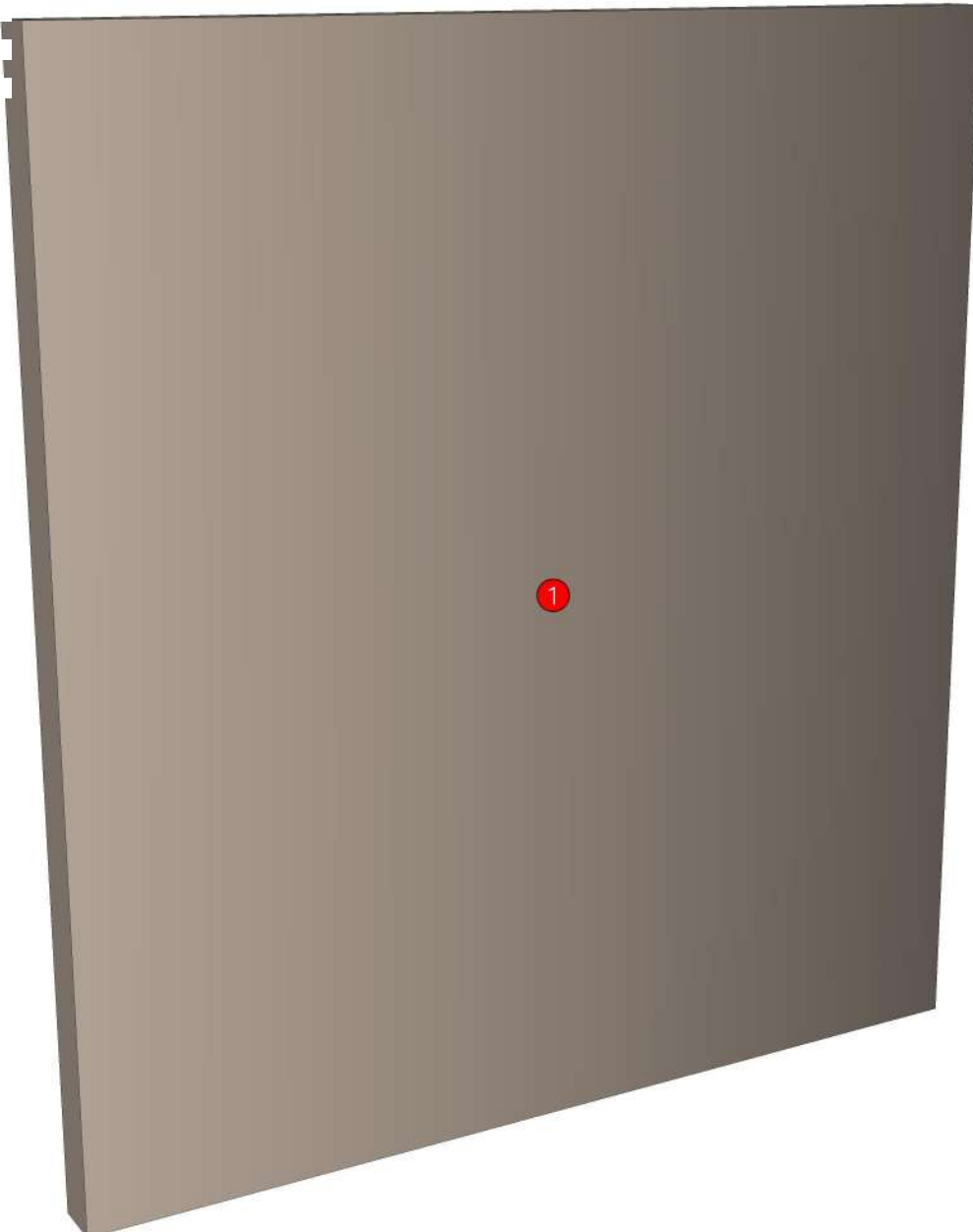
K4R-160152093

K5R-160152102

K7L-160152111

K8L-160152121

<b>R&amp;D REVIEW</b>	
<input checked="" type="checkbox"/>	DWG.Customer
<input checked="" type="checkbox"/>	Work Report
<input type="checkbox"/>	Function
<input type="checkbox"/>	สินค้าตรงตัวอย่าง
ผู้ทบทวน _____	
_____	



<b>Model</b>	ESCENT_NKW_DUT1850		
<b>Creator</b>	PASATHORN	<b>.BCP Name</b>	INDEX_C3D_KITCHEN2
<b>Reviewer</b>		<b>Order</b>	I003754
<b>Approves</b>		<b>Date</b>	11/12/2024

## **ESCENT\_NKW\_DUT1850-1850X60X9**

**Colour**

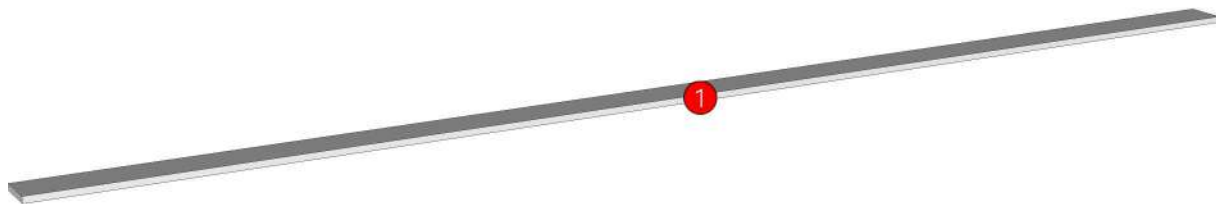
05.01=ML WHITE VM1012 18/18

**Edge**

01.47=1 WHITE

<b>R&amp;D REVIEW</b>	
<input checked="" type="checkbox"/>	DWG.Customer
<input checked="" type="checkbox"/>	Work Report
<input type="checkbox"/>	Function
<input type="checkbox"/>	สินค้าตรงตัวอย่าง
ผู้ทบทวน _____	
_____	

K5R-160152102  
K7L-160152111  
K8L-160152121



<b>Model</b>	ESCENT_NKW_DUT500		
<b>Creator</b>	PASATHORN	<b>.BCP Name</b>	INDEX_C3D_KITCHEN2
<b>Reviewer</b>		<b>Order</b>	I003751
<b>Approves</b>		<b>Date</b>	11/12/2024

## **ESCENT\_NKW\_DUT500-500X60X9**

**Colour**

05.01=ML WHITE VM1012 18/18

**Edge**

01.47=1 WHITE

- K1L-160152076
- K2L-160131628
- K2R-160152084
- K3R-160131637
- K4R-160152093
- K5R-160152102
- K7L-160152111
- K8L-160152121

<b>R&amp;D REVIEW</b>	
<input checked="" type="checkbox"/>	DWG.Customer
<input checked="" type="checkbox"/>	Work Report
<input type="checkbox"/>	Function
<input type="checkbox"/>	สินค้าตรงตัวอย่าง
ผู้ทบทวน _____	
_____	

