

Model	ESCENT_NKW_DBS50RGL		
Creator	PASATHORN	.BCP Name	INDEX_C3D_KITCHEN2
Reviewer		Order	I003773
Approves		Date	11/12/2024

ESCENT_NKW_DBS50RGL-500X570X922

Colour

20.01=ML.MFI599_PEARL

05.41=ML FOSS ZILK# BK2 (CROSS METAL)

Edge

01.319=1 MFI599 PEARL

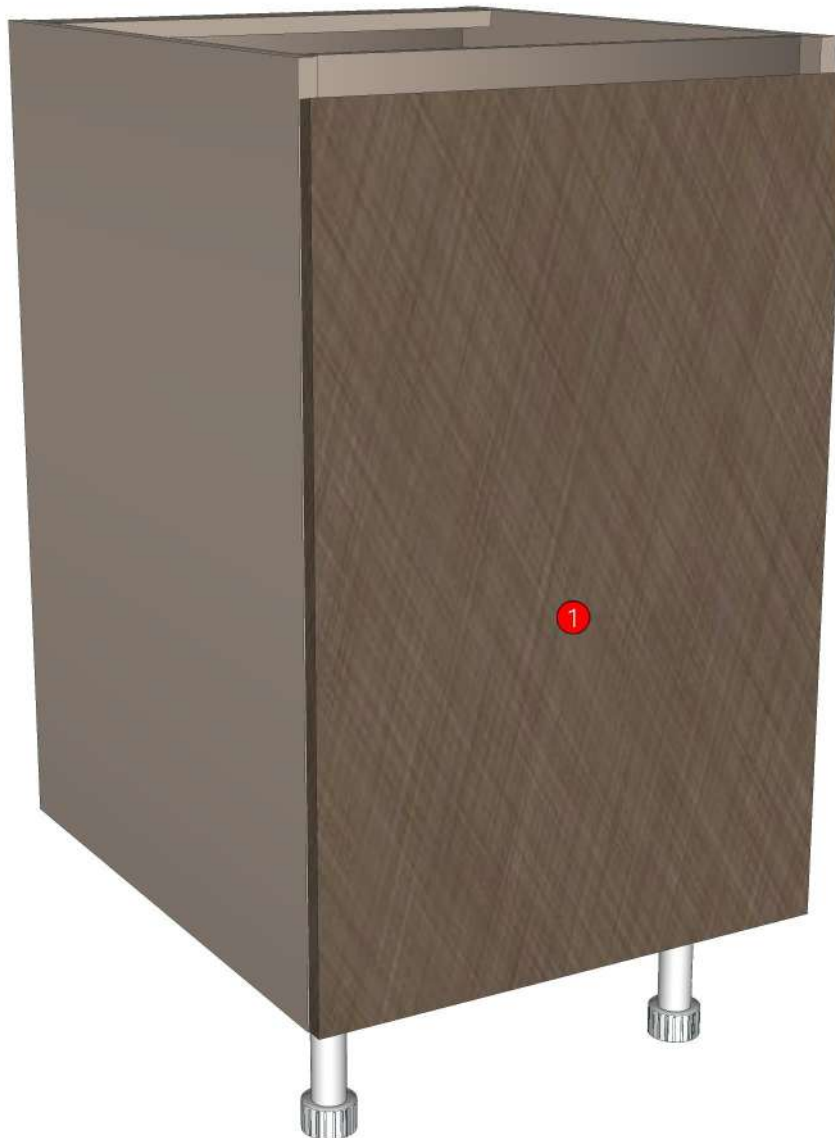
01.299=1 FOSS ZILK BK2 A1285 TH00

R&D REVIEW	
<input checked="" type="checkbox"/>	DWG.Customer
<input checked="" type="checkbox"/>	Work Report
<input type="checkbox"/>	Function
<input type="checkbox"/>	สินค้าตรงตัวอย่าง
ผู้ทบทวน _____	

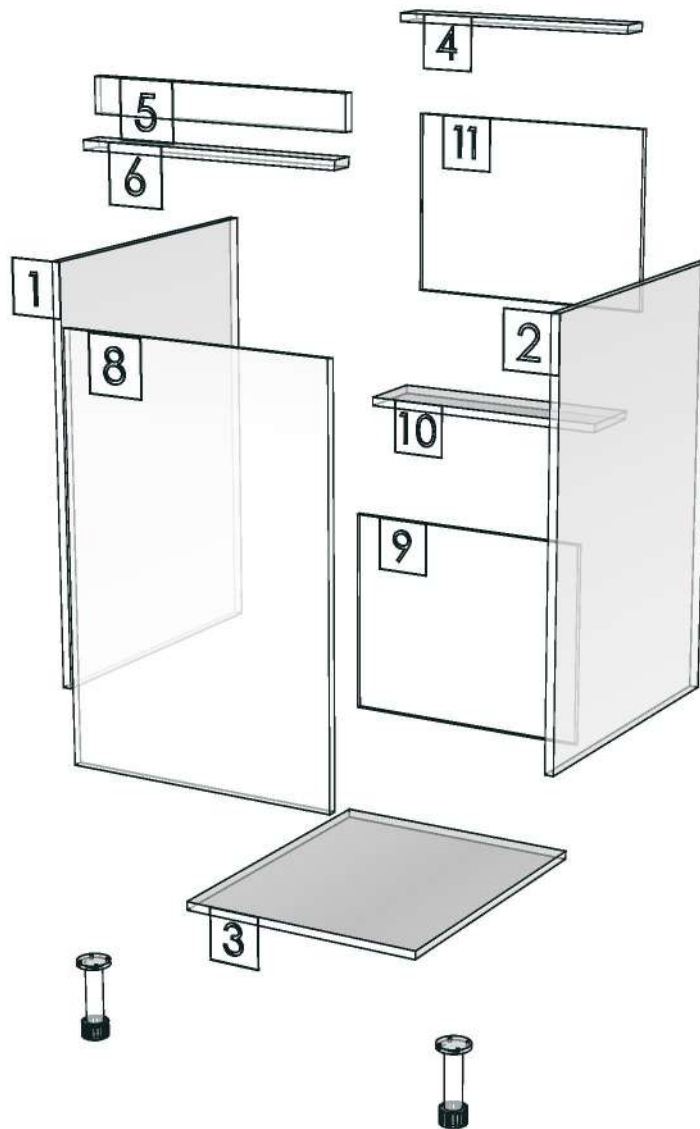
K2R-160152084

K4R-160152093

K5R-160152102



Model	-ESCENT_NKW_DBS50RGL		
Creator		.BCP Name	INDEX_C3D_KITCHEN2
Reviewer		Order	I003773
Approves		Date	



Model	ESCENT_NKW_DB301LGRSR		
Creator	PASATHORN	.BCP Name	INDEX_C3D_KITCHEN2
Reviewer		Order	I003774
Approves		Date	11/12/2024

ESCENT_NKW_DB301LGRSR-300X570X922

Colour

20.01=ML.MFI599_PEARL
05.41=ML FOSS ZILK# BK2 (CROSS METAL)

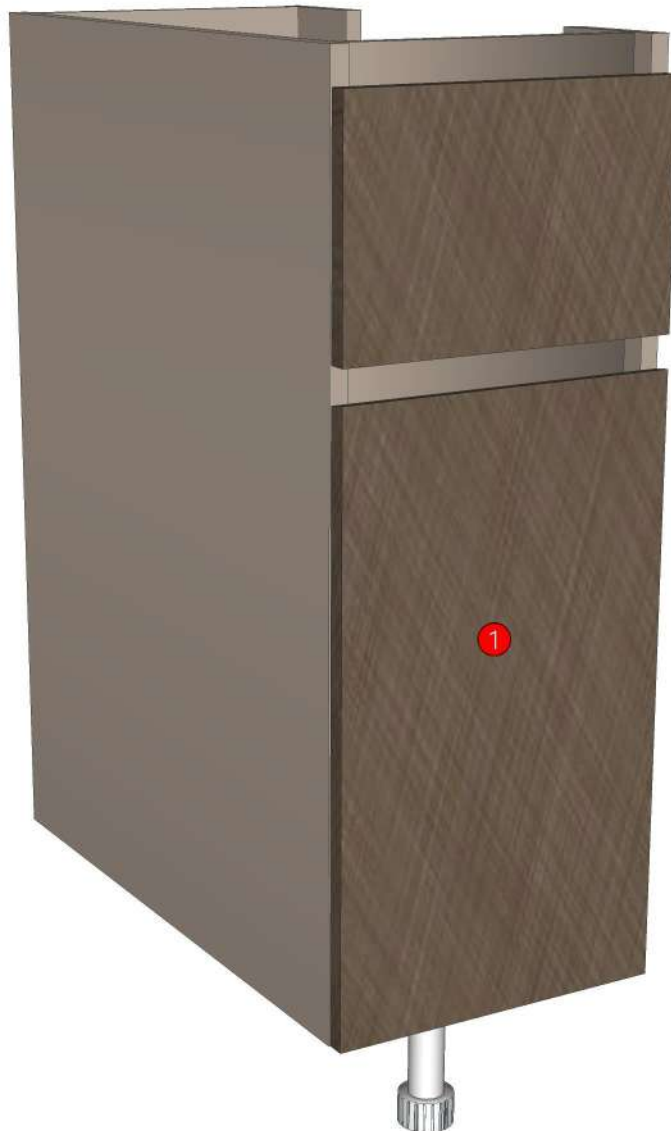
Edge

01.319=1 MFI599 PEARL
01.299=1 FOSS ZILK BK2 A1285 TH00

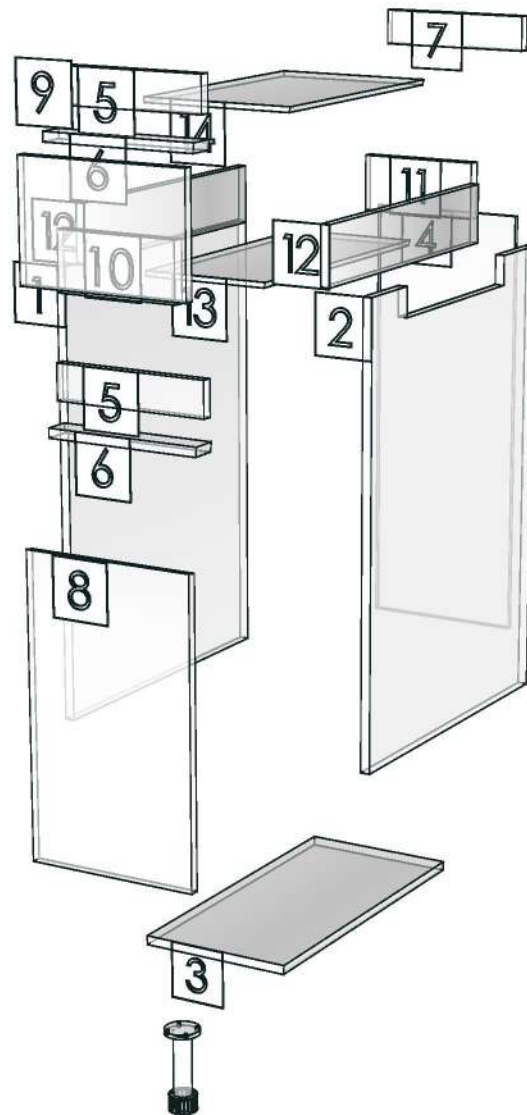
K2R-160152084

K4R-160152093

R&D REVIEW	
<input checked="" type="checkbox"/>	DWG.Customer
<input checked="" type="checkbox"/>	Work Report
<input type="checkbox"/>	Function
<input type="checkbox"/>	สินค้าตรงตัวอย่าง
ผู้ทบทวน _____	



Model	-ESCENT_NKW_DB301LGRSR		
Creator		.BCP Name	INDEX_C3D_KITCHEN2
Reviewer		Order	I003774
Approves		Date	



Model	ESCENT_NKW_DLMV60R		
Creator	PASATHORN	.BCP Name	INDEX_C3D_KITCHEN2
Reviewer		Order	I003768
Approves		Date	11/12/2024

ESCENT_NKW_DLMV60R-600X350X800

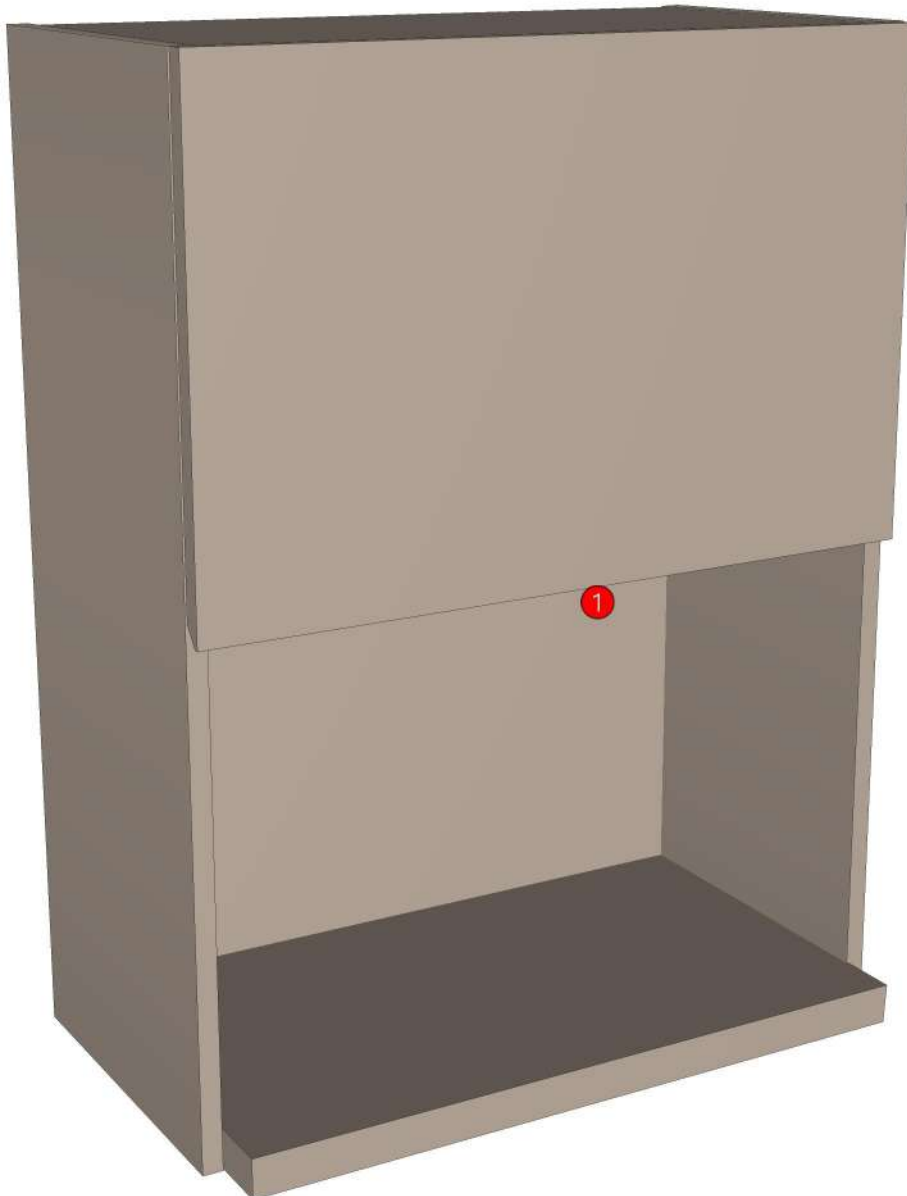
Colour
20.01=ML.MFI599_PEARL

Edge
01.319=1 MFI599 PEARL

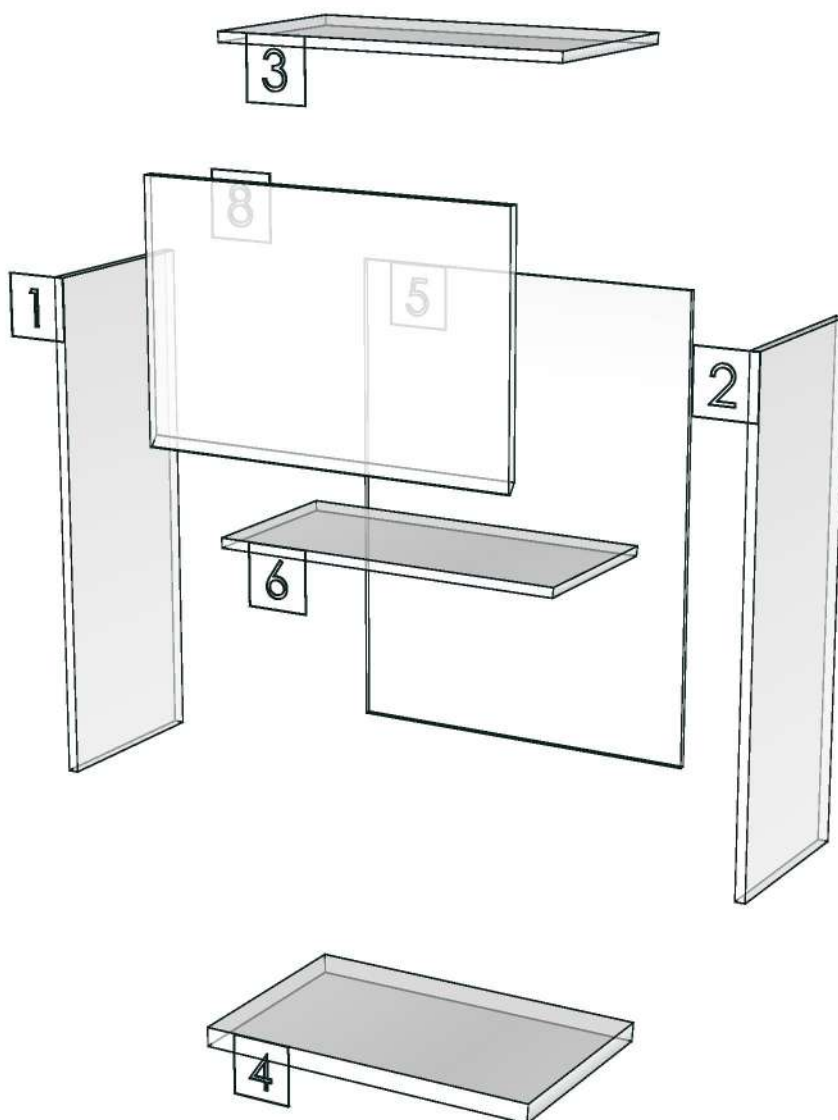
K2R-160152084

K4R-160152093

R&D REVIEW	
<input checked="" type="checkbox"/>	DWG.Customer
<input checked="" type="checkbox"/>	Work Report
<input type="checkbox"/>	Function
<input type="checkbox"/>	สินค้าตรงตัวอย่าง
ผู้ทบทวน _____	



Model	-ESCENT_NKW_DLMV60R		
Creator		.BCP Name	INDEX_C3D_KITCHEN2
Reviewer		Order	I003768
Approves		Date	



Model	ESCENT_NKW_DL25L		
Creator	PASATHORN	.BCP Name	INDEX_C3D_KITCHEN2
Reviewer		Order	I003764
Approves		Date	11/12/2024

ESCENT_NKW_DL25L-250X300X640

Colour

20.01=ML.MFI599_PEARL

Edge

01.319=1 MFI599 PEARL

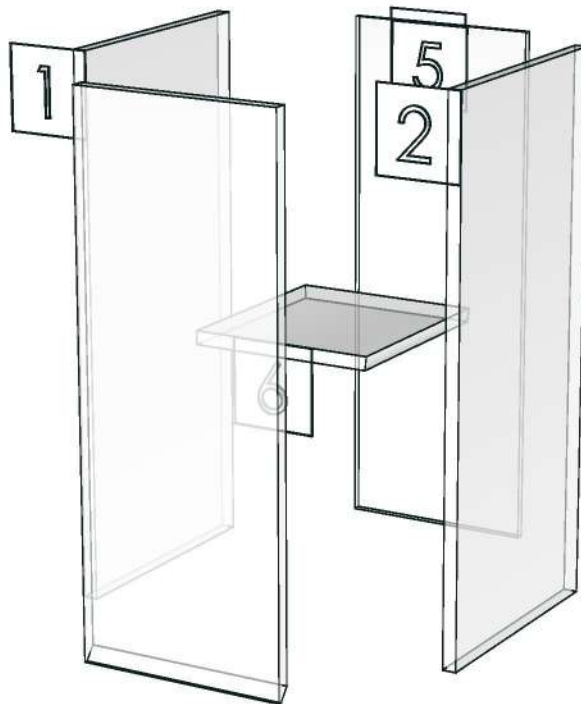
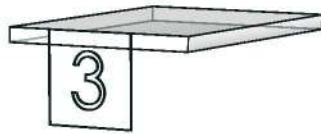
K2R-160152084

K4R-160152093

R&D REVIEW	
<input checked="" type="checkbox"/>	DWG.Customer
<input checked="" type="checkbox"/>	Work Report
<input type="checkbox"/>	Function
<input type="checkbox"/>	สินค้าตรงตัวอย่าง
ผู้ทบทวน _____	



Model	-ESCENT_NKW_DL25L		
Creator		.BCP Name	INDEX_C3D_KITCHEN2
Reviewer		Order	I003764
Approves		Date	



Model	ESCENT_NKW_DL60HL		
Creator	PASATHORN	.BCP Name	INDEX_C3D_KITCHEN2
Reviewer		Order	I003766
Approves		Date	11/12/2024

ESCENT_NKW_DL60HL-600X300X600

Colour

20.01=ML.MFI599_PEARL

Edge

01.319=1 MFI599 PEARL

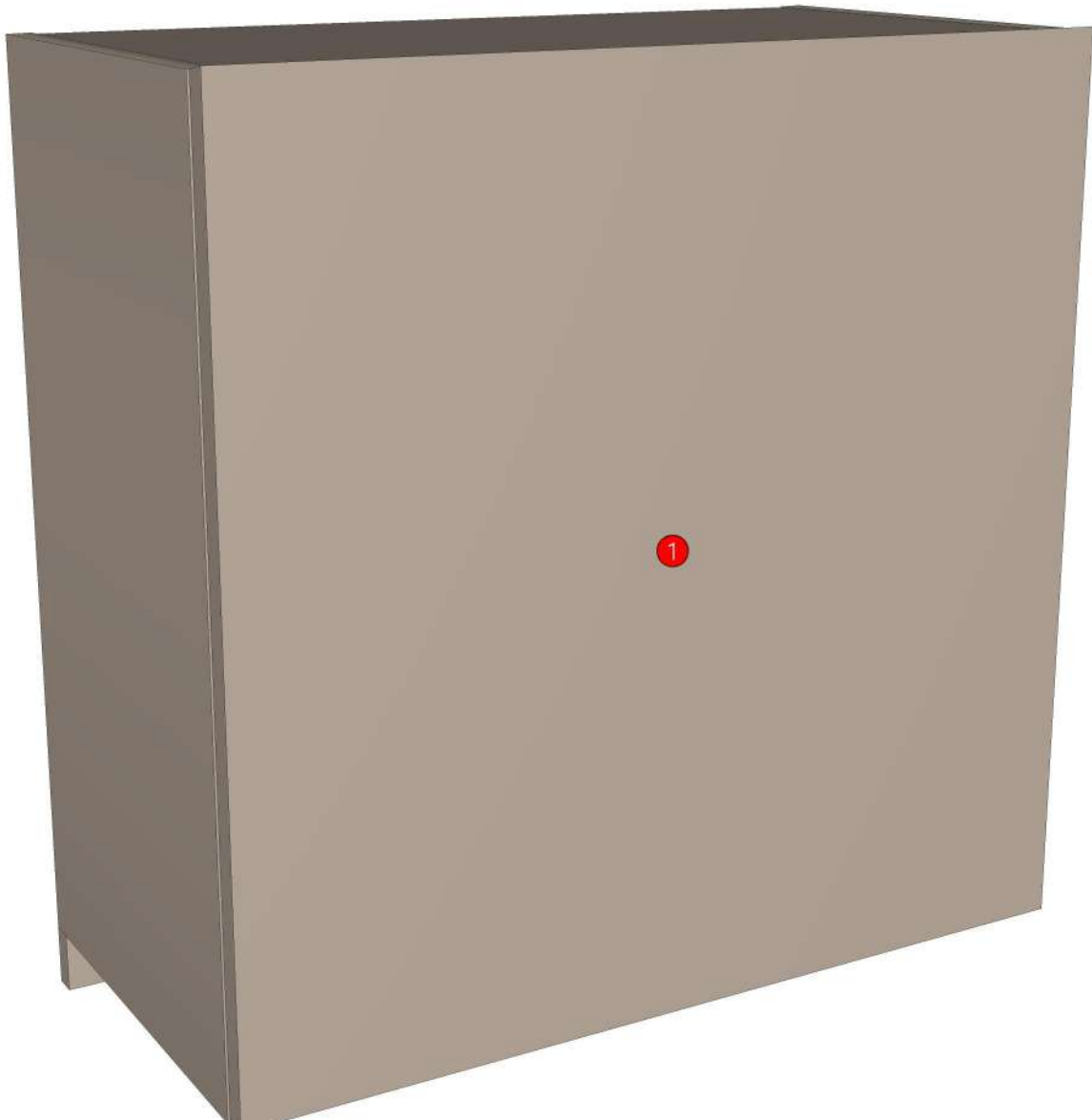
R&D REVIEW	
<input checked="" type="checkbox"/>	DWG.Customer
<input checked="" type="checkbox"/>	Work Report
<input type="checkbox"/>	Function
<input type="checkbox"/>	สินค้าตรงตัวอย่าง
ผู้ทบทวน _____	

K2R-160152084

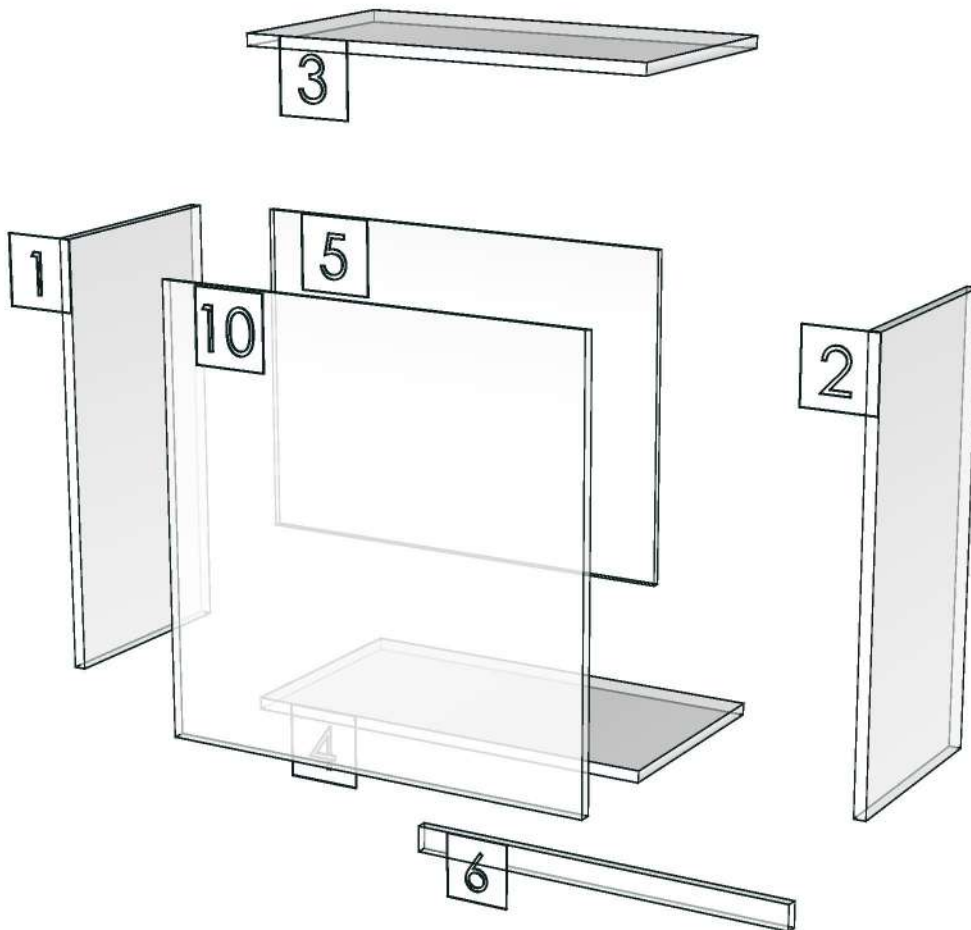
K3R-160131637

K4R-160152093

K5R-160152102



Model	-ESCENT_NKW_DL60HL		
Creator		.BCP Name	INDEX_C3D_KITCHEN2
Reviewer		Order	I003766
Approves		Date	



Model	ESCENT_NKW_D_FLR650S		
Creator	PASATHORN	.BCP Name	INDEX_C3D_KITCHEN2
Reviewer		Order	I003763
Approves		Date	11/12/2024

ESCENT_NKW_D_FLR650S-650X570X60

Colour
20.01=ML.MFI599_PEARL

Edge
01.319=1 MFI599 PEARL

R&D REVIEW	
<input checked="" type="checkbox"/>	DWG.Customer
<input checked="" type="checkbox"/>	Work Report
<input type="checkbox"/>	Function
<input type="checkbox"/>	สินค้าตรงตัวอย่าง
ผู้ทบทวน _____	

K1L-160152076

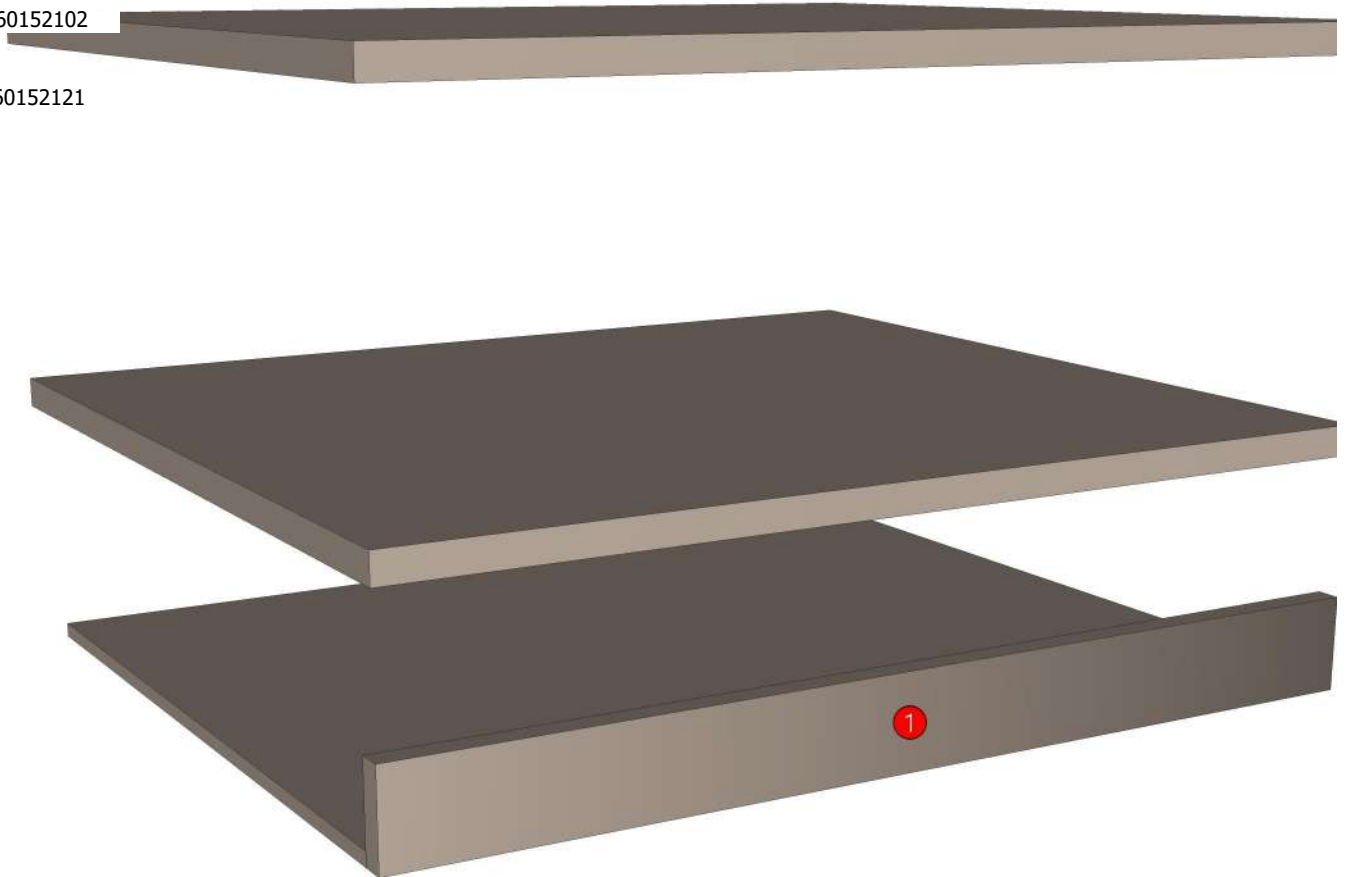
K2L-160131628

K2R-160152084

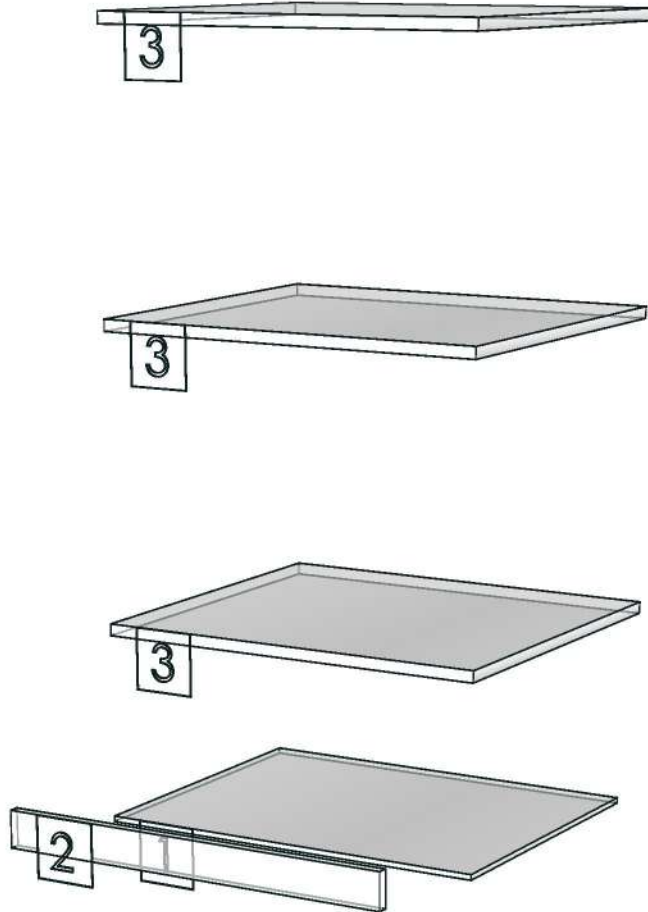
K4R-160152093

K5R-160152102

K8L-160152121



Model	-ESCENT_NKW_D_FLR650S		
Creator		.BCP Name	INDEX_C3D_KITCHEN2
Reviewer		Order	I003763
Approves		Date	



Model	ESCENT_NKW_DFB		
Creator	PASATHORN	.BCP Name	INDEX_C3D_KITCHEN2
Reviewer		Order	I003760
Approves		Date	11/12/2024

ESCENT_NKW_DFB-150X16X772

Colour

20.01=ML.MFI599_PEARL

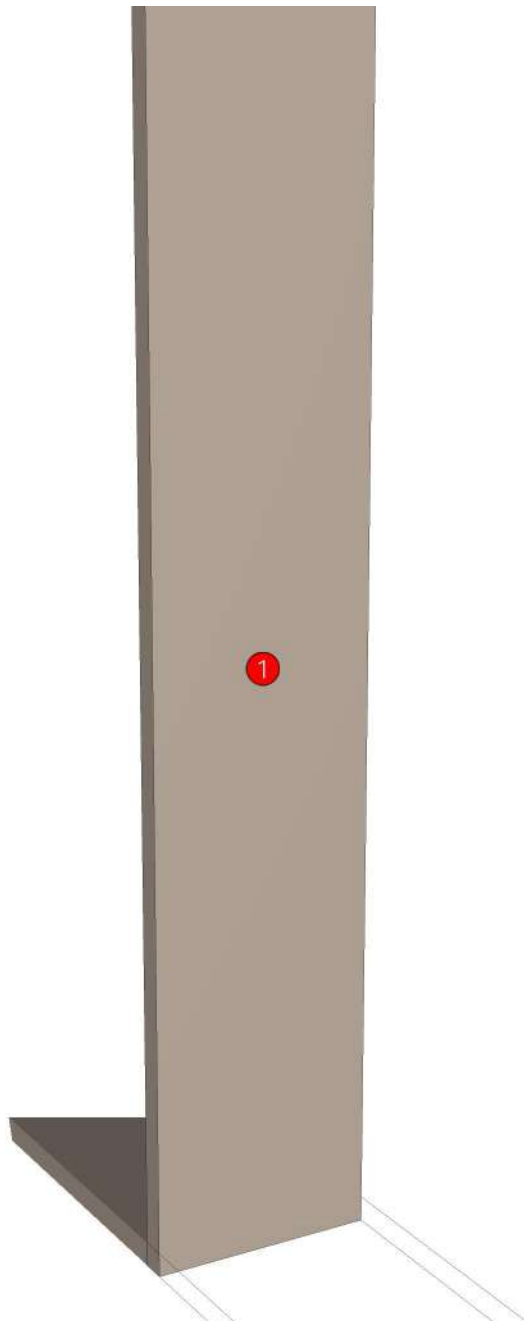
Edge

01.319=1 MFI599 PEARL

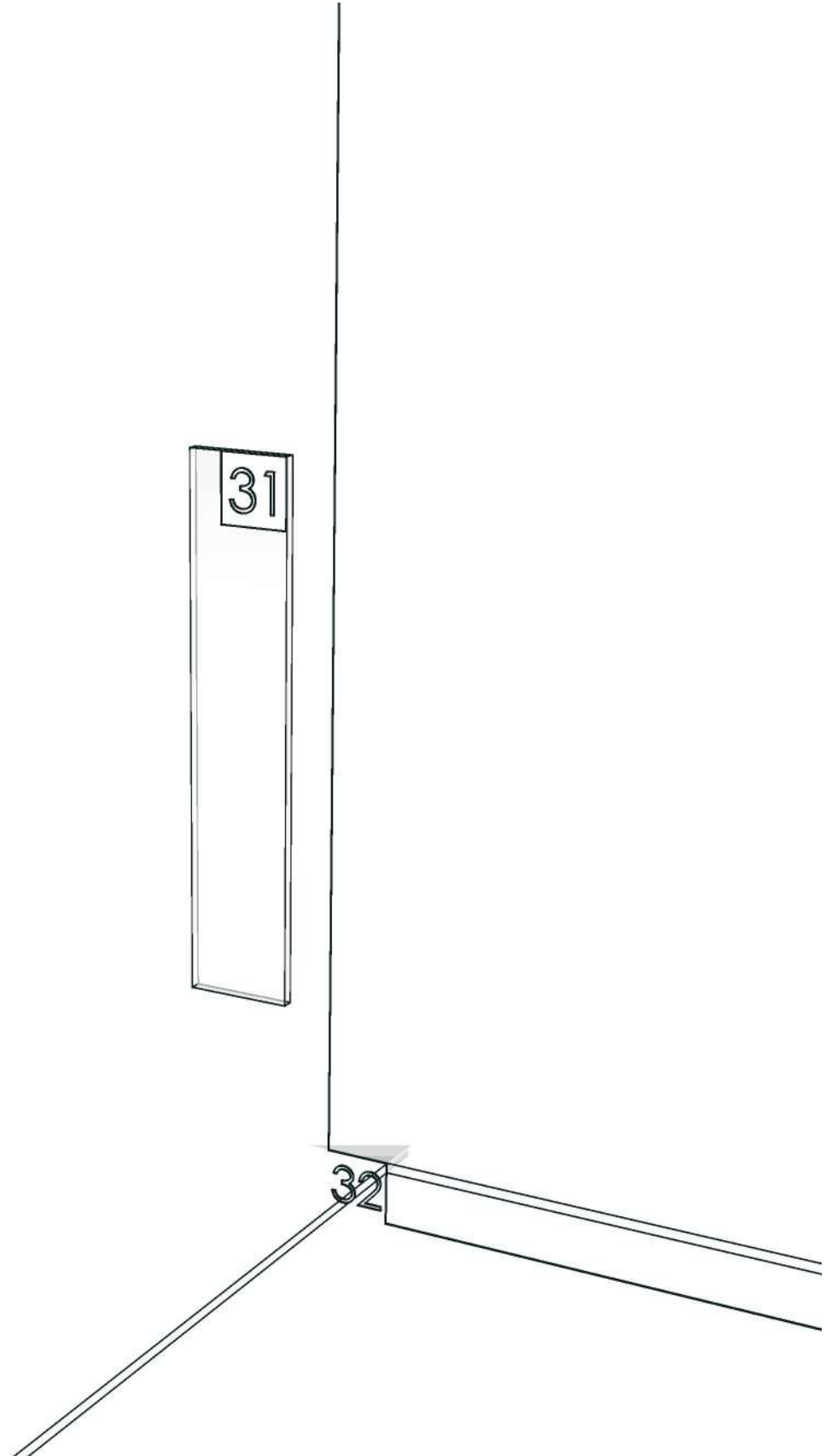
- K1L-160152076
- K2L-160131628
- K2R-160152084
- K3R-160131637
- K4R-160152093
- K5R-160152102

- K8L-160152121

R&D REVIEW	
<input checked="" type="checkbox"/>	DWG.Customer
<input checked="" type="checkbox"/>	Work Report
<input type="checkbox"/>	Function
<input type="checkbox"/>	สินค้าตรงตัวอย่าง
ผู้ทบทวน _____	



Model	-ESCENT_NKW_DFB		
Creator		.BCP Name	INDEX_C3D_KITCHEN2
Reviewer		Order	I003760
Approves		Date	



Model	ESCENT_NKW_DFLMV		
Creator	PASATHORN	.BCP Name	INDEX_C3D_KITCHEN2
Reviewer		Order	I003762
Approves		Date	11/12/2024

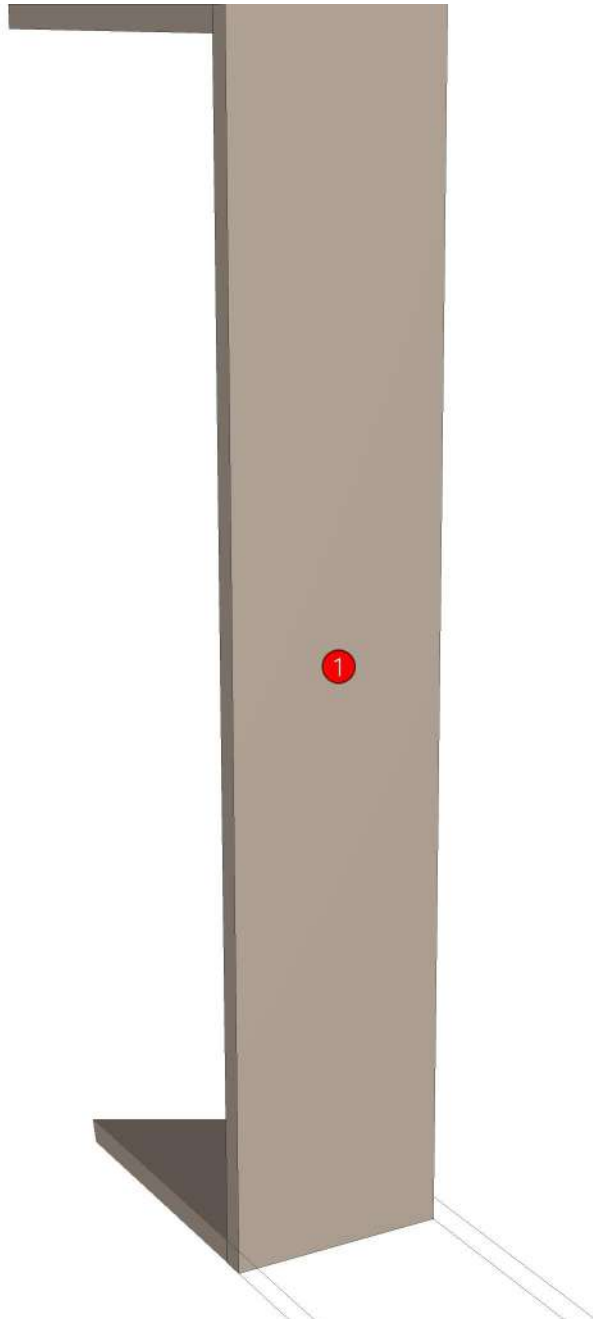
ESCENT_NKW_DFLMV-150X16X800

Colour
20.01=ML.MFI599_PEARL

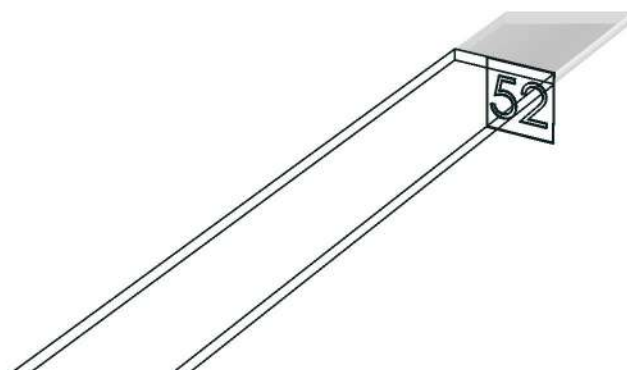
Edge
01.319=1 MFI599 PEARL

K1L-160152076
K2L-160131628
K2R-160152084

R&D REVIEW	
<input checked="" type="checkbox"/>	DWG.Customer
<input checked="" type="checkbox"/>	Work Report
<input type="checkbox"/>	Function
<input type="checkbox"/>	สินค้าตรงตัวอย่าง
ผู้ทบทวน _____	



Model	-ESCENT_NKW_DFLMV		
Creator		.BCP Name	INDEX_C3D_KITCHEN2
Reviewer		Order	I003762
Approves		Date	



Model	ESCENT_NKW_DF_CL1550		
Creator	PASATHORN	.BCP Name	INDEX_C3D_KITCHEN2
Reviewer		Order	I003758
Approves		Date	11/12/2024

ESCENT_NKW_DF_CL1550-1550X16X330

Colour

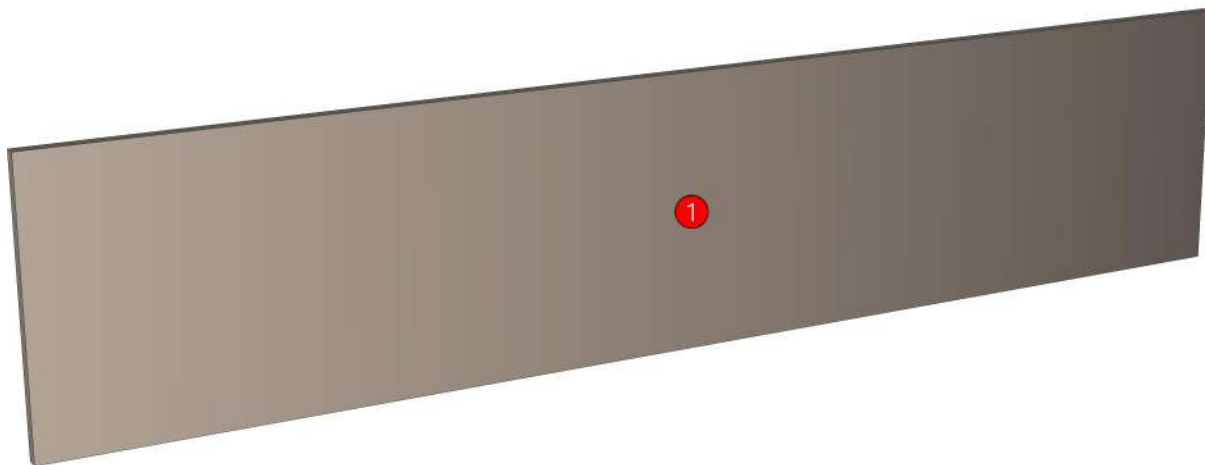
20.01=ML.MFI599_PEARL

Edge

01.319=1 MFI599 PEARL

K2L-160131628
K2R-160152084
K3R-160131637
K4R-160152093

R&D REVIEW	
<input checked="" type="checkbox"/>	DWG.Customer
<input checked="" type="checkbox"/>	Work Report
<input type="checkbox"/>	Function
<input type="checkbox"/>	สินค้าจริงตัวอย่าง
ผู้ทบทวน _____	



Model	ESCENT_NKW_DF_CL525		
Creator	PASATHORN	.BCP Name	INDEX_C3D_KITCHEN2
Reviewer		Order	I003756
Approves		Date	11/12/2024

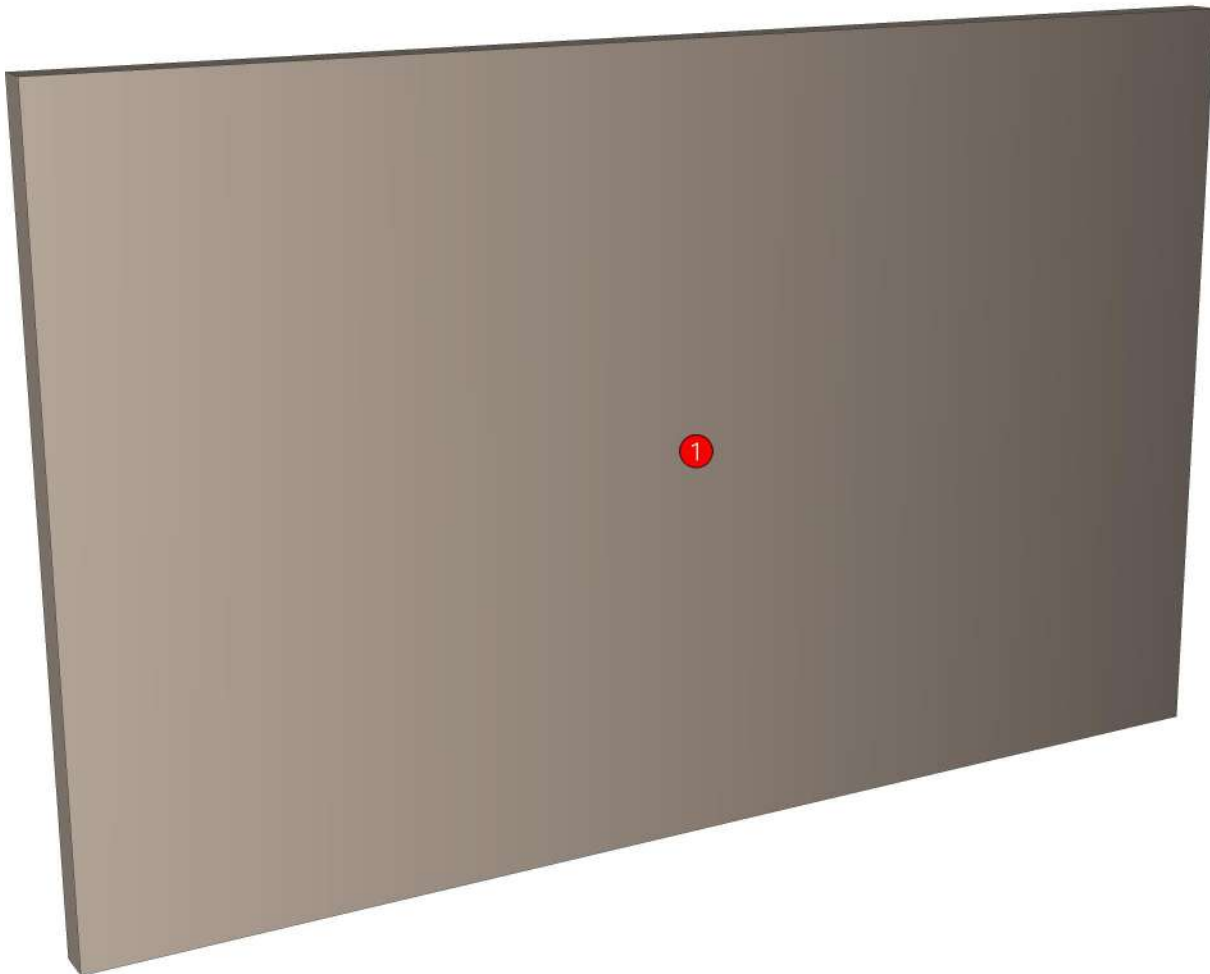
ESCENT_NKW_DF_CL525-525X16X330

Colour
20.01=ML.MFI599_PEARL

Edge
01.319=1 MFI599 PEARL

K2L-160131628
K2R-160152084
K3R-160131637

R&D REVIEW	
<input checked="" type="checkbox"/>	DWG.Customer
<input checked="" type="checkbox"/>	Work Report
<input type="checkbox"/>	Function
<input type="checkbox"/>	สินค้าตรงตัวอย่าง
ผู้ทบทวน _____	



Model	ESCENT_NKW_DUT1550		
Creator	PASATHORN	.BCP Name	INDEX_C3D_KITCHEN2
Reviewer		Order	I003753
Approves		Date	11/12/2024

ESCENT_NKW_DUT1550-1550X60X9

Colour

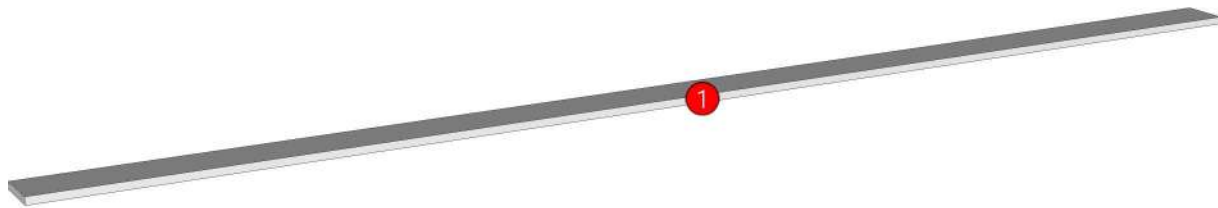
05.01=ML WHITE VM1012 18/18

Edge

01.47=1 WHITE

K2L-160131628
K2R-160152084
K3R-160131637
K4R-160152093

R&D REVIEW	
<input checked="" type="checkbox"/>	DWG.Customer
<input checked="" type="checkbox"/>	Work Report
<input type="checkbox"/>	Function
<input type="checkbox"/>	สินค้าตรงตัวอย่าง
ผู้ทบทวน _____	



Model	ESCENT_NKW_DUT500		
Creator	PASATHORN	.BCP Name	INDEX_C3D_KITCHEN2
Reviewer		Order	I003751
Approves		Date	11/12/2024

ESCENT_NKW_DUT500-500X60X9

Colour

05.01=ML WHITE VM1012 18/18

Edge

01.47=1 WHITE

- K1L-160152076
- K2L-160131628
- K2R-160152084
- K3R-160131637
- K4R-160152093
- K5R-160152102
- K7L-160152111
- K8L-160152121

R&D REVIEW	
<input checked="" type="checkbox"/>	DWG.Customer
<input checked="" type="checkbox"/>	Work Report
<input type="checkbox"/>	Function
<input type="checkbox"/>	สินค้าตรงตัวอย่าง
ผู้ทบทวน _____	

