

Model	ESCENT_NKW_DBS50LGR		
Creator	PASATHORN	.BCP Name	INDEX_C3D_KITCHEN2
Reviewer		Order	I003772
Approves		Date	11/12/2024

ESCENT_NKW_DBS50LGR-500X570X922

Colour

20.01=ML.MFI599_PEARL
05.41=ML FOSS ZILK# BK2 (CROSS METAL)

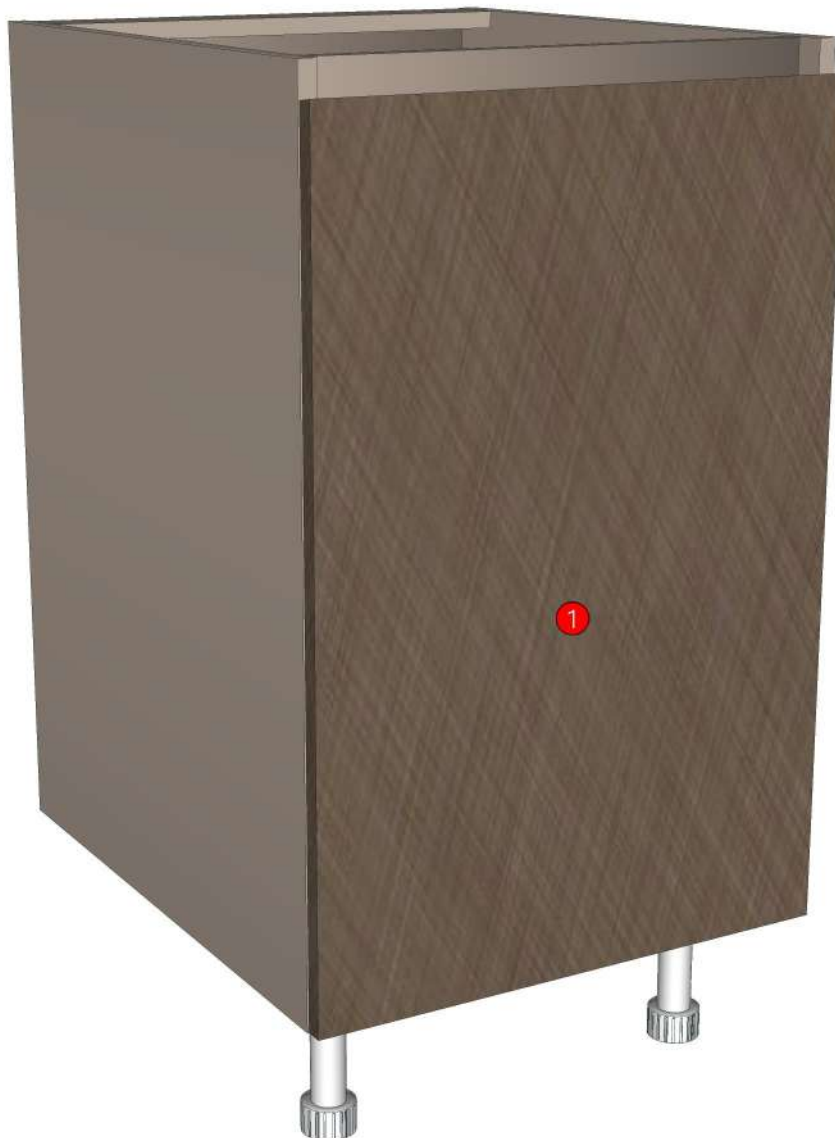
Edge

01.319=1 MFI599 PEARL
01.299=1 FOSS ZILK BK2 A1285 TH00

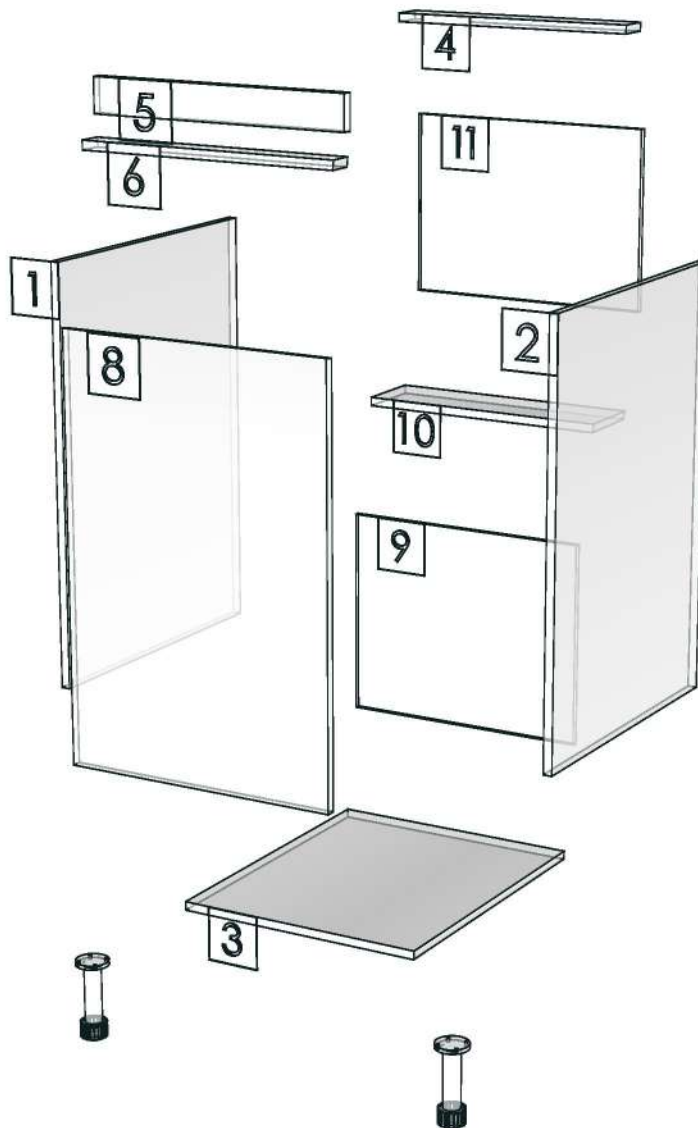
K1L-160152076
K2L-160131628

K8L-160152121

R&D REVIEW	
<input checked="" type="checkbox"/>	DWG.Customer
<input checked="" type="checkbox"/>	Work Report
<input type="checkbox"/>	Function
<input type="checkbox"/>	สินค้าตรงตัวอย่าง
ผู้ทบทวน _____	



Model	-ESCENT_NKW_DBS50LGR		
Creator		.BCP Name	INDEX_C3D_KITCHEN2
Reviewer		Order	I003772
Approves		Date	



Model	ESCENT_NKW_DB20RGLSL		
Creator	PASATHORN	.BCP Name	INDEX_C3D_KITCHEN2
Reviewer		Order	I003775
Approves		Date	11/12/2024

ESCENT_NKW_DB20RGLSL-200X570X922

Colour

20.01=ML.MFI599_PEARL

05.41=ML FOSS ZILK# BK2 (CROSS METAL)

Edge

01.319=1 MFI599 PEARL

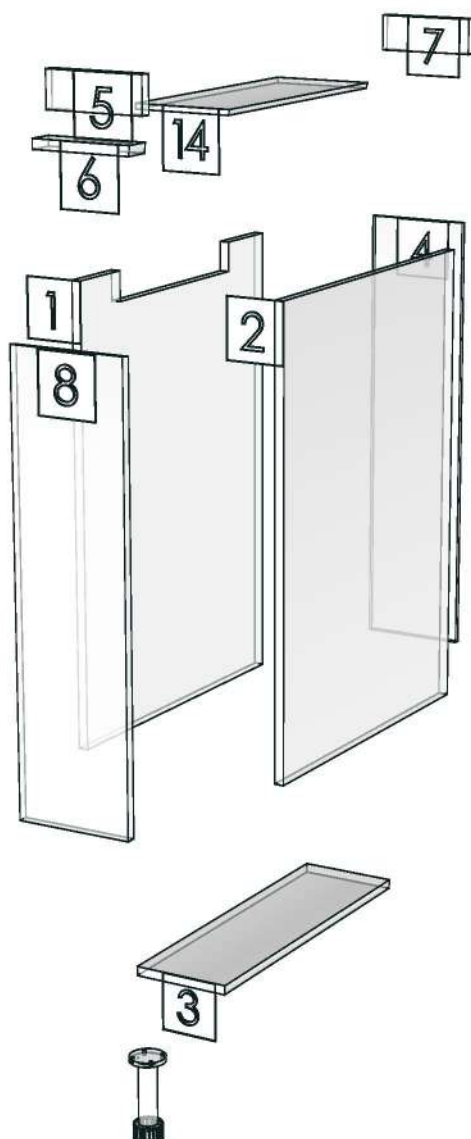
01.299=1 FOSS ZILK BK2 A1285 TH00

K1L-160152076

R&D REVIEW	
<input checked="" type="checkbox"/>	DWG.Customer
<input checked="" type="checkbox"/>	Work Report
<input type="checkbox"/>	Function
<input type="checkbox"/>	สินค้าตรงตัวอย่าง
ผู้ทบทวน _____	



Model	-ESCENT_NKW_DB20RGLSL		
Creator		.BCP Name	INDEX_C3D_KITCHEN2
Reviewer		Order	I003775
Approves		Date	



Model	ESCENT_NKW_DLMV75L		
Creator	PASATHORN	.BCP Name	INDEX_C3D_KITCHEN2
Reviewer		Order	I003770
Approves		Date	11/12/2024

ESCENT_NKW_DLMV75L-750X350X800

Colour

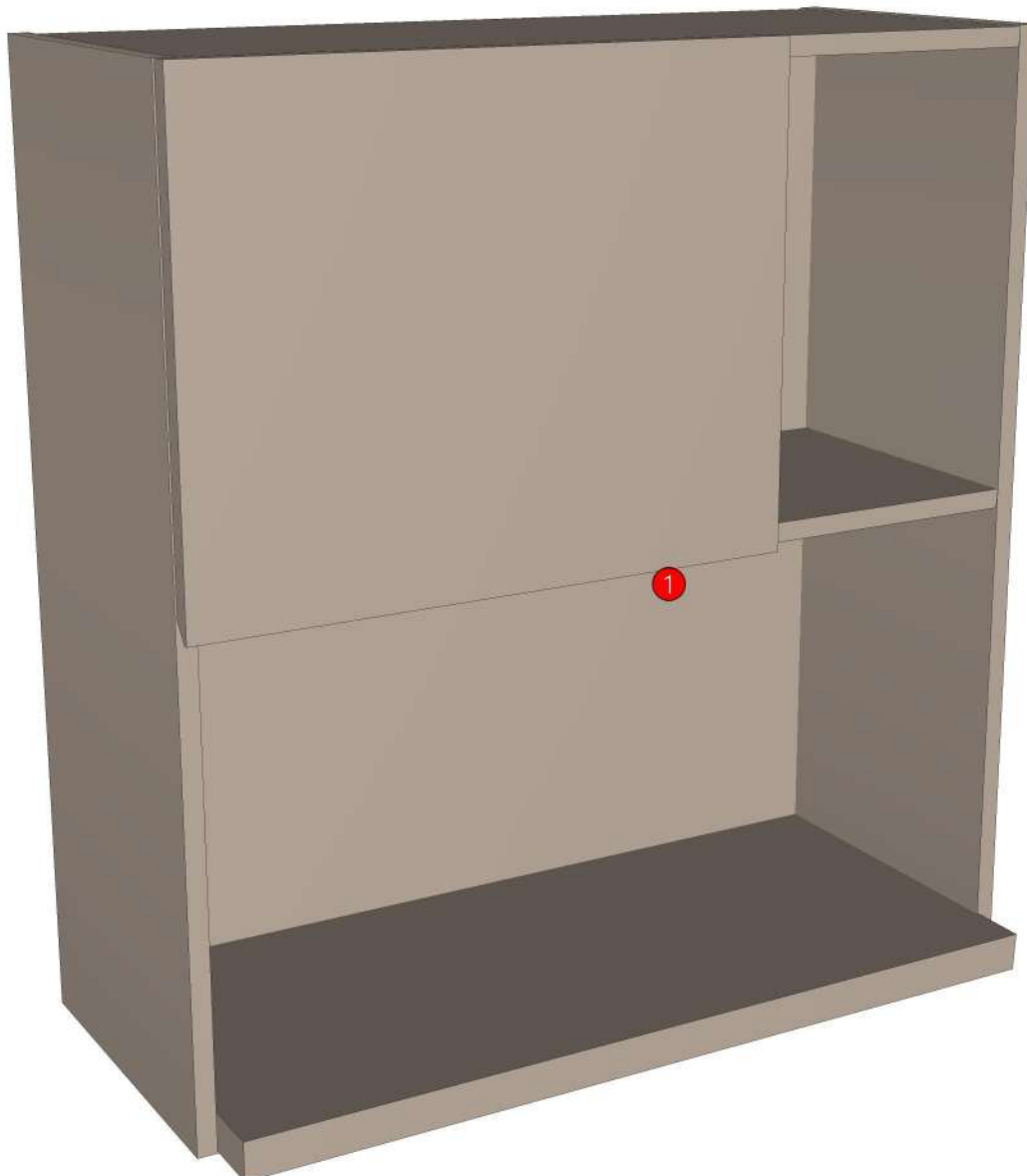
20.01=ML.MFI599_PEARL

Edge

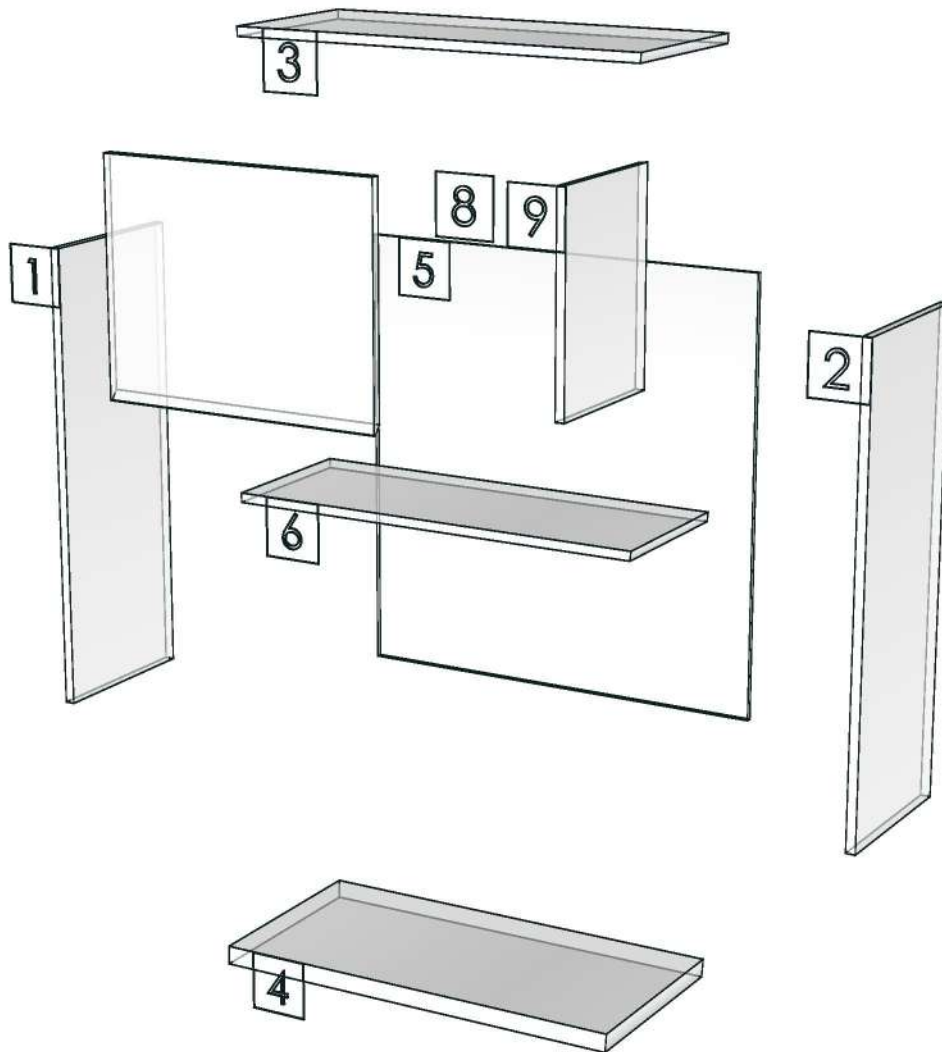
01.319=1 MFI599 PEARL

K1L-160152076

R&D REVIEW	
<input checked="" type="checkbox"/>	DWG.Customer
<input checked="" type="checkbox"/>	Work Report
<input type="checkbox"/>	Function
<input type="checkbox"/>	สินค้าตรงตัวอย่าง
ผู้ทบทวน _____	



Model	-ESCENT_NKW_DLMV75L		
Creator		.BCP Name	INDEX_C3D_KITCHEN2
Reviewer		Order	I003770
Approves		Date	



Model	ESCENT_NKW_DL60HR		
Creator	PASATHORN	.BCP Name	INDEX_C3D_KITCHEN2
Reviewer		Order	I003767
Approves		Date	11/12/2024

ESCENT_NKW_DL60HR-600X300X600

Colour

20.01=ML.MFI599_PEARL

Edge

01.319=1 MFI599 PEARL

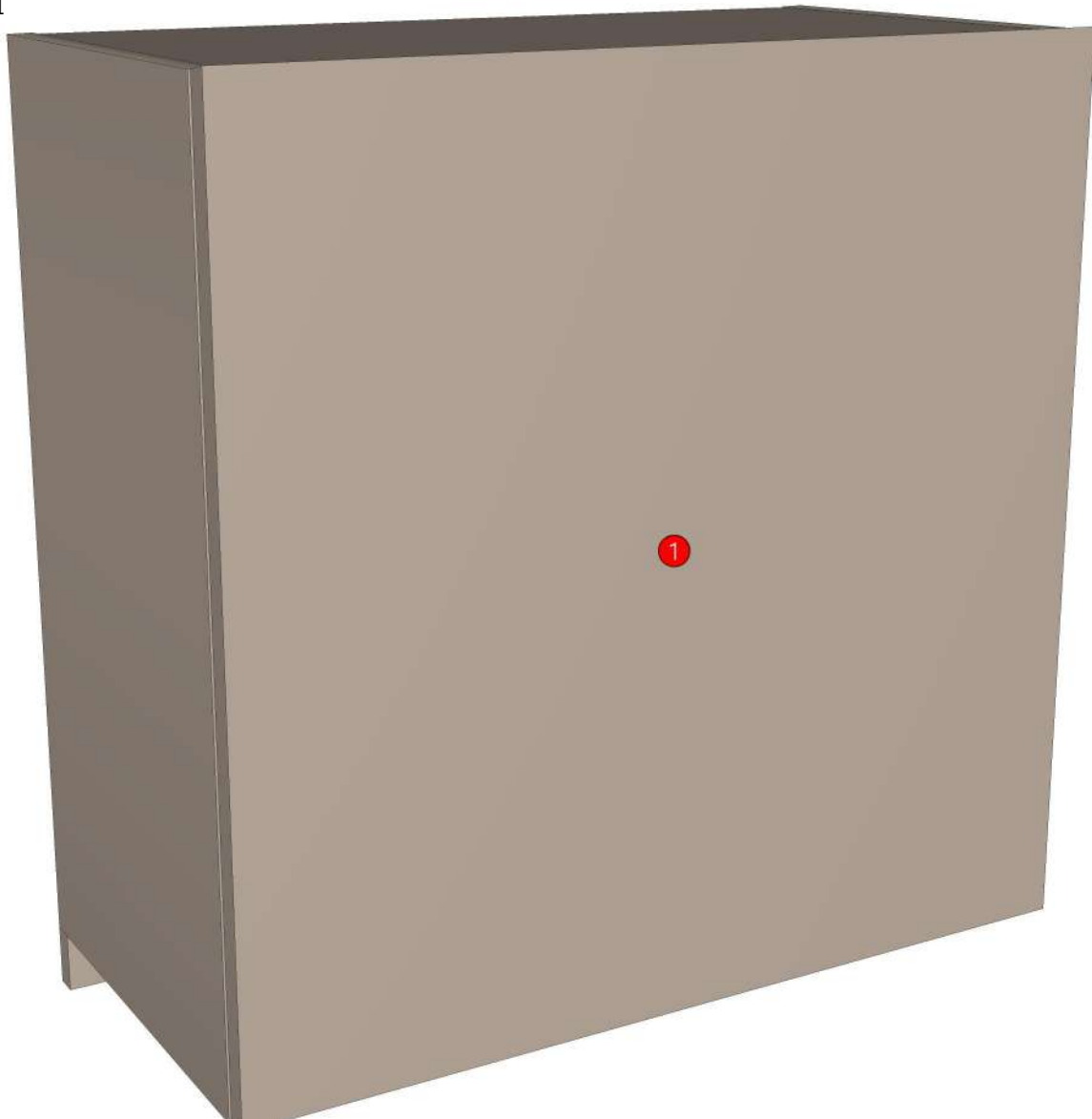
K1L-160152076

K2L-160131628

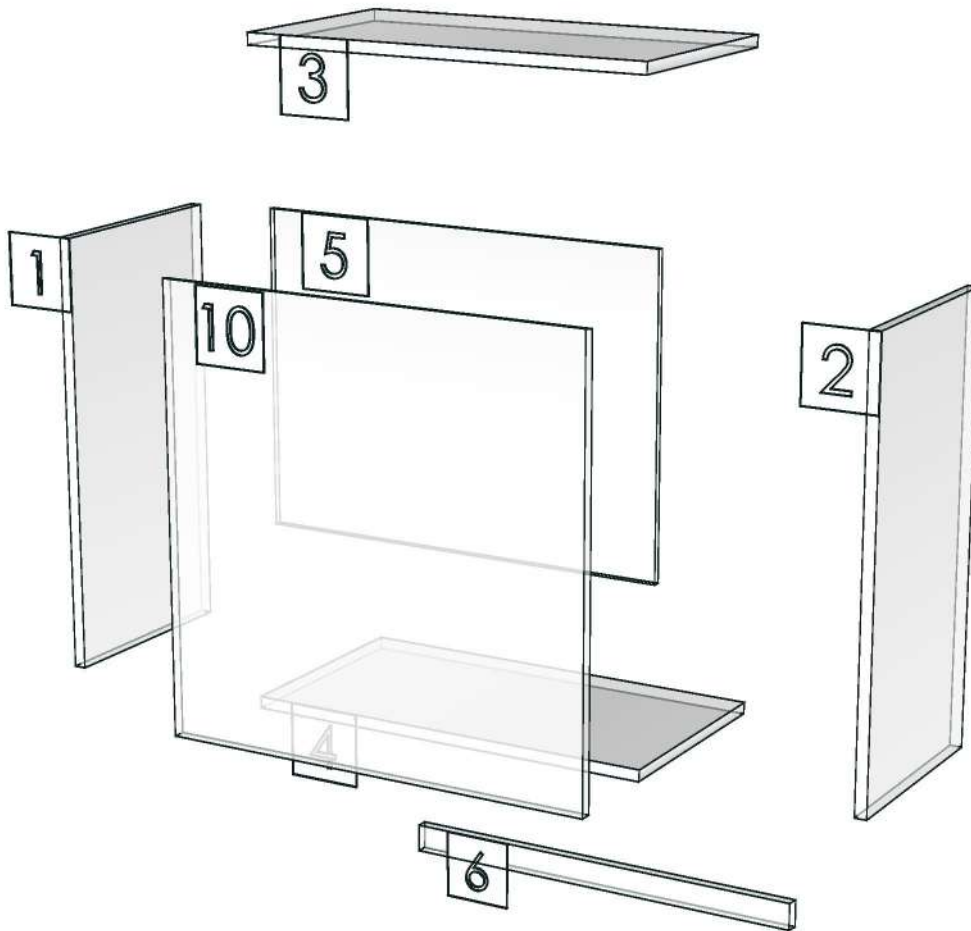
K7L-160152111

K8L-160152121

R&D REVIEW	
<input checked="" type="checkbox"/>	DWG.Customer
<input checked="" type="checkbox"/>	Work Report
<input type="checkbox"/>	Function
<input type="checkbox"/>	สินค้าตรงตัวอย่าง
ผู้ทบทวน _____	



Model	-ESCENT_NKW_DL60HR		
Creator		.BCP Name	INDEX_C3D_KITCHEN2
Reviewer		Order	I003767
Approves		Date	



Model	ESCENT_NKW_D_FLR650S		
Creator	PASATHORN	.BCP Name	INDEX_C3D_KITCHEN2
Reviewer		Order	I003763
Approves		Date	11/12/2024

ESCENT_NKW_D_FLR650S-650X570X60

Colour
20.01=ML.MFI599_PEARL

Edge
01.319=1 MFI599 PEARL

R&D REVIEW	
<input checked="" type="checkbox"/>	DWG.Customer
<input checked="" type="checkbox"/>	Work Report
<input type="checkbox"/>	Function
<input type="checkbox"/>	สินค้าตรงตัวอย่าง
ผู้ทบทวน _____	

K1L-160152076

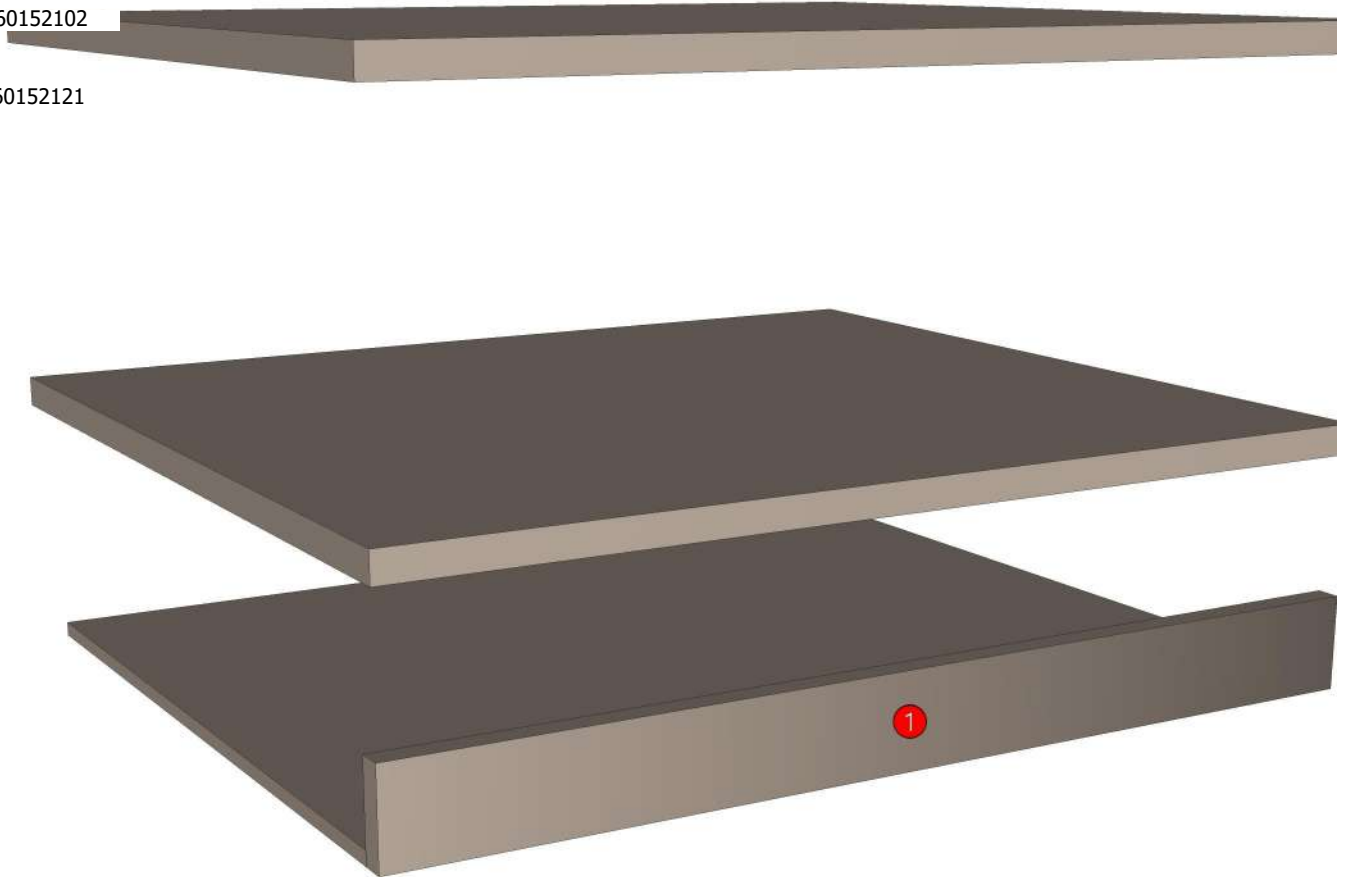
K2L-160131628

K2R-160152084

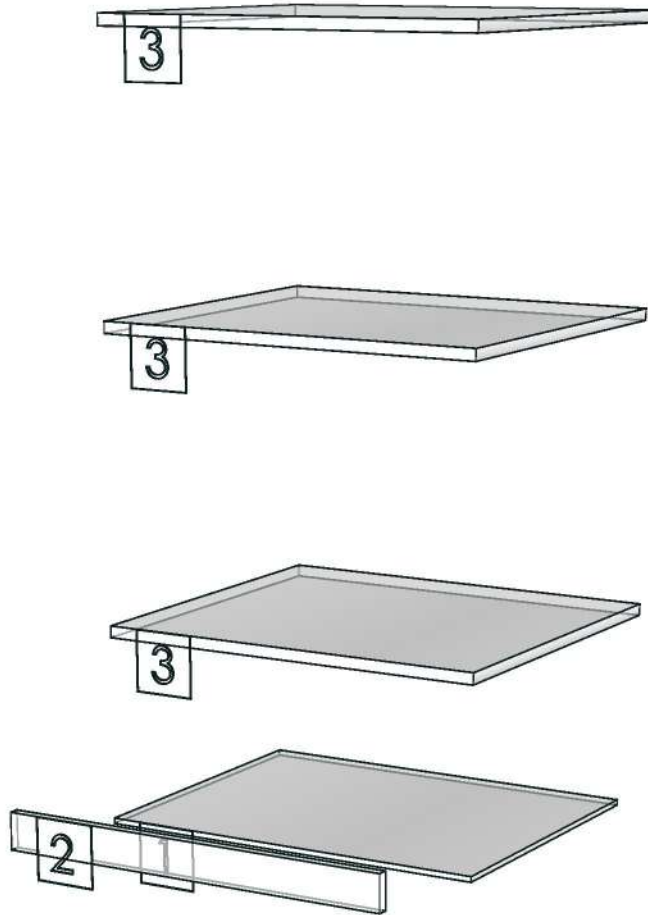
K4R-160152093

K5R-160152102

K8L-160152121



Model	-ESCENT_NKW_D_FLR650S		
Creator		.BCP Name	INDEX_C3D_KITCHEN2
Reviewer		Order	I003763
Approves		Date	



Model	ESCENT_NKW_DFB		
Creator	PASATHORN	.BCP Name	INDEX_C3D_KITCHEN2
Reviewer		Order	I003760
Approves		Date	11/12/2024

ESCENT_NKW_DFB-150X16X772

Colour

20.01=ML.MFI599_PEARL

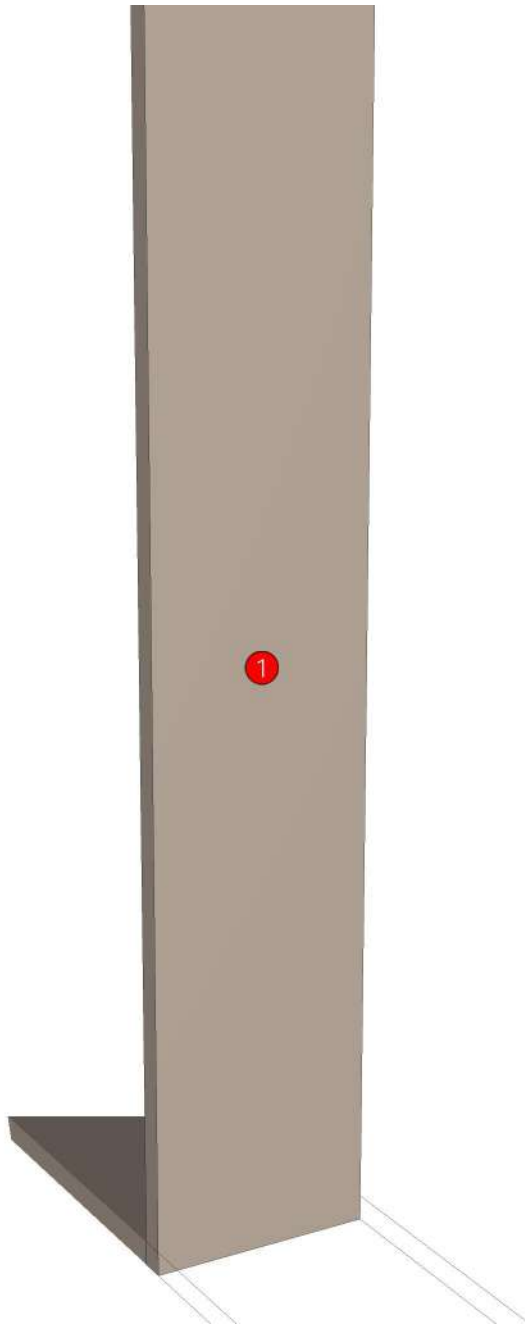
Edge

01.319=1 MFI599 PEARL

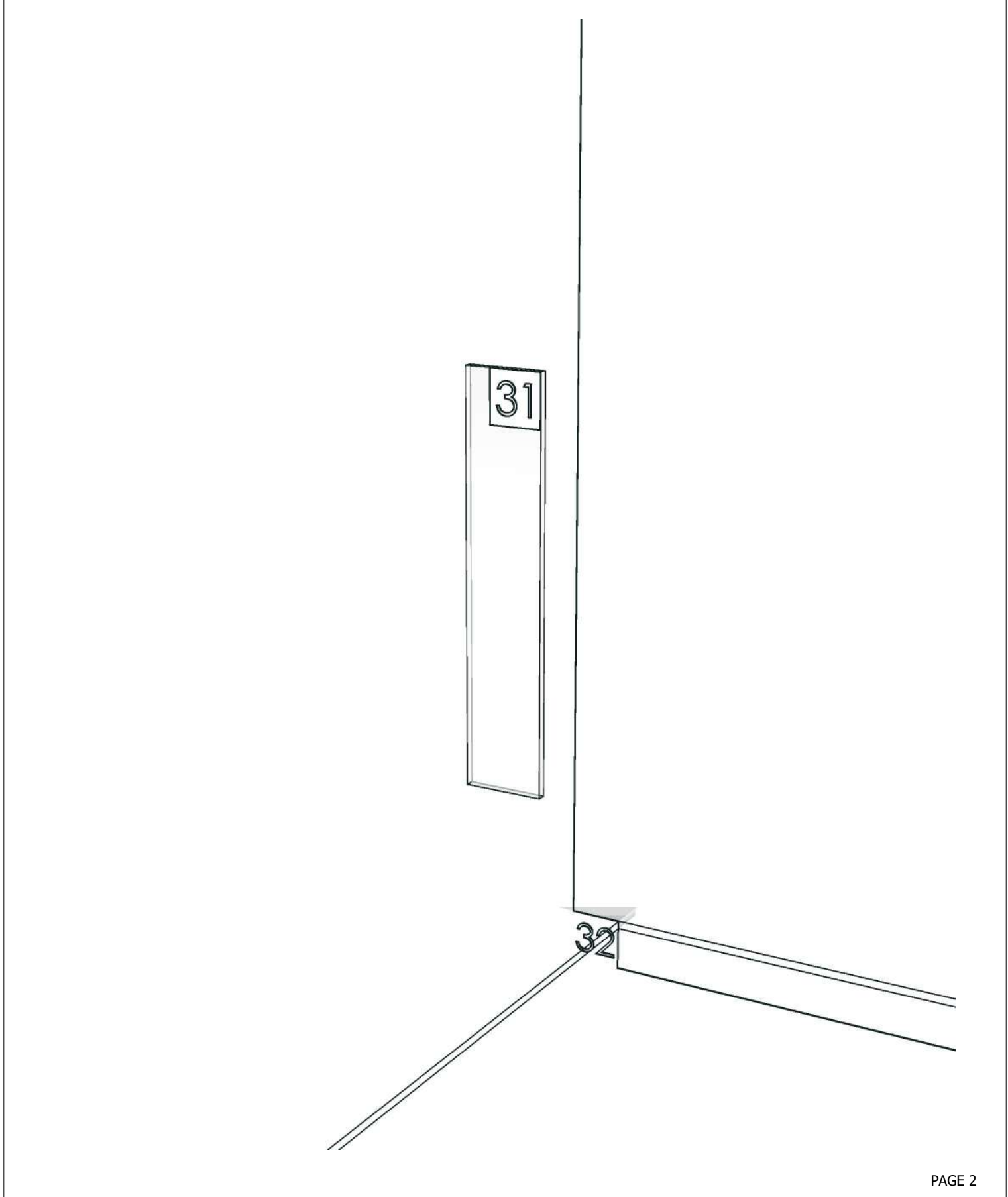
- K1L-160152076
- K2L-160131628
- K2R-160152084
- K3R-160131637
- K4R-160152093
- K5R-160152102

- K8L-160152121

R&D REVIEW	
<input checked="" type="checkbox"/>	DWG.Customer
<input checked="" type="checkbox"/>	Work Report
<input type="checkbox"/>	Function
<input type="checkbox"/>	สินค้าตรงตัวอย่าง
ผู้ทบทวน _____	



Model	-ESCENT_NKW_DFB		
Creator		.BCP Name	INDEX_C3D_KITCHEN2
Reviewer		Order	I003760
Approves		Date	



Model	ESCENT_NKW_DFLMV		
Creator	PASATHORN	.BCP Name	INDEX_C3D_KITCHEN2
Reviewer		Order	I003762
Approves		Date	11/12/2024

ESCENT_NKW_DFLMV-150X16X800

Colour

20.01=ML.MFI599_PEARL

Edge

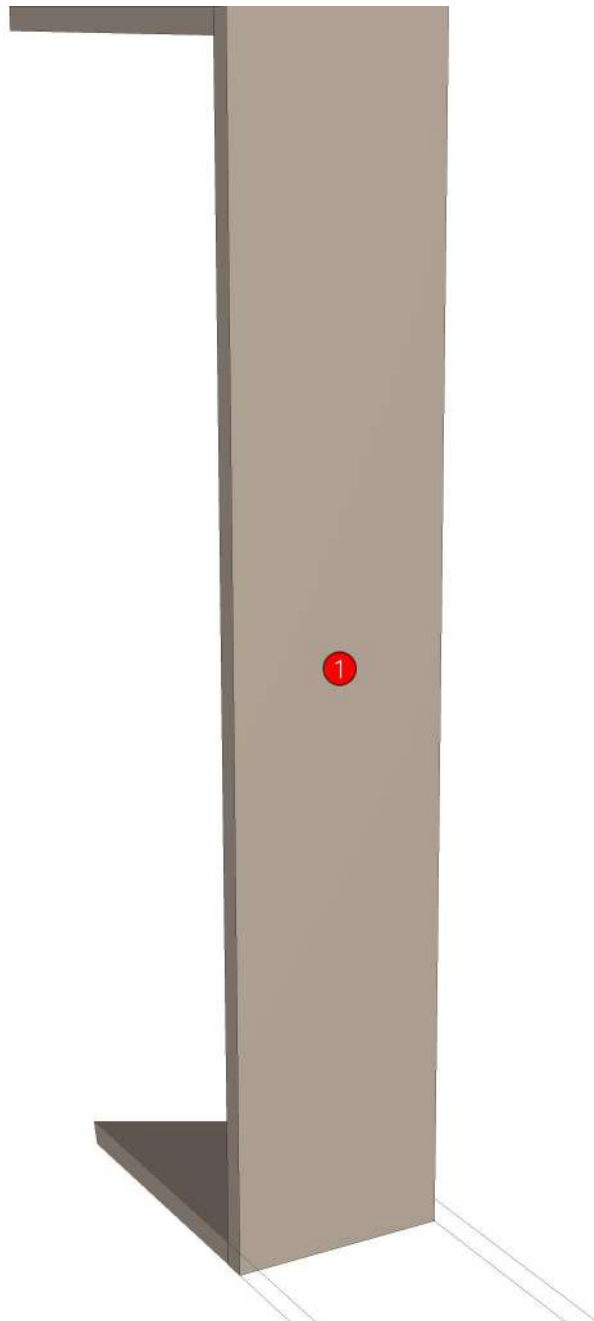
01.319=1 MFI599 PEARL

K1L-160152076

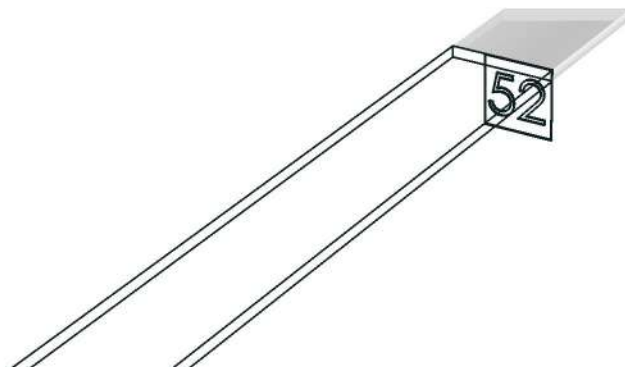
K2L-160131628

K2R-160152084

R&D REVIEW	
<input checked="" type="checkbox"/>	DWG.Customer
<input checked="" type="checkbox"/>	Work Report
<input type="checkbox"/>	Function
<input type="checkbox"/>	สินค้าตรงตัวอย่าง
ผู้ทบทวน _____	



Model	-ESCENT_NKW_DFLMV		
Creator		.BCP Name	INDEX_C3D_KITCHEN2
Reviewer		Order	I003762
Approves		Date	



Model	ESCENT_NKW_DF_CL1500		
Creator	PASATHORN	.BCP Name	INDEX_C3D_KITCHEN2
Reviewer		Order	I003757
Approves		Date	11/12/2024

ESCENT_NKW_DF_CL1500-1500X16X330

Colour

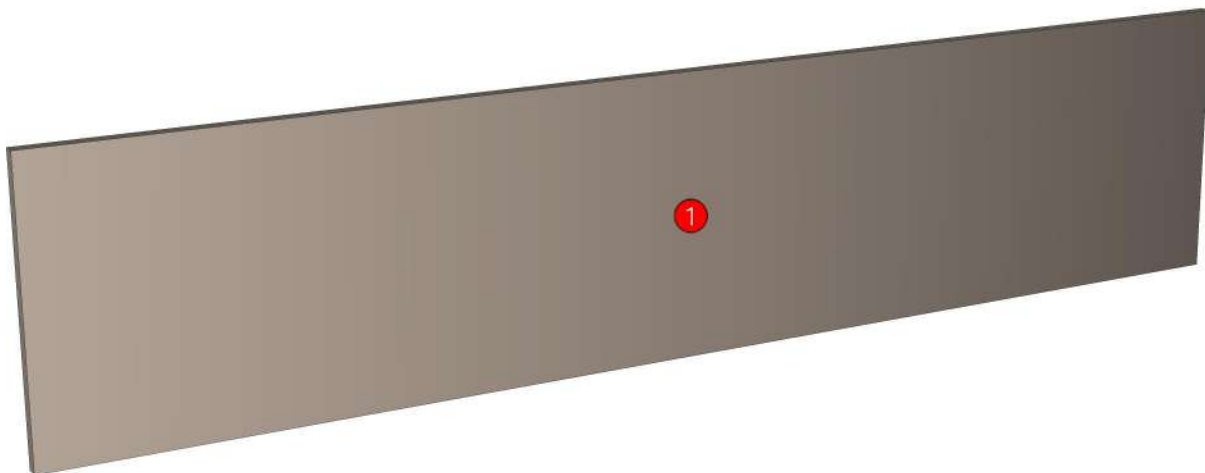
20.01=ML.MFI599_PEARL

Edge

01.319=1 MFI599 PEARL

K1L-160152076

R&D REVIEW	
<input checked="" type="checkbox"/>	DWG.Customer
<input checked="" type="checkbox"/>	Work Report
<input type="checkbox"/>	Function
<input type="checkbox"/>	สินค้าตรงตัวอย่าง
ผู้ทบทวน _____	



Model	ESCENT_NKW_DF_CL300		
Creator	PASATHORN	.BCP Name	INDEX_C3D_KITCHEN2
Reviewer		Order	I003755
Approves		Date	11/12/2024

ESCENT_NKW_DF_CL300-300X16X330

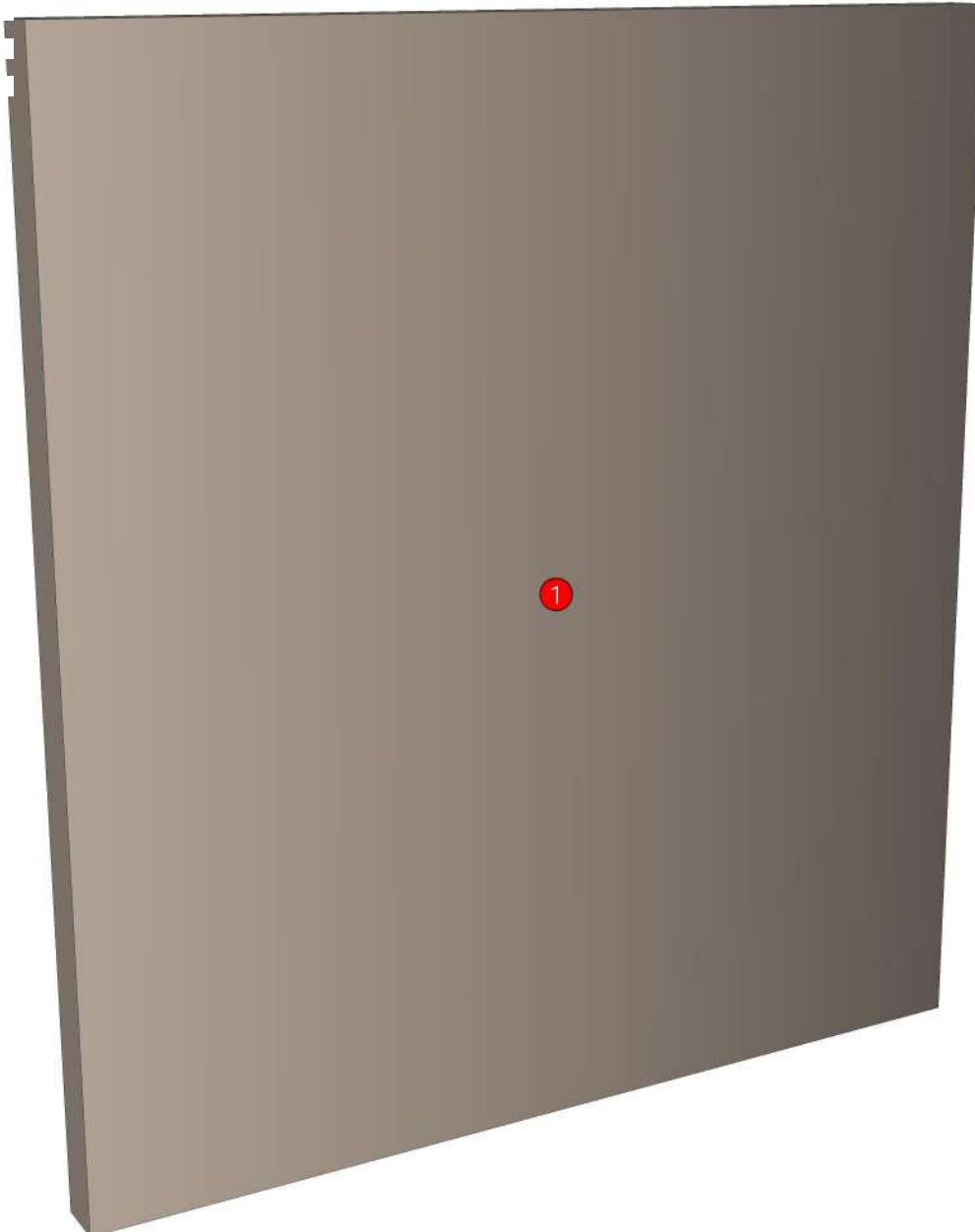
Colour
20.01=ML.MFI599_PEARL

Edge
01.319=1 MFI599 PEARL

K1L-160152076

K4R-160152093
K5R-160152102
K7L-160152111
K8L-160152121

R&D REVIEW	
<input checked="" type="checkbox"/>	DWG.Customer
<input checked="" type="checkbox"/>	Work Report
<input type="checkbox"/>	Function
<input type="checkbox"/>	สินค้าตรงตัวอย่าง
ผู้ทบทวน _____	



Model	ESCENT_NKW_DUT1500		
Creator	PASATHORN	.BCP Name	INDEX_C3D_KITCHEN2
Reviewer		Order	I003752
Approves		Date	11/12/2024

ESCENT_NKW_DUT1500-1500X60X9

Colour

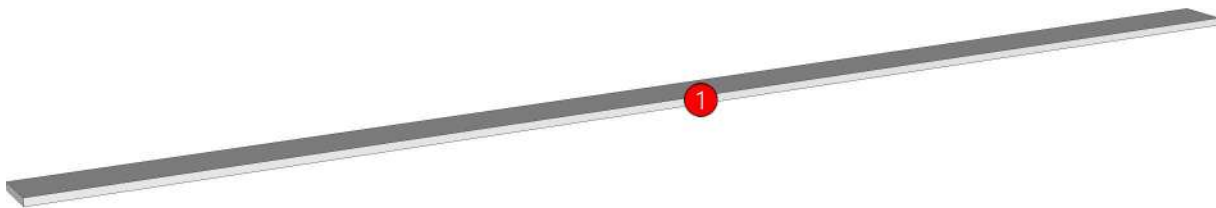
05.01=ML WHITE VM1012 18/18

Edge

01.47=1 WHITE

K1L-160152076

R&D REVIEW	
<input checked="" type="checkbox"/>	DWG.Customer
<input checked="" type="checkbox"/>	Work Report
<input type="checkbox"/>	Function
<input type="checkbox"/>	สินค้าตรงตัวอย่าง
ผู้ทบทวน _____	



Model	ESCENT_NKW_DUT500		
Creator	PASATHORN	.BCP Name	INDEX_C3D_KITCHEN2
Reviewer		Order	I003751
Approves		Date	11/12/2024

ESCENT_NKW_DUT500-500X60X9

Colour

05.01=ML WHITE VM1012 18/18

Edge

01.47=1 WHITE

- K1L-160152076
- K2L-160131628
- K2R-160152084
- K3R-160131637
- K4R-160152093
- K5R-160152102
- K7L-160152111
- K8L-160152121

R&D REVIEW	
<input checked="" type="checkbox"/>	DWG.Customer
<input checked="" type="checkbox"/>	Work Report
<input type="checkbox"/>	Function
<input type="checkbox"/>	สินค้าตรงตัวอย่าง
ผู้ทบทวน _____	

