

Model	ARISE_CRM_DBSC10055R		
Creator	PASATHORN	.BCP Name	INDEX_C3D_KITCHEN2
Reviewer		Order	I003828
Approves		Date	20/12/2024

ARISE_CRM_DBSC10055R-1000X570X901

Colour

20.109=ML.GALAXY GREY AS7 (SUPER MATT)

20.05=ML.MK3258_MATT

Edge

01.182=1 GALAXY GREY AS7

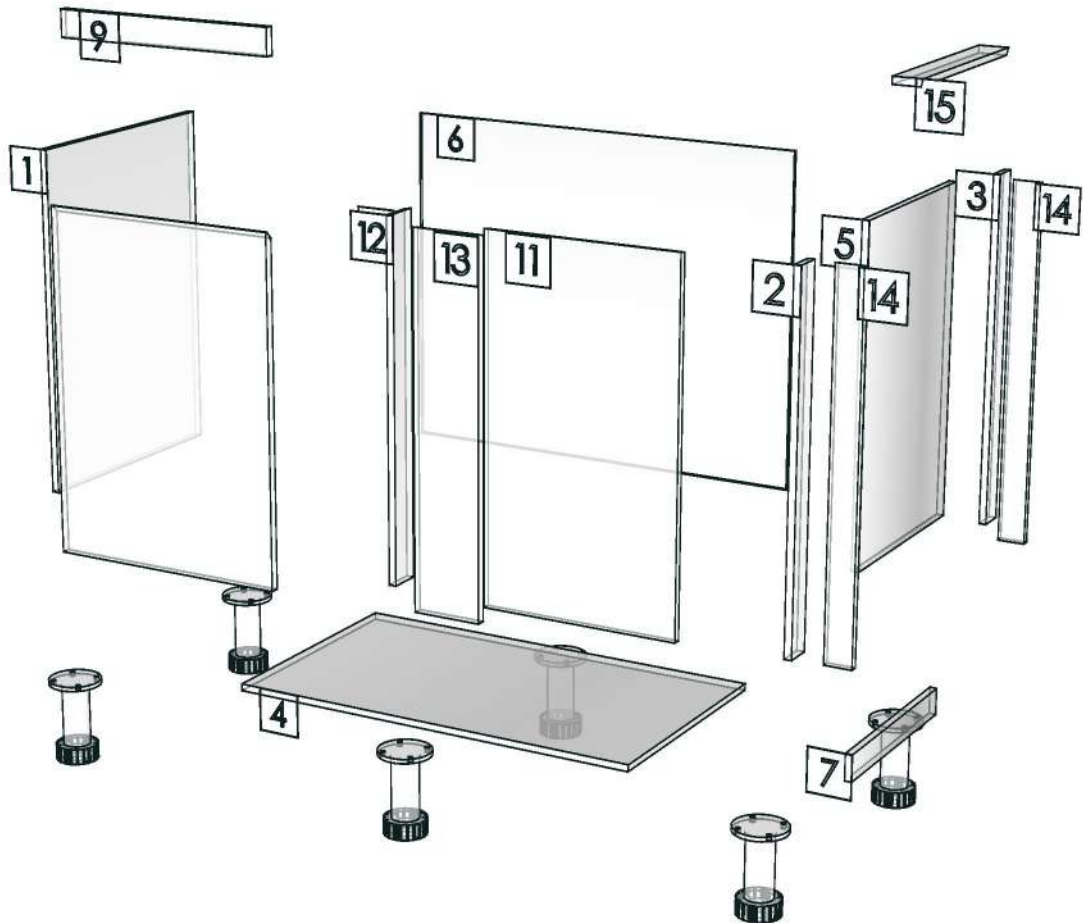
01.157=1 MD229

R&D REVIEW	
<input checked="" type="checkbox"/>	DWG.Customer
<input checked="" type="checkbox"/>	Work Report
<input type="checkbox"/>	Function
<input type="checkbox"/>	สินค้าตรงตัวอย่าง
ผู้ทบทวน _____	

K107-160151534



Model	-ARISE_CRM_DBSC10055R		
Creator		.BCP Name	INDEX_C3D_KITCHEN2
Reviewer		Order	I003828
Approves		Date	



Model	ARISE_CRM_DBMV60G		
Creator	PASATHORN	.BCP Name	INDEX_C3D_KITCHEN2
Reviewer		Order	I003826
Approves		Date	20/12/2024

ARISE_CRM_DBMV60G-600X570X901

Colour

20.109=ML.GALAXY GREY AS7 (SUPER MATT)

20.05=ML.MK3258_MATT

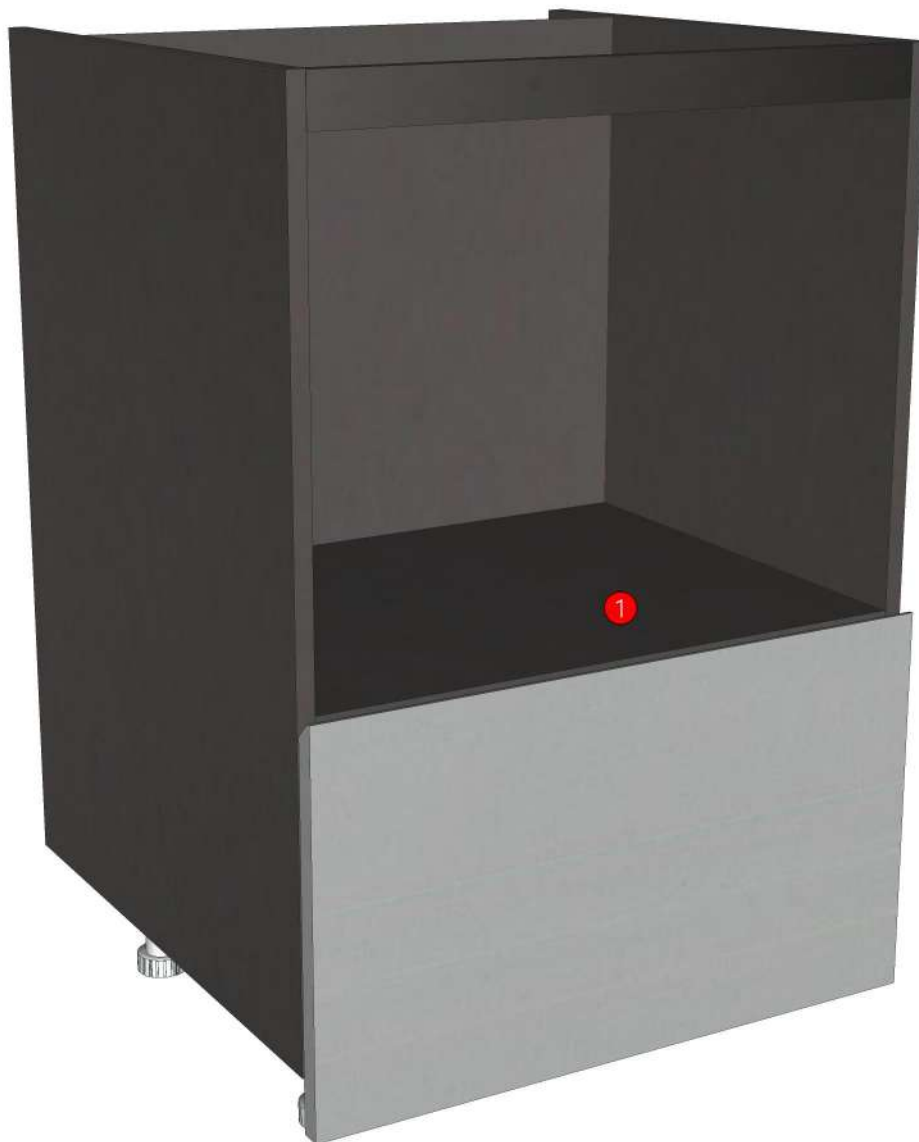
Edge

01.182=1 GALAXY GREY AS7

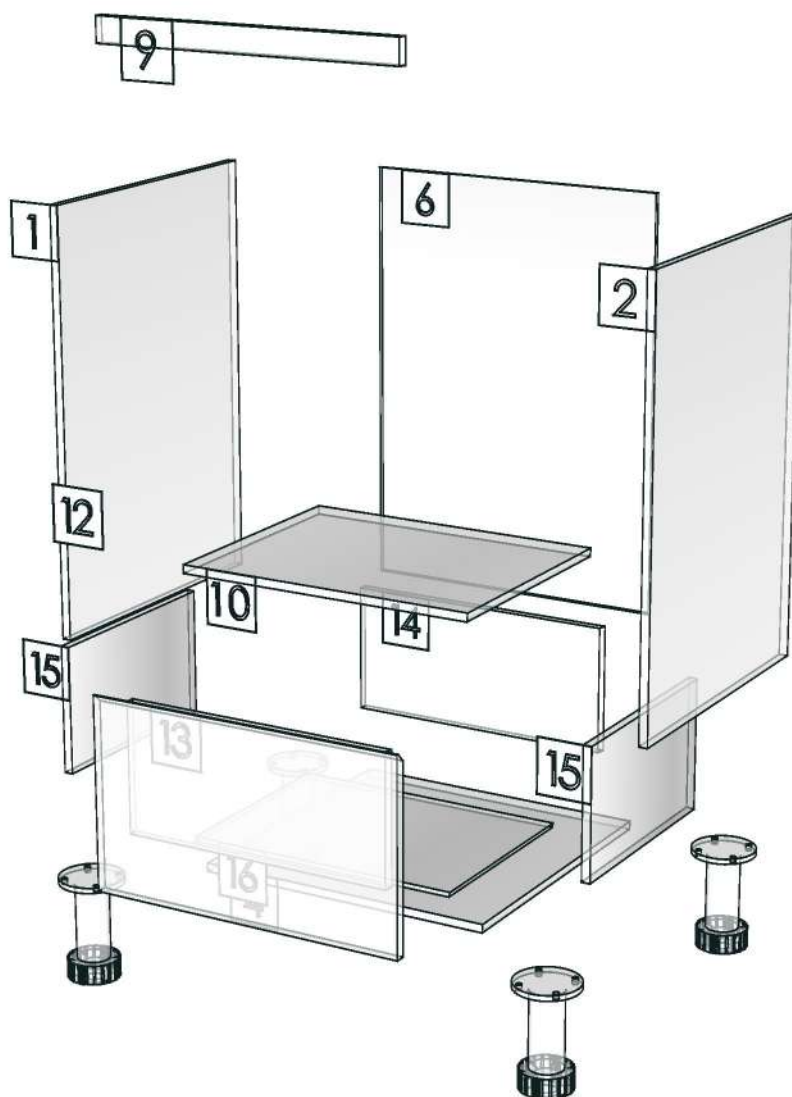
01.157=1 MD229

R&D REVIEW	
<input checked="" type="checkbox"/>	DWG.Customer
<input checked="" type="checkbox"/>	Work Report
<input type="checkbox"/>	Function
<input type="checkbox"/>	สินค้าตรงตัวอย่าง
ผู้ทบทวน _____	

K107-160151534



Model	-ARISE_CRM_DBMV60G		
Creator		.BCP Name	INDEX_C3D_KITCHEN2
Reviewer		Order	I003826
Approves		Date	



Model	ARISE_CRM_DBD352		
Creator	PASATHORN	.BCP Name	INDEX_C3D_KITCHEN2
Reviewer		Order	I003824
Approves		Date	20/12/2024

ARISE_CRM_DBD352-350X570X901

Colour

20.109=ML.GALAXY GREY AS7 (SUPER MATT)

20.05=ML.MK3258_MATT

Edge

01.182=1 GALAXY GREY AS7

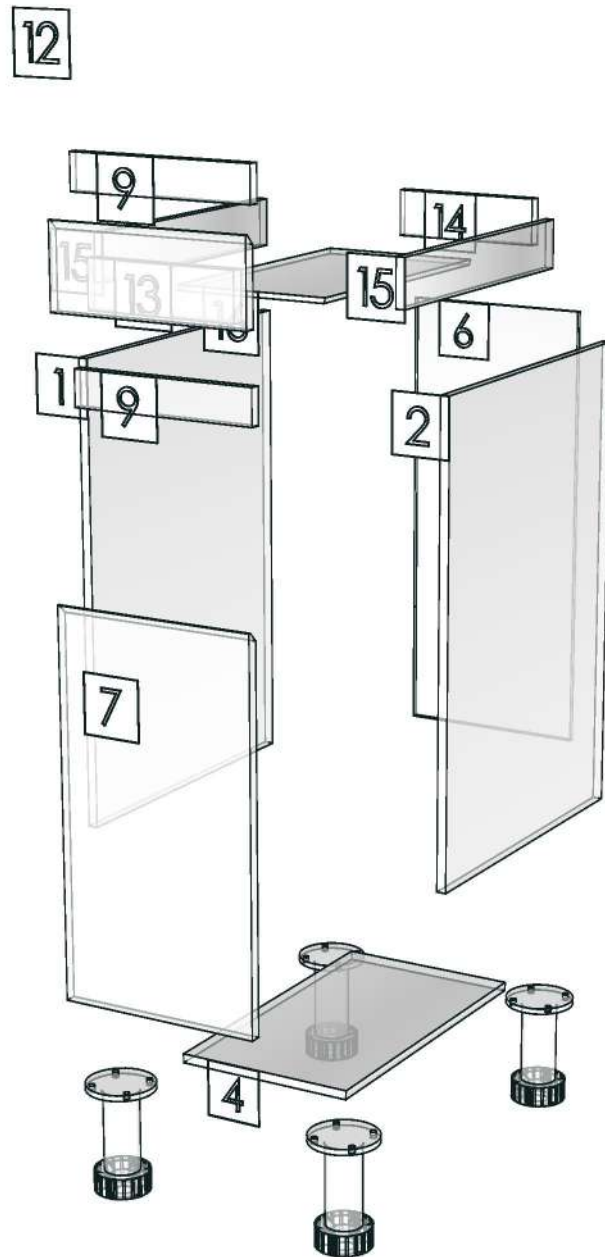
01.157=1 MD229

R&D REVIEW	
<input checked="" type="checkbox"/>	DWG.Customer
<input checked="" type="checkbox"/>	Work Report
<input type="checkbox"/>	Function
<input type="checkbox"/>	สินค้าตรงตัวอย่าง
ผู้ทบทวน _____	

K107-160151534



Model	-ARISE_CRM_DBD352		
Creator		.BCP Name	INDEX_C3D_KITCHEN2
Reviewer		Order	I003824
Approves		Date	



Model	ARISE_CRM_DL85SR		
Creator	PASATHORN	.BCP Name	INDEX_C3D_KITCHEN2
Reviewer		Order	I003830
Approves		Date	23/12/2024

ARISE_CRM_DL85SR-850X300X900

Colour

20.109=ML.GALAXY GREY AS7 (SUPER MATT)
20.05=ML.MK3258_MATT
05.68=ML.BROWN NORDIC#BT1 (MATT WOODGRAIN)

Edge

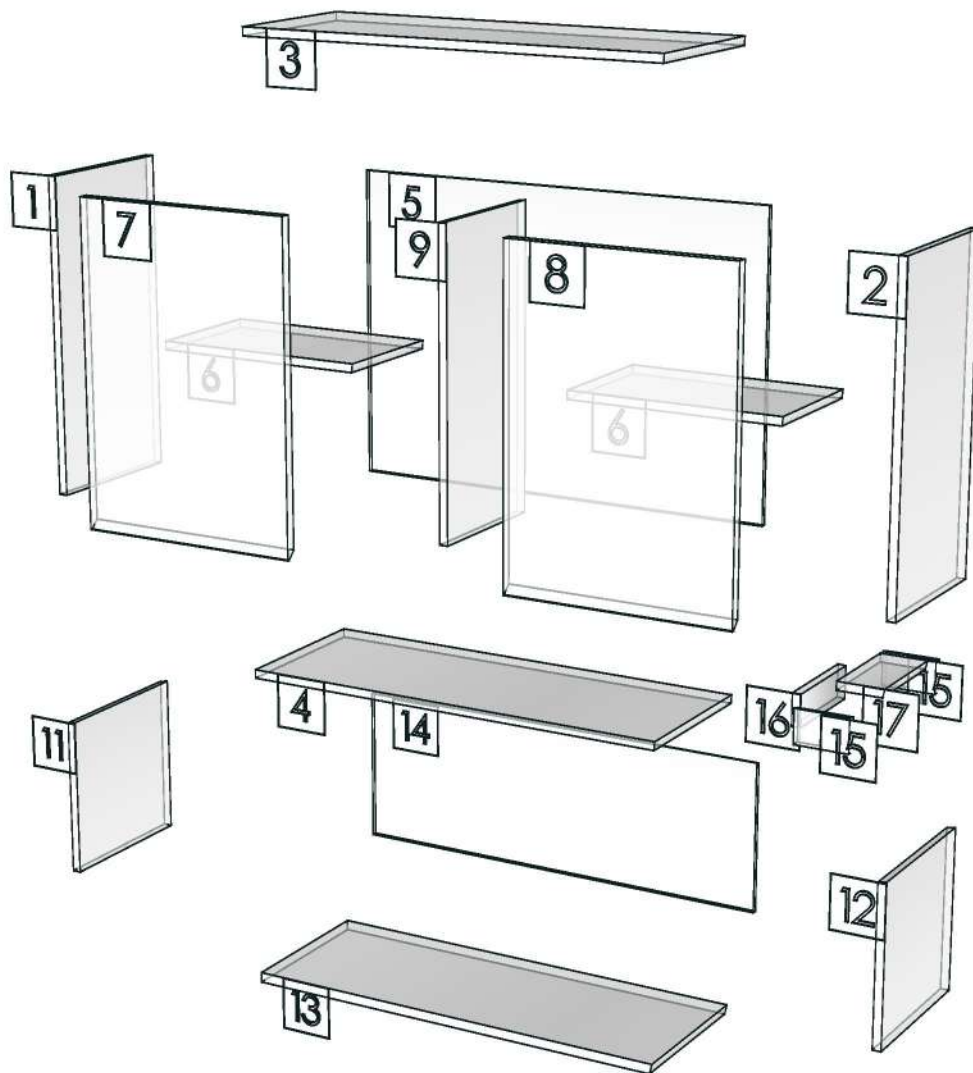
01.182=1 GALAXY GREY AS7
01.157=1 MD229
01.381=1 ML.BROWN NORDIC BT1

R&D REVIEW	
<input checked="" type="checkbox"/>	DWG.Customer
<input checked="" type="checkbox"/>	Work Report
<input type="checkbox"/>	Function
<input type="checkbox"/>	สินค้าตรงตัวอย่าง
ผู้ทบทวน _____	

K107-160151534



Model	-ARISE_CRM_DL85SR		
Creator		.BCP Name	INDEX_C3D_KITCHEN2
Reviewer		Order	I003830
Approves		Date	



Model	ARISE_CRM_DL90S		
Creator	PASATHORN	.BCP Name	INDEX_C3D_KITCHEN2
Reviewer		Order	I003819
Approves	P.SAWAI	Date	20/12/2024

ARISE_CRM_DL90S-900X300X900

Colour

20.109=ML.GALAXY GREY AS7 (SUPER MATT)

20.05=ML.MK3258_MATT

05.68=ML.BROWN NORDIC#BT1 (MATT WOODGRAIN)

Edge

01.182=1 GALAXY GREY AS7

01.157=1 MD229

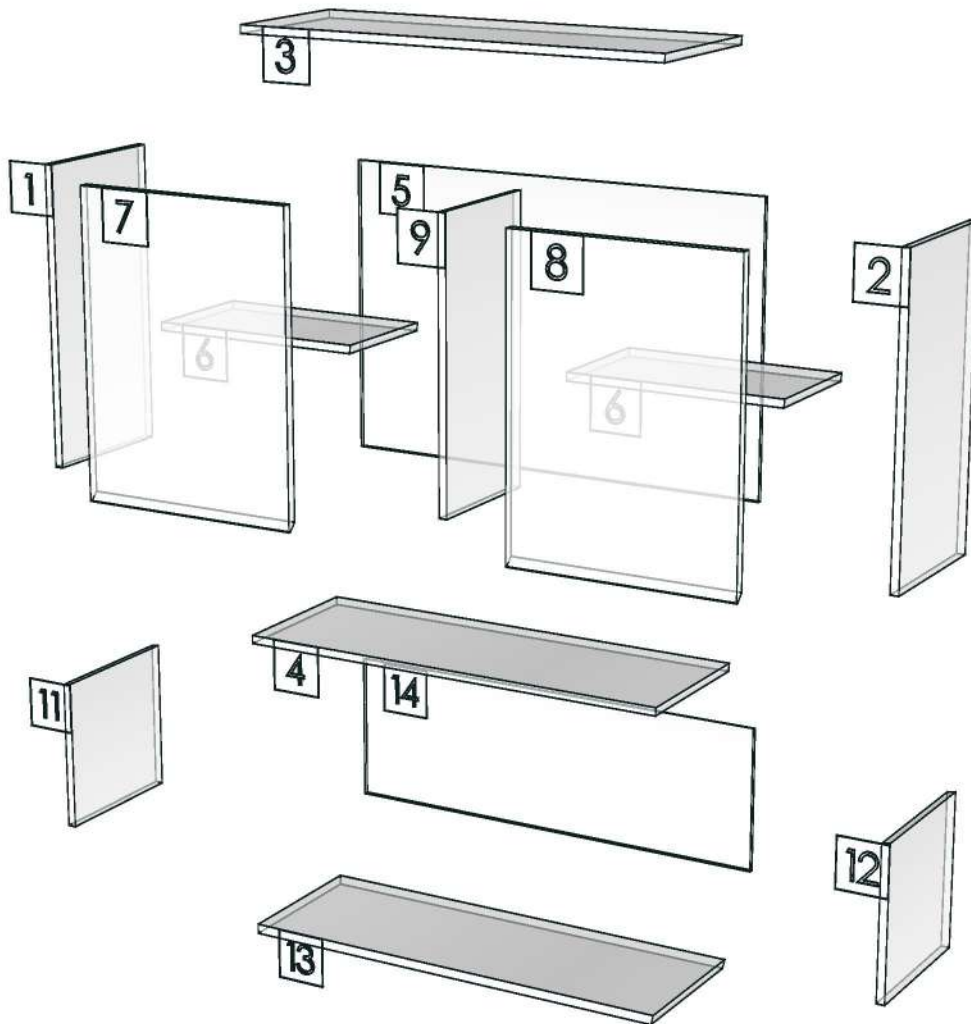
01.381=1 ML.BROWN NORDIC BT1

K105-160151502

R&D REVIEW	
<input checked="" type="checkbox"/>	DWG.Customer
<input checked="" type="checkbox"/>	Work Report
<input type="checkbox"/>	Function
<input type="checkbox"/>	สินค้าตรงตัวอย่าง
ผู้ทบทวน P.SAWAI	
20/12/2024	



Model	-ARISE_CRM_DL90S		
Creator		.BCP Name	INDEX_C3D_KITCHEN2
Reviewer		Order	I003819
Approves	P.SAWAI	Date	



Model	ARISE_CRM_DL60HR		
Creator	PASATHORN	.BCP Name	INDEX_C3D_KITCHEN2
Reviewer		Order	I003301
Approves	P.SAWAI	Date	08/08/2024

ARISE_CRM_DL60HR-600X300X855

Colour

20.109=ML.GALAXY GREY AS7 (SUPER MATT)
20.05=ML.MK3258_MATT

Edge

01.185=1 STATURIO BB4 HG
01.157=1 MD229

R&D REVIEW	
<input checked="" type="checkbox"/>	DWG.Customer
<input checked="" type="checkbox"/>	Work Report
<input type="checkbox"/>	Function
<input type="checkbox"/>	สินค้าตรงตัวอย่าง
ผู้ทบทวน P.SAWAI	
25/8/24	

K100L-160151456

K101L-160151468

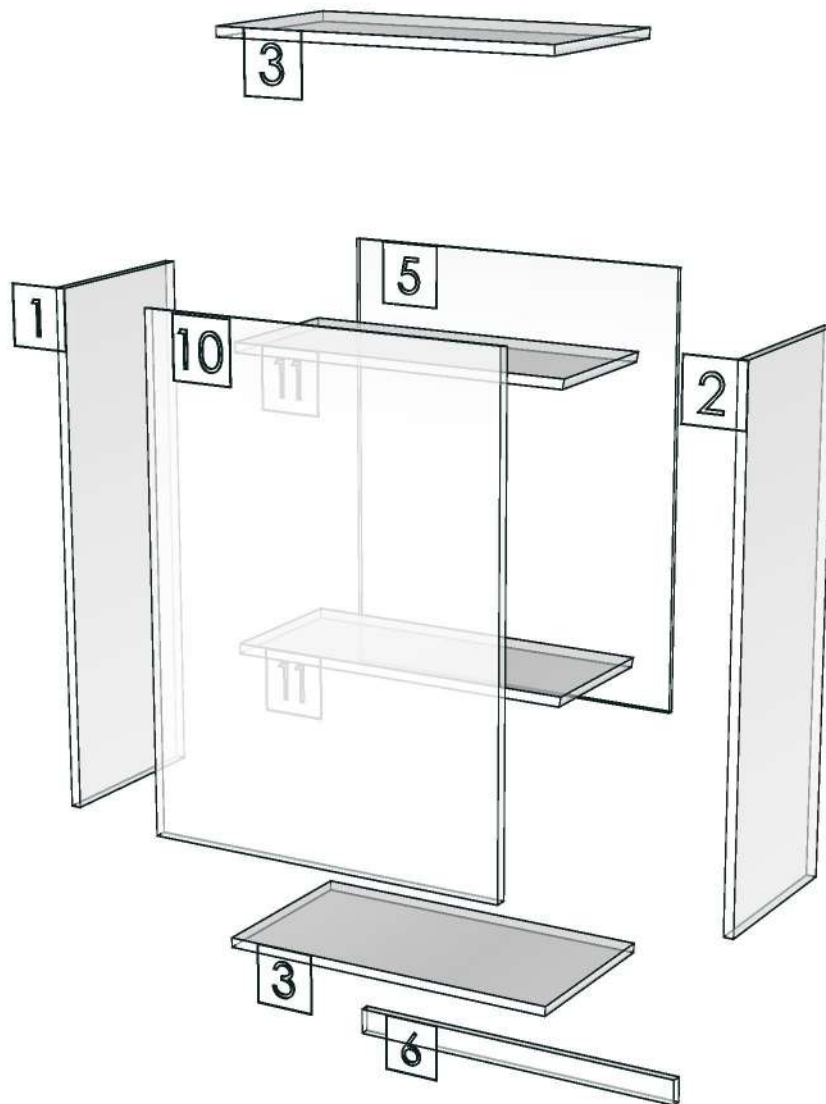
K106L-160151517

K107-160151534

K103-160151495



Model	-ARISE_CRM_DL60HR		
Creator		.BCP Name	INDEX_C3D_KITCHEN2
Reviewer		Order	I003301
Approves		Date	



Model	ARISE_CRM_DL35R		
Creator	PASATHORN	.BCP Name	INDEX_C3D_KITCHEN2
Reviewer		Order	I003817
Approves	P.SAWAI	Date	20/12/2024

ARISE_CRM_DL35R-350X300X900

Colour

20.109=ML.GALAXY GREY AS7 (SUPER MATT)

20.05=ML.MK3258_MATT

Edge

01.182=1 GALAXY GREY AS7

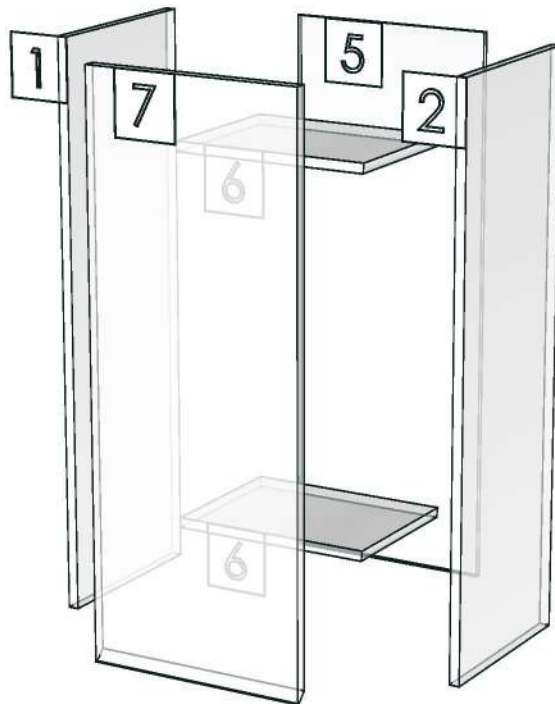
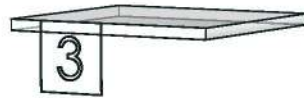
01.157=1 MD229

R&D REVIEW	
<input checked="" type="checkbox"/>	DWG.Customer
<input checked="" type="checkbox"/>	Work Report
<input type="checkbox"/>	Function
<input type="checkbox"/>	สินค้าตรงตัวอย่าง
ผู้ทบทวน P.SAWAI	
20/12/2024	

K107-160151534



Model	-ARISE_CRM_DL35R		
Creator		.BCP Name	INDEX_C3D_KITCHEN2
Reviewer		Order	I003817
Approves	P. SAWAI	Date	



Model	ARISE_CRM_DW80		
Creator	PASATHORN	.BCP Name	INDEX_C3D_KITCHEN2
Reviewer		Order	I003262
Approves		Date	23/07/2024

ARISE_CRM_DW80-800X300X600

Colour

20.109=ML.GALAXY GREY AS7 (SUPER MATT)

20.05=ML.MK3258_MATT

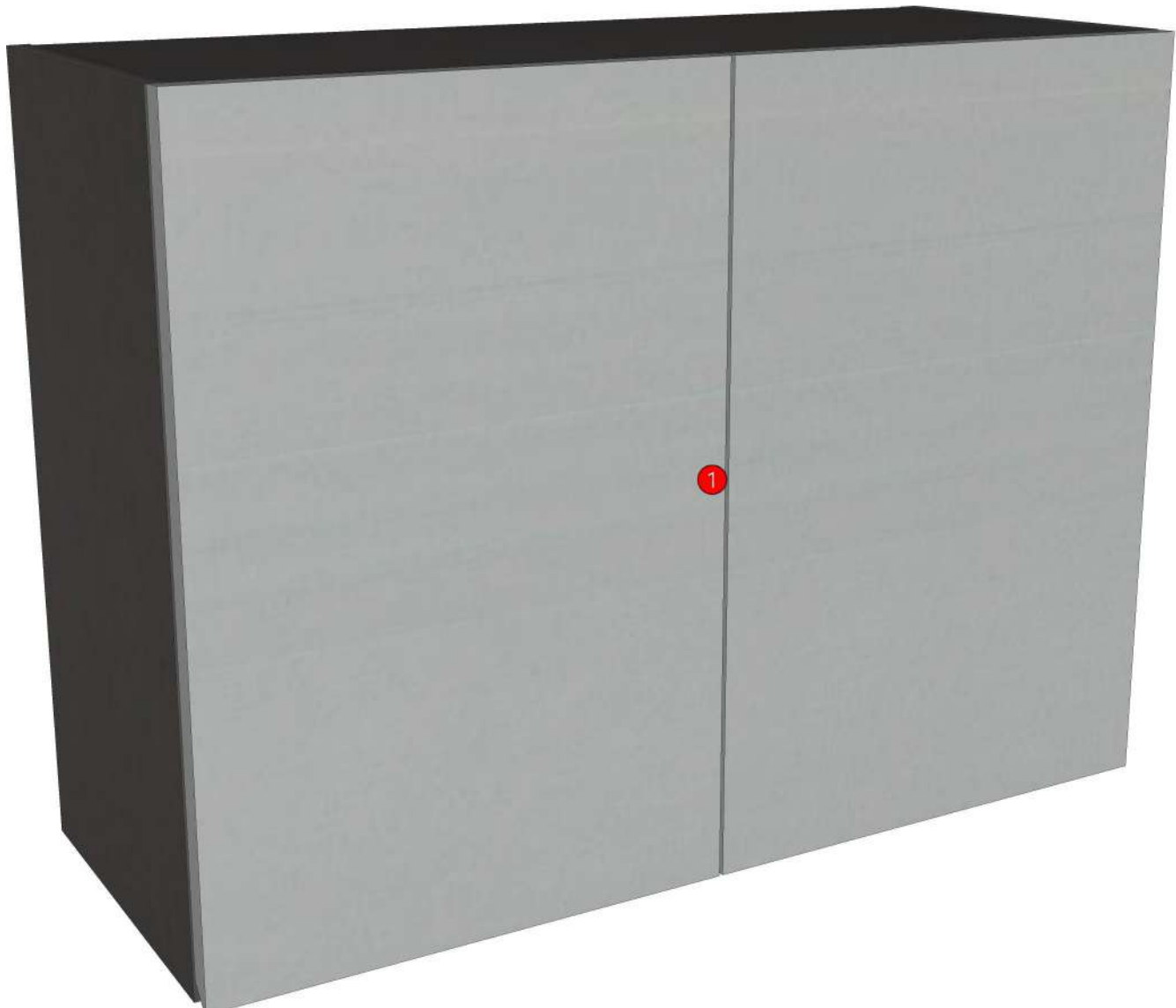
Edge

01.182=1 GALAXY GREY AS7

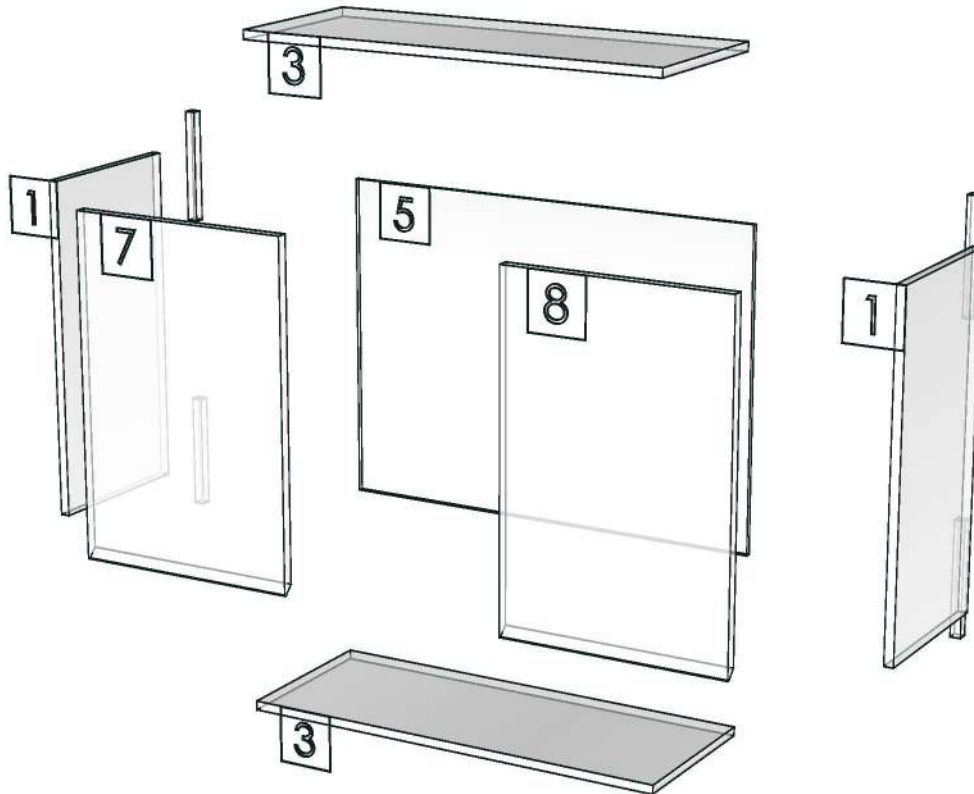
01.157=1 MD229

R&D REVIEW	
<input checked="" type="checkbox"/>	DWG.Customer
<input checked="" type="checkbox"/>	Work Report
<input type="checkbox"/>	Function
<input type="checkbox"/>	สินค้าตรงตัวอย่าง
ผู้ทบทวน _____	

K107-160151534



Model	-ARISE_CRM_DW80		
Creator		.BCP Name	INDEX_C3D_KITCHEN2
Reviewer		Order	I003262
Approves		Date	



Model	ARISE_CRM_D_FLR		
Creator	PASATHORN	.BCP Name	INDEX_C3D_KITCHEN2
Reviewer		Order	I003277
Approves	P.SAWAI	Date	06/08/2024

ARISE_CRM_D_FLR-400X400X16

Colour

05.68=ML.BROWN NORDIC#BT1 (MATT WOODGRAIN)

Edge

01.381=1 ML.BROWN NORDIC BT1

K105-160151502

K106L-160151517

K106R-160146891

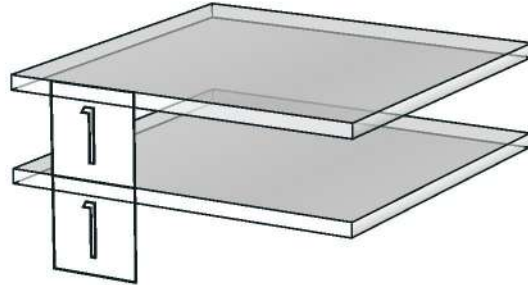
K107-160151534



R&D REVIEW	
<input checked="" type="checkbox"/>	DWG.Customer
<input checked="" type="checkbox"/>	Work Report
<input type="checkbox"/>	Function
<input type="checkbox"/>	สินค้าตรงตัวอย่าง
ผู้ทบทวน P.SAWAI	
06/08/2024	



Model	-ARISE_CRM_D_FLR		
Creator		.BCP Name	INDEX_C3D_KITCHEN2
Reviewer		Order	I003277
Approves		Date	



Model	ARISE_CRM_D_FLR630		
Creator	PASATHORN	.BCP Name	INDEX_C3D_KITCHEN2
Reviewer		Order	I003303
Approves	P.SAWAI	Date	09/08/2024

ARISE_CRM_D_FLR630-630X570X45

Colour

20.109=ML.GALAXY GREY AS7 (SUPER MATT)

Edge

01.182=1 GALAXY GREY AS7

R&D REVIEW	
<input checked="" type="checkbox"/>	DWG.Customer
<input checked="" type="checkbox"/>	Work Report
<input type="checkbox"/>	Function
<input type="checkbox"/>	สินค้าตรงตัวอย่าง
ผู้ทบทวน P.SAWAI	
25/8/24	

K105-160151502



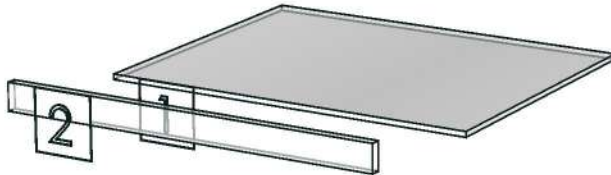
K106L-160151517

K106R-160146891

K107-160151534



Model	-ARISE_CRM_D_FLR630		
Creator		.BCP Name	INDEX_C3D_KITCHEN2
Reviewer		Order	I003303
Approves		Date	



Model	ARISE_CRM_DDM2250		
Creator	PASATHORN	.BCP Name	INDEX_C3D_KITCHEN2
Reviewer		Order	I003245
Approves	P.SAWAI	Date	22/07/2024

ARISE_CRM_DDM2250-2250X6X425

Colour

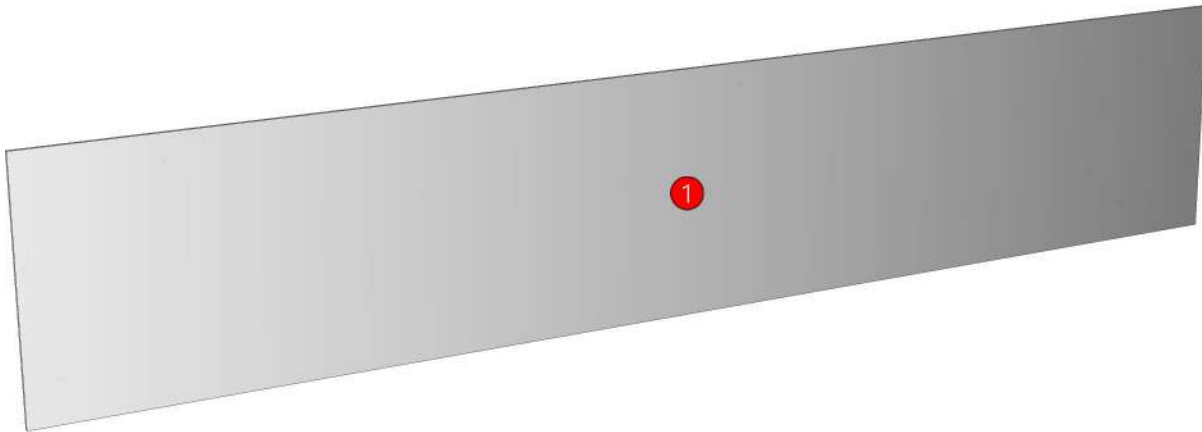
03.13=PVC WHITE#630 T0.15MM.

Edge

=

R&D REVIEW	
<input checked="" type="checkbox"/>	DWG.Customer
<input checked="" type="checkbox"/>	Work Report
<input type="checkbox"/>	Function
<input type="checkbox"/>	สินค้าตรงตัวอย่าง
ผู้ทบทวน P.SAWAI	
22/07/2024	

K107L-160151534



Model	ARISE_CRM_DFB		
Creator	PASATHORN	.BCP Name	INDEX_C3D_KITCHEN2
Reviewer		Order	I003288
Approves	P.SAWAI	Date	06/08/2024

ARISE_CRM_DFB-150X16X801

Colour
20.05=ML.MK3258_MATT

Edge
01.157=1 MD229

R&D REVIEW

- DWG.Customer
- Work Report
- Function
- สินค้าตรงตัวอย่าง

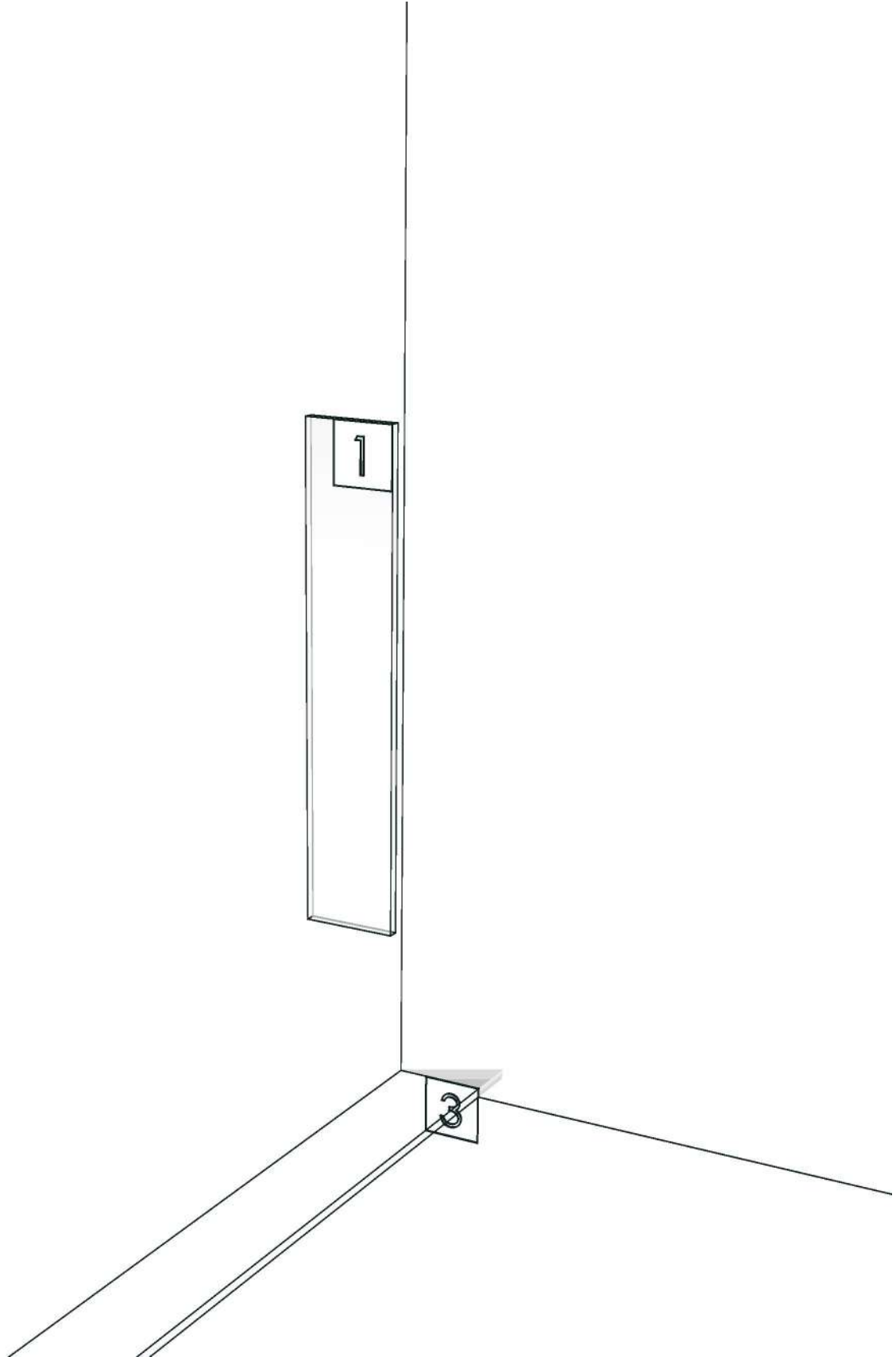
ผู้ทบทวน P.SAWAI

[Signature]

K105-160151502
K106L-160151517
K106R-160146891
K107-160151534



Model	-ARISE_CRM_DFB		
Creator		.BCP Name	INDEX_C3D_KITCHEN2
Reviewer		Order	I003288
Approves		Date	



Model	ARISE_CRM_DFLS		
Creator	PASATHORN	.BCP Name	INDEX_C3D_KITCHEN2
Reviewer		Order	I003259
Approves	P.SAWAI	Date	23/07/2024

ARISE_CRM_DFLS-150X16X900

Colour

05.68=ML.BROWN NORDIC#BT1 (MATT WOODGRAIN)
20.05=ML.MK3258_MATT

Edge

01.381=1 ML.BROWN NORDIC BT1
01.157=1 MD229

R&D REVIEW	
<input checked="" type="checkbox"/>	DWG.Customer
<input checked="" type="checkbox"/>	Work Report
<input type="checkbox"/>	Function
<input type="checkbox"/>	สินค้าตรงตัวอย่าง
ผู้ทบทวน P.SAWAI	
23/07/2024	

K105-160151502

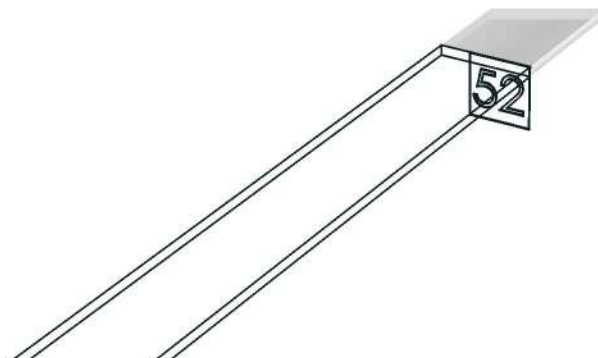
K106L-160151517

K106R-160146891

K107-160151534



Model	-ARISE_CRM_DFLS		
Creator		.BCP Name	INDEX_C3D_KITCHEN2
Reviewer		Order	I003259
Approves		Date	



Model	ARISE_CRM_DDM225		
Creator	PASATHORN	.BCP Name	INDEX_C3D_KITCHEN2
Reviewer		Order	I003251
Approves	P.SAWAI	Date	22/07/2024

ARISE_CRM_DDM225-2250X16X150

Colour

20.109=ML.GALAXY GREY AS7 (SUPER MATT)

Edge

01.182=1 GALAXY GREY AS7

R&D REVIEW	
<input checked="" type="checkbox"/>	DWG.Customer
<input checked="" type="checkbox"/>	Work Report
<input type="checkbox"/>	Function
<input type="checkbox"/>	สินค้าตรงตัวอย่าง
ผู้ทบทวน P.SAWAI	
22/07/2024	

K107L-160151534



Model	ARISE_CRM_DF_CL1950		
Creator	PASATHORN	.BCP Name	INDEX_C3D_KITCHEN2
Reviewer		Order	I003240
Approves	P.SAWAI	Date	19/07/2024

ARISE_CRM_DF_CL1950-1950X16X150

Colour

20.109=ML.GALAXY GREY AS7 (SUPER MATT)

Edge

01.182=1 GALAXY GREY AS7

R&D REVIEW	
<input checked="" type="checkbox"/>	DWG.Customer
<input checked="" type="checkbox"/>	Work Report
<input type="checkbox"/>	Function
<input type="checkbox"/>	สินค้าตรงตัวอย่าง
ผู้ทบทวน P.SAWAI	
19/07/24	

K107L-160151534



Model	ARISE_CRM_DF_CL300		
Creator	PASATHORN	.BCP Name	INDEX_C3D_KITCHEN2
Reviewer		Order	I003286
Approves	P.SAWAI	Date	06/08/2024

ARISE_CRM_DF_CL300-300X16X150

Colour

20.109=ML.GALAXY GREY AS7 (SUPER MATT)

Edge

01.182=1 GALAXY GREY AS7

R&D REVIEW

- DWG.Customer
- Work Report
- Function
- สินค้าตรงตัวอย่าง

ผู้ทบทวน P.SAWAI

K100L-160151456

K100R-160146862

K101L-160151468

K101R-160146874

K105-160151502

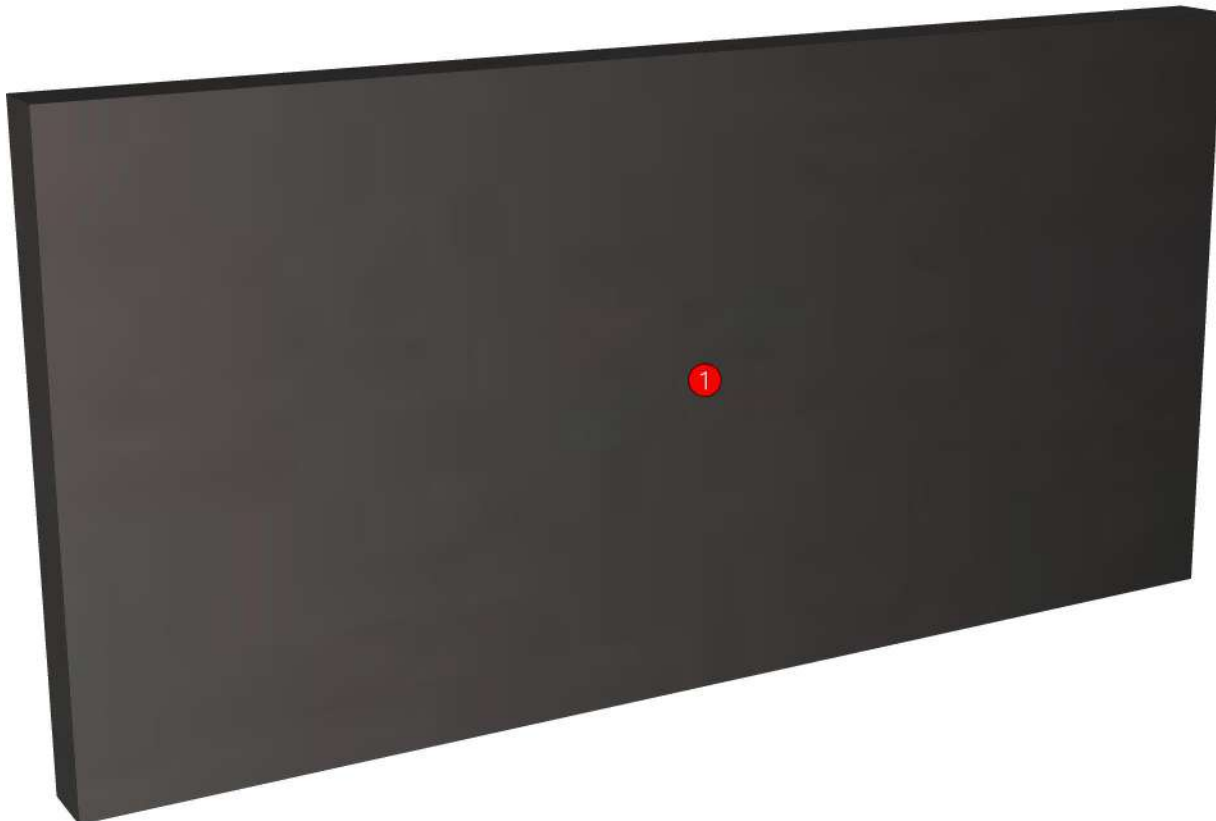
K106L-160151517

K106R-160146891

K107-160151534

K103-160151495

K104-160151495



Model	ARISE_CRM_DUT1200		
Creator	PASATHORN	.BCP Name	INDEX_C3D_KITCHEN2
Reviewer		Order	I003294
Approves	P.SAWAI	Date	06/08/2024

ARISE_CRM_DUT1200-1200X60X12

Colour
05.01=ML WHITE VM1012 18/18

Edge
01.47=1 WHITE

R&D REVIEW

- DWG.Customer
- Work Report
- Function
- สินค้าตรงตัวอย่าง

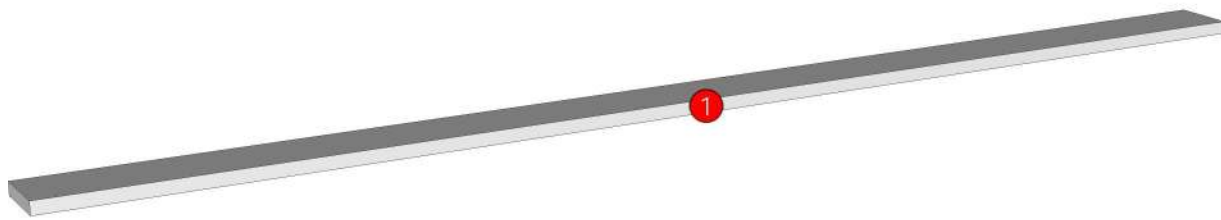
ผู้ทบทวน P.SAWAI

K101L-160151468
K101R-160146874

K105-160151502



K107-160151534



Model	-ARISE_CRM_DUT500		
Creator		.BCP Name	INDEX_C3D_KITCHEN2
Reviewer		Order	I003293
Approves		Date	



Model	ARISE_CRM_D_PLT700		
Creator	PASATHORN	.BCP Name	INDEX_C3D_KITCHEN2
Reviewer		Order	I003227
Approves	P.SAWAI	Date	18/07/2024

ARISE_CRM_D_PLT700-700X9X100

Colour

20.109=ML.GALAXY GREY AS7 (SUPER MATT)

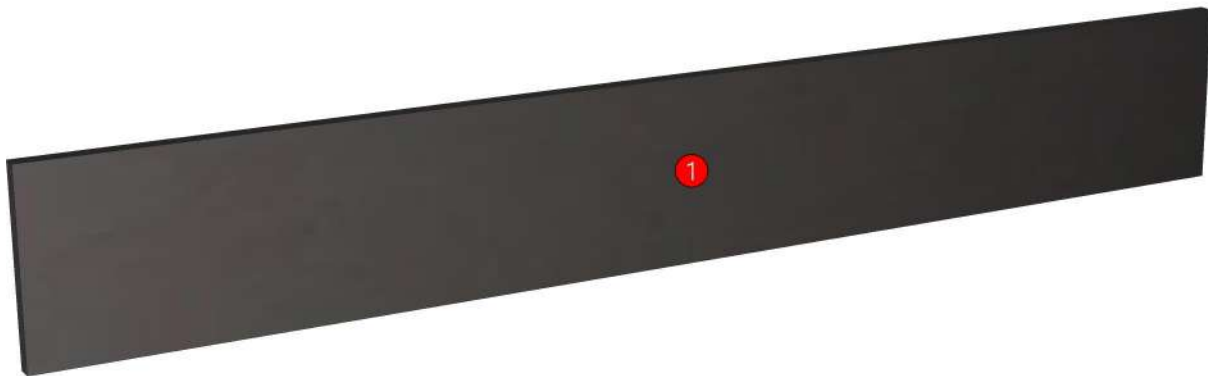
Edge

01.182=1 GALAXY GREY AS7

K105-160151502
K106L-160151517
K106R-160146891
K107-160151534



R&D REVIEW	
<input checked="" type="checkbox"/>	DWG.Customer
<input checked="" type="checkbox"/>	Work Report
<input type="checkbox"/>	Function
<input type="checkbox"/>	สินค้าตรงตัวอย่าง
ผู้ทบทวน P.SAWAI	
18/07/2024	



Model	-ARISE_CRM_D_PLT700		
Creator		.BCP Name	INDEX_C3D_KITCHEN2
Reviewer		Order	I003227
Approves		Date	



Model	ARISE_CRM_D_PLT600		
Creator	PASATHORN	.BCP Name	INDEX_C3D_KITCHEN2
Reviewer		Order	I003279
Approves	P.SAWAI	Date	06/08/2024

ARISE_CRM_D_PLT600-600X9X100

Colour

20.109=ML.GALAXY GREY AS7 (SUPER MATT)

Edge

01.182=1 GALAXY GREY AS7

K100L-160151456

K100R-160146862

K101L-160151468

K101R-160146874

K105-160151502

K106L-160151517

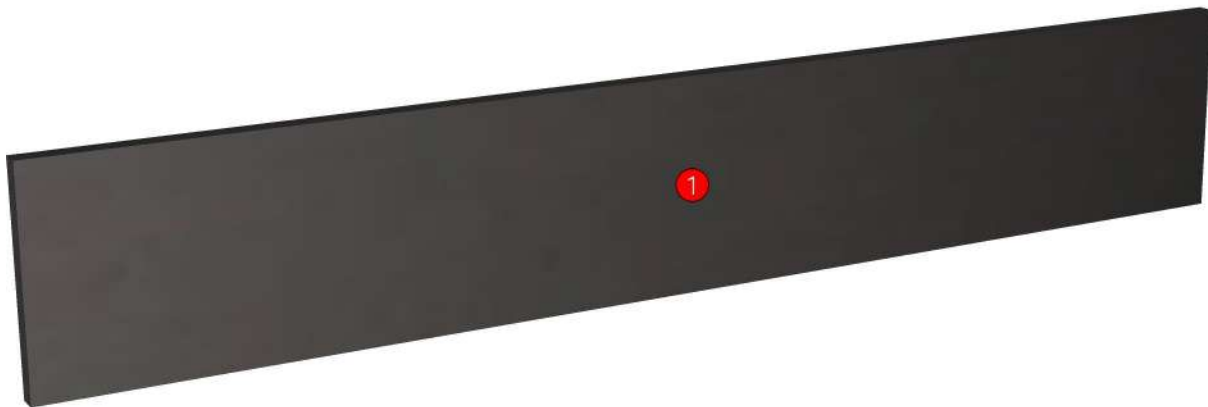
K106R-160146891

K107-160151534

K103-160151495

K104-160151495

R&D REVIEW	
<input checked="" type="checkbox"/>	DWG.Customer
<input checked="" type="checkbox"/>	Work Report
<input type="checkbox"/>	Function
<input type="checkbox"/>	สินค้าตรงตัวอย่าง
ผู้ทบทวน P.SAWAI	
25/8/24	



Model	ARISE_CRM_D_PLT350		
Creator	PASATHORN	.BCP Name	INDEX_C3D_KITCHEN2
Reviewer		Order	I003226
Approves	P.SAWAI	Date	18/07/2024

ARISE_CRM_D_PLT350-350X9X100

Colour

20.109=ML.GALAXY GREY AS7 (SUPER MATT)

Edge

01.182=1 GALAXY GREY AS7

R&D REVIEW	
<input checked="" type="checkbox"/>	DWG.Customer
<input checked="" type="checkbox"/>	Work Report
<input type="checkbox"/>	Function
<input type="checkbox"/>	สินค้าตรงตัวอย่าง
ผู้ทบทวน P.SAWAI	
18/07/2024	

K107L-160151534

