

Model	ARISE_CRM_DBS55L		
Creator	PASATHORN	.BCP Name	INDEX_C3D_KITCHEN2
Reviewer		Order	I003813
Approves		Date	18/12/2024

ARISE_CRM_DBS55L-550X570X901

Colour

20.109=ML.GALAXY GREY AS7 (SUPER MATT)

20.05=ML.MK3258_MATT

Edge

01.182=1 GALAXY GREY AS7

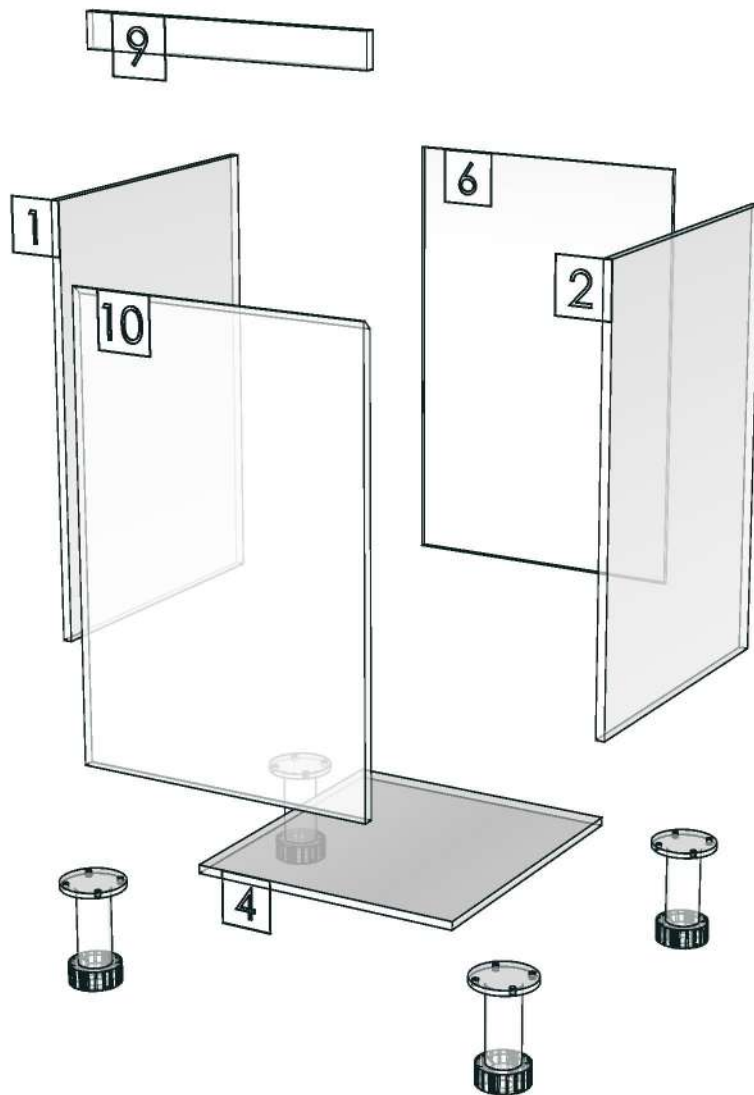
01.157=1 MD229

K106L-160151517

R&D REVIEW	
<input checked="" type="checkbox"/>	DWG.Customer
<input checked="" type="checkbox"/>	Work Report
<input type="checkbox"/>	Function
<input type="checkbox"/>	สินค้าตรงตัวอย่าง
ผู้ทบทวน _____	



Model	-ARISE_CRM_DBS55L		
Creator		.BCP Name	INDEX_C3D_KITCHEN2
Reviewer		Order	I003813
Approves		Date	



Model	ARISE_CRM_DBD601		
Creator	PASATHORN	.BCP Name	INDEX_C3D_KITCHEN2
Reviewer		Order	I003273
Approves	P.SAWAI	Date	30/07/2024

ARISE_CRM_DBD601-600X570X901

Colour

20.109=ML.GALAXY GREY AS7 (SUPER MATT)
20.05=ML.MK3258_MATT

Edge

01.182=1 GALAXY GREY AS7
01.157=1 MD229

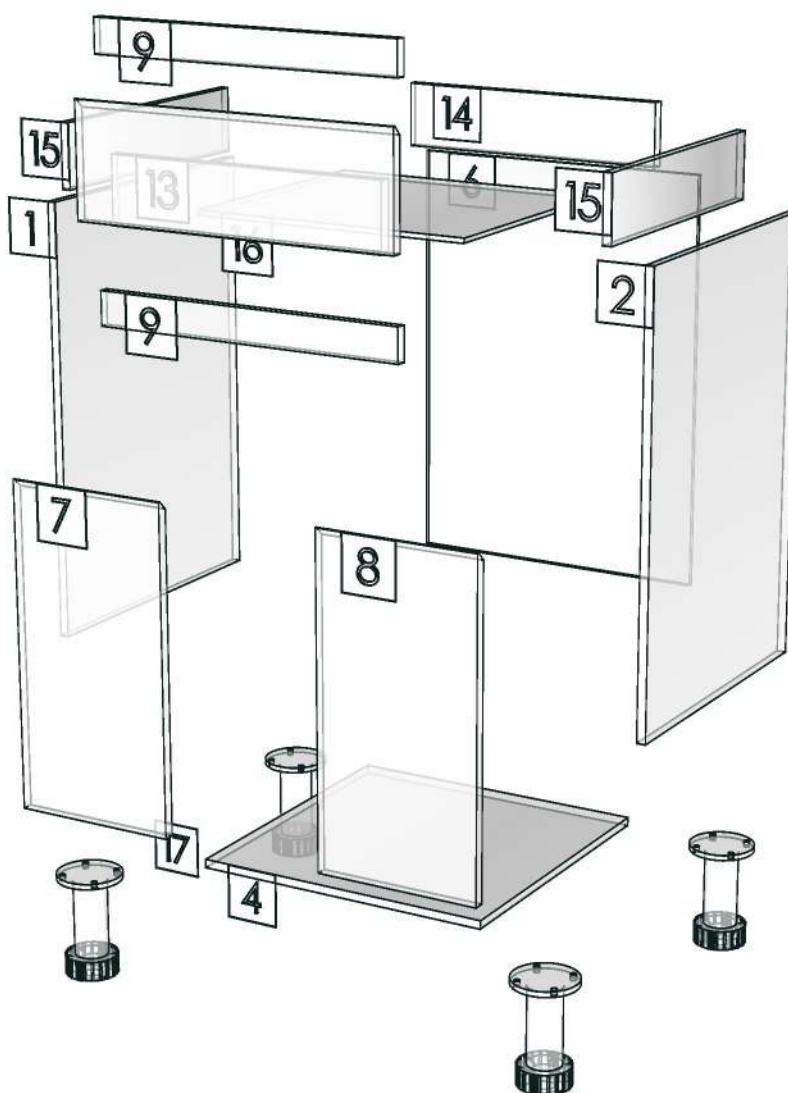
R&D REVIEW	
<input checked="" type="checkbox"/>	DWG.Customer
<input checked="" type="checkbox"/>	Work Report
<input type="checkbox"/>	Function
<input type="checkbox"/>	สินค้าตรงตัวอย่าง
ผู้ทบทวน <u>P.SAWAI</u>	
<u>30/07/2024</u>	

K106L-160151517
K106R-160146891



Model	-ARISE_CRM_DBD601	.BCP Name	INDEX_C3D_KITCHEN2
Creator		Order	I003273
Reviewer		Date	
Approves			

12



Model	ARISE_CRM_DBD551L		
Creator	PASATHORN	.BCP Name	INDEX_C3D_KITCHEN2
Reviewer		Order	I003815
Approves		Date	18/12/2024

ARISE_CRM_DBD551L-550X570X901

Colour

20.109=ML.GALAXY GREY AS7 (SUPER MATT)

20.05=ML.MK3258_MATT

Edge

01.182=1 GALAXY GREY AS7

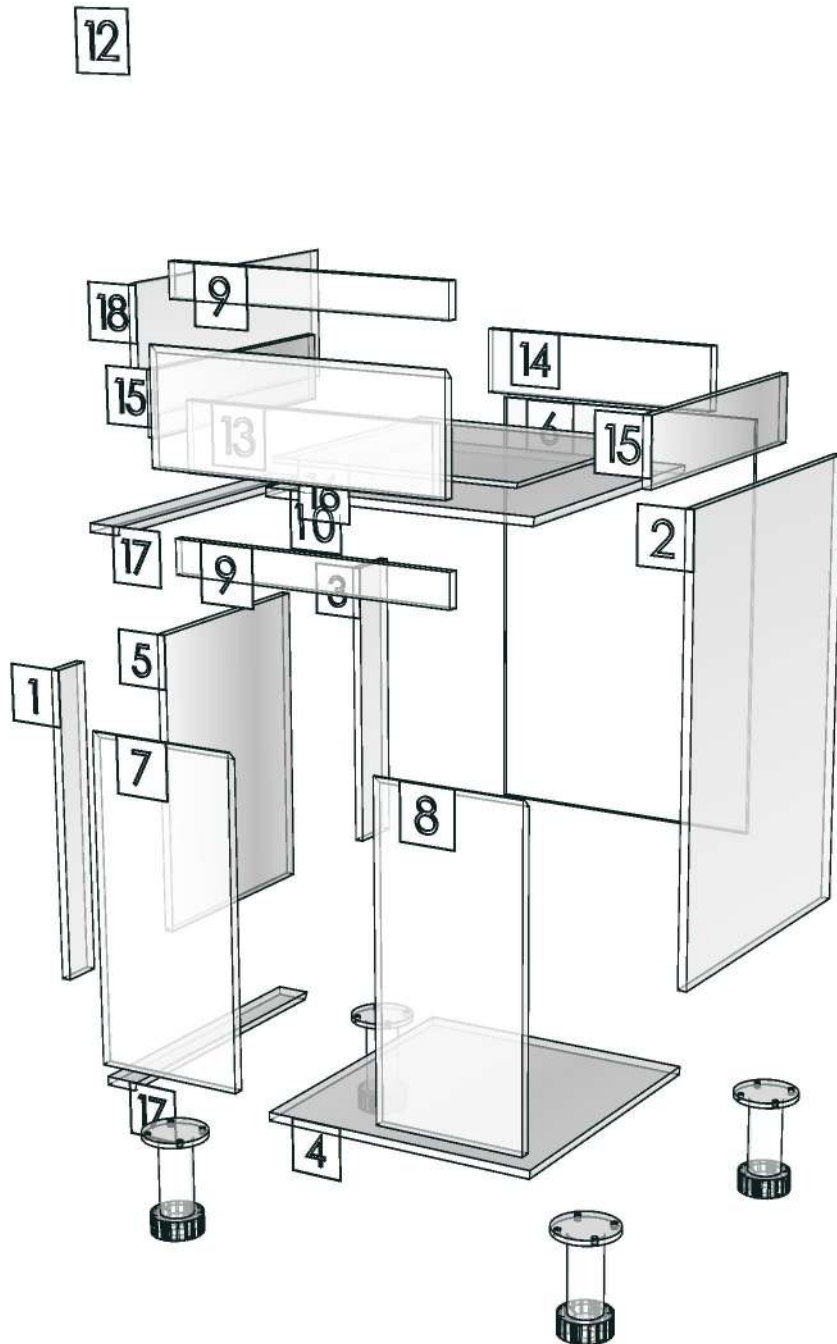
01.157=1 MD229

K106L-160151517

R&D REVIEW	
<input checked="" type="checkbox"/>	DWG.Customer
<input checked="" type="checkbox"/>	Work Report
<input type="checkbox"/>	Function
<input type="checkbox"/>	สินค้าตรงตัวอย่าง
ผู้ทบทวน _____	



Model	-ARISE_CRM_DBD551L		
Creator		.BCP Name	INDEX_C3D_KITCHEN2
Reviewer		Order	I003815
Approves		Date	



Model	ARISE_CRM_DBMV60		
Creator	PASATHORN	.BCP Name	INDEX_C3D_KITCHEN2
Reviewer		Order	I003280
Approves	P. SAWAI	Date	06/08/2024

ARISE_CRM_DBMV60-600X570X901

Colour

20.109=ML.GALAXY GREY AS7 (SUPER MATT)
20.05=ML.MK3258_MATT

Edge

01.182=1 GALAXY GREY AS7
01.157=1 MD229

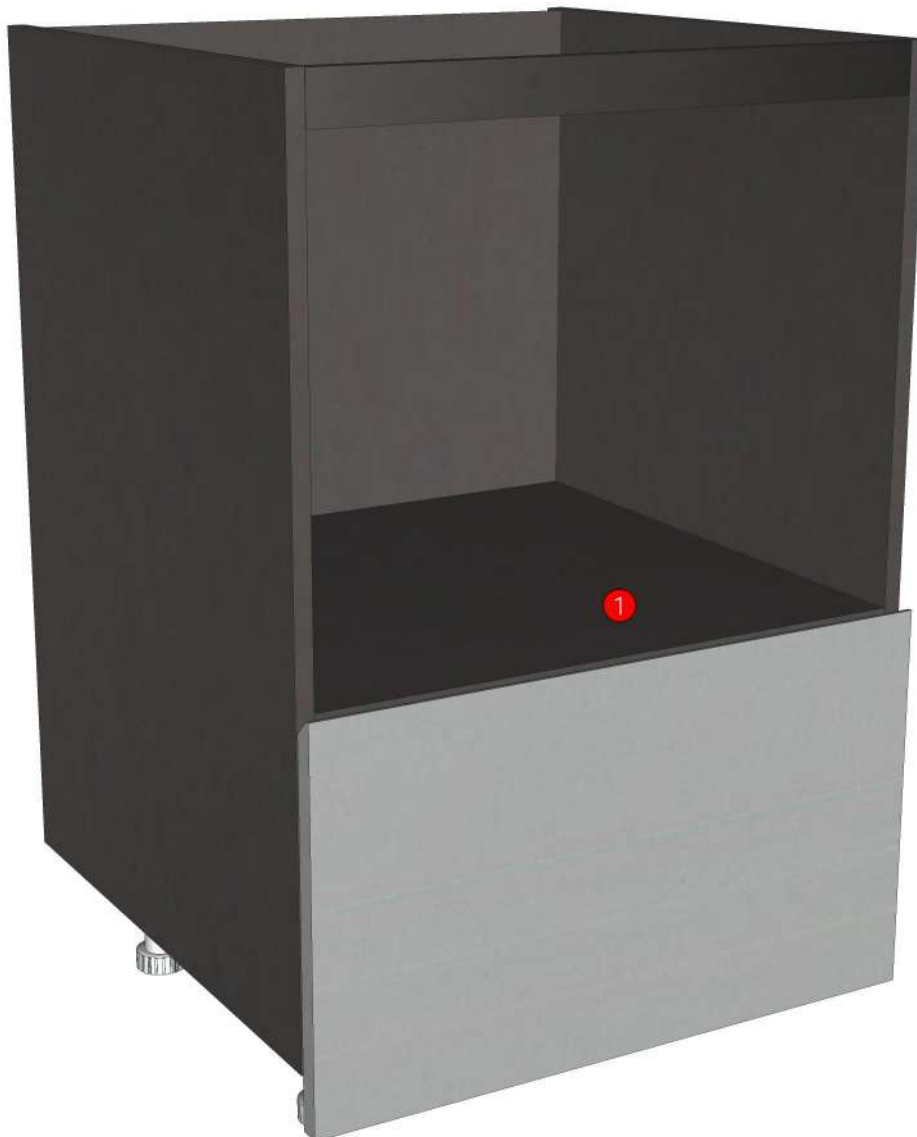
K105-160151502
K106L-160151517
K106R-160146891



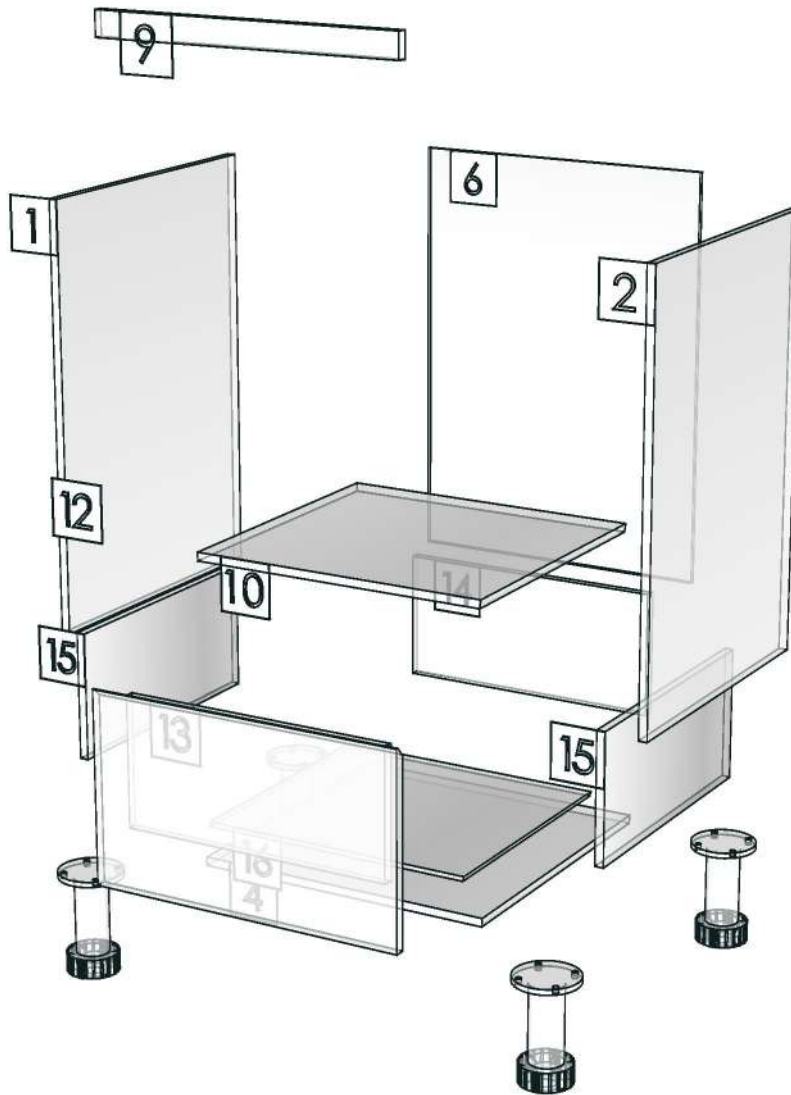
R&D REVIEW

- DWG.Customer
- Work Report
- Function
- สินค้าตรงตัวอย่าง

ผู้ทบทวน P.SAWAI
25/8/24



Model	-ARISE_CRM_DBMV60		
Creator		.BCP Name	INDEX_C3D_KITCHEN2
Reviewer		Order	I003280
Approves		Date	



Model	ARISE_CRM_DL60LS		
Creator	PASATHORN	.BCP Name	INDEX_C3D_KITCHEN2
Reviewer		Order	I003809
Approves		Date	18/12/2024

ARISE_CRM_DL60LS-600X300X900

Colour

20.109=ML.GALAXY GREY AS7 (SUPER MATT)

20.05=ML.MK3258_MATT

05.68=ML.BROWN NORDIC#BT1 (MATT WOODGRAIN)

Edge

01.182=1 GALAXY GREY AS7

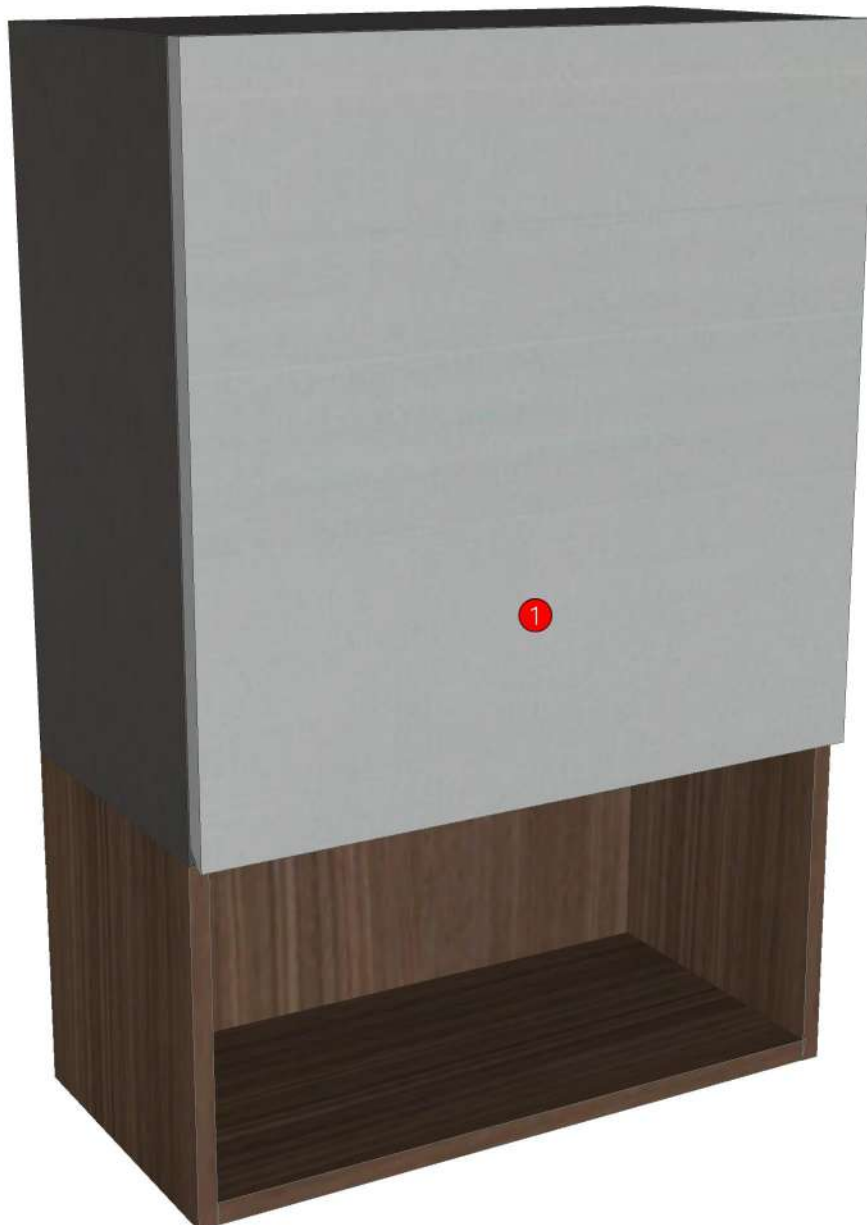
01.157=1 MD229

01.381=1 ML.BROWN NORDIC BT1

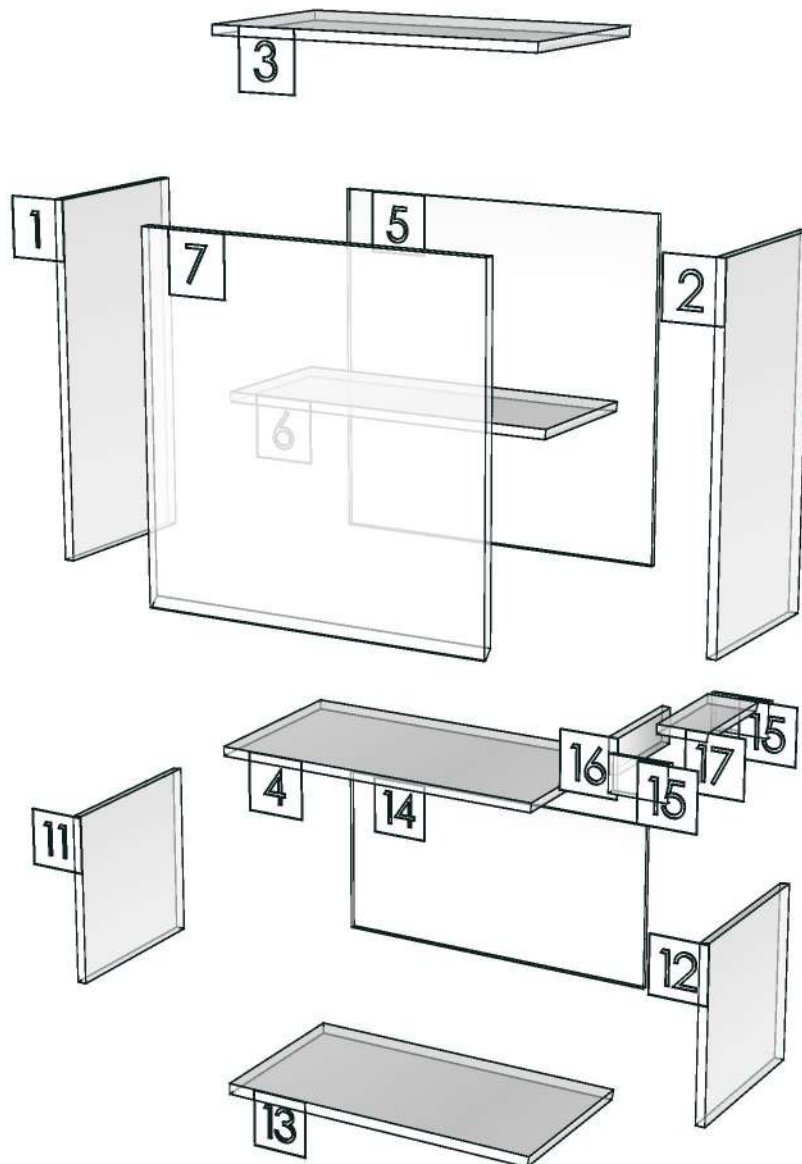
K101L-160151468

K106L-160151517

R&D REVIEW	
<input checked="" type="checkbox"/>	DWG.Customer
<input checked="" type="checkbox"/>	Work Report
<input type="checkbox"/>	Function
<input type="checkbox"/>	สินค้าตรงตัวอย่าง
ผู้ทบทวน _____	



Model	-ARISE_CRM_DL60LS		
Creator		.BCP Name	INDEX_C3D_KITCHEN2
Reviewer		Order	I003809
Approves		Date	



Model	ARISE_CRM_DL80S		
Creator	PASATHORN	.BCP Name	INDEX_C3D_KITCHEN2
Reviewer		Order	I003292
Approves	P.SAWAI	Date	06/08/2024

ARISE_CRM_DL80S-800X300X900

Colour

20.109=ML.GALAXY GREY AS7 (SUPER MATT)

20.05=ML.MK3258_MATT

05.68=ML.BROWN NORDIC#BT1 (MATT WOODGRAIN)

Edge

01.182=1 GALAXY GREY AS7

01.157=1 MD229

01.381=1 ML.BROWN NORDIC BT1

R&D REVIEW	
<input checked="" type="checkbox"/>	DWG.Customer
<input checked="" type="checkbox"/>	Work Report
<input type="checkbox"/>	Function
<input type="checkbox"/>	สินค้าตรงตัวอย่าง
ผู้ทบทวน P.SAWAI	
25/8/24	

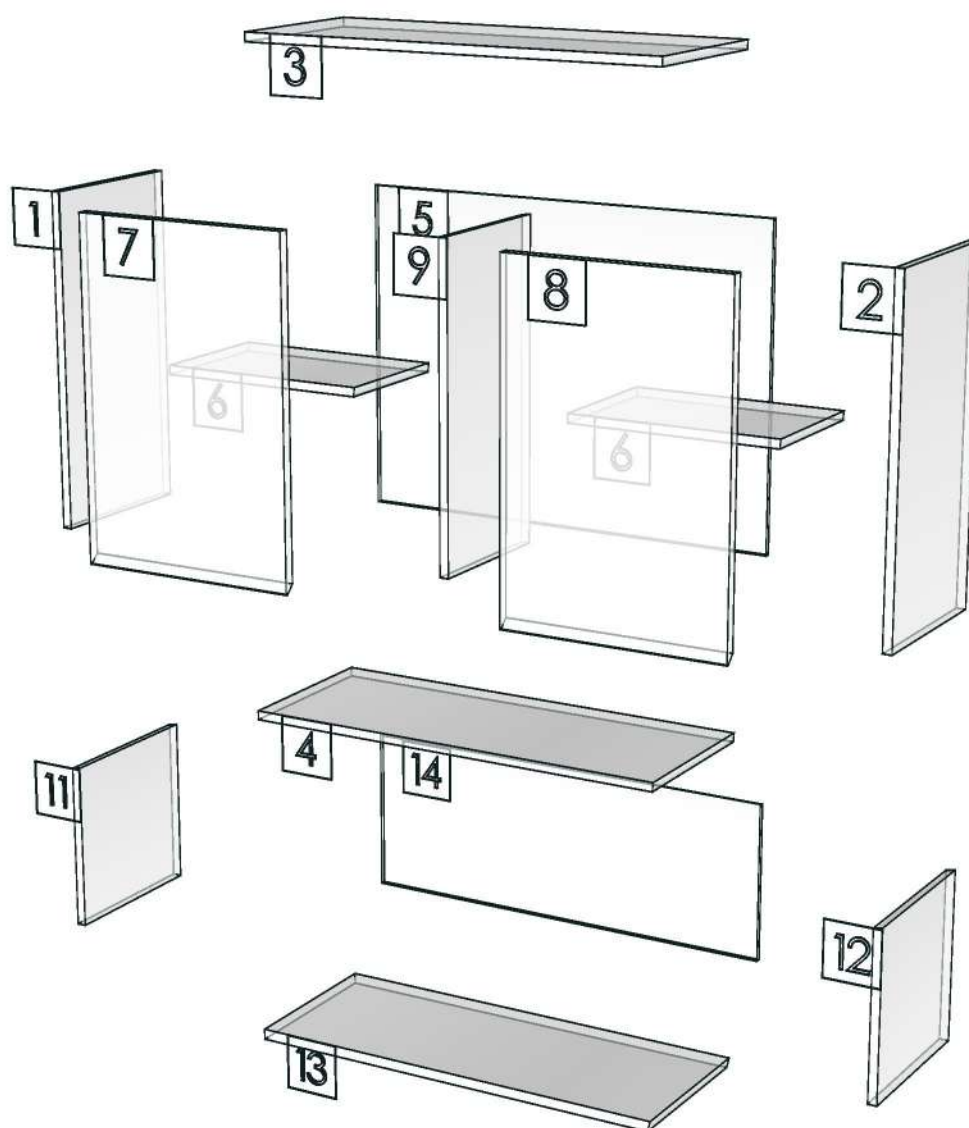
K106L-160151517



K106R-160146891



Model	-ARISE_CRM_DL80S		
Creator		.BCP Name	INDEX_C3D_KITCHEN2
Reviewer		Order	I003292
Approves		Date	



Model	ARISE_CRM_DL60HR		
Creator	PASATHORN	.BCP Name	INDEX_C3D_KITCHEN2
Reviewer		Order	I003301
Approves	P.SAWAI	Date	08/08/2024

ARISE_CRM_DL60HR-600X300X855

Colour

20.109=ML.GALAXY GREY AS7 (SUPER MATT)
20.05=ML.MK3258_MATT

Edge

01.185=1 STATURIO BB4 HG
01.157=1 MD229

R&D REVIEW	
<input checked="" type="checkbox"/>	DWG.Customer
<input checked="" type="checkbox"/>	Work Report
<input type="checkbox"/>	Function
<input type="checkbox"/>	สินค้าตรงตัวอย่าง
ผู้ทบทวน P.SAWAI	

K100L-160151456

K101L-160151468

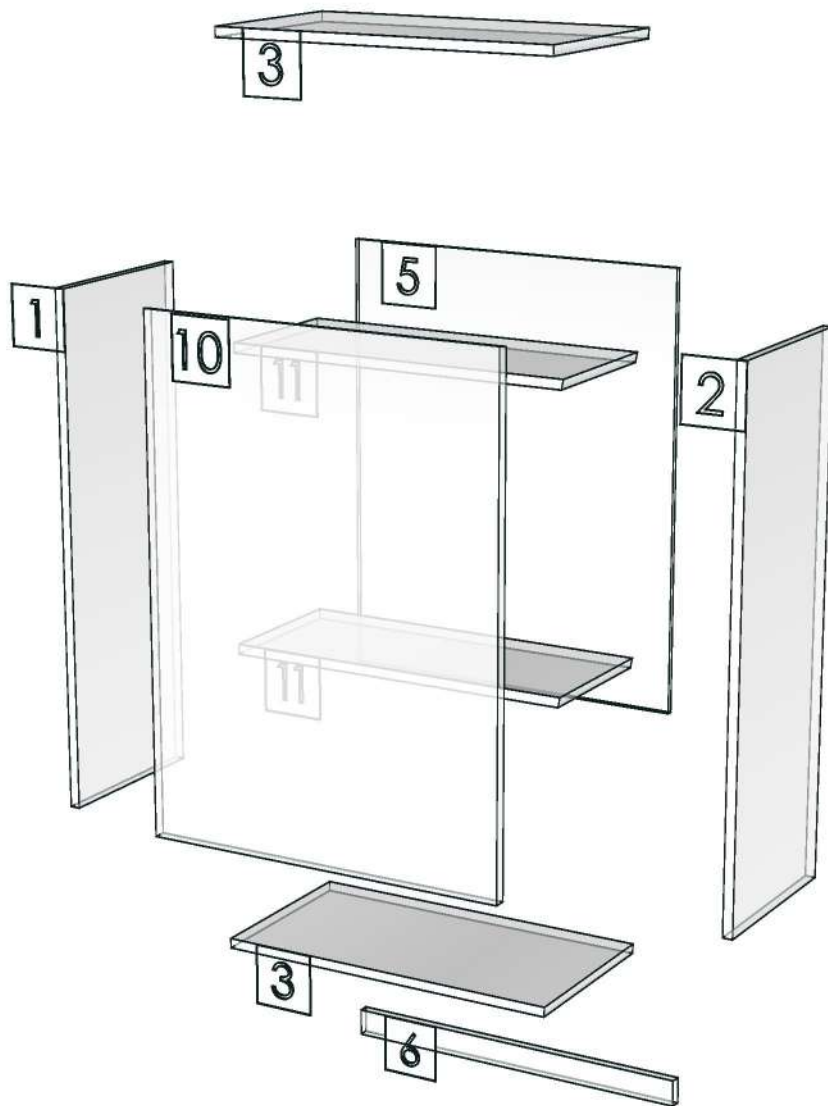
K106L-160151517

K107-160151534

K103-160151495



Model	-ARISE_CRM_DL60HR		
Creator		.BCP Name	INDEX_C3D_KITCHEN2
Reviewer		Order	I003301
Approves		Date	



Model	ARISE_CRM_DL60R		
Creator	PASATHORN	.BCP Name	INDEX_C3D_KITCHEN2
Reviewer		Order	I003807
Approves		Date	18/12/2024

ARISE_CRM_DL60R-600X300X900

Colour

20.109=ML.GALAXY GREY AS7 (SUPER MATT)
20.05=ML.MK3258_MATT

Edge

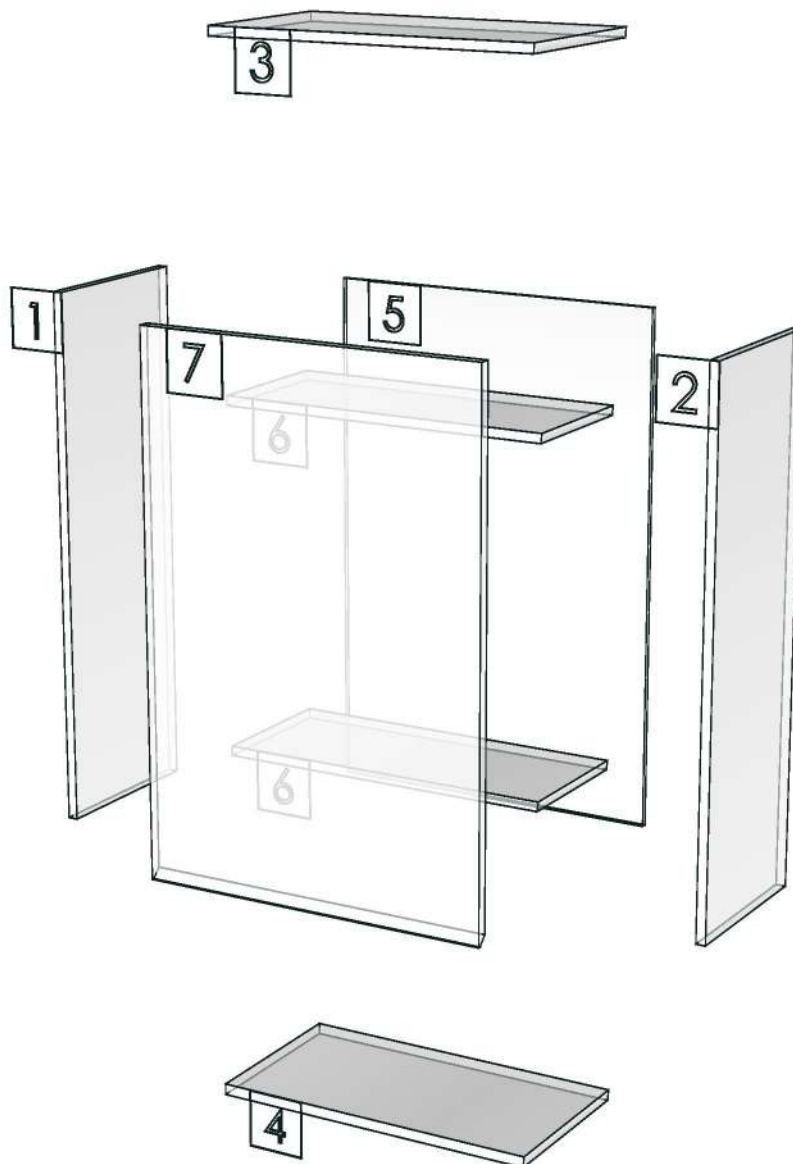
01.182=1 GALAXY GREY AS7
01.157=1 MD229

K106L-160151517

R&D REVIEW	
<input checked="" type="checkbox"/>	DWG.Customer
<input checked="" type="checkbox"/>	Work Report
<input type="checkbox"/>	Function
<input type="checkbox"/>	สินค้าตรงตัวอย่าง
ผู้ทบทวน _____	



Model	-ARISE_CRM_DL60R		
Creator		.BCP Name	INDEX_C3D_KITCHEN2
Reviewer		Order	I003807
Approves		Date	



Model	ARISE_CRM_DW90		
Creator	PASATHORN	.BCP Name	INDEX_C3D_KITCHEN2
Reviewer		Order	I003255
Approves	P.SAWAI	Date	22/07/2024

ARISE_CRM_DW90-900X300X600

Colour

20.109=ML.GALAXY GREY AS7 (SUPER MATT)

20.05=ML.MK3258_MATT

Edge

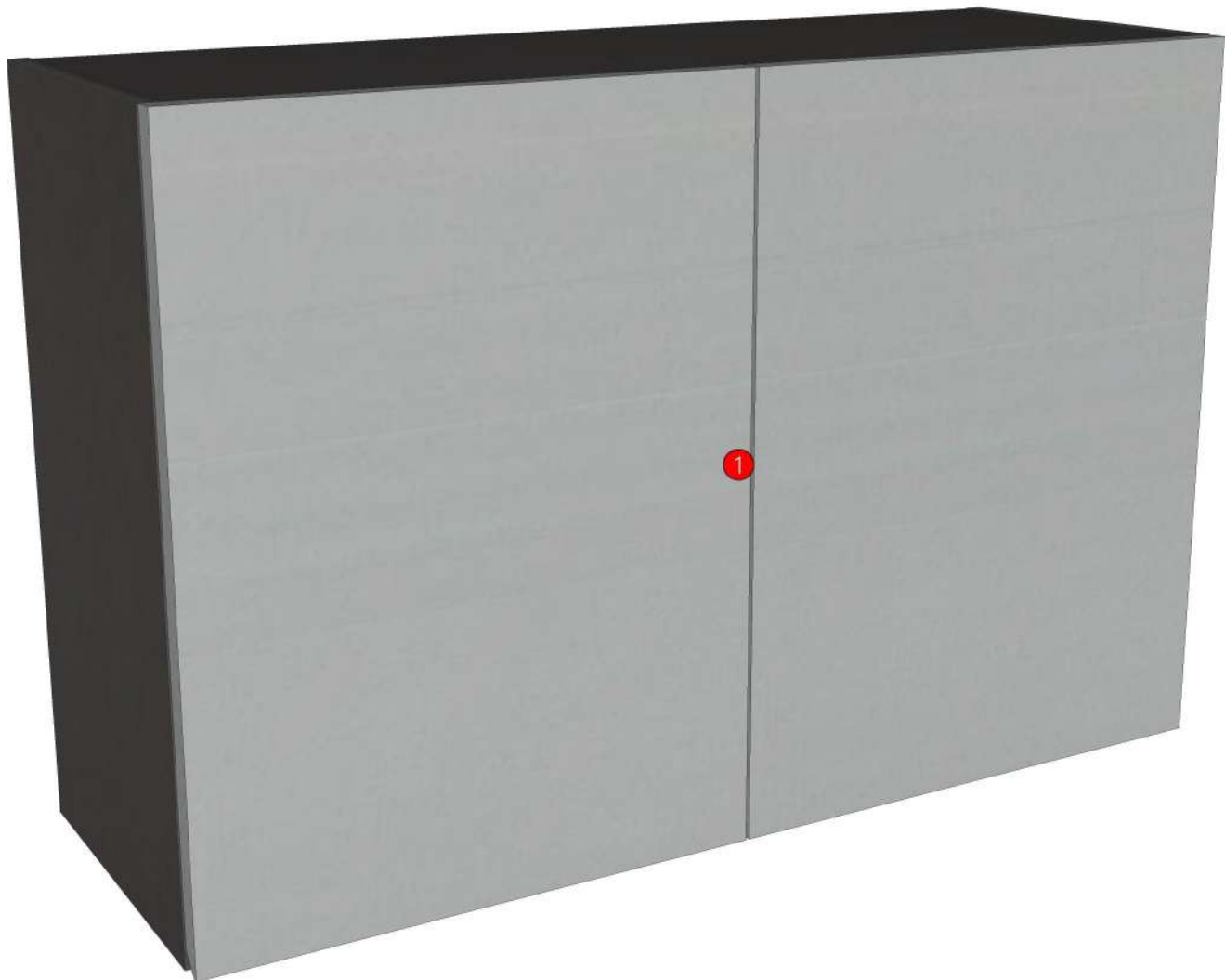
01.182=1 GALAXY GREY AS7

01.157=1 MD229

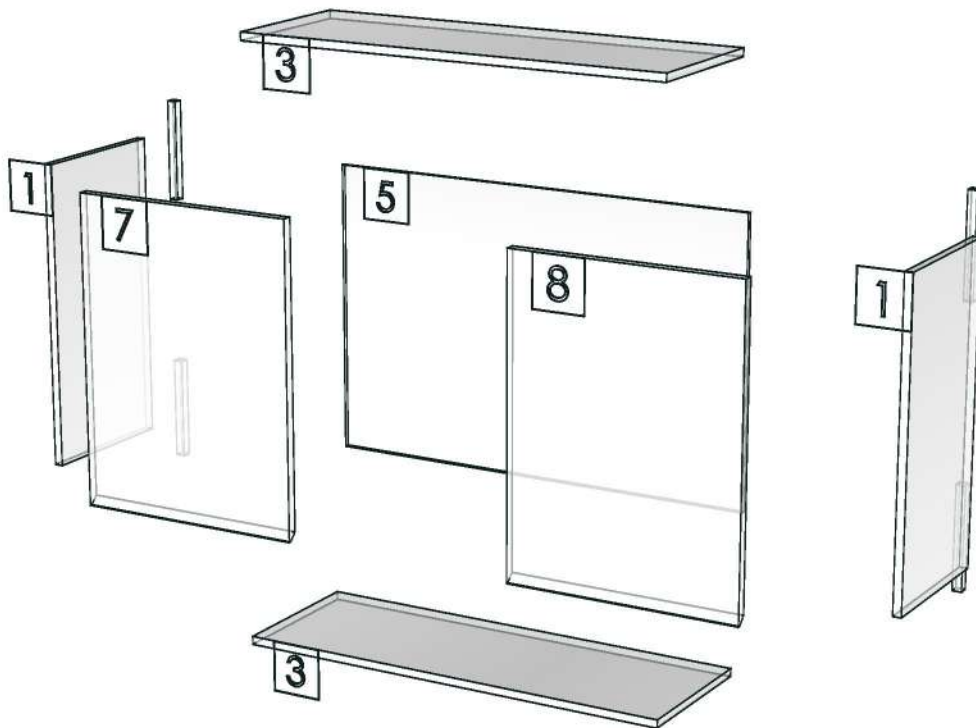
R&D REVIEW	
<input checked="" type="checkbox"/>	DWG.Customer
<input checked="" type="checkbox"/>	Work Report
<input type="checkbox"/>	Function
<input type="checkbox"/>	สินค้าตรงตัวอย่าง
ผู้ทบทวน <u>P.SAWAI</u>	
<u>22/07/2024</u>	

K106L-160151517

K106R-160146891



Model	-ARISE_CRM_DW90		
Creator		.BCP Name	INDEX_C3D_KITCHEN2
Reviewer		Order	I003255
Approves		Date	



Model	ARISE_CRM_D_FLR		
Creator	PASATHORN	.BCP Name	INDEX_C3D_KITCHEN2
Reviewer		Order	I003277
Approves	P.SAWAI	Date	06/08/2024

ARISE_CRM_D_FLR-400X400X16

Colour

05.68=ML.BROWN NORDIC#BT1 (MATT WOODGRAIN)

Edge

01.381=1 ML.BROWN NORDIC BT1

R&D REVIEW	
<input checked="" type="checkbox"/>	DWG.Customer
<input checked="" type="checkbox"/>	Work Report
<input type="checkbox"/>	Function
<input type="checkbox"/>	สินค้าตรงตัวอย่าง
ผู้ทบทวน P.SAWAI	
<i>[Signature]</i>	

K105-160151502

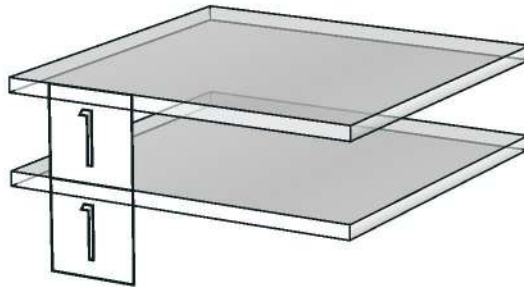
K106L-160151517

K106R-160146891

K107-160151534



Model	-ARISE_CRM_D_FLR		
Creator		.BCP Name	INDEX_C3D_KITCHEN2
Reviewer		Order	I003277
Approves		Date	



Model	ARISE_CRM_D_FLR630		
Creator	PASATHORN	.BCP Name	INDEX_C3D_KITCHEN2
Reviewer		Order	I003303
Approves	P.SAWAI	Date	09/08/2024

ARISE_CRM_D_FLR630-630X570X45

Colour

20.109=ML.GALAXY GREY AS7 (SUPER MATT)

Edge

01.182=1 GALAXY GREY AS7

K105-160151502

K106L-160151517

K106R-160146891

K107-160151534



R&D REVIEW	
<input checked="" type="checkbox"/>	DWG.Customer
<input checked="" type="checkbox"/>	Work Report
<input type="checkbox"/>	Function
<input type="checkbox"/>	สินค้าตรงตัวอย่าง
ผู้ทบทวน P.SAWAI	
25/8/24	



Model	-ARISE_CRM_D_FLR630		
Creator		.BCP Name	INDEX_C3D_KITCHEN2
Reviewer		Order	I003303
Approves		Date	



Model	ARISE_CRM_DDM1820		
Creator	PASATHORN	.BCP Name	INDEX_C3D_KITCHEN2
Reviewer		Order	I003244
Approves	P.SAWAI	Date	19/07/2024

ARISE_CRM_DDM1820-1820X6X425

Colour

03.13=PVC WHITE#630 T0.15MM.

Edge

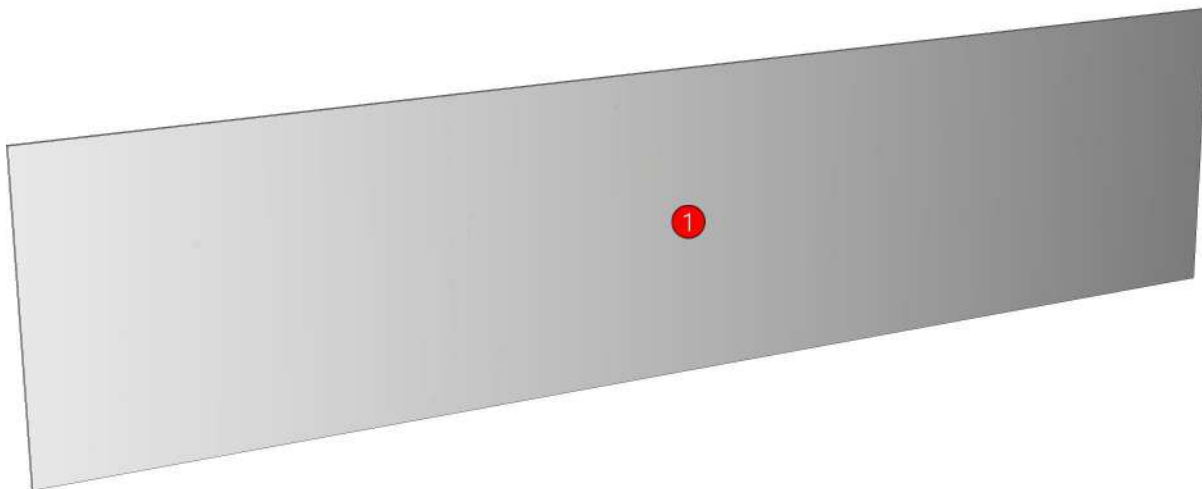
=

K106L-160151517

K106R-160146891



R&D REVIEW	
<input checked="" type="checkbox"/>	DWG.Customer
<input checked="" type="checkbox"/>	Work Report
<input type="checkbox"/>	Function
<input type="checkbox"/>	สินค้าตรงตัวอย่าง
ผู้ทบทวน P.SAWAI	
19/07/2024	



Model	ARISE_CRM_DDM600		
Creator	PASATHORN	.BCP Name	INDEX_C3D_KITCHEN2
Reviewer		Order	I003239
Approves	P.SAWAI	Date	19/07/2024

ARISE_CRM_DDM600-600X6X575

Colour
03.13=PVC WHITE#630 T0.15MM.

Edge
=

R&D REVIEW

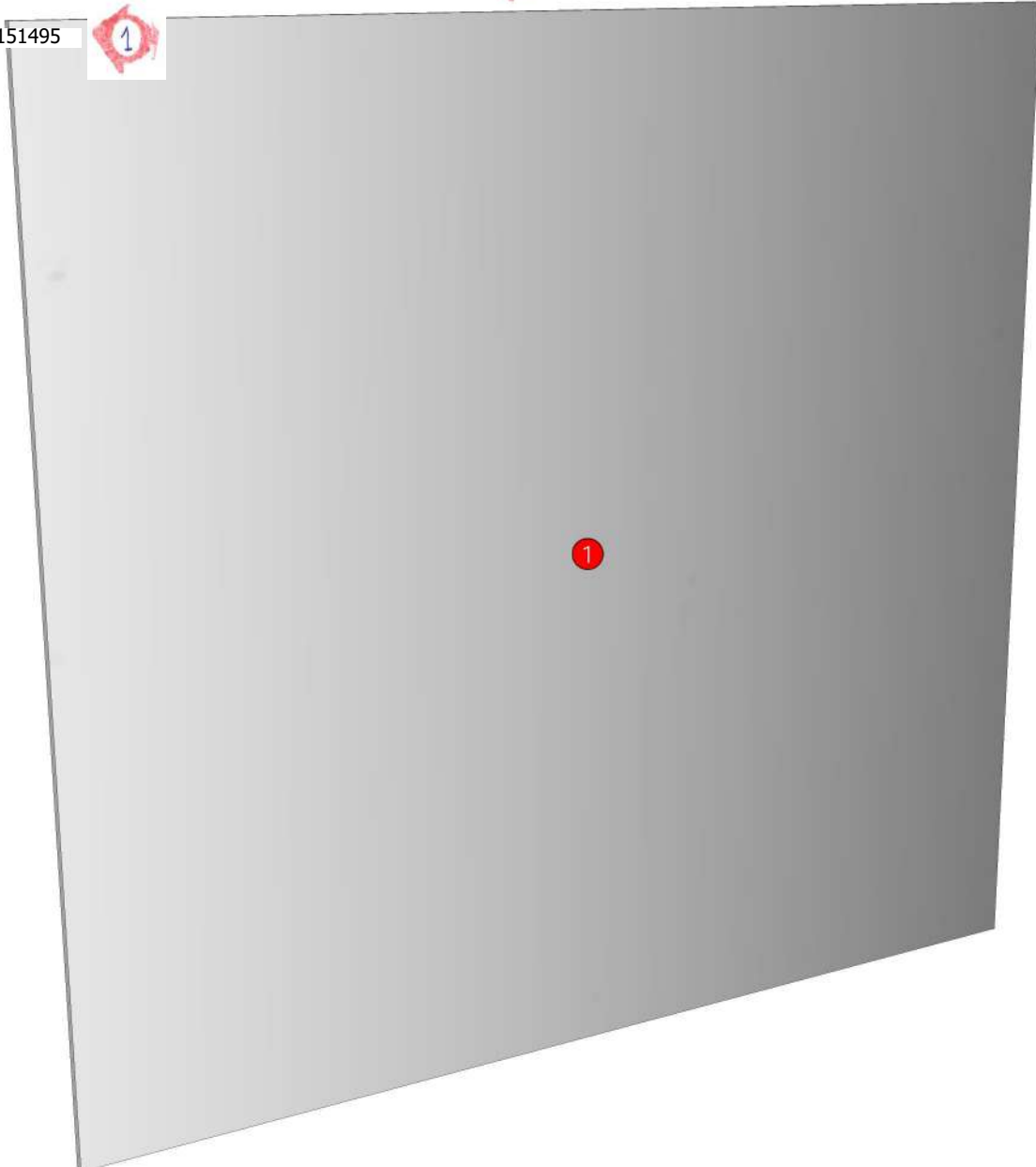
- DWG.Customer
- Work Report
- Function
- สินค้าตรงตัวอย่าง

ผู้ทบทวน P.SAWAI

19/07/2024

K101L-160151468
K101R-160146874
K105-160151502
K106L-160151517
K106R-160146891
K107-160151534

K103-160151495



Model	ARISE_CRM_DFB		
Creator	PASATHORN	.BCP Name	INDEX_C3D_KITCHEN2
Reviewer		Order	I003288
Approves	P.SAWAI	Date	06/08/2024

ARISE_CRM_DFB-150X16X801

Colour
20.05=ML.MK3258_MATT

Edge
01.157=1 MD229

R&D REVIEW

- DWG.Customer
- Work Report
- Function
- สินค้าตรงตัวอย่าง

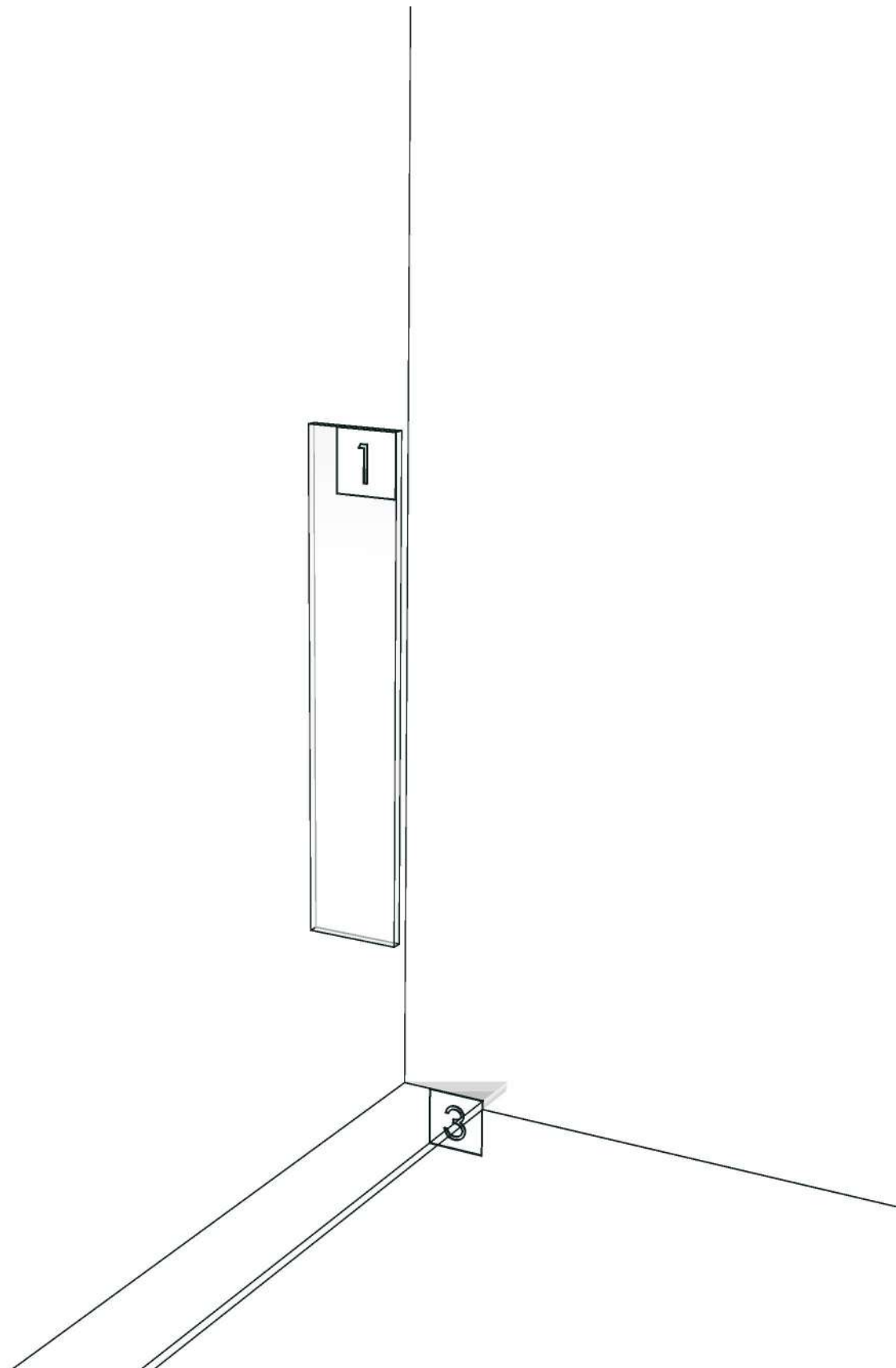
ผู้ทบทวน P.SAWAI

06/08/2024

K105-160151502
K106L-160151517
K106R-160146891
K107-160151534



Model	-ARISE_CRM_DFB		
Creator		.BCP Name	INDEX_C3D_KITCHEN2
Reviewer		Order	I003288
Approves		Date	



Model	ARISE_CRM_DFLS		
Creator	PASATHORN	.BCP Name	INDEX_C3D_KITCHEN2
Reviewer		Order	I003259
Approves	P.SAWAI	Date	23/07/2024

ARISE_CRM_DFLS-150X16X900

Colour

05.68=ML.BROWN NORDIC#BT1 (MATT WOODGRAIN)
20.05=ML.MK3258_MATT

Edge

01.381=1 ML.BROWN NORDIC BT1
01.157=1 MD229

R&D REVIEW

- DWG.Customer
- Work Report
- Function
- สินค้าตรงตัวอย่าง

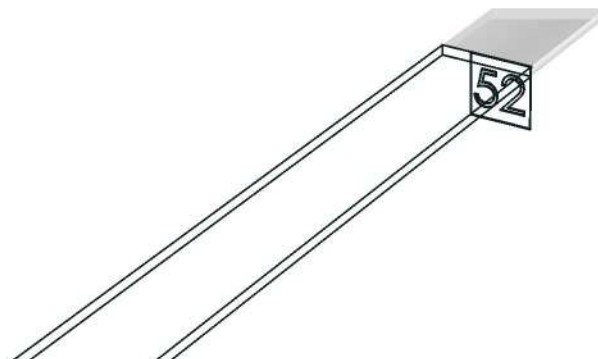
ผู้ทบทวน P.SAWAI

(Handwritten signature)

K105-160151502
K106L-160151517
K106R-160146891
K107-160151534



Model	-ARISE_CRM_DFLS		
Creator		.BCP Name	INDEX_C3D_KITCHEN2
Reviewer		Order	I003259
Approves		Date	



Model	ARISE_CRM_DFW		
Creator	PASATHORN	.BCP Name	INDEX_C3D_KITCHEN2
Reviewer		Order	I003238
Approves	P.SAWAI	Date	18/07/2024

ARISE_CRM_DFW-150X16X600

Colour

20.109=ML.GALAXY GREY AS7 (SUPER MATT)
20.05=ML.MK3258_MATT

Edge

01.182=1 GALAXY GREY AS7
01.157=1 MD229

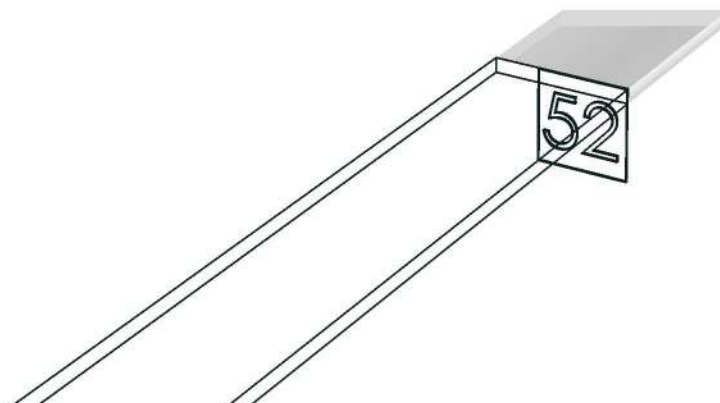
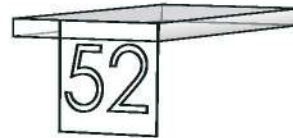
K100L-160151456
K100R-160146862
K101L-160151468
K101R-160146874

K105-160151502
K106L-160151517
K106R-160146891



R&D REVIEW	
<input checked="" type="checkbox"/>	DWG.Customer
<input checked="" type="checkbox"/>	Work Report
<input type="checkbox"/>	Function
<input type="checkbox"/>	สินค้าตรงตัวอย่าง
ผู้ทบทวน <u>P.SAWAI</u>	
<u>18/07/2024</u>	

Model	-ARISE_CRM_DFW		
Creator		.BCP Name	INDEX_C3D_KITCHEN2
Reviewer		Order	I003238
Approves		Date	



Model	ARISE_CRM_DDM182		
Creator	PASATHORN	.BCP Name	INDEX_C3D_KITCHEN2
Reviewer		Order	I003250
Approves	P.SAWAI	Date	22/07/2024

ARISE_CRM_DDM182-1820X16X150

Colour

20.109=ML.GALAXY GREY AS7 (SUPER MATT)

Edge

01.182=1 GALAXY GREY AS7

R&D REVIEW	
<input checked="" type="checkbox"/>	DWG.Customer
<input checked="" type="checkbox"/>	Work Report
<input type="checkbox"/>	Function
<input type="checkbox"/>	สินค้าตรงตัวอย่าง
ผู้ทบทวน <u>P.SAWAI</u>	
<u>22/07/2024</u>	

K106L-160151517
K106R-160146891



Model	ARISE_CRM_DDM243		
Creator	PASATHORN	.BCP Name	INDEX_C3D_KITCHEN2
Reviewer		Order	I003284
Approves	P.SAWAI	Date	06/08/2024

ARISE_CRM_DDM243-2430X16X150

Colour

20.109=ML.GALAXY GREY AS7 (SUPER MATT)

Edge

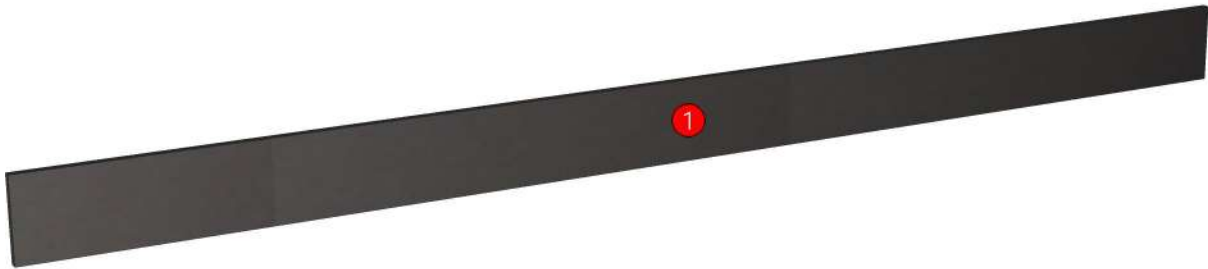
01.182=1 GALAXY GREY AS7

R&D REVIEW	
<input checked="" type="checkbox"/>	DWG.Customer
<input checked="" type="checkbox"/>	Work Report
<input type="checkbox"/>	Function
<input type="checkbox"/>	สินค้าตรงตัวอย่าง
ผู้ทบทวน <u>P.SAWAI</u>	
<u>06/08/2024</u>	

K106L-160151517



K106R-160146891



Model	ARISE_CRM_DF_CL1520		
Creator	PASATHORN	.BCP Name	INDEX_C3D_KITCHEN2
Reviewer		Order	I003233
Approves	P.SAWAI	Date	18/07/2024

ARISE_CRM_DF_CL1520-1520X16X150

Colour

20.109=ML.GALAXY GREY AS7 (SUPER MATT)

Edge

01.182=1 GALAXY GREY AS7

R&D REVIEW	
<input checked="" type="checkbox"/>	DWG.Customer
<input checked="" type="checkbox"/>	Work Report
<input type="checkbox"/>	Function
<input type="checkbox"/>	สินค้าตรงตัวอย่าง
ผู้ทบทวน <u>P.SAWAI</u>	
<u>18/07/2024</u>	

K106L-160151517



K106R-160146891



Model	ARISE_CRM_DF_CL1000		
Creator	PASATHORN	.BCP Name	INDEX_C3D_KITCHEN2
Reviewer		Order	I003231
Approves	P.SAWAI	Date	18/07/2024

ARISE_CRM_DF_CL1000-1000X16X150

Colour

20.109=ML.GALAXY GREY AS7 (SUPER MATT)

Edge

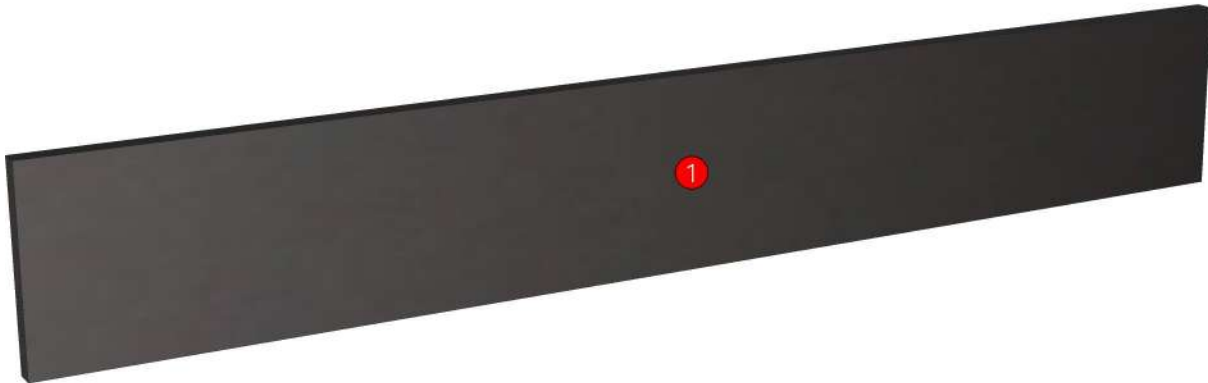
01.182=1 GALAXY GREY AS7

R&D REVIEW	
<input checked="" type="checkbox"/>	DWG.Customer
<input checked="" type="checkbox"/>	Work Report
<input type="checkbox"/>	Function
<input type="checkbox"/>	สินค้าตรงตัวอย่าง
ผู้ทบทวน P.SAWAI	
18/07/2024	

K106L-160151517



K106R-160146891



Model	ARISE_CRM_DF_CL2150		
Creator	PASATHORN	.BCP Name	INDEX_C3D_KITCHEN2
Reviewer		Order	I003287
Approves	P.SAWAI	Date	06/08/2024

ARISE_CRM_DF_CL2150-2150X16X150

Colour

20.109=ML.GALAXY GREY AS7 (SUPER MATT)

Edge

01.182=1 GALAXY GREY AS7

R&D REVIEW	
<input checked="" type="checkbox"/>	DWG.Customer
<input checked="" type="checkbox"/>	Work Report
<input type="checkbox"/>	Function
<input type="checkbox"/>	สินค้าตรงตัวอย่าง
ผู้ทบทวน P.SAWAI	
_____/_____/____!	

K101L-160151468
K101R-160146874



K106L-160151517
K106R-160146891



Model	ARISE_CRM_DF_CL300		
Creator	PASATHORN	.BCP Name	INDEX_C3D_KITCHEN2
Reviewer		Order	I003286
Approves	P.SAWAI	Date	06/08/2024

ARISE_CRM_DF_CL300-300X16X150

Colour

20.109=ML.GALAXY GREY AS7 (SUPER MATT)

Edge

01.182=1 GALAXY GREY AS7

R&D REVIEW

- DWG.Customer
- Work Report
- Function
- สินค้าตรงตัวอย่าง

ผู้ทบทวน P.SAWAI

25/08/2024

K100L-160151456

K100R-160146862

K101L-160151468

K101R-160146874

K105-160151502

K106L-160151517

K106R-160146891

K107-160151534

K103-160151495

K104-160151495



Model	ARISE_CRM_DUT1800		
Creator	PASATHORN	.BCP Name	INDEX_C3D_KITCHEN2
Reviewer		Order	I003224
Approves	P.SAWAI	Date	18/07/2024

ARISE_CRM_DUT1800-1800X60X12

Colour

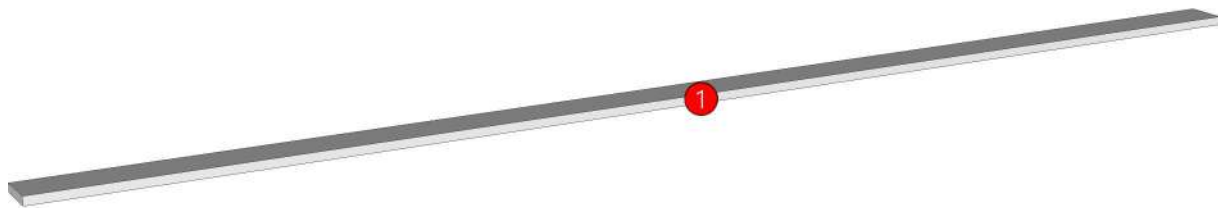
05.01=ML WHITE VM1012 18/18

Edge

01.47=1 WHITE

R&D REVIEW	
<input checked="" type="checkbox"/>	DWG.Customer
<input checked="" type="checkbox"/>	Work Report
<input type="checkbox"/>	Function
<input type="checkbox"/>	สินค้าตรงตัวอย่าง
ผู้ทบทวน <u>P.SAWAI</u>	
<u>18/07/2024</u>	

K106L-160151517
K106R-160146891



Model	ARISE_CRM_DUT500		
Creator	PASATHORN	.BCP Name	INDEX_C3D_KITCHEN2
Reviewer		Order	I003293
Approves	P.SAWAI	Date	06/08/2024

ARISE_CRM_DUT500-500X60X12

Colour

05.01=ML WHITE VM1012 18/18

Edge

01.47=1 WHITE

K100L-160151456
K100R-160146862
K101L-160151468
K101R-160146874
K102L-160146884
K102R-160151478
K103-160151495

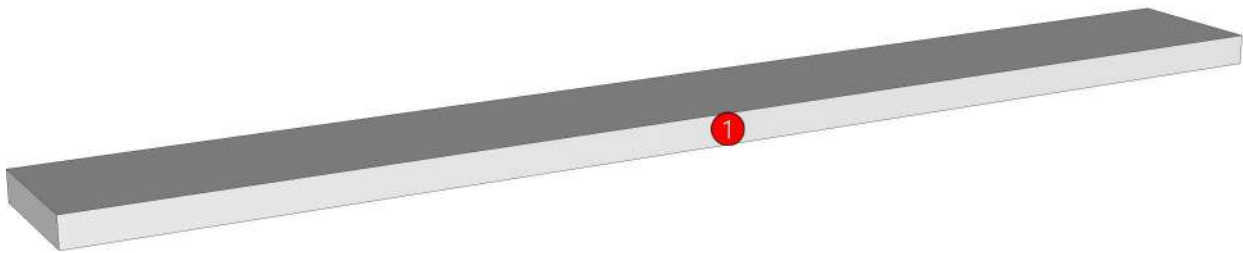
K105-160151502
K106L-160151517
K106R-160146891
K107-160151534

K104-160151495

R&D REVIEW

- DWG.Customer
- Work Report
- Function
- สินค้าตรงตัวอย่าง

ผู้ทบทวน P.SAWAI



Model	ARISE_CRM_D_PLT1250		
Creator	PASATHORN	.BCP Name	INDEX_C3D_KITCHEN2
Reviewer		Order	I003269
Approves	P.SAWAI	Date	25/07/2024

ARISE_CRM_D_PLT1250-1250X9X100

Colour

20.109=ML.GALAXY GREY AS7 (SUPER MATT)

Edge

01.182=1 GALAXY GREY AS7

R&D REVIEW	
<input checked="" type="checkbox"/>	DWG.Customer
<input checked="" type="checkbox"/>	Work Report
<input type="checkbox"/>	Function
<input type="checkbox"/>	สินค้าตรงตัวอย่าง
ผู้ทบทวน <u>P.SAWAI</u>	
<u>25/07/2024</u>	

K106L-160151517



K106R-160146891



Model	ARISE_CRM_D_PLT700		
Creator	PASATHORN	.BCP Name	INDEX_C3D_KITCHEN2
Reviewer		Order	I003227
Approves	P.SAWAI	Date	18/07/2024

ARISE_CRM_D_PLT700-700X9X100

Colour

20.109=ML.GALAXY GREY AS7 (SUPER MATT)

Edge

01.182=1 GALAXY GREY AS7

K105-160151502

K106L-160151517

K106R-160146891

K107-160151534



R&D REVIEW	
<input checked="" type="checkbox"/>	DWG.Customer
<input checked="" type="checkbox"/>	Work Report
<input type="checkbox"/>	Function
<input type="checkbox"/>	สินค้าตรงตัวอย่าง
ผู้ทบทวน P.SAWAI	
18/07/2024	



