

Model	ARISE_CRM_DBSC10055L		
Creator	PASATHORN	.BCP Name	INDEX_C3D_KITCHEN2
Reviewer		Order	I003829
Approves		Date	20/12/2024

ARISE_CRM_DBSC10055L-1000X570X901

Colour

20.109=ML.GALAXY GREY AS7 (SUPER MATT)

20.05=ML.MK3258_MATT

Edge

01.182=1 GALAXY GREY AS7

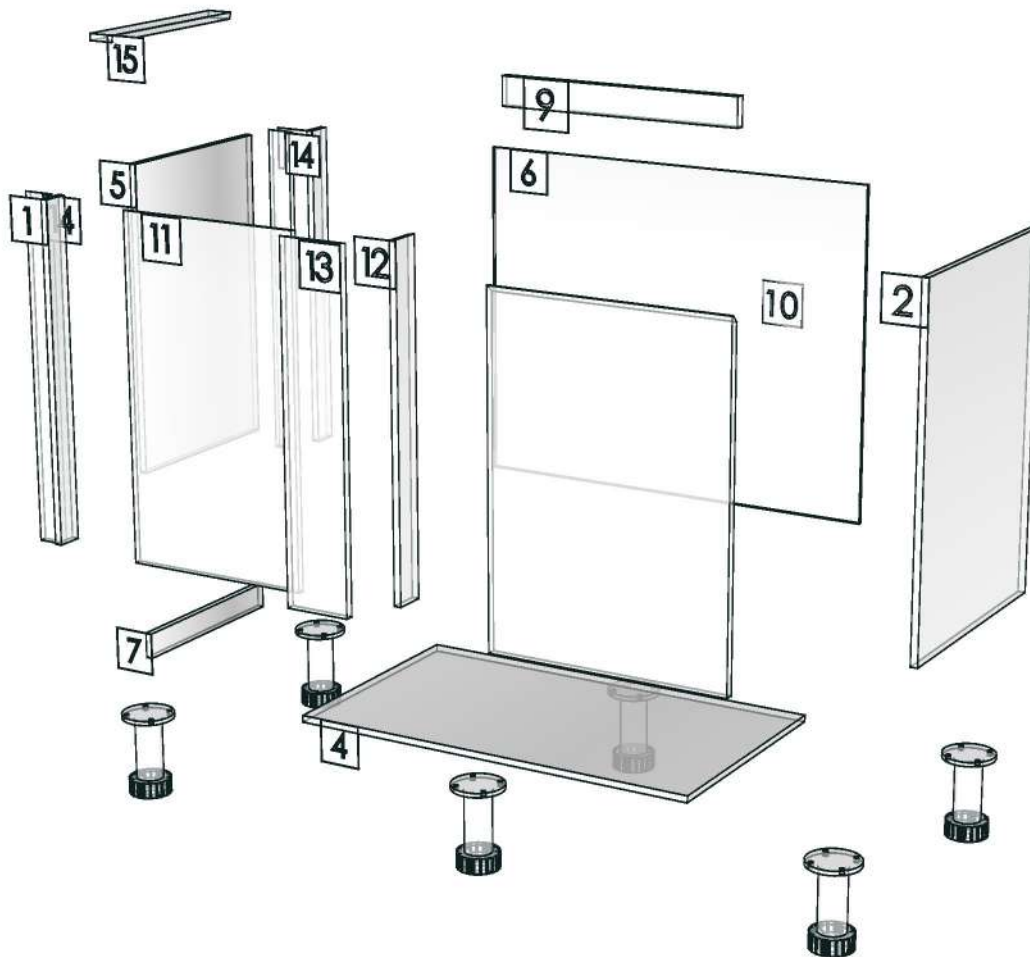
01.157=1 MD229

K105-160151502

R&D REVIEW	
<input checked="" type="checkbox"/>	DWG.Customer
<input checked="" type="checkbox"/>	Work Report
<input type="checkbox"/>	Function
<input type="checkbox"/>	สินค้าตรงตัวอย่าง
ผู้ทบทวน _____	



Model	-ARISE_CRM_DBSC10055L		
Creator		.BCP Name	INDEX_C3D_KITCHEN2
Reviewer		Order	I003829
Approves		Date	



Model	ARISE_CRM_DBD402G		
Creator	PASATHORN	.BCP Name	INDEX_C3D_KITCHEN2
Reviewer		Order	I003825
Approves		Date	20/12/2024

ARISE_CRM_DBD402G-400X570X901

Colour

20.109=ML.GALAXY GREY AS7 (SUPER MATT)

20.05=ML.MK3258_MATT

Edge

01.182=1 GALAXY GREY AS7

01.157=1 MD229

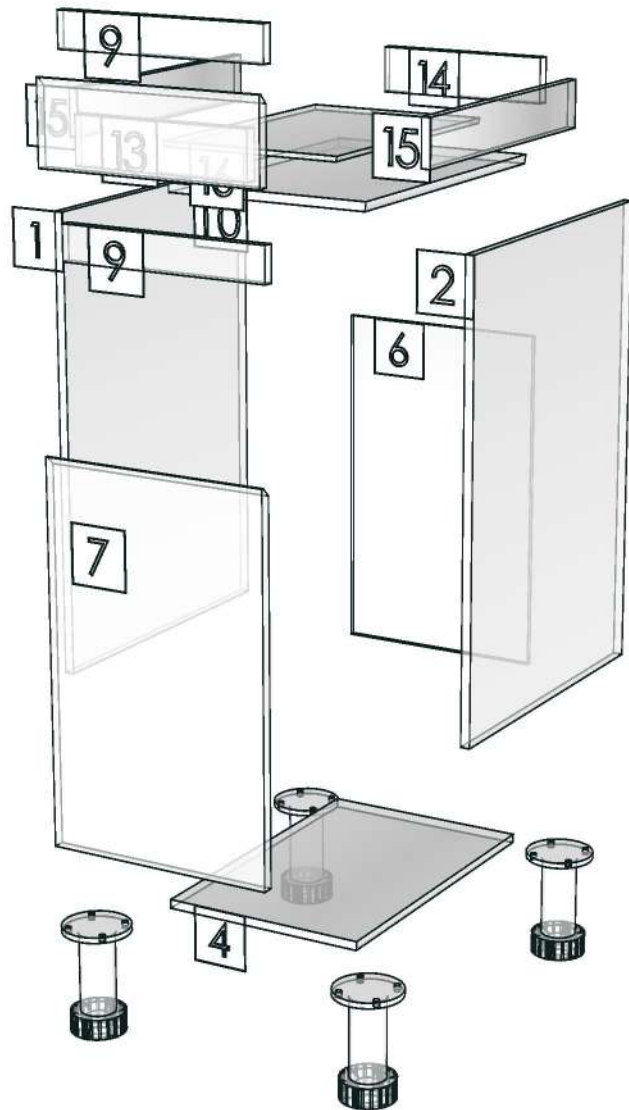
K105-160151502

R&D REVIEW	
<input checked="" type="checkbox"/>	DWG.Customer
<input checked="" type="checkbox"/>	Work Report
<input type="checkbox"/>	Function
<input type="checkbox"/>	สินค้าตรงตัวอย่าง
ผู้ทบทวน _____	



Model	-ARISE_CRM_DBD402G		
Creator		.BCP Name	INDEX_C3D_KITCHEN2
Reviewer		Order	I003825
Approves		Date	

12



Model	ARISE_CRM_DBMV60		
Creator	PASATHORN	.BCP Name	INDEX_C3D_KITCHEN2
Reviewer		Order	I003280
Approves	P.SAWAI	Date	06/08/2024

ARISE_CRM_DBMV60-600X570X901

Colour

20.109=ML.GALAXY GREY AS7 (SUPER MATT)
20.05=ML.MK3258_MATT

Edge

01.182=1 GALAXY GREY AS7
01.157=1 MD229

K105-160151502
K106L-160151517
K106R-160146891



R&D REVIEW

DWG.Customer

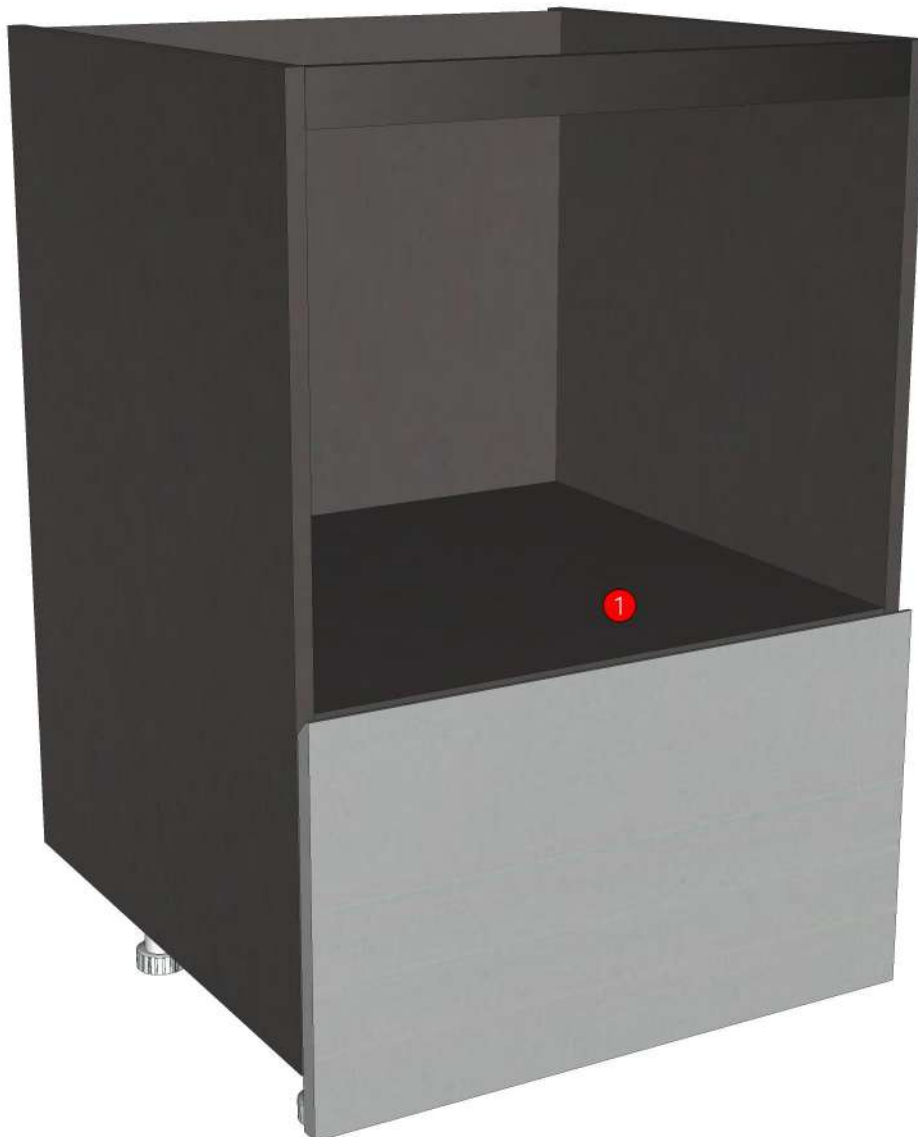
Work Report

Function

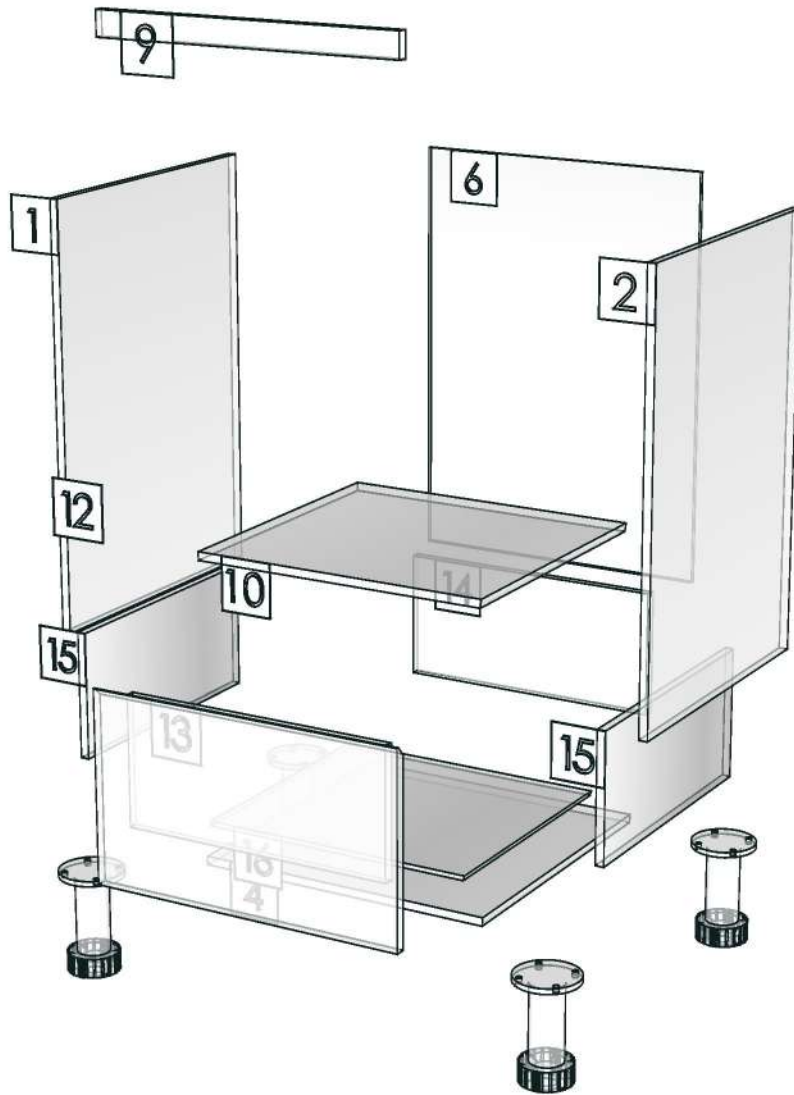
สินค้าตรงตัวอย่าง

ผู้ทบทวน P.SAWAI

06/08/2024



Model	-ARISE_CRM_DBMV60		
Creator		.BCP Name	INDEX_C3D_KITCHEN2
Reviewer		Order	I003280
Approves		Date	



Model	ARISE_CRM_DL85SL		
Creator	PASATHORN	.BCP Name	INDEX_C3D_KITCHEN2
Reviewer		Order	I003820
Approves		Date	20/12/2024

ARISE_CRM_DL85SL-850X300X900

Colour

20.109=ML.GALAXY GREY AS7 (SUPER MATT)

20.05=ML.MK3258_MATT

05.68=ML.BROWN NORDIC#BT1 (MATT WOODGRAIN)

Edge

01.182=1 GALAXY GREY AS7

01.157=1 MD229

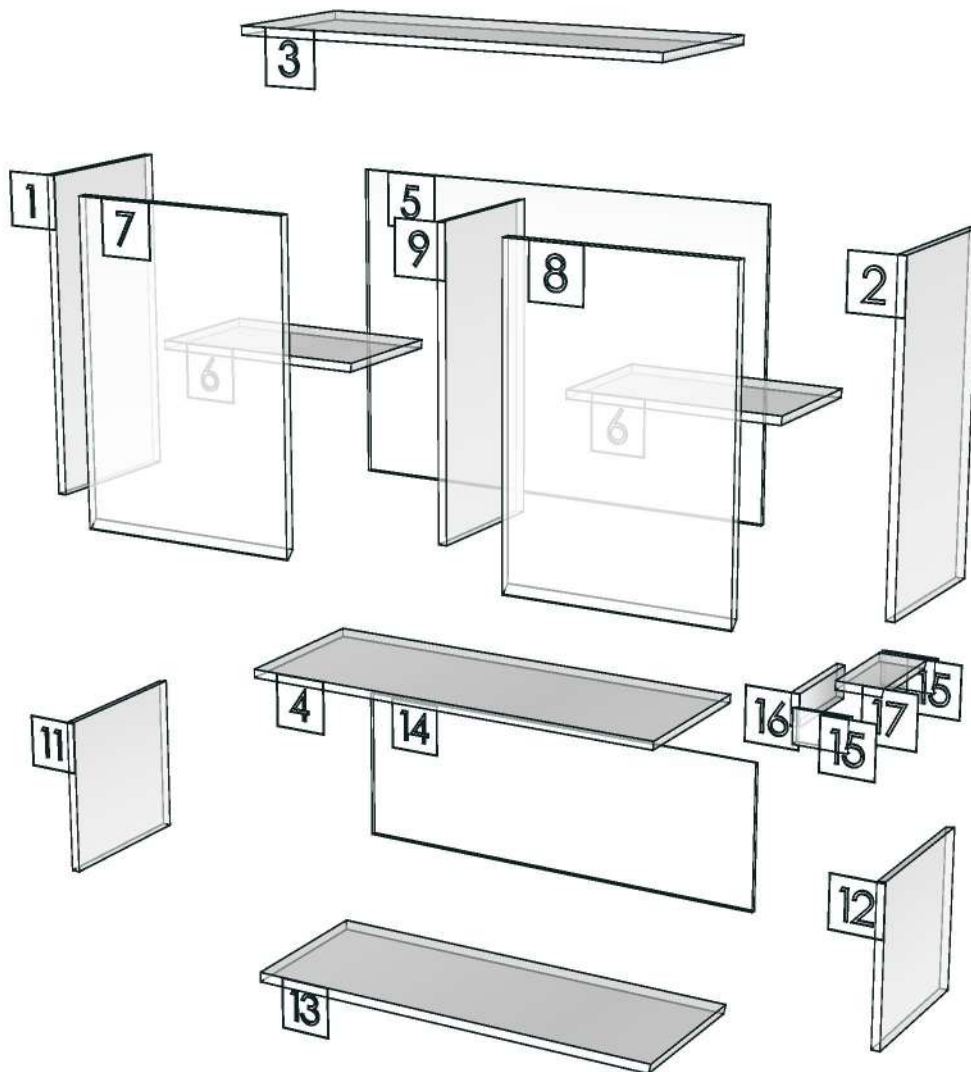
01.381=1 ML.BROWN NORDIC BT1

K105-160151502

R&D REVIEW	
<input checked="" type="checkbox"/>	DWG.Customer
<input checked="" type="checkbox"/>	Work Report
<input type="checkbox"/>	Function
<input type="checkbox"/>	สินค้าตรงตัวอย่าง
ผู้ทบทวน _____	



Model	-ARISE_CRM_DL85SL		
Creator		.BCP Name	INDEX_C3D_KITCHEN2
Reviewer		Order	I003820
Approves		Date	



Model	ARISE_CRM_DL75S		
Creator	PASATHORN	.BCP Name	INDEX_C3D_KITCHEN2
Reviewer		Order	I003818
Approves		Date	20/12/2024

ARISE_CRM_DL75S-750X300X900

Colour

20.109=ML.GALAXY GREY AS7 (SUPER MATT)
20.05=ML.MK3258_MATT
05.68=ML.BROWN NORDIC#BT1 (MATT WOODGRAIN)

Edge

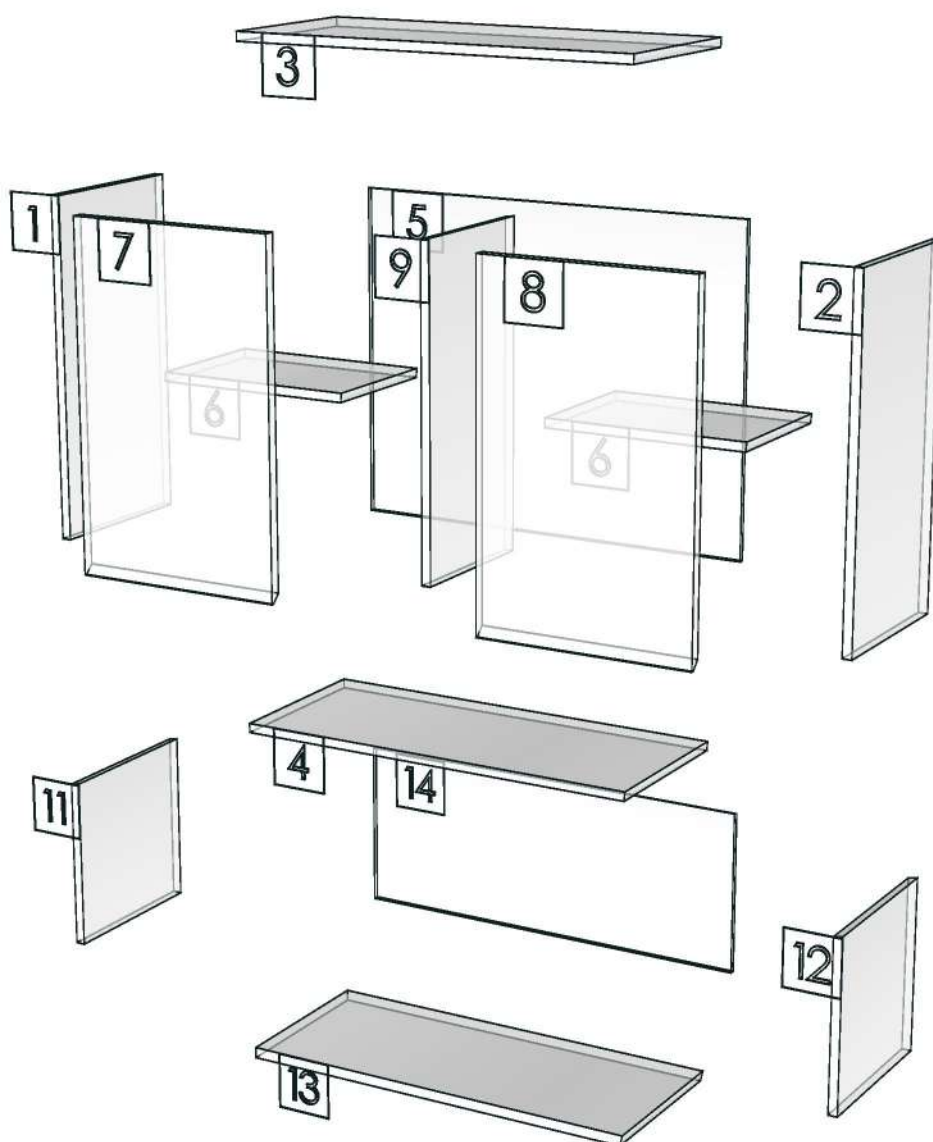
01.182=1 GALAXY GREY AS7
01.157=1 MD229
01.381=1 ML.BROWN NORDIC BT1

K105-160151502

R&D REVIEW	
<input checked="" type="checkbox"/>	DWG.Customer
<input checked="" type="checkbox"/>	Work Report
<input type="checkbox"/>	Function
<input type="checkbox"/>	สินค้าตรงตัวอย่าง
ผู้ทบทวน _____	



Model	-ARISE_CRM_DL75S	.BCP Name	INDEX_C3D_KITCHEN2
Creator		Order	I003818
Reviewer		Date	
Approves			



Model	ARISE_CRM_DL60HL		
Creator	PASATHORN	.BCP Name	INDEX_C3D_KITCHEN2
Reviewer		Order	I003291
Approves	P.SAWAI	Date	06/08/2024

ARISE_CRM_DL60HL-600X300X855

Colour

20.109=ML.GALAXY GREY AS7 (SUPER MATT)
20.05=ML.MK3258_MATT

Edge

01.182=1 GALAXY GREY AS7
01.157=1 MD229

K100R-160146862

K105-160151502



K101R-160146874

K106R-160146891

R&D REVIEW

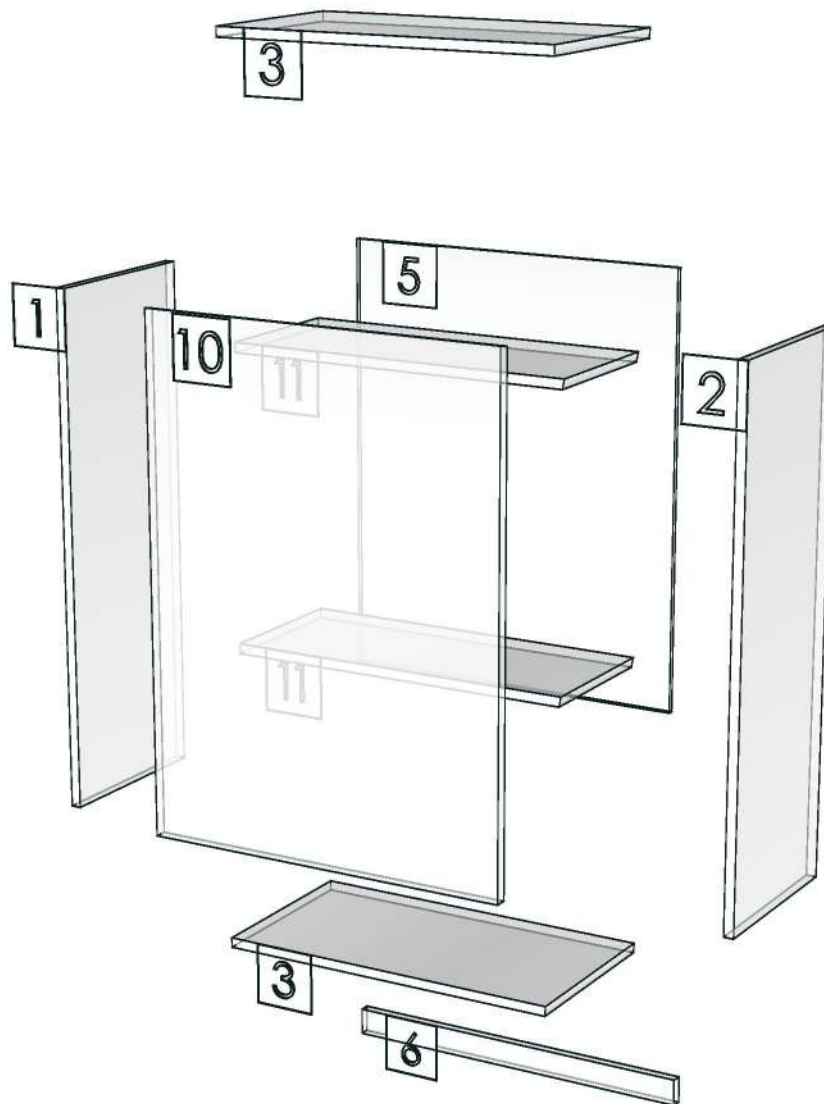
- DWG.Customer
- Work Report
- Function
- สินค้าตรงตัวอย่าง

ผู้ทบทวน P.SAWAI

(Handwritten signature)



Model	-ARISE_CRM_DL60HL		
Creator		.BCP Name	INDEX_C3D_KITCHEN2
Reviewer		Order	I003291
Approves		Date	



Model	ARISE_CRM_DL60L		
Creator	PASATHORN	.BCP Name	INDEX_C3D_KITCHEN2
Reviewer		Order	I003257
Approves	P.SAWAI	Date	23/07/2024

ARISE_CRM_DL60L-600X300X900

Colour

20.109=ML.GALAXY GREY AS7 (SUPER MATT)
20.05=ML.MK3258_MATT

Edge

01.182=1 GALAXY GREY AS7
01.157=1 MD229

K105-160151502

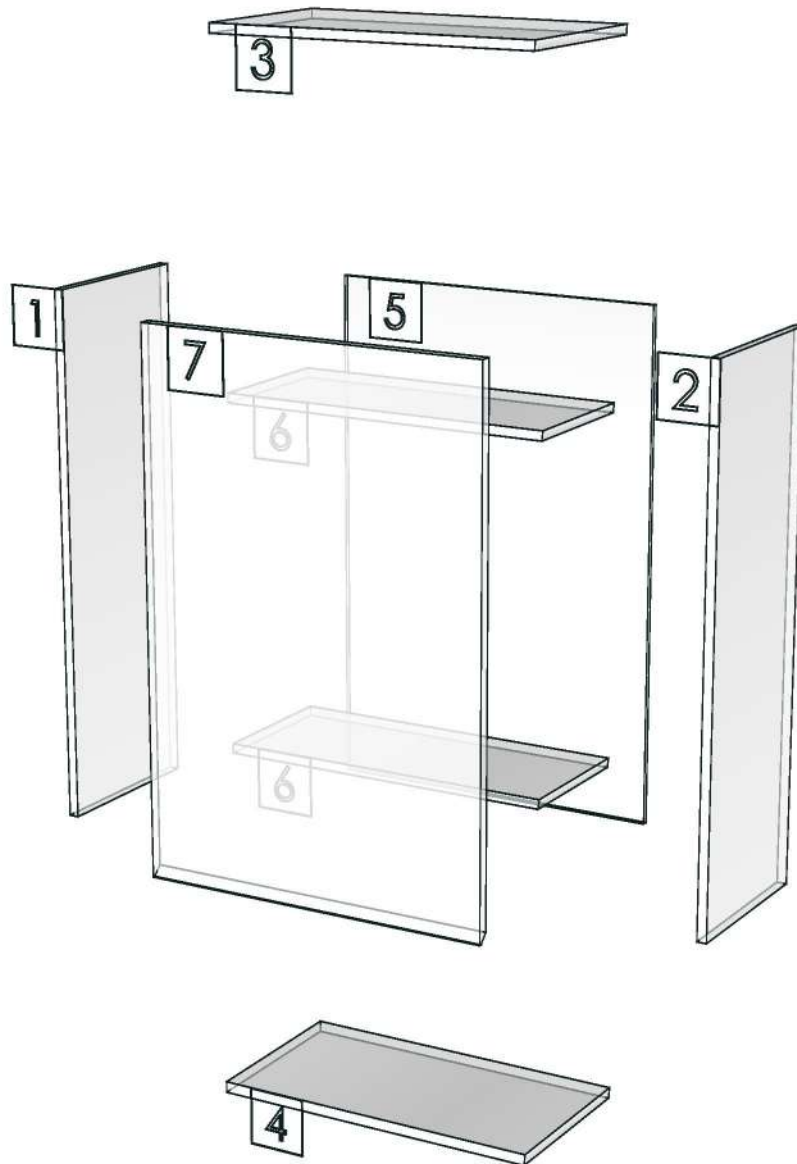


K106R-160146891

R&D REVIEW	
<input checked="" type="checkbox"/>	DWG.Customer
<input checked="" type="checkbox"/>	Work Report
<input type="checkbox"/>	Function
<input type="checkbox"/>	สินค้าตรงตัวอย่าง
ผู้ทบทวน P.SAWAI	
23/07/2024	



Model	-ARISE_CRM_DL60L		
Creator		.BCP Name	INDEX_C3D_KITCHEN2
Reviewer		Order	I003257
Approves		Date	



Model	ARISE_CRM_DW75		
Creator	PASATHORN	.BCP Name	INDEX_C3D_KITCHEN2
Reviewer		Order	I003260
Approves	P.SAWAI	Date	23/07/2024

ARISE_CRM_DW75-750X300X600

Colour

20.109=ML.GALAXY GREY AS7 (SUPER MATT)

20.05=ML.MK3258_MATT

Edge

01.182=1 GALAXY GREY AS7

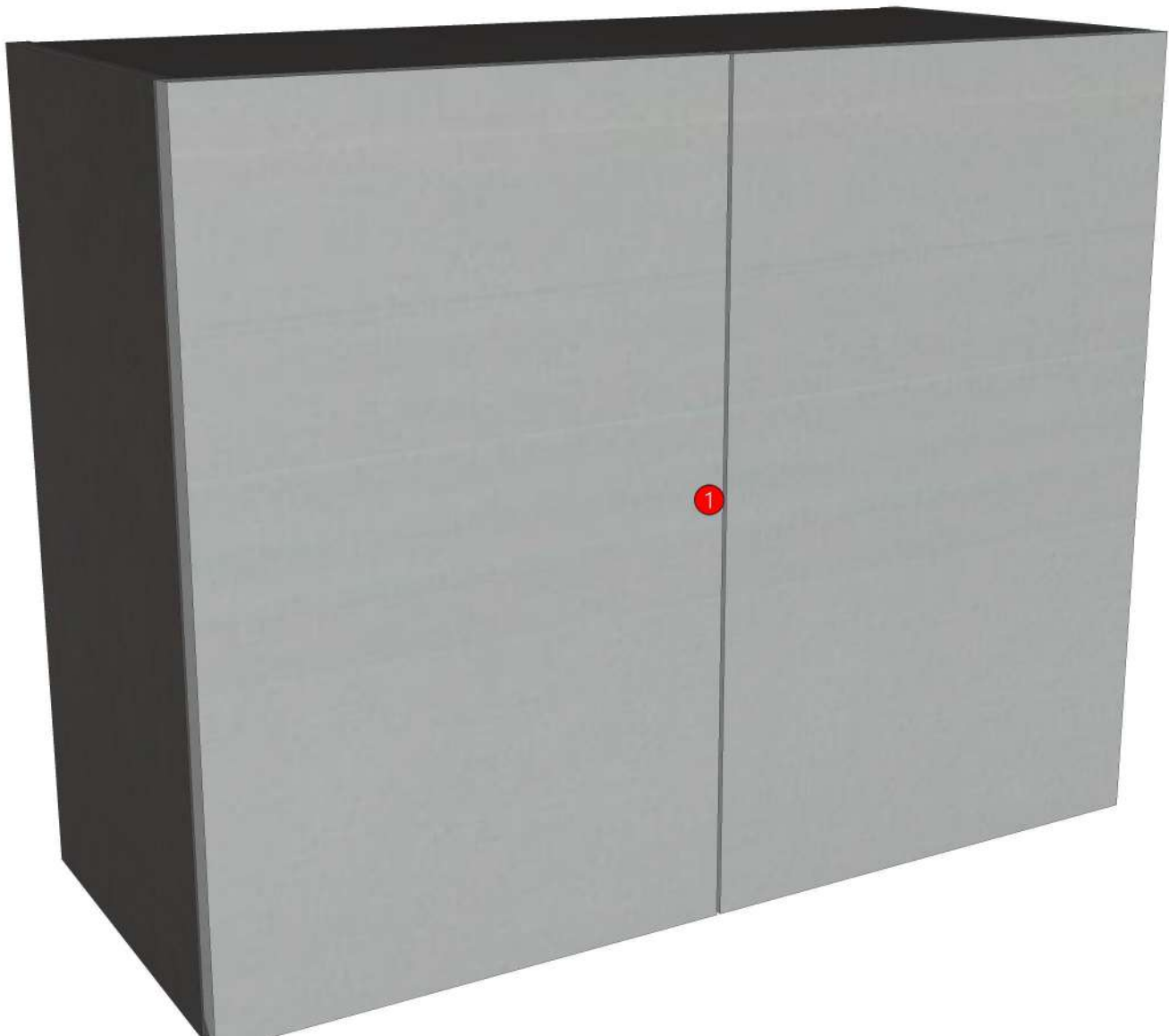
01.157=1 MD229

K100L-160151456

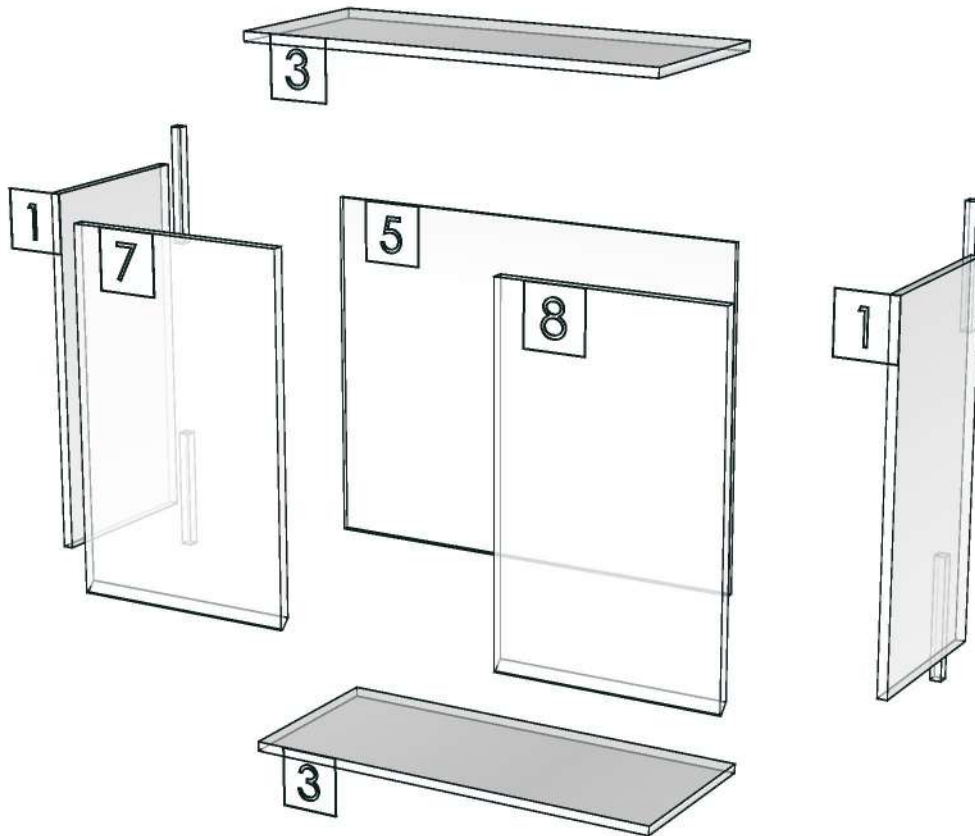
K100R-160146862



R&D REVIEW	
<input checked="" type="checkbox"/>	DWG.Customer
<input checked="" type="checkbox"/>	Work Report
<input type="checkbox"/>	Function
<input type="checkbox"/>	สินค้าตรงตัวอย่าง
ผู้ทบทวน <u>P.SAWAI</u>	
<u>23/07/2024</u>	



Model	-ARISE_CRM_DW75		
Creator		.BCP Name	INDEX_C3D_KITCHEN2
Reviewer		Order	I003260
Approves		Date	



Model	ARISE_CRM_D_FLR		
Creator	PASATHORN	.BCP Name	INDEX_C3D_KITCHEN2
Reviewer		Order	I003277
Approves	P.SAWAI	Date	06/08/2024

ARISE_CRM_D_FLR-400X400X16

Colour

05.68=ML.BROWN NORDIC#BT1 (MATT WOODGRAIN)

Edge

01.381=1 ML.BROWN NORDIC BT1

R&D REVIEW	
<input checked="" type="checkbox"/>	DWG.Customer
<input checked="" type="checkbox"/>	Work Report
<input type="checkbox"/>	Function
<input type="checkbox"/>	สินค้าตรงตัวอย่าง
ผู้ทบทวน <u>P.SAWAI</u>	
<u>06/08/2024</u>	

K105-160151502

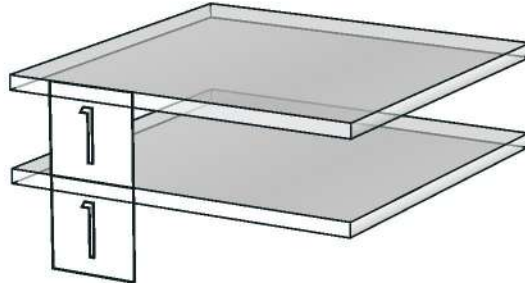
K106L-160151517

K106R-160146891

K107-160151534



Model	-ARISE_CRM_D_FLR		
Creator		.BCP Name	INDEX_C3D_KITCHEN2
Reviewer		Order	I003277
Approves		Date	



Model	ARISE_CRM_D_FLR630		
Creator	PASATHORN	.BCP Name	INDEX_C3D_KITCHEN2
Reviewer		Order	I003303
Approves	P. SAWAI	Date	09/08/2024

ARISE_CRM_D_FLR630-630X570X45

Colour

20.109=ML.GALAXY GREY AS7 (SUPER MATT)

Edge

01.182=1 GALAXY GREY AS7

K105-160151502

K106L-160151517

K106R-160146891

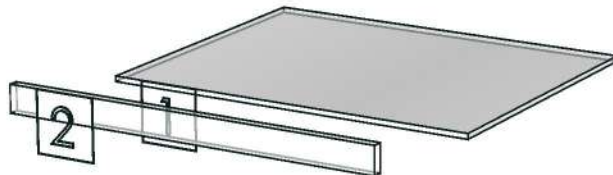
K107-160151534



R&D REVIEW	
<input checked="" type="checkbox"/>	DWG.Customer
<input checked="" type="checkbox"/>	Work Report
<input type="checkbox"/>	Function
<input type="checkbox"/>	สินค้าตรงตัวอย่าง
ผู้ทบทวน P.SAWAI	
25/8/24	



Model	-ARISE_CRM_D_FLR630		
Creator		.BCP Name	INDEX_C3D_KITCHEN2
Reviewer		Order	I003303
Approves		Date	



Model	ARISE_CRM_DDM2350		
Creator	PASATHORN	.BCP Name	INDEX_C3D_KITCHEN2
Reviewer		Order	I003246
Approves	P. SAWAI	Date	22/07/2024

ARISE_CRM_DDM2350-2350X6X425

Colour
03.13=PVC WHITE#630 T0.15MM.

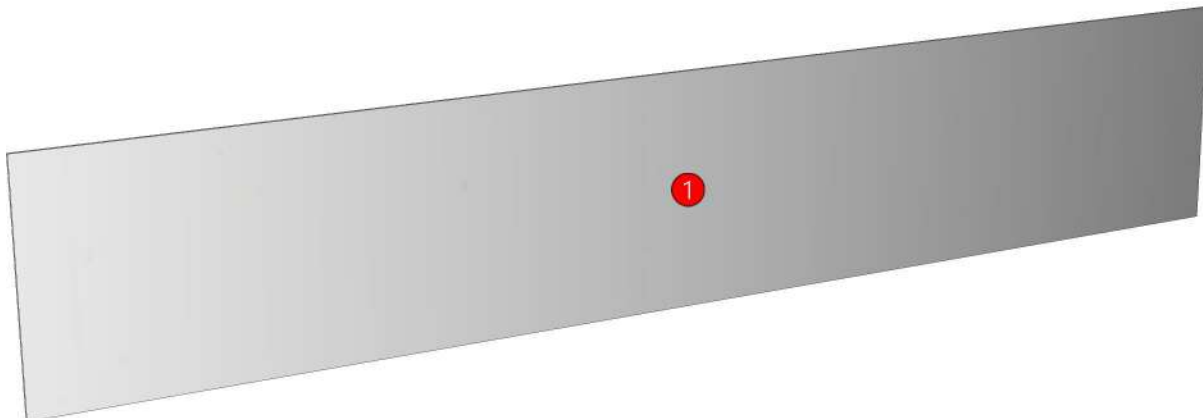
Edge
=

K105R-160151502

R&D REVIEW

- DWG.Customer
- Work Report
- Function
- สินค้าตรงตัวอย่าง

ผู้ทบทวน P.SAWAI
22/07/2024



Model	ARISE_CRM_DFB		
Creator	PASATHORN	.BCP Name	INDEX_C3D_KITCHEN2
Reviewer		Order	I003288
Approves	P.SAWAI	Date	06/08/2024

ARISE_CRM_DFB-150X16X801

Colour
20.05=ML.MK3258_MATT

Edge
01.157=1 MD229

R&D REVIEW

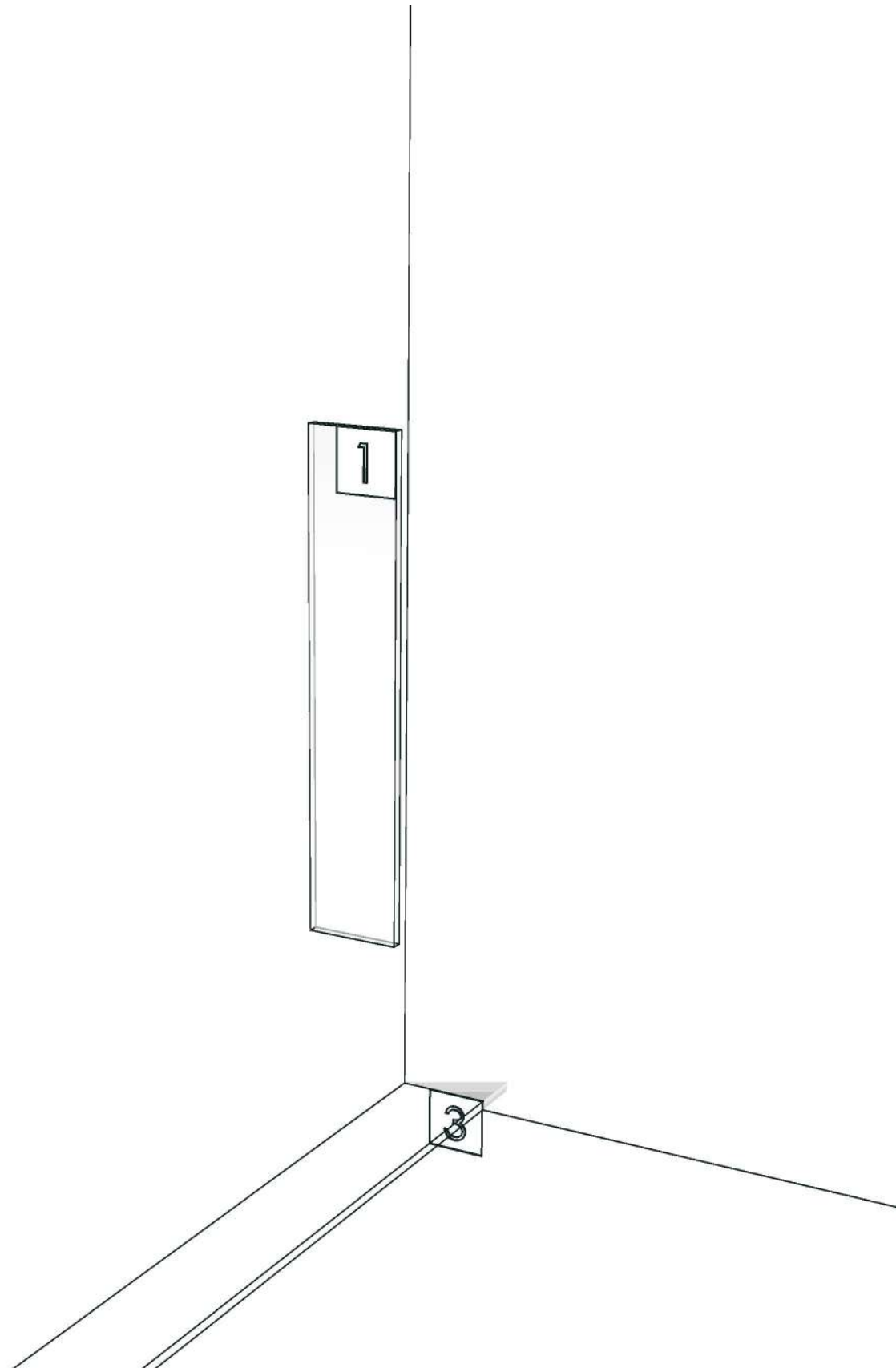
- DWG.Customer
- Work Report
- Function
- สินค้าตรงตัวอย่าง

ผู้ทบทวน P.SAWAI
25/8/24

K105-160151502
K106L-160151517
K106R-160146891
K107-160151534



Model	-ARISE_CRM_DFB		
Creator		.BCP Name	INDEX_C3D_KITCHEN2
Reviewer		Order	I003288
Approves		Date	



Model	ARISE_CRM_DFLS		
Creator	PASATHORN	.BCP Name	INDEX_C3D_KITCHEN2
Reviewer		Order	I003259
Approves	P.SAWAI	Date	23/07/2024

ARISE_CRM_DFLS-150X16X900

Colour

05.68=ML.BROWN NORDIC#BT1 (MATT WOODGRAIN)
20.05=ML.MK3258_MATT

Edge

01.381=1 ML.BROWN NORDIC BT1
01.157=1 MD229

R&D REVIEW	
<input checked="" type="checkbox"/>	DWG.Customer
<input checked="" type="checkbox"/>	Work Report
<input type="checkbox"/>	Function
<input type="checkbox"/>	สินค้าตรงตัวอย่าง
ผู้ทบทวน P.SAWAI	
23/07/2024	

K105-160151502

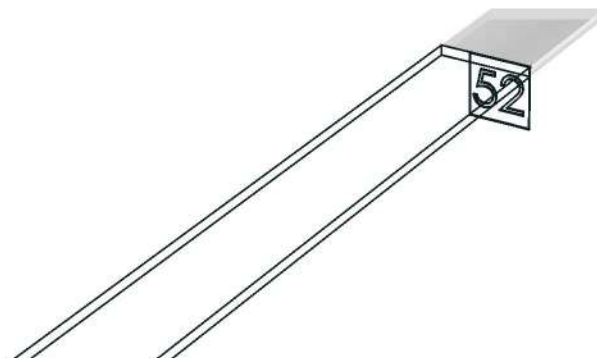
K106L-160151517

K106R-160146891

K107-160151534



Model	-ARISE_CRM_DFLS		
Creator		.BCP Name	INDEX_C3D_KITCHEN2
Reviewer		Order	I003259
Approves		Date	



Model	ARISE_CRM_DFW		
Creator	PASATHORN	.BCP Name	INDEX_C3D_KITCHEN2
Reviewer		Order	I003238
Approves	P.SAWAI	Date	18/07/2024

ARISE_CRM_DFW-150X16X600

Colour

20.109=ML.GALAXY GREY AS7 (SUPER MATT)
20.05=ML.MK3258_MATT

Edge

01.182=1 GALAXY GREY AS7
01.157=1 MD229

K100L-160151456
K100R-160146862
K101L-160151468
K101R-160146874

K105-160151502
K106L-160151517
K106R-160146891



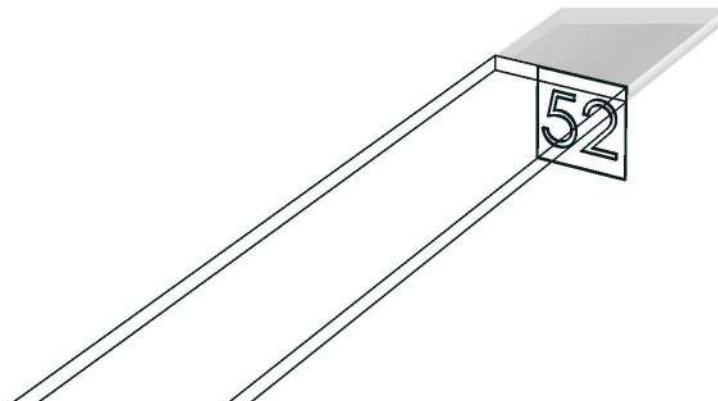
R&D REVIEW

- DWG.Customer
- Work Report
- Function
- สินค้าตรงตัวอย่าง

ผู้ทบทวน P.SAWAI

25/07/2024

Model	-ARISE_CRM_DFW		
Creator		.BCP Name	INDEX_C3D_KITCHEN2
Reviewer		Order	I003238
Approves		Date	



Model	ARISE_CRM_DDM125		
Creator	PASATHORN	.BCP Name	INDEX_C3D_KITCHEN2
Reviewer		Order	I003299
Approves	P.SAWAI	Date	08/08/2024

ARISE_CRM_DDM125-1250X16X150

Colour

20.109=ML.GALAXY GREY AS7 (SUPER MATT)

Edge

01.182=1 GALAXY GREY AS7

K105R-160151502

K107L-160151534

R&D REVIEW	
<input checked="" type="checkbox"/>	DWG.Customer
<input checked="" type="checkbox"/>	Work Report
<input type="checkbox"/>	Function
<input type="checkbox"/>	สินค้าตรงตัวอย่าง
ผู้ทบทวน P.SAWAI	
08/08/2024	



Model	ARISE_CRM_DDM235		
Creator	PASATHORN	.BCP Name	INDEX_C3D_KITCHEN2
Reviewer		Order	I003252
Approves	P.SAWAI	Date	22/07/2024

ARISE_CRM_DDM235-2350X16X150

Colour

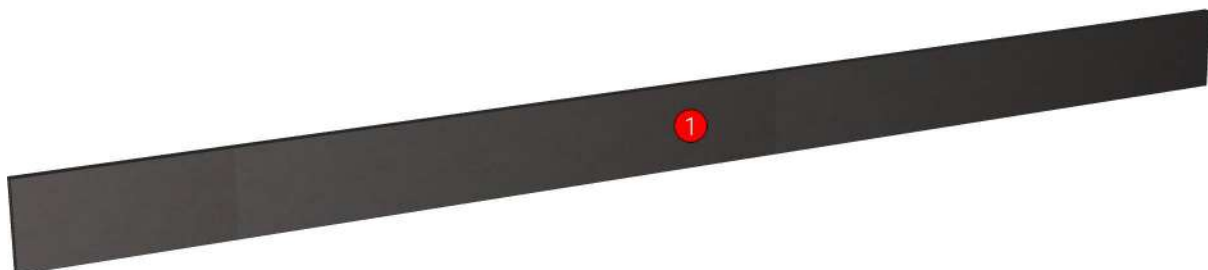
20.109=ML.GALAXY GREY AS7 (SUPER MATT)

Edge

01.182=1 GALAXY GREY AS7

K105R-160151502

R&D REVIEW	
<input checked="" type="checkbox"/>	DWG.Customer
<input checked="" type="checkbox"/>	Work Report
<input type="checkbox"/>	Function
<input type="checkbox"/>	สินค้าตรงตัวอย่าง
ผู้ทบทวน P.SAWAI	
22/07/2024	



Model	ARISE_CRM_DF_CL1800		
Creator	PASATHORN	.BCP Name	INDEX_C3D_KITCHEN2
Reviewer		Order	I003235
Approves	P.SAWAI	Date	18/07/2024

ARISE_CRM_DF_CL1800-1800X16X150

Colour

20.109=ML.GALAXY GREY AS7 (SUPER MATT)

Edge

01.182=1 GALAXY GREY AS7

K105R-160151502

R&D REVIEW	
<input checked="" type="checkbox"/>	DWG.Customer
<input checked="" type="checkbox"/>	Work Report
<input type="checkbox"/>	Function
<input type="checkbox"/>	สินค้าตรงตัวอย่าง
ผู้ทบทวน <u>P.SAWAI</u>	
<u>18/07/2024</u>	



Model	ARISE_CRM_DF_CL300		
Creator	PASATHORN	.BCP Name	INDEX_C3D_KITCHEN2
Reviewer		Order	I003286
Approves	P. SAWAI	Date	06/08/2024

ARISE_CRM_DF_CL300-300X16X150

Colour

20.109=ML.GALAXY GREY AS7 (SUPER MATT)

Edge

01.182=1 GALAXY GREY AS7

R&D REVIEW

- DWG.Customer
- Work Report
- Function
- สิ้นค้าตรงตัวอย่าง

ผู้ทบทวน P.SAWAI

25/8/2563

K100L-160151456

K100R-160146862

K101L-160151468

K101R-160146874

K105-160151502

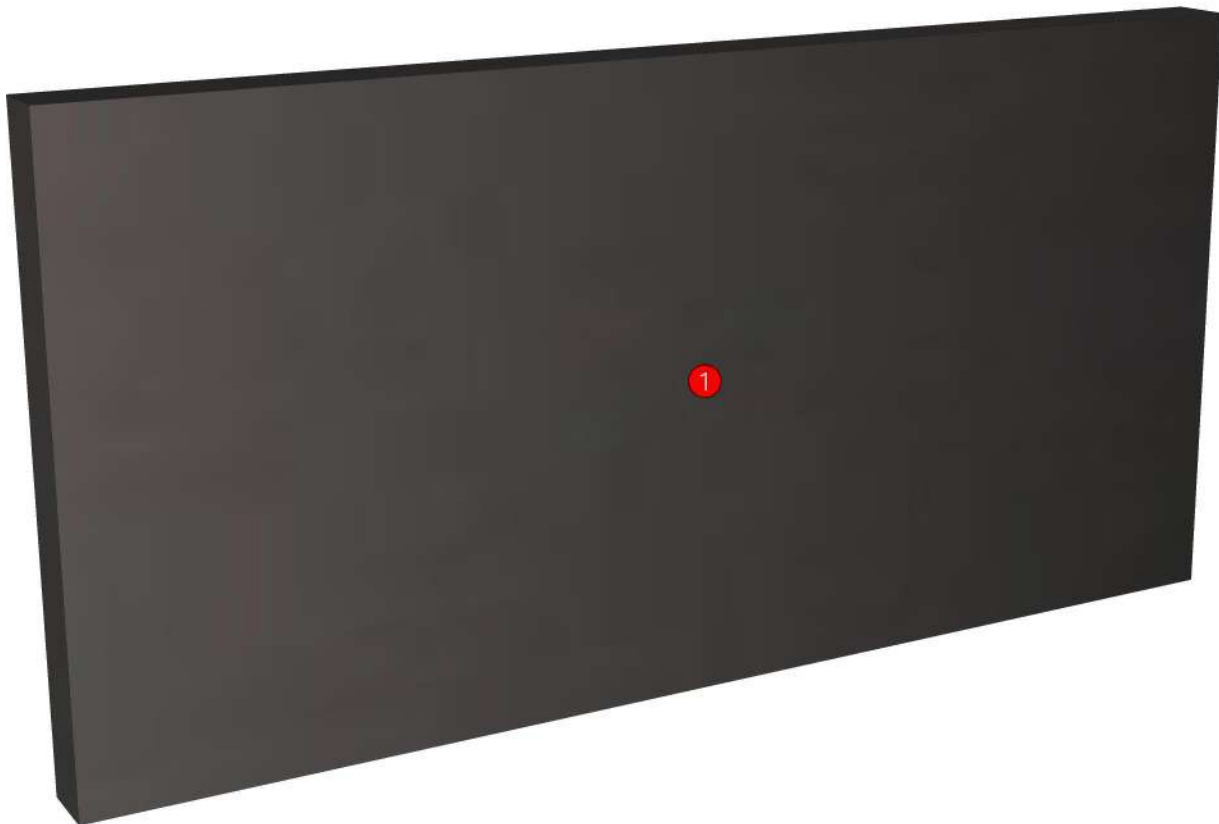
K106L-160151517

K106R-160146891

K107-160151534

K103-160151495

K104-160151495



Model	ARISE_CRM_DUT1200		
Creator	PASATHORN	.BCP Name	INDEX_C3D_KITCHEN2
Reviewer		Order	I003294
Approves	P.SAWAI	Date	06/08/2024

ARISE_CRM_DUT1200-1200X60X12

Colour

05.01=ML WHITE VM1012 18/18

Edge

01.47=1 WHITE

R&D REVIEW

- DWG.Customer
- Work Report
- Function
- สินค้าตรงตัวอย่าง

ผู้ทบทวน P.SAWAI

[Signature]

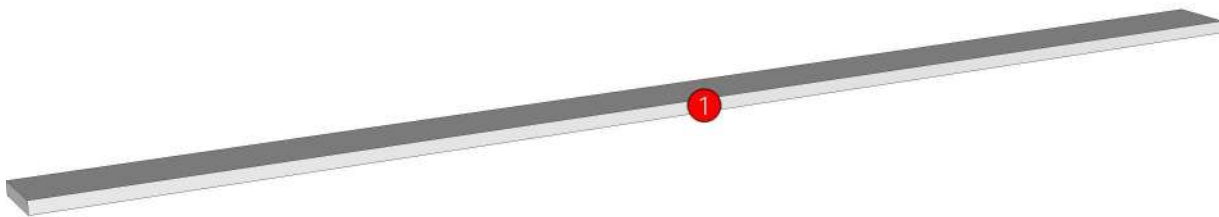
K101L-160151468

K105-160151502



K101R-160146874

K107-160151534



Model	ARISE_CRM_DUT1700		
Creator	PASATHORN	.BCP Name	INDEX_C3D_KITCHEN2
Reviewer		Order	I003223
Approves	P.SAWAI	Date	18/07/2024

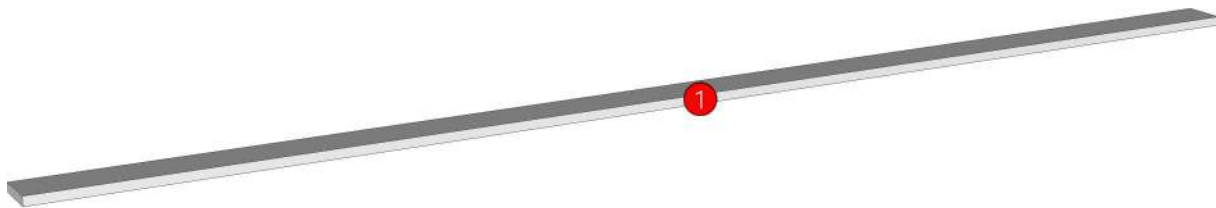
ARISE_CRM_DUT1700-1700X60X12

Colour
05.01=ML WHITE VM1012 18/18

Edge
01.47=1 WHITE

K105R-160151502

R&D REVIEW	
<input checked="" type="checkbox"/>	DWG.Customer
<input checked="" type="checkbox"/>	Work Report
<input type="checkbox"/>	Function
<input type="checkbox"/>	สินค้าตรงตัวอย่าง
ผู้ทบทวน <u>P.SAWAI</u>	
<u>18/07/2024</u>	



Model	ARISE_CRM_DUT500		
Creator	PASATHORN	.BCP Name	INDEX_C3D_KITCHEN2
Reviewer		Order	I003293
Approves	P.SAWAI	Date	06/08/2024

ARISE_CRM_DUT500-500X60X12

Colour

05.01=ML WHITE VM1012 18/18

Edge

01.47=1 WHITE

R&D REVIEW	
<input checked="" type="checkbox"/>	DWG.Customer
<input checked="" type="checkbox"/>	Work Report
<input type="checkbox"/>	Function
<input type="checkbox"/>	สินค้าตรงตัวอย่าง
ผู้ทบทวน P.SAWAI	
25/8/24	

K100L-160151456

K100R-160146862

K101L-160151468

K101R-160146874

K102L-160146884

K102R-160151478

K103-160151495

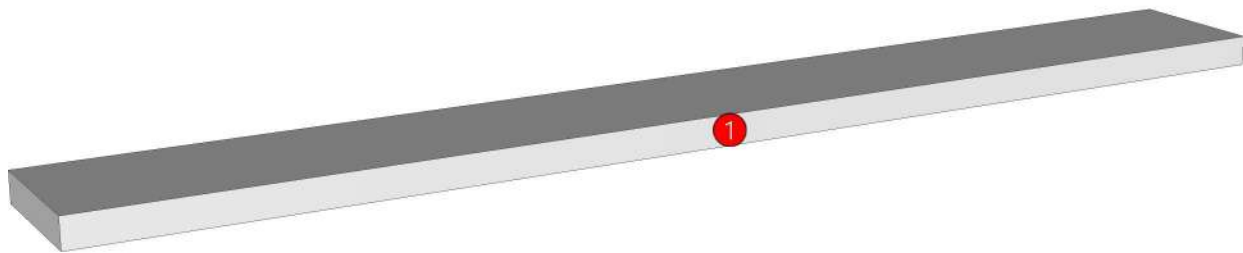
K105-160151502

K106L-160151517

K106R-160146891

K107-160151534

K104-160151495



Model	-ARISE_CRM_DUT500		
Creator		.BCP Name	INDEX_C3D_KITCHEN2
Reviewer		Order	I003293
Approves		Date	



Model	ARISE_CRM_D_PLT700		
Creator	PASATHORN	.BCP Name	INDEX_C3D_KITCHEN2
Reviewer		Order	I003227
Approves	P.SAWAI	Date	18/07/2024

ARISE_CRM_D_PLT700-700X9X100

Colour

20.109=ML.GALAXY GREY AS7 (SUPER MATT)

Edge

01.182=1 GALAXY GREY AS7

K105-160151502

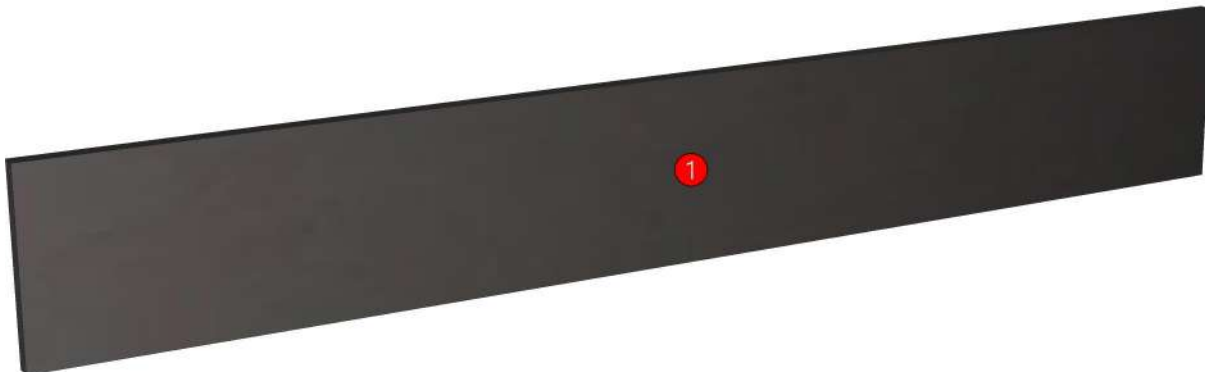
K106L-160151517

K106R-160146891

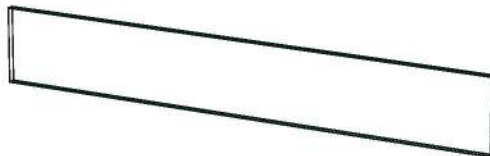
K107-160151534



R&D REVIEW	
<input checked="" type="checkbox"/>	DWG.Customer
<input checked="" type="checkbox"/>	Work Report
<input type="checkbox"/>	Function
<input type="checkbox"/>	สินค้าตรงตัวอย่าง
ผู้ทบทวน P.SAWAI	
18/07/2024	



Model	-ARISE_CRM_D_PLT700		
Creator		.BCP Name	INDEX_C3D_KITCHEN2
Reviewer		Order	I003227
Approves		Date	



Model	ARISE_CRM_D_PLT600		
Creator	PASATHORN	.BCP Name	INDEX_C3D_KITCHEN2
Reviewer		Order	I003279
Approves	P.SAWAI	Date	06/08/2024

ARISE_CRM_D_PLT600-600X9X100

Colour

20.109=ML.GALAXY GREY AS7 (SUPER MATT)

Edge

01.182=1 GALAXY GREY AS7

R&D REVIEW

- DWG.Customer
- Work Report
- Function
- สินค้าตรงตัวอย่าง

ผู้ทบทวน P.SAWAI

_____/_____/____!

K100L-160151456

K100R-160146862

K101L-160151468

K101R-160146874

K105-160151502

K106L-160151517

K106R-160146891

K107-160151534

K103-160151495

K104-160151495

