

Model	ARISE_CRM_DBS60LGR		
Creator	PASATHORN	.BCP Name	INDEX_C3D_KITCHEN2
Reviewer		Order	I003823
Approves		Date	20/12/2024

ARISE_CRM_DBS60LGR-600X570X901

Colour

20.109=ML.GALAXY GREY AS7 (SUPER MATT)

20.05=ML.MK3258_MATT

Edge

01.182=1 GALAXY GREY AS7

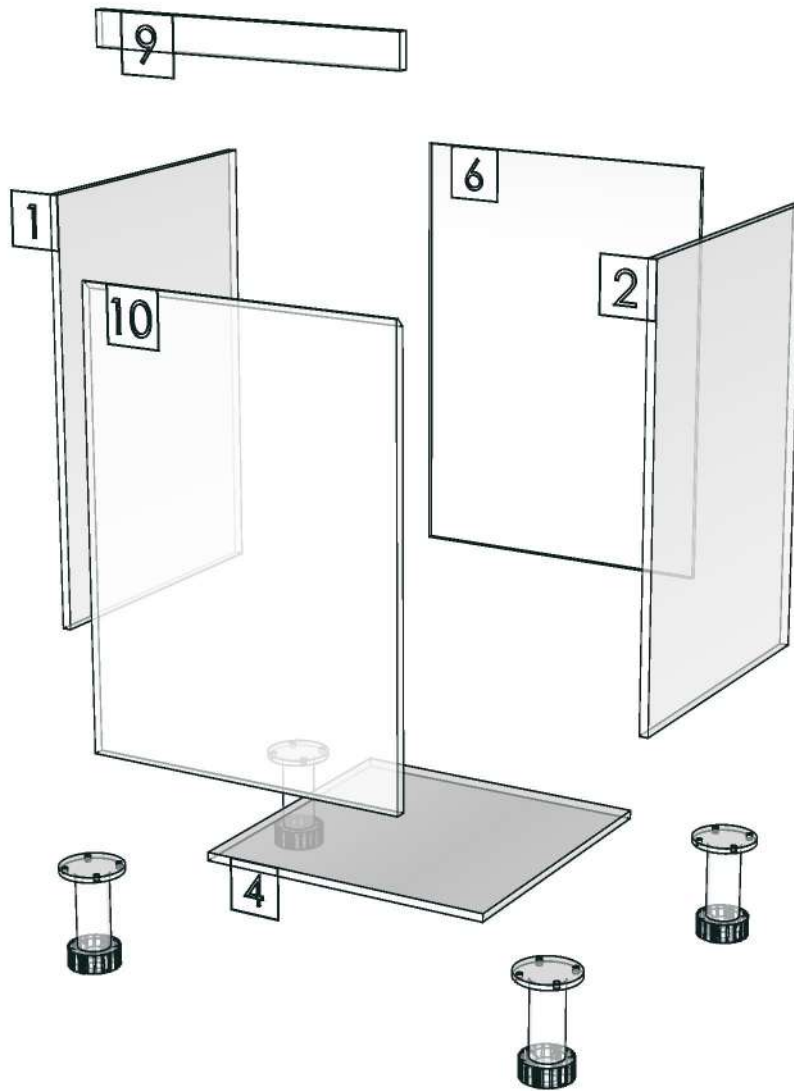
01.157=1 MD229

R&D REVIEW	
<input checked="" type="checkbox"/>	DWG.Customer
<input checked="" type="checkbox"/>	Work Report
<input type="checkbox"/>	Function
<input type="checkbox"/>	สินค้าตรงตัวอย่าง
ผู้ทบทวน _____	

K103-160151495



Model	-ARISE_CRM_DBS60LGR		
Creator		.BCP Name	INDEX_C3D_KITCHEN2
Reviewer		Order	I003823
Approves		Date	



Model	ARISE_CRM_DBD352G		
Creator	PASATHORN	.BCP Name	INDEX_C3D_KITCHEN2
Reviewer		Order	I003272
Approves	P.SAWAI	Date	25/07/2024

ARISE_CRM_DBD352G-350X570X901

Colour

20.109=ML.GALAXY GREY AS7 (SUPER MATT)

20.05=ML.MK3258_MATT

K100L-160151456

K100R-160146862

Edge

01.182=1 GALAXY GREY AS7

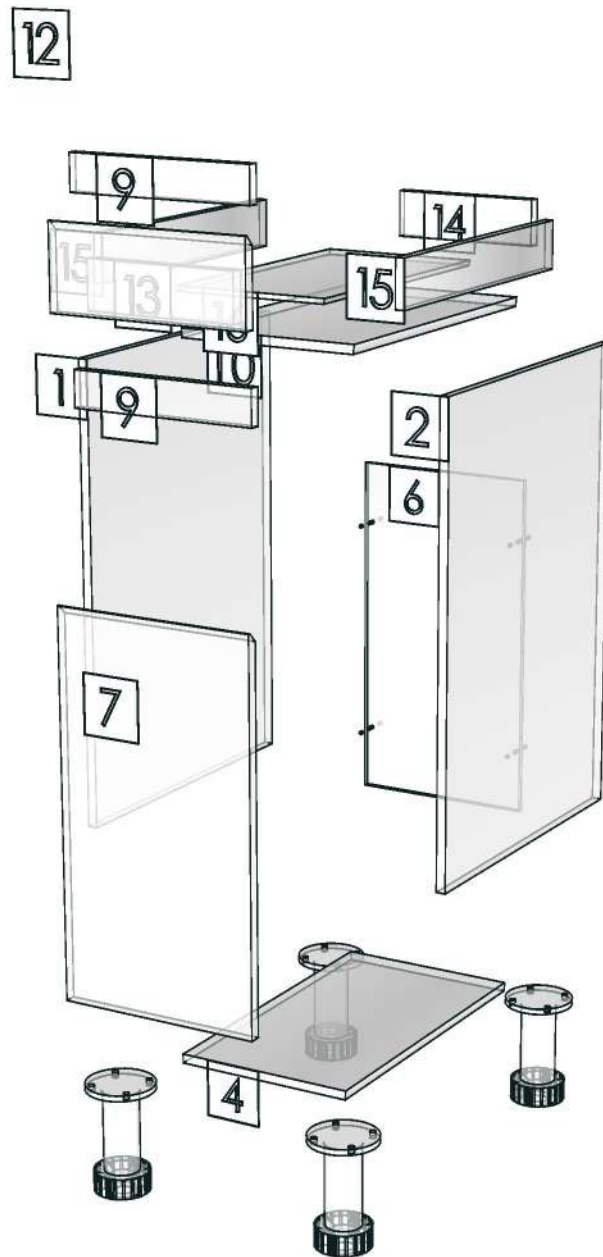
01.157=1 MD229

R&D REVIEW	
<input checked="" type="checkbox"/>	DWG.Customer
<input checked="" type="checkbox"/>	Work Report
<input type="checkbox"/>	Function
<input type="checkbox"/>	สินค้าตรงตัวอย่าง
ผู้ทบทวน <u>P.SAWAI</u>	
<u>25/07/2024</u>	

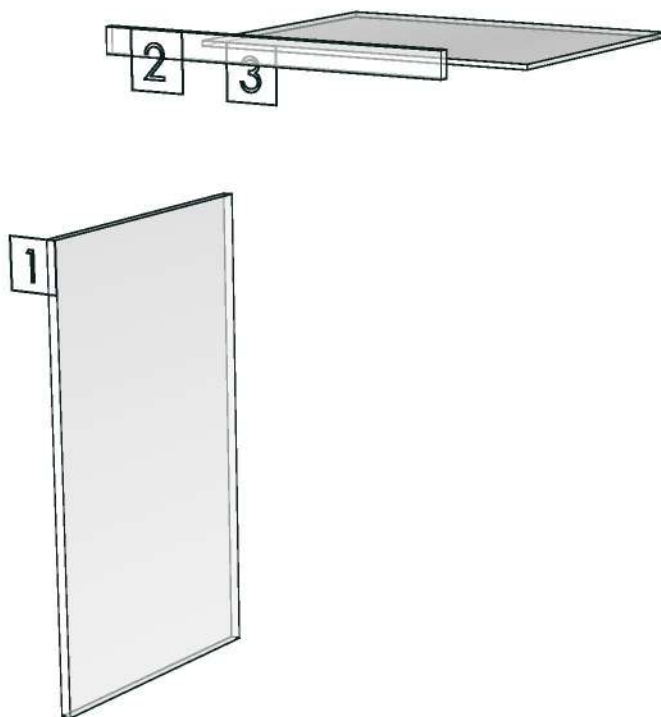
K103-160151495



Model	-ARISE_CRM_DBD352G		
Creator		.BCP Name	INDEX_C3D_KITCHEN2
Reviewer		Order	I003272
Approves		Date	



Model	-ARISE_CRM_DBO65		
Creator		.BCP Name	INDEX_C3D_KITCHEN2
Reviewer		Order	I003282
Approves		Date	



Model	ARISE_CRM_DL95SR		
Creator	PASATHORN	.BCP Name	INDEX_C3D_KITCHEN2
Reviewer		Order	I003821
Approves		Date	20/12/2024

ARISE_CRM_DL95SR-950X300X900

Colour

- 20.109=ML.GALAXY GREY AS7 (SUPER MATT)
- 20.05=ML.MK3258_MATT
- 05.68=ML.BROWN NORDIC#BT1 (MATT WOODGRAIN)

Edge

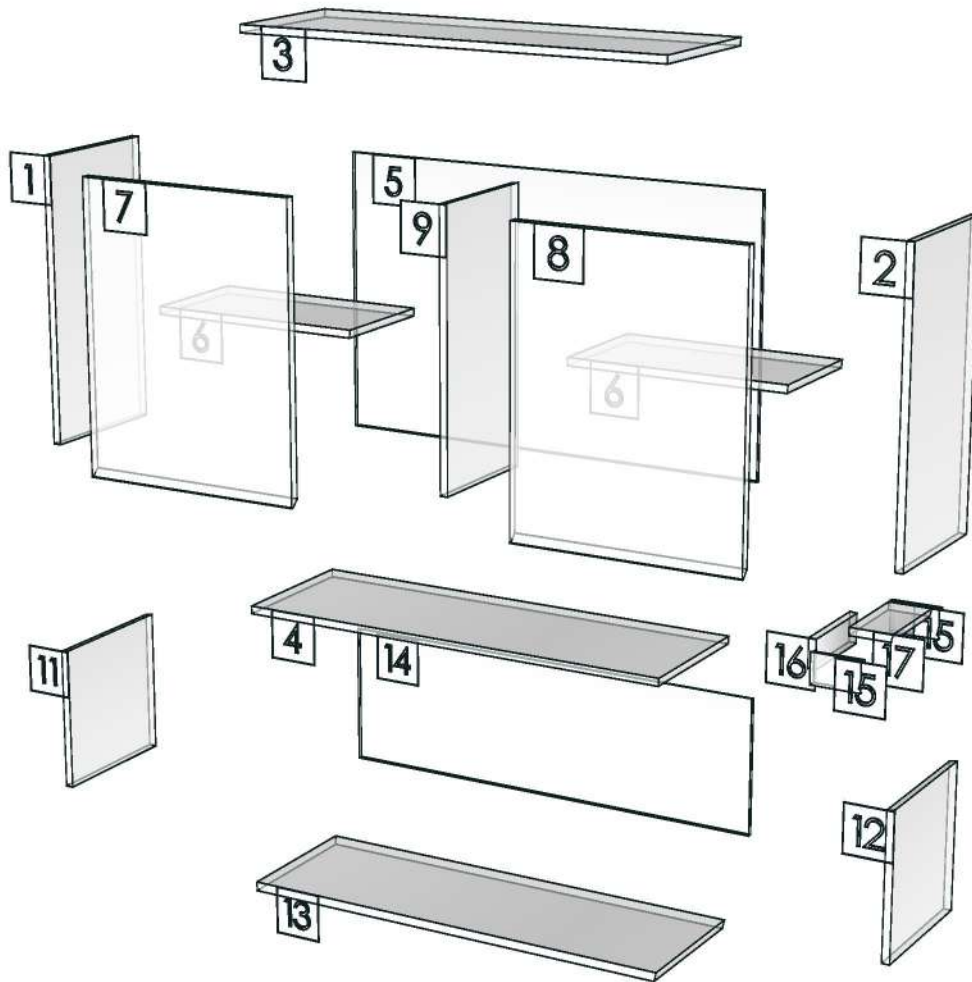
- 01.182=1 GALAXY GREY AS7
- 01.157=1 MD229
- 01.381=1 ML.BROWN NORDIC BT1

R&D REVIEW	
<input checked="" type="checkbox"/>	DWG.Customer
<input checked="" type="checkbox"/>	Work Report
<input type="checkbox"/>	Function
<input type="checkbox"/>	สินค้าตรงตัวอย่าง
ผู้ทบทวน _____	

K103L-160151495



Model	-ARISE_CRM_DL95SR		
Creator		.BCP Name	INDEX_C3D_KITCHEN2
Reviewer		Order	I003821
Approves		Date	



Model	ARISE_CRM_DL60HR		
Creator	PASATHORN	.BCP Name	INDEX_C3D_KITCHEN2
Reviewer		Order	I003301
Approves	P.SAWAI	Date	08/08/2024

ARISE_CRM_DL60HR-600X300X855

Colour

20.109=ML.GALAXY GREY AS7 (SUPER MATT)
20.05=ML.MK3258_MATT

Edge

01.185=1 STATURIO BB4 HG
01.157=1 MD229

R&D REVIEW	
<input checked="" type="checkbox"/>	DWG.Customer
<input checked="" type="checkbox"/>	Work Report
<input type="checkbox"/>	Function
<input type="checkbox"/>	สินค้าตรงตัวอย่าง
ผู้ทบทวน <u>P.SAWAI</u>	
<u>25/8/24</u>	

K100L-160151456

K101L-160151468

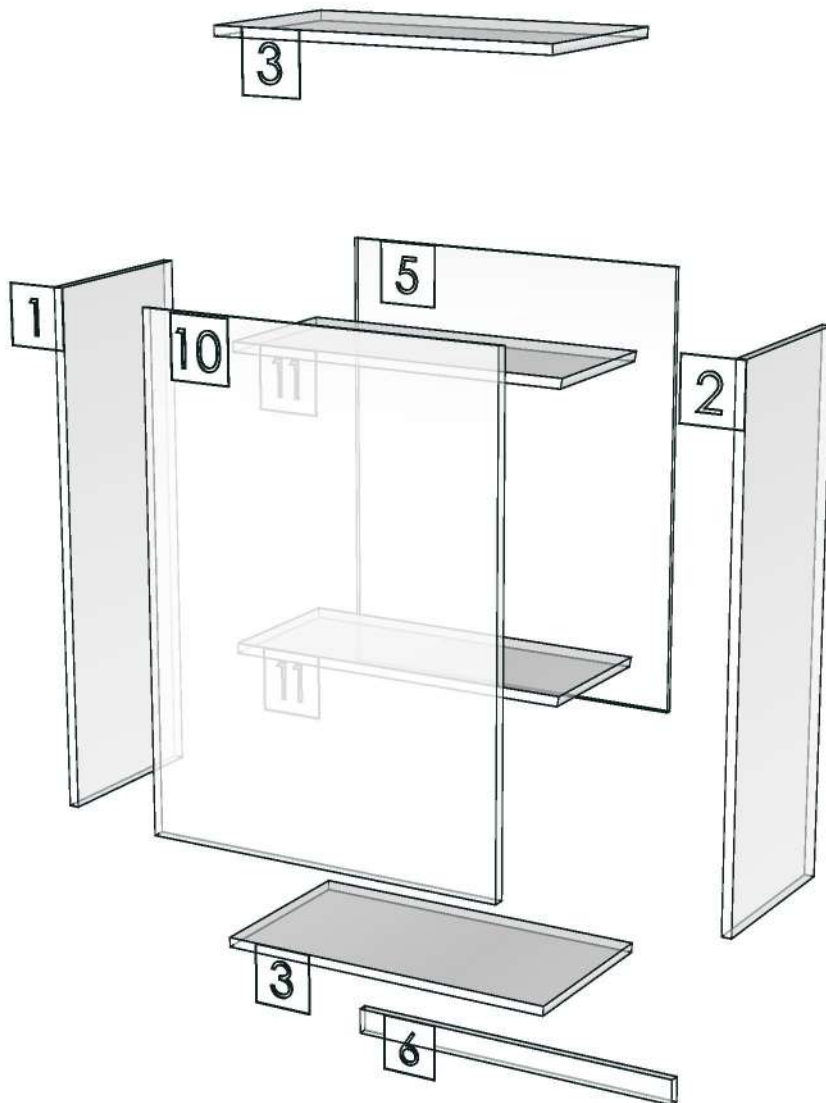
K106L-160151517

K107-160151534

K103-160151495



Model	-ARISE_CRM_DL60HR		
Creator		.BCP Name	INDEX_C3D_KITCHEN2
Reviewer		Order	I003301
Approves		Date	



Model	ARISE_CRM_DDM1650		
Creator	PASATHORN	.BCP Name	INDEX_C3D_KITCHEN2
Reviewer		Order	I003243
Approves	P.SAWAI	Date	19/07/2024

ARISE_CRM_DDM1650-1650X6X425

Colour

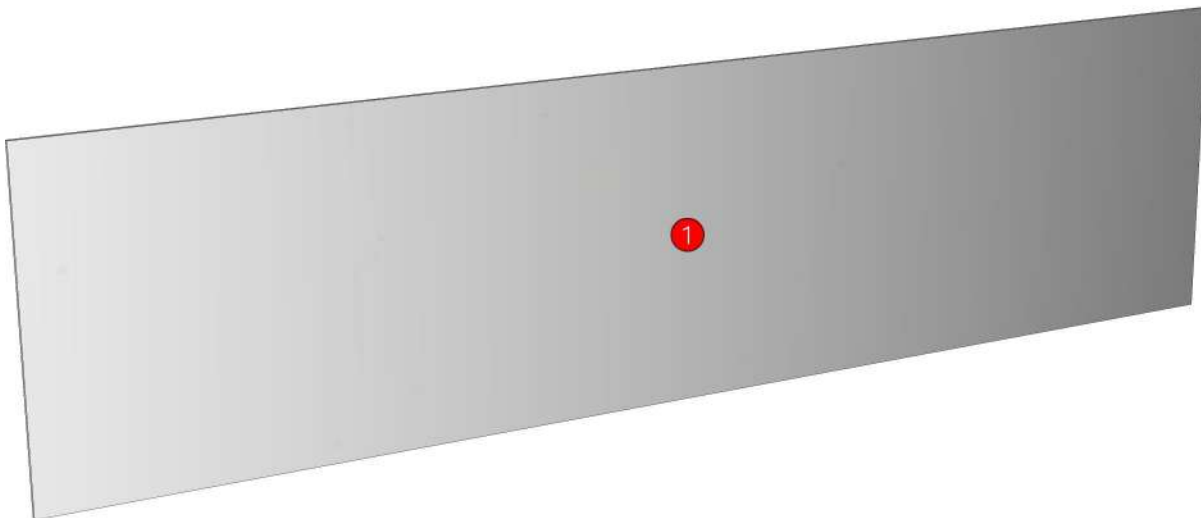
03.13=PVC WHITE#630 T0.15MM.

Edge

=

R&D REVIEW	
<input checked="" type="checkbox"/>	DWG.Customer
<input checked="" type="checkbox"/>	Work Report
<input type="checkbox"/>	Function
<input type="checkbox"/>	สินค้าตรงตัวอย่าง
ผู้ทบทวน P.SAWAI	
<i>[Signature]</i>	

K103L-160151495



Model	ARISE_CRM_DDM600		
Creator	PASATHORN	.BCP Name	INDEX_C3D_KITCHEN2
Reviewer		Order	I003239
Approves	P.SAWAI	Date	19/07/2024

ARISE_CRM_DDM600-600X6X575

Colour

03.13=PVC WHITE#630 T0.15MM.

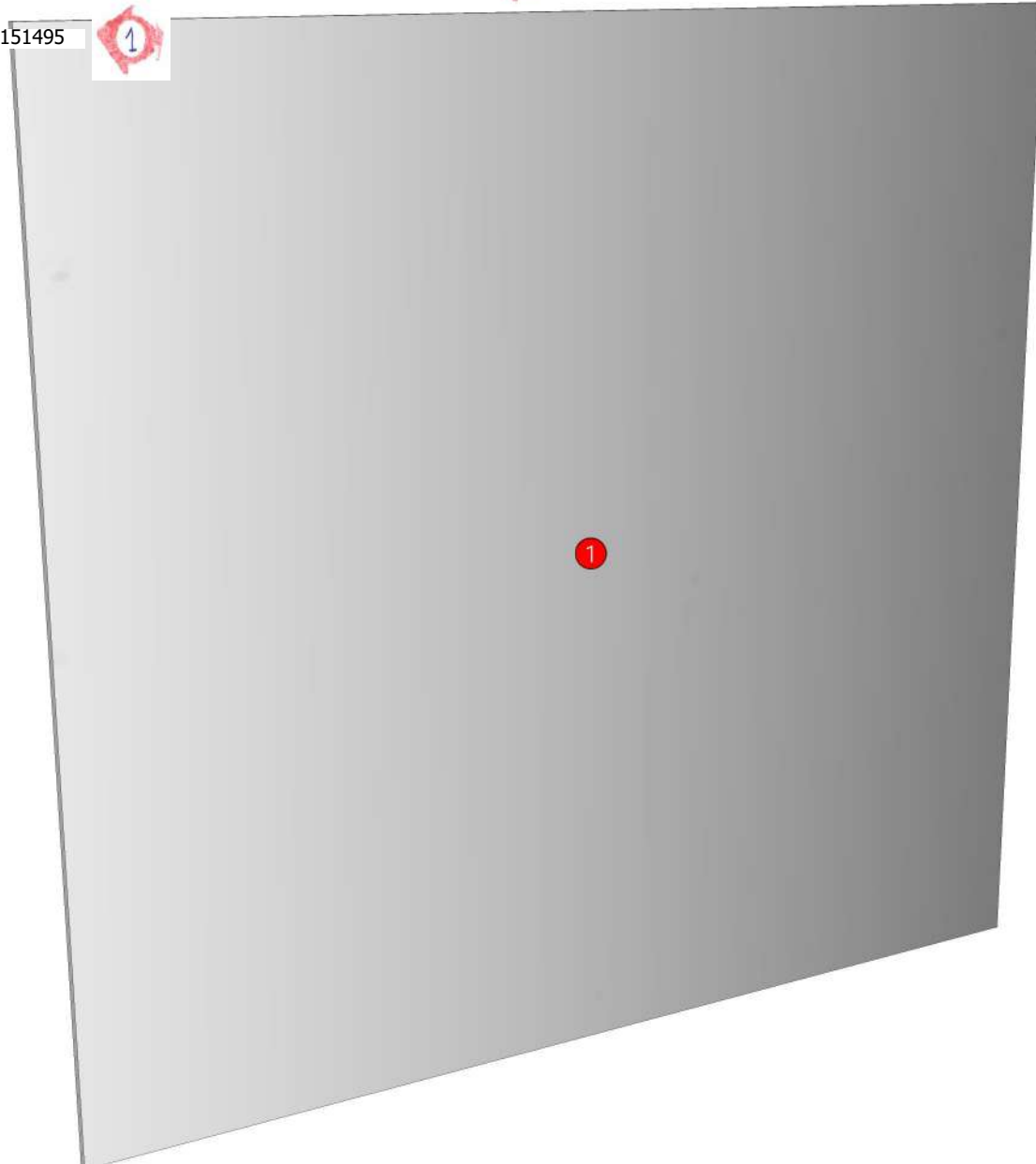
Edge

=

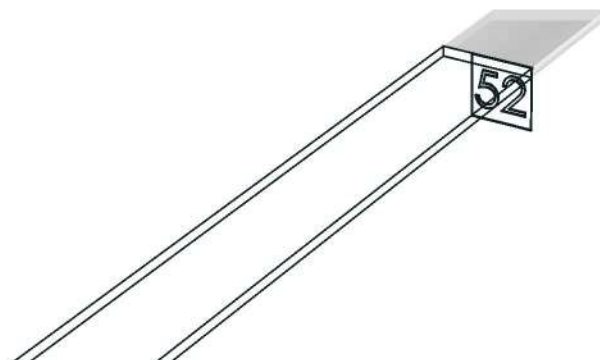
R&D REVIEW	
<input checked="" type="checkbox"/>	DWG.Customer
<input checked="" type="checkbox"/>	Work Report
<input type="checkbox"/>	Function
<input type="checkbox"/>	สินค้าตรงตัวอย่าง
ผู้ทบทวน P.SAWAI	
19/07/2024	

K101L-160151468
K101R-160146874
K105-160151502
K106L-160151517
K106R-160146891
K107-160151534

K103-160151495



Model	-ARISE_CRM_DFL		
Creator		.BCP Name	INDEX_C3D_KITCHEN2
Reviewer		Order	I003290
Approves		Date	



Model	ARISE_CRM_DDM165		
Creator	PASATHORN	.BCP Name	INDEX_C3D_KITCHEN2
Reviewer		Order	I003249
Approves	P.SAWAI	Date	22/07/2024

ARISE_CRM_DDM165-1650X16X150

Colour

20.109=ML.GALAXY GREY AS7 (SUPER MATT)

Edge

01.182=1 GALAXY GREY AS7

R&D REVIEW	
<input checked="" type="checkbox"/>	DWG.Customer
<input checked="" type="checkbox"/>	Work Report
<input type="checkbox"/>	Function
<input type="checkbox"/>	สินค้าตรงตัวอย่าง
ผู้ทบทวน <u>P.SAWAI</u>	
<u>22/07/2024</u>	

K103L-160151495



Model	ARISE_CRM_DF_CL1650		
Creator	PASATHORN	.BCP Name	INDEX_C3D_KITCHEN2
Reviewer		Order	I003234
Approves	P.SAWAI	Date	18/07/2024

ARISE_CRM_DF_CL1650-1650X16X150

Colour

20.109=ML.GALAXY GREY AS7 (SUPER MATT)

Edge

01.182=1 GALAXY GREY AS7

R&D REVIEW	
<input checked="" type="checkbox"/>	DWG.Customer
<input checked="" type="checkbox"/>	Work Report
<input type="checkbox"/>	Function
<input type="checkbox"/>	สินค้าตรงตัวอย่าง
ผู้ทบทวน P.SAWAI	
18/07/2024	

K103L-160151495



Model	ARISE_CRM_DF_CL300		
Creator	PASATHORN	.BCP Name	INDEX_C3D_KITCHEN2
Reviewer		Order	I003286
Approves	P.SAWAI	Date	06/08/2024

ARISE_CRM_DF_CL300-300X16X150

Colour

20.109=ML.GALAXY GREY AS7 (SUPER MATT)

Edge

01.182=1 GALAXY GREY AS7

R&D REVIEW

DWG.Customer

Work Report

Function

สินค้าตรงตัวอย่าง

ผู้ทบทวน P.SAWAI

06/08/2024

K100L-160151456

K100R-160146862

K101L-160151468

K101R-160146874

K105-160151502

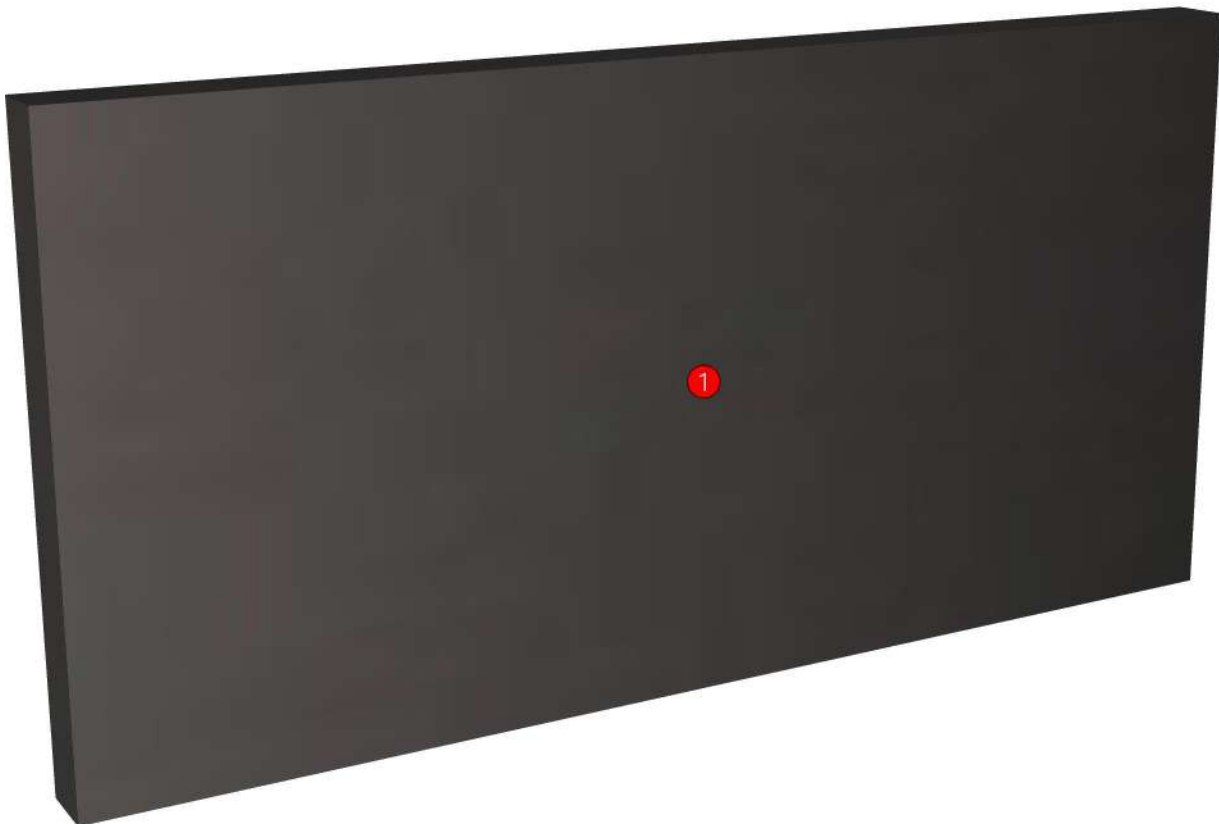
K106L-160151517

K106R-160146891

K107-160151534

K103-160151495

K104-160151495



Model	ARISE_CRM_DUT1650		
Creator	PASATHORN	.BCP Name	INDEX_C3D_KITCHEN2
Reviewer		Order	I003222
Approves	P.SAWAI	Date	18/07/2024

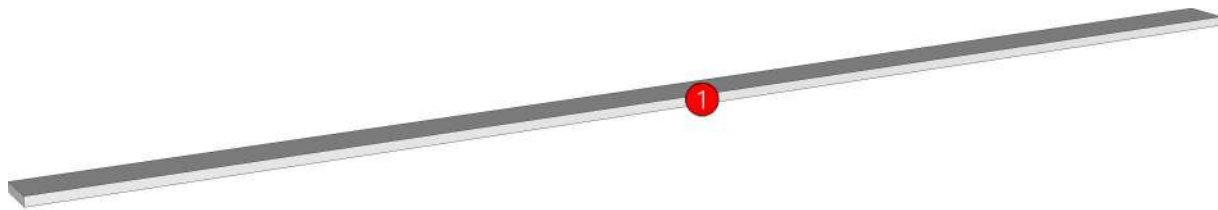
ARISE_CRM_DUT1650-1650X60X12

Colour
05.01=ML WHITE VM1012 18/18

Edge
01.47=1 WHITE

R&D REVIEW	
<input checked="" type="checkbox"/>	DWG.Customer
<input checked="" type="checkbox"/>	Work Report
<input type="checkbox"/>	Function
<input type="checkbox"/>	สินค้าตรงตัวอย่าง
ผู้ทบทวน <u>P.SAWAI</u>	
<u>18/07/2024</u>	

K103L-160151495



Model	ARISE_CRM_DUT500		
Creator	PASATHORN	.BCP Name	INDEX_C3D_KITCHEN2
Reviewer		Order	I003293
Approves	P.SAWAI	Date	06/08/2024

ARISE_CRM_DUT500-500X60X12

Colour
05.01=ML WHITE VM1012 18/18

Edge
01.47=1 WHITE

- K100L-160151456
- K100R-160146862
- K101L-160151468
- K101R-160146874
- K102L-160146884
- K102R-160151478
- K103-160151495

- K105-160151502
- K106L-160151517
- K106R-160146891
- K107-160151534

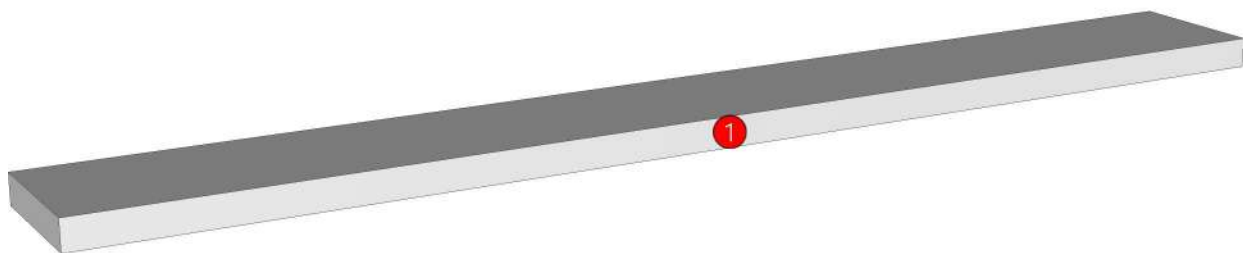
K104-160151495

R&D REVIEW

- DWG.Customer
- Work Report
- Function
- สินค้าตรงตัวอย่าง

ผู้ทบทวน P.SAWAI

25/8/24



Model	-ARISE_CRM_DUT500		
Creator		.BCP Name	INDEX_C3D_KITCHEN2
Reviewer		Order	I003293
Approves		Date	



Model	ARISE_CRM_D_PLT950		
Creator	PASATHORN	.BCP Name	INDEX_C3D_KITCHEN2
Reviewer		Order	I003230
Approves	P-SAWAI	Date	18/07/2024

ARISE_CRM_D_PLT950-950X9X100

Colour

20.109=ML.GALAXY GREY AS7 (SUPER MATT)

Edge

01.182=1 GALAXY GREY AS7

R&D REVIEW

- DWG.Customer
- Work Report
- Function
- สินค้าตรงตัวอย่าง

ผู้ทบทวน P-SAWAI

18/07/2024

K103L-160151495



Model	ARISE_CRM_D_PLT600		
Creator	PASATHORN	.BCP Name	INDEX_C3D_KITCHEN2
Reviewer		Order	I003279
Approves	P.SAWAI	Date	06/08/2024

ARISE_CRM_D_PLT600-600X9X100

Colour

20.109=ML.GALAXY GREY AS7 (SUPER MATT)

Edge

01.182=1 GALAXY GREY AS7

R&D REVIEW	
<input checked="" type="checkbox"/>	DWG.Customer
<input checked="" type="checkbox"/>	Work Report
<input type="checkbox"/>	Function
<input type="checkbox"/>	สินค้าตรงตัวอย่าง
ผู้ทบทวน P.SAWAI	
25/8/24	

K100L-160151456

K100R-160146862

K101L-160151468

K101R-160146874

K105-160151502

K106L-160151517

K106R-160146891

K107-160151534

K103-160151495

K104-160151495

