

Model	ADLER_DB775R		
Creator	SUTTHI.P	Name	INDEX_C3D_KITCHENPAE
Reviewer		Order	O002060
Approves		Date	04/11/2024

ADLER_DB775R-775X570X760

Colour

05.67=ML.WHITE LAVA MARBLE#BT5 (SUPPER MATT)

05.66=ML.WOOD OAK#BT4 (MATT WOODGRIN)

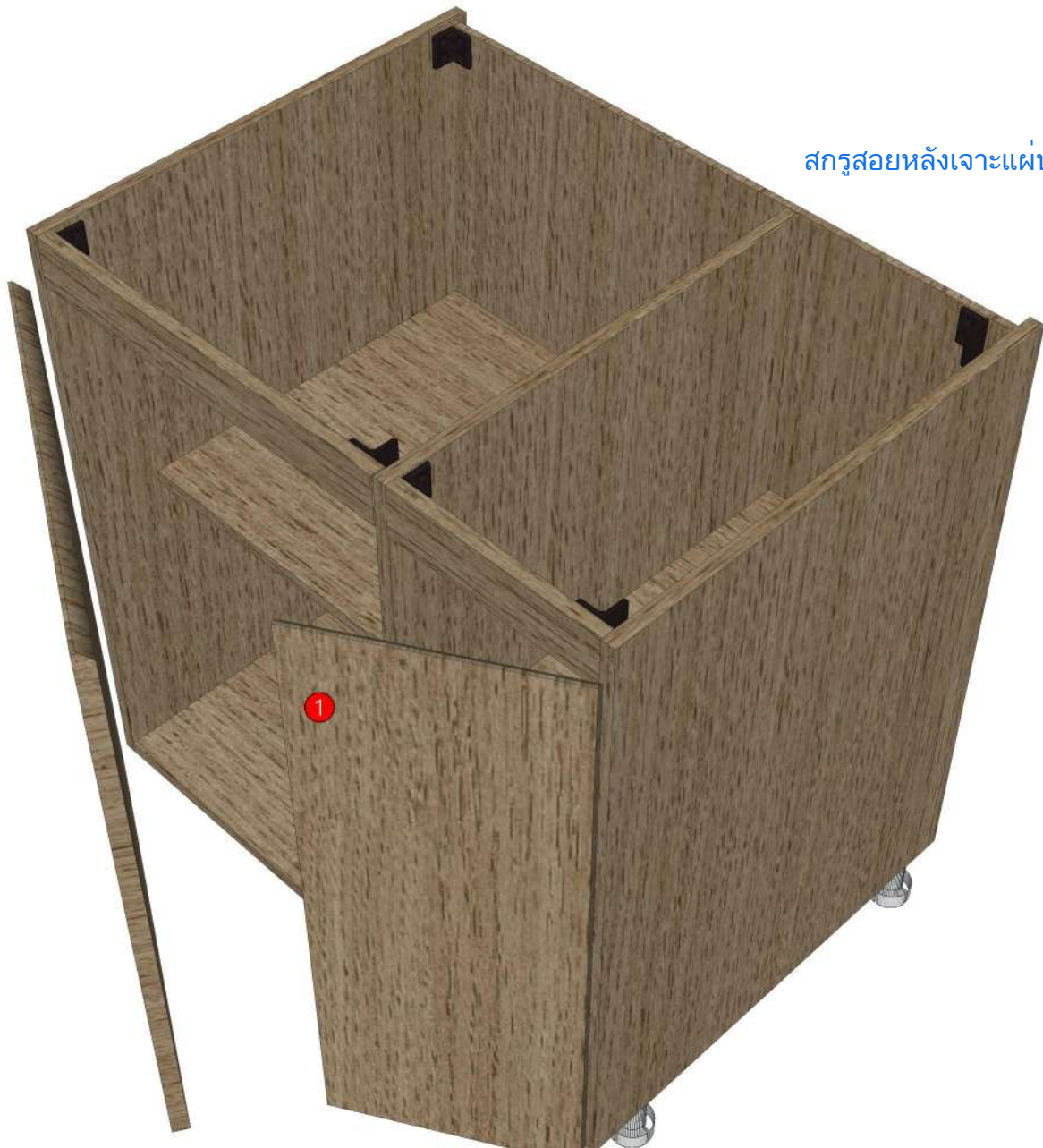
20.07=ML.WHITE #VM1012 18/18(MATT)

Edge

01.380=1 ML.WHITE LAVA MARBLE BT5

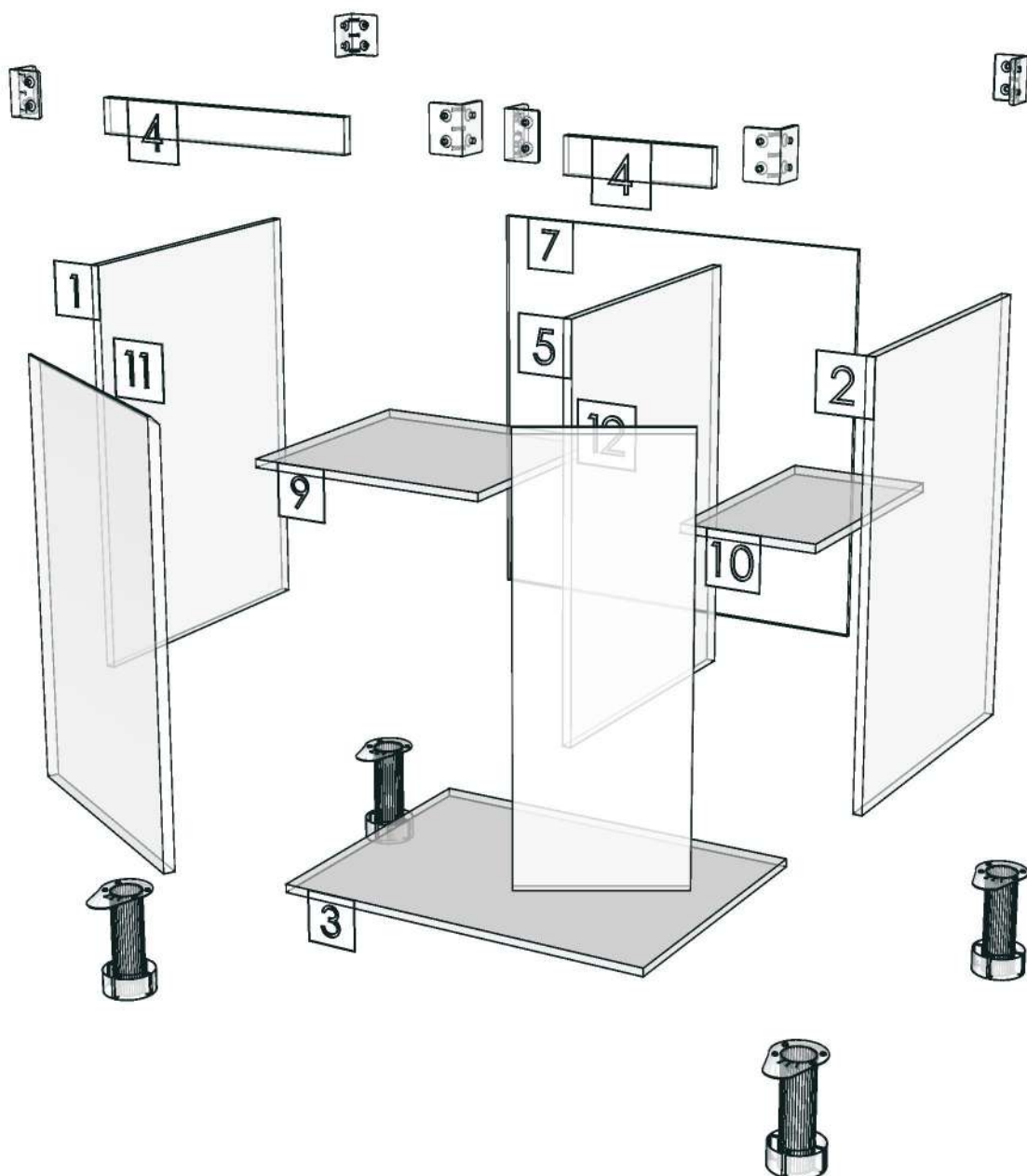
01.369=1 WOOD OAK (BT4)

01.47=1 WHITE



สกรูสอยหลังเจาะแผ่นหลัง

Model	-ADLER_DB775R	Name	INDEX_C3D_KITCHENPAE
Creator	SUTTHI.P	Order	O002060
Reviewer		Date	04/11/2024
Approves			



Model	ADLER_DBMV60	Name	INDEX_C3D_KITCHENPAE
Creator	SUTTHI.P	Order	O002064
Reviewer		Date	05/11/2024
Approves	<i>P. SAWA</i>		

ADLER_DBMV60-600X570X760

Colour

05.67=ML.WHITE LAVA MARBLE#BT5 (SUPPER MATT)

05.66=ML.WOOD OAK#BT4 (MATT WOODGRIN)

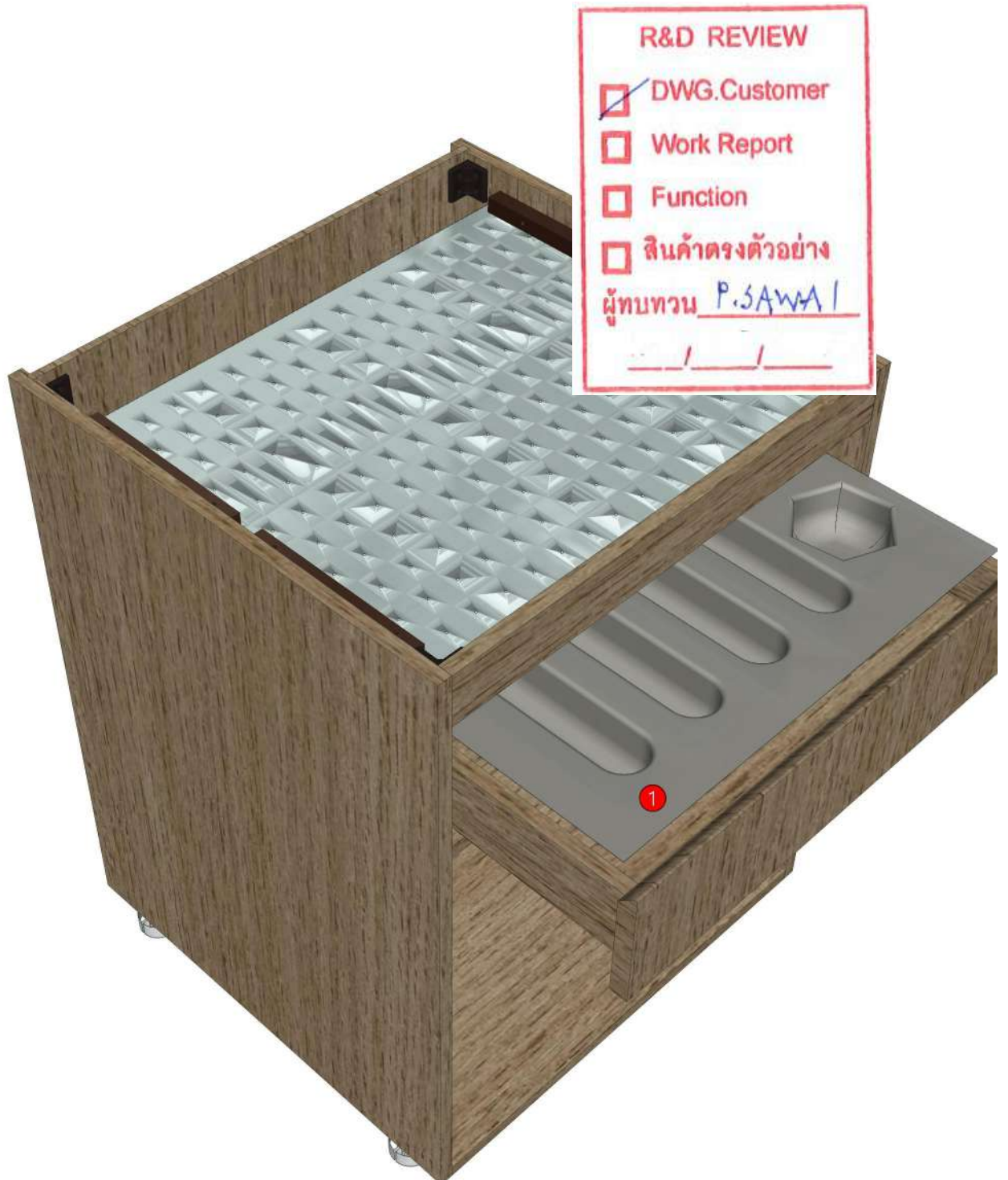
20.07=ML.WHITE #VM1012 18/18(MATT)

Edge

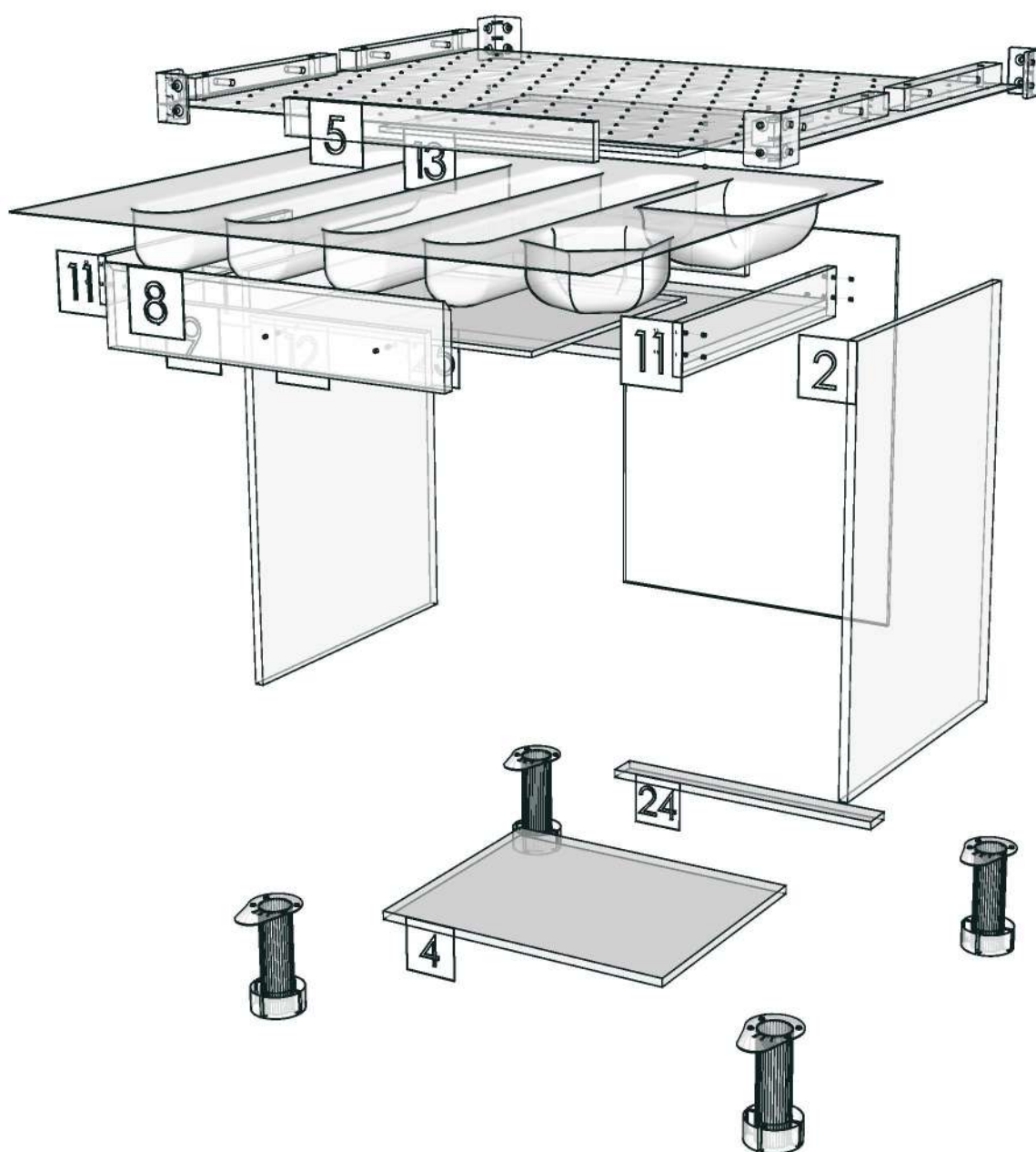
01.380=1 ML.WHITE LAVA MARBLE BT5

01.369=1 WOOD OAK (BT4)

01.47=1 WHITE



Model	-ADLER_DBMV60	Name	INDEX_C3D_KITCHENPAE
Creator	SUTTHI.P	Order	O002064
Reviewer		Date	05/11/2024
Approves	<i>P. SAWA</i>		



Model	ADLER_DFCL_1200		
Creator	SUTTHI.P	Name	INDEX_C3D_KITCHENPAE
Reviewer		Order	O002132
Approves		Date	12/12/2024

ADLER_DFCL_1200-1200X16X150

Colour

05.67=ML.WHITE LAVA MARBLE#BT5 (SUPPER MATT)

05.66=ML.WOOD OAK#BT4 (MATT WOODGRIN)

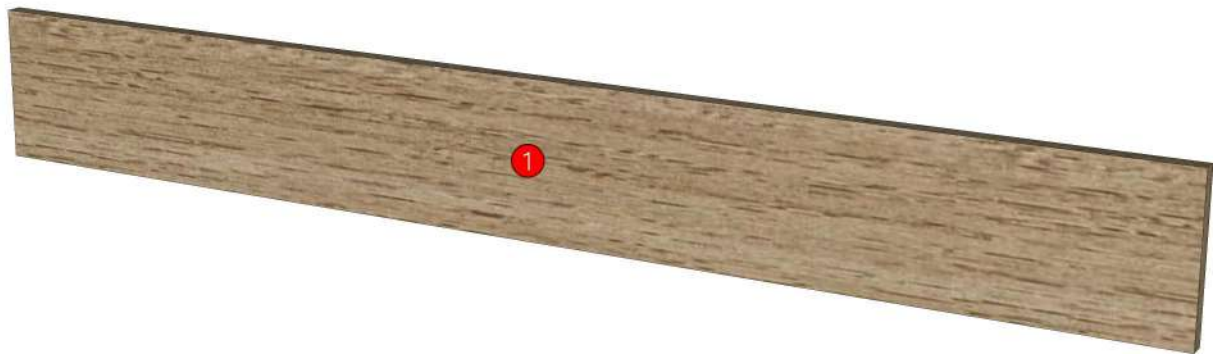
20.07=ML.WHITE #VM1012 18/18(MATT)

Edge

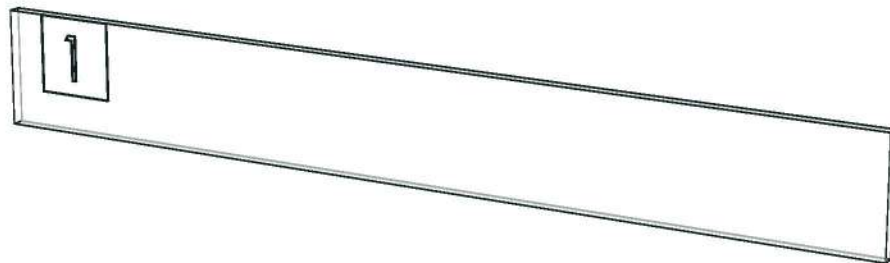
01.380=1 ML.WHITE LAVA MARBLE BT5

01.369=1 WOOD OAK (BT4)

01.47=1 WHITE



Model	-ADLER_DFCL_1200		
Creator	SUTTHI.P	Name	INDEX_C3D_KITCHENPAE
Reviewer		Order	0002132
Approves		Date	12/12/2024



Model	ADLER_DL60HR		
Creator	SUTTHI.P	Name	INDEX_C3D_KITCHENPAE
Reviewer		Order	O002107
Approves	P.SAWA	Date	09/12/2024

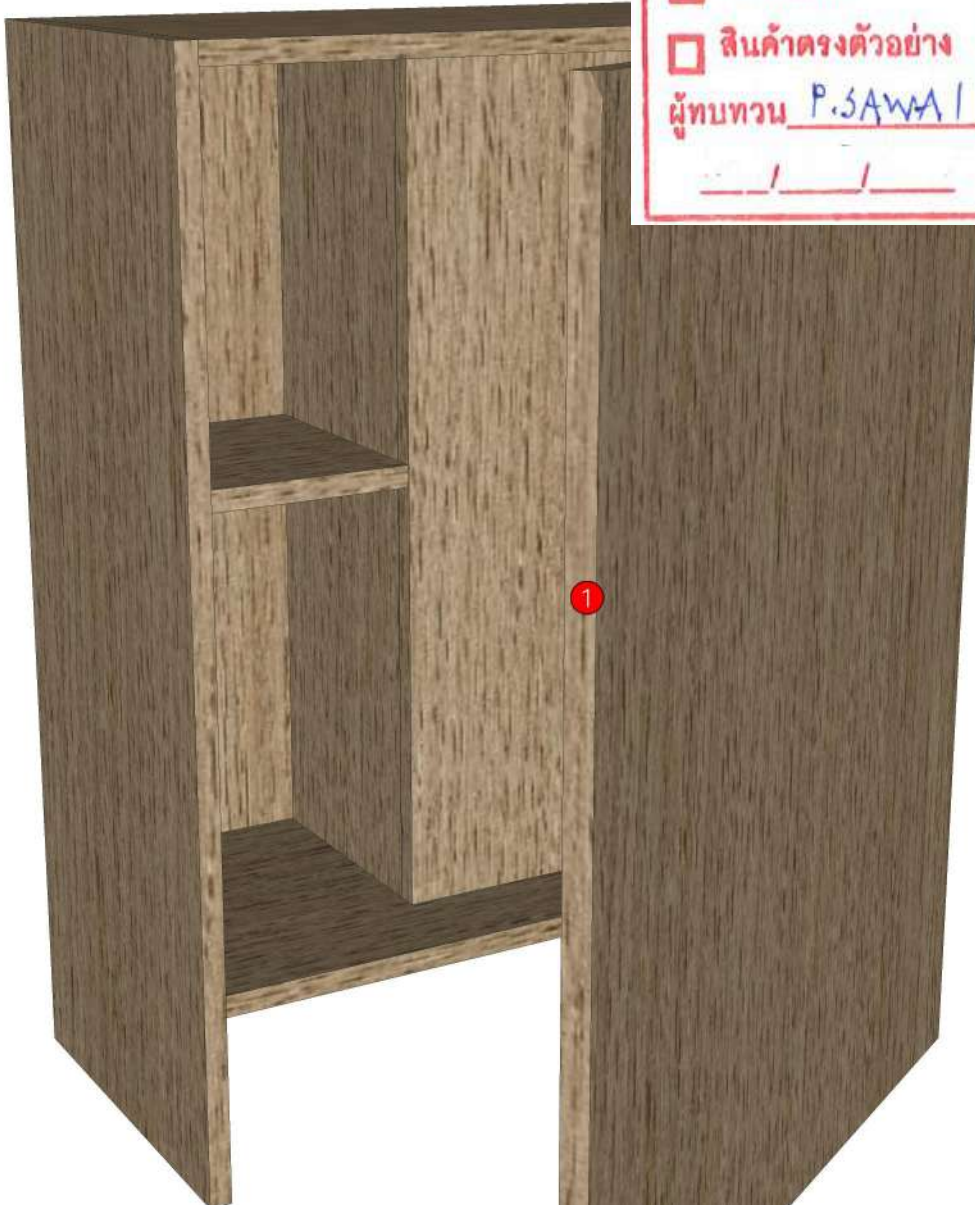
ADLER_DL60HR-600X300X785

Colour

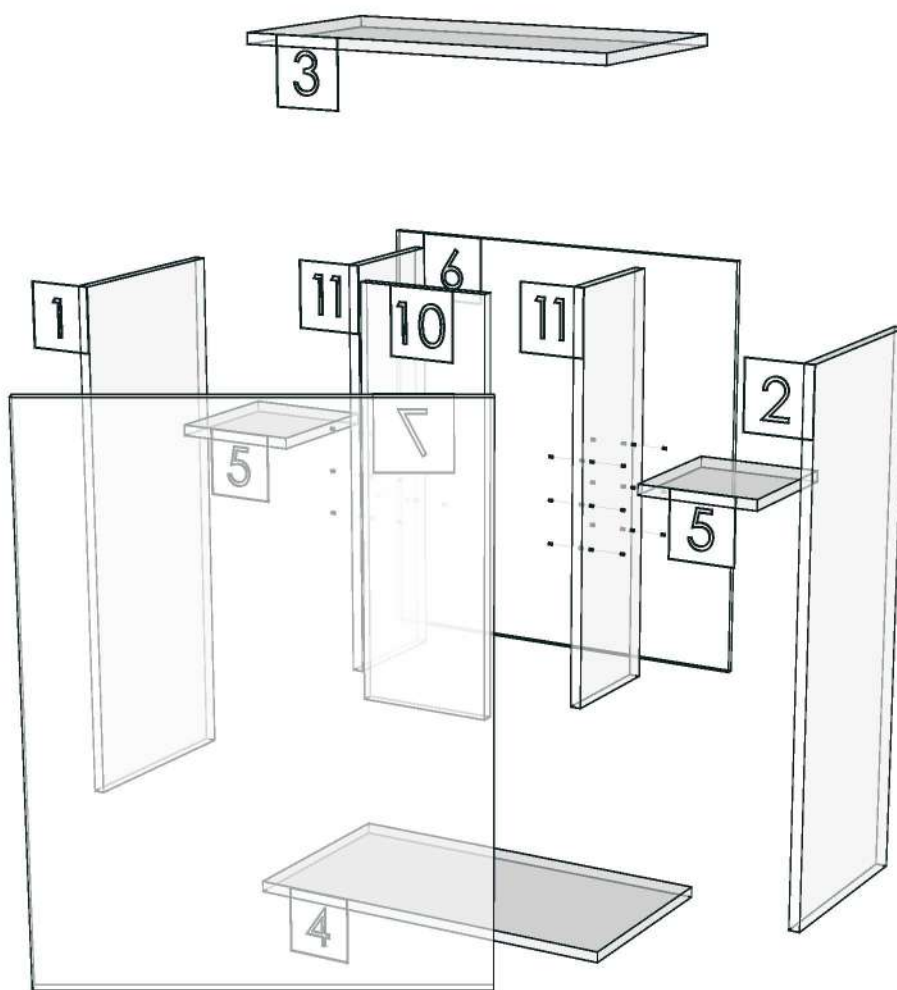
05.67=ML.WHITE LAVA MARBLE#BT5 (SUPPER MATT)
05.66=ML.WOOD OAK#BT4 (MATT WOODGRIN)
20.07=ML.WHITE #VM1012 18/18(MATT)

Edge

01.380=1 ML.WHITE LAVA MARBLE BT5
01.369=1 WOOD OAK (BT4)
01.47=1 WHITE



Model	-ADLER_DL60HR		
Creator	SUTTHI.P	Name	INDEX_C3D_KITCHENPAE
Reviewer		Order	O002107
Approves	<i>P. SAWA</i>	Date	09/12/2024



Model	ADLER_DL775RS	Name	INDEX_C3D_KITCHENPAE
Creator	SUTTHI.P	Order	O002093
Reviewer		Date	06/12/2024
Approves			

ADLER_DL775RS-775X300X830

Colour

05.67=ML.WHITE LAVA MARBLE#BT5 (SUPPER MATT)

05.66=ML.WOOD OAK#BT4 (MATT WOODGRIN)

20.07=ML.WHITE #VM1012 18/18(MATT)

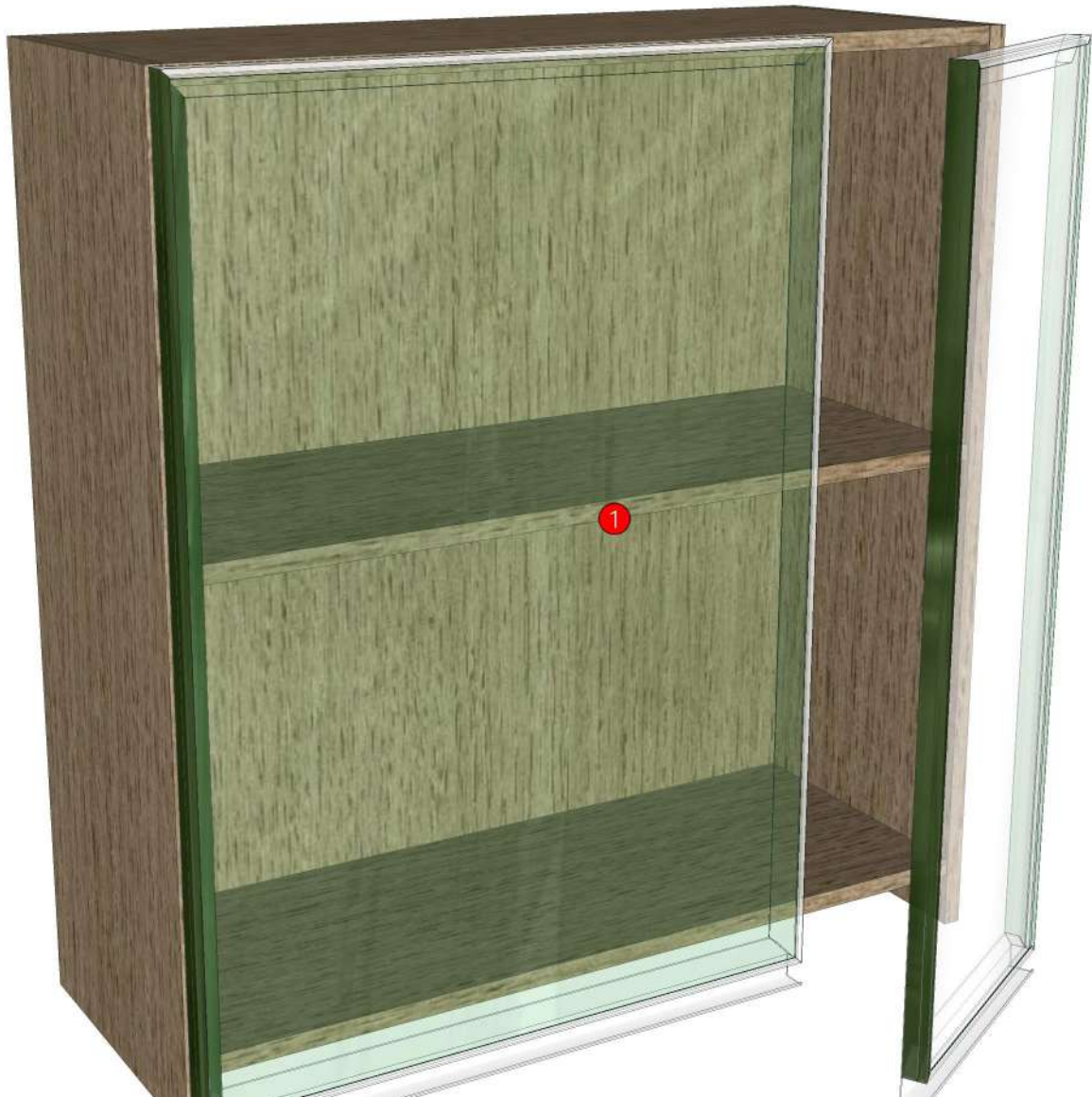
Edge

01.380=1 ML.WHITE LAVA MARBLE BT5

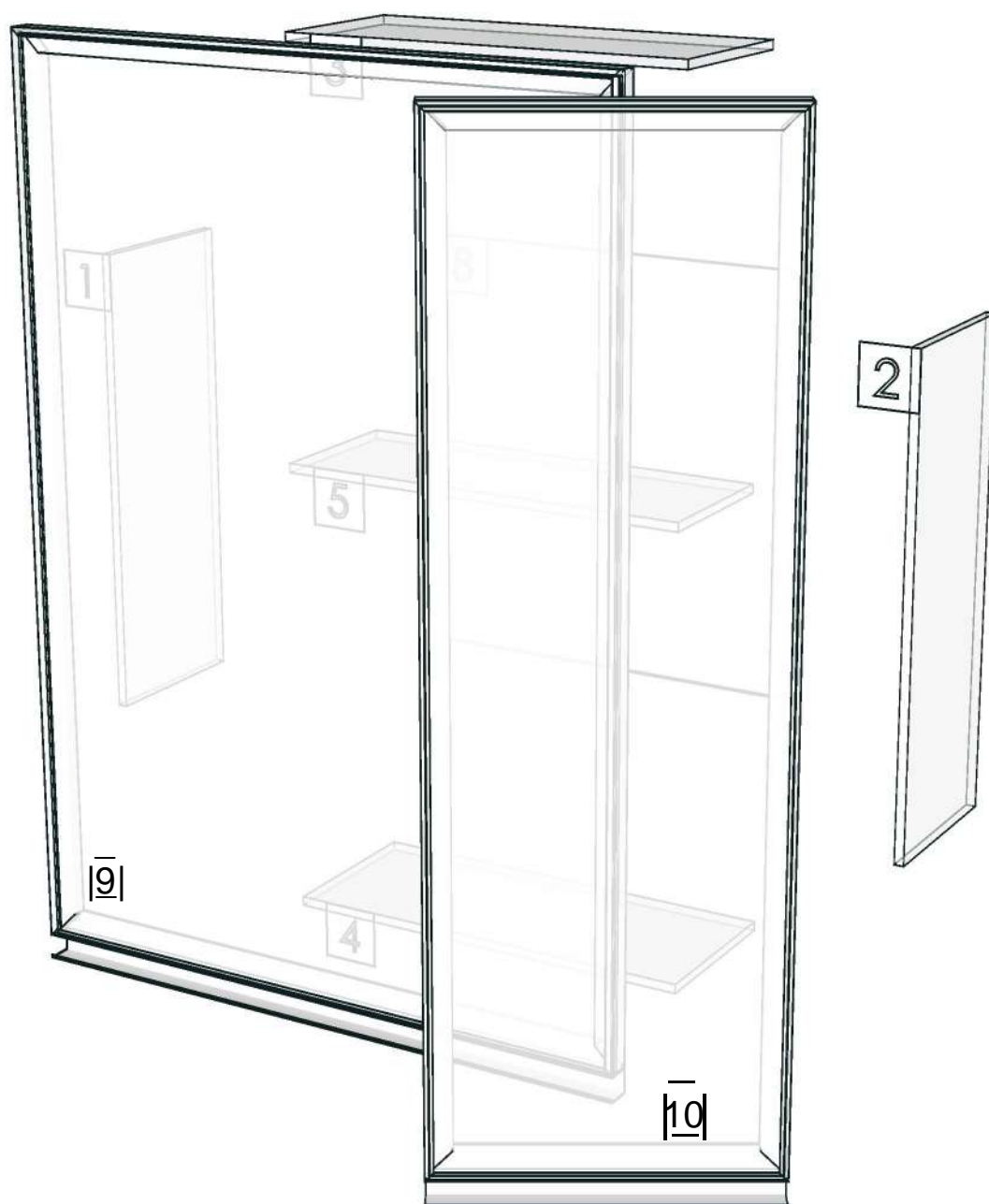
01.369=1 WOOD OAK (BT4)

01.47=1 WHITE

K 100R 160149961



Model	-ADLER_DL775RS		
Creator	SUTTHI.P	Name	INDEX_C3D_KITCHENPAE
Reviewer		Order	O002093
Approves		Date	06/12/2024



Model	ADLER_DPLT_600		
Creator	SUTTHI.P	Name	INDEX_C3D_KITCHENPAE
Reviewer		Order	O002126
Approves		Date	12/12/2024

ADLER_DPLT_600-600X9X100

Colour

05.67=ML.WHITE LAVA MARBLE#BT5 (SUPPER MATT)

05.66=ML.WOOD OAK#BT4 (MATT WOODGRIN)

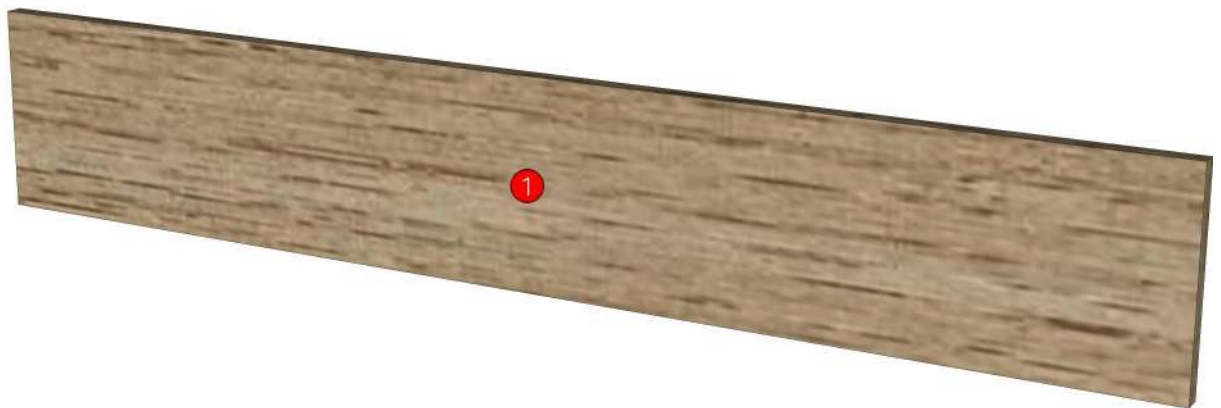
20.07=ML.WHITE #VM1012 18/18(MATT)

Edge

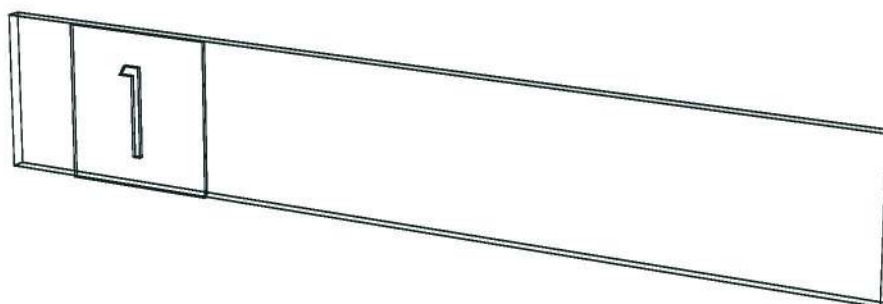
01.380=1 ML.WHITE LAVA MARBLE BT5

01.369=1 WOOD OAK (BT4)

01.47=1 WHITE



Model	-ADLER_DPLT_600		
Creator	SUTTHI.P	Name	INDEX_C3D_KITCHENPAE
Reviewer		Order	0002126
Approves		Date	12/12/2024



Model	ADLER_DPLT_717		
Creator	SUTTHI.P	Name	INDEX_C3D_KITCHENPAE
Reviewer		Order	O002127
Approves		Date	12/12/2024

ADLER_DPLT_717-717X9X100

Colour

05.67=ML.WHITE LAVA MARBLE#BT5 (SUPPER MATT)

05.66=ML.WOOD OAK#BT4 (MATT WOODGRIN)

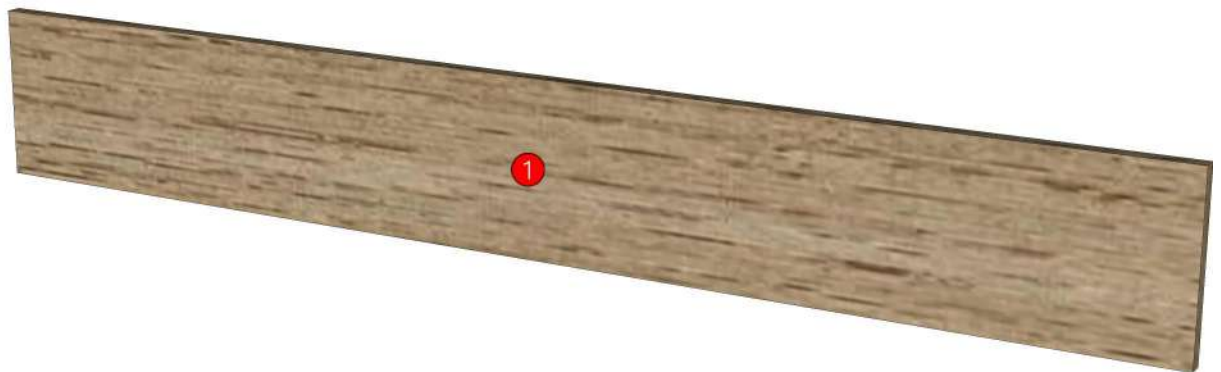
20.07=ML.WHITE #VM1012 18/18(MATT)

Edge

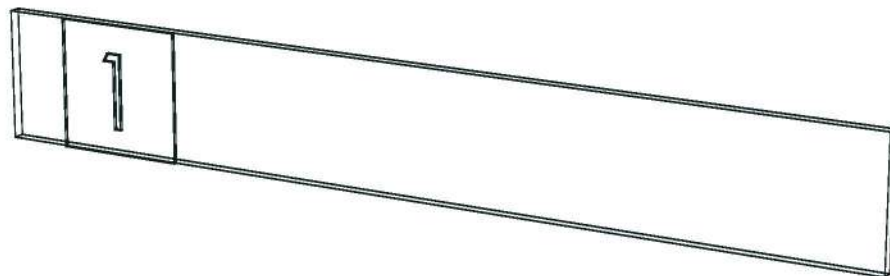
01.380=1 ML.WHITE LAVA MARBLE BT5

01.369=1 WOOD OAK (BT4)

01.47=1 WHITE



Model	-ADLER_DPLT_717		
Creator	SUTTHI.P	Name	INDEX_C3D_KITCHENPAE
Reviewer		Order	0002127
Approves		Date	12/12/2024



Model	ADLER_DT75		
Creator	SUTTHI.P	Name	INDEX_C3D_KITCHENPAE
Reviewer		Order	O002108
Approves		Date	10/12/2024

ADLER_DT75-750X350X2400

Colour

05.67=ML.WHITE LAVA MARBLE#BT5 (SUPPER MATT)

05.66=ML.WOOD OAK#BT4 (MATT WOODGRIN)

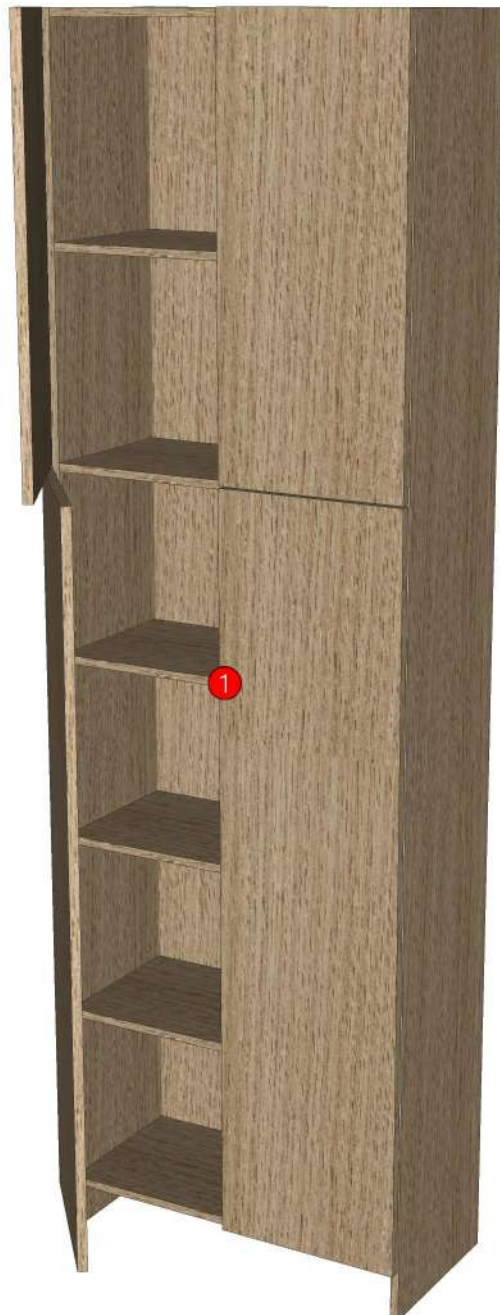
20.07=ML.WHITE #VM1012 18/18(MATT)

Edge

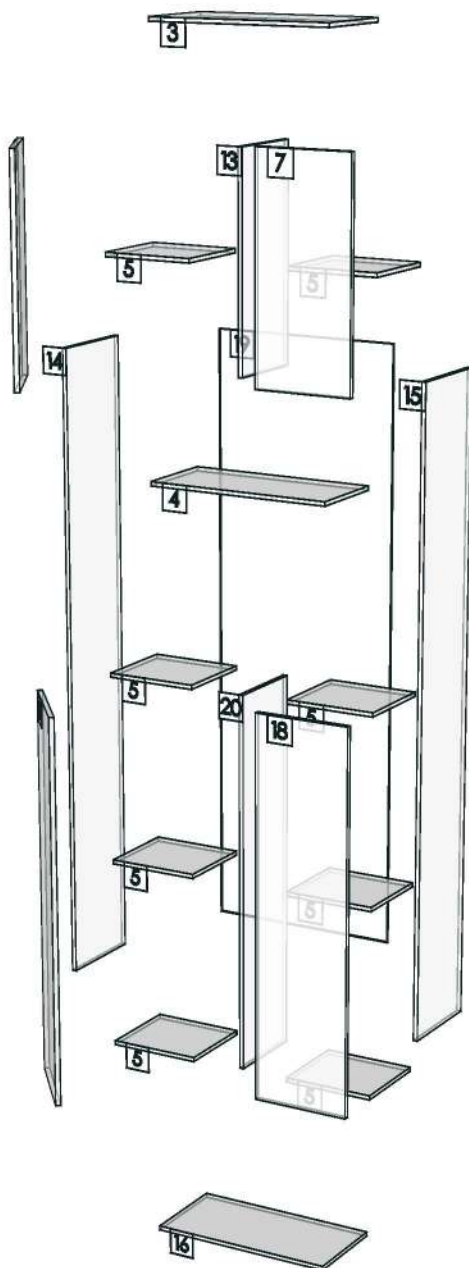
01.380=1 ML.WHITE LAVA MARBLE BT5

01.369=1 WOOD OAK (BT4)

01.47=1 WHITE



Model	-ADLER_DT75		
Creator	SUTTHI.P	Name	INDEX_C3D_KITCHENPAE
Reviewer		Order	O002108
Approves		Date	10/12/2024



Model	ADLER_DUT_1375		
Creator	SUTTHI.P	Name	INDEX_C3D_KITCHENPAE
Reviewer		Order	O002113
Approves		Date	10/12/2024

ADLER_DUT_1375-1375X60X25

Colour

05.67=ML.WHITE LAVA MARBLE#BT5 (SUPPER MATT)

05.66=ML.WOOD OAK#BT4 (MATT WOODGRIN)

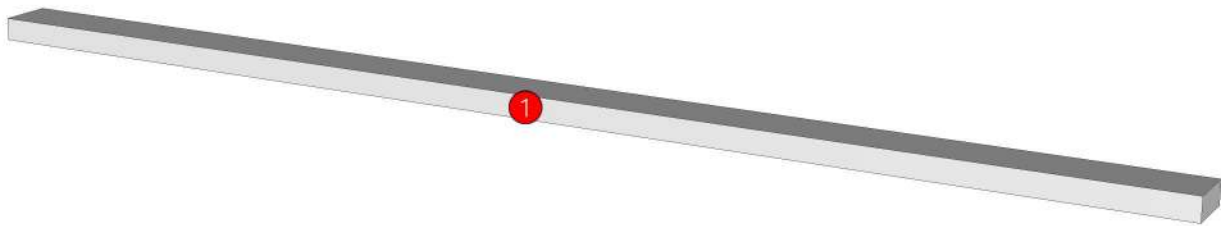
20.07=ML.WHITE #VM1012 18/18(MATT)

Edge

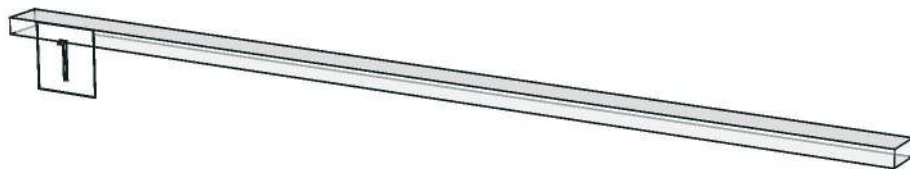
01.380=1 ML.WHITE LAVA MARBLE BT5

01.369=1 WOOD OAK (BT4)

01.47=1 WHITE



Model	-ADLER_DUT_1375		
Creator	SUTTHI.P	Name	INDEX_C3D_KITCHENPAE
Reviewer		Order	O002113
Approves		Date	10/12/2024



Model	ADLER_DUT_500		
Creator	SUTTHI.P	Name	INDEX_C3D_KITCHENPAE
Reviewer		Order	O002118
Approves		Date	11/12/2024

ADLER_DUT_500-500X60X25

Colour

05.67=ML.WHITE LAVA MARBLE#BT5 (SUPPER MATT)

05.66=ML.WOOD OAK#BT4 (MATT WOODGRIN)

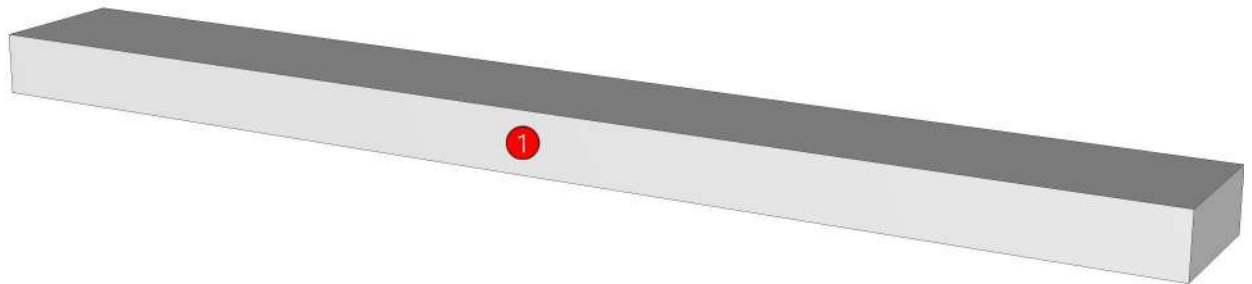
20.07=ML.WHITE #VM1012 18/18(MATT)

Edge

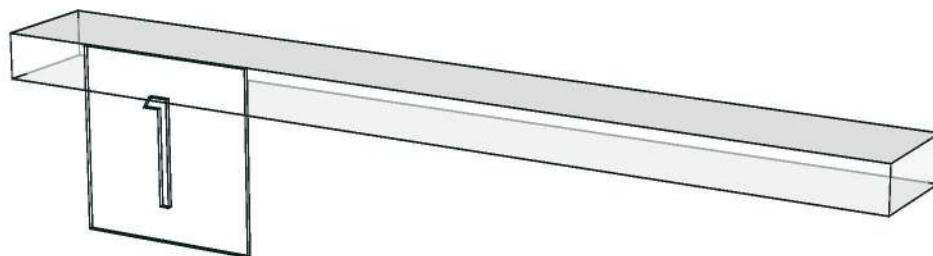
01.380=1 ML.WHITE LAVA MARBLE BT5

01.369=1 WOOD OAK (BT4)

01.47=1 WHITE



Model	-ADLER_DUT_500		
Creator	SUTTHI.P	Name	INDEX_C3D_KITCHENPAE
Reviewer		Order	O002118
Approves		Date	11/12/2024



Model	ADLER_DW105		
Creator	SUTTHI.P	Name	INDEX_C3D_KITCHENPAE
Reviewer		Order	O002098
Approves		Date	06/12/2024

ADLER_DW105-1050X300X500

Colour

05.67=ML.WHITE LAVA MARBLE#BT5 (SUPPER MATT)

05.66=ML.WOOD OAK#BT4 (MATT WOODGRIN)

20.07=ML.WHITE #VM1012 18/18(MATT)

Edge

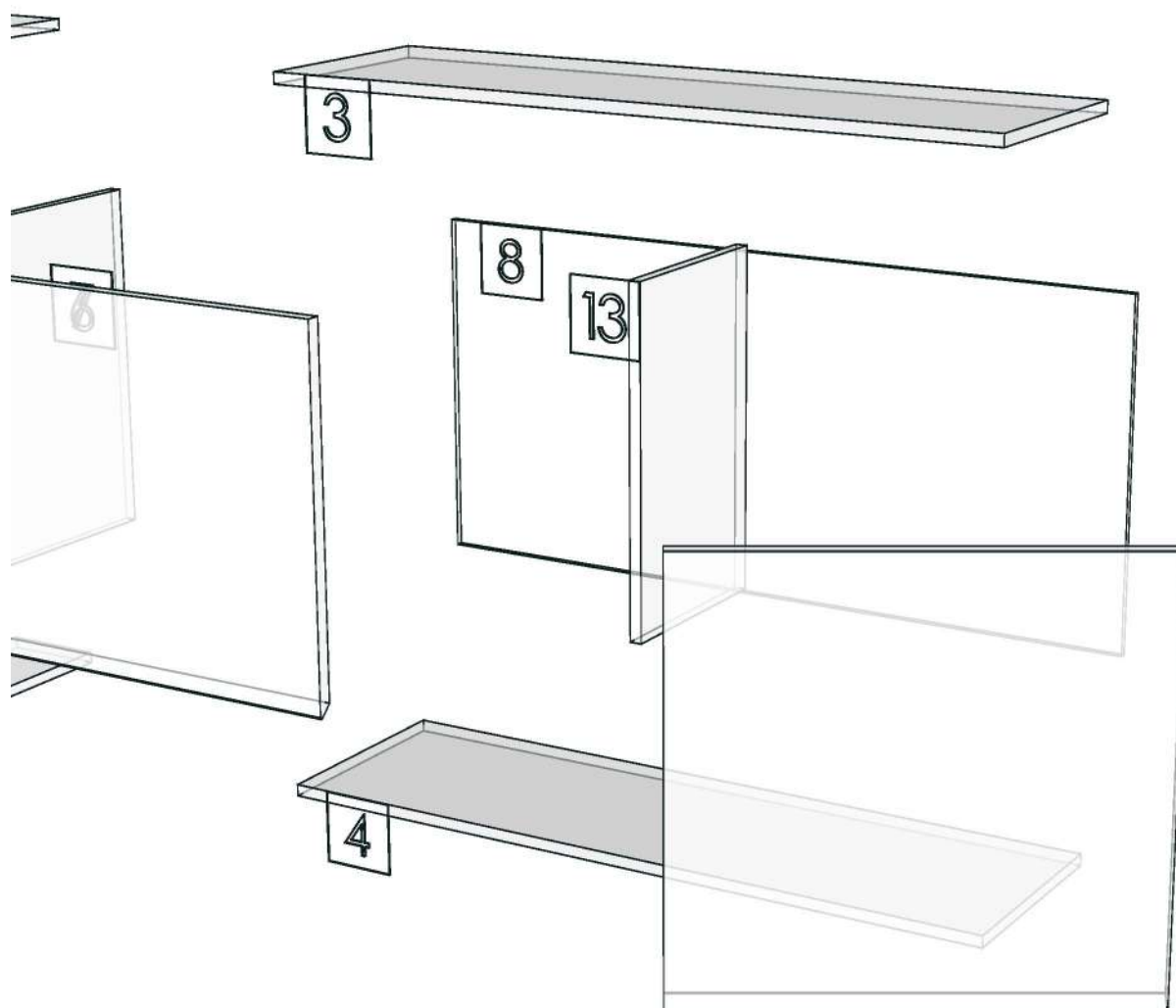
01.380=1 ML.WHITE LAVA MARBLE BT5

01.369=1 WOOD OAK (BT4)

01.47=1 WHITE



Model	-ADLER_DW105		
Creator	SUTTHI.P	Name	INDEX_C3D_KITCHENPAE
Reviewer		Order	O002098
Approves		Date	06/12/2024



Model	ADLER_LED_742L		
Creator	SUTTHI.P	Name	INDEX_C3D_KITCHENPAE
Reviewer		Order	O002104
Approves		Date	09/12/2024

ADLER_LED_742L-742X300X50

Colour

05.67=ML.WHITE LAVA MARBLE#BT5 (SUPPER MATT)

05.66=ML.WOOD OAK#BT4 (MATT WOODGRIN)

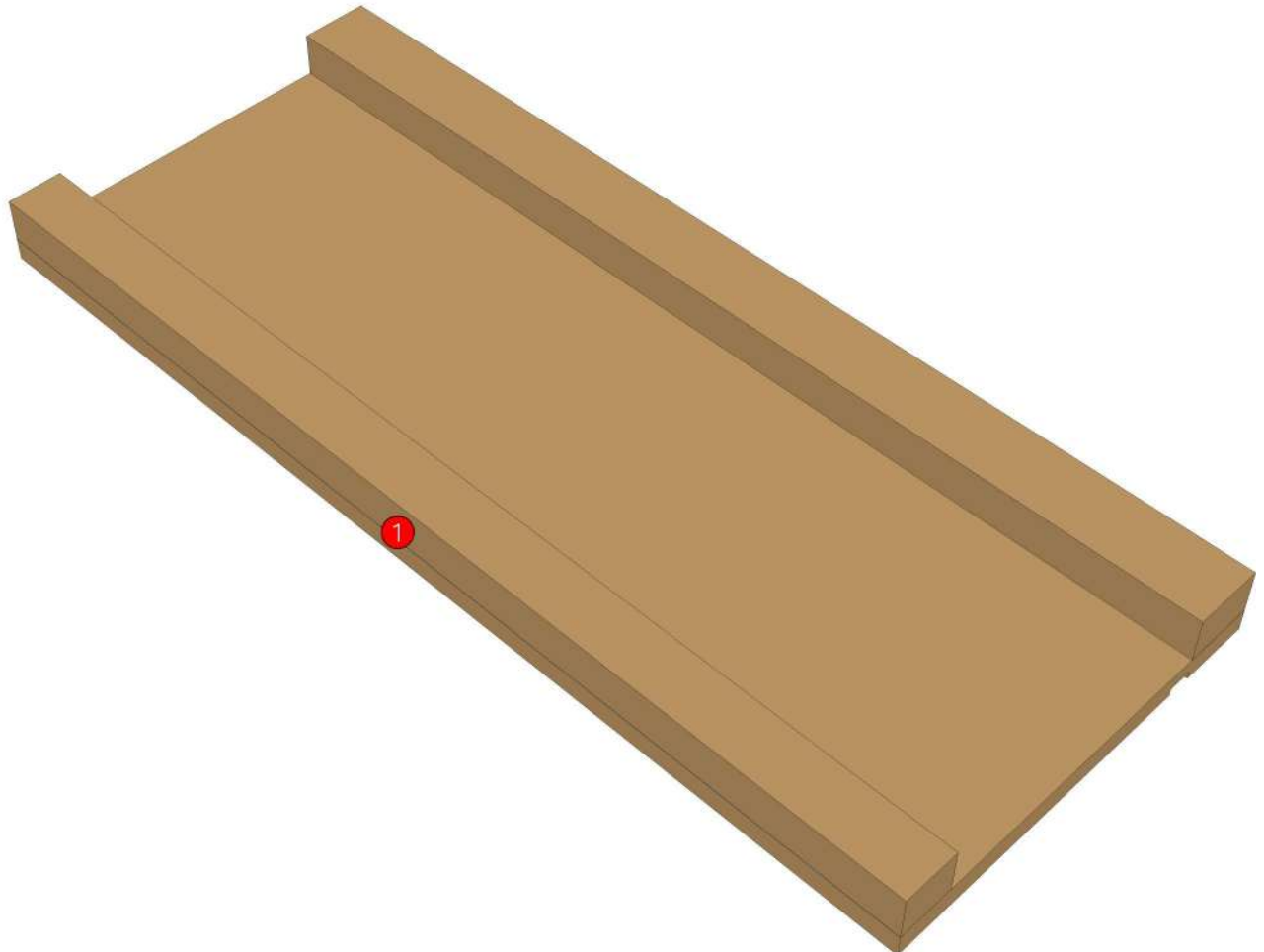
20.07=ML.WHITE #VM1012 18/18(MATT)

Edge

01.380=1 ML.WHITE LAVA MARBLE BT5

01.369=1 WOOD OAK (BT4)

01.47=1 WHITE



Model	-ADLER_LED_742L		
Creator	SUTTHI.P	Name	INDEX_C3D_KITCHENPAE
Reviewer		Order	O002104
Approves		Date	09/12/2024

