

<b>Model</b>	ADLER_DB775L		
<b>Creator</b>	SUTTHI.P	<b>Name</b>	INDEX_C3D_KITCHENPAE
<b>Reviewer</b>		<b>Order</b>	O002061
<b>Approves</b>		<b>Date</b>	04/11/2024

## **ADLER\_DB775L-775X570X760**

### **Colour**

05.67=ML.WHITE LAVA MARBLE#BT5 (SUPPER MATT)

05.66=ML.WOOD OAK#BT4 (MATT WOODGRIN)

20.07=ML.WHITE #VM1012 18/18(MATT)

### **Edge**

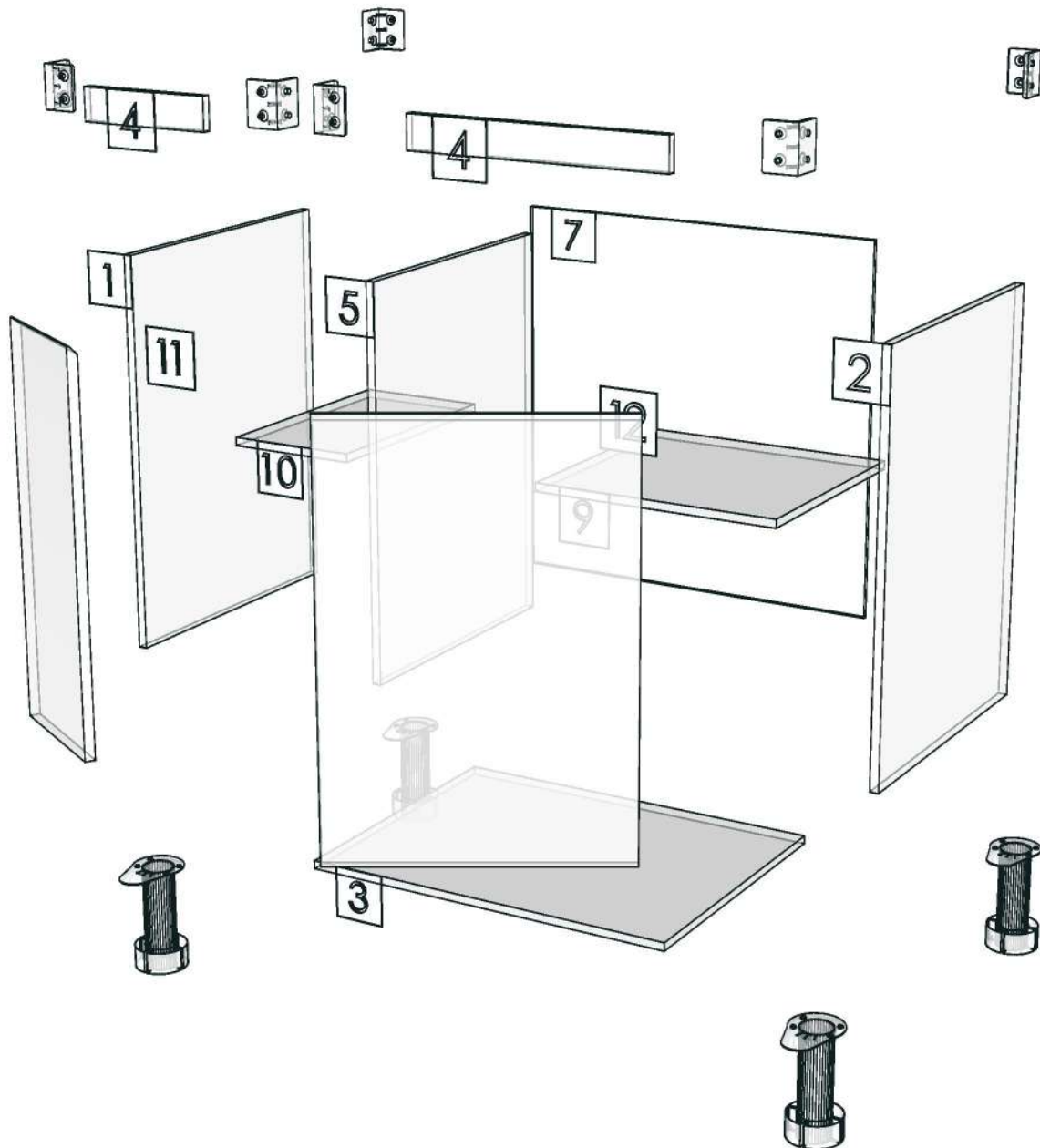
01.380=1 ML.WHITE LAVA MARBLE BT5

01.369=1 WOOD OAK (BT4)

01.47=1 WHITE



<b>Model</b>	-ADLER_DB775L	<b>Name</b>	INDEX_C3D_KITCHENPAE
<b>Creator</b>	SUTTHI.P	<b>Order</b>	O002061
<b>Reviewer</b>		<b>Date</b>	04/11/2024
<b>Approves</b>			



<b>Model</b>	ADLER_DBMV60	<b>Name</b>	INDEX_C3D_KITCHENPAE
<b>Creator</b>	SUTTHI.P	<b>Order</b>	O002064
<b>Reviewer</b>		<b>Date</b>	05/11/2024
<b>Approves</b>	<i>P. SAWA</i>		

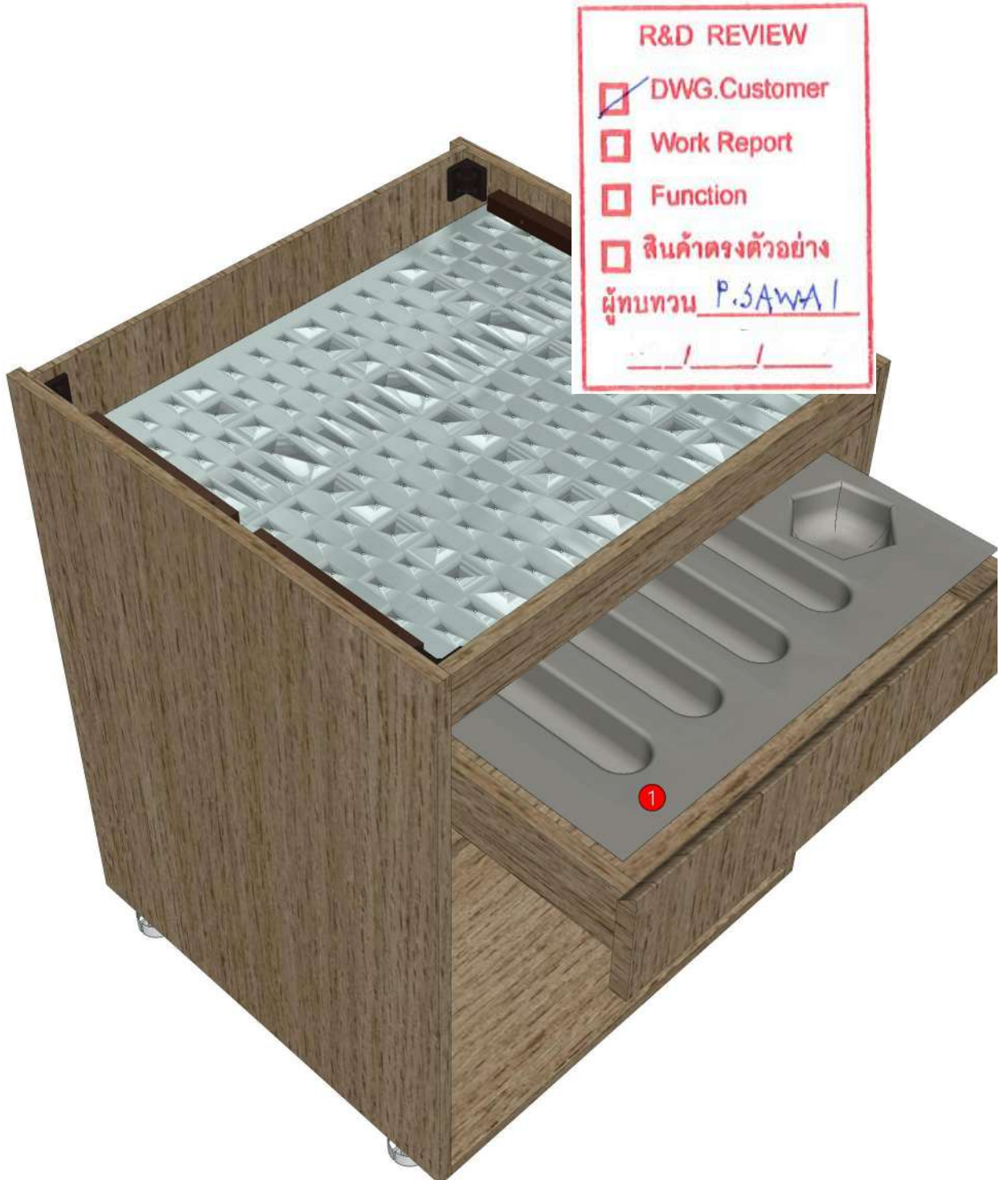
## **ADLER\_DBMV60-600X570X760**

### **Colour**

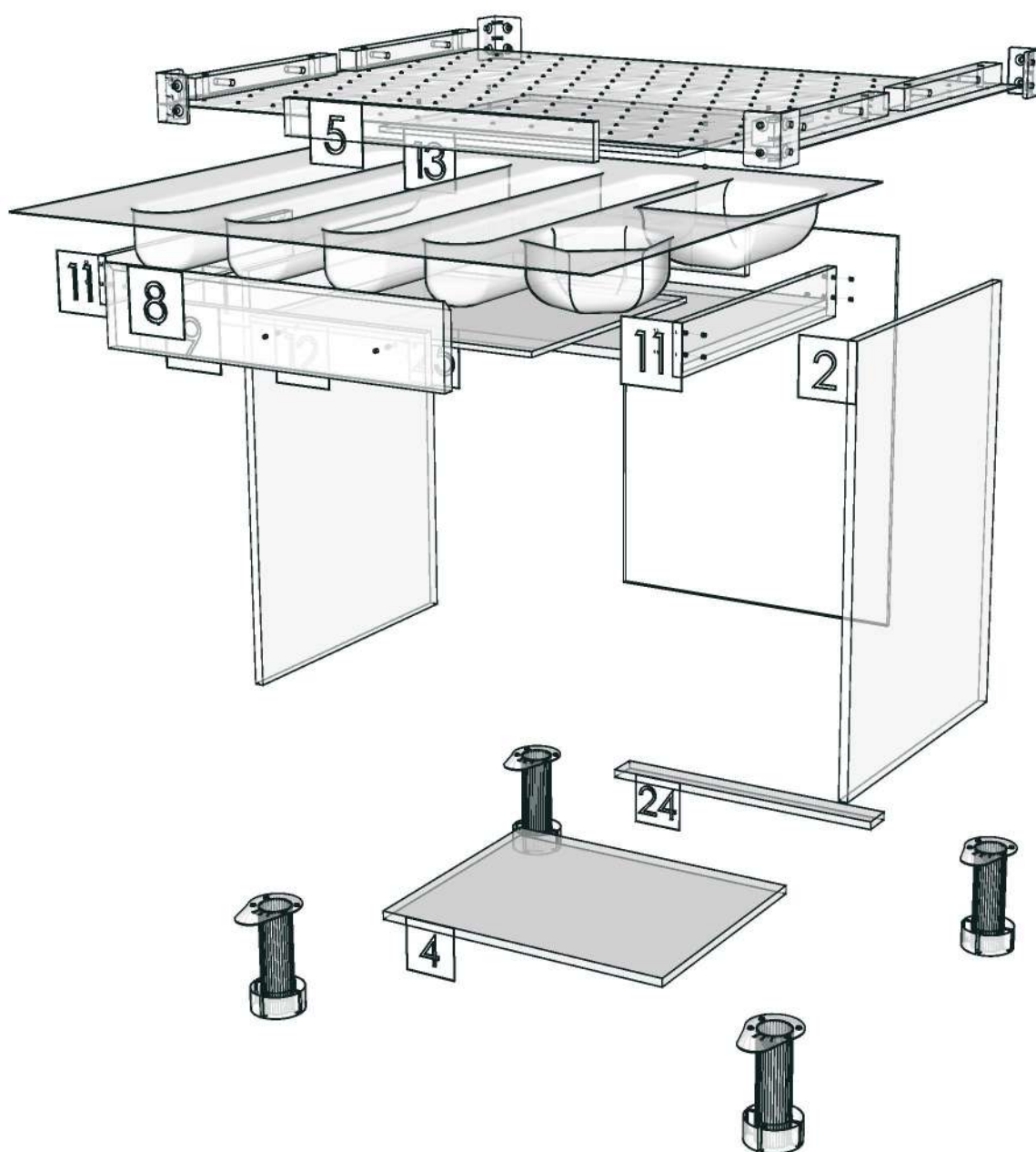
05.67=ML.WHITE LAVA MARBLE#BT5 (SUPPER MATT)  
05.66=ML.WOOD OAK#BT4 (MATT WOODGRIN)  
20.07=ML.WHITE #VM1012 18/18(MATT)

### **Edge**

01.380=1 ML.WHITE LAVA MARBLE BT5  
01.369=1 WOOD OAK (BT4)  
01.47=1 WHITE



<b>Model</b>	-ADLER_DBMV60	<b>Name</b>	INDEX_C3D_KITCHENPAE
<b>Creator</b>	SUTTHI.P	<b>Order</b>	O002064
<b>Reviewer</b>		<b>Date</b>	05/11/2024
<b>Approves</b>	<i>P. SAWA</i>		



<b>Model</b>	ADLER_DFCL_1200		
<b>Creator</b>	SUTTHI.P	<b>Name</b>	INDEX_C3D_KITCHENPAE
<b>Reviewer</b>		<b>Order</b>	O002132
<b>Approves</b>		<b>Date</b>	12/12/2024

## **ADLER\_DFCL\_1200-1200X16X150**

### **Colour**

05.67=ML.WHITE LAVA MARBLE#BT5 (SUPPER MATT)

05.66=ML.WOOD OAK#BT4 (MATT WOODGRIN)

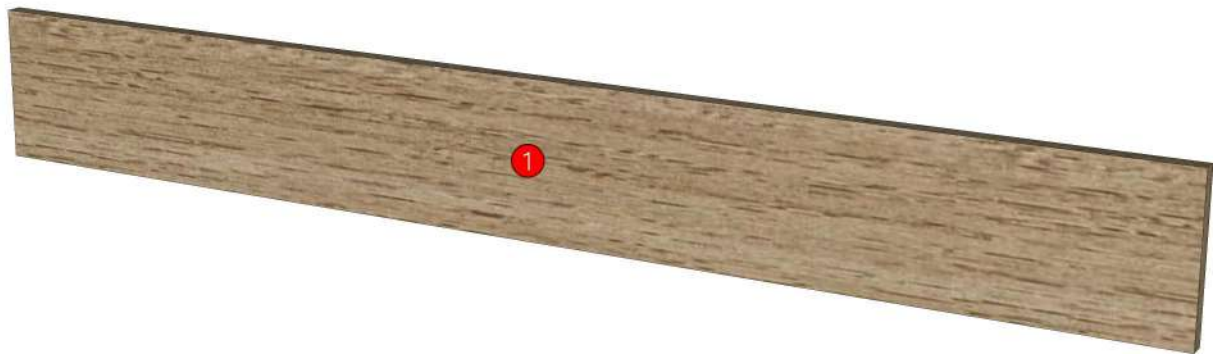
20.07=ML.WHITE #VM1012 18/18(MATT)

### **Edge**

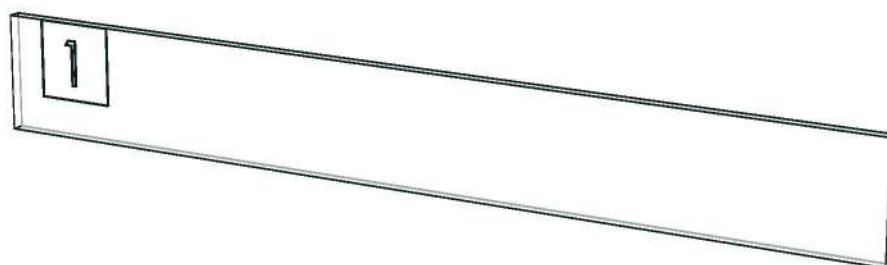
01.380=1 ML.WHITE LAVA MARBLE BT5

01.369=1 WOOD OAK (BT4)

01.47=1 WHITE



<b>Model</b>	-ADLER_DFCL_1200		
<b>Creator</b>	SUTTHI.P	<b>Name</b>	INDEX_C3D_KITCHENPAE
<b>Reviewer</b>		<b>Order</b>	0002132
<b>Approves</b>		<b>Date</b>	12/12/2024



<b>Model</b>	ADLER_DL60HL		
<b>Creator</b>	SUTTHI.P	<b>Name</b>	INDEX_C3D_KITCHENPAE
<b>Reviewer</b>		<b>Order</b>	O002106
<b>Approves</b>		<b>Date</b>	09/12/2024

## **ADLER\_DL60HL-600X300X785**

### **Colour**

05.67=ML.WHITE LAVA MARBLE#BT5 (SUPPER MATT)

05.66=ML.WOOD OAK#BT4 (MATT WOODGRIN)

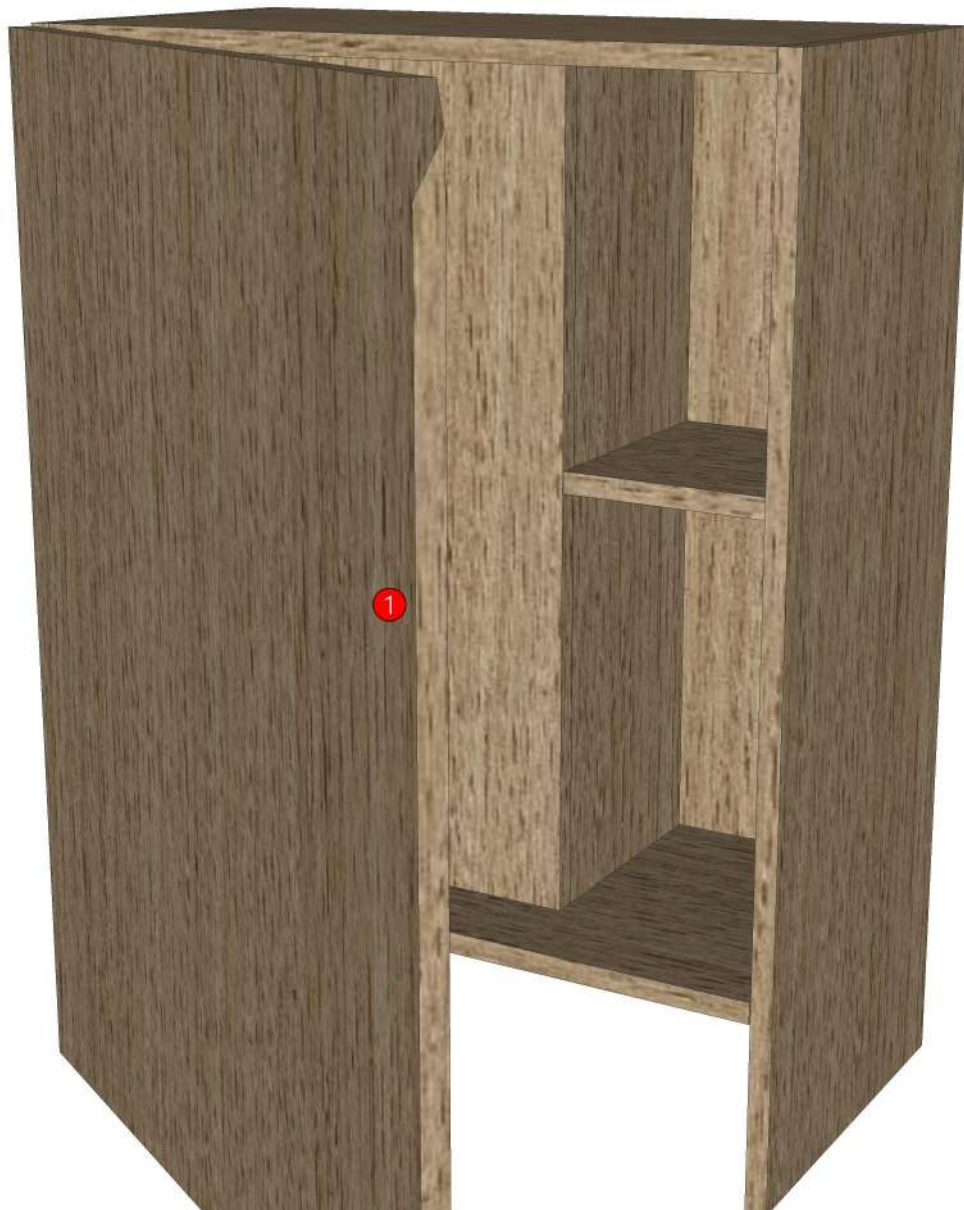
20.07=ML.WHITE #VM1012 18/18(MATT)

### **Edge**

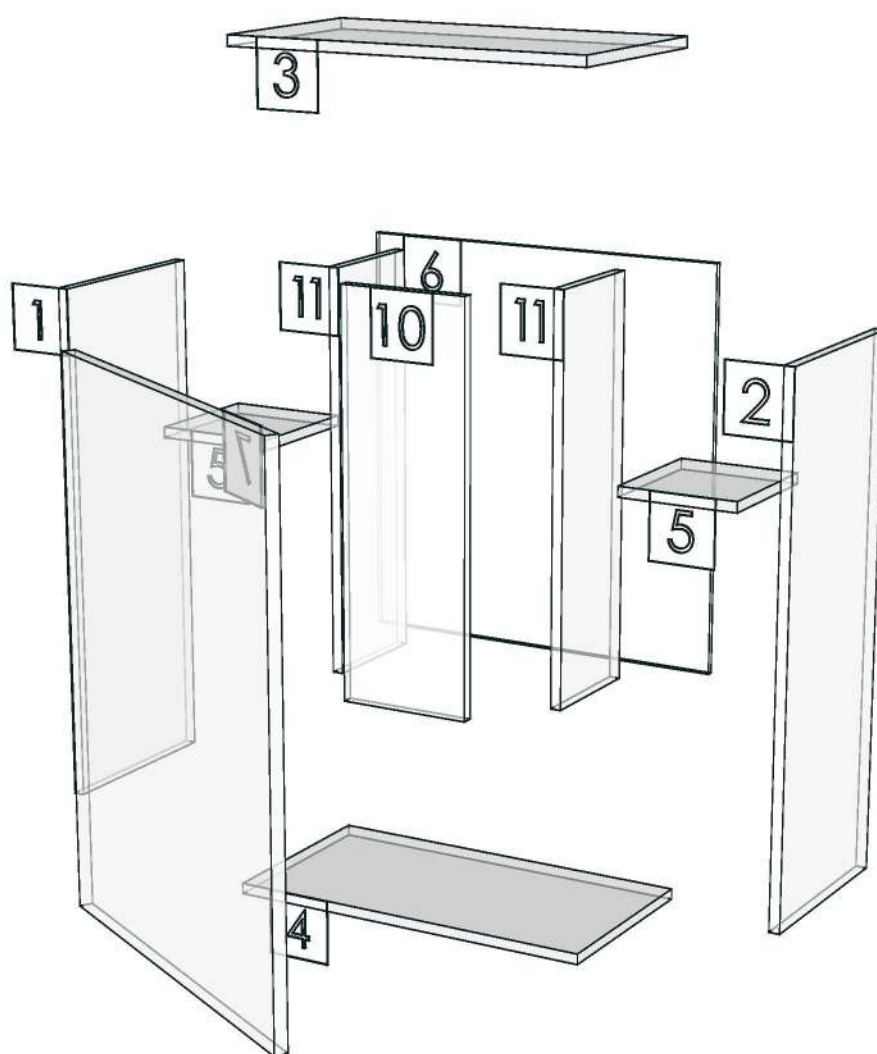
01.380=1 ML.WHITE LAVA MARBLE BT5

01.369=1 WOOD OAK (BT4)

01.47=1 WHITE



<b>Model</b>	-ADLER_DL60HL		
<b>Creator</b>	SUTTHI.P	<b>Name</b>	INDEX_C3D_KITCHENPAE
<b>Reviewer</b>		<b>Order</b>	O002106
<b>Approves</b>		<b>Date</b>	09/12/2024



<b>Model</b>	ADLER_DL775LS	<b>Name</b>	INDEX_C3D_KITCHENPAE
<b>Creator</b>	SUTTHI.P	<b>Order</b>	O002092
<b>Reviewer</b>		<b>Date</b>	06/12/2024
<b>Approves</b>			

## **ADLER\_DL775LS-775X300X830**

### **Colour**

05.67=ML.WHITE LAVA MARBLE#BT5 (SUPPER MATT)

05.66=ML.WOOD OAK#BT4 (MATT WOODGRIN)

20.07=ML.WHITE #VM1012 18/18(MATT)

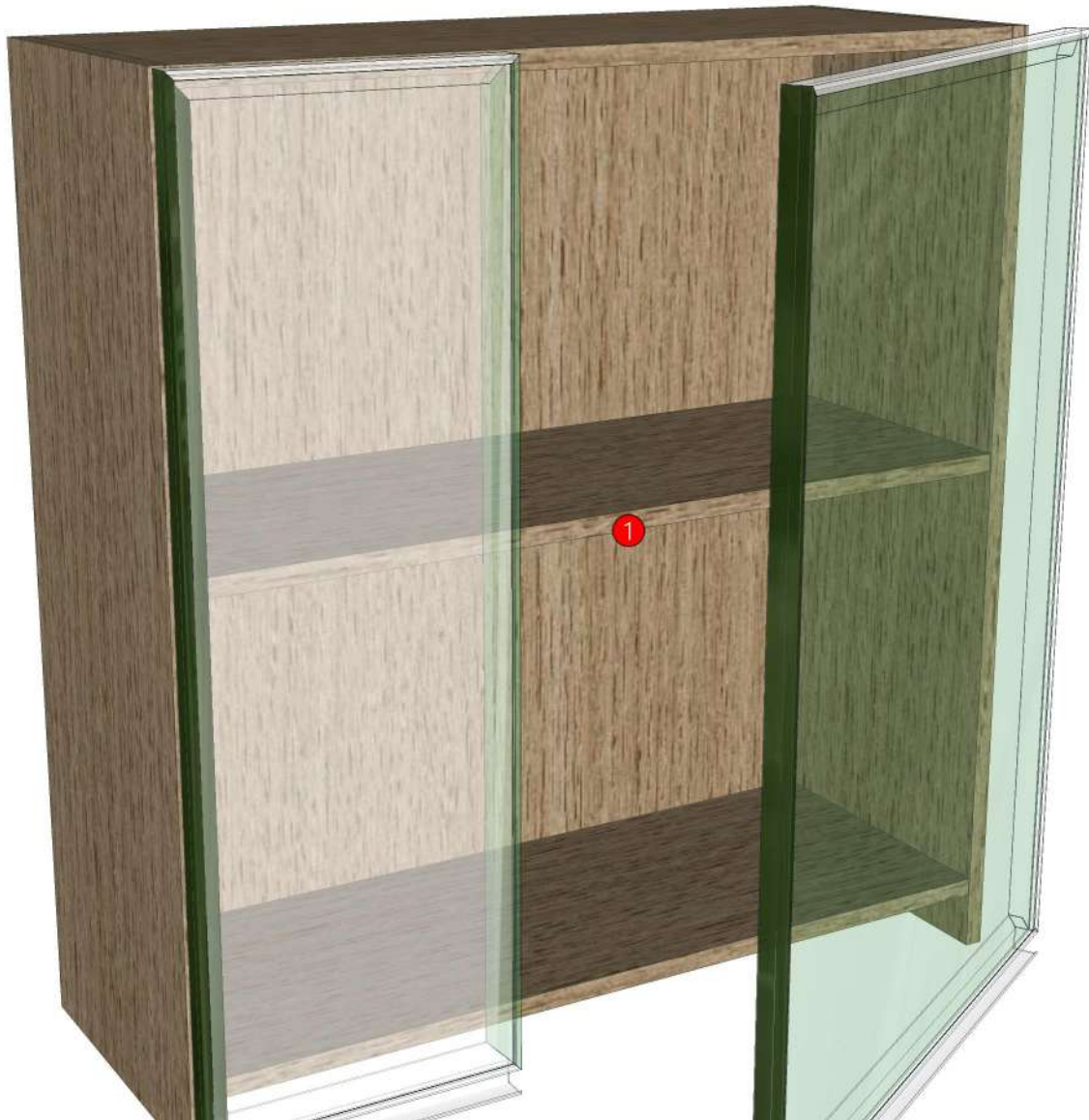
### **Edge**

01.380=1 ML.WHITE LAVA MARBLE BT5

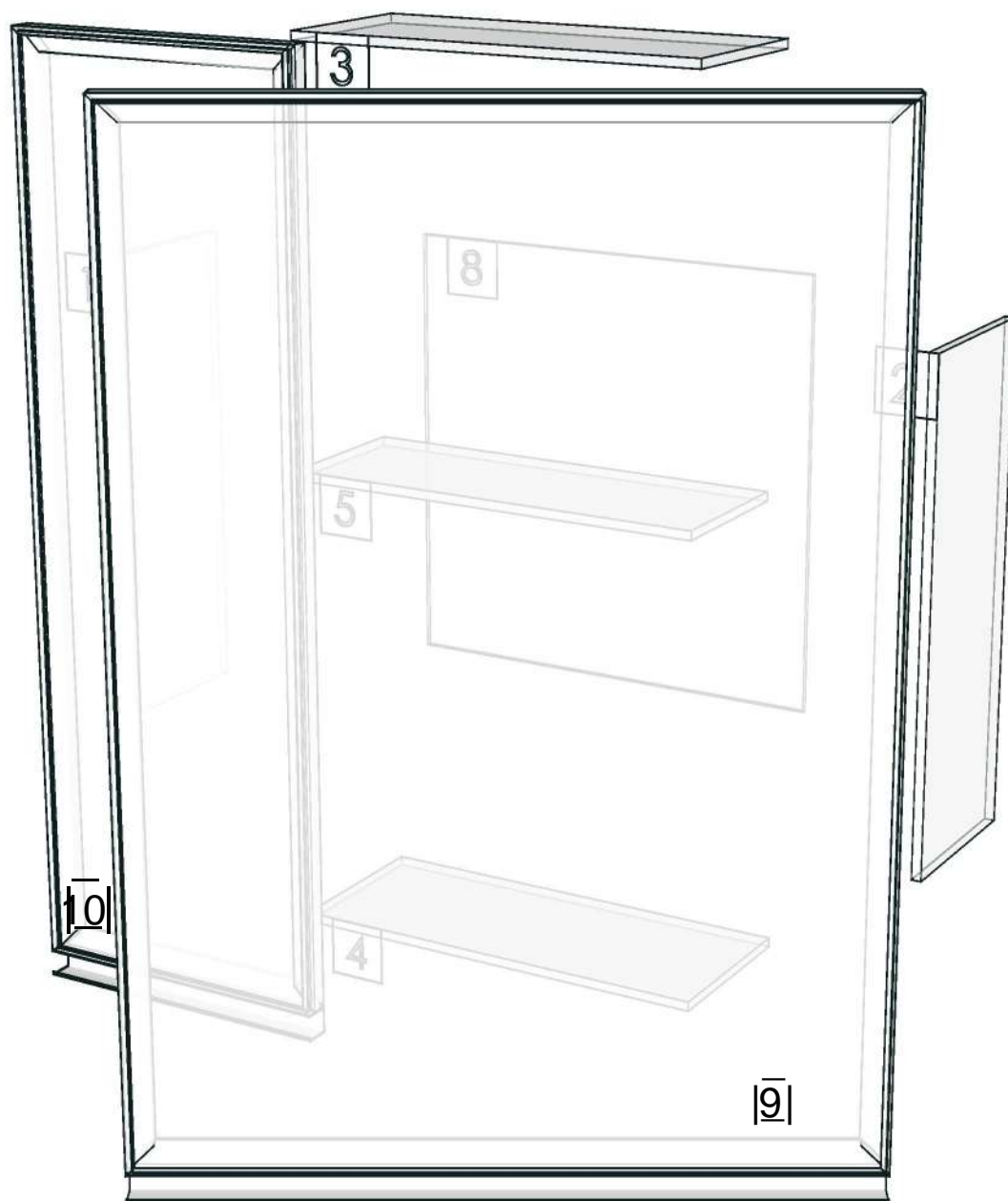
01.369=1 WOOD OAK (BT4)

01.47=1 WHITE

**K 100L 160149947**



<b>Model</b>	-ADLER_DL775LS		
<b>Creator</b>	SUTTHI.P	<b>Name</b>	INDEX_C3D_KITCHENPAE
<b>Reviewer</b>		<b>Order</b>	O002092
<b>Approves</b>		<b>Date</b>	06/12/2024



<b>Model</b>	ADLER_DPLT_600		
<b>Creator</b>	SUTTHI.P	<b>Name</b>	INDEX_C3D_KITCHENPAE
<b>Reviewer</b>		<b>Order</b>	O002126
<b>Approves</b>		<b>Date</b>	12/12/2024

## **ADLER\_DPLT\_600-600X9X100**

### **Colour**

05.67=ML.WHITE LAVA MARBLE#BT5 (SUPPER MATT)

05.66=ML.WOOD OAK#BT4 (MATT WOODGRIN)

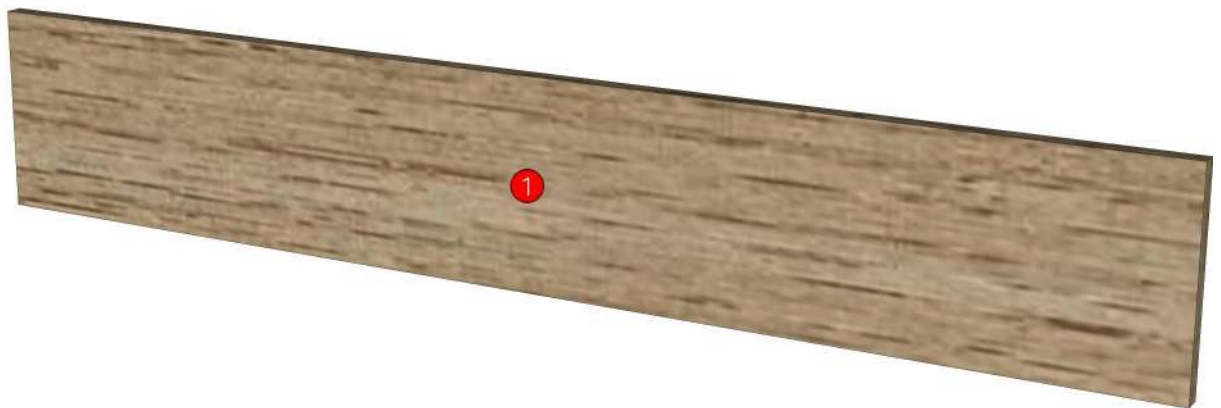
20.07=ML.WHITE #VM1012 18/18(MATT)

### **Edge**

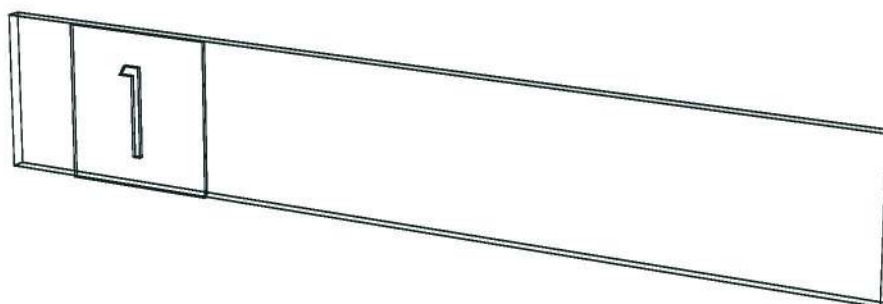
01.380=1 ML.WHITE LAVA MARBLE BT5

01.369=1 WOOD OAK (BT4)

01.47=1 WHITE



<b>Model</b>	-ADLER_DPLT_600		
<b>Creator</b>	SUTTHI.P	<b>Name</b>	INDEX_C3D_KITCHENPAE
<b>Reviewer</b>		<b>Order</b>	0002126
<b>Approves</b>		<b>Date</b>	12/12/2024



<b>Model</b>	ADLER_DPLT_717		
<b>Creator</b>	SUTTHI.P	<b>Name</b>	INDEX_C3D_KITCHENPAE
<b>Reviewer</b>		<b>Order</b>	O002127
<b>Approves</b>		<b>Date</b>	12/12/2024

## **ADLER\_DPLT\_717-717X9X100**

### **Colour**

05.67=ML.WHITE LAVA MARBLE#BT5 (SUPPER MATT)

05.66=ML.WOOD OAK#BT4 (MATT WOODGRIN)

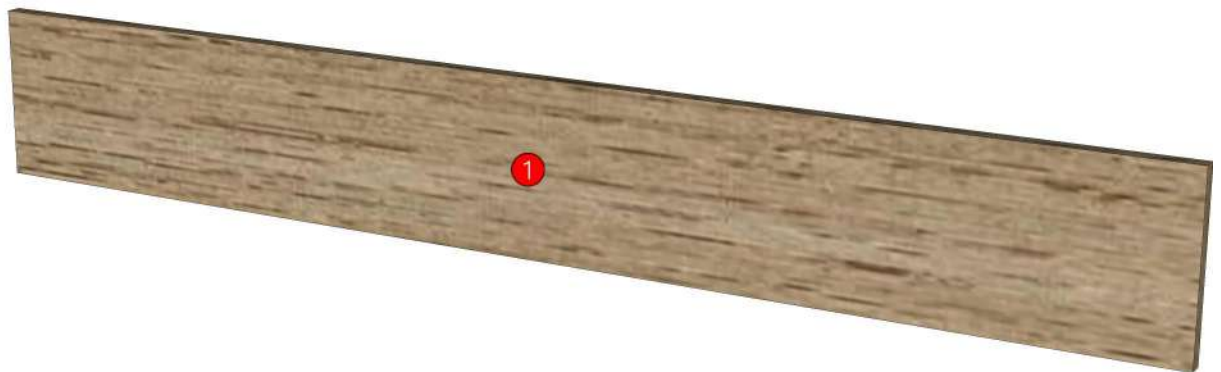
20.07=ML.WHITE #VM1012 18/18(MATT)

### **Edge**

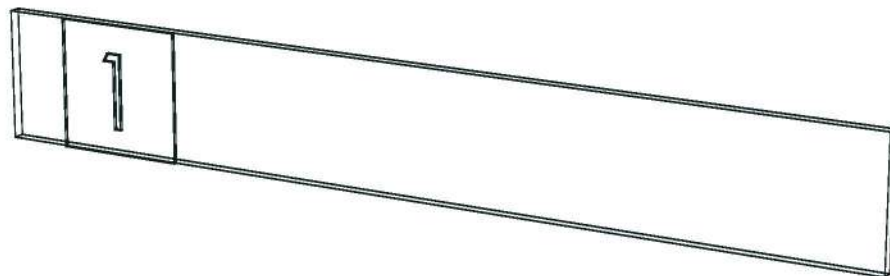
01.380=1 ML.WHITE LAVA MARBLE BT5

01.369=1 WOOD OAK (BT4)

01.47=1 WHITE



<b>Model</b>	-ADLER_DPLT_717		
<b>Creator</b>	SUTTHI.P	<b>Name</b>	INDEX_C3D_KITCHENPAE
<b>Reviewer</b>		<b>Order</b>	0002127
<b>Approves</b>		<b>Date</b>	12/12/2024



<b>Model</b>	ADLER_DT75		
<b>Creator</b>	SUTTHI.P	<b>Name</b>	INDEX_C3D_KITCHENPAE
<b>Reviewer</b>		<b>Order</b>	O002108
<b>Approves</b>		<b>Date</b>	10/12/2024

## **ADLER\_DT75-750X350X2400**

### **Colour**

05.67=ML.WHITE LAVA MARBLE#BT5 (SUPPER MATT)

05.66=ML.WOOD OAK#BT4 (MATT WOODGRIN)

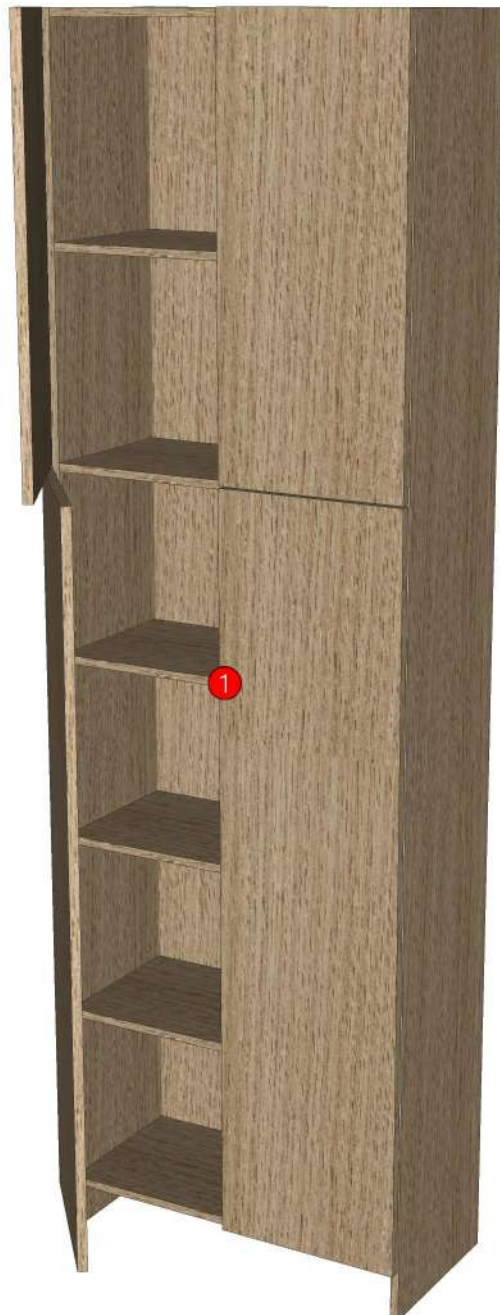
20.07=ML.WHITE #VM1012 18/18(MATT)

### **Edge**

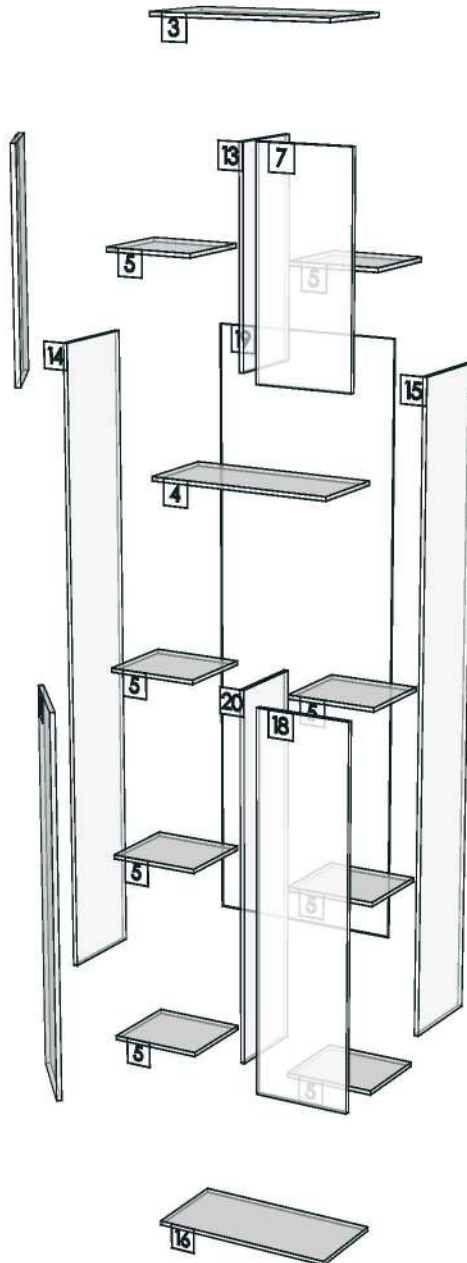
01.380=1 ML.WHITE LAVA MARBLE BT5

01.369=1 WOOD OAK (BT4)

01.47=1 WHITE



<b>Model</b>	-ADLER_DT75		
<b>Creator</b>	SUTTHI.P	<b>Name</b>	INDEX_C3D_KITCHENPAE
<b>Reviewer</b>		<b>Order</b>	O002108
<b>Approves</b>		<b>Date</b>	10/12/2024



<b>Model</b>	ADLER_DUT_1375		
<b>Creator</b>	SUTTHI.P	<b>Name</b>	INDEX_C3D_KITCHENPAE
<b>Reviewer</b>		<b>Order</b>	O002113
<b>Approves</b>		<b>Date</b>	10/12/2024

## **ADLER\_DUT\_1375-1375X60X25**

### **Colour**

05.67=ML.WHITE LAVA MARBLE#BT5 (SUPPER MATT)

05.66=ML.WOOD OAK#BT4 (MATT WOODGRIN)

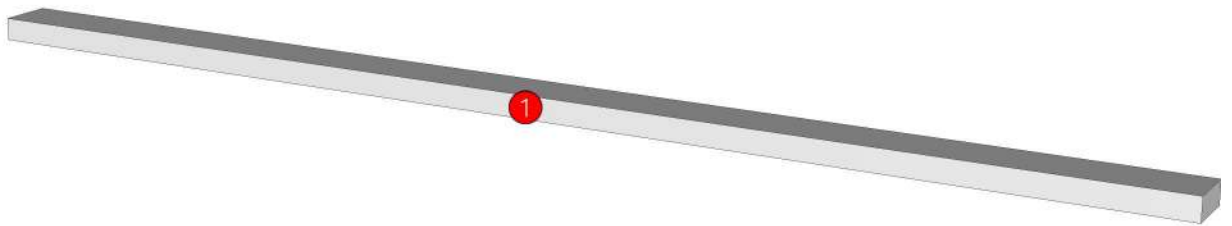
20.07=ML.WHITE #VM1012 18/18(MATT)

### **Edge**

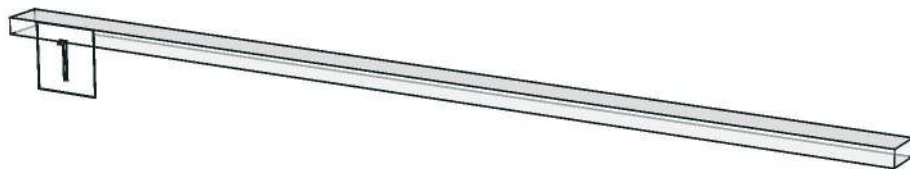
01.380=1 ML.WHITE LAVA MARBLE BT5

01.369=1 WOOD OAK (BT4)

01.47=1 WHITE



<b>Model</b>	-ADLER_DUT_1375		
<b>Creator</b>	SUTTHI.P	<b>Name</b>	INDEX_C3D_KITCHENPAE
<b>Reviewer</b>		<b>Order</b>	O002113
<b>Approves</b>		<b>Date</b>	10/12/2024



<b>Model</b>	ADLER_DUT_500		
<b>Creator</b>	SUTTHI.P	<b>Name</b>	INDEX_C3D_KITCHENPAE
<b>Reviewer</b>		<b>Order</b>	O002118
<b>Approves</b>		<b>Date</b>	11/12/2024

## **ADLER\_DUT\_500-500X60X25**

### **Colour**

05.67=ML.WHITE LAVA MARBLE#BT5 (SUPPER MATT)

05.66=ML.WOOD OAK#BT4 (MATT WOODGRIN)

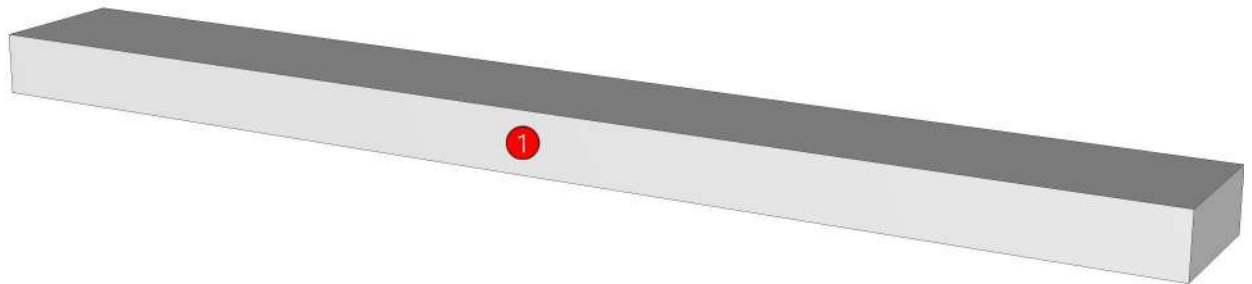
20.07=ML.WHITE #VM1012 18/18(MATT)

### **Edge**

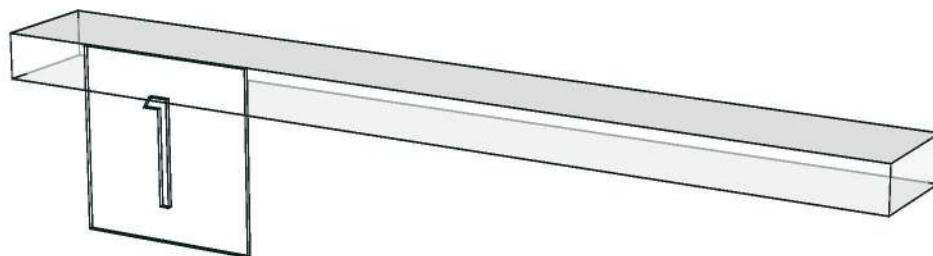
01.380=1 ML.WHITE LAVA MARBLE BT5

01.369=1 WOOD OAK (BT4)

01.47=1 WHITE



<b>Model</b>	-ADLER_DUT_500		
<b>Creator</b>	SUTTHI.P	<b>Name</b>	INDEX_C3D_KITCHENPAE
<b>Reviewer</b>		<b>Order</b>	O002118
<b>Approves</b>		<b>Date</b>	11/12/2024



<b>Model</b>	ADLER_DW105		
<b>Creator</b>	SUTTHI.P	<b>Name</b>	INDEX_C3D_KITCHENPAE
<b>Reviewer</b>		<b>Order</b>	O002098
<b>Approves</b>		<b>Date</b>	06/12/2024

## **ADLER\_DW105-1050X300X500**

### **Colour**

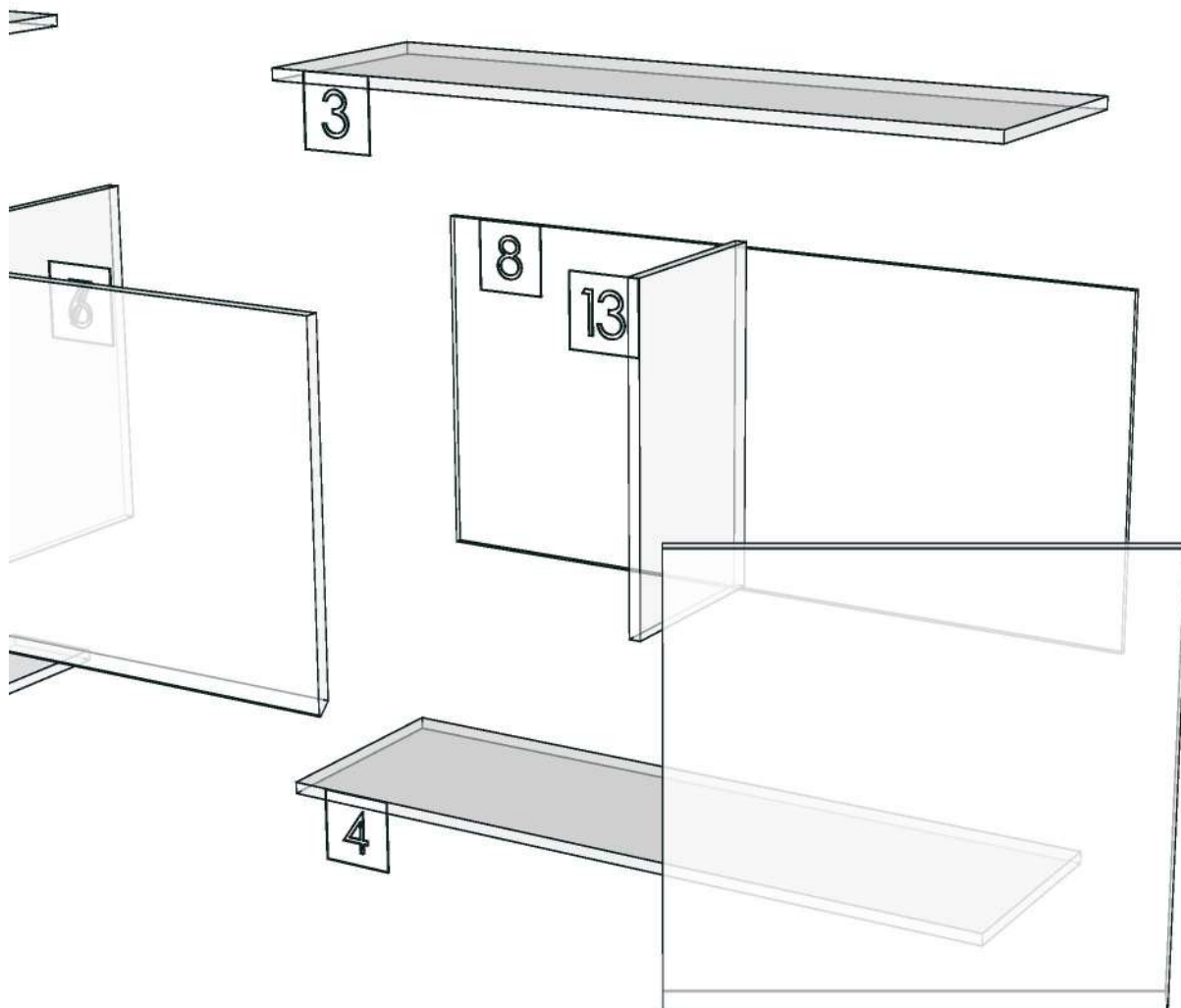
05.67=ML.WHITE LAVA MARBLE#BT5 (SUPPER MATT)  
05.66=ML.WOOD OAK#BT4 (MATT WOODGRIN)  
20.07=ML.WHITE #VM1012 18/18(MATT)

### **Edge**

01.380=1 ML.WHITE LAVA MARBLE BT5  
01.369=1 WOOD OAK (BT4)  
01.47=1 WHITE



<b>Model</b>	-ADLER_DW105		
<b>Creator</b>	SUTTHI.P	<b>Name</b>	INDEX_C3D_KITCHENPAE
<b>Reviewer</b>		<b>Order</b>	O002098
<b>Approves</b>		<b>Date</b>	06/12/2024



<b>Model</b>	ADLER_LED_742L		
<b>Creator</b>	SUTTHI.P	<b>Name</b>	INDEX_C3D_KITCHENPAE
<b>Reviewer</b>		<b>Order</b>	O002104
<b>Approves</b>		<b>Date</b>	09/12/2024

## **ADLER\_LED\_742L-742X300X50**

### **Colour**

05.67=ML.WHITE LAVA MARBLE#BT5 (SUPPER MATT)

05.66=ML.WOOD OAK#BT4 (MATT WOODGRIN)

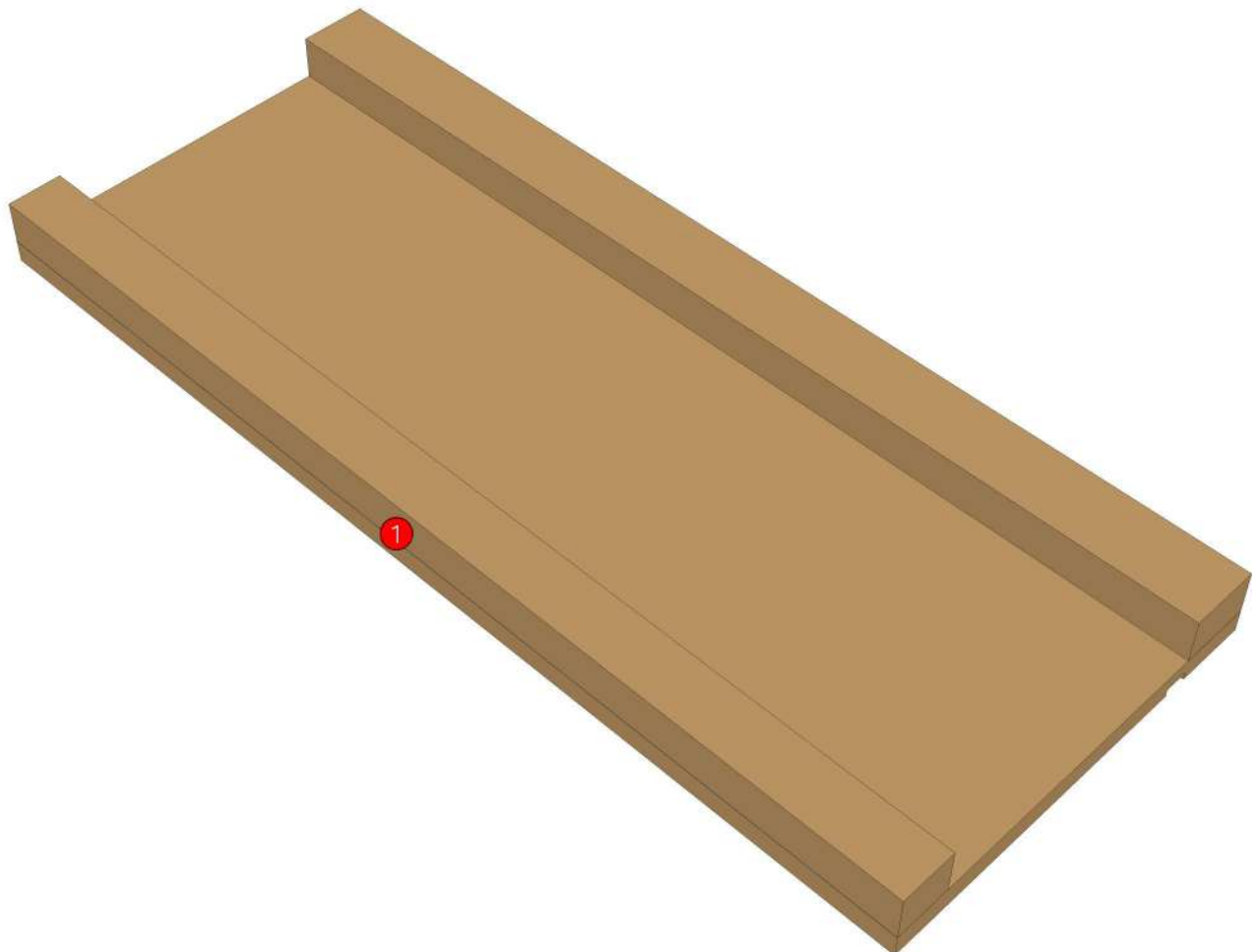
20.07=ML.WHITE #VM1012 18/18(MATT)

### **Edge**

01.380=1 ML.WHITE LAVA MARBLE BT5

01.369=1 WOOD OAK (BT4)

01.47=1 WHITE



<b>Model</b>	-ADLER_LED_742L		
<b>Creator</b>	SUTTHI.P	<b>Name</b>	INDEX_C3D_KITCHENPAE
<b>Reviewer</b>		<b>Order</b>	O002104
<b>Approves</b>		<b>Date</b>	09/12/2024

