

| | | | |
|-----------------|--------------|--------------|----------------------|
| Model | VEHHA_DBS55L | | |
| Creator | SUTTHI.P | Name | INDEX_C3D_KITCHENPAE |
| Reviewer | | Order | O001982 |
| Approves | | Date | 02/10/2024 |

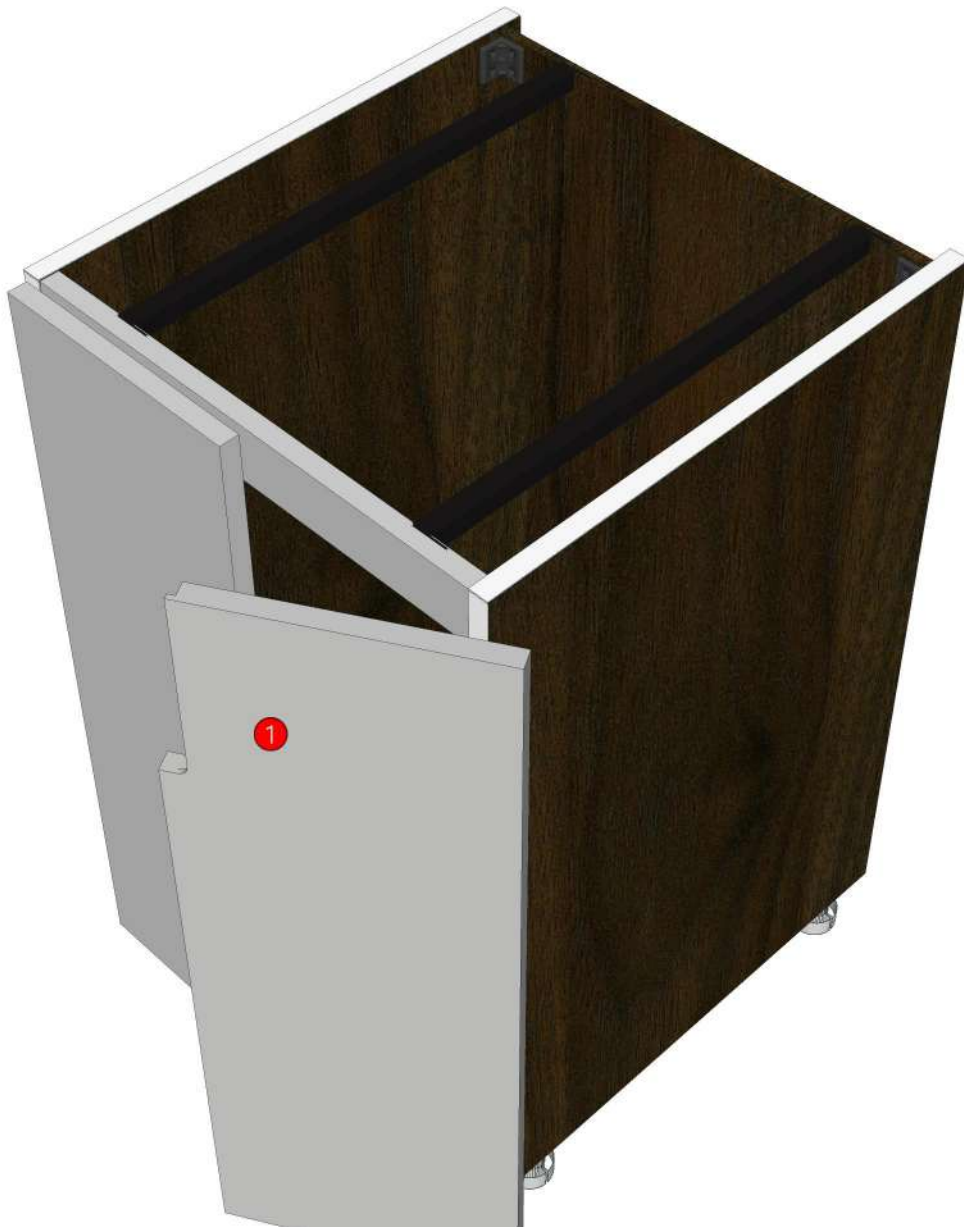
VEHHA_DBS55L-550X570X930

Colour

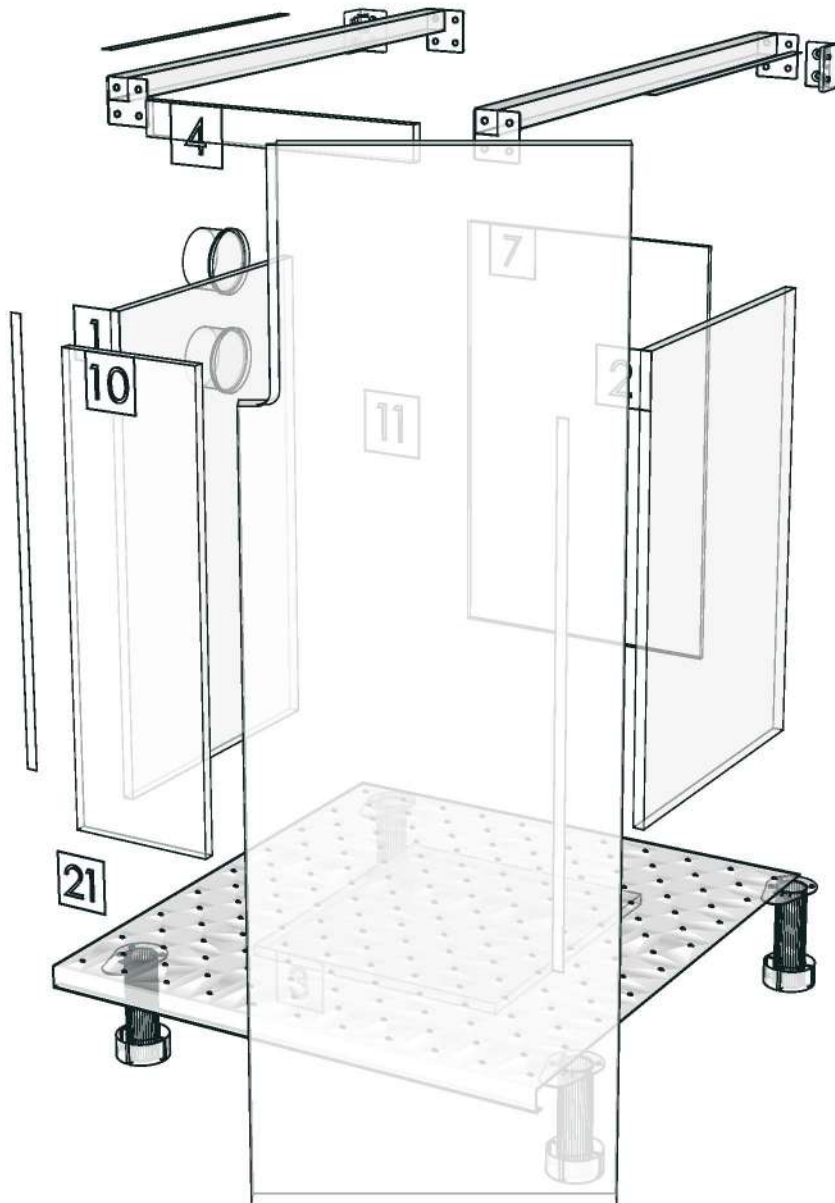
04.751=LAMINATE HPL # EWW9970YS (WET PROTECT)
04.752=LAMINATE WILMIKA HPL # 2905-86 (WET PROTECT)
04.753=LAMINATE HPL # EWW9970YS / HPL # 2905-86 (WET PROT

Edge

01.440=1 EWW9970NT (MW40-A1746TH00)
01.196=1 ML.LIGHT GREY(VM 1031.MD203)P6-001332M1



| | | | |
|-----------------|---------------|--------------|----------------------|
| Model | -VEHHA_DBS55L | | |
| Creator | SUTTHI.P | Name | INDEX_C3D_KITCHENPAE |
| Reviewer | | Order | O001982 |
| Approves | | Date | 02/10/2024 |



| | | | |
|-----------------|--------------|--------------|----------------------|
| Model | VEHHA_DBO70L | | |
| Creator | SUTTHI.P | Name | INDEX_C3D_KITCHENPAE |
| Reviewer | | Order | O001878 |
| Approves | | Date | 06/09/2024 |

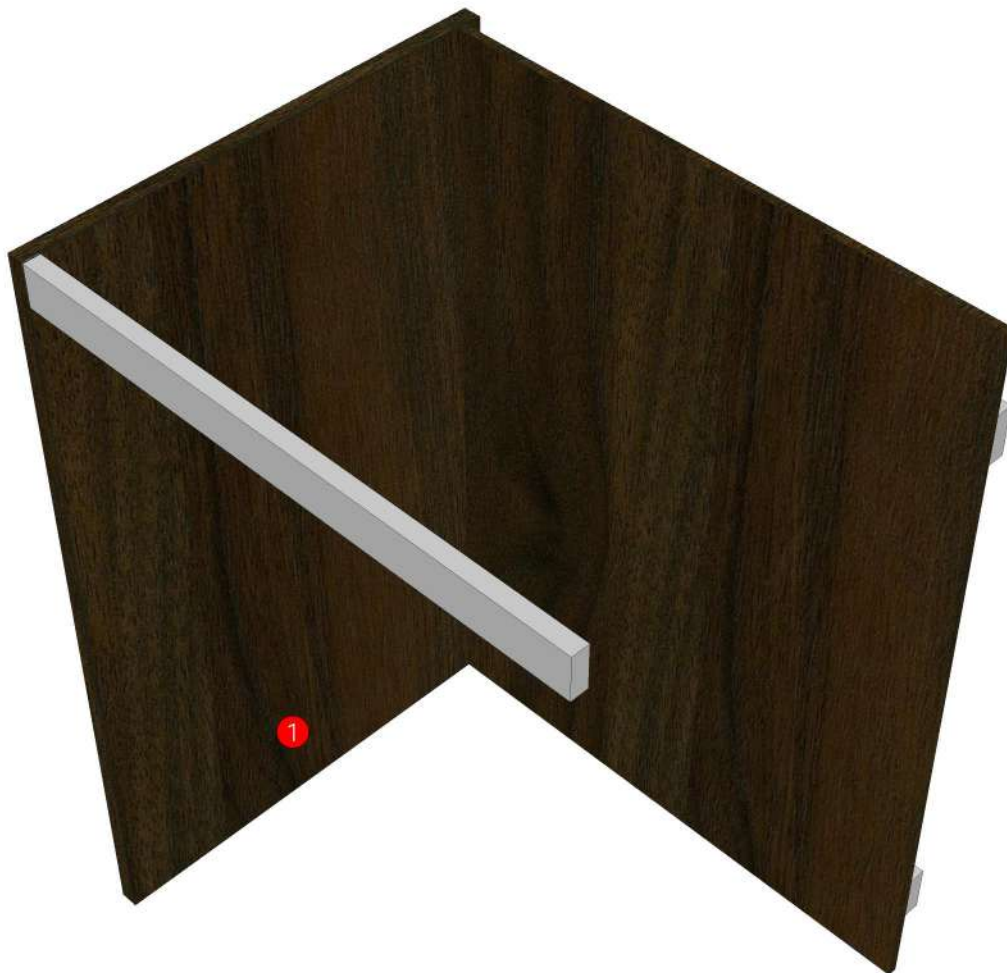
VEHHA_DBO70L-700X570X930

Colour

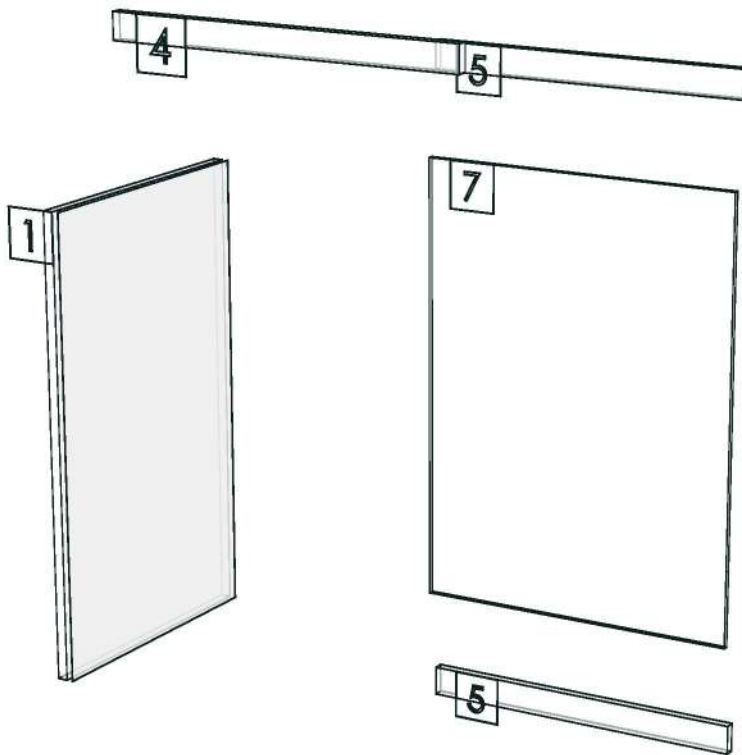
04.751=LAMINATE HPL # EWW9970YS (WET PROTECT)
04.752=LAMINATE WILMIKA HPL # 2905-86 (WET PROTECT)
04.753=LAMINATE HPL # EWW9970YS / HPL # 2905-86 (WET PROT

Edge

01.440=1 EWW9970NT (MW40-A1746TH00)
01.196=1 ML.LIGHT GREY(VM 1031.MD203)P6-001332M1



| | | | |
|-----------------|---------------|--------------|----------------------|
| Model | -VEHHA_DBO70L | | |
| Creator | SUTTHI.P | Name | INDEX_C3D_KITCHENPAE |
| Reviewer | | Order | O001878 |
| Approves | | Date | 06/09/2024 |



| | | | |
|-----------------|---------------|--------------|----------------------|
| Model | VEHHA_DL65K2R | Name | INDEX_C3D_KITCHENPAE |
| Creator | SUTTHI.P | Order | O001985 |
| Reviewer | | Date | 02/10/2024 |
| Approves | | | |

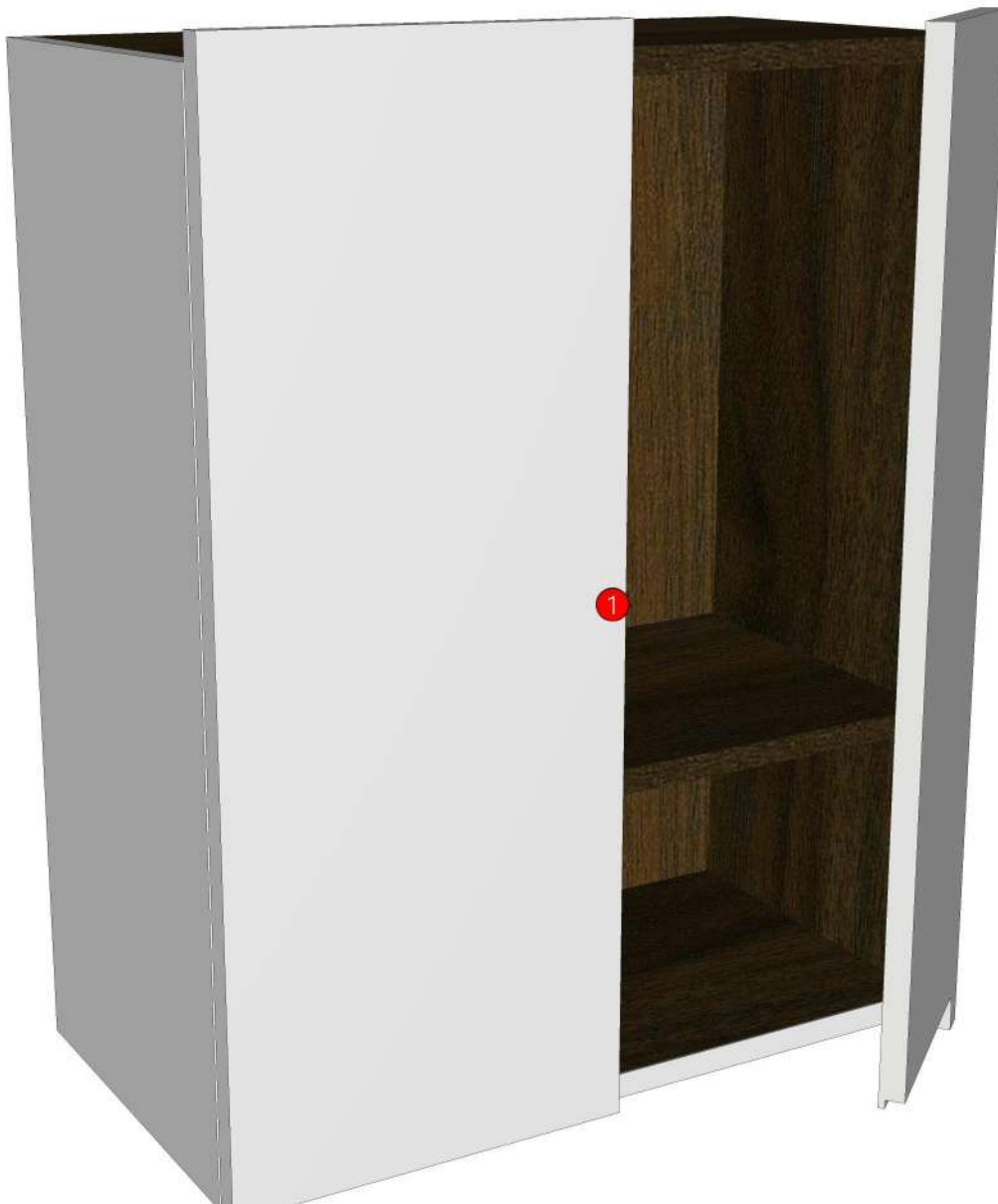
VEHHA_DL65K2R-650X330X800

Colour

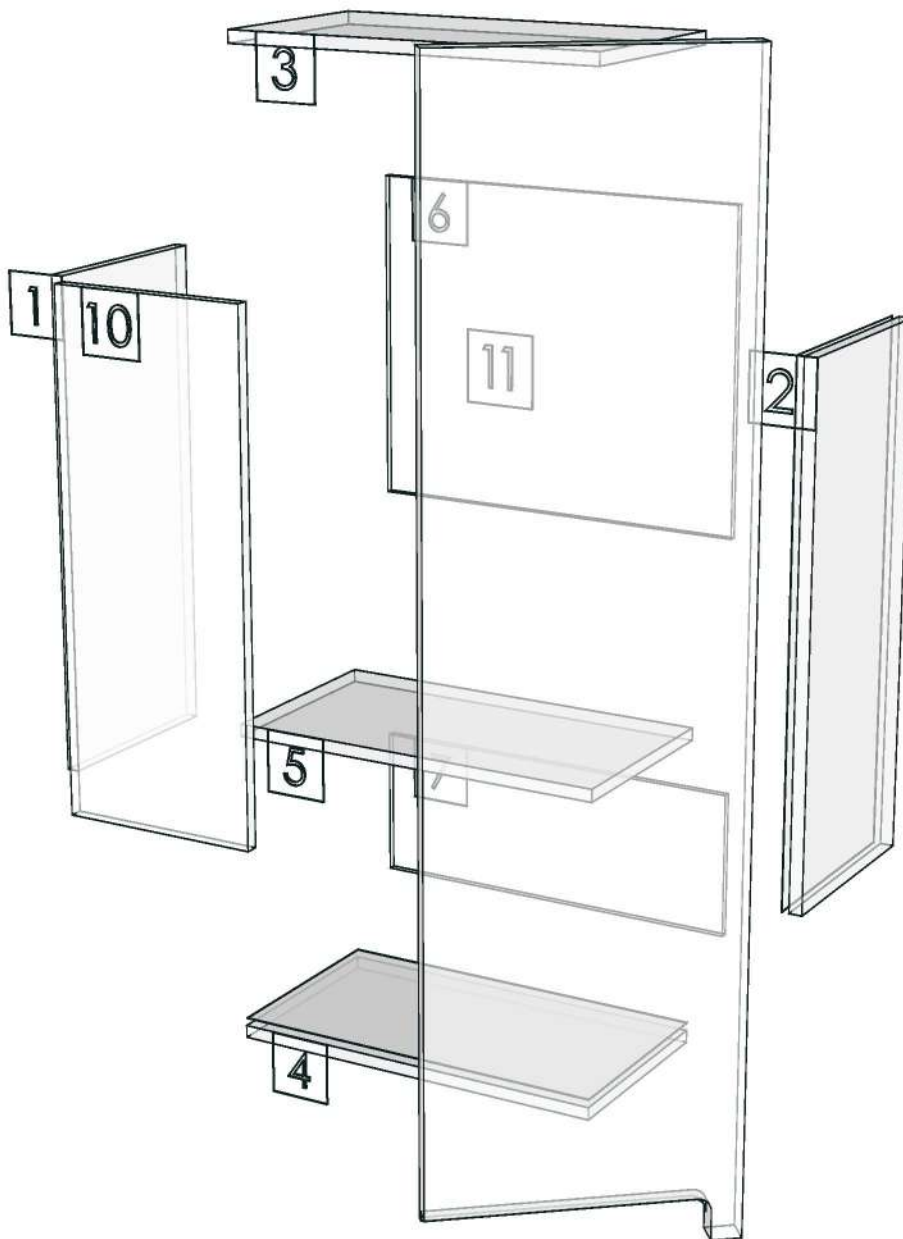
- 04.751=LAMINATE HPL # EWW9970YS (WET PROTECT)
- 04.752=LAMINATE WILMIKA HPL # 2905-86 (WET PROTECT)
- 04.753=LAMINATE HPL # EWW9970YS / HPL # 2905-86 (WET PROT

Edge

- 01.440=1 EWW9970NT (MW40-A1746TH00)
- 01.196=1 ML.LIGHT GREY(VM 1031.MD203)P6-001332M1



| | | | |
|-----------------|----------------|--------------|----------------------|
| Model | -VEHHA_DL65K2R | | |
| Creator | SUTTHI.P | Name | INDEX_C3D_KITCHENPAE |
| Reviewer | | Order | O001985 |
| Approves | | Date | 02/10/2024 |



| | | | |
|-----------------|---------------|--------------|----------------------|
| Model | VEHHA_DL60HLS | Name | INDEX_C3D_KITCHENPAE |
| Creator | SUTTHI.P | Order | O001987 |
| Reviewer | | Date | 02/10/2024 |
| Approves | | | |

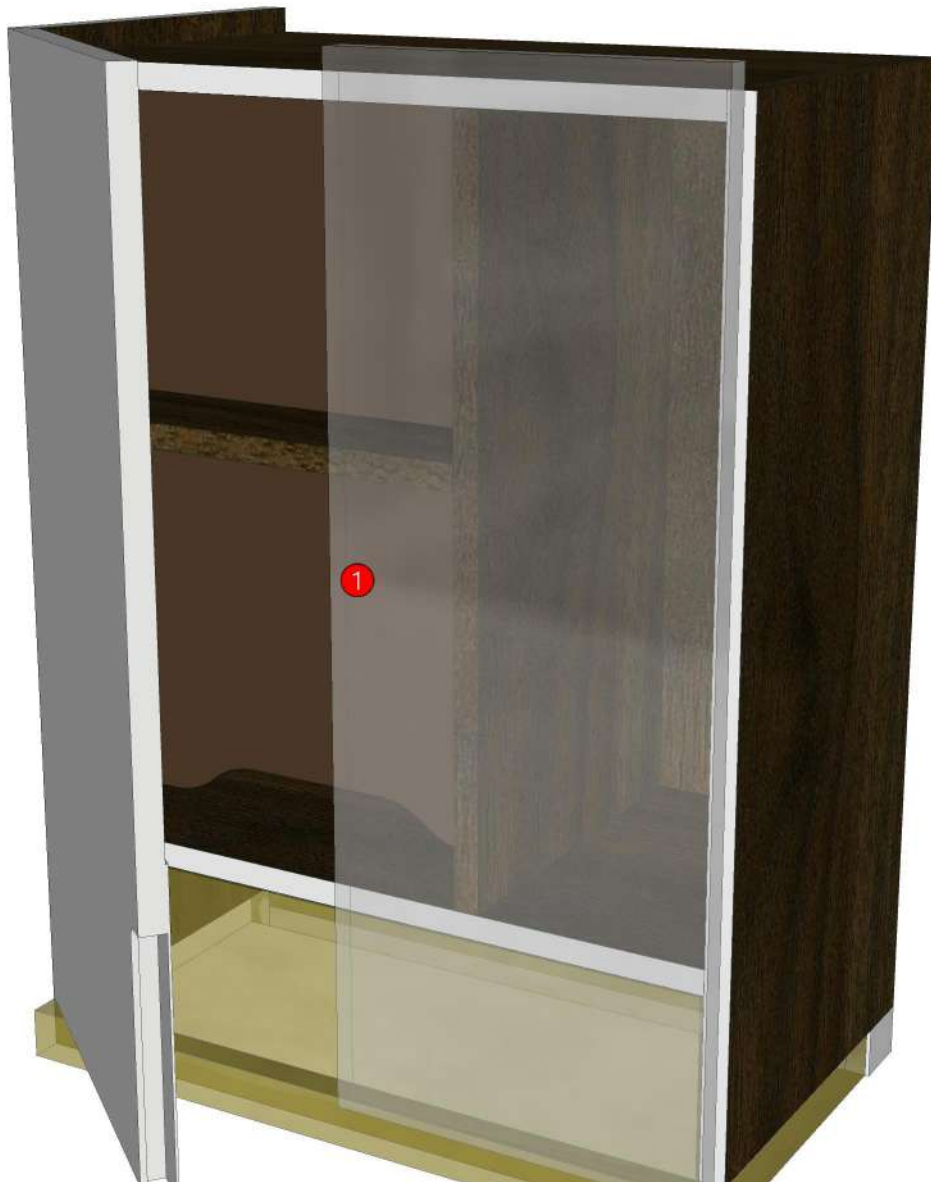
VEHHA_DL60HLS-600X330X800

Colour

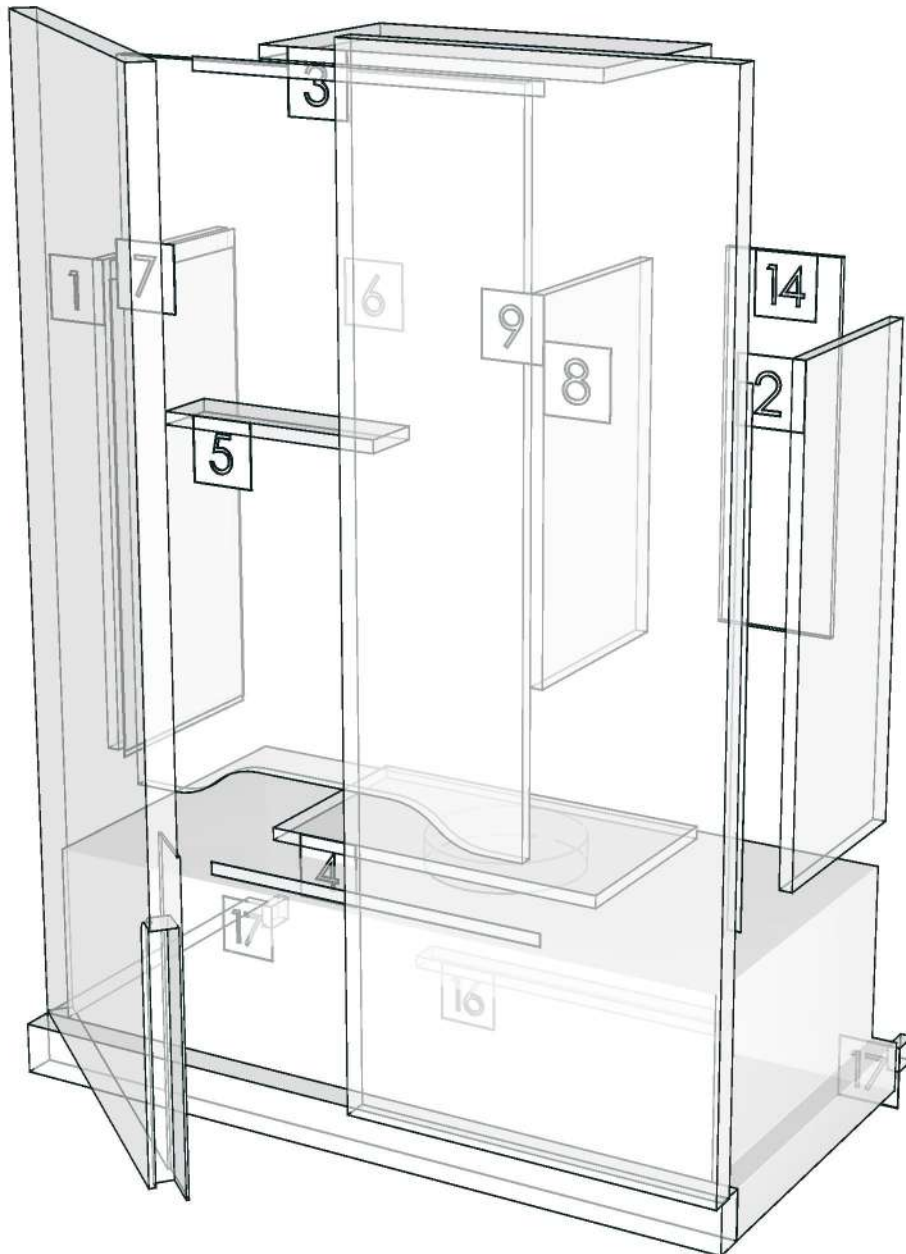
04.751=LAMINATE HPL # EWW9970YS (WET PROTECT)
04.752=LAMINATE WILMIKA HPL # 2905-86 (WET PROTECT)
04.753=LAMINATE HPL # EWW9970YS / HPL # 2905-86 (WET PROT

Edge

01.440=1 EWW9970NT (MW40-A1746TH00)
01.196=1 ML.LIGHT GREY(VM 1031.MD203)P6-001332M1



| | | | |
|-----------------|----------------|--------------|----------------------|
| Model | -VEHHA_DL60HLS | Name | INDEX_C3D_KITCHENPAE |
| Creator | SUTTHI.P | Order | O001987 |
| Approves | | Date | 02/10/2024 |



| | | | |
|-----------------|-----------------|--------------|----------------------|
| Model | VEHHA_DFCL_1300 | Name | INDEX_C3D_KITCHENPAE |
| Creator | SUTTHI.P | Order | O001947 |
| Reviewer | | Date | 30/09/2024 |
| Approves | <i>P. SAWA</i> | | |

VEHHA_DFCL_1300-1300X20X150

Colour

04.751=LAMINATE HPL # EWW9970YS (WET PROTECT)
04.752=LAMINATE WILMIKA HPL # 2905-86 (WET PROTECT)
04.753=LAMINATE HPL # EWW9970YS / HPL # 2905-86 (WET PROT

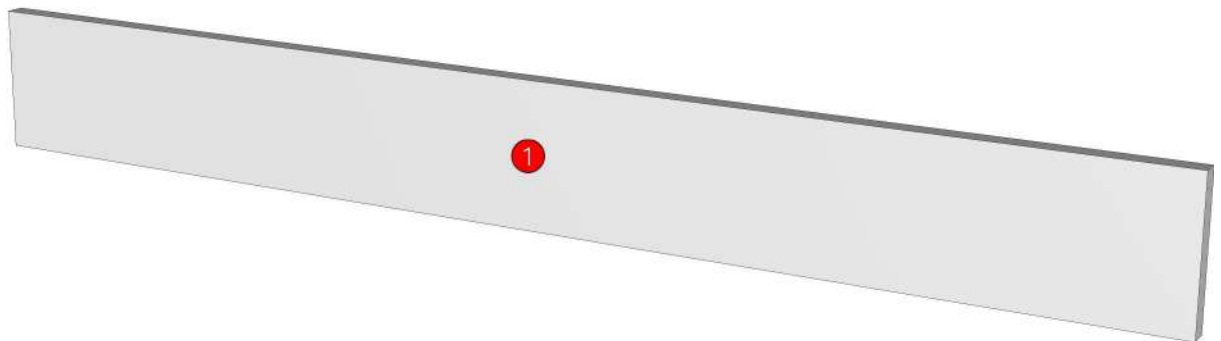
Edge

01.440=1 EWW9970NT (MW40-A1746TH00)
01.196=1 ML.LIGHT GREY(VM 1031.MD203)P6-001332M1

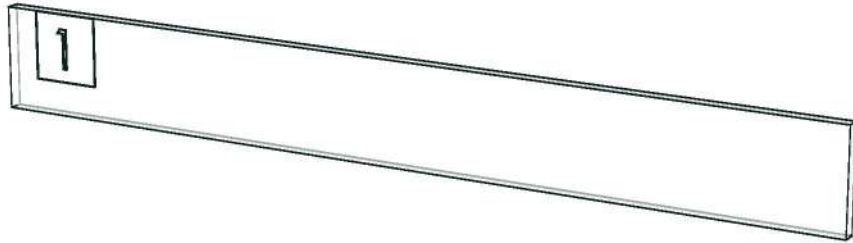
K2L 160147910

K2R 160147917

| | |
|-------------------------------------|-------------------|
| R&D REVIEW | |
| <input checked="" type="checkbox"/> | DWG.Customer |
| <input type="checkbox"/> | Work Report |
| <input type="checkbox"/> | Function |
| <input type="checkbox"/> | สินค้าตรงตัวอย่าง |
| ผู้ทบทวน <u>P.SAWA</u> | |
| ____/____/____ | |



| | | | |
|-----------------|------------------|--------------|----------------------|
| Model | -VEHHA_DFCL_1300 | | |
| Creator | SUTTHI.P | Name | INDEX_C3D_KITCHENPAE |
| Reviewer | | Order | 0001947 |
| Approves | <i>P. SAWA</i> | Date | 30/09/2024 |



| | | | |
|-----------------|------------------|--------------|----------------------|
| Model | VEHHA_DFCL_380 | Name | INDEX_C3D_KITCHENPAE |
| Creator | SUTTHI.P | Order | O001956 |
| Reviewer | | Date | 30/09/2024 |
| Approves | <i>P. SAWA I</i> | | |

VEHHA_DFCL_380-380X20X150

Colour

04.751=LAMINATE HPL # EWW9970YS (WET PROTECT)
04.752=LAMINATE WILMIKA HPL # 2905-86 (WET PROTECT)
04.753=LAMINATE HPL # EWW9970YS / HPL # 2905-86 (WET PROT

Edge

01.440=1 EWW9970NT (MW40-A1746TH00)
01.196=1 ML.LIGHT GREY(VM 1031.MD203)P6-001332M1

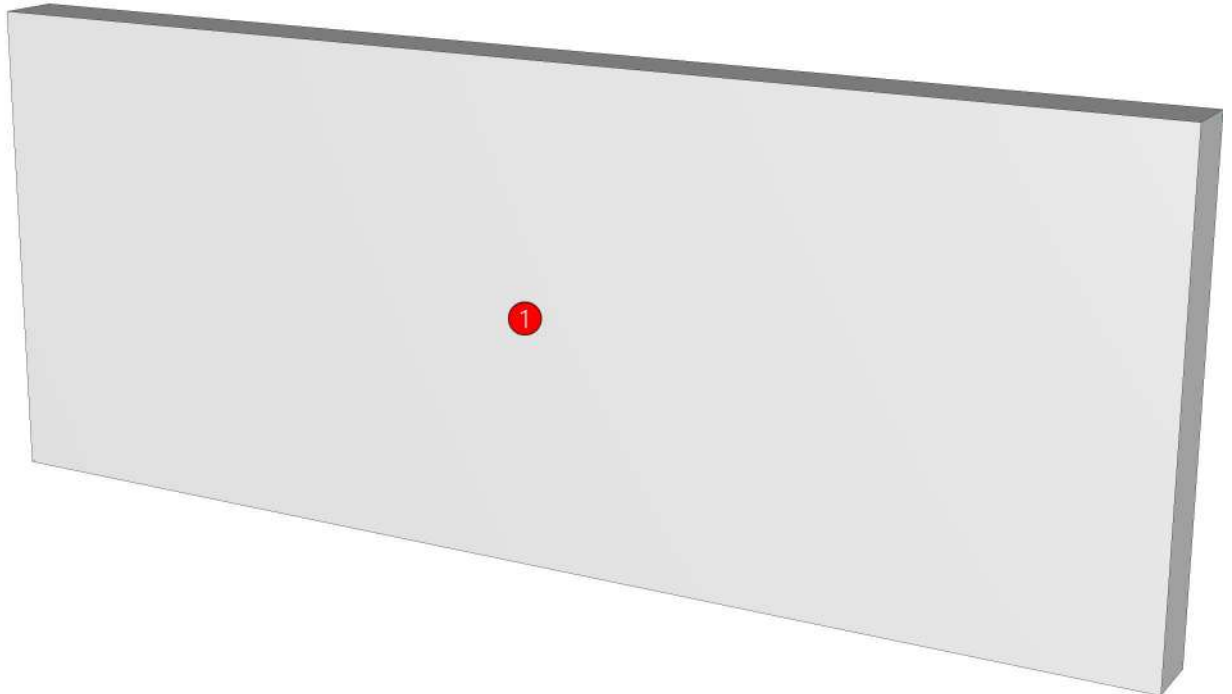
- K1L 160135183
- K1R 160147902
- K2L 160147910
- K2R 160147917
- K3L 160147924
- K5R 160147944
- K7R 160147951
- K8R 160147959
- K9R 160147971
- K10R 160147980
- K11L 160147989
- K12R 160148004
- K20L 160135213

R&D REVIEW

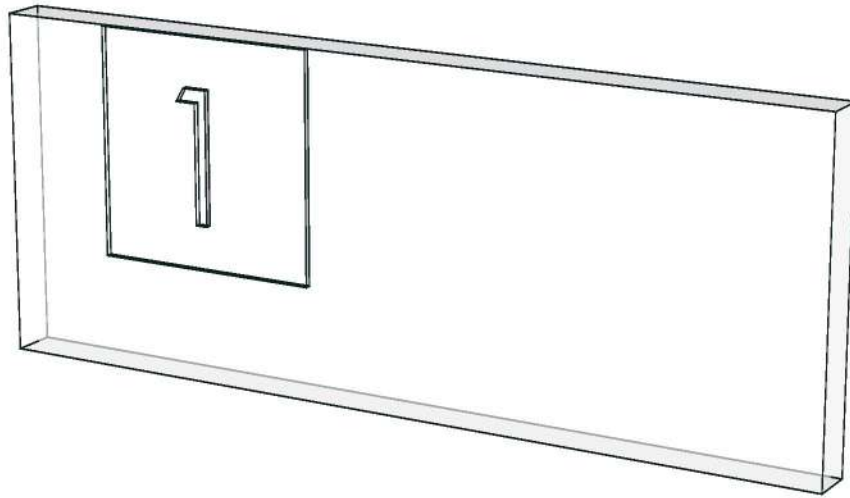
- DWG.Customer
- Work Report
- Function
- สินค้าตรงตัวอย่าง

ผู้ทบทวน P.SAWA I

____/____/____



| | | | |
|-----------------|-----------------|--------------|----------------------|
| Model | -VEHHA_DFCL_380 | | |
| Creator | SUTTHI.P | Name | INDEX_C3D_KITCHENPAE |
| Reviewer | | Order | O001956 |
| Approves | <i>P. SAWA</i> | Date | 30/09/2024 |



| | | | |
|-----------------|----------------|--------------|----------------------|
| Model | VEHHA_DPLT_630 | Name | INDEX_C3D_KITCHENPAE |
| Creator | SUTTHI.P | Order | O001976 |
| Reviewer | | Date | 01/10/2024 |
| Approves | P.SAWA | | |

VEHHA_DPLT_630-630X11X100

Colour

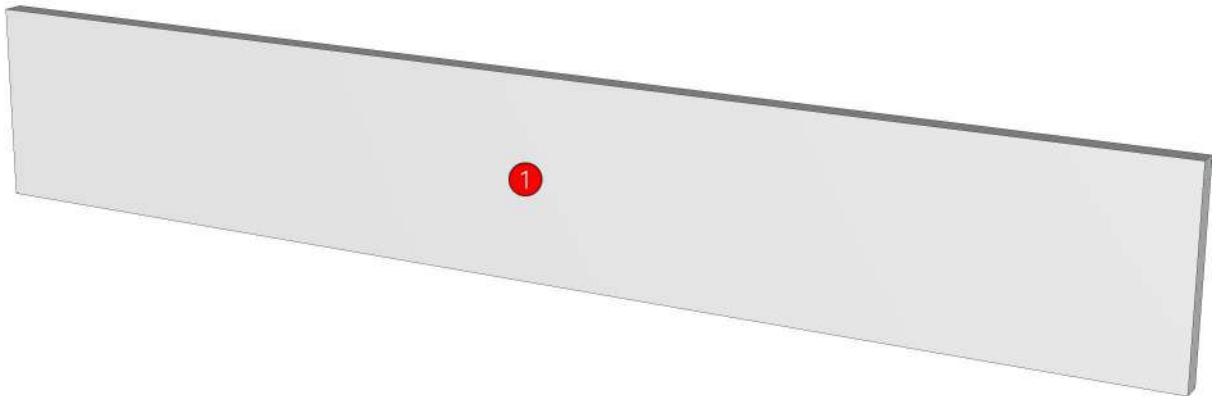
- 04.751=LAMINATE HPL # EWW9970YS (WET PROTECT)
- 04.752=LAMINATE WILMIKA HPL # 2905-86 (WET PROTECT)
- 04.753=LAMINATE HPL # EWW9970YS / HPL # 2905-86 (WET PROT

Edge

- 01.440=1 EWW9970NT (MW40-A1746TH00)
- 01.196=1 ML.LIGHT GREY(VM 1031.MD203)P6-001332M1

| | |
|-------------------------------------|-------------------|
| R&D REVIEW | |
| <input checked="" type="checkbox"/> | DWG.Customer |
| <input type="checkbox"/> | Work Report |
| <input type="checkbox"/> | Function |
| <input type="checkbox"/> | สินค้าตรงตัวอย่าง |
| ผู้ทบทวน <u>P.SAWA</u> | |
| ____/____/____ | |

*** ปิดขอบด้วยกาว PUR ยกเลิกยางกันน้ำใส



| | | | |
|-----------------|-----------------|--------------|----------------------|
| Model | -VEHHA_DPLT_630 | | |
| Creator | SUTTHI.P | Name | INDEX_C3D_KITCHENPAE |
| Reviewer | | Order | 0001976 |
| Approves | <i>P. SAWA</i> | Date | 01/10/2024 |

