

Model	VEHHA_DBS65RH	Name	INDEX_C3D_KITCHENPAE
Creator	SUTTHI.P	Order	O001983
Reviewer		Date	02/10/2024
Approves			

VEHHA_DBS65RH-650X570X930

Colour

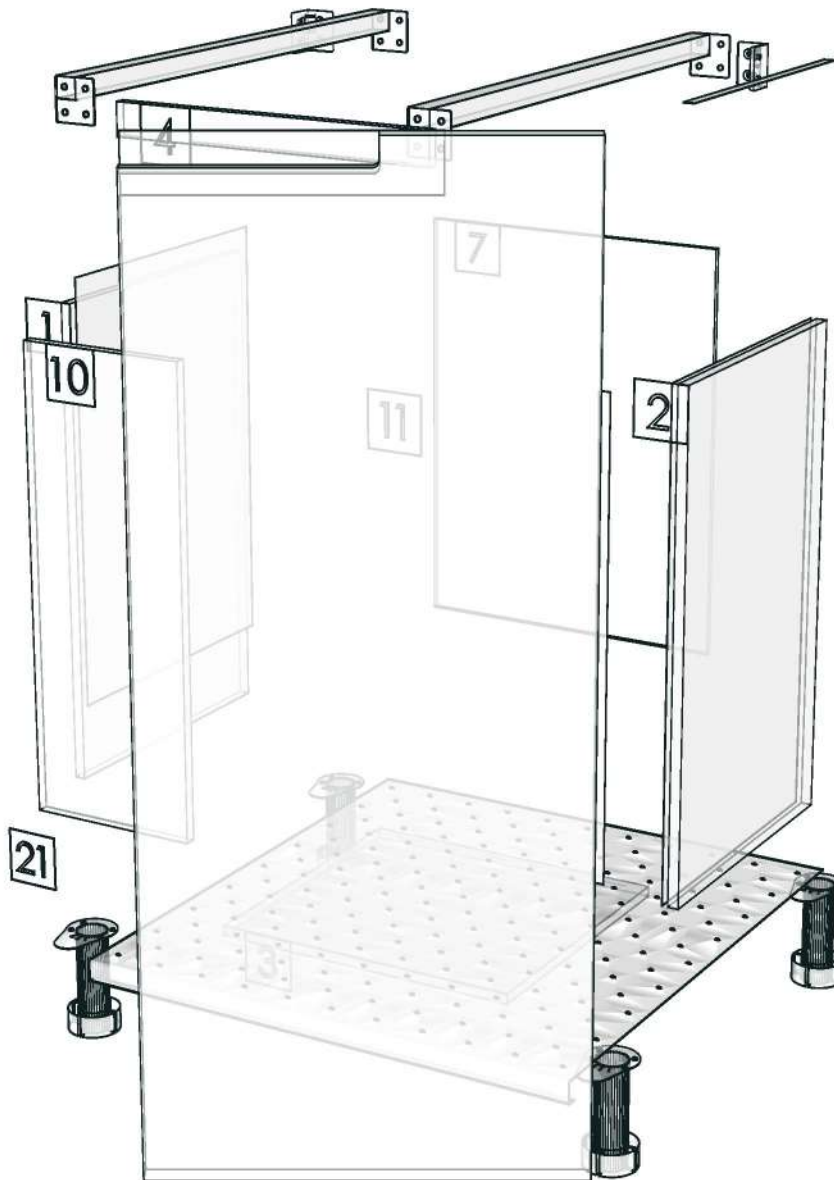
04.751=LAMINATE HPL # EWW9970YS (WET PROTECT)
04.752=LAMINATE WILMIKA HPL # 2905-86 (WET PROTECT)
04.753=LAMINATE HPL # EWW9970YS / HPL # 2905-86 (WET PROT

Edge

01.440=1 EWW9970NT (MW40-A1746TH00)
01.196=1 ML.LIGHT GREY(VM 1031.MD203)P6-001332M1



Model	-VEHHA_DBS65RH	Name	INDEX_C3D_KITCHENPAE
Creator	SUTTHI.P	Order	O001983
Reviewer		Date	02/10/2024
Approves			



Model	VEHHA_DBO70LS		
Creator	SUTTHI.P	Name	INDEX_C3D_KITCHENPAE
Reviewer		Order	O001879
Approves		Date	06/09/2024

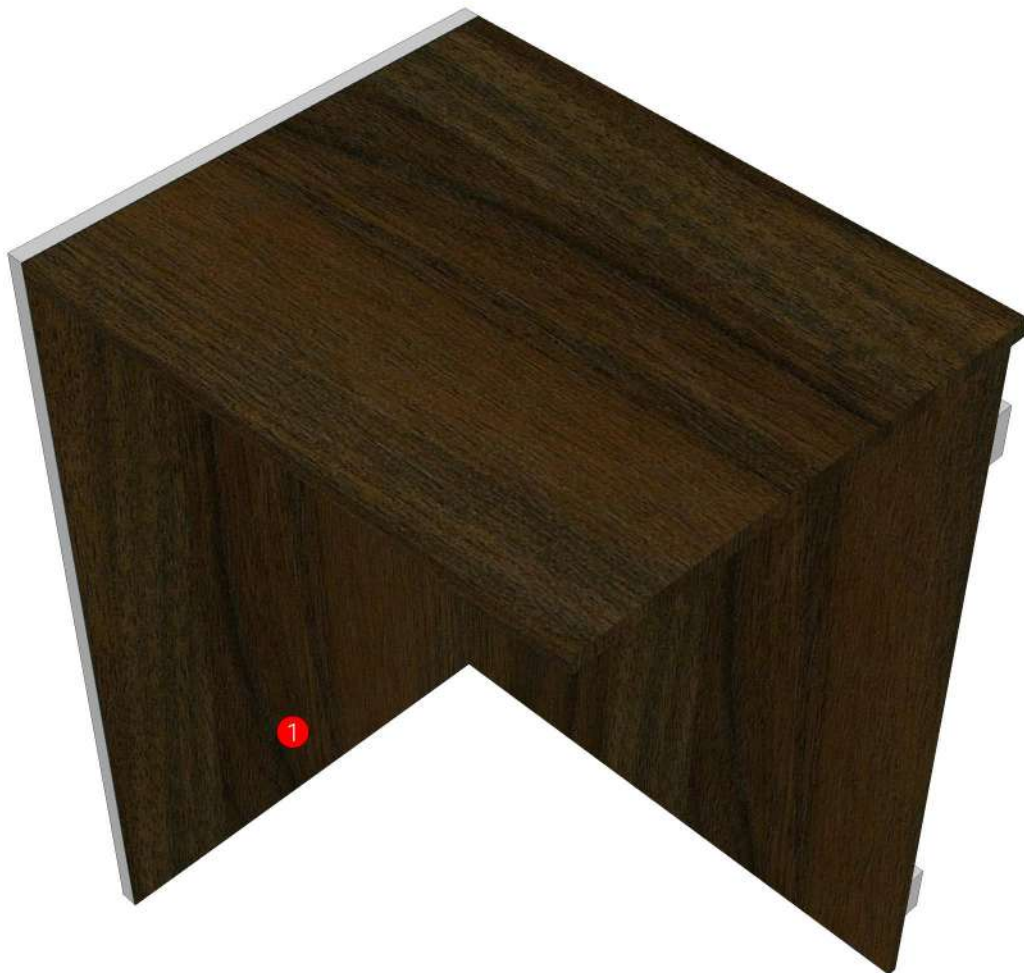
VEHHA_DBO70LS-700X570X930

Colour

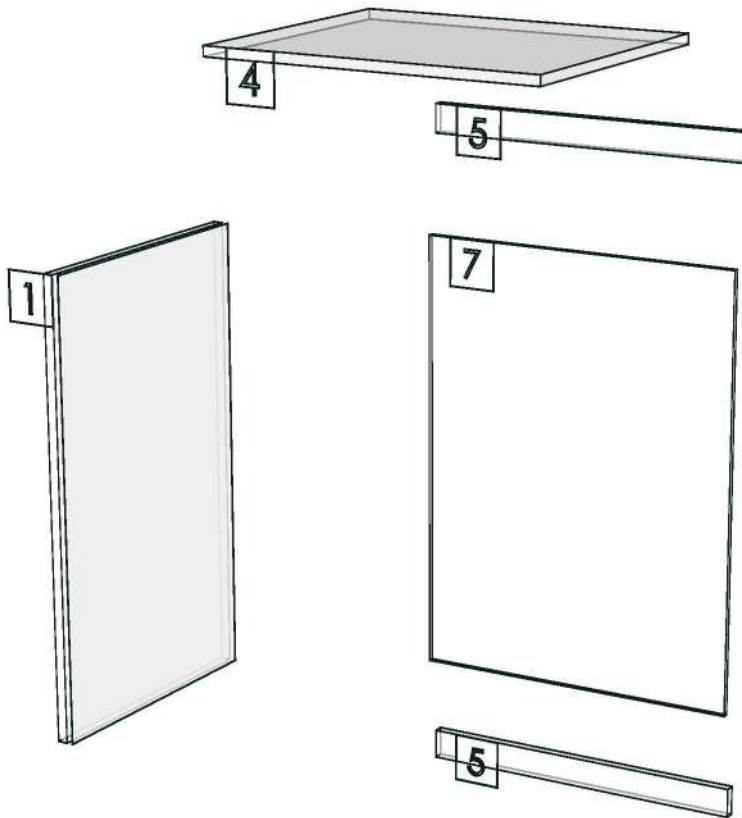
04.751=LAMINATE HPL # EWW9970YS (WET PROTECT)
04.752=LAMINATE WILMIKA HPL # 2905-86 (WET PROTECT)
04.753=LAMINATE HPL # EWW9970YS / HPL # 2905-86 (WET PROT

Edge

01.440=1 EWW9970NT (MW40-A1746TH00)
01.196=1 ML.LIGHT GREY(VM 1031.MD203)P6-001332M1



Model	-VEHHA_DBO70LS		
Creator	SUTTHI.P	Name	INDEX_C3D_KITCHENPAE
Reviewer		Order	O001879
Approves		Date	06/09/2024



Model	VEHHA_DL135R	Name	INDEX_C3D_KITCHENPAE
Creator	SUTTHI.P	Order	O001984
Reviewer		Date	02/10/2024
Approves			

VEHHA_DL135R-1350X330X800

Colour

04.751=LAMINATE HPL # EWW9970YS (WET PROTECT)

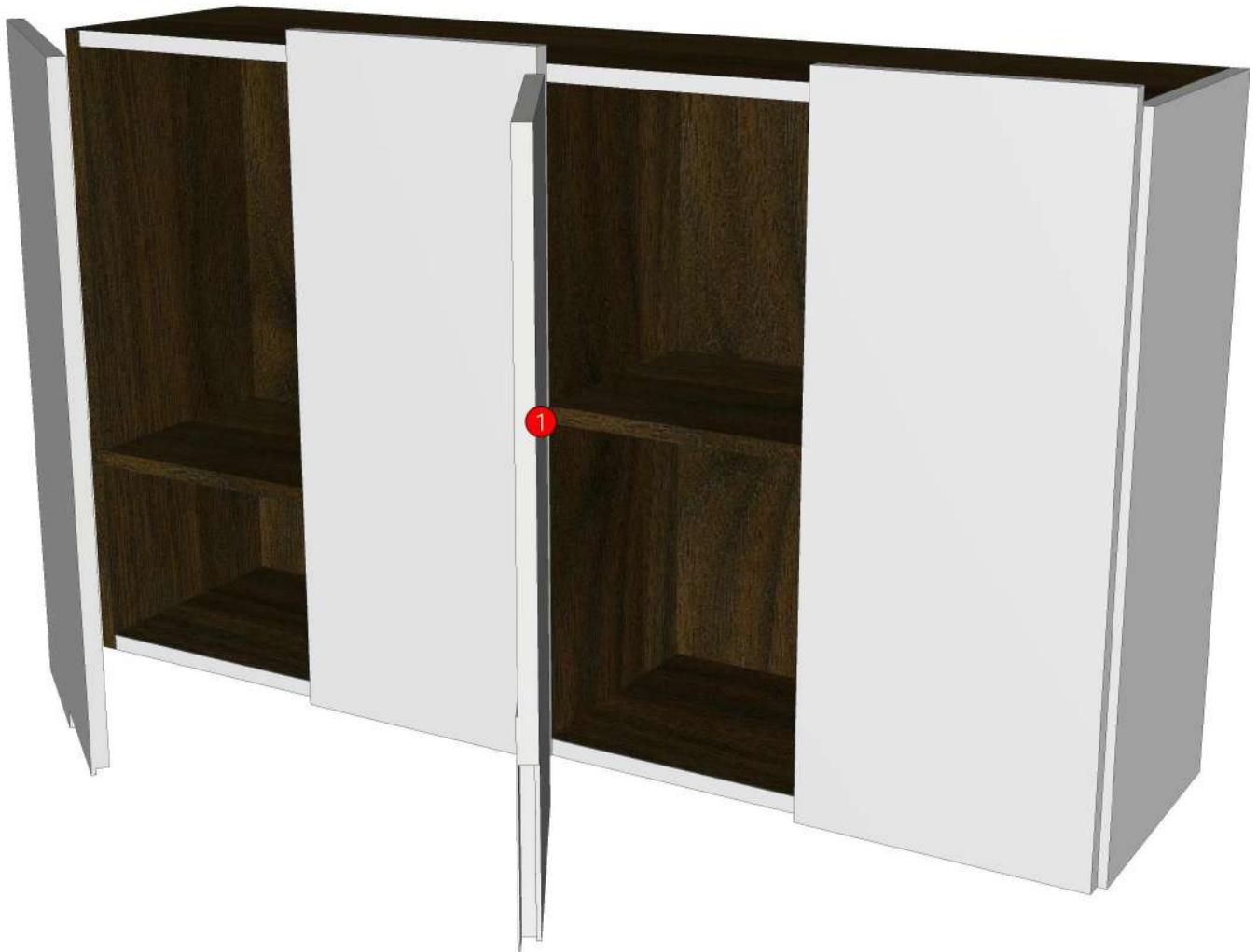
04.752=LAMINATE WILMIKA HPL # 2905-86 (WET PROTECT)

04.753=LAMINATE HPL # EWW9970YS / HPL # 2905-86 (WET PROT

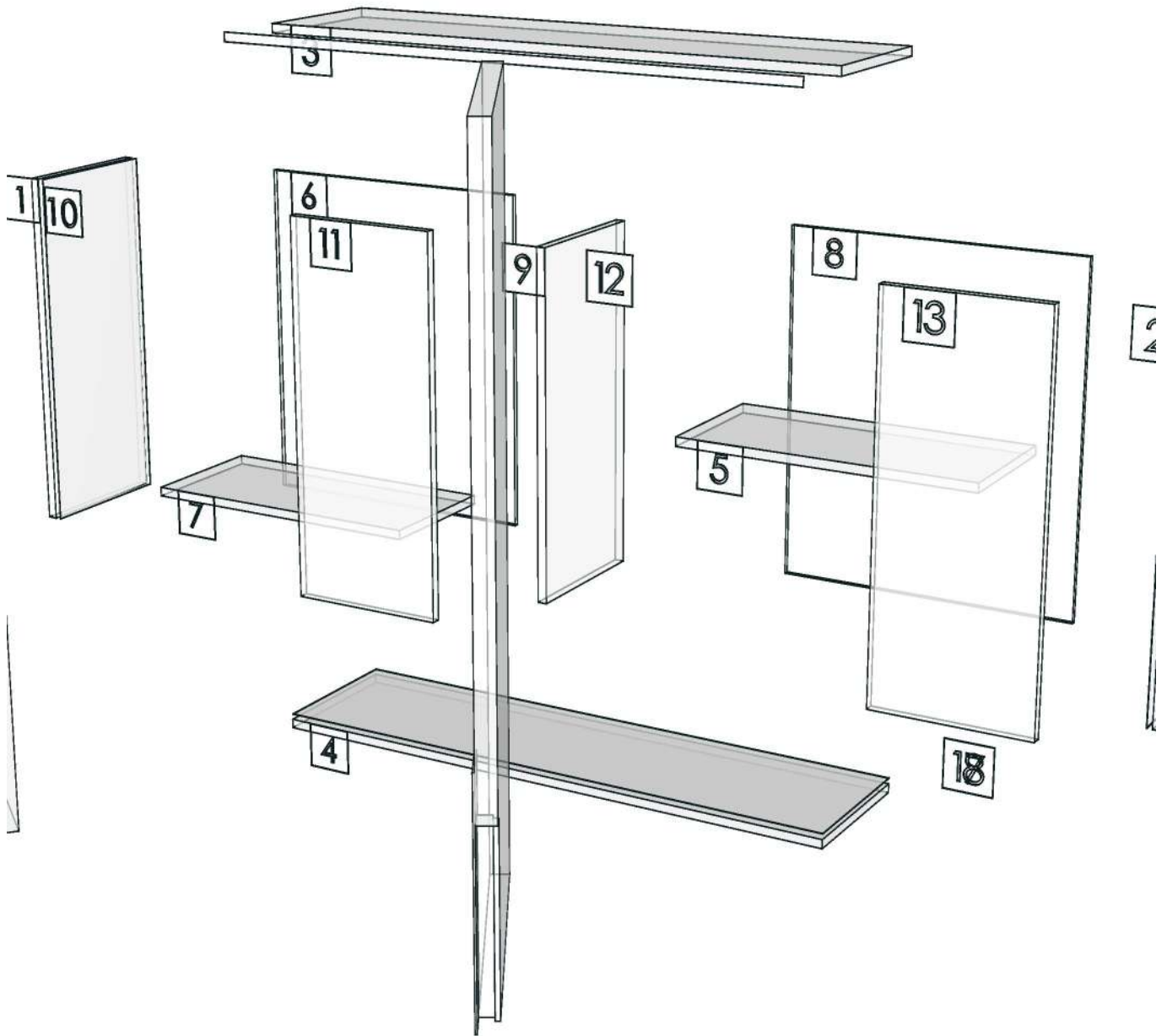
Edge

01.440=1 EWW9970NT (MW40-A1746TH00)

01.196=1 ML.LIGHT GREY(VM 1031.MD203)P6-001332M1



Model	-VEHHA_DL135R	Name	INDEX_C3D_KITCHENPAE
Creator	SUTTHI.P	Order	O001984
Reviewer		Date	02/10/2024
Approves			



Model	VEHHA_DFBS	Name	INDEX_C3D_KITCHENPAE
Creator	SUTTHI.P	Order	O001943
Reviewer		Date	19/09/2024
Approves	<i>P.SAWA</i>		

VEHHA_DFBS-150X20X930

Colour

- 04.751=LAMINATE HPL # EWW9970YS (WET PROTECT)
- 04.752=LAMINATE WILMIKA HPL # 2905-86 (WET PROTECT)
- 04.753=LAMINATE HPL # EWW9970YS / HPL # 2905-86 (WET PROT

Edge

- 01.440=1 EWW9970NT (MW40-A1746TH00)
- 01.196=1 ML.LIGHT GREY(VM 1031.MD203)P6-001332M1

K1L 160135183
K1R 160147902
K4R 160147934



R&D REVIEW	
<input checked="" type="checkbox"/>	DWG.Customer
<input type="checkbox"/>	Work Report
<input type="checkbox"/>	Function
<input type="checkbox"/>	สินค้าตรงตัวอย่าง
ผู้ทบทวน <i>P.SAWA</i>	
____/____/____	

Model	-VEHHA_DFBS		
Creator	SUTTHI.P	Name	INDEX_C3D_KITCHENPAE
Reviewer		Order	0001943
Approves	<i>P. SAWA</i>	Date	19/09/2024



Model	VEHHA_DFL	Name	INDEX_C3D_KITCHENPAE
Creator	SUTTHI.P	Order	O001958
Reviewer		Date	30/09/2024
Approves	<i>P. SAWA I</i>		

VEHHA_DFL-150X20X800

Colour

04.751=LAMINATE HPL # EWW9970YS (WET PROTECT)
04.752=LAMINATE WILMIKA HPL # 2905-86 (WET PROTECT)
04.753=LAMINATE HPL # EWW9970YS / HPL # 2905-86 (WET PROT

Edge

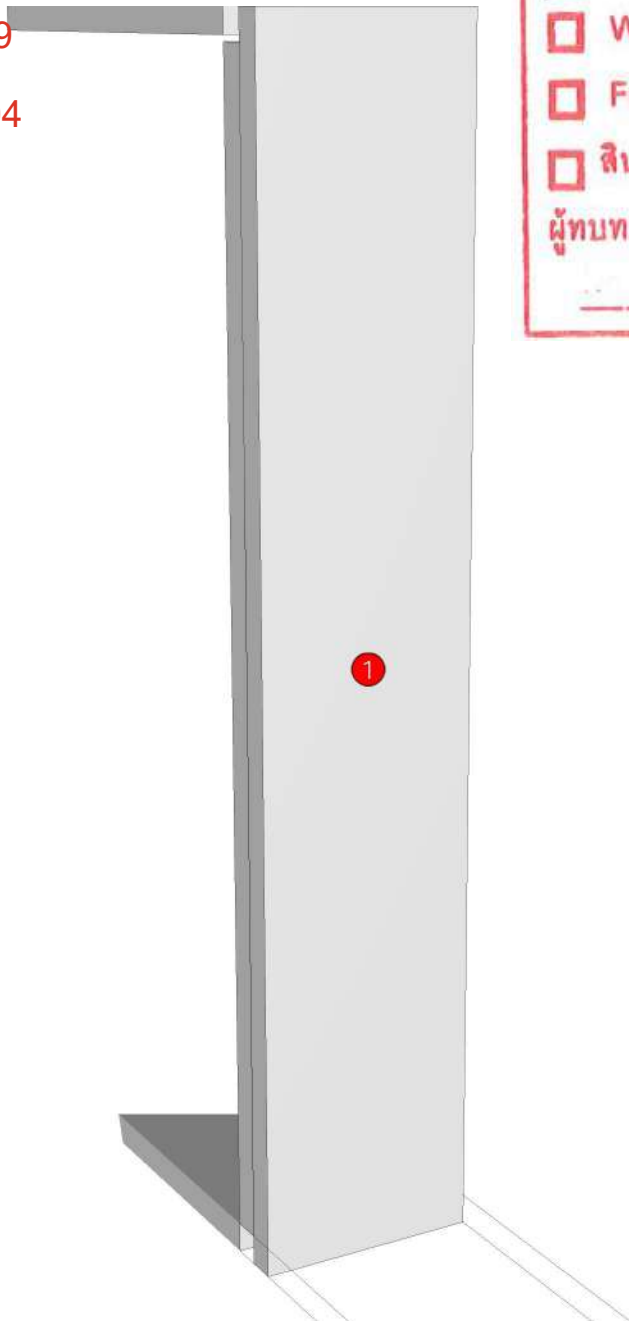
01.440=1 EWW9970NT (MW40-A1746TH00)
01.196=1 ML.LIGHT GREY(VM 1031.MD203)P6-001332M1

K1L 160135183

K1R 160147902

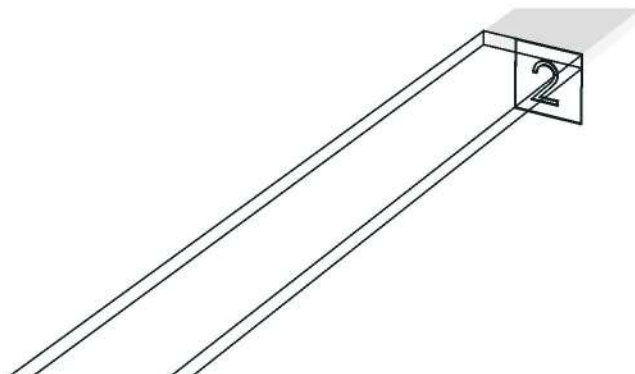
K11L 160147989

K12R 160148004



R&D REVIEW	
<input checked="" type="checkbox"/>	DWG.Customer
<input type="checkbox"/>	Work Report
<input type="checkbox"/>	Function
<input type="checkbox"/>	สินค้าตรงตัวอย่าง
ผู้ทบทวน <u>P.SAWA I</u>	
____/____/____	

Model	-VEHHA_DFL		
Creator	SUTTHI.P	Name	INDEX_C3D_KITCHENPAE
Reviewer		Order	O001958
Approves	<i>P. SAWAI</i>	Date	30/09/2024



Model	VEHHA_DFCL_1500	Name	INDEX_C3D_KITCHENPAE
Creator	SUTTHI.P	Order	O001948
Reviewer		Date	30/09/2024
Approves	<i>P.SAWA</i>		

VEHHA_DFCL_1500-1500X20X150

Colour

04.751=LAMINATE HPL # EWW9970YS (WET PROTECT)
04.752=LAMINATE WILMIKA HPL # 2905-86 (WET PROTECT)
04.753=LAMINATE HPL # EWW9970YS / HPL # 2905-86 (WET PROT

Edge

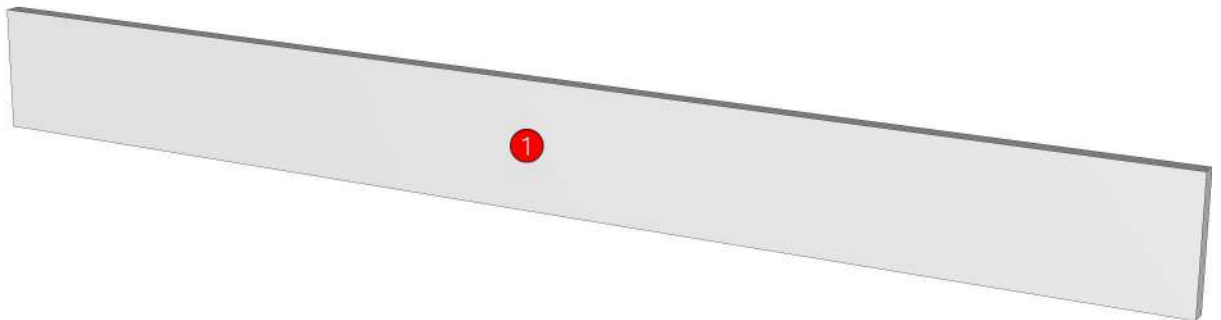
01.440=1 EWW9970NT (MW40-A1746TH00)
01.196=1 ML.LIGHT GREY(VM 1031.MD203)P6-001332M1

K1L 160135183

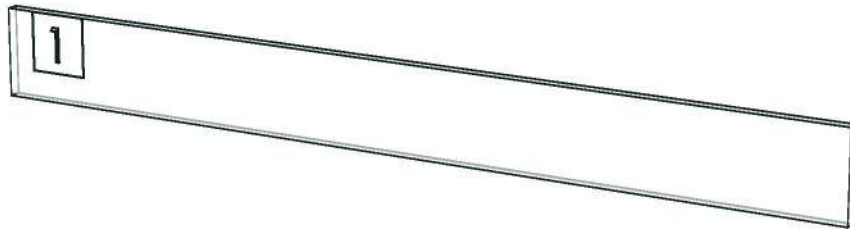
K1R 160147902

K5R 160147944

R&D REVIEW	
<input checked="" type="checkbox"/>	DWG.Customer
<input type="checkbox"/>	Work Report
<input type="checkbox"/>	Function
<input type="checkbox"/>	สินค้าตรงตัวอย่าง
ผู้ทบทวน <u>P.SAWA</u>	
____/____/____	



Model	-VEHHA_DFCL_1500		
Creator	SUTTHI.P	Name	INDEX_C3D_KITCHENPAE
Reviewer		Order	O001948
Approves	<i>P. SAWA</i>	Date	30/09/2024



Model	VEHHA_DFCL_380	Name	INDEX_C3D_KITCHENPAE
Creator	SUTTHI.P	Order	O001956
Reviewer		Date	30/09/2024
Approves	<i>P.SAWAI</i>		

VEHHA_DFCL_380-380X20X150

Colour

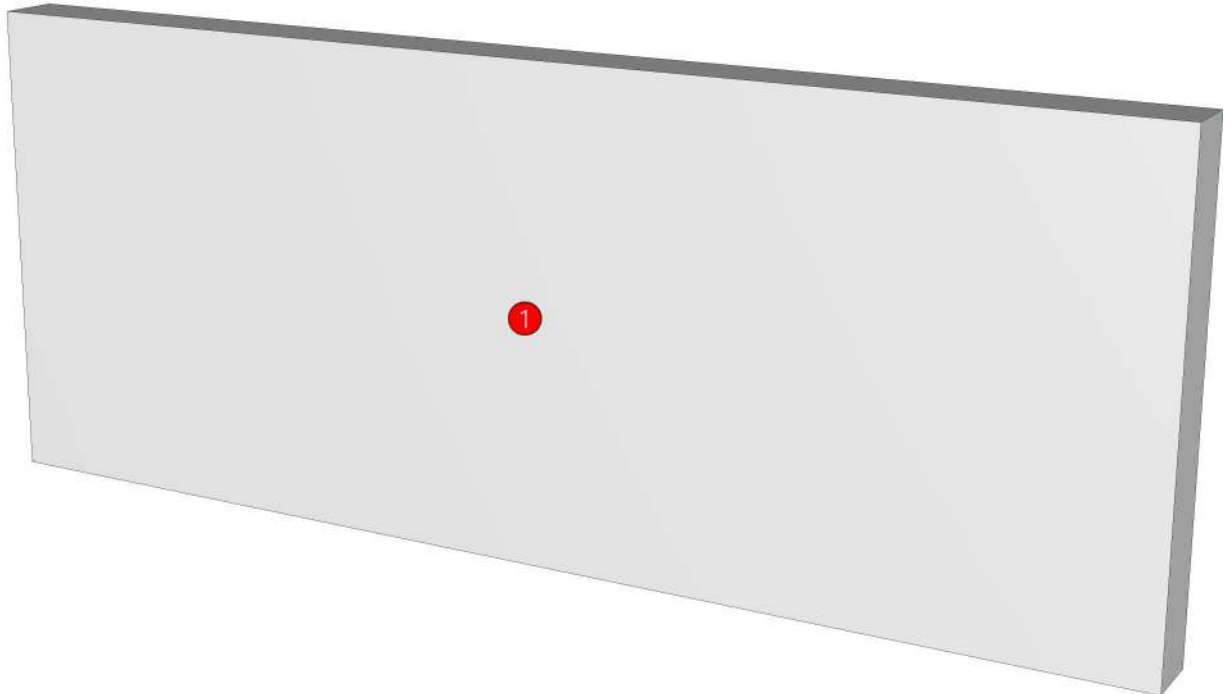
04.751=LAMINATE HPL # EWW9970YS (WET PROTECT)
04.752=LAMINATE WILMIKA HPL # 2905-86 (WET PROTECT)
04.753=LAMINATE HPL # EWW9970YS / HPL # 2905-86 (WET PROT

Edge

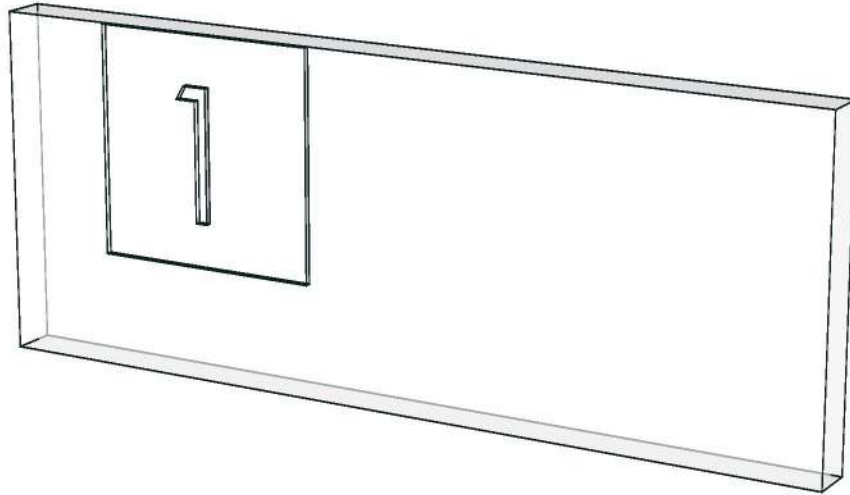
01.440=1 EWW9970NT (MW40-A1746TH00)
01.196=1 ML.LIGHT GREY(VM 1031.MD203)P6-001332M1

K1L 160135183 K7R 160147951
K1R 160147902 K8R 160147959
K2L 160147910 K9R 160147971
K2R 160147917 K10R 160147980
K3L 160147924 K11L 160147989
K5R 160147944 K12R 160148004
K20L 160135213

R&D REVIEW	
<input checked="" type="checkbox"/>	DWG.Customer
<input type="checkbox"/>	Work Report
<input type="checkbox"/>	Function
<input type="checkbox"/>	สินค้าตรงตัวอย่าง
ผู้ทบทวน <u>P.SAWAI</u>	
____/____/____	



Model	-VEHHA_DFCL_380		
Creator	SUTTHI.P	Name	INDEX_C3D_KITCHENPAE
Reviewer		Order	O001956
Approves	<i>P. SAWA</i>	Date	30/09/2024



Model	VEHHA_DPLT_610	Name	INDEX_C3D_KITCHENPAE
Creator	SUTTHI.P	Order	O001975
Reviewer		Date	01/10/2024
Approves	<i>P.SAWA I</i>		

VEHHA_DPLT_610-610X11X100

Colour

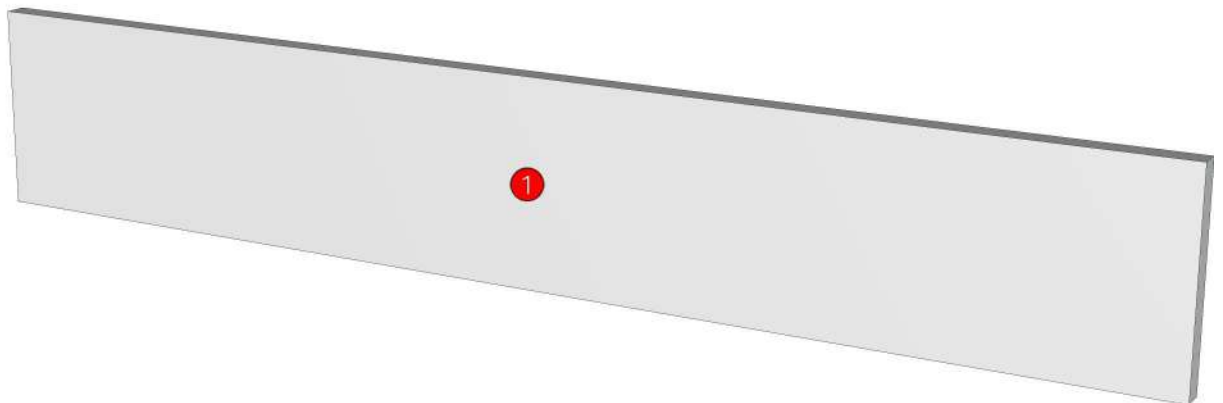
04.751=LAMINATE HPL # EWW9970YS (WET PROTECT)
04.752=LAMINATE WILMIKA HPL # 2905-86 (WET PROTECT)
04.753=LAMINATE HPL # EWW9970YS / HPL # 2905-86 (WET PROT

Edge

01.440=1 EWW9970NT (MW40-A1746TH00)
01.196=1 ML.LIGHT GREY(VM 1031.MD203)P6-001332M1

R&D REVIEW	
<input checked="" type="checkbox"/>	DWG.Customer
<input type="checkbox"/>	Work Report
<input type="checkbox"/>	Function
<input type="checkbox"/>	สินค้าตรงตัวอย่าง
ผู้ทบทวน <u>P.SAWA I</u>	
_____/_____/_____	

*** ปิดขอบด้วยกาว PUR ยกเลิกยางกันน้ำใส



Model	-VEHHA_DPLT_610		
Creator	SUTTHI.P	Name	INDEX_C3D_KITCHENPAE
Reviewer		Order	0001975
Approves	<i>P. SAWAI</i>	Date	01/10/2024

