

Model	ARISE_CRM_DBS55RGL		
Creator	PASATHORN	.BCP Name	INDEX_C3D_KITCHEN2
Reviewer		Order	I003283
Approves	P.SAWAI	Date	06/08/2024

ARISE_CRM_DBS55RGL-550X570X901

Colour

10.01.06=ML.GALAXY GREY#AS7 (MATT)
20.05=ML.MK3258_MATT

Edge

01.182=1 GALAXY GREY AS7
01.157=1 MD229

R&D REVIEW	
<input checked="" type="checkbox"/>	DWG.Customer
<input checked="" type="checkbox"/>	Work Report
<input type="checkbox"/>	Function
<input type="checkbox"/>	สินค้าตรงตัวอย่าง
ผู้ทบทวน <u>P.SAWAI</u>	
<u>25/8/24</u>	

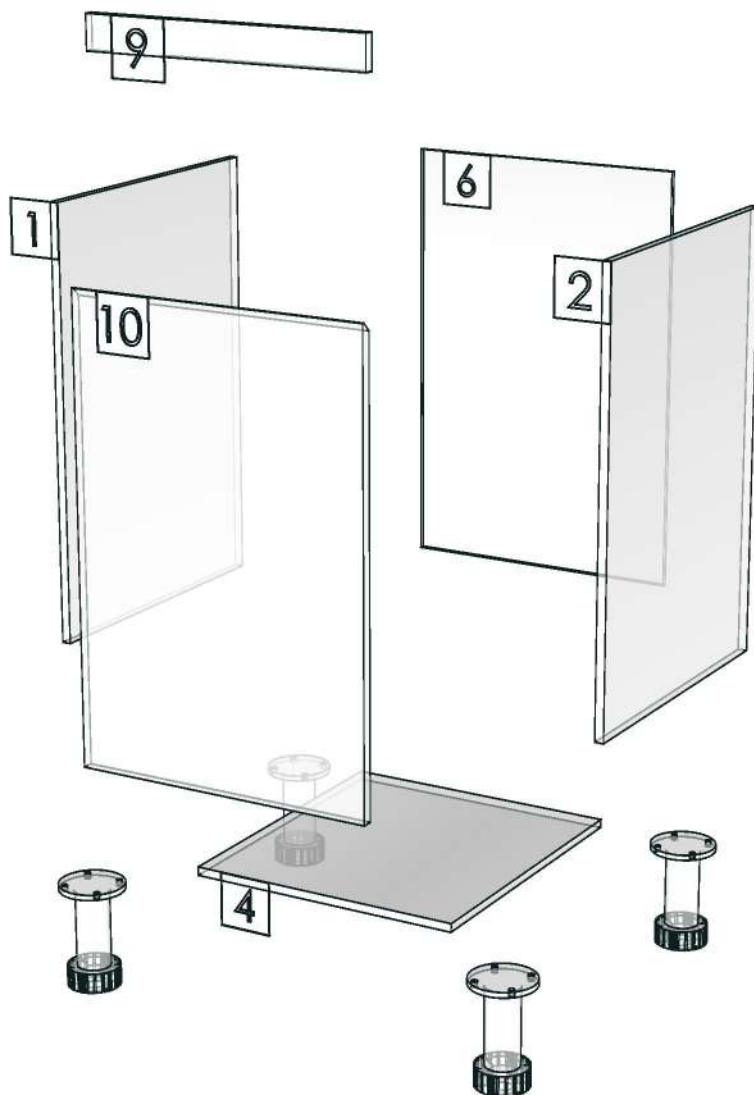
K106R-160146891
K100R-160146862



K101R-160146874



Model	-ARISE_CRM_DBS55RGL		
Creator		.BCP Name	INDEX_C3D_KITCHEN2
Reviewer		Order	I003283
Approves	P.SAWAI	Date	



Model	ARISE_CRM_DBD352G		
Creator	PASATHORN	.BCP Name	INDEX_C3D_KITCHEN2
Reviewer		Order	I003272
Approves		Date	25/07/2024

ARISE_CRM_DBD352G-350X570X901

Colour

10.01.06=ML.GALAXY GREY#AS7 (MATT)
20.05=ML.MK3258_MATT

Edge

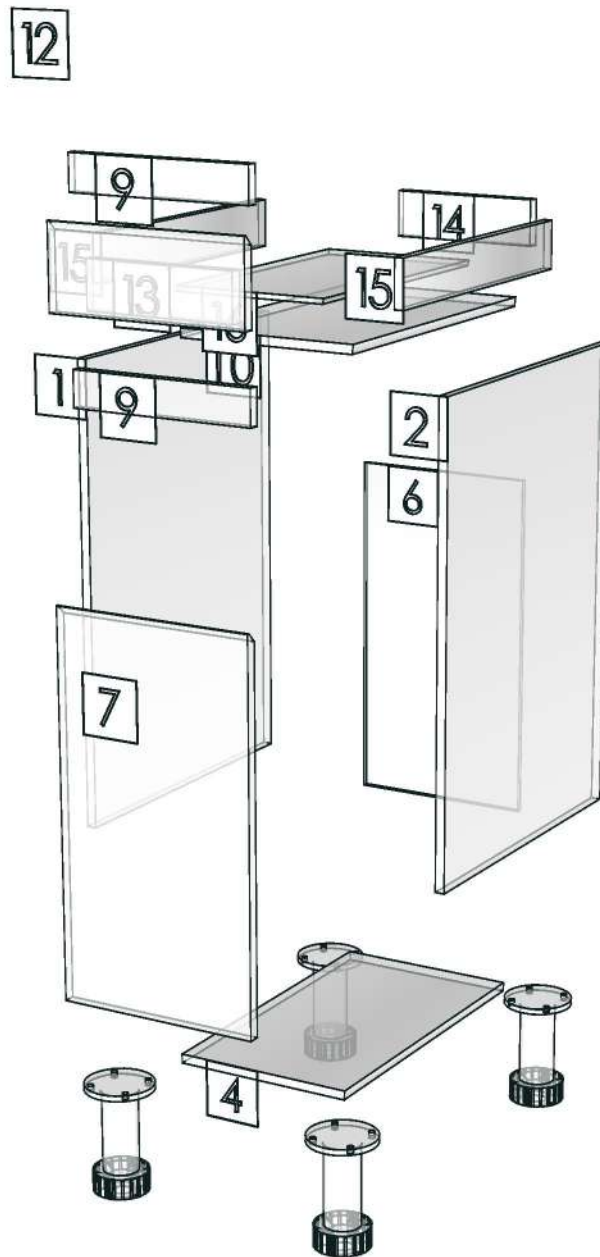
01.182=1 GALAXY GREY AS7
01.157=1 MD229

K100R-160146862

R&D REVIEW	
<input checked="" type="checkbox"/>	DWG.Customer
<input checked="" type="checkbox"/>	Work Report
<input type="checkbox"/>	Function
<input type="checkbox"/>	สินค้าตรงตัวอย่าง
ผู้ทบทวน _____	



Model	-ARISE_CRM_DBD352G		
Creator		.BCP Name	INDEX_C3D_KITCHEN2
Reviewer		Order	I003272
Approves		Date	



Model	ARISE_CRM_DBO65		
Creator	PASATHORN	.BCP Name	INDEX_C3D_KITCHEN2
Reviewer		Order	I003282
Approves		Date	06/08/2024

ARISE_CRM_DBO65-650X570X901

Colour

10.01.06=ML.GALAXY GREY#AS7 (MATT)

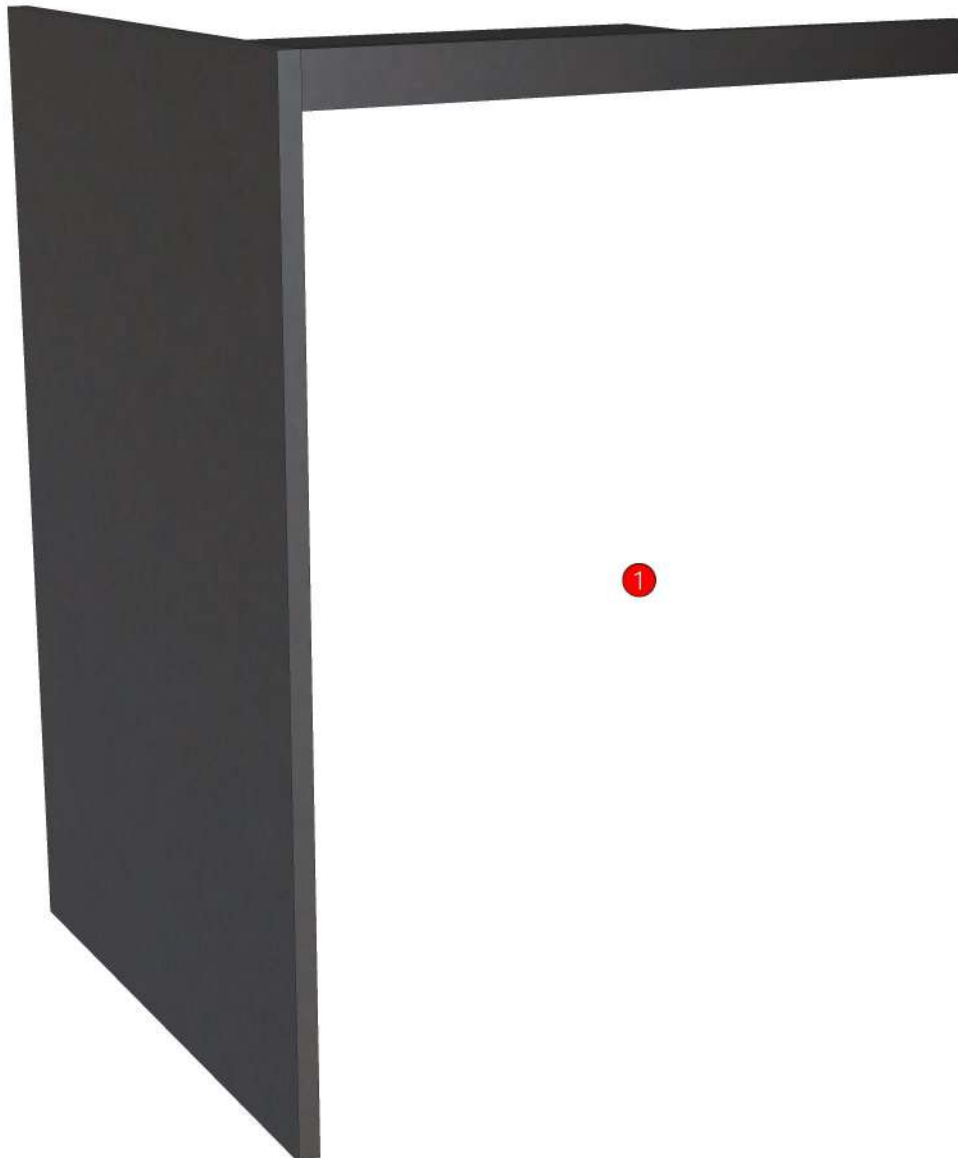
Edge

01.182=1 GALAXY GREY AS7

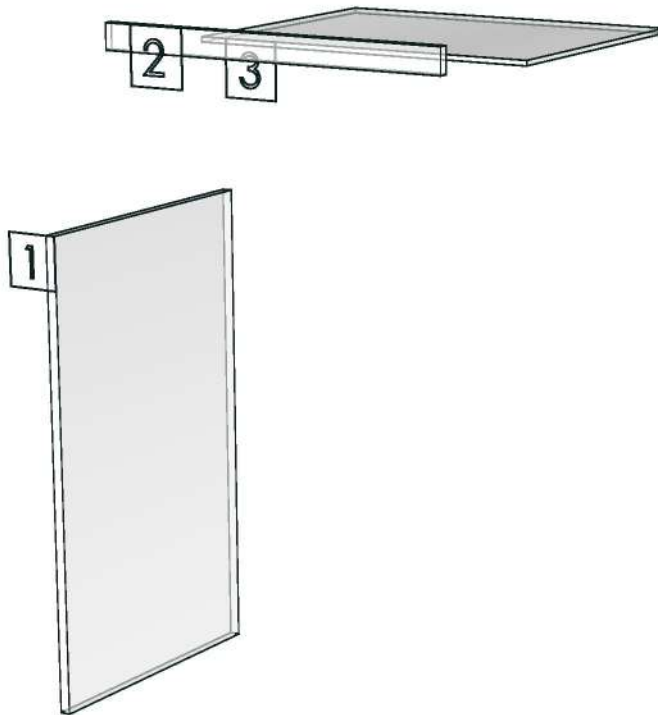
K100R-160146862

K101R-160146874

R&D REVIEW	
<input checked="" type="checkbox"/>	DWG.Customer
<input checked="" type="checkbox"/>	Work Report
<input type="checkbox"/>	Function
<input type="checkbox"/>	สินค้าตรงตัวอย่าง
ผู้ทบทวน _____	



Model	-ARISE_CRM_DBO65		
Creator		.BCP Name	INDEX_C3D_KITCHEN2
Reviewer		Order	I003282
Approves		Date	



Model	ARISE_CRM_DLMV60R		
Creator	PASATHORN	.BCP Name	INDEX_C3D_KITCHEN2
Reviewer		Order	I003266
Approves		Date	24/07/2024

ARISE_CRM_DLMV60R-600X380X1050

Colour

10.01.06=ML.GALAXY GREY#AS7 (MATT)
20.05=ML.MK3258_MATT
05.68=ML.BROWN NORDIC#BT1 (MATT WOODGRAIN)

Edge

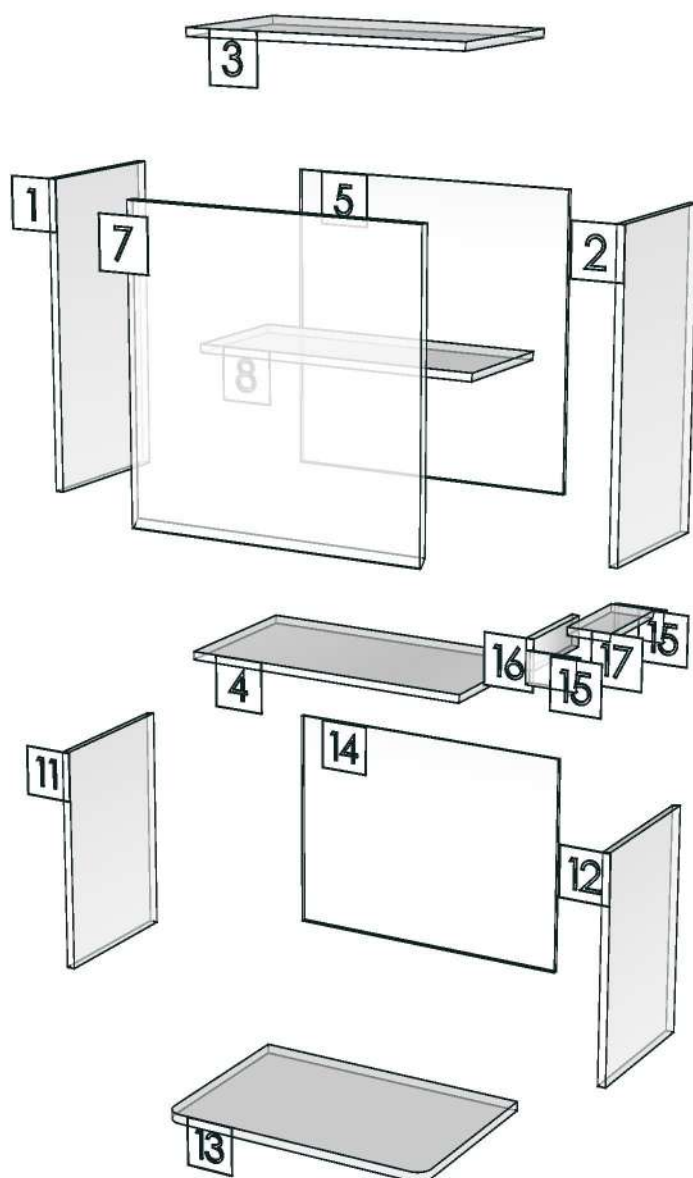
01.182=1 GALAXY GREY AS7
01.157=1 MD229
01.381=1 ML.BROWN NORDIC BT1

K100R-160146862

R&D REVIEW	
<input checked="" type="checkbox"/>	DWG.Customer
<input checked="" type="checkbox"/>	Work Report
<input type="checkbox"/>	Function
<input type="checkbox"/>	สินค้าตรงตัวอย่าง
ผู้ทบทวน _____	



Model	-ARISE_CRM_DLMV60R		
Creator		.BCP Name	INDEX_C3D_KITCHEN2
Reviewer		Order	I003266
Approves		Date	



Model	ARISE_CRM_DL35LS		
Creator	PASATHORN	.BCP Name	INDEX_C3D_KITCHEN2
Reviewer		Order	I003265
Approves	P.SAWAI	Date	24/07/2024

ARISE_CRM_DL35LS-350X300X900

Colour

10.01.06=ML.GALAXY GREY#AS7 (MATT)
20.05=ML.MK3258_MATT
05.68=ML.BROWN NORDIC#BT1 (MATT WOODGRAIN)

Edge

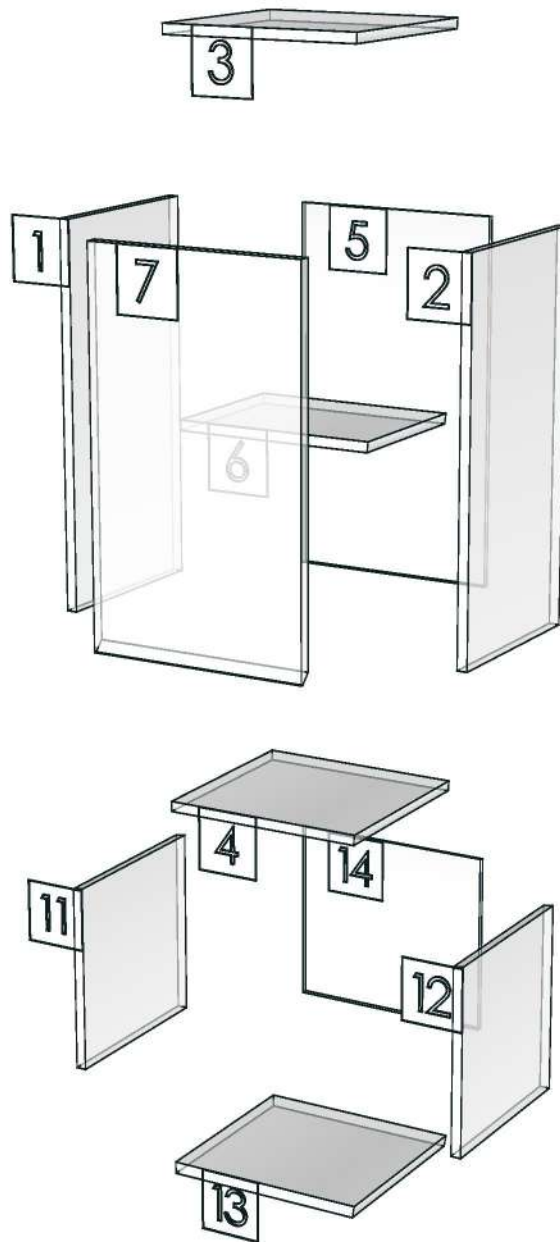
01.182=1 GALAXY GREY AS7
01.157=1 MD229
01.381=1 ML.BROWN NORDIC BT1

K100R-160146862

R&D REVIEW	
<input checked="" type="checkbox"/>	DWG.Customer
<input checked="" type="checkbox"/>	Work Report
<input type="checkbox"/>	Function
<input type="checkbox"/>	สินค้าตรงตัวอย่าง
ผู้ทบทวน P.SAWAI	
24/7/24	



Model	-ARISE_CRM_DL35LS		
Creator		.BCP Name	INDEX_C3D_KITCHEN2
Reviewer		Order	I003265
Approves	P.SAWAI	Date	



Model	ARISE_CRM_DL60HL		
Creator	PASATHORN	.BCP Name	INDEX_C3D_KITCHEN2
Reviewer		Order	I003291
Approves	P.SAWAI	Date	06/08/2024

ARISE_CRM_DL60HL-600X300X855



Colour

10.01.06=ML.GALAXY GREY#AS7 (MATT)
20.05=ML.MK3258_MATT

Edge

01.182=1 GALAXY GREY AS7
01.157=1 MD229

R&D REVIEW	
<input checked="" type="checkbox"/>	DWG.Customer
<input checked="" type="checkbox"/>	Work Report
<input type="checkbox"/>	Function
<input type="checkbox"/>	สินค้าตรงตัวอย่าง
ผู้ทบทวน <u>P.SAWAI</u>	
<u>25/8/24</u>	

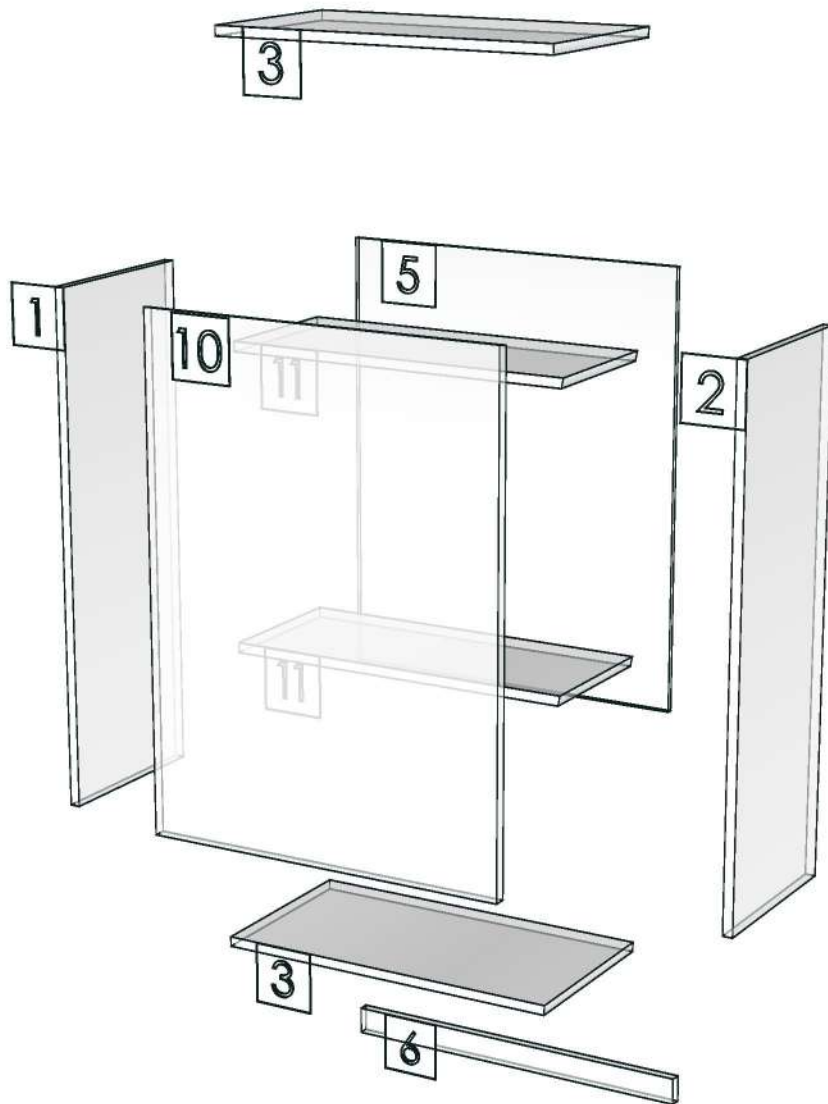
K100R-160146862

K101R-160146874

K106R-160146891



Model	-ARISE_CRM_DL60HL		
Creator		.BCP Name	INDEX_C3D_KITCHEN2
Reviewer		Order	I003291
Approves	P.SAWAI	Date	



Model	ARISE_CRM_DW75		
Creator	PASATHORN	.BCP Name	INDEX_C3D_KITCHEN2
Reviewer		Order	I003260
Approves	P.SAWAI	Date	23/07/2024

ARISE_CRM_DW75-750X300X600

Colour

10.01.06=ML.GALAXY GREY#AS7 (MATT)

20.05=ML.MK3258_MATT

K100R-160146862

Edge

01.182=1 GALAXY GREY AS7

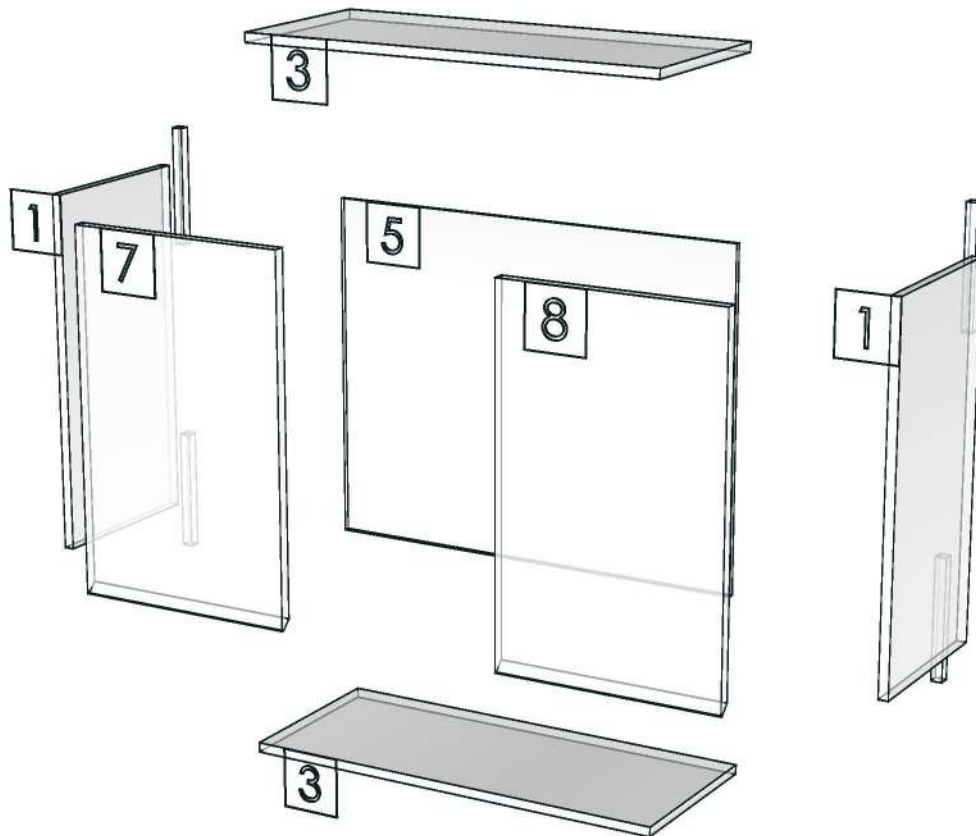
01.157=1 MD229



R&D REVIEW	
<input checked="" type="checkbox"/>	DWG.Customer
<input checked="" type="checkbox"/>	Work Report
<input type="checkbox"/>	Function
<input type="checkbox"/>	สินค้าตรงตัวอย่าง
ผู้ทบทวน P.SAWAI	
23/07/24	



Model	-ARISE_CRM_DW75		
Creator		.BCP Name	INDEX_C3D_KITCHEN2
Reviewer		Order	I003260
Approves	P.SAWAI	Date	



Model	ARISE_CRM_DFW		
Creator	PASATHORN	.BCP Name	INDEX_C3D_KITCHEN2
Reviewer		Order	I003238
Approves	P.SAWAI	Date	18/07/2024

ARISE_CRM_DFW-150X16X600

Colour

10.01.06=ML.GALAXY GREY#AS7 (MATT)
20.05=ML.MK3258_MATT

Edge

01.182=1 GALAXY GREY AS7
01.157=1 MD229

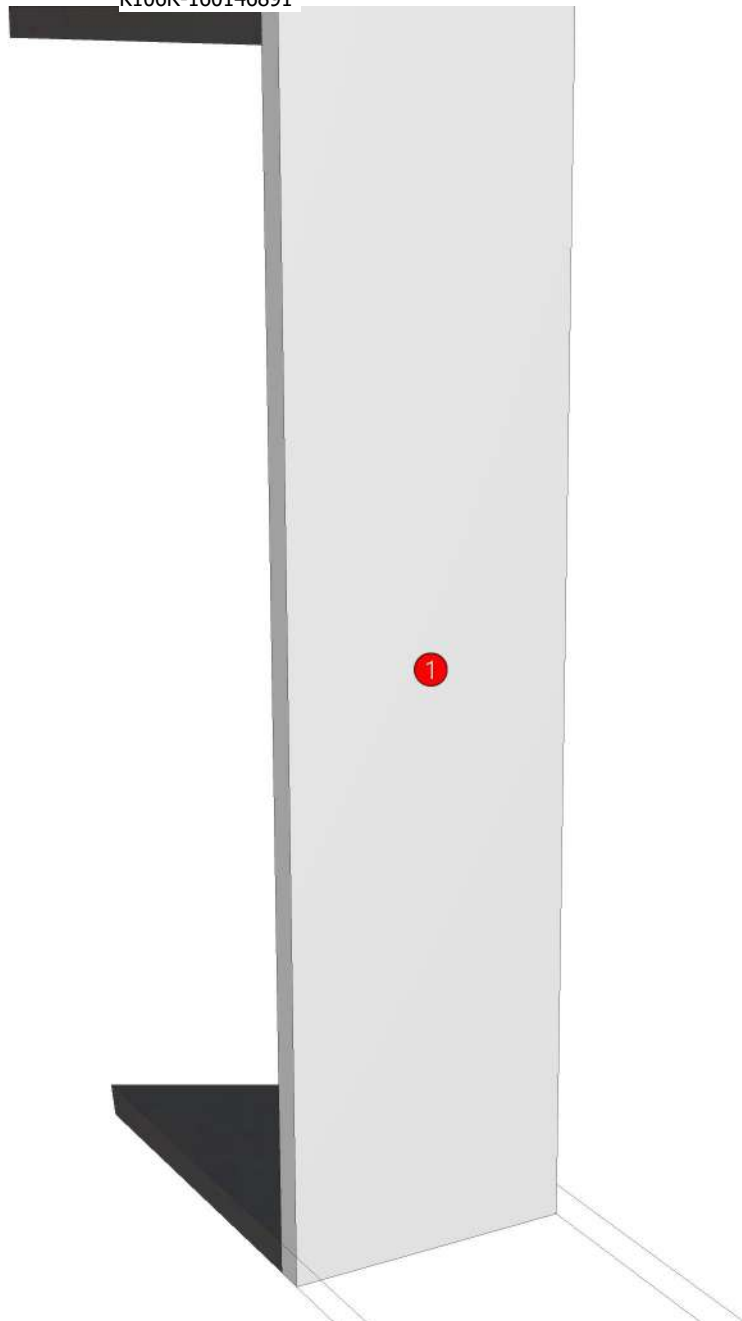


R&D REVIEW	
<input checked="" type="checkbox"/>	DWG.Customer
<input checked="" type="checkbox"/>	Work Report
<input type="checkbox"/>	Function
<input type="checkbox"/>	สินค้าตรงตัวอย่าง
ผู้ทบทวน <u>P.SAWAI</u>	
<u>18/07/2024</u>	

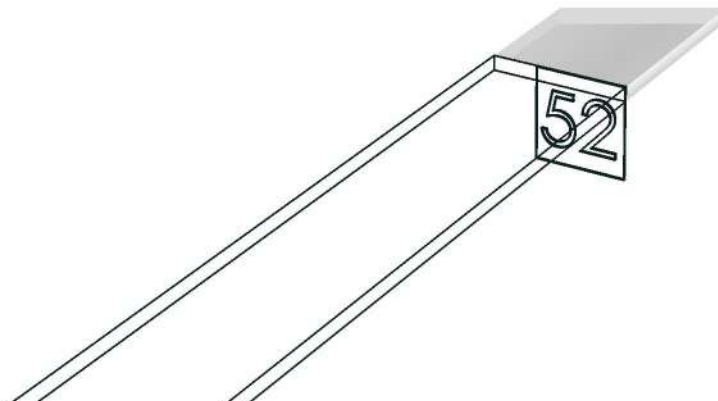
K100R-160146862

K101R-160146874

K106R-160146891



Model	-ARISE_CRM_DFW		
Creator		.BCP Name	INDEX_C3D_KITCHEN2
Reviewer		Order	I003238
Approves	P.SAWAI	Date	



Model	ARISE_CRM_DDM95		
Creator	PASATHORN	.BCP Name	INDEX_C3D_KITCHEN2
Reviewer		Order	I003254
Approves	P.SAWAI	Date	22/07/2024

ARISE_CRM_DDM95-950X16X150

Colour

10.01.06=ML.GALAXY GREY#AS7 (MATT)

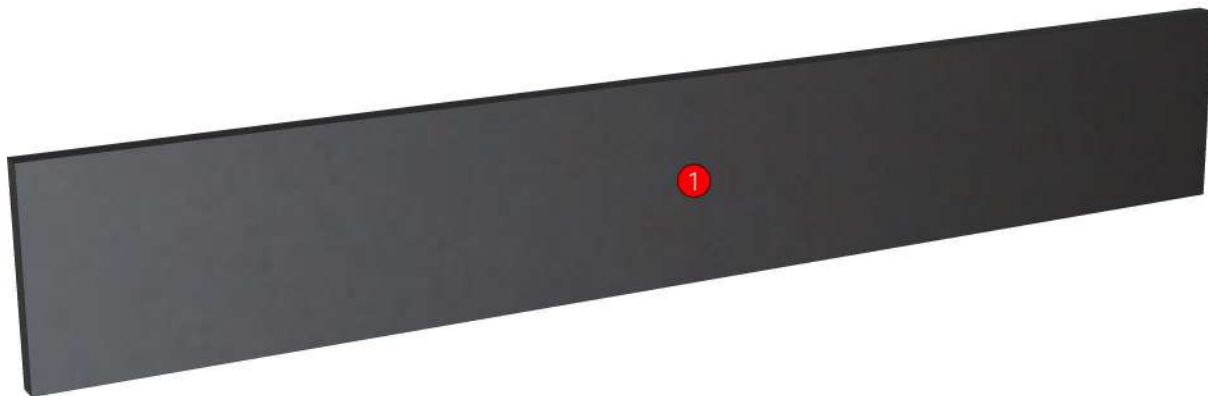
Edge

01.182=1 GALAXY GREY AS7

K100R-160146862



R&D REVIEW	
<input checked="" type="checkbox"/>	DWG.Customer
<input checked="" type="checkbox"/>	Work Report
<input type="checkbox"/>	Function
<input type="checkbox"/>	สินค้าตรงตัวอย่าง
ผู้ทบทวน <u>P.SAWAI</u>	
<u>22/07/2024</u>	



Model	ARISE_CRM_DF_CL2400		
Creator	PASATHORN	.BCP Name	INDEX_C3D_KITCHEN2
Reviewer		Order	I003237
Approves	P.SAWAI	Date	18/07/2024

ARISE_CRM_DF_CL2400-2400X16X150



Colour

10.01.06=ML.GALAXY GREY#AS7 (MATT)

Edge

01.182=1 GALAXY GREY AS7

K100R-160146862

R&D REVIEW	
<input checked="" type="checkbox"/>	DWG.Customer
<input checked="" type="checkbox"/>	Work Report
<input type="checkbox"/>	Function
<input type="checkbox"/>	สินค้าตรงตัวอย่าง
ผู้ทบทวน P.SAWAI	
<i>[Signature]</i>	



Model	ARISE_CRM_DUT500		
Creator	PASATHORN	.BCP Name	INDEX_C3D_KITCHEN2
Reviewer		Order	I003293
Approves	P.SAWAI	Date	06/08/2024

ARISE_CRM_DUT500-500X60X12



R&D REVIEW	
<input checked="" type="checkbox"/>	DWG.Customer
<input checked="" type="checkbox"/>	Work Report
<input type="checkbox"/>	Function
<input type="checkbox"/>	สินค้าตรงตัวอย่าง
ผู้ทบทวน P.SAWAI	
[Signature]	

Colour

05.01=ML WHITE VM1012 18/18

Edge

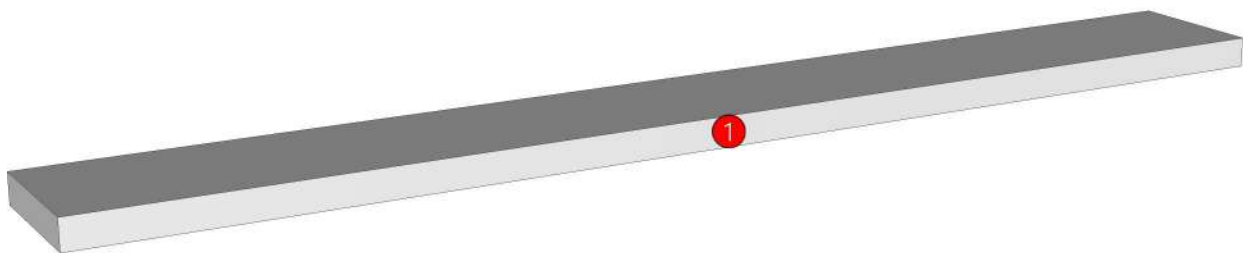
01.47=1 WHITE

K100R-160146862

K101R-160146874

K102L-160146884

K106R-160146891



Model	ARISE_CRM_D_PLT900		
Creator	PASATHORN	.BCP Name	INDEX_C3D_KITCHEN2
Reviewer		Order	I003229
Approves	P.SAWAI	Date	18/07/2024

ARISE_CRM_D_PLT900-900X9X100

Colour

10.01.06=ML.GALAXY GREY#AS7 (MATT)

Edge

01.182=1 GALAXY GREY AS7

K100R-160146862



R&D REVIEW	
<input checked="" type="checkbox"/>	DWG.Customer
<input checked="" type="checkbox"/>	Work Report
<input type="checkbox"/>	Function
<input type="checkbox"/>	สินค้าตรงตัวอย่าง
ผู้ทบทวน P.SAWAI	
18/07/2024	



Model	ARISE_CRM_D_PLT600		
Creator	PASATHORN	.BCP Name	INDEX_C3D_KITCHEN2
Reviewer		Order	I003279
Approves	P.SAWAI	Date	06/08/2024

ARISE_CRM_D_PLT600-600X9X100



Colour

10.01.06=ML.GALAXY GREY#AS7 (MATT)

Edge

01.182=1 GALAXY GREY AS7

R&D REVIEW	
<input checked="" type="checkbox"/>	DWG.Customer
<input checked="" type="checkbox"/>	Work Report
<input type="checkbox"/>	Function
<input type="checkbox"/>	สินค้าตรงตัวอย่าง
ผู้ทบทวน P.SAWAI	
_____/____/____	

K100R-160146862

K101R-160146874

K106R-160146891

