

<b>Model</b>	ESCENT_PK2_DB301LGRSR		
<b>Creator</b>	PASATHORN	<b>.BCP Name</b>	INDEX_C3D_KITCHEN2
<b>Reviewer</b>		<b>Order</b>	I003118
<b>Approves</b>		<b>Date</b>	22/05/2024

## ESCENT\_PK2\_DB301LGRSR-300X570X922

**Colour**

05.30 ML WHITE SAND #VM1012/2610/2610(PEARL)\_

05.79 ML.NATURAL ASH (VM20682/2097/2097)\_

-  
-  
-

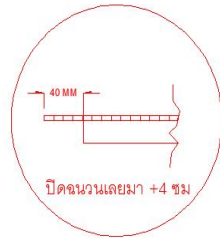
K2R-160137719

**Edge**

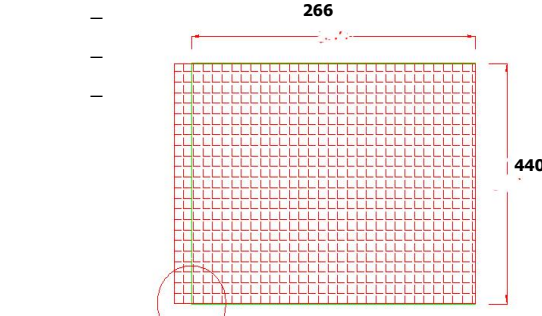
01.47 1 WHITE \_

01.421 1 NATURAL ASH (DA56-11001-M0) \_

-  
-  
-



SECTION A



SECTION A

**R&D REVIEW**

DWG.Customer

Work Report

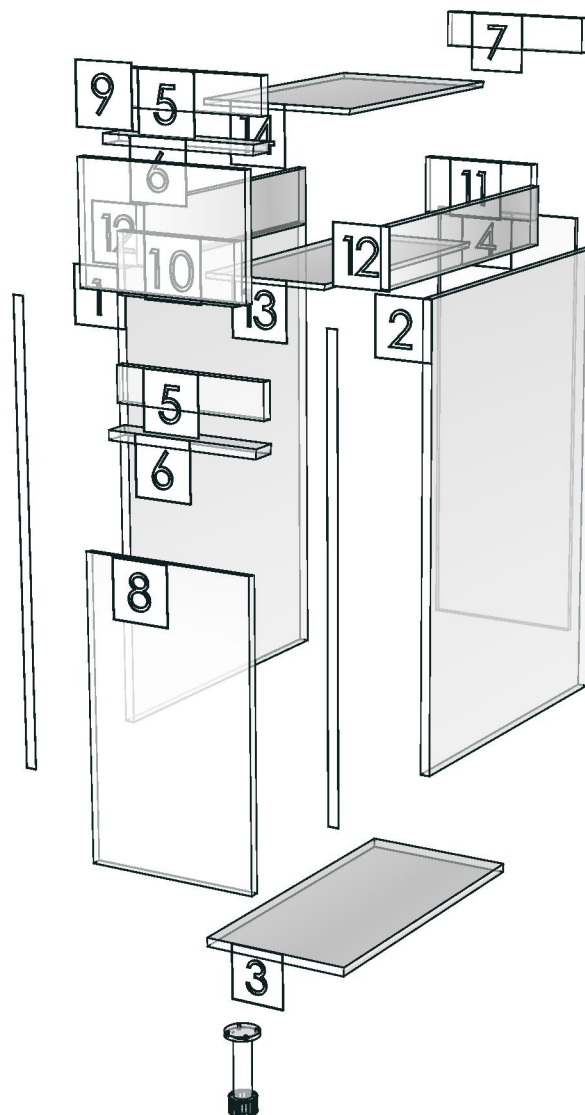
Function

สินค้าตรงตัวอย่าง

ผู้ทบทวน \_\_\_\_\_



<b>Model</b>	-ESCENT_PK2_DB301LGRSR		
<b>Creator</b>		<b>.BCP Name</b>	INDEX_C3D_KITCHEN2
<b>Reviewer</b>		<b>Order</b>	I003118
<b>Approves</b>		<b>Date</b>	



<b>Model</b>	ESCENT_PK2_DBS50RGL		
<b>Creator</b>	PASATHORN	<b>.BCP Name</b>	INDEX_C3D_KITCHEN2
<b>Reviewer</b>		<b>Order</b>	I003119
<b>Approves</b>	P.SAWAI	<b>Date</b>	22/05/2024

## ESCENT\_PK2\_DBS50RGL-500X570X922

### Colour

05.30 ML WHITE SAND #VM1012/2610/2610(PEARL)\_

05.79 ML.NATURAL ASH (VM20682/2097/2097)\_

-

-

K1R-160137711

### Edge

01.47 1 WHITE \_

01.421 1 NATURAL ASH (DA56-11001-M0) \_

-

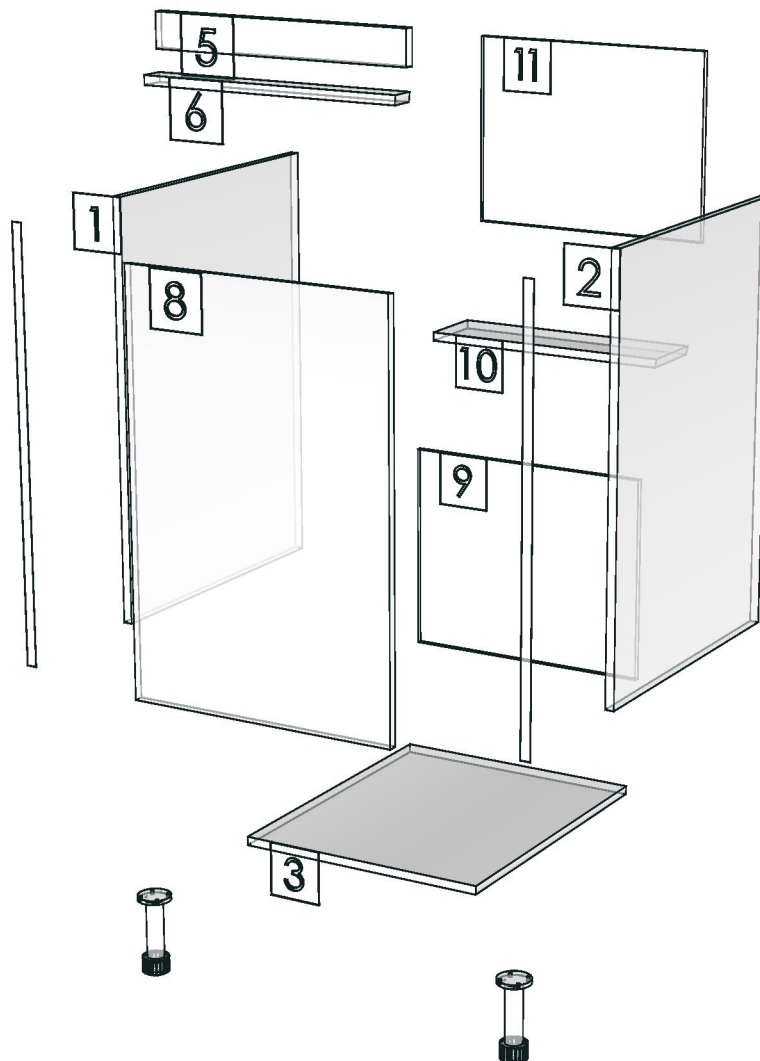
-

-

<b>R&amp;D REVIEW</b>	
<input checked="" type="checkbox"/>	DWG.Customer
<input checked="" type="checkbox"/>	Work Report
<input type="checkbox"/>	Function
<input type="checkbox"/>	สินค้าตรงตัวอย่าง
ผู้ทบทวน <u>P.SAWAI</u>	
<u>22/05/2024</u>	



<b>Model</b>	-ESCENT_PK2_DBS50RGL		
<b>Creator</b>		<b>.BCP Name</b>	INDEX_C3D_KITCHEN2
<b>Reviewer</b>		<b>Order</b>	I003119
<b>Approves</b>	P. SAWAI	<b>Date</b>	



<b>Model</b>	ESCENT_PK2_DEPB		
<b>Creator</b>	PASATHORN	<b>.BCP Name</b>	INDEX_C3D_KITCHEN2
<b>Reviewer</b>		<b>Order</b>	I003113
<b>Approves</b>	P.SAWAI	<b>Date</b>	21/05/2024

## ESCENT\_PK2\_DEPB-16X590X772

### Colour

05.79 ML.NATURAL ASH (VM20682/2097/2097)\_

-

-

-

K1L-160170387\_ED



K1R-160137711

K2L-160168268

K2R-160137719

K3L-160169110

K3R-160170395\_ED



### Edge

01.421 1 NATURAL ASH (DA56-11001-M0) \_

-

-

-

-

-

<b>R&amp;D REVIEW</b>	
<input checked="" type="checkbox"/>	DWG.Customer
<input checked="" type="checkbox"/>	Work Report
<input type="checkbox"/>	Function
<input type="checkbox"/>	สินค้าตรงตัวอย่าง
ผู้ทบทวน <u>P.SAWAI</u>	
<u>21/5/24</u>	



<b>Model</b>	ESCENT_PK2_DEPB		
<b>Creator</b>	PASATHORN	<b>.BCP Name</b>	INDEX_C3D_KITCHEN2
<b>Reviewer</b>		<b>Order</b>	I003113
<b>Approves</b>	P. SAWAI	<b>Date</b>	21/05/2024

No.	Article No.	Description	Mat	Dimension	Cutting Size	Typepology	Skin
0	ESCENT_PK2_DEPB	ESCENT_PK2_DEPB		16x772x590			
	ESCENT_PK2_DEPB-01	DEP-SP_ED	PB-SP	16x590x772	16X588X770;L2:W2	181000_STR=05.79_EDG=NATURAL ASH-1	2



<b>Model</b>	ESCENT_PK2_DFB		
<b>Creator</b>	PASATHORN	<b>.BCP Name</b>	INDEX_C3D_KITCHEN2
<b>Reviewer</b>		<b>Order</b>	I003111
<b>Approves</b>	P.SAWAI	<b>Date</b>	21/05/2024

## ESCENT\_PK2\_DFB-150X16X772

### Colour

05.30 ML WHITE SAND #VM1012/2610/2610(PEARL)\_

05.79 ML.NATURAL ASH (VM20682/2097/2097)\_

-

-

K1L-160170387\_ED

K1R-160137711

K2L-160168268

K2R-160137719

K4L-160168276

### Edge

01.47 1 WHITE \_

01.421 1 NATURAL ASH (DA56-11001-M0)\_ED

-

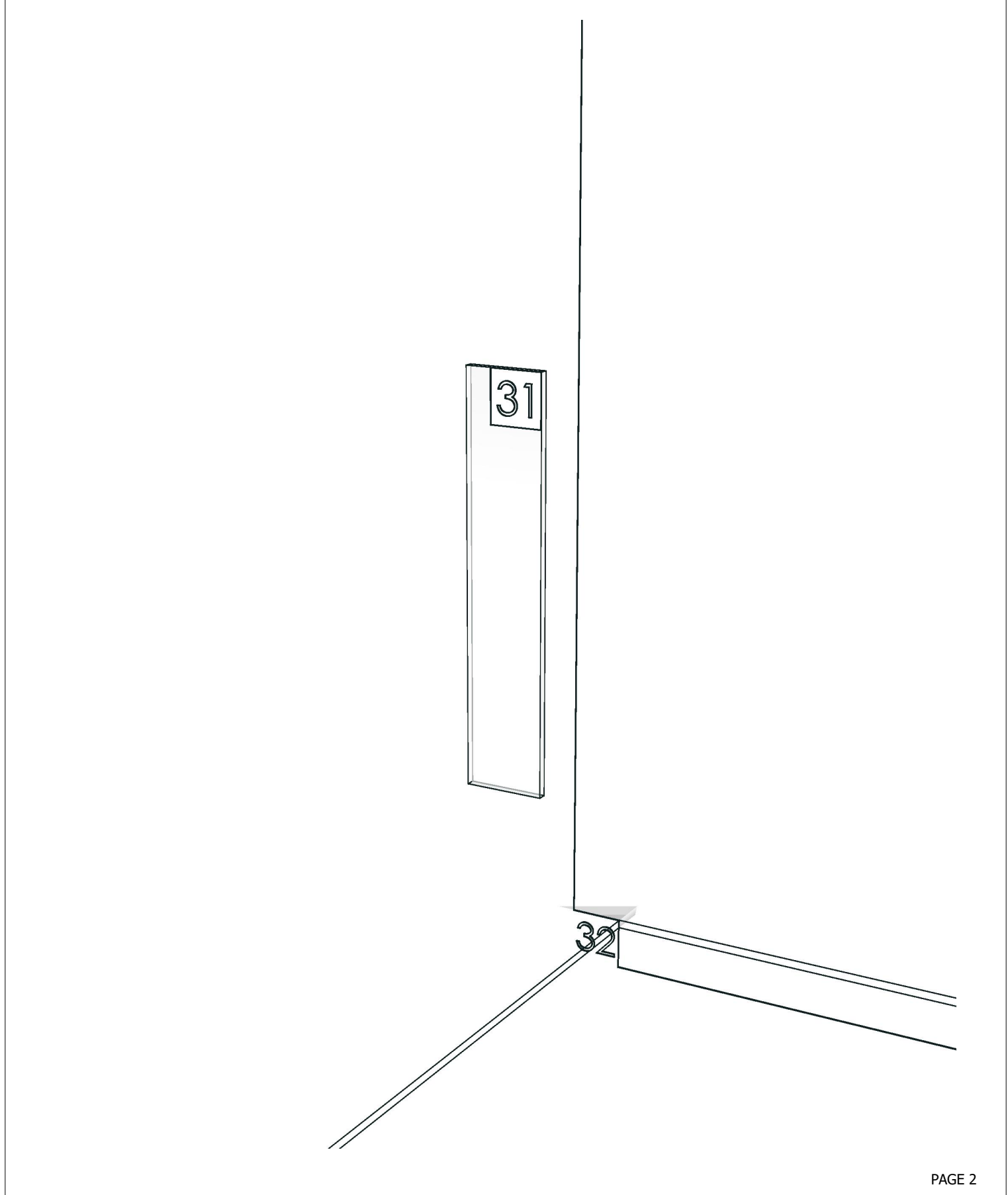
-

-

<b>R&amp;D REVIEW</b>	
<input checked="" type="checkbox"/>	DWG.Customer
<input checked="" type="checkbox"/>	Work Report
<input type="checkbox"/>	Function
<input type="checkbox"/>	สินค้าตรงตัวอย่าง
ผู้ทบทวน <u>P.SAWAI</u>	
<u>21/5/24</u>	



<b>Model</b>	-ESCENT_PK2_DFB		
<b>Creator</b>		<b>.BCP Name</b>	INDEX_C3D_KITCHEN2
<b>Reviewer</b>		<b>Order</b>	I003111
<b>Approves</b>	P.SAWAI	<b>Date</b>	



<b>Model</b>	ESCENT_PK2_DFLMV		
<b>Creator</b>	PASATHORN	<b>.BCP Name</b>	INDEX_C3D_KITCHEN2
<b>Reviewer</b>		<b>Order</b>	I003112
<b>Approves</b>	P.SAWAI	<b>Date</b>	21/05/2024

## ESCENT\_PK2\_DFLMV-150X16X800

### Colour

05.30 ML WHITE SAND #VM1012/2610/2610(PEARL)\_

-

-

-

K1L-160170387\_ED



K1R-160137711

K2L-160168268

K2R-160137719

K4L-160168276

### Edge

01.47 1 WHITE \_

-

-

-

-

-

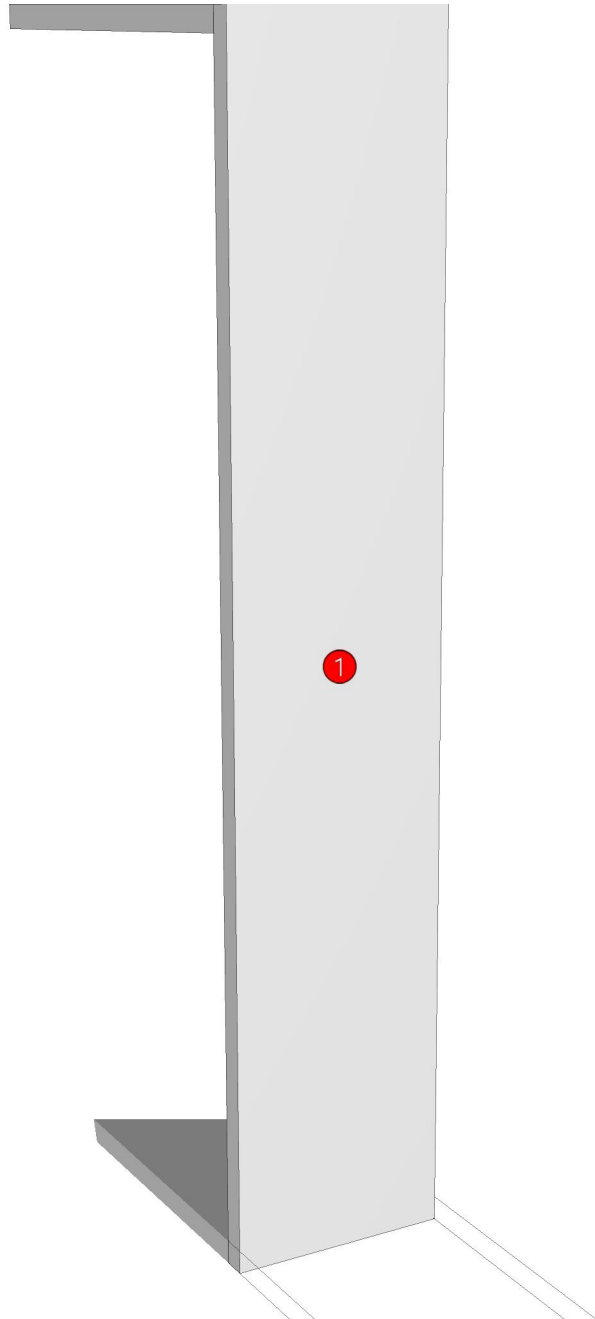
-

-

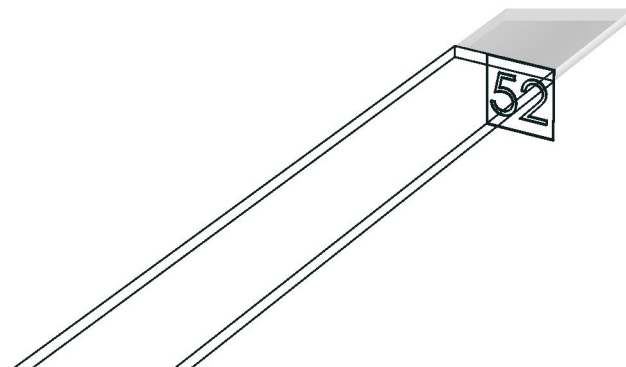
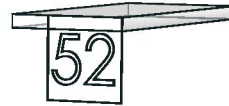
**R&D REVIEW**

- DWG.Customer
- Work Report
- Function
- สินค้าตรงตัวอย่าง

ผู้ทบทวน P.SAWAI  
21/05/2024



<b>Model</b>	-ESCENT_PK2_DFLMV		
<b>Creator</b>		<b>.BCP Name</b>	INDEX_C3D_KITCHEN2
<b>Reviewer</b>		<b>Order</b>	I003112
<b>Approves</b>	P. SAWAI	<b>Date</b>	



<b>Model</b>	ESCENT_PK2_DF_CL1550		
<b>Creator</b>	PASATHORN	<b>.BCP Name</b>	INDEX_C3D_KITCHEN2
<b>Reviewer</b>		<b>Order</b>	I003110
<b>Approves</b>	P.SAWAI	<b>Date</b>	21/05/2024

## ESCENT\_PK2\_DF\_CL1550-1550X9X370

**Colour**

05.30 ML WHITE SAND #VM1012/2610/2610(PEARL)\_

-

-

-

K1L-160170387\_ED



K1R-160137711

K2L-160168268

K2R-160137719

**Edge**

01.47 1 WHITE \_

-

-

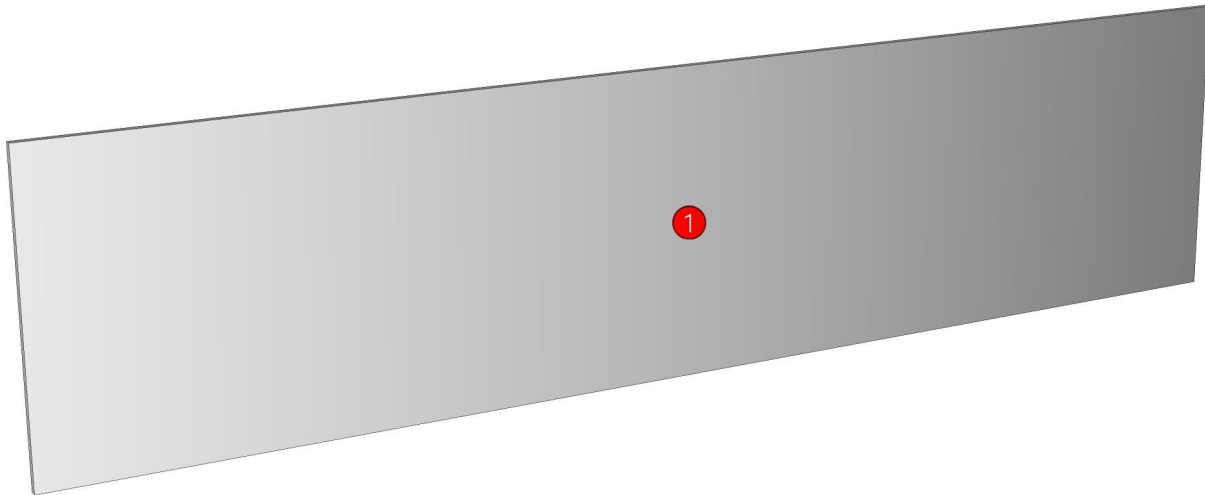
-

-

**R&D REVIEW**

- DWG.Customer
- Work Report
- Function
- สินค้าตรงตัวอย่าง

ผู้ทบทวน P.SAWAI  
21/05/2024



<b>Model</b>	ESCENT_PK2_DF_CL1550		
<b>Creator</b>	PASATHORN	<b>.BCP Name</b>	INDEX_C3D_KITCHEN2
<b>Reviewer</b>		<b>Order</b>	I003110
<b>Approves</b>	P. SAWAI	<b>Date</b>	21/05/2024

No.	Article No.	Description	Mat	Dimension	Cutting Size	Typepology	Skin
0	ESCENT_PK2_DF_ESCENT_PK2_DF_CL1550	ESCENT_PK2_DF_CL1550		1550x370x9			
	ESCENT_PK2_DF_CL1550-01	DF_CL-SP	PB-SP	9x370x1550	9X369X1549;L1:W1	183000 _STR=05.30 _EDG=WHITE-1	2

<b>Model</b>	ESCENT_PK2_DF_CL300		
<b>Creator</b>	PASATHORN	<b>.BCP Name</b>	INDEX_C3D_KITCHEN2
<b>Reviewer</b>		<b>Order</b>	I003108
<b>Approves</b>	P.SAWAI	<b>Date</b>	21/05/2024

## ESCENT\_PK2\_DF\_CL300-300X9X370

**Colour**

05.30 ML WHITE SAND #VM1012/2610/2610(PEARL)\_

-

-

-

K1L-160170387\_ED



K1R-160137711

K2L-160168268

K2R-160137719

K3L-160169110

K4L-160168276

**Edge**

01.47 1 WHITE \_

-

-

-

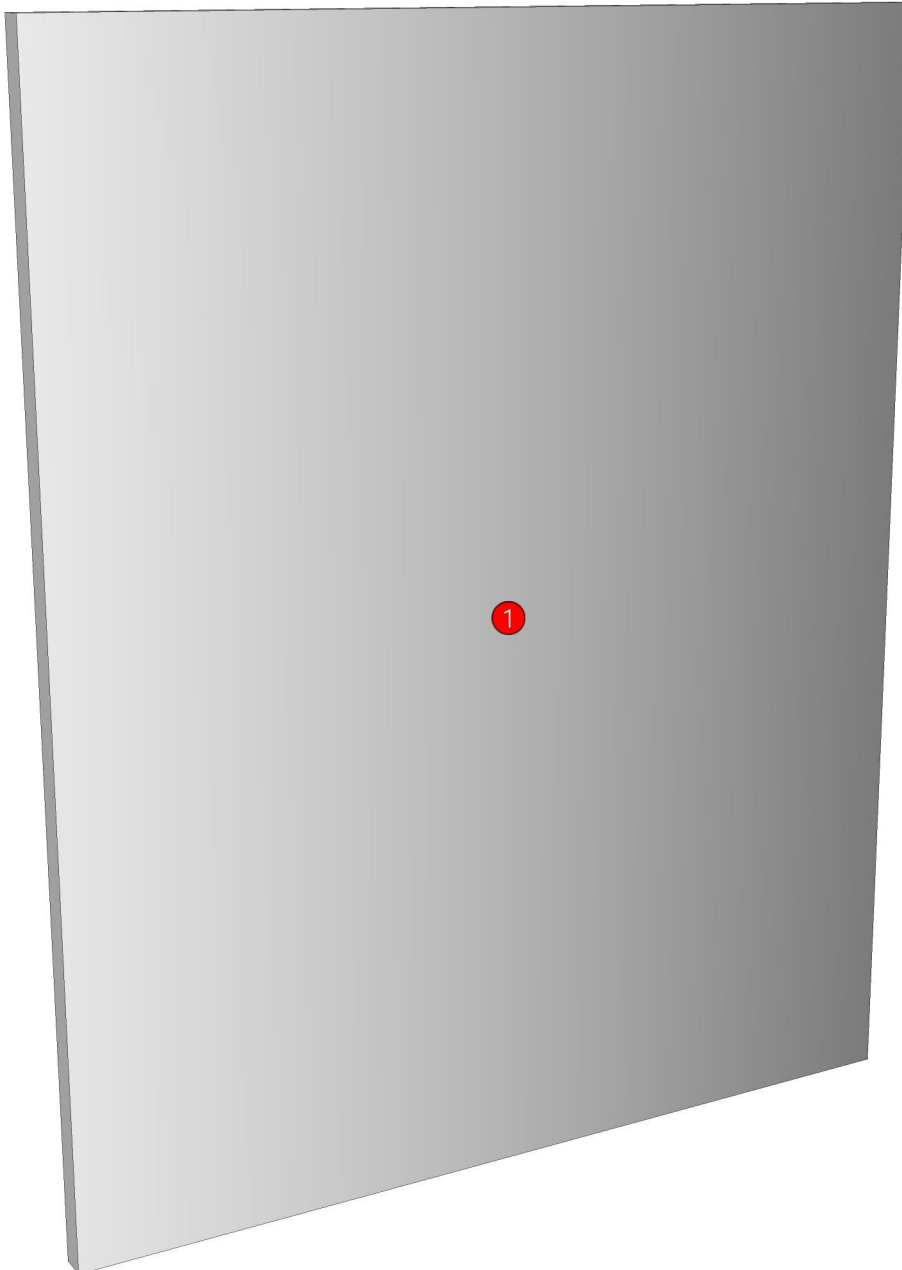
-

-

**R&D REVIEW**

- DWG.Customer
- Work Report
- Function
- สินค้าตรงตัวอย่าง

ผู้ทบทวน P.SAWAI  
21/05/2024



<b>Model</b>	ESCENT_PK2_DF_CL300		
<b>Creator</b>	PASATHORN	<b>.BCP Name</b>	INDEX_C3D_KITCHEN2
<b>Reviewer</b>		<b>Order</b>	I003108
<b>Approves</b>	P. SAWAI	<b>Date</b>	21/05/2024

No.	Article No.	Description	Mat	Dimension	Cutting Size	Typepology	Skin
0	ESCENT_PK2_DF_01	ESCENT_PK2_DF_CL300	PB-SP	300x370x9	9X369X299;L1:W1	183000 _STR=05.30 _EDG=WHITE-1	2

<b>Model</b>	ESCENT_PK2_DL25L		
<b>Creator</b>	PASATHORN	<b>.BCP Name</b>	INDEX_C3D_KITCHEN2
<b>Reviewer</b>		<b>Order</b>	I003115
<b>Approves</b>	P.SAWAI	<b>Date</b>	21/05/2024

## ESCENT\_PK2\_DL25L-250X300X640

**Colour**

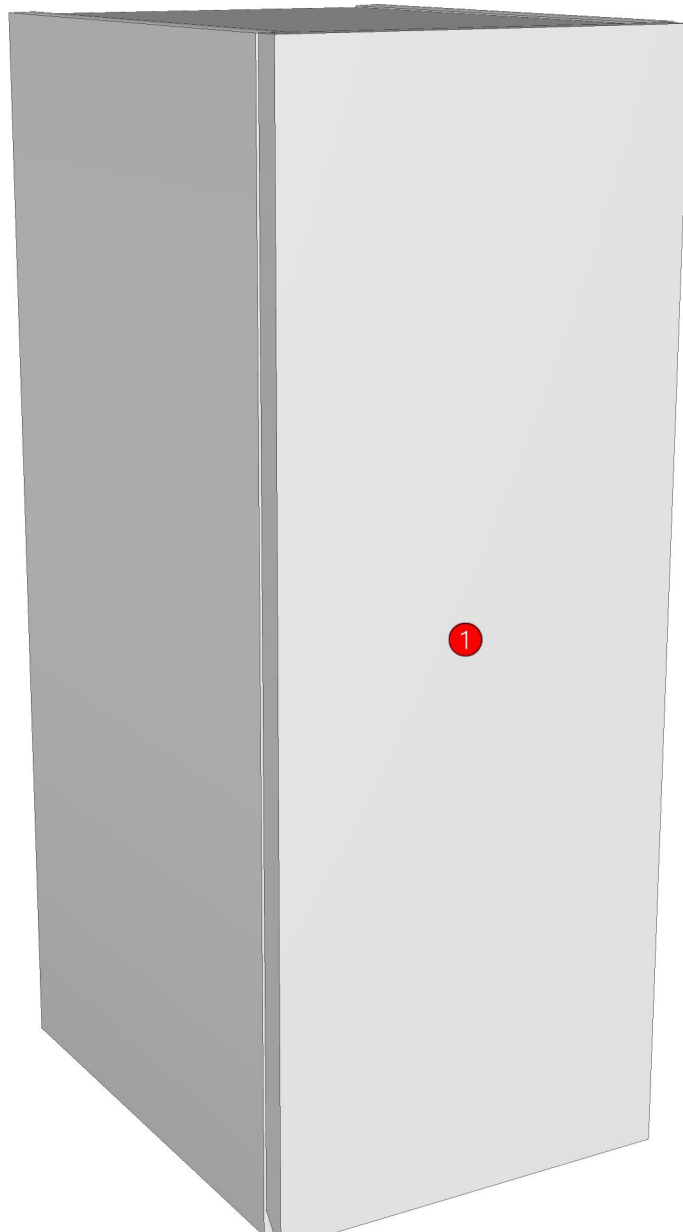
05.30=ML WHITE SAND #VM1012/2610/2610(PEARL)

**Edge**

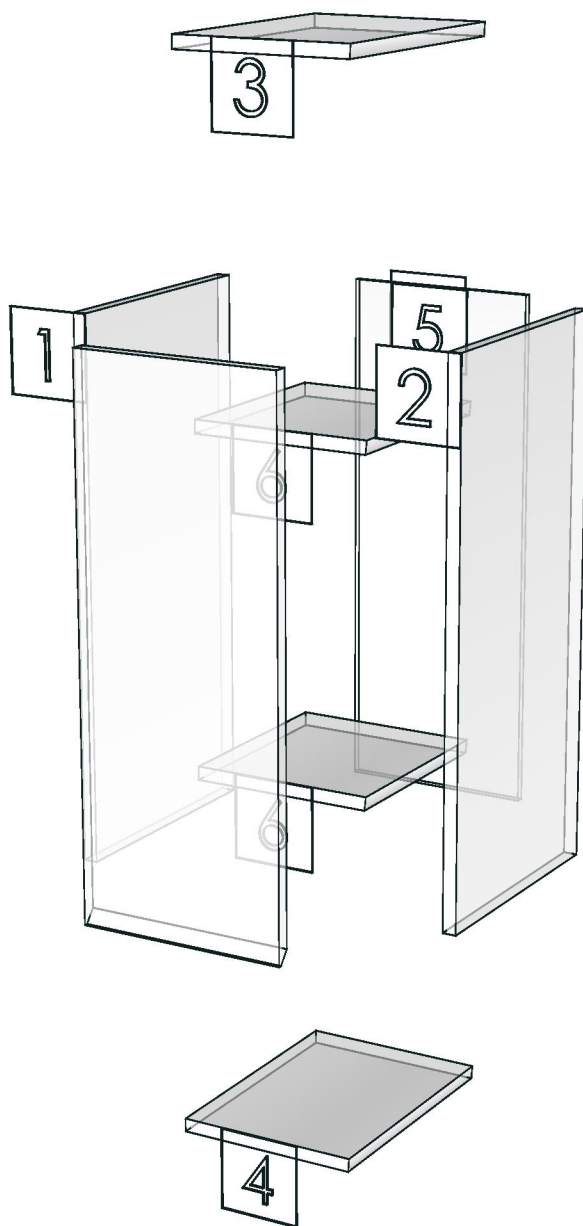
01.47=1 WHITE

K2R-160137719

<b>R&amp;D REVIEW</b>	
<input checked="" type="checkbox"/>	DWG.Customer
<input checked="" type="checkbox"/>	Work Report
<input type="checkbox"/>	Function
<input type="checkbox"/>	สินค้าตรงตัวอย่าง
ผู้ทบทวน <u>P.SAWAI</u>	
<u>21/5/24</u>	



<b>Model</b>	-ESCENT_PK2_DL25L		
<b>Creator</b>		<b>.BCP Name</b>	INDEX_C3D_KITCHEN2
<b>Reviewer</b>		<b>Order</b>	I003115
<b>Approves</b>		<b>Date</b>	



<b>Model</b>	ESCENT_PK2_DL60HL		
<b>Creator</b>	PASATHORN	<b>.BCP Name</b>	INDEX_C3D_KITCHEN2
<b>Reviewer</b>		<b>Order</b>	I003116
<b>Approves</b>	P-SAWAI	<b>Date</b>	21/05/2024

## ESCENT\_PK2\_DL60HL-600X300X600

**Colour**

05.30 ML WHITE SAND #VM1012/2610/2610(PEARL)\_

-

-

-

K1R-160137711 \_\_\_\_\_ K2R-160137719

**Edge**

01.47 1 WHITE \_

-

-

-

-

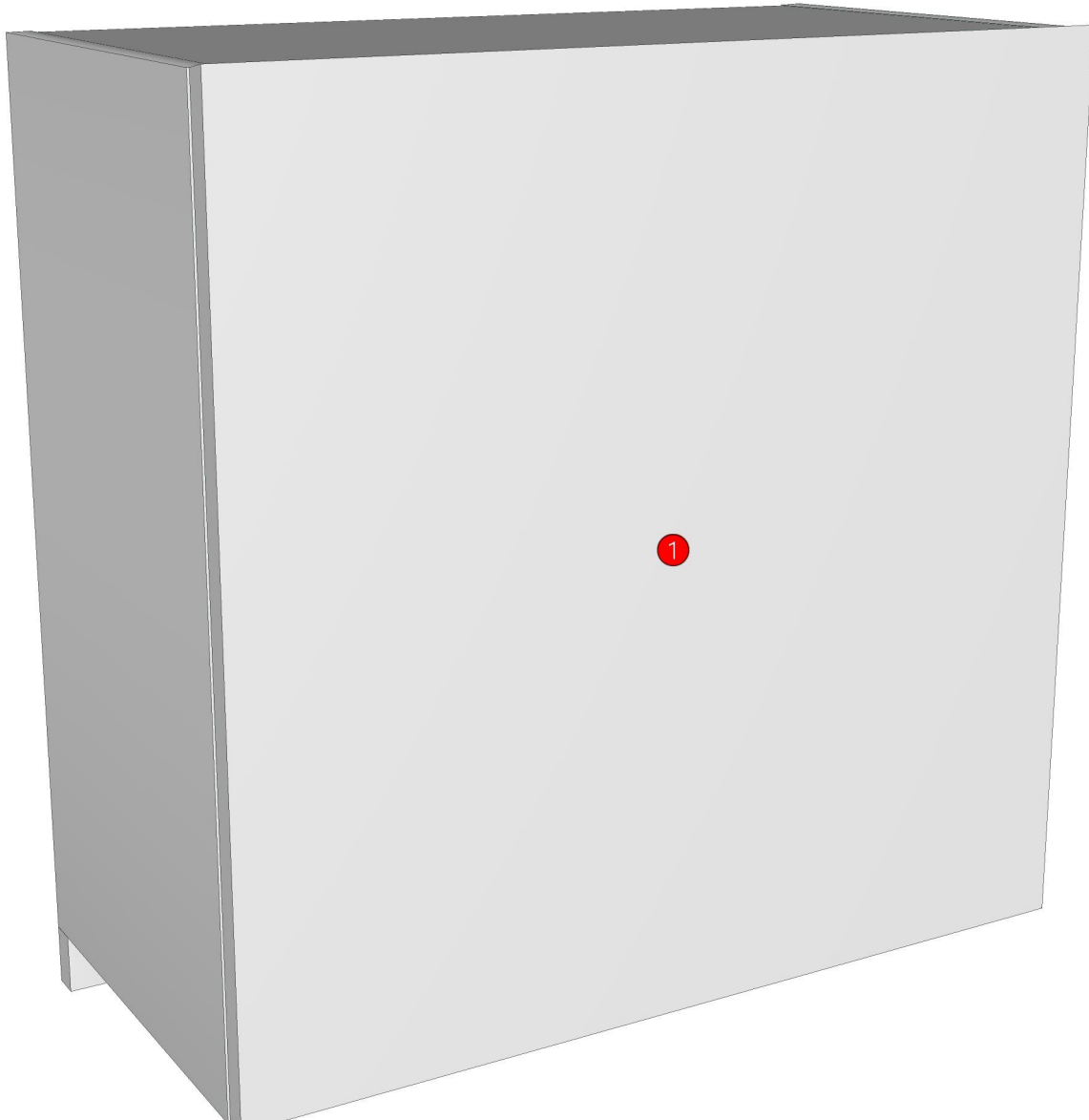
K3L-160169110  
K4L-160168276



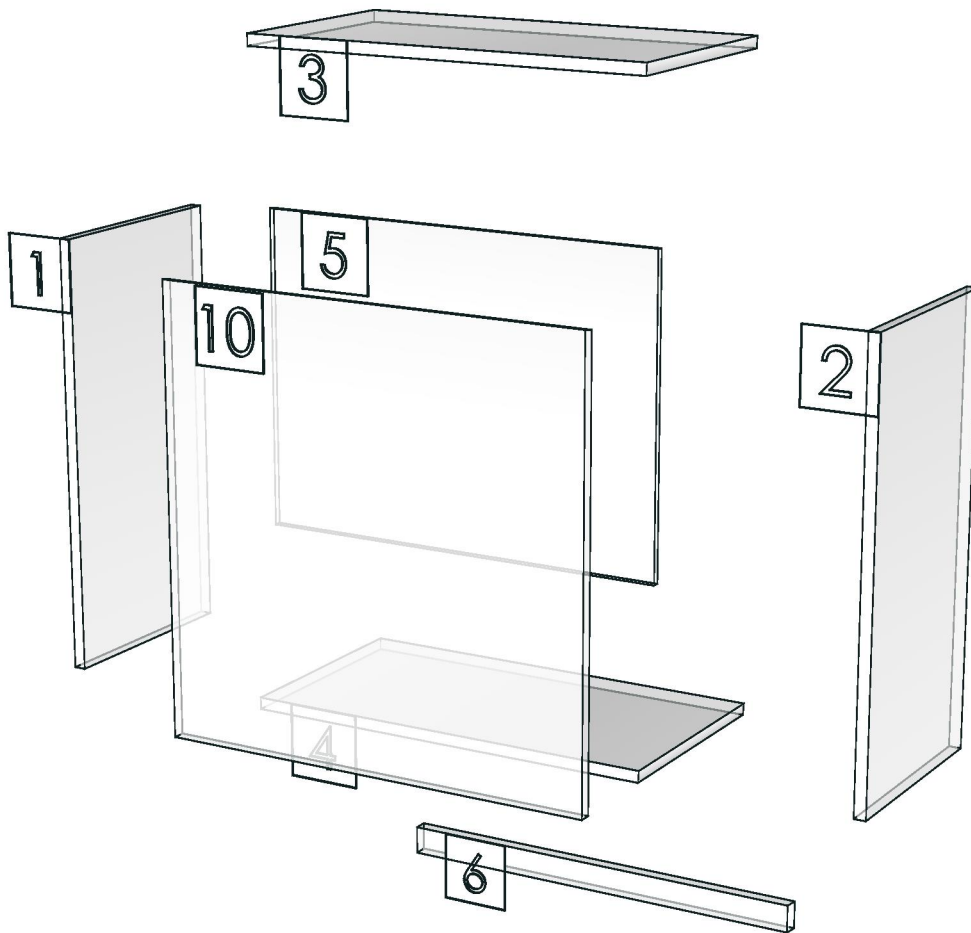
**R&D REVIEW**

- DWG.Customer
- Work Report
- Function
- สินค้าตรงตัวอย่าง

ผู้ทบทวน P-SAWAI  
21/05/2024



<b>Model</b>	-ESCENT_PK2_DL60HL		
<b>Creator</b>		<b>.BCP Name</b>	INDEX_C3D_KITCHEN2
<b>Reviewer</b>		<b>Order</b>	I003116
<b>Approves</b>		<b>Date</b>	



<b>Model</b>	ESCENT_PK2_DLMV60R		
<b>Creator</b>	PASATHORN	<b>.BCP Name</b>	INDEX_C3D_KITCHEN2
<b>Reviewer</b>		<b>Order</b>	I003117
<b>Approves</b>	P-SAWAI	<b>Date</b>	21/05/2024

## ESCENT\_PK2\_DLMV60R-600X350X800

**Colour**  
05.30 ML WHITE SAND #VM1012/2610/2610(PEARL)\_

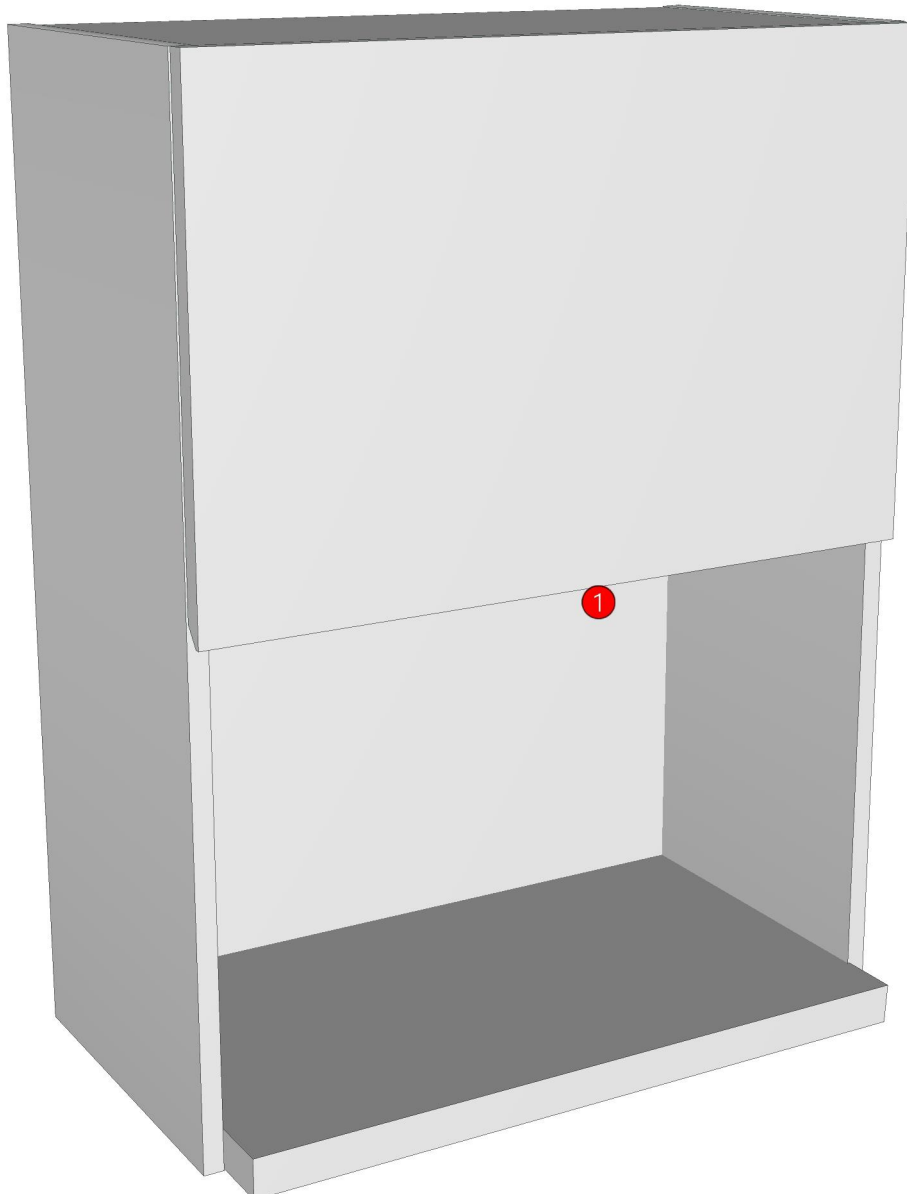
**Edge**  
01.47 1 WHITE \_

<b>R&amp;D REVIEW</b>	
<input checked="" type="checkbox"/>	DWG.Customer
<input checked="" type="checkbox"/>	Work Report
<input type="checkbox"/>	Function
<input type="checkbox"/>	สินค้าตรงตัวอย่าง
ผู้ทบทวน <u>P-SAWAI</u>	
<u>21/05/2024</u>	

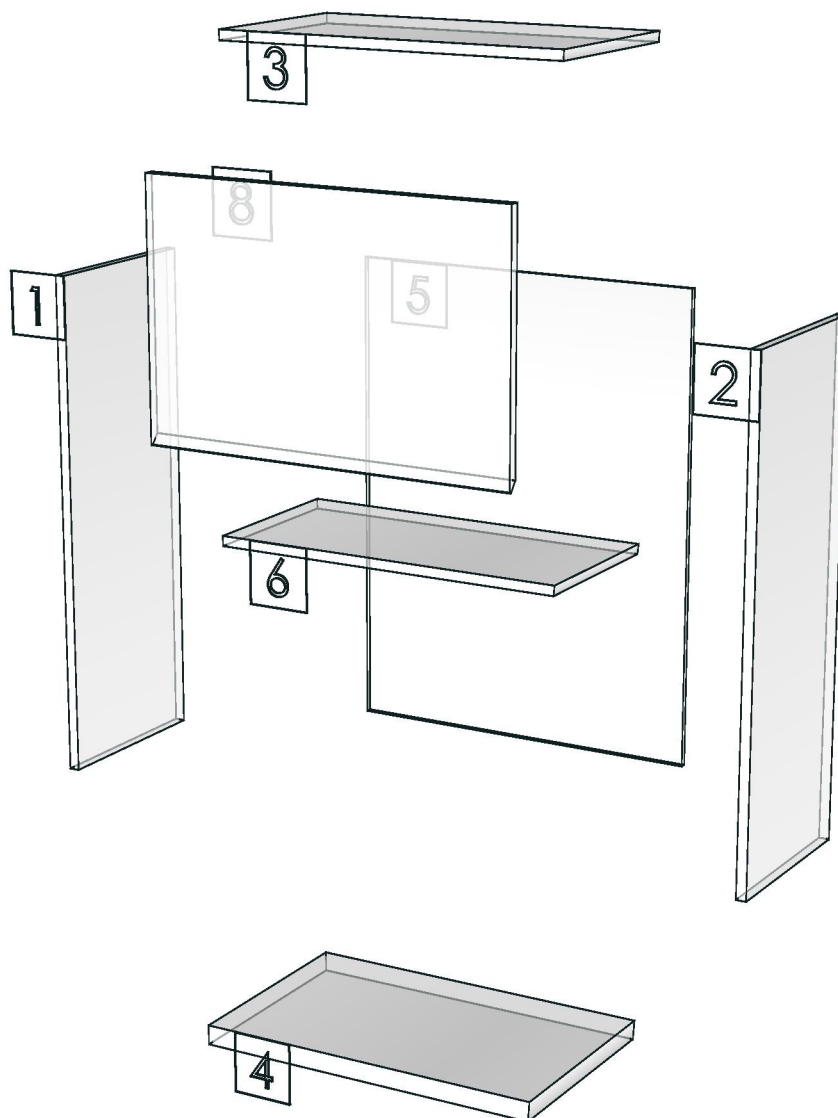
K2R-160137719

K3R-160170395\_ED

K4L-160168276



<b>Model</b>	-ESCENT_PK2_DLMV60R		
<b>Creator</b>		<b>.BCP Name</b>	INDEX_C3D_KITCHEN2
<b>Reviewer</b>		<b>Order</b>	I003117
<b>Approves</b>	P.SAWAI	<b>Date</b>	



<b>Model</b>	ESCENT_PK2_DUT1500		
<b>Creator</b>	PASATHORN	<b>.BCP Name</b>	INDEX_C3D_KITCHEN2
<b>Reviewer</b>		<b>Order</b>	I003106
<b>Approves</b>	P.SAWAI	<b>Date</b>	21/05/2024

## ESCENT\_PK2\_DUT1500-1500X60X9

### Colour

05.01 ML WHITE VM1012 18/18\_

-

-

-

K1L-160170387\_ED



K1R-160137711

K2L-160168268

K2R-160137719

### Edge

01.47 1 WHITE \_

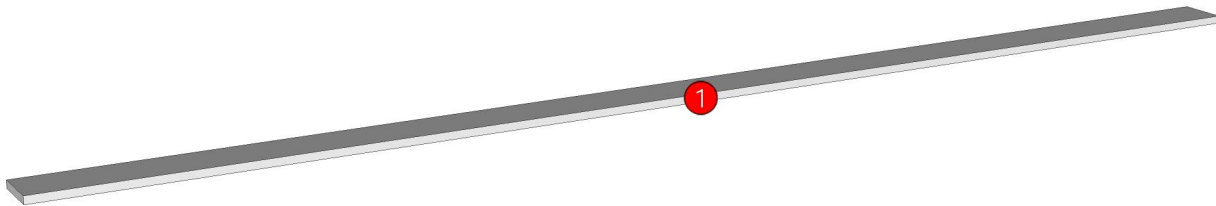
-

-

-

-

<b>R&amp;D REVIEW</b>	
<input checked="" type="checkbox"/>	DWG.Customer
<input checked="" type="checkbox"/>	Work Report
<input type="checkbox"/>	Function
<input type="checkbox"/>	สินค้าตรงตัวอย่าง
ผู้ทบทวน <u>P.SAWAI</u>	
<u>21/5/24</u>	



<b>Model</b>	ESCENT_PK2_DUT1500		
<b>Creator</b>	PASATHORN	<b>.BCP Name</b>	INDEX_C3D_KITCHEN2
<b>Reviewer</b>		<b>Order</b>	I003106
<b>Approves</b>	P. SAWAI	<b>Date</b>	21/05/2024

No.	Article No.	Description	Mat	Dimension	Cutting Size	Typepology	Skin
0	ESCENT_PK2_DUT1500	ESCENT_PK2_DUT1500		1500x9x60			
	ESCENT_PK2_DUT1500-01	DUT-SP	PB-SP	9x60x1500	9X58X1500;L2:W0	182000 _STR=05.01 _EDG=WHITE-1	2

<b>Model</b>	ESCENT_PK2_DUT500		
<b>Creator</b>	PASATHORN	<b>.BCP Name</b>	INDEX_C3D_KITCHEN2
<b>Reviewer</b>		<b>Order</b>	I003107
<b>Approves</b>	P.SAWAI	<b>Date</b>	21/05/2024

## ESCENT\_PK2\_DUT500-500X60X9

### Colour

05.01 ML WHITE VM1012 18/18\_

-

-

-

K1L-160170387\_ED



K1R-160137711

K2L-160168268

K2R-160137719

K3L-160169110

K3R-160170395\_ED



K4L-160168276

### Edge

01.47 1 WHITE \_

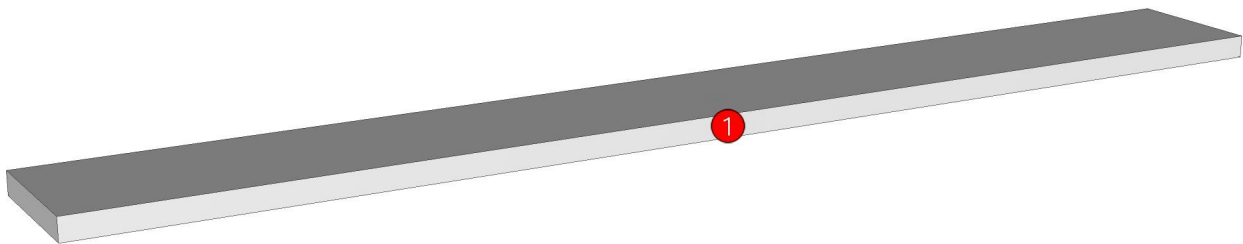
-

-

-

-

<b>R&amp;D REVIEW</b>	
<input checked="" type="checkbox"/>	DWG.Customer
<input checked="" type="checkbox"/>	Work Report
<input type="checkbox"/>	Function
<input type="checkbox"/>	สินค้าตรงตัวอย่าง
ผู้ทบทวน <u>P.SAWAI</u>	
<u>21/5/24</u>	



<b>Model</b>	ESCENT_PK2_DUT500		
<b>Creator</b>	PASATHORN	<b>.BCP Name</b>	INDEX_C3D_KITCHEN2
<b>Reviewer</b>		<b>Order</b>	I003107
<b>Approves</b>	P. SAWAI	<b>Date</b>	21/05/2024

No.	Article No.	Description	Mat	Dimension	Cutting Size	Typepology	Skin
0	ESCENT_PK2_DUT500 ESCENT_PK2_DUT500-01	ESCENT_PK2_DUT500 DUT-SP	PB-SP	500x9x60 9x60x500	9X58X500;L2:W0	182000 _STR=05.01 _EDG=WHITE-1	2

<b>Model</b>	ESCENT_PK2_D_FLR650S		
<b>Creator</b>	PASATHORN	<b>.BCP Name</b>	INDEX_C3D_KITCHEN2
<b>Reviewer</b>		<b>Order</b>	I003114
<b>Approves</b>		<b>Date</b>	21/05/2024

## **ESCENT\_PK2\_D\_FLR650S-650X570X922**

### **Colour**

05.30 ML WHITE SAND #VM1012/2610/2610(PEARL)\_

05.79 ML.NATURAL ASH (VM20682/2097/2097)\_

-

-

K1L-160170387

K1R-160137711

K2L-160168268

K2R-160137719

### **Edge**

01.47 1 WHITE \_

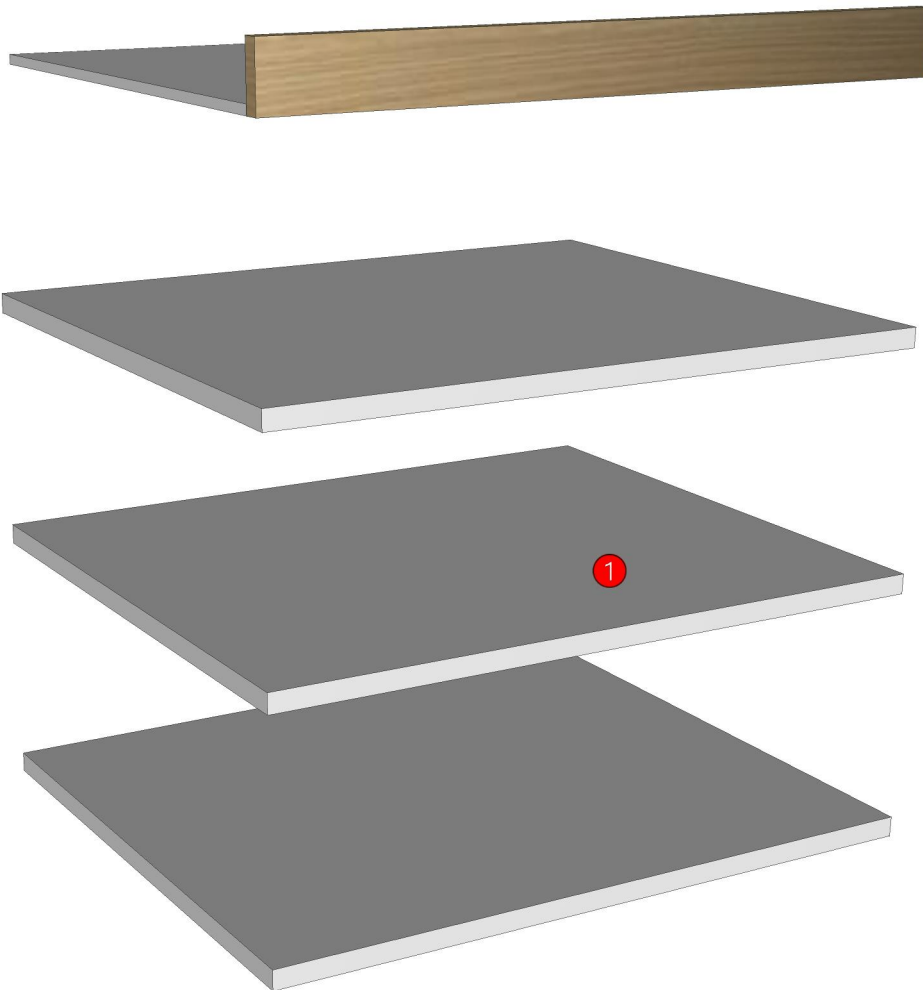
01.421 1 NATURAL ASH (DA56-11001-M0) \_

-

-

-

<b>R&amp;D REVIEW</b>	
<input checked="" type="checkbox"/>	DWG.Customer
<input checked="" type="checkbox"/>	Work Report
<input type="checkbox"/>	Function
<input type="checkbox"/>	สินค้าตรงตัวอย่าง
ผู้ทบทวน _____	



<b>Model</b>	-ESCENT_PK2_D_FLR650S		
<b>Creator</b>		<b>.BCP Name</b>	INDEX_C3D_KITCHEN2
<b>Reviewer</b>		<b>Order</b>	I003114
<b>Approves</b>		<b>Date</b>	

