

Model	VEHHA_DB150L	Name	INDEX_C3D_KITCHENPAE
Creator	SUTTHI.P	Order	O001861
Reviewer		Date	04/09/2024
Approves			

VEHHA_DB150L-1500X570X930

Colour

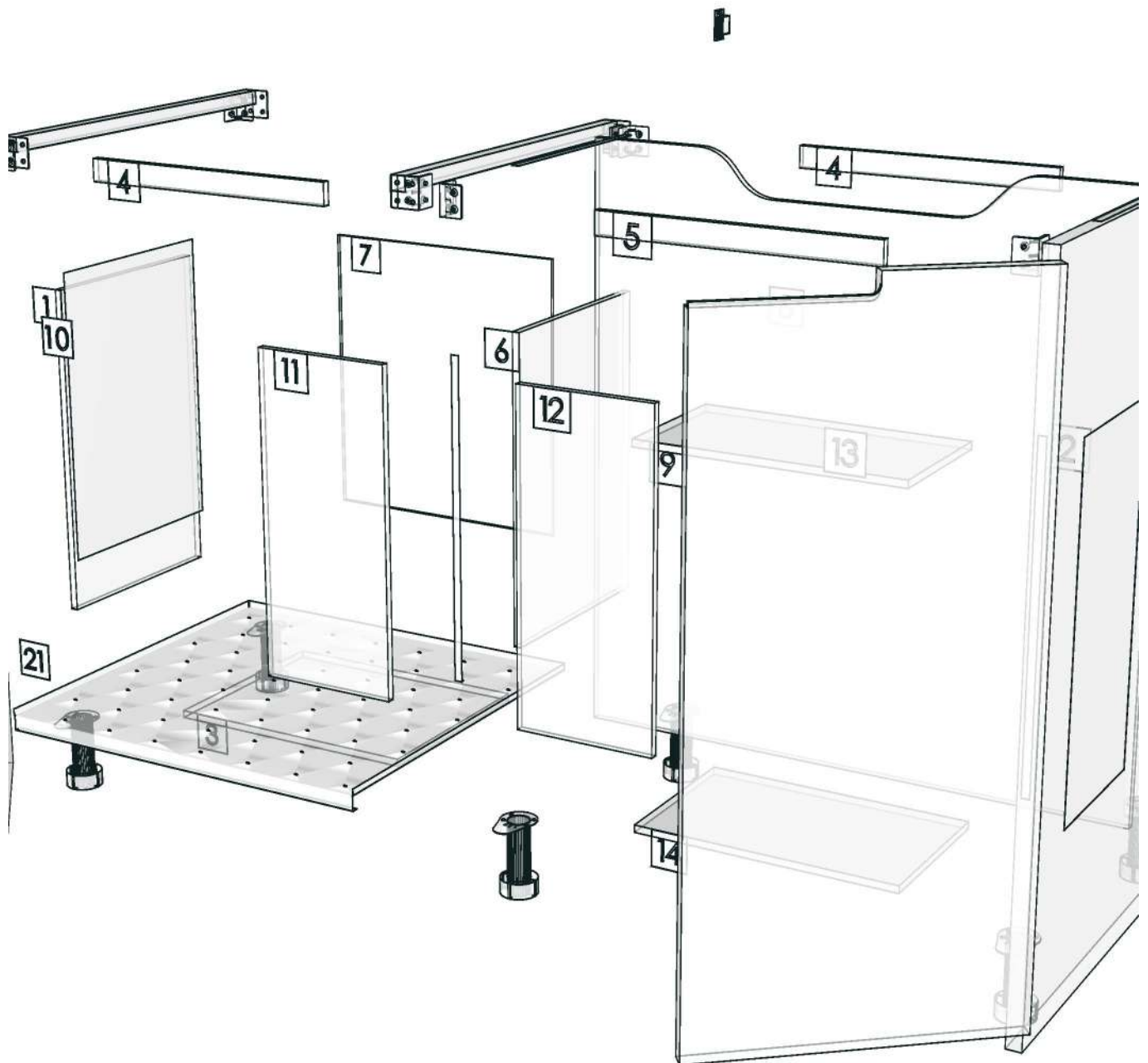
04.751=LAMINATE HPL # EWW9970YS (WET PROTECT)
04.752=LAMINATE WILMIKA HPL # 2905-86 (WET PROTECT)
04.753=LAMINATE HPL # EWW9970YS / HPL # 2905-86 (WET PROT

Edge

01.440=1 EWW9970NT (MW40-A1746TH00)
01.196=1 ML.LIGHT GREY(VM 1031.MD203)P6-001332M1



Model	-VEHHA_DB150L	Name	INDEX_C3D_KITCHENPAE
Creator	SUTTHI.P	Order	O001861
Reviewer		Date	04/09/2024
Approves			



Model	VEHHA_DBO70R		
Creator	SUTTHI.P	Name	INDEX_C3D_KITCHENPAE
Reviewer		Order	O001880
Approves		Date	06/09/2024

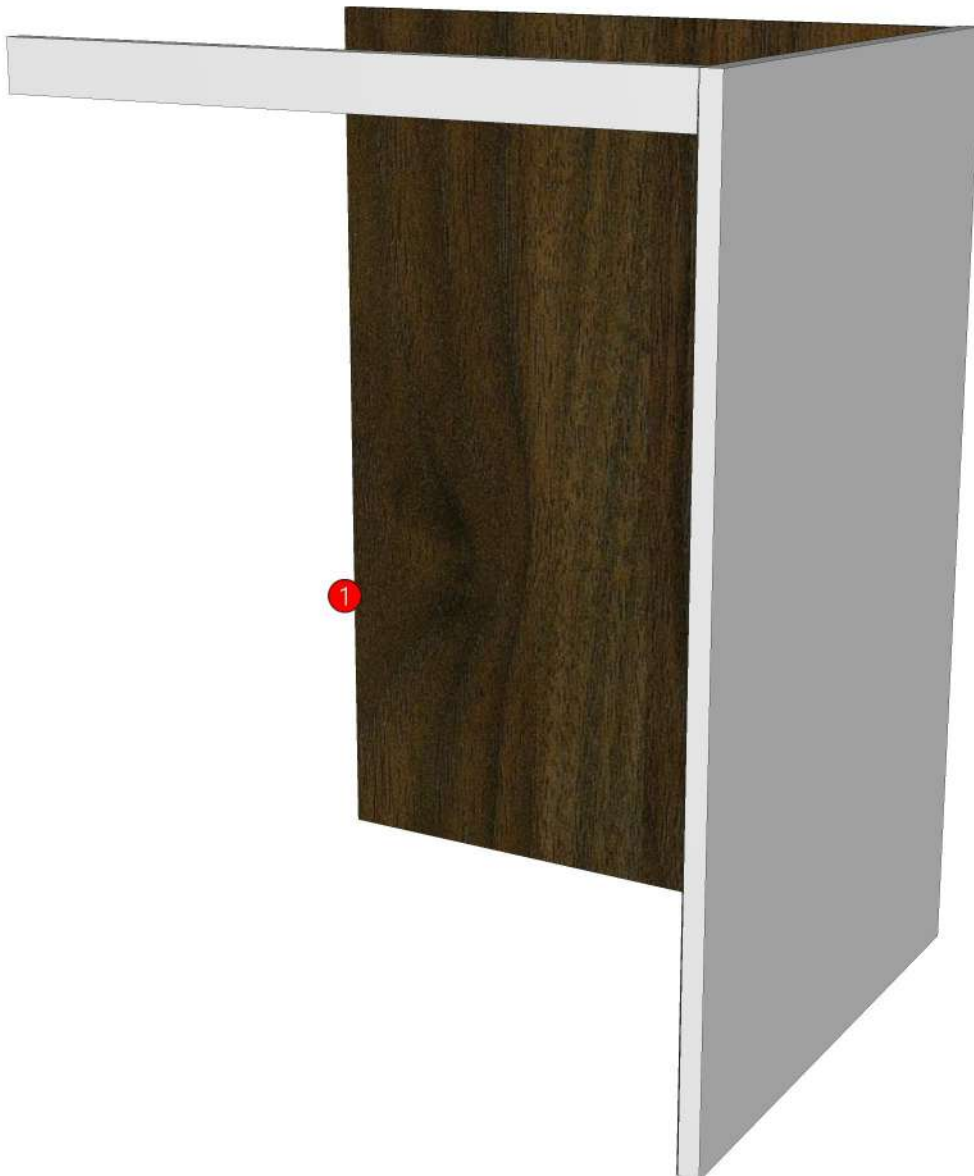
VEHHA_DBO70R-700X570X930

Colour

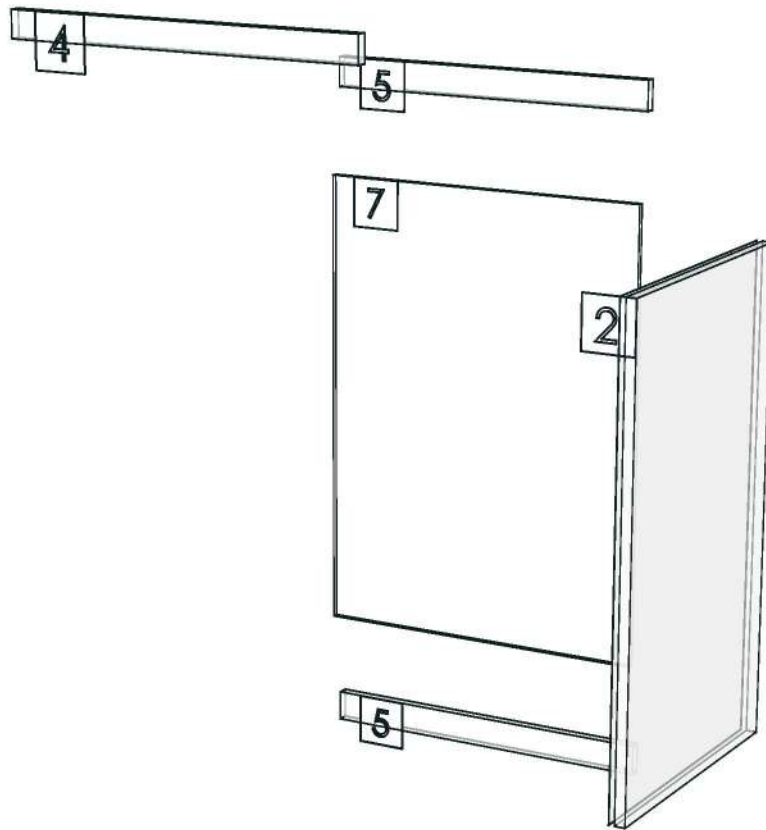
04.751=LAMINATE HPL # EWW9970YS (WET PROTECT)
04.752=LAMINATE WILMIKA HPL # 2905-86 (WET PROTECT)
04.753=LAMINATE HPL # EWW9970YS / HPL # 2905-86 (WET PROT

Edge

01.440=1 EWW9970NT (MW40-A1746TH00)
01.196=1 ML.LIGHT GREY(VM 1031.MD203)P6-001332M1



Model	-VEHHA_DBO70R		
Creator	SUTTHI.P	Name	INDEX_C3D_KITCHENPAE
Reviewer		Order	O001880
Approves		Date	06/09/2024



Model	VEHHA_DL150LS		
Creator	SUTTHI.P	Name	INDEX_C3D_KITCHENPAE
Reviewer		Order	O001896
Approves		Date	10/09/2024

VEHHA_DL150LS-1500X330X820

Colour

04.751=LAMINATE HPL # EWW9970YS (WET PROTECT)

04.752=LAMINATE WILMIKA HPL # 2905-86 (WET PROTECT)

04.753=LAMINATE HPL # EWW9970YS / HPL # 2905-86 (WET PROT

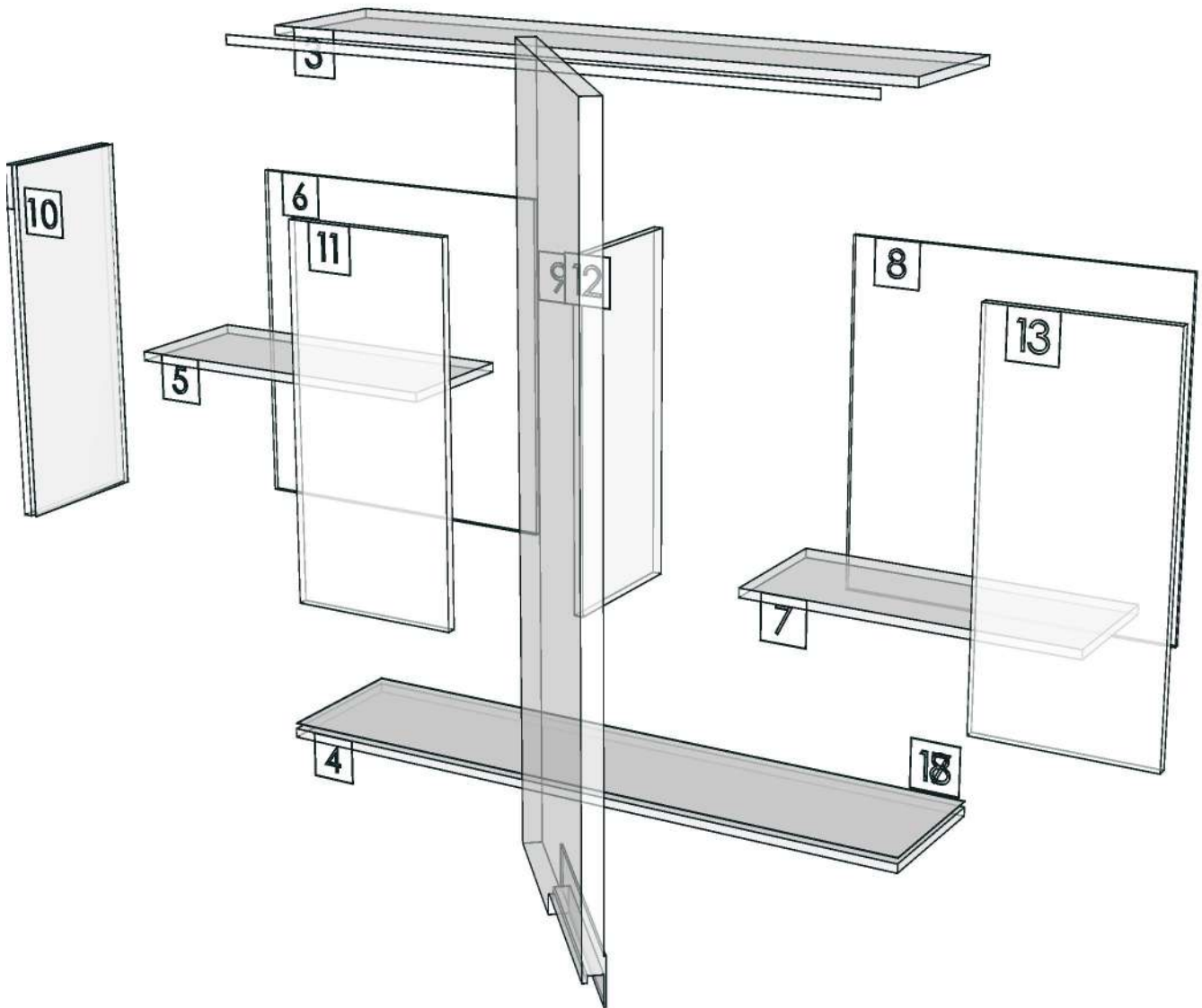
Edge

04.111=0.8 HPL EWW9970YS

04.112=0.8 HPL 2905-86



Model	-VEHHA_DL150LS		
Creator	SUTTHI.P	Name	INDEX_C3D_KITCHENPAE
Reviewer		Order	O001896
Approves		Date	10/09/2024



Model	VEHHA_DL70HRS		
Creator	SUTTHI.P	Name	INDEX_C3D_KITCHENPAE
Reviewer		Order	O001912
Approves		Date	12/09/2024

VEHHA_DL70HRS-700X330X780

Colour

04.751=LAMINATE HPL # EWW9970YS (WET PROTECT)
04.752=LAMINATE WILMIKA HPL # 2905-86 (WET PROTECT)
04.753=LAMINATE HPL # EWW9970YS / HPL # 2905-86 (WET PROT

Edge

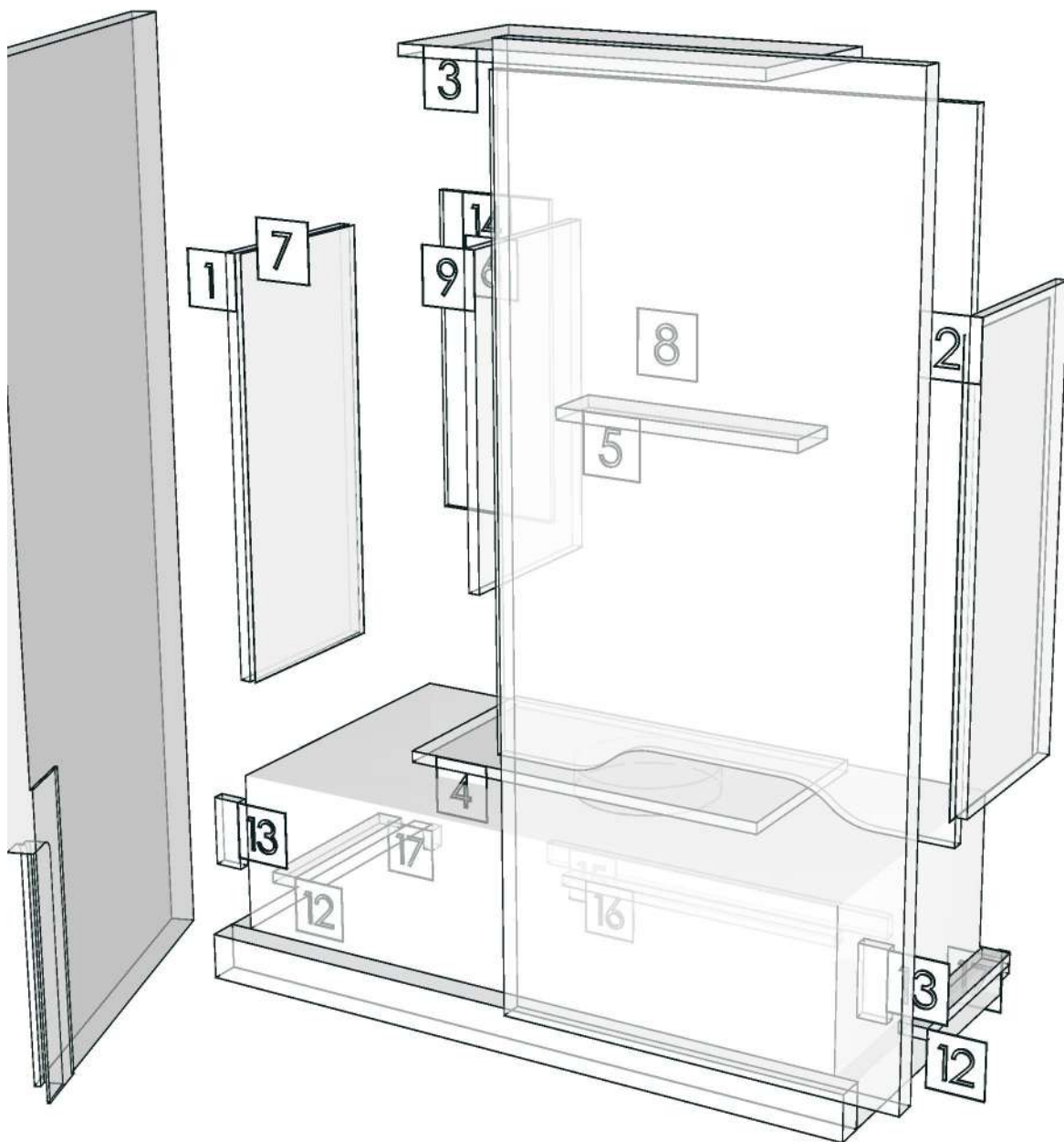
04.111=0.8 HPL EWW9970YS
04.112=0.8 HPL 2905-86

K11L 160147989

K20L 160135213



Model	-VEHHA_DL70HRS	Name	INDEX_C3D_KITCHENPAE
Creator	SUTTHI.P	Order	O001912
Reviewer		Date	12/09/2024
Approves			



Model	VEHHA_DFCL_2300	Name	INDEX_C3D_KITCHENPAE
Creator	SUTTHI.P	Order	O001954
Reviewer		Date	30/09/2024
Approves	<i>P. SAWA</i>		

VEHHA_DFCL_2300-2300X20X150

Colour

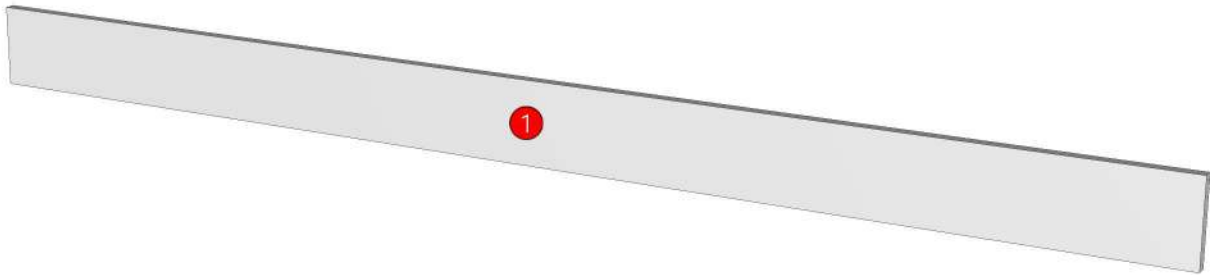
04.751=LAMINATE HPL # EWW9970YS (WET PROTECT)
04.752=LAMINATE WILMIKA HPL # 2905-86 (WET PROTECT)
04.753=LAMINATE HPL # EWW9970YS / HPL # 2905-86 (WET PROT

Edge

01.440=1 EWW9970NT (MW40-A1746TH00)
01.196=1 ML.LIGHT GREY(VM 1031.MD203)P6-001332M1

K20L 160135213

R&D REVIEW	
<input checked="" type="checkbox"/>	DWG.Customer
<input type="checkbox"/>	Work Report
<input type="checkbox"/>	Function
<input type="checkbox"/>	สินค้าตรงตัวอย่าง
ผู้ทบทวน <u>P.SAWA</u>	
____/____/____	



Model	-VEHHA_DFCL_2300		
Creator	SUTTHI.P	Name	INDEX_C3D_KITCHENPAE
Reviewer		Order	0001954
Approves	<i>P. SAWA</i>	Date	30/09/2024



Model	VEHHA_DFCL_380	Name	INDEX_C3D_KITCHENPAE
Creator	SUTTHI.P	Order	O001956
Reviewer		Date	30/09/2024
Approves	<i>P.SAWA I</i>		

VEHHA_DFCL_380-380X20X150

Colour

04.751=LAMINATE HPL # EWW9970YS (WET PROTECT)
04.752=LAMINATE WILMIKA HPL # 2905-86 (WET PROTECT)
04.753=LAMINATE HPL # EWW9970YS / HPL # 2905-86 (WET PROT

Edge

01.440=1 EWW9970NT (MW40-A1746TH00)
01.196=1 ML.LIGHT GREY(VM 1031.MD203)P6-001332M1

- | | |
|---------------|----------------|
| K1L 160135183 | K7R 160147951 |
| K1R 160147902 | K8R 160147959 |
| K2L 160147910 | K9R 160147971 |
| K2R 160147917 | K10R 160147980 |
| K3L 160147924 | K11L 160147989 |
| K5R 160147944 | K12R 160148004 |
| | K20L 160135213 |

R&D REVIEW

DWG.Customer

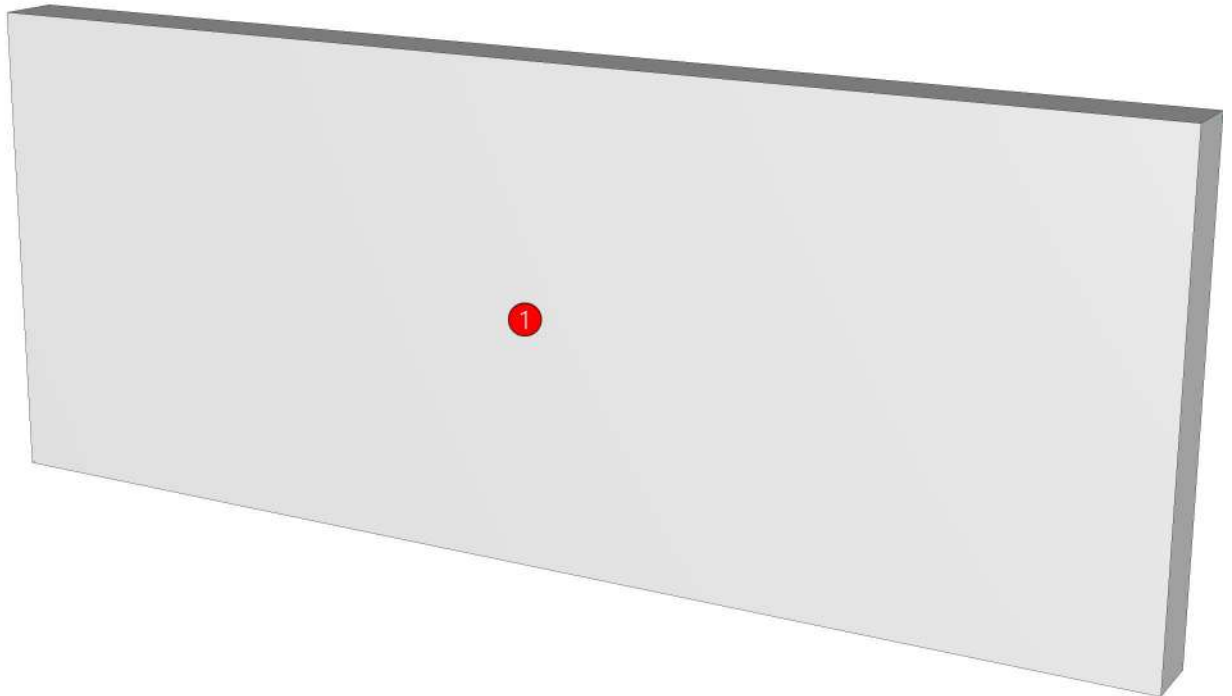
Work Report

Function

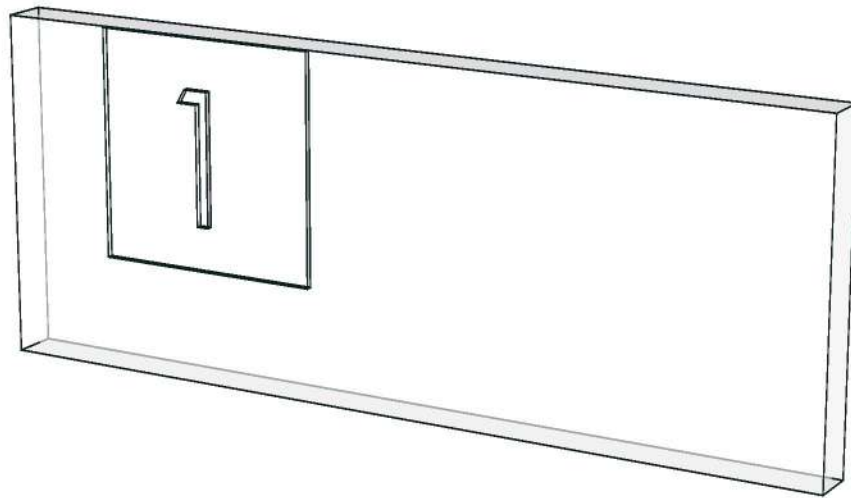
สินค้าตรงตัวอย่าง

ผู้ทบทวน P.SAWA I

____/____/____



Model	-VEHHA_DFCL_380	Name	INDEX_C3D_KITCHENPAE
Creator	SUTTHI.P	Order	O001956
Reviewer		Date	30/09/2024
Approves	<i>P. SAWAI</i>		



Model	VEHHA_DPLT_1460	Name	INDEX_C3D_KITCHENPAE
Creator	SUTTHI.P	Order	O001967
Reviewer		Date	30/09/2024
Approves	<i>P. SAWA I</i>		

VEHHA_DPLT_1460-1460X11X100

Colour

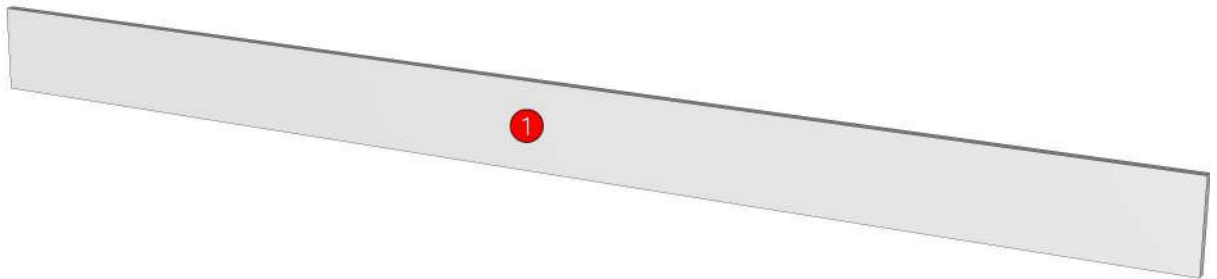
04.751=LAMINATE HPL # EWW9970YS (WET PROTECT)
04.752=LAMINATE WILMIKA HPL # 2905-86 (WET PROTECT)
04.753=LAMINATE HPL # EWW9970YS / HPL # 2905-86 (WET PROT

Edge

01.440=1 EWW9970NT (MW40-A1746TH00)
01.196=1 ML.LIGHT GREY(VM 1031.MD203)P6-001332M1

R&D REVIEW	
<input checked="" type="checkbox"/>	DWG.Customer
<input type="checkbox"/>	Work Report
<input type="checkbox"/>	Function
<input type="checkbox"/>	สินค้าตรงตัวอย่าง
ผู้ทบทวน <i>P.SAWA I</i>	
_____/_____/_____	

*** ปิดขอบด้วยกาว PUR ยกเลิกยางกันน้ำใส



Model	-VEHHA_DPLT_1460		
Creator	SUTTHI.P	Name	INDEX_C3D_KITCHENPAE
Reviewer		Order	0001967
Approves	<i>P. SAWA</i>	Date	30/09/2024

