

<b>Model</b>	VEHHA_DBS65LH	<b>Name</b>	INDEX_C3D_KITCHENPAE
<b>Creator</b>	SUTTHI.P	<b>Order</b>	O001887
<b>Reviewer</b>		<b>Date</b>	06/09/2024
<b>Approves</b>	<i>P.SAWA</i>		

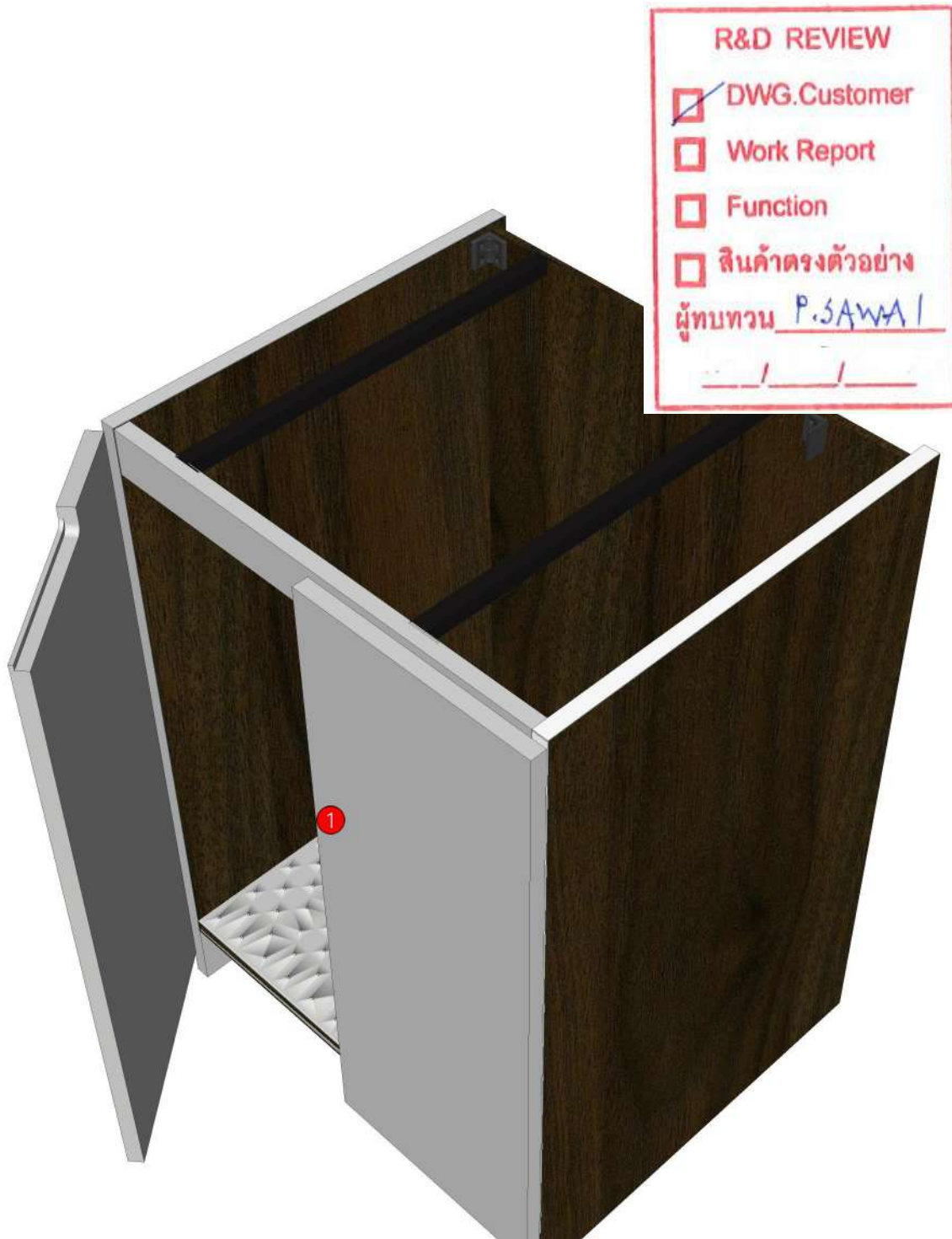
## **VEHHA\_DBS65LH-650X570X930**

### **Colour**

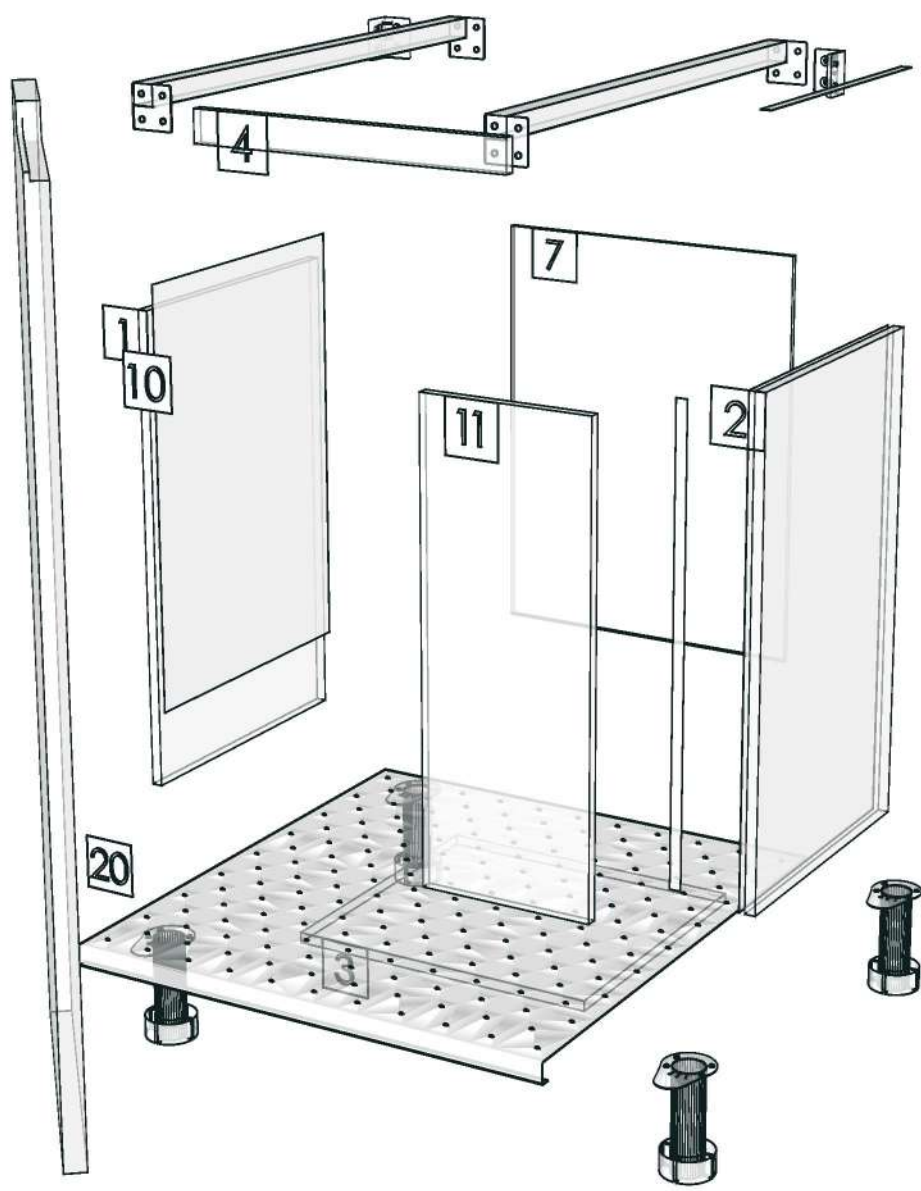
- 04.751=LAMINATE HPL # EWW9970YS (WET PROTECT)
- 04.752=LAMINATE WILMIKA HPL # 2905-86 (WET PROTECT)
- 04.753=LAMINATE HPL # EWW9970YS / HPL # 2905-86 (WET PROT

### **Edge**

- 01.440=1 EWW9970NT (MW40-A1746TH00)
- 01.196=1 ML.LIGHT GREY(VM 1031.MD203)P6-001332M1



<b>Model</b>	-VEHHA_DBS65LH	<b>Name</b>	INDEX_C3D_KITCHENPAE
<b>Creator</b>	SUTTHI.P	<b>Order</b>	O001887
<b>Reviewer</b>		<b>Date</b>	06/09/2024
<b>Approves</b>	<i>P. SAWA</i>		



<b>Model</b>	VEHHA_DBO70RS	<b>Name</b>	INDEX_C3D_KITCHENPAE
<b>Creator</b>	SUTTHI.P	<b>Order</b>	O001881
<b>Reviewer</b>		<b>Date</b>	06/09/2024
<b>Approves</b>			

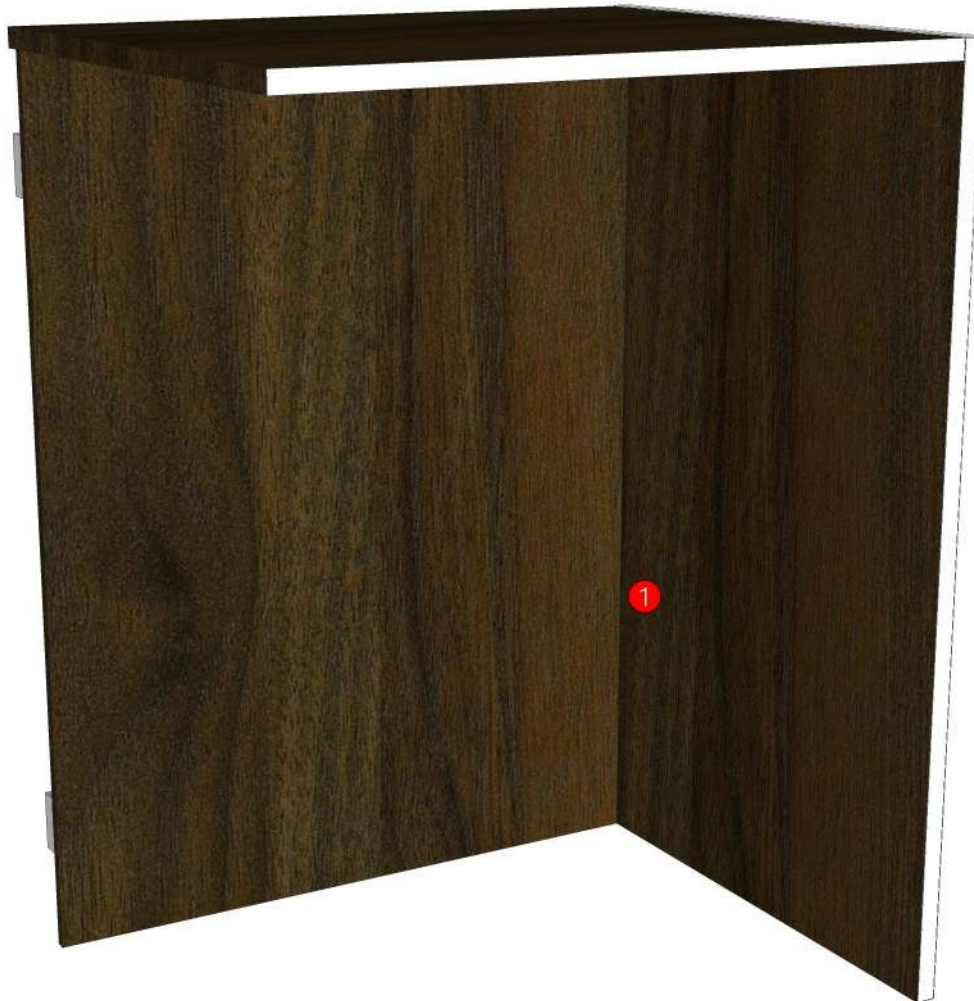
## **VEHHA\_DBO70RS-700X570X930**

### **Colour**

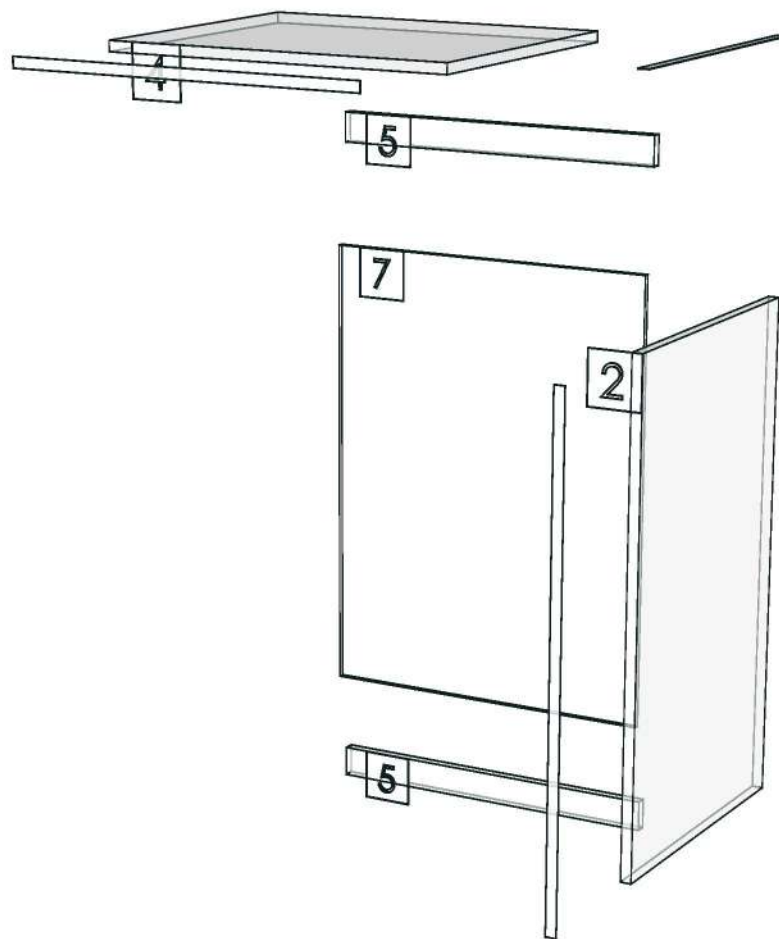
04.751=LAMINATE HPL # EWW9970YS (WET PROTECT)  
04.752=LAMINATE WILMIKA HPL # 2905-86 (WET PROTECT)  
04.753=LAMINATE HPL # EWW9970YS / HPL # 2905-86 (WET PROT

### **Edge**

01.440=1 EWW9970NT (MW40-A1746TH00)  
01.196=1 ML.LIGHT GREY(VM 1031.MD203)P6-001332M1



<b>Model</b>	-VEHHA_DBO70RS		
<b>Creator</b>	SUTTHI.P	<b>Name</b>	INDEX_C3D_KITCHENPAE
<b>Reviewer</b>		<b>Order</b>	O001881
<b>Approves</b>		<b>Date</b>	06/09/2024



<b>Model</b>	VEHHA_DL135L		
<b>Creator</b>	SUTTHI.P	<b>Name</b>	INDEX_C3D_KITCHENPAE
<b>Reviewer</b>		<b>Order</b>	O001895
<b>Approves</b>		<b>Date</b>	10/09/2024

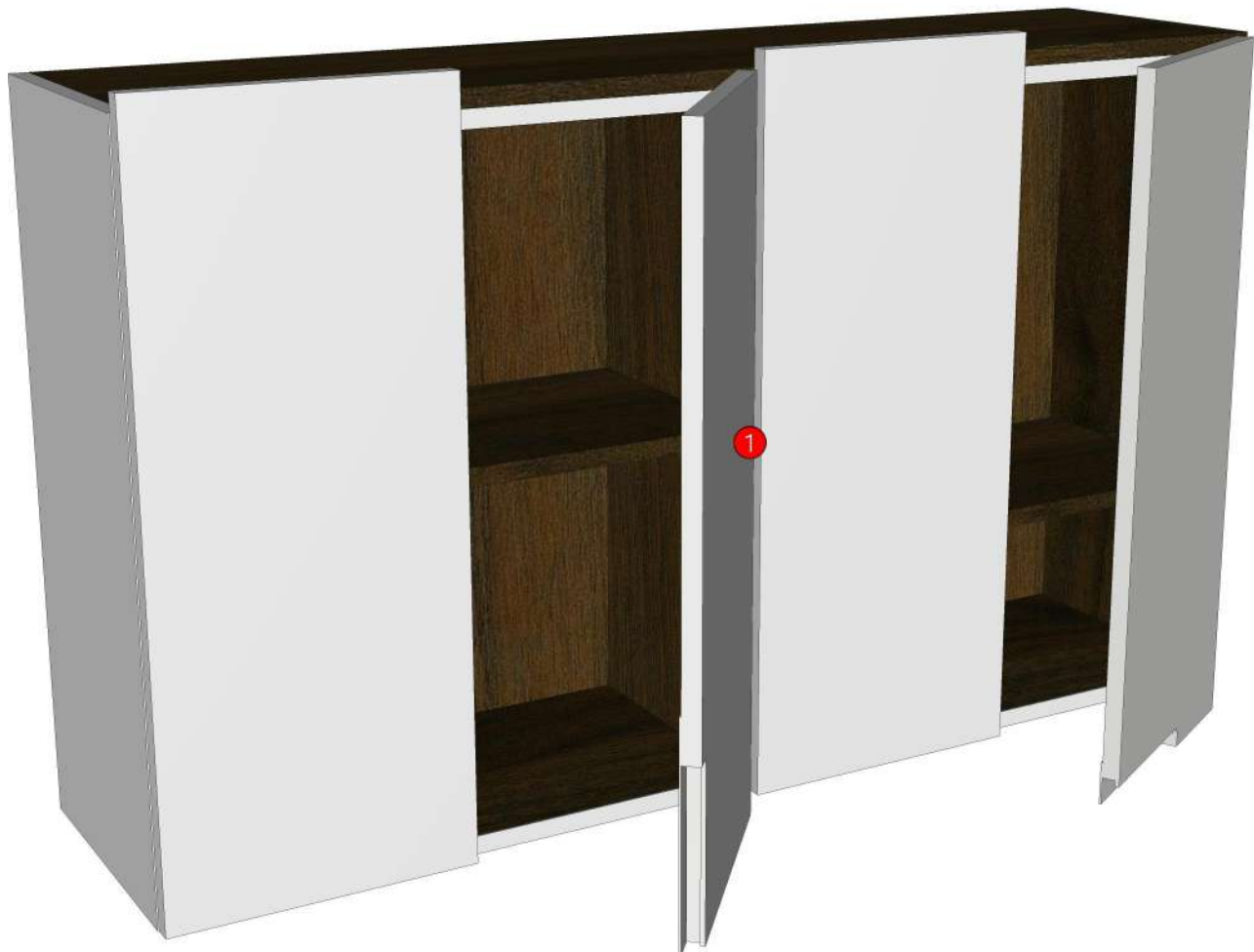
## **VEHHA\_DL135L-1350X330X800**

### **Colour**

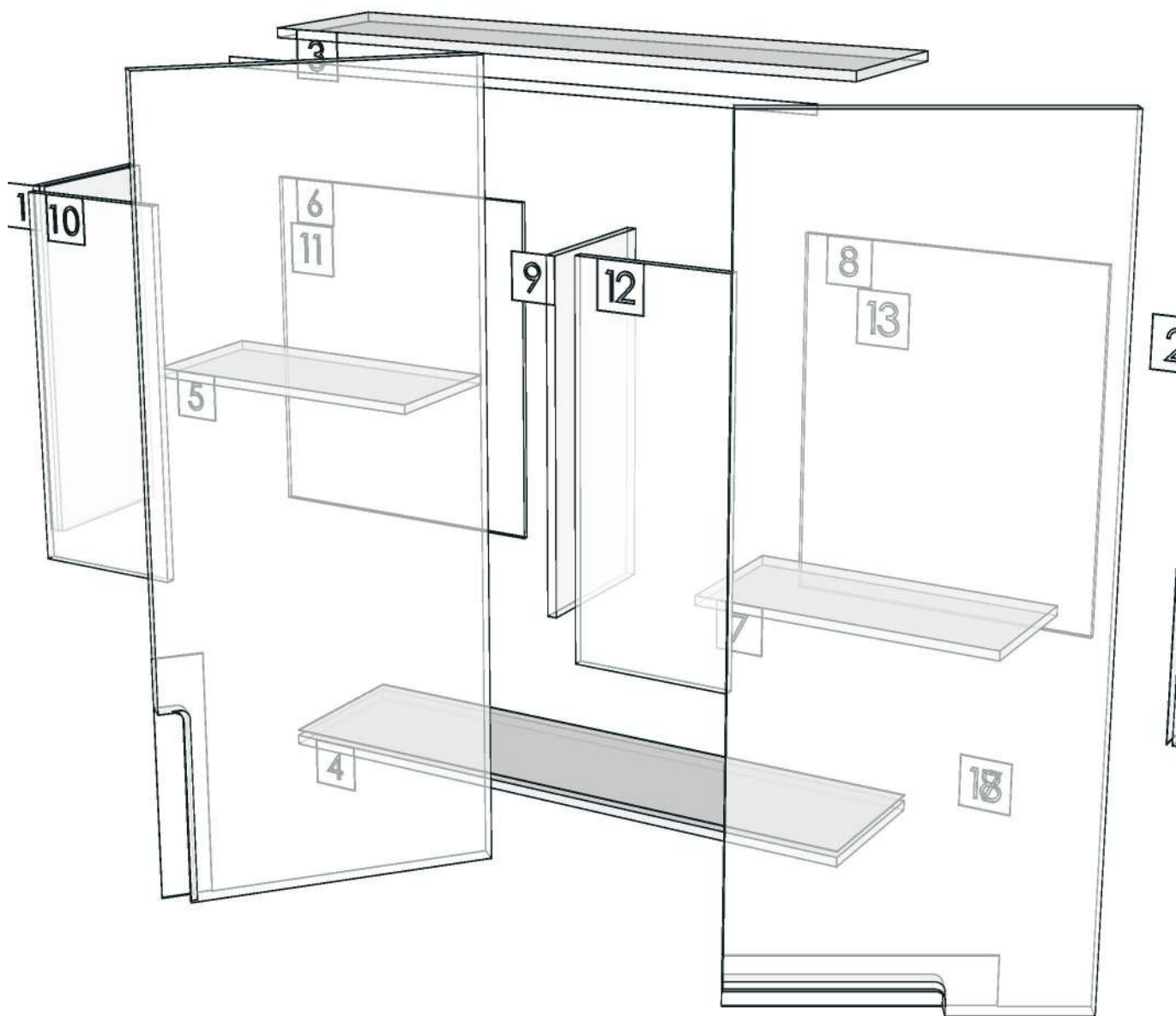
- 04.751=LAMINATE HPL # EWW9970YS (WET PROTECT)
- 04.752=LAMINATE WILMIKA HPL # 2905-86 (WET PROTECT)
- 04.753=LAMINATE HPL # EWW9970YS / HPL # 2905-86 (WET PROT

### **Edge**

- 01.440=1 EWW9970NT (MW40-A1746TH00)
- 01.196=1 ML.LIGHT GREY(VM 1031.MD203)P6-001332M1



<b>Model</b>	-VEHHA_DL135L	<b>Name</b>	INDEX_C3D_KITCHENPAE
<b>Creator</b>	SUTTHI.P	<b>Order</b>	O001895
<b>Reviewer</b>		<b>Date</b>	10/09/2024
<b>Approves</b>			



<b>Model</b>	VEHHA_DFBS	<b>Name</b>	INDEX_C3D_KITCHENPAE
<b>Creator</b>	SUTTHI.P	<b>Order</b>	O001943
<b>Reviewer</b>		<b>Date</b>	19/09/2024
<b>Approves</b>	<i>P.SAWA</i>		

## VEHHA\_DFBS-150X20X930

### Colour

04.751=LAMINATE HPL # EWW9970YS (WET PROTECT)  
04.752=LAMINATE WILMIKA HPL # 2905-86 (WET PROTECT)  
04.753=LAMINATE HPL # EWW9970YS / HPL # 2905-86 (WET PROT

### Edge

01.440=1 EWW9970NT (MW40-A1746TH00)  
01.196=1 ML.LIGHT GREY(VM 1031.MD203)P6-001332M1

K1L 160135183

K1R 160147902

K4R 160147934



<b>R&amp;D REVIEW</b>	
<input checked="" type="checkbox"/>	DWG.Customer
<input type="checkbox"/>	Work Report
<input type="checkbox"/>	Function
<input type="checkbox"/>	สินค้าตรงตัวอย่าง
ผู้ทบทวน <u>P.SAWA</u>	
____/____/____	

<b>Model</b>	-VEHHA_DFBS		
<b>Creator</b>	SUTTHI.P	<b>Name</b>	INDEX_C3D_KITCHENPAE
<b>Reviewer</b>		<b>Order</b>	O001943
<b>Approves</b>	<i>P. SAWA</i>	<b>Date</b>	19/09/2024



<b>Model</b>	VEHHA_DFL	<b>Name</b>	INDEX_C3D_KITCHENPAE
<b>Creator</b>	SUTTHI.P	<b>Order</b>	O001958
<b>Reviewer</b>		<b>Date</b>	30/09/2024
<b>Approves</b>	<i>P.SAWA I</i>		

## VEHHA\_DFL-150X20X800

### Colour

- 04.751=LAMINATE HPL # EWW9970YS (WET PROTECT)
- 04.752=LAMINATE WILMIKA HPL # 2905-86 (WET PROTECT)
- 04.753=LAMINATE HPL # EWW9970YS / HPL # 2905-86 (WET PROT)

### Edge

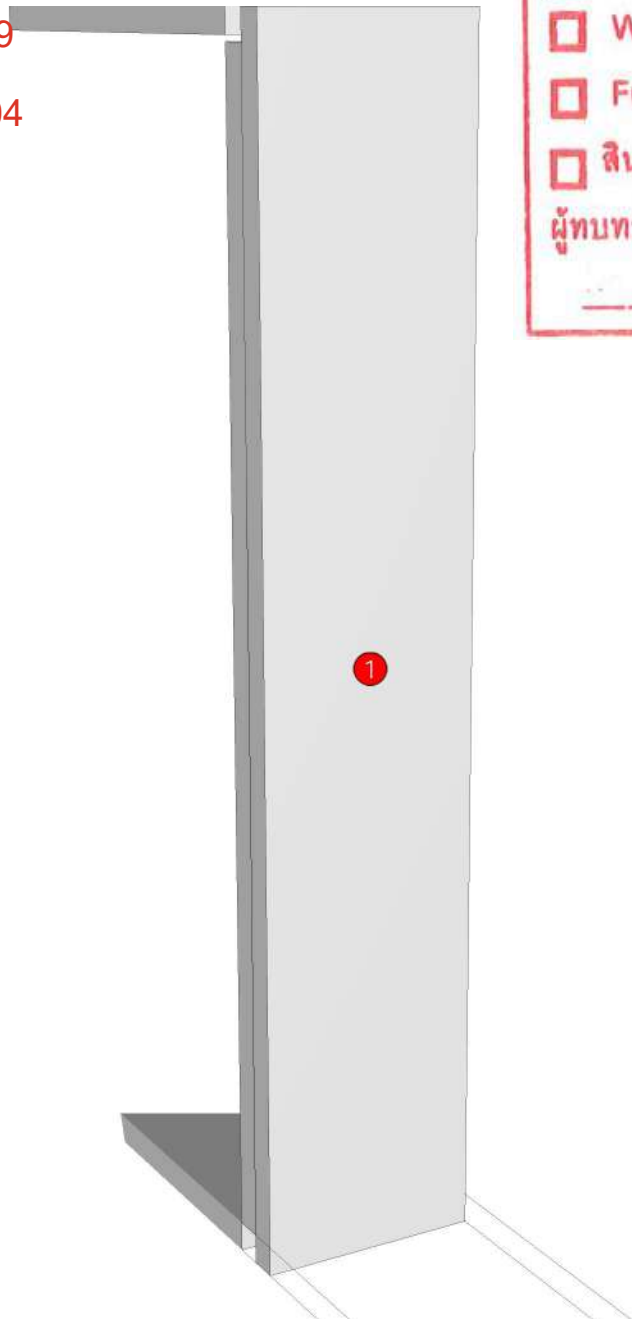
- 01.440=1 EWW9970NT (MW40-A1746TH00)
- 01.196=1 ML.LIGHT GREY(VM 1031.MD203)P6-001332M1

K1L 160135183

K1R 160147902

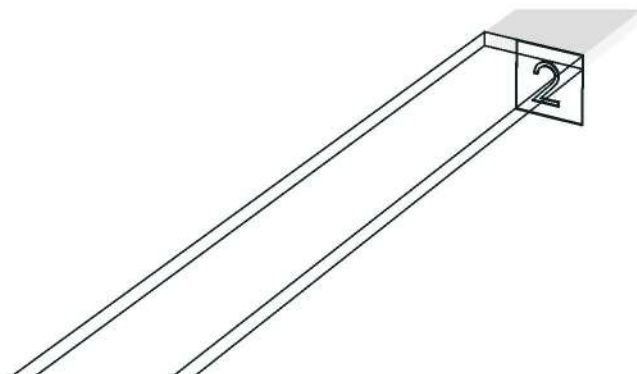
K11L 160147989

K12R 160148004



<b>R&amp;D REVIEW</b>	
<input checked="" type="checkbox"/>	DWG.Customer
<input type="checkbox"/>	Work Report
<input type="checkbox"/>	Function
<input type="checkbox"/>	สินค้าตรงตัวอย่าง
ผู้ทบทวน <u>P.SAWA I</u>	
_____/_____/_____	

<b>Model</b>	-VEHHA_DFL		
<b>Creator</b>	SUTTHI.P	<b>Name</b>	INDEX_C3D_KITCHENPAE
<b>Reviewer</b>		<b>Order</b>	O001958
<b>Approves</b>	<i>P. SAWA</i>	<b>Date</b>	30/09/2024



<b>Model</b>	VEHHA_DFCL_1500	<b>Name</b>	INDEX_C3D_KITCHENPAE
<b>Creator</b>	SUTTHI.P	<b>Order</b>	O001948
<b>Reviewer</b>		<b>Date</b>	30/09/2024
<b>Approves</b>	<i>P.SAWA</i>		

## **VEHHA\_DFCL\_1500-1500X20X150**

### **Colour**

04.751=LAMINATE HPL # EWW9970YS (WET PROTECT)  
04.752=LAMINATE WILMIKA HPL # 2905-86 (WET PROTECT)  
04.753=LAMINATE HPL # EWW9970YS / HPL # 2905-86 (WET PROT

### **Edge**

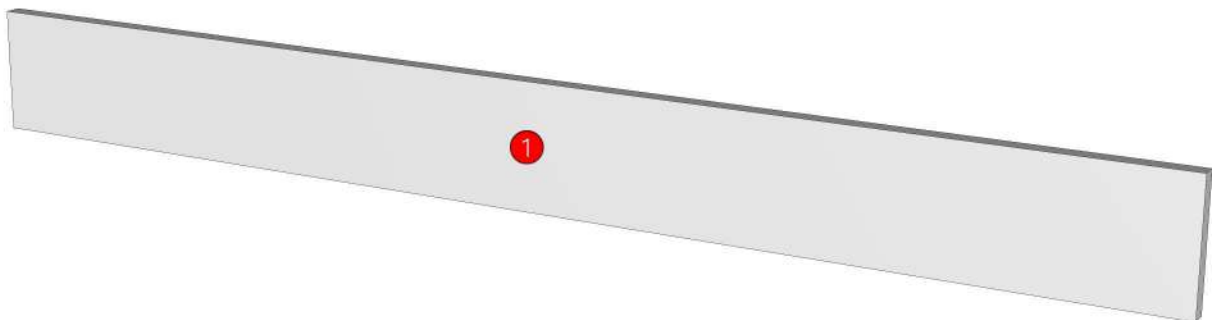
01.440=1 EWW9970NT (MW40-A1746TH00)  
01.196=1 ML.LIGHT GREY(VM 1031.MD203)P6-001332M1

K1L 160135183

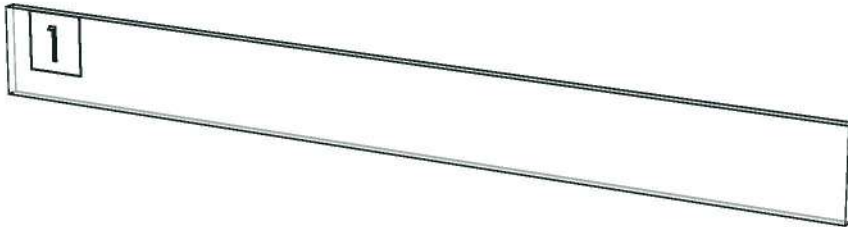
K1R 160147902

K5R 160147944

<b>R&amp;D REVIEW</b>	
<input checked="" type="checkbox"/>	DWG.Customer
<input type="checkbox"/>	Work Report
<input type="checkbox"/>	Function
<input type="checkbox"/>	สินค้าตรงตัวอย่าง
ผู้ทบทวน <i>P.SAWA</i>	
____/____/____	



Model	-VEHHA_DFCL_1500		
Creator	SUTTHI.P	Name	INDEX_C3D_KITCHENPAE
Viewer		Order	O001948
Approves	P. SAWA	Date	30/09/2024



<b>Model</b>	VEHHA_DFCL_380	<b>Name</b>	INDEX_C3D_KITCHENPAE
<b>Creator</b>	SUTTHI.P	<b>Order</b>	O001956
<b>Reviewer</b>		<b>Date</b>	30/09/2024
<b>Approves</b>	P.SAWA I		

## VEHHA\_DFCL\_380-380X20X150

### Colour

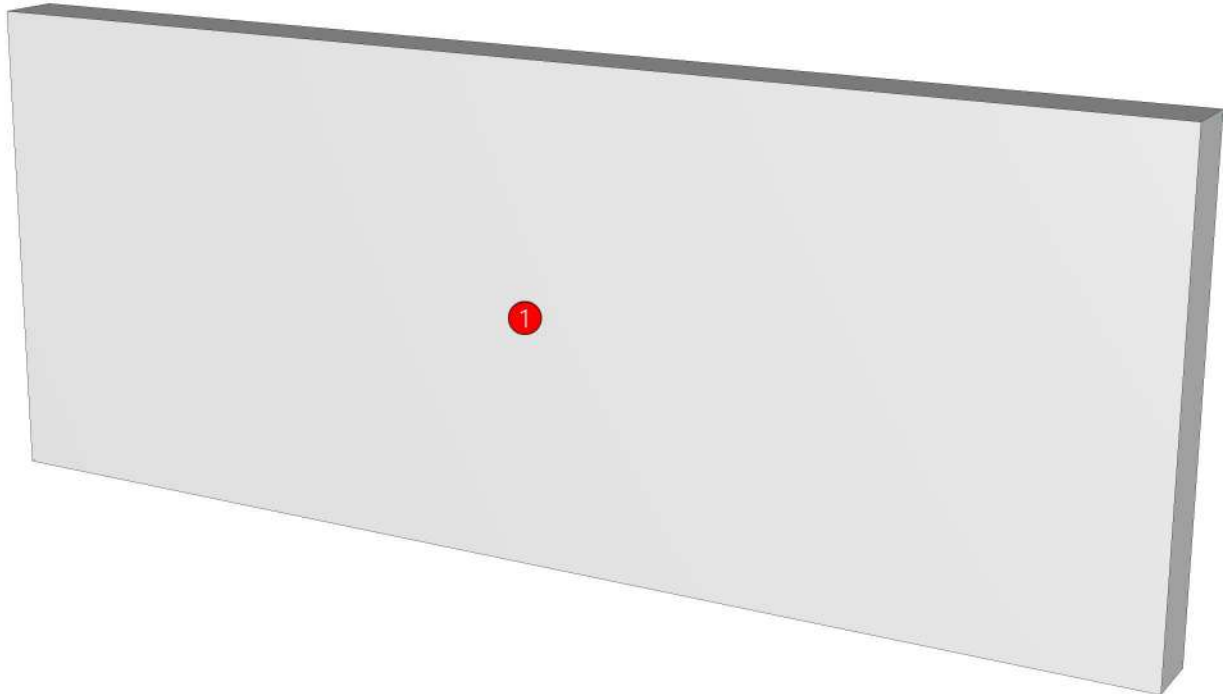
04.751=LAMINATE HPL # EWW9970YS (WET PROTECT)  
04.752=LAMINATE WILMIKA HPL # 2905-86 (WET PROTECT)  
04.753=LAMINATE HPL # EWW9970YS / HPL # 2905-86 (WET PROT

### Edge

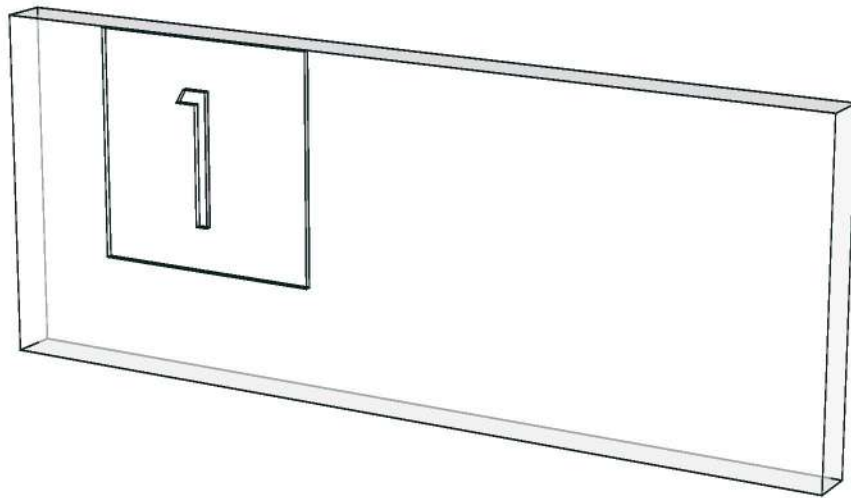
01.440=1 EWW9970NT (MW40-A1746TH00)  
01.196=1 ML.LIGHT GREY(VM 1031.MD203)P6-001332M1

- K1L 160135183
- K1R 160147902
- K2L 160147910
- K2R 160147917
- K3L 160147924
- K5R 160147944
- K7R 160147951
- K8R 160147959
- K9R 160147971
- K10R 160147980
- K11L 160147989
- K12R 160148004
- K20L 160135213

<b>R&amp;D REVIEW</b>	
<input checked="" type="checkbox"/>	DWG.Customer
<input type="checkbox"/>	Work Report
<input type="checkbox"/>	Function
<input type="checkbox"/>	สินค้าตรงตัวอย่าง
ผู้ทบทวน <u>P.SAWA I</u>	
_____/_____/_____	



<b>Model</b>	-VEHHA_DFCL_380		
<b>Creator</b>	SUTTHI.P	<b>Name</b>	INDEX_C3D_KITCHENPAE
<b>Reviewer</b>		<b>Order</b>	O001956
<b>Approves</b>	P. SAWA	<b>Date</b>	30/09/2024



<b>Model</b>	VEHHA_DPLT_610	<b>Name</b>	INDEX_C3D_KITCHENPAE
<b>Creator</b>	SUTTHI.P	<b>Order</b>	O001975
<b>Reviewer</b>		<b>Date</b>	01/10/2024
<b>Approves</b>	<i>P.SAWAI</i>		

## VEHHA\_DPLT\_610-610X11X100

### Colour

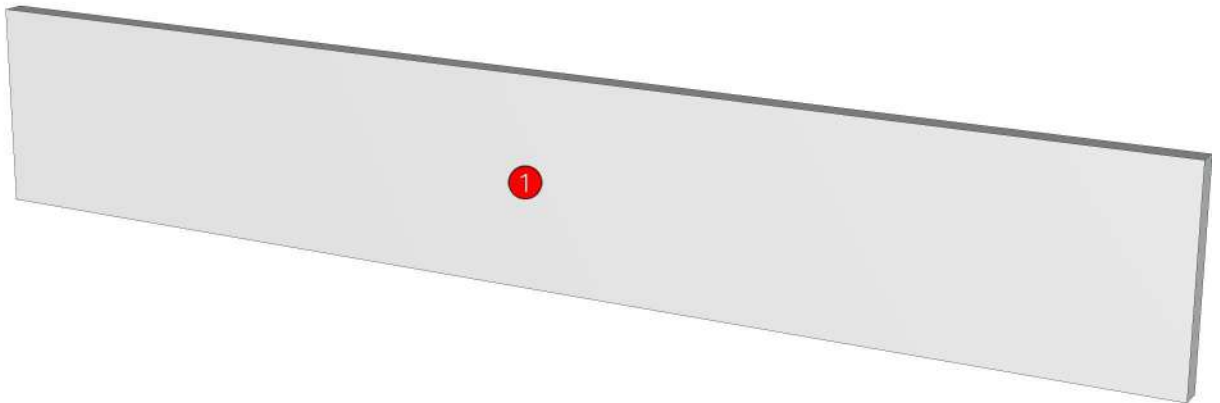
04.751=LAMINATE HPL # EWW9970YS (WET PROTECT)  
04.752=LAMINATE WILMIKA HPL # 2905-86 (WET PROTECT)  
04.753=LAMINATE HPL # EWW9970YS / HPL # 2905-86 (WET PROT

### Edge

01.440=1 EWW9970NT (MW40-A1746TH00)  
01.196=1 ML.LIGHT GREY(VM 1031.MD203)P6-001332M1

<b>R&amp;D REVIEW</b>	
<input checked="" type="checkbox"/>	DWG.Customer
<input type="checkbox"/>	Work Report
<input type="checkbox"/>	Function
<input type="checkbox"/>	สินค้าตรงตัวอย่าง
ผู้ทบทวน <u>P.SAWAI</u>	
_____/_____/_____	

\*\*\* ปิดขอบด้วยกาว PUR ยกเลิกยางกันน้ำใส



<b>Model</b>	-VEHHA_DPLT_610		
<b>Creator</b>	SUTTHI.P	<b>Name</b>	INDEX_C3D_KITCHENPAE
<b>Reviewer</b>		<b>Order</b>	O001975
<b>Approves</b>	<i>P. SAWAI</i>	<b>Date</b>	01/10/2024

