

Model	ROMM_CONVECT_DT60LK24_1		
Creator	SUTTHI.P	.BCP Name	INDEX_C3D_KITCHENPAE
Reviewer		Order	O002839
Approves	<u>P. SAWA</u>	Date	04/10/2025

ROMM_CONVECT_DT60LK24_1-600X580X2550

Colour

04.69=PB-E1 4'X8'T LAMINATE WILMIKA TEXT NO. W3125-16

04.691=ALVIC LUMAX-SPP/4'X10'X18MM.-BLANCO SUPPERMATT(LX8

04.692=PB-E1 4'X9'T. LAMINA WILMIKA TEXT NO. W3125-16

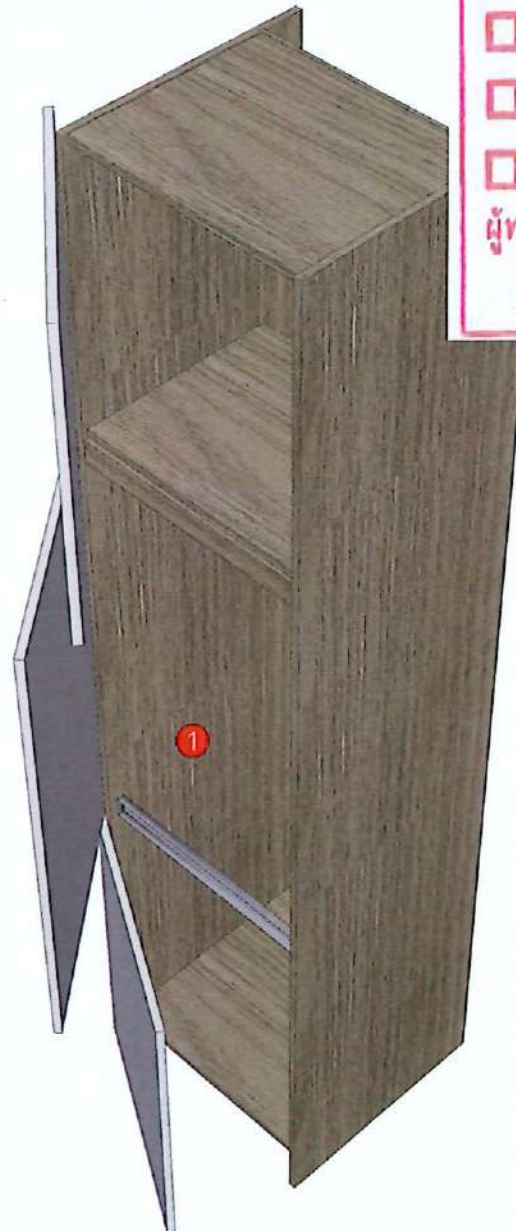
04.693=HPL WILMIKA NO. W3125-16/HPL.TD#9201 PL

Edge

01.405=1 DWK3125AT

01.47=1 WHITE

K24L 160134876



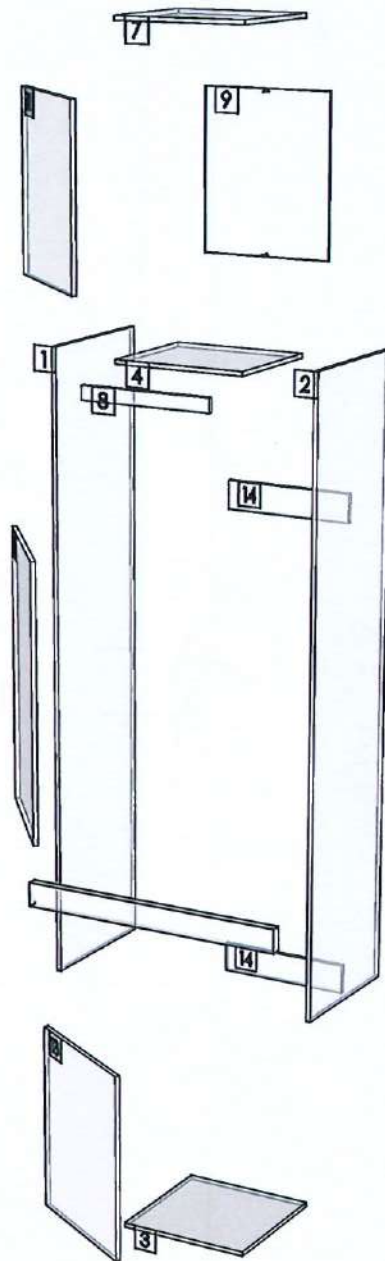
R&D REVIEW

- DWG.Customer
- Work Report
- Function
- สินค้าตรงตัวอย่าง

ผู้ทบทวน P.SAWA

31 / 10 / 68

Model	-ROMM_CONVECT_DT60LK24_1		
Creator	SUTTHI.P	.BCP Name	INDEX_C3D_KITCHENPAE
Reviewer		Order	O002839
Approves	<i>P. SAWA</i>	Date	04/10/2025



Model	ROMM_CONVECT_DT60RK24_1		
Creator	SUTTHI.P	.BCP Name	INDEX_C3D_KITCHENPAE
Reviewer		Order	O002945
Approves	P. SAWA	Date	16/10/2025

ROMM_CONVECT_DT60RK24_1-600X580X2550

Colour

04.69=PB-E1 4'X8'T LAMINATE WILMIKA TEXT NO. W3125-16
04.691=ALVIC LUMAX-SPP/4'X10'X18MM.-BLANCO SUPPERMATT(LX8
04.692=PB-E1 4'X9'T. LAMINA WILMIKA TEXT NO. W3125-16
04.693=HPL WILMIKA NO. W3125-16/HPL.TD#9201 PL

Edge

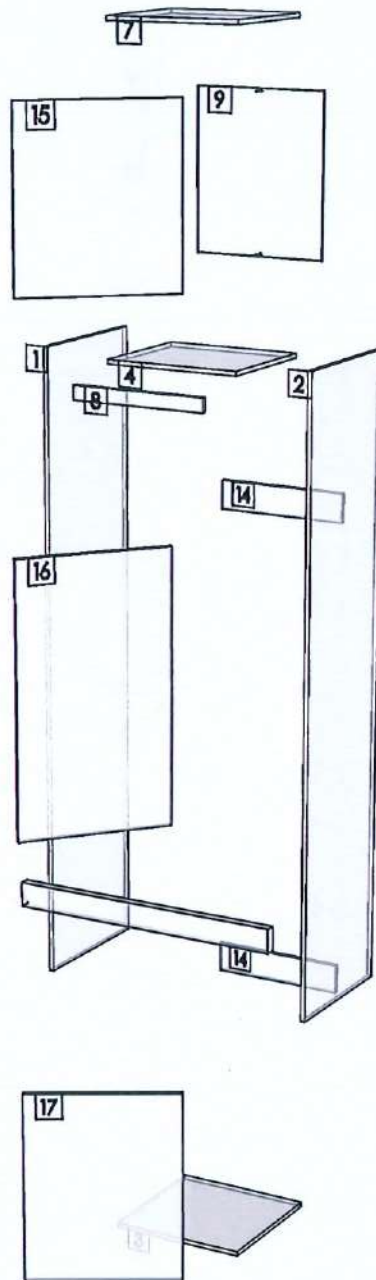
01.405=1 DWK3125AT
01.47=1 WHITE

K24L 160134876



R&D REVIEW	
<input checked="" type="checkbox"/>	DWG.Customer
<input type="checkbox"/>	Work Report
<input type="checkbox"/>	Function
<input type="checkbox"/>	สินค้าตรงตัวอย่าง
ผู้ทบทวน <u>P.SAWA</u>	
<u>31 / 10 / 68</u>	

Model	-ROMM_CONVECT_DT60RK24_1		
Creator	SUTTHI.P	.BCP Name	INDEX_C3D_KITCHENPAE
Reviewer		Order	O002945
Approves	<i>P. SAWA</i>	Date	16/10/2025



Model	ROMM_CONVECT_DBH601S2_1	.BCP Name	INDEX_C3D_KITCHENPAE
Creator	SUTTHI.P	Order	O002832
Reviewer		Date	03/10/2025
Approves	<i>P. SAWA</i>		

ROMM_CONVECT_DBH601S2_1-600X570X730

Colour

04.69=PB-E1 4'X8'T LAMINATE WILMIKA TEXT NO. W3125-16
04.691=ALVIC LUMAX-SPP/4'X10'X18MM.-BLANCO SUPPERMATT(LX8
04.692=PB-E1 4'X9'T. LAMINA WILMIKA TEXT NO. W3125-16
04.693=HPL WILMIKA NO. W3125-16/HPL.TD#9201 PL
06.01=TEXTURE DEAD STOCK

Edge

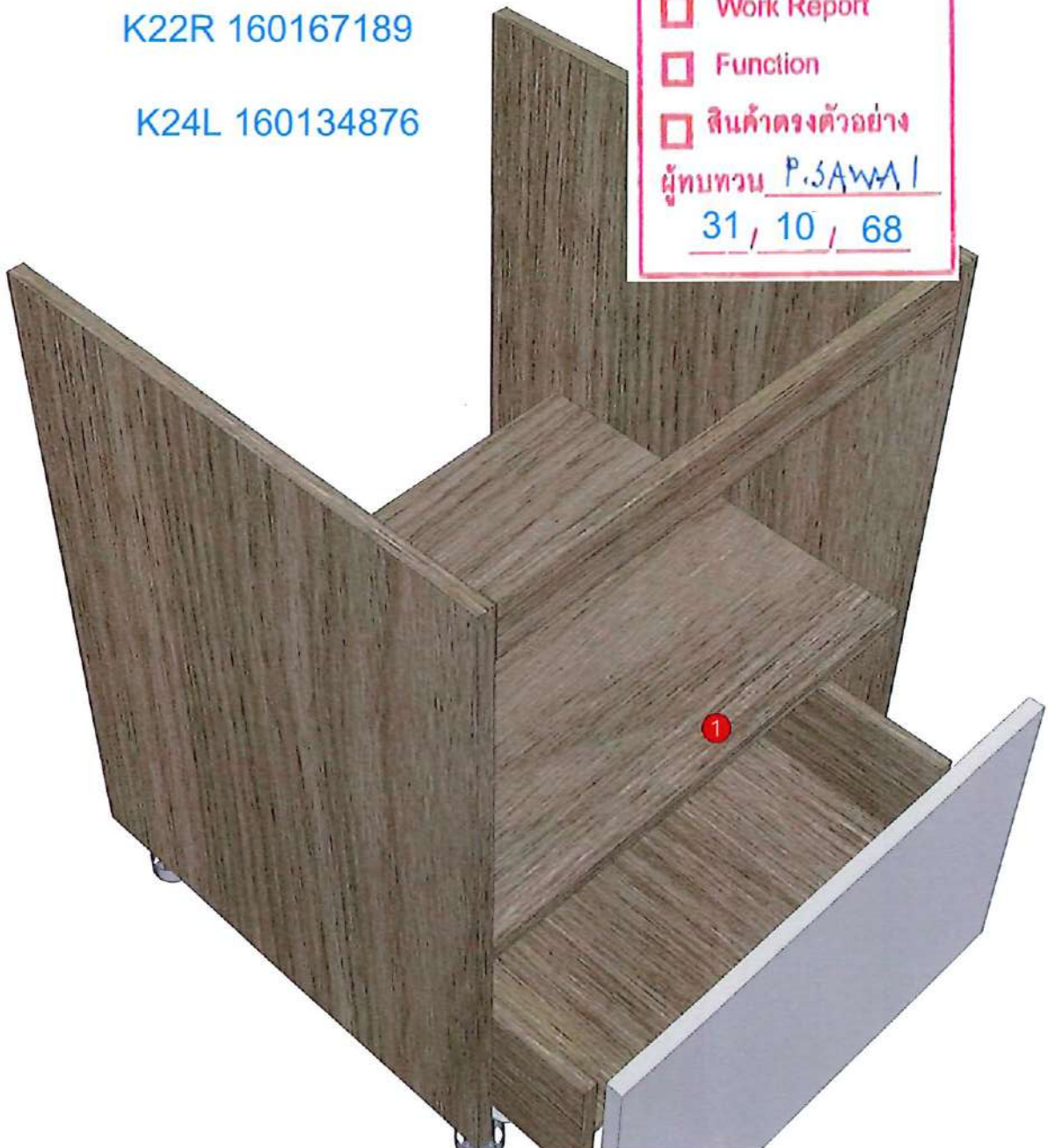
01.405=1 DWK3125AT
01.47=1 WHITE

K20L 160167142

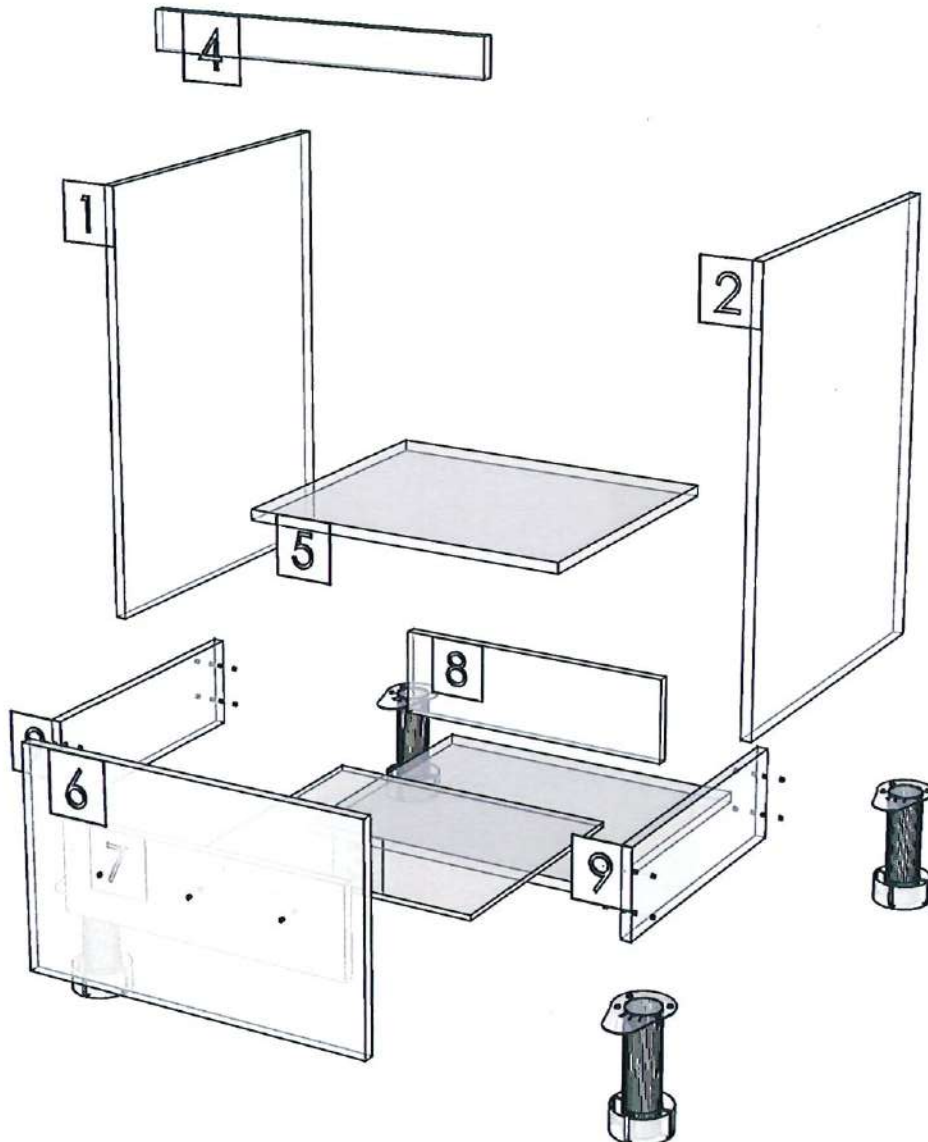
K22R 160167189

K24L 160134876

R&D REVIEW	
<input checked="" type="checkbox"/>	DWG.Customer
<input type="checkbox"/>	Work Report
<input type="checkbox"/>	Function
<input type="checkbox"/>	สินค้าตรงตัวอย่าง
ผู้ทบทวน <u>P.SAWA</u>	
<u>31 / 10 / 68</u>	



Model	-ROMM_CONVECT_DBH601S2_1		
Creator	SUTTHI.P	.BCP Name	INDEX_C3D_KITCHENPAE
Reviewer		Order	0002832
Approves	<i>พ. ส. ว. ว. 1</i>	Date	03/10/2025



Model	ROMM_CONVECT_DBD30_1		
Creator	SUTTHI.P	.BCP Name	INDEX_C3D_KITCHENPAE
Reviewer		Order	O002487
Approves	พ.สาวิณี	Date	06/06/2025

ROMM_CONVECT_DBD30_1-300X570X760

Colour

04.69=PB-E1 4'X8'T LAMINATE WILMIKA TEXT NO. W3125-16
04.691=ALVIC LUMAX-SPP/4'X10'X18MM.-BLANCO SUPPERMATT(LX8
04.692=PB-E1 4'X9'T. LAMINA WILMIKA TEXT NO. W3125-16
04.693=HPL WILMIKA NO. W3125-16/HPL.TD#9201 PL

Edge

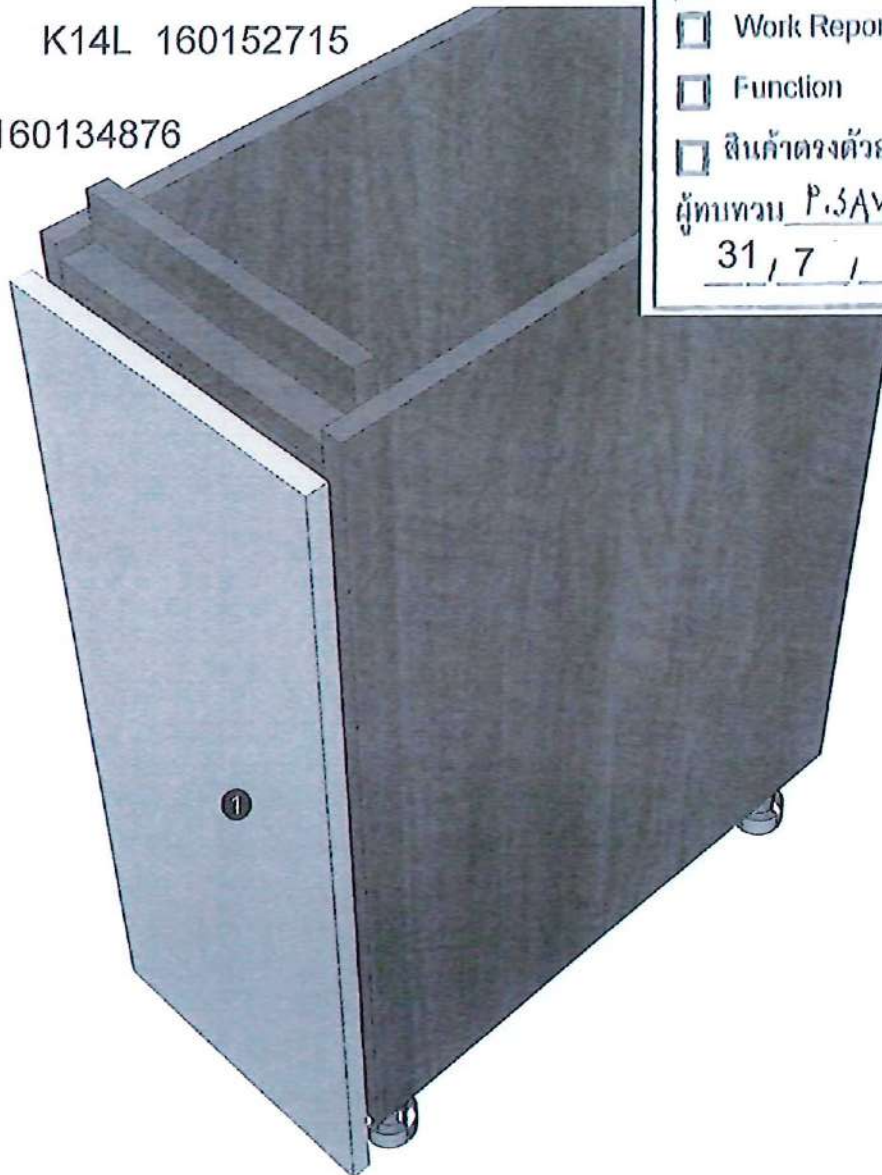
01.405=1 DWK3125AT
01.4051=1 WHITE 01016

K1R 160160423

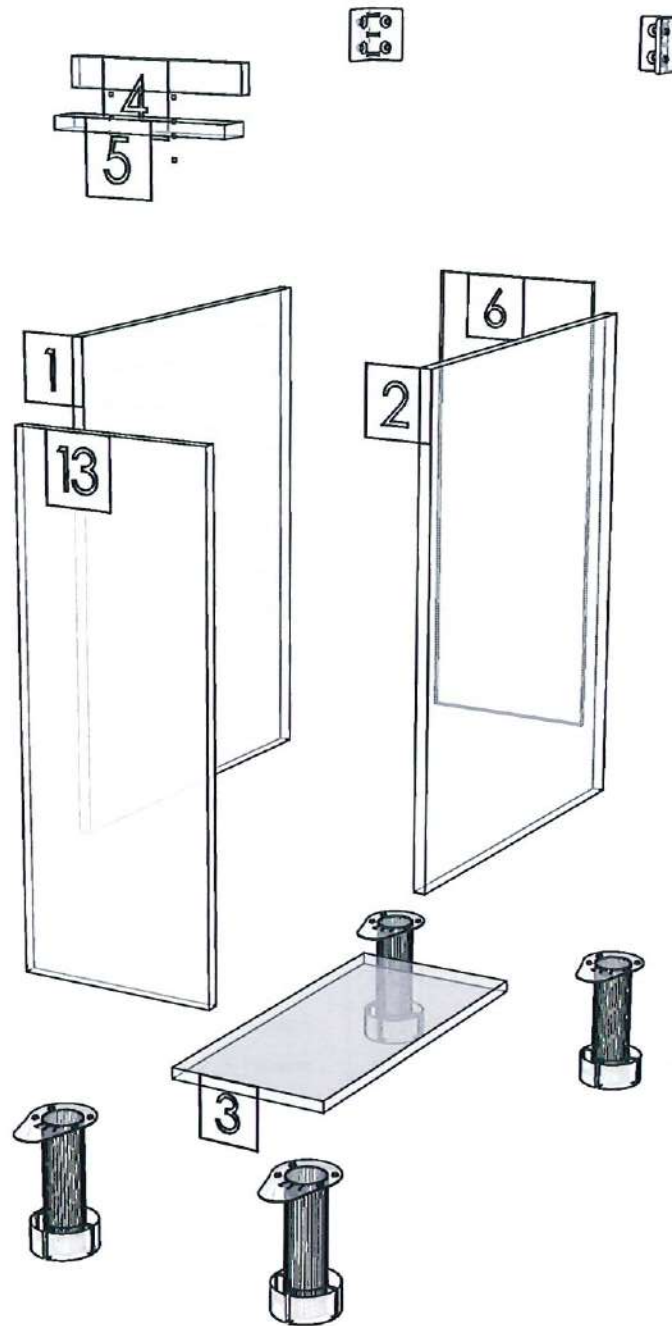
K14L 160152715

K24L 160134876

R&D REVIEW	
<input checked="" type="checkbox"/>	DWG.Customer
<input type="checkbox"/>	Work Report
<input type="checkbox"/>	Function
<input type="checkbox"/>	สินค้าตรงตัวอย่าง
ผู้ทบทวน <u>พ.สาวิณี</u>	
<u>31 / 7 / 68</u>	



Model	-ROMM_CONVECT_DBD30_1		
Creator	SUTTHI.P	.BCP Name	INDEX_C3D_KITCHENPAE
Reviewer		Order	O002487
Approves	<i>พ. SAWA</i>	Date	06/06/2025



Model	ROMM_CONVECT_DB60RR_1		
Creator	SUTTHI.P	.BCP Name	INDEX_C3D_KITCHENPAE
Reviewer		Order	O002478
Approves	ป. Sawal	Date	06/06/2025


ROMM_CONVECT_DB60RR_1-600X570X830

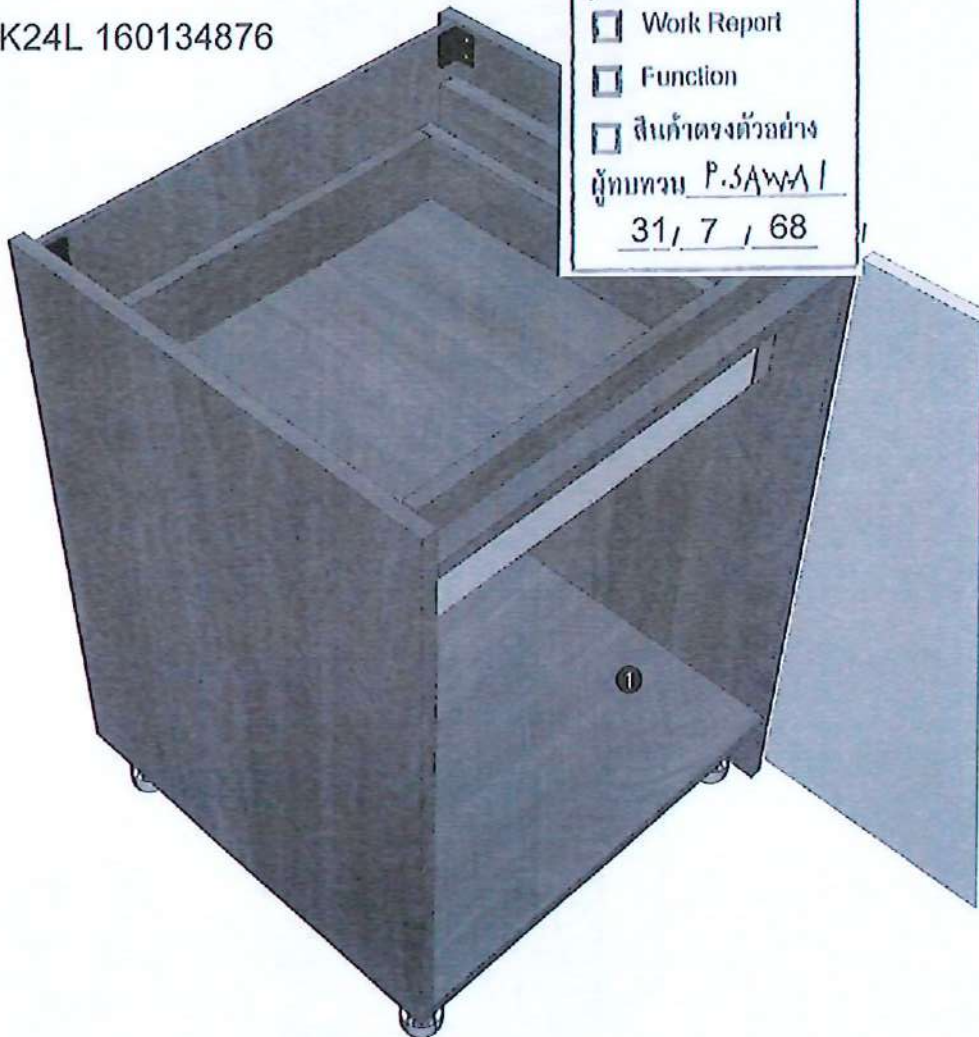
Colour

04.69=PB-E1 4'X8'T LAMINATE WILMIKA TEXT NO. W3125-16
04.691=ALVIC LUMAX-SPP/4'X10'X18MM.-BLANCO SUPPERMATT(LX8
04.692=PB-E1 4'X9'T. LAMINA WILMIKA TEXT NO. W3125-16
04.693=HPL WILMIKA NO. W3125-16/HPL.TD#9201 PL

Edge

01.405=1 DWK3125AT
01.4051=1 WHITE 01016

K6L 160160455
 K24L 160134876

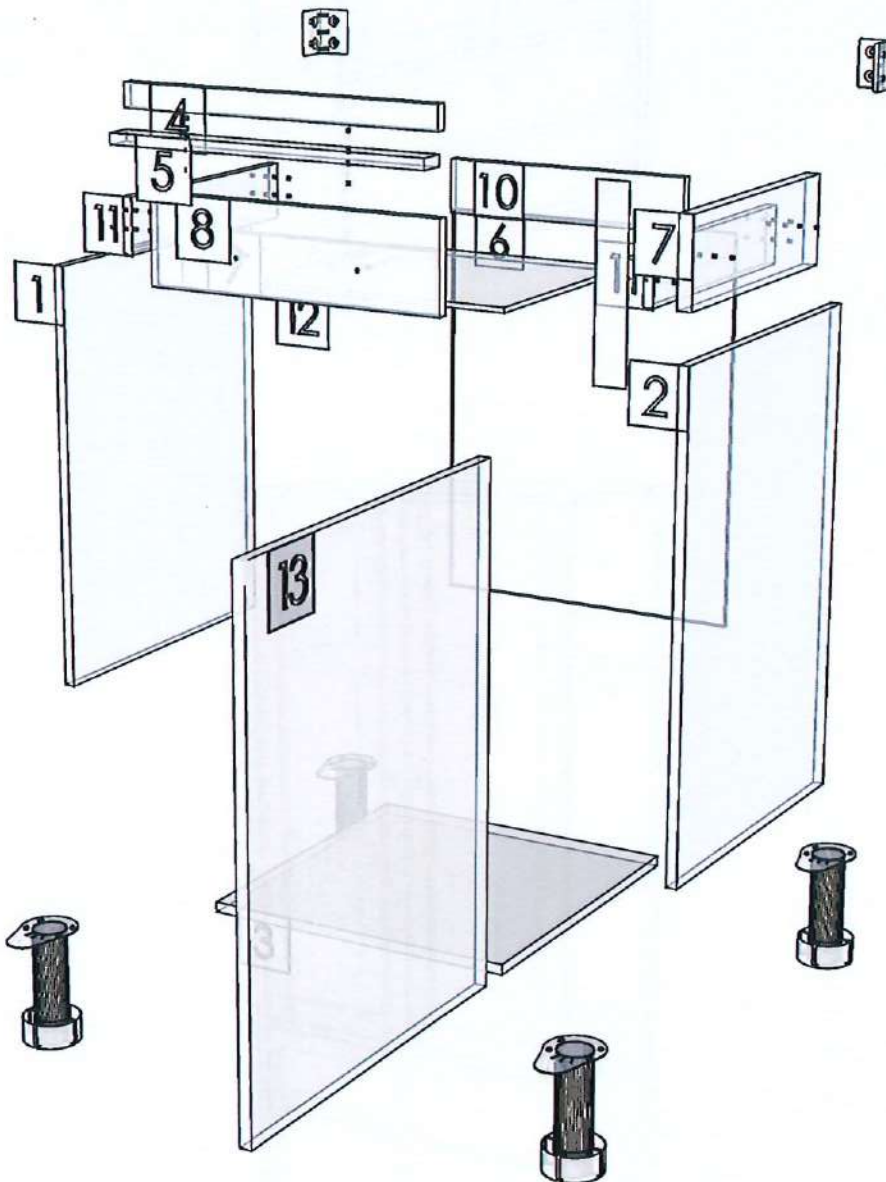


R&D REVIEW

- DWG.Customer
- Work Report
- Function
- สินค้าตรงตัวอย่าง

ผู้ตรวจสอบ P.SAWAL
31 / 7 / 68

Model	-ROMM_CONVECT_DB60RR_1		
Creator	SUTTHI.P	.BCP Name	INDEX_C3D_KITCHENPAE
Reviewer		Order	O002478
Approves	<i>P. SAWA</i>	Date	06/06/2025



Model	ROMM_CONVECT_DB232I_1	.BCP Name	INDEX_C3D_KITCHENPAE
Creator	SUTTHI.P	Order	O002791
Reviewer		Date	18/09/2025
Approves	<i>P. SAWA</i>		

ROMM_CONVECT_DB232I_1-2320X670X760

Colour

04.69=PB-E1 4'X8'T LAMINATE WILMIKA TEXT NO. W3125-16
04.691=ALVIC LUMAX-SPP/4'X10'X18MM.-BLANCO SUPPERMATT(LX8
04.692=PB-E1 4'X9'T. LAMINA WILMIKA TEXT NO. W3125-16
04.693=HPL WILMIKA NO. W3125-16/HPL.TD#9201 PL
05.01=ML WHITE VM1012 18/18

Edge

01.405=1 DWK3125AT
01.47=1 WHITE

K24L 160134876

R&D REVIEW

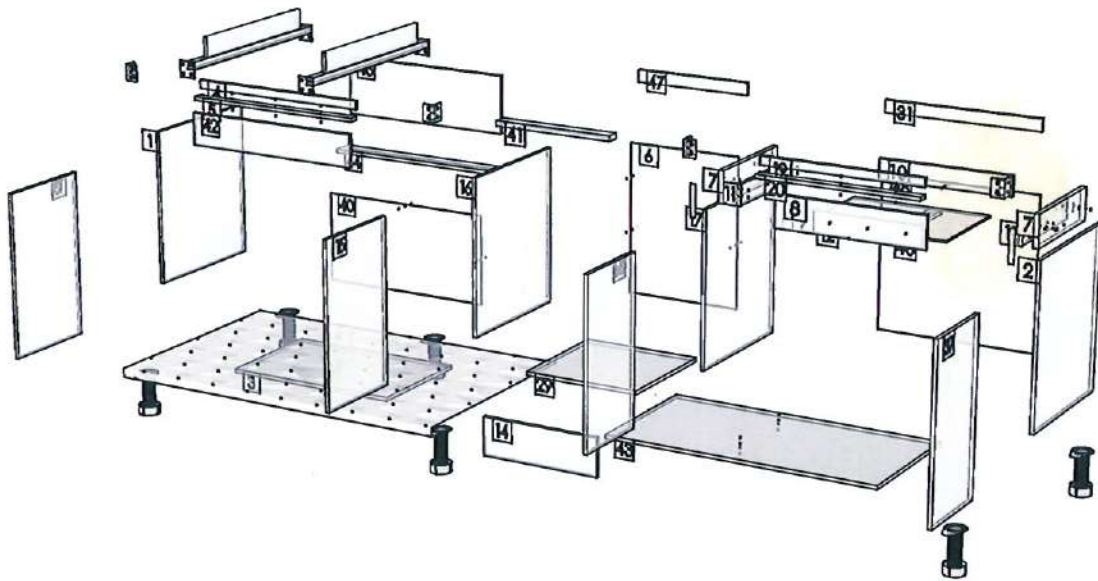
- DWG.Customer
- Work Report
- Function
- สินค้าตรงตัวอย่าง

ผู้ทบทวน P.SAWA

31 / 10 / 68



Model	-ROMM_CONVECT_DB232I_1		
Creator	SUTTHI.P	.BCP Name	INDEX_C3D_KITCHENPAE
Reviewer		Order	O002791
Approves	<i>P. SAWAI</i>	Date	18/09/2025



Model	ROMM_CONVECT_DL65_1	.BCP Name	INDEX_C3D_KITCHENPAE
Creator	SUTTHI.P	Order	O002821
Reviewer		Date	01/10/2025
Approves	<i>P. Sawai</i>		

ROMM_CONVECT_DL65_1-650X330X680

Colour

04.69=PB-E1 4'X8'T LAMINATE WILMIKA TEXT NO. W3125-16

04.691=ALVIC LUMAX-SPP/4'X10'X18MM.-BLANCO SUPPERMATT(LX8

04.692=PB-E1 4'X9'T. LAMINA WILMIKA TEXT NO. W3125-16

04.693=HPL WILMIKA NO. W3125-16/HPL.TD#9201 PL

05.01=ML WHITE VM1012 18/18

Edge

01.405=1 DWK3125AT

01.47=1 WHITE

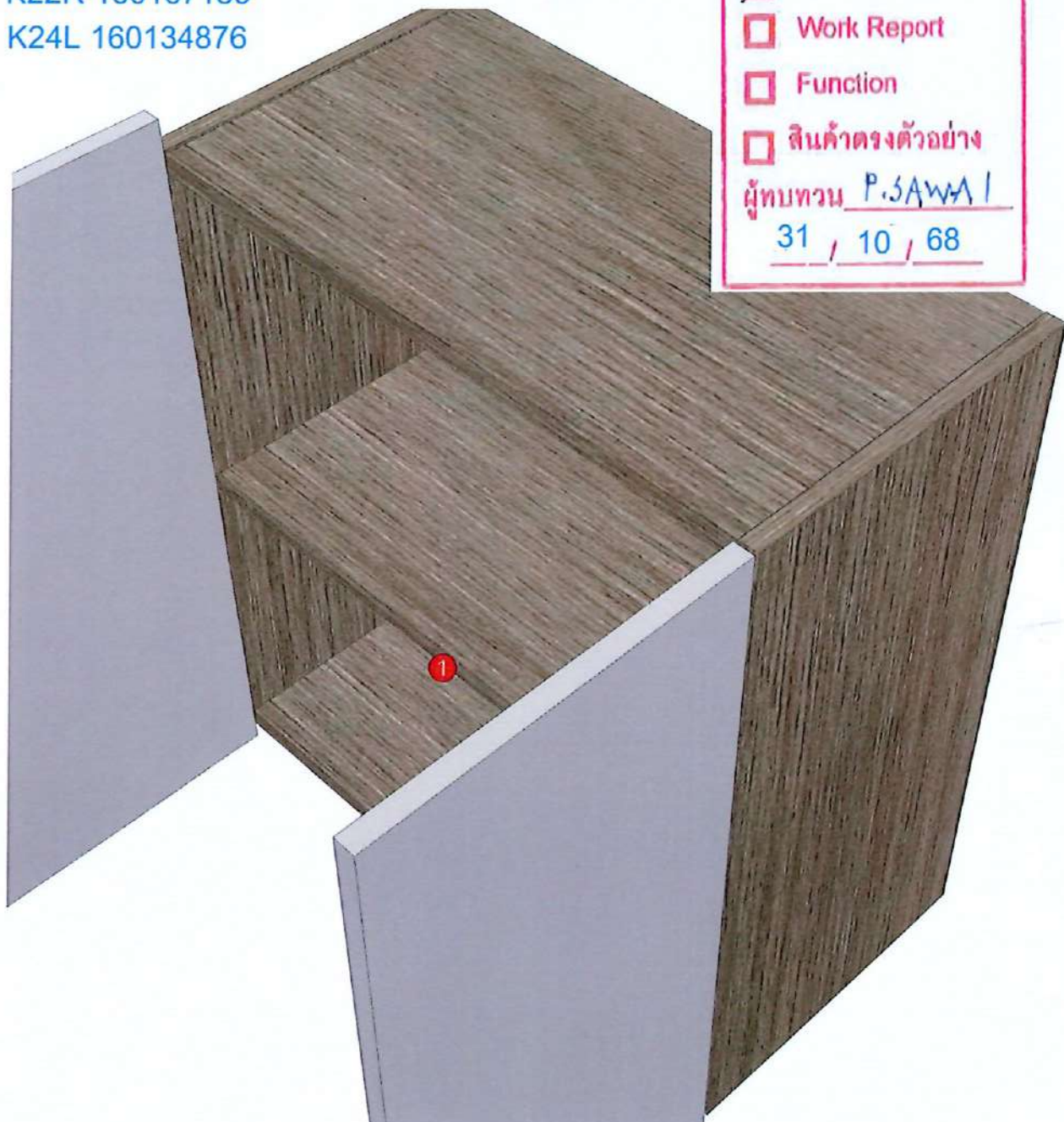
K20L 160167142

K22R 160167189

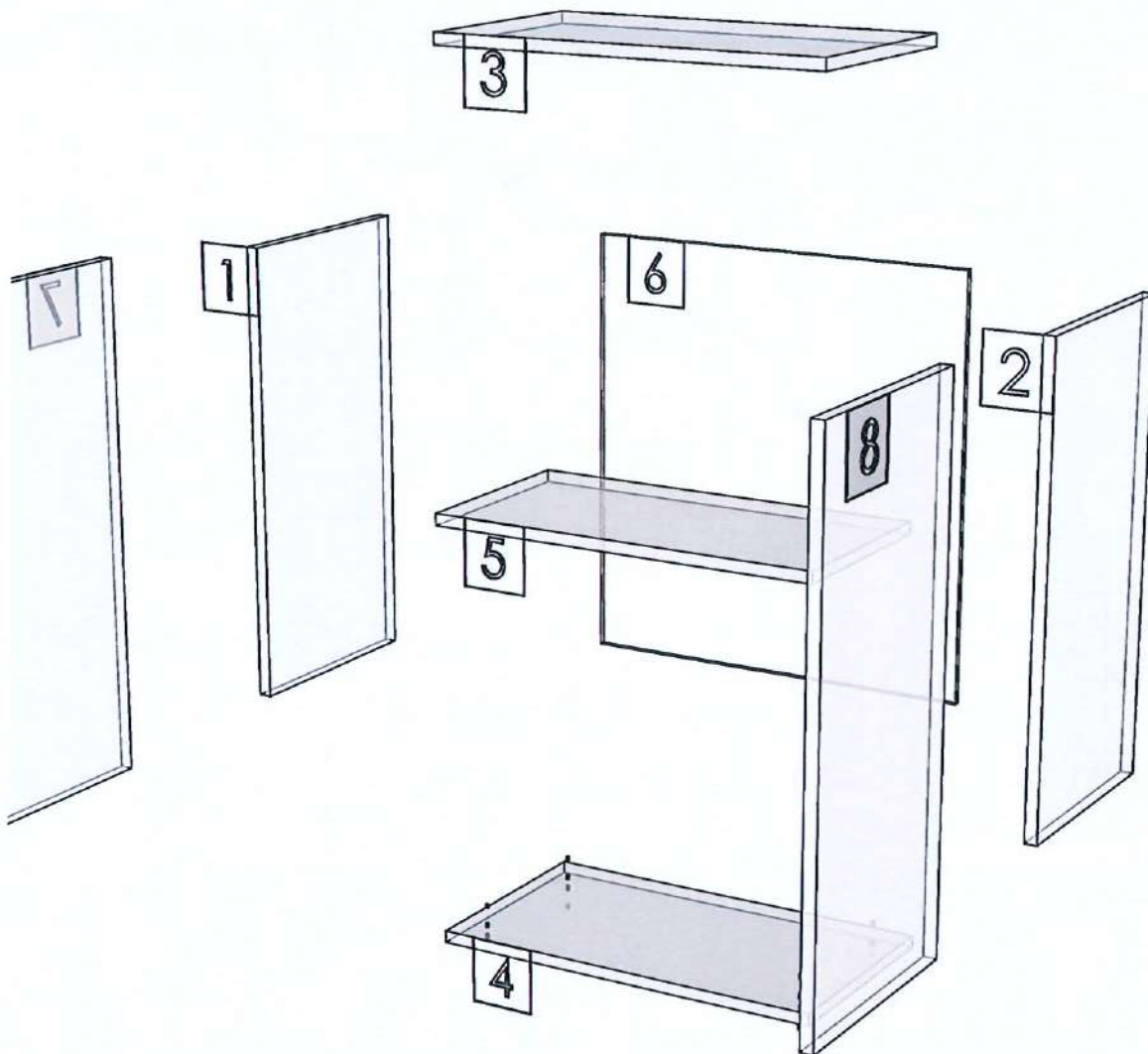
K24L 160134876

R&D REVIEW

- DWG.Customer
- Work Report
- Function
- สินค้าตรงตัวอย่าง

ผู้ทบทวน P.SAWAI31 / 10 / 68

Model	-ROMM_CONVECT_DL65_1		
Creator	SUTTHI.P	.BCP Name	INDEX_C3D_KITCHENPAE
Reviewer		Order	O002821
Approves	<i>P. SAWA</i>	Date	01/10/2025



Model	ROMM_CONVECT_DL60HR_1	.BCP Name	INDEX_C3D_KITCHENPAE
Creator	SUTTHI.P	Order	O002838
Reviewer		Date	04/10/2025
Approves	<i>P. SAWA I</i>		

ROMM_CONVECT_DL60HR_1-600X330X1030

Colour

04.69=PB-E1 4'X8'T LAMINATE WILMIKA TEXT NO. W3125-16
04.691=ALVIC LUMAX-SPP/4'X10'X18MM.-BLANCO SUPPERMATT(LX8
04.692=PB-E1 4'X9'T. LAMINA WILMIKA TEXT NO. W3125-16
04.693=HPL WILMIKA NO. W3125-16/HPL.TD#9201 PL
06.01=TEXTURE DEAD STOCK

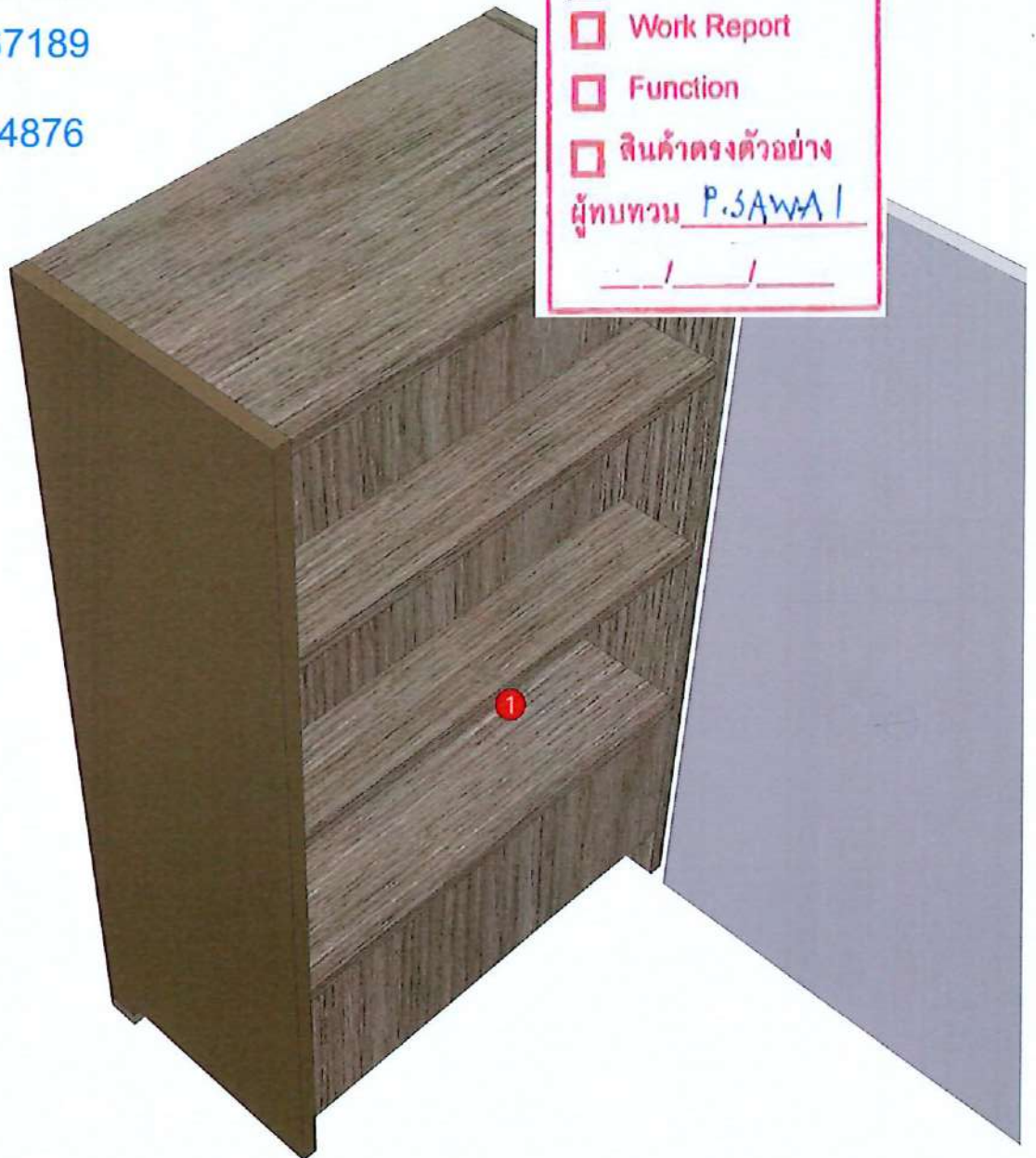
Edge

01.405=1 DWK3125AT
01.47=1 WHITE

K20L 160167142

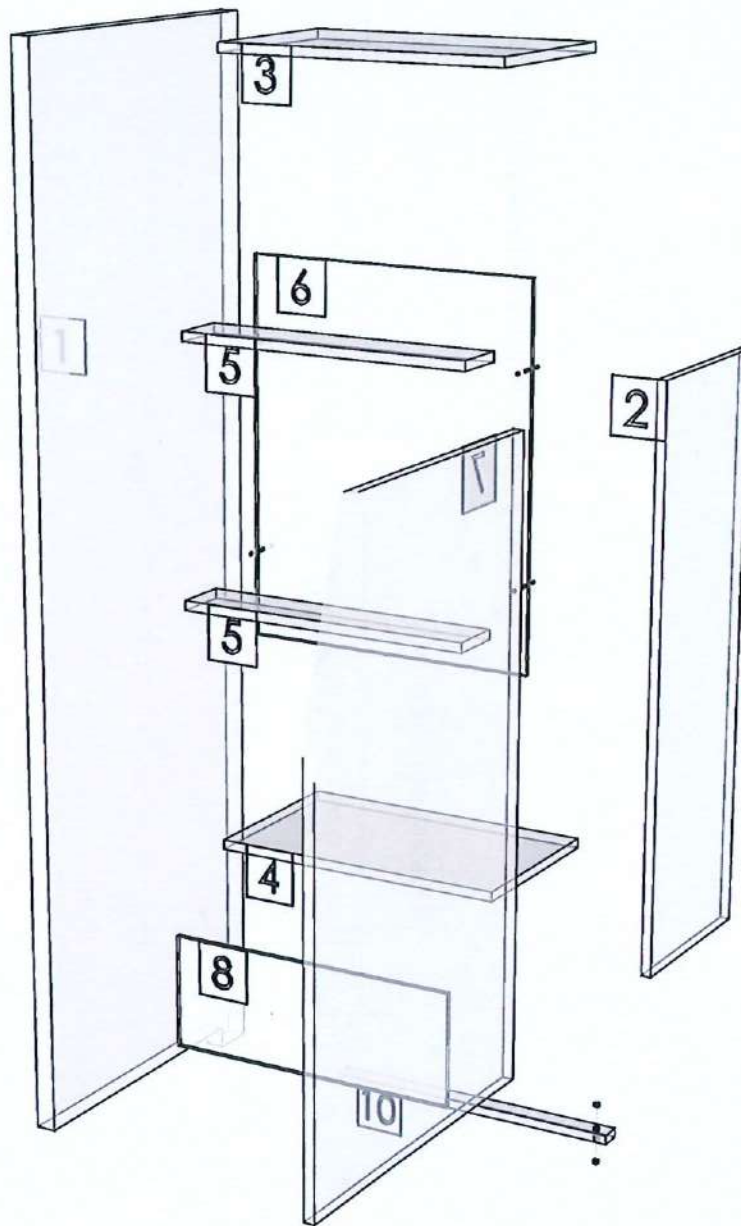
K22R 160167189

K24L 160134876



R&D REVIEW	
<input checked="" type="checkbox"/>	DWG.Customer
<input type="checkbox"/>	Work Report
<input type="checkbox"/>	Function
<input type="checkbox"/>	สินค้าตรงตัวอย่าง
ผู้ทบทวน <u>P.SAWA I</u>	
____/____/____	

Model	-ROMM_CONVECT_DL60HR_1		
Creator	SUTTHI.P	.BCP Name	INDEX_C3D_KITCHENPAE
Reviewer		Order	O002838
Approves	P. SAWA	Date	04/10/2025



Model	ROMM_CONVECT_DL90K24L_1		
Creator	SUTTHI.P	.BCP Name	INDEX_C3D_KITCHENPAE
Reviewer		Order	O002864
Approves	<i>P.SAWA</i>	Date	08/10/2025

ROMM_CONVECT_DL90K24L_1-900X330X700

Colour

04.69=PB-E1 4'X8'T LAMINATE WILMIKA TEXT NO. W3125-16
04.691=ALVIC LUMAX-SPP/4'X10'X18MM.-BLANCO SUPPERMATT(LX8
04.692=PB-E1 4'X9'T. LAMINA WILMIKA TEXT NO. W3125-16
04.693=HPL WILMIKA NO. W3125-16/HPL.TD#9201 PL

Edge

01.405=1 DWK3125AT
01.4051=1 WHITE 01016

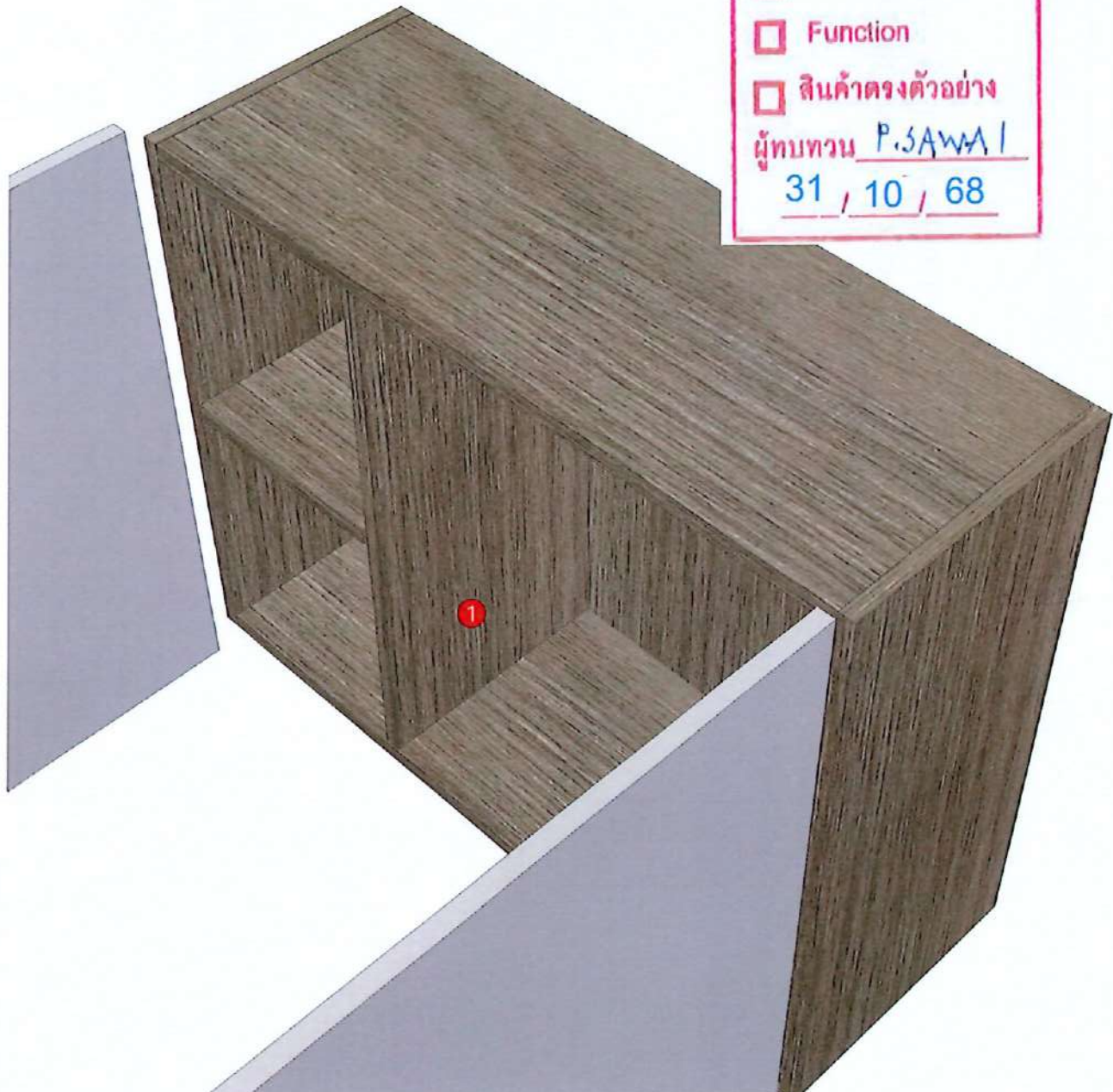
K24L 160134876

R&D REVIEW

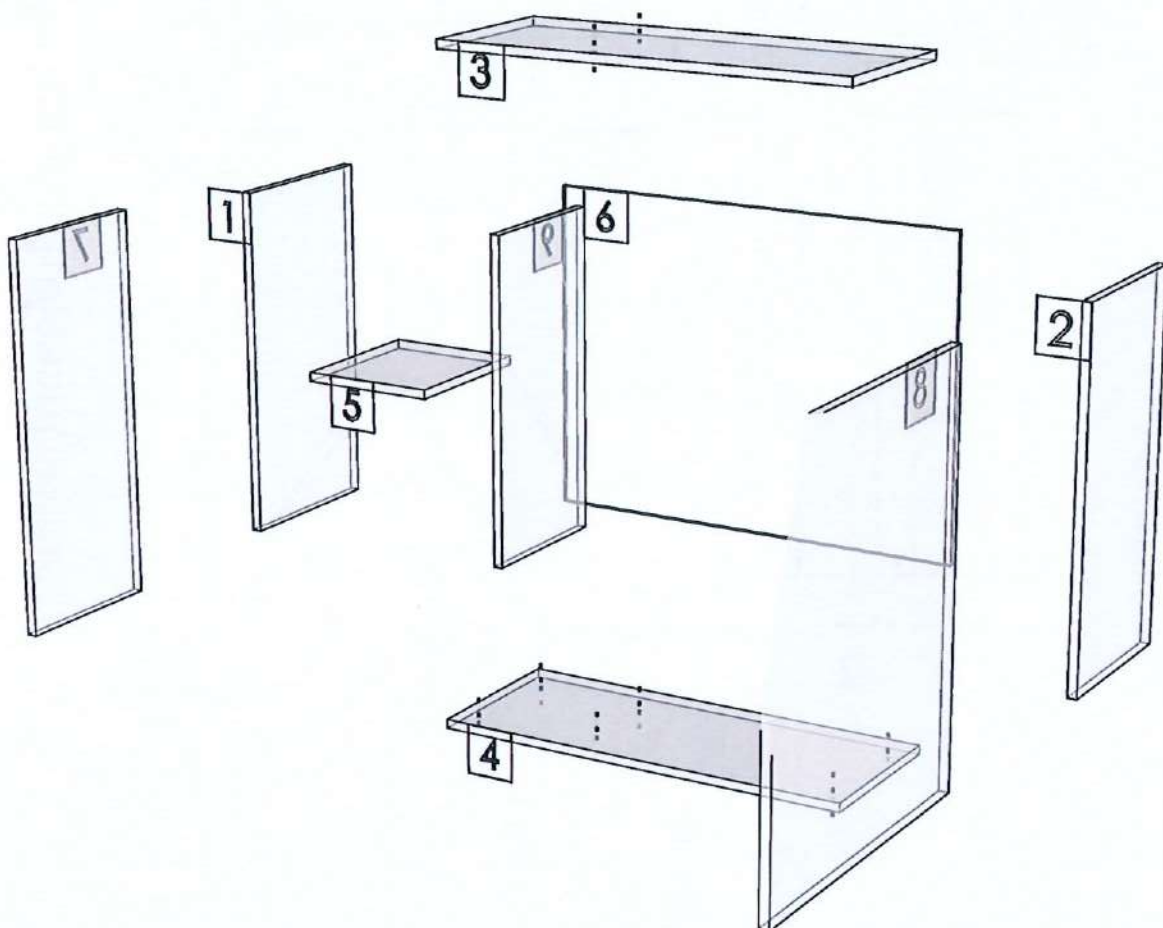
- DWG.Customer
- Work Report
- Function
- สินค้าตรงตัวอย่าง

ผู้ทบทวน P.SAWA

31 / 10 / 68



Model	-ROMM_CONVECT_DL90K24L_1		
Creator	SUTTHI.P	.BCP Name	INDEX_C3D_KITCHENPAE
Reviewer		Order	O002864
Approves	<i>P. SAWA</i>	Date	08/10/2025



Model	ROMM_CONVECT_LED_650_1		
Creator	SUTTHI.P	.BCP Name	INDEX_C3D_KITCHENPAE
Reviewer		Order	O002918
Approves	<i>P. SAWA</i>	Date	14/10/2025

ROMM_CONVECT_LED_650_1-650X310X18

Colour

04.69=PB-E1 4'X8'T LAMINATE WILMIKA TEXT NO. W3125-16
04.691=ALVIC LUMAX-SPP/4'X10'X18MM.-BLANCO SUPPERMATT(LX8)

Edge

01.405=1 DWK3125AT
01.4051=1 WHITE 01016

K20L 160167142

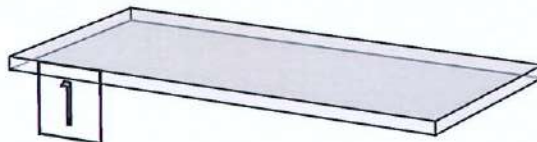
K22R 160167189

K24L 160134876

R&D REVIEW	
<input checked="" type="checkbox"/>	DWG.Customer
<input type="checkbox"/>	Work Report
<input type="checkbox"/>	Function
<input type="checkbox"/>	สินค้าตรงตัวอย่าง
ผู้ทบทวน <u>P.SAWA</u>	
<u>31 / 10 / 68</u>	



Model	-ROMM_CONVECT_LED_650_1		
Creator	SUTTHI.P	.BCP Name	INDEX_C3D_KITCHENPAE
Reviewer		Order	O002918
Approves	<i>P. SAWA</i>	Date	14/10/2025



Model	ROMM_CONVECT_LED_880_1		
Creator	SUTTHI.P	.BCP Name	INDEX_C3D_KITCHENPAE
Reviewer		Order	O002922
Approves	P. SAWA	Date	14/10/2025

ROMM_CONVECT_LED_880_1-880X310X18

Colour

04.69=PB-E1 4'X8'T LAMINATE WILMIKA TEXT NO. W3125-16
04.691=ALVIC LUMAX-SPP/4'X10'X18MM.-BLANCO SUPPERMATT(LX8)

Edge

01.405=1 DWK3125AT
01.4051=1 WHITE 01016

K7R 160167026

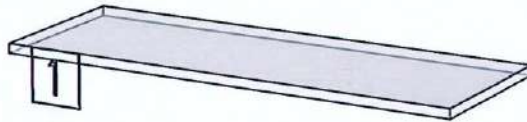
K17L 160167121

K24L 160134876

R&D REVIEW	
<input checked="" type="checkbox"/>	DWG.Customer
<input type="checkbox"/>	Work Report
<input type="checkbox"/>	Function
<input type="checkbox"/>	สินค้าตรงตัวอย่าง
ผู้ทบทวน <u>P.SAWA</u>	
<u>31 / 10 / 68</u>	



Model	-ROMM_CONVECT_LED_880_1		
Creator	SUTTHI.P	.BCP Name	INDEX_C3D_KITCHENPAE
Reviewer		Order	0002922
Approves	<i>P. SAWA</i>	Date	14/10/2025



Model	ROMM_CONVECT_DDM_650_1		
Creator	SUTTHI.P	.BCP Name	INDEX_C3D_KITCHENPAE
Reviewer		Order	0002891
Approves	P. SAWA	Date	11/10/2025

ROMM_CONVECT_DDM_650_1-650X18X135

Colour

04.69=PB-E1 4'X8'T LAMINATE WILMIKA TEXT NO. W3125-16

04.691=ALVIC LUMAX-SPP/4'X10'X18MM.-BLANCO SUPPERMATT(LX8

Edge

01.405=1 DWK3125AT

01.4051=1 WHITE 01016

K20L 160167142

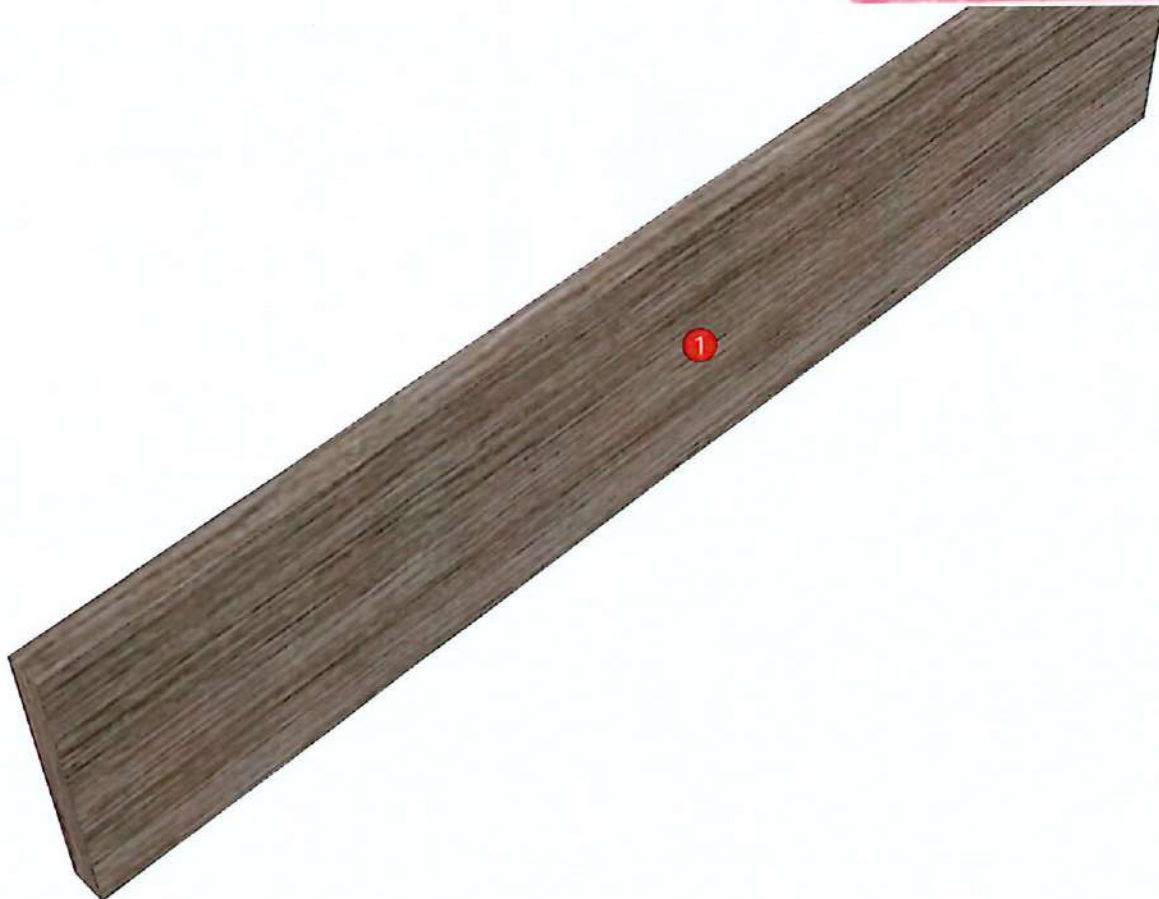
K22R 160167189

K24L 160134876

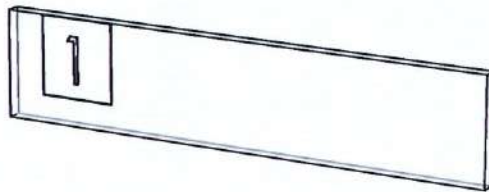
R&D REVIEW DWG.Customer Work Report Function สินค้าตรงตัวอย่าง

ผู้ทบทวน P.SAWA /

31 / 10 / 68



Model	-ROMM_CONVECT_DDM_650_1		
Creator	SUTTHI.P	.BCP Name	INDEX_C3D_KITCHENPAE
Reviewer		Order	O002891
Approves	P. SAWA	Date	11/10/2025



Model	ROMM_CONVECT_DDM_900_1		
Creator	SUTTHI.P	.BCP Name	INDEX_C3D_KITCHENPAE
Reviewer		Order	0002604
Approves	ป. ๕๗๗/๑	Date	09/07/2025

ROMM_CONVECT_DDM_900_1-900X18X135

Colour

04.69=LAMINATE HPL DWK3125AT EDL

04.691=ALVIC LUMAX-SPP/4'X10'X18MM.-BLANCO SUPPERMATT(LX8

Edge

01.405=1 DWK3125AT

01.4051=1 WHITE 01016

K3R 160161323

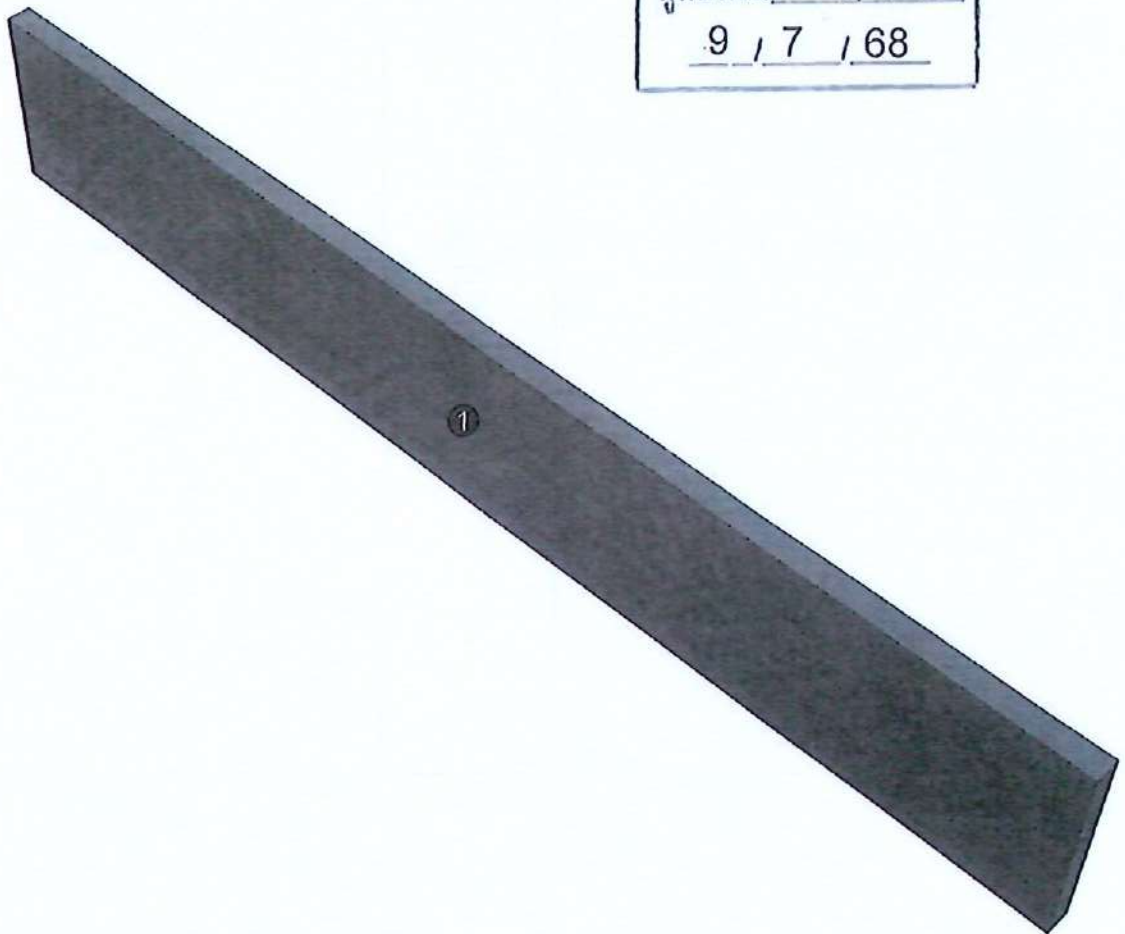
K13L 160161368

K15R 160152736

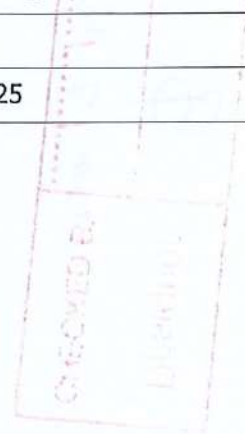
K24L 160134876



R&D REVIEW	
<input checked="" type="checkbox"/>	DWG.Customer
<input type="checkbox"/>	Work Report
<input type="checkbox"/>	Function
<input type="checkbox"/>	สินค้าตรงตัวอย่าง
ผู้ทบทวน <u>P.๕๗๗/๑</u>	
<u>9 / 7 / 68</u>	



Model	-ROMM_CONVECT_DDM_900_1		
Creator	SUTTHI.P	.BCP Name	INDEX_C3D_KITCHENPAE
Reviewer		Order	0002604
Approves	พ. ส. ว. ว. 1	Date	09/07/2025



Model	ROMM_CONVECT_DSH_650K24_1		
Creator	SUTTHI.P	.BCP Name	INDEX_C3D_KITCHENPAE
Reviewer		Order	O002927
Approves	P. SAWA	Date	15/10/2025

ROMM_CONVECT_DSH_650K24_1-650X350X25

Colour

04.69=PB-E1 4'X8'T LAMINATE WILMIKA TEXT NO. W3125-16

04.691=ALVIC LUMAX-SPP/4'X10'X18MM.-BLANCO SUPPERMATT(LX8

Edge

01.405=1 DWK3125AT

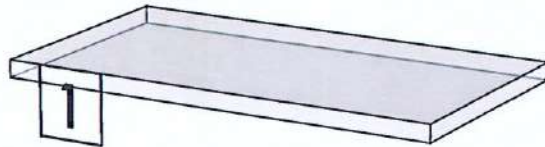
01.47=1 WHITE

K24L 160134876

R&D REVIEW	
<input checked="" type="checkbox"/>	DWG.Customer
<input type="checkbox"/>	Work Report
<input type="checkbox"/>	Function
<input type="checkbox"/>	สินค้าตรงตัวอย่าง
ผู้ทบทวน <u>P.SAWA</u>	
<u>31 / 10 / 68</u>	



Model	-ROMM_CONVECT_DSH_650K24_1		
Creator	SUTTHI.P	.BCP Name	INDEX_C3D_KITCHENPAE
Reviewer		Order	O002927
Approves	<i>P. Sawai</i>	Date	15/10/2025



Model	ROMM_CONVECT_DSH_900R_1		
Creator	SUTTHI.P	.BCP Name	INDEX_C3D_KITCHENPAE
Reviewer		Order	O002928
Approves	P. SAWA	Date	15/10/2025

ROMM_CONVECT_DSH_900R_1-900X350X25

Colour

04.69=PB-E1 4'X8'T LAMINATE WILMIKA TEXT NO. W3125-16
04.691=ALVIC LUMAX-SPP/4'X10'X18MM.-BLANCO SUPPERMATT(LX8)

Edge

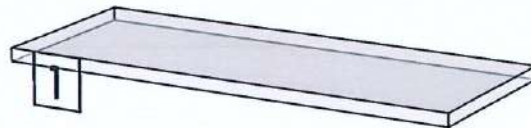
01.405=1 DWK3125AT
01.47=1 WHITE

K24L 160134876

R&D REVIEW	
<input checked="" type="checkbox"/>	DWG.Customer
<input type="checkbox"/>	Work Report
<input type="checkbox"/>	Function
<input type="checkbox"/>	สินค้าตรงตัวอย่าง
ผู้ทบทวน <u>P.SAWA</u>	
<u>31 / 10 / 68</u>	



Model	-ROMM_CONVECT_DSH_900R_1		
Creator	SUTTHI.P	.BCP Name	INDEX_C3D_KITCHENPAE
Reviewer		Order	O002928
Approves	ป. Sawai	Date	15/10/2025



Model	ROMM_CONVECT_DDM_2120_6_1		
Creator	SUTTHI.P	.BCP Name	INDEX_C3D_KITCHENPAE
Reviewer		Order	O002893
Approves	P. SAWA	Date	11/10/2025

ROMM_CONVECT_DDM_2120_6_1-2120X6X375

Colour

04.69=PB-E1 4'X8'T LAMINATE WILMIKA TEXT NO. W3125-16

04.691=ALVIC LUMAX-SPP/4'X10'X18MM.-BLANCO SUPPERMATT(LX8

03.13=PVC WHITE#630 T0.15MM.

Edge

01.405=1 DWK3125AT

01.4051=1 WHITE 01016

K24L 160134876

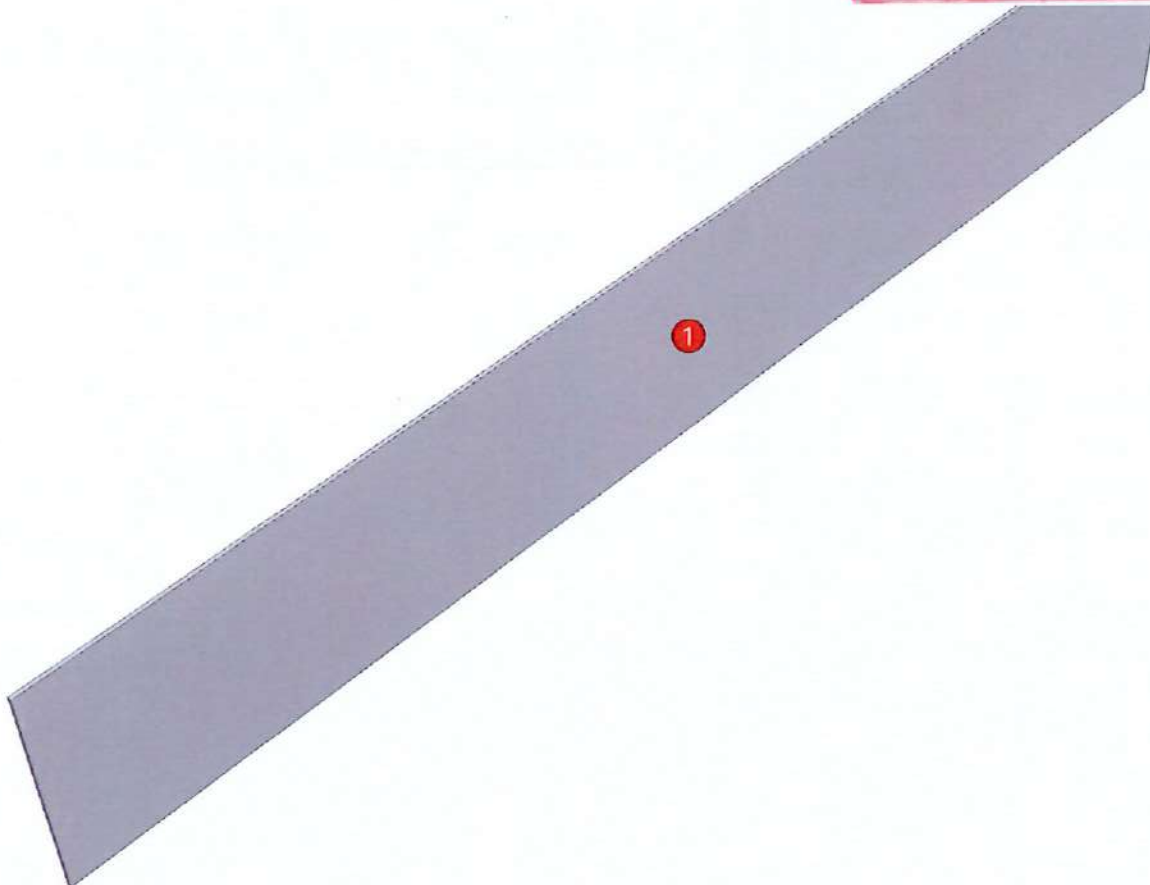
R&D REVIEW

- DWG.Customer
- Work Report
- Function

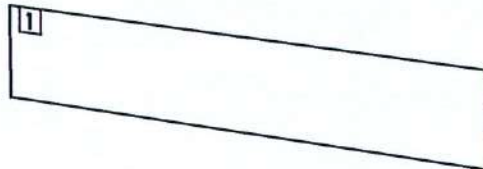
สิ้นค้าตรงตัวอย่าง

ผู้ทบทวน P.SAWA /

31 / 10 / 68



Model	-ROMM_CONVECT_DDM_2120_6_1		
Creator	SUTTHI.P	.BCP Name	INDEX_C3D_KITCHENPAE
Reviewer		Order	O002893
Approves	P. SAWA	Date	11/10/2025



Model	ROMM_CONVECT_DDM_2100_9_1		
Creator	SUTTHI.P	.BCP Name	INDEX_C3D_KITCHENPAE
Reviewer		Order	0002904
Approves	P. SAWAI	Date	11/10/2025

ROMM_CONVECT_DDM_2100_9_1-2100X9X365

Colour

04.69=PB-E1 4'X8'T LAMINATE WILMIKA TEXT NO. W3125-16

04.691=ALVIC LUMAX-SPP/4'X10'X18MM.-BLANCO SUPPERMATT(LX8

05.01=ML WHITE VM1012 18/18

Edge

01.405=1 DWK3125AT

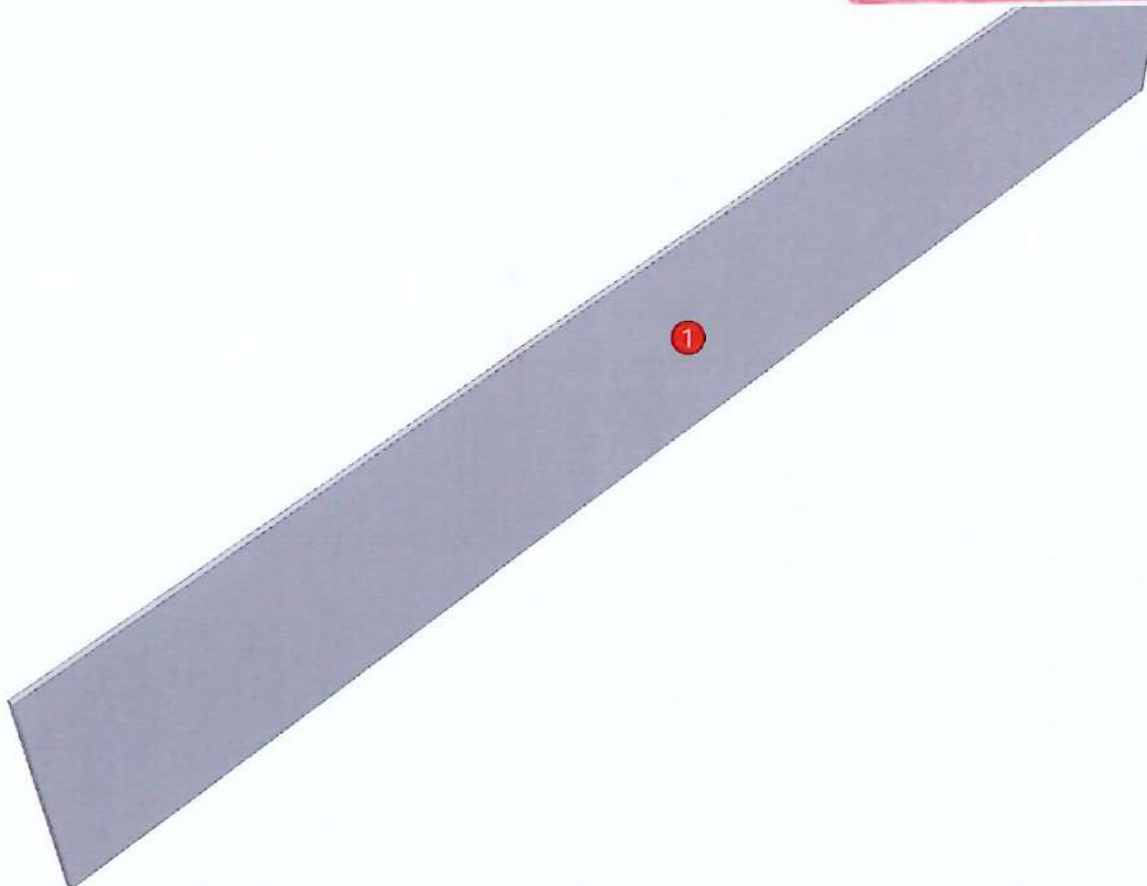
01.4051=1 WHITE 01016

K24L 160134876

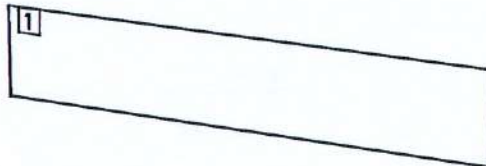
R&D REVIEW DWG.Customer Work Report Function สินค้าตรงตัวอย่าง

ผู้ทบทวน P.SAWAI

31 / 10 / 68



Model	-ROMM_CONVECT_DDM_2100_9_1		
Creator	SUTTHI.P	.BCP Name	INDEX_C3D_KITCHENPAE
Reviewer		Order	O002904
Approves	P. SAWA	Date	11/10/2025



Model	ROMM_CONVECT_DFCL_1350_1		
Creator	SUTTHI.P	.BCP Name	INDEX_C3D_KITCHENPAE
Reviewer		Order	O002617
Approves	พ. Sawal	Date	09/07/2025

ROMM_CONVECT_DFCL_1350_1-1350X9X100

Colour

04.69=PB-E1 4'X8'T LAMINATE WILMIKA TEXT NO. W3125-16

04.691=ALVIC LUMAX-SPP/4'X10'X18MM.-BLANCO SUPPERMATT(LX8

Edge

01.405=1 DWK3125AT

01.4051=1 WHITE 01016

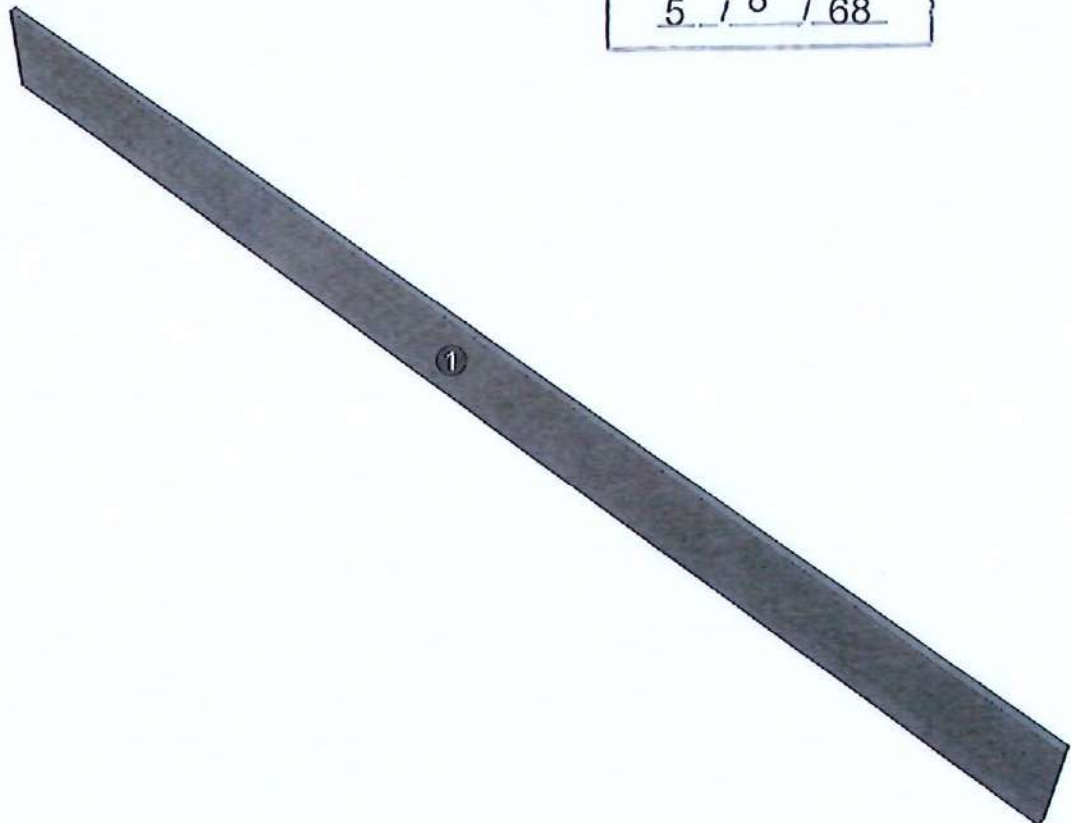
K4L 160166148

K6L 160160455

K18R 160161391

 K24L 160134876

R&D REVIEW	
<input checked="" type="checkbox"/>	DWG.Customer
<input type="checkbox"/>	Work Report
<input type="checkbox"/>	Function
<input type="checkbox"/>	สินค้าตรงตัวอย่าง
ผู้ทบทวน <u>พ. Sawal</u>	
<u>5 / 8 / 68</u>	



Model	-ROMM_CONVECT_DFCL_1350_1		
Creator	SUTTHI.P	.BCP Name	INDEX_C3D_KITCHENPAE
Reviewer		Order	0002617
Approves	P. SAWA	Date	09/07/2025



Model	ROMM_CONVECT_DFCL_600_1		
Creator	SUTTHI.P	.BCP Name	INDEX_C3D_KITCHENPAE
Reviewer		Order	O002765
Approves	P. SAWA I	Date	13/08/2025

ROMM_CONVECT_DFCL_600_1-600X9X100

Colour

04.69=PB-E1 4'X8'T LAMINATE WILMIKA TEXT NO. W3125-16

04.691=ALVIC LUMAX-SPP/4'X10'X18MM.-BLANCO SUPPERMATT(LX8

Edge

01.405=1 DWK3125AT

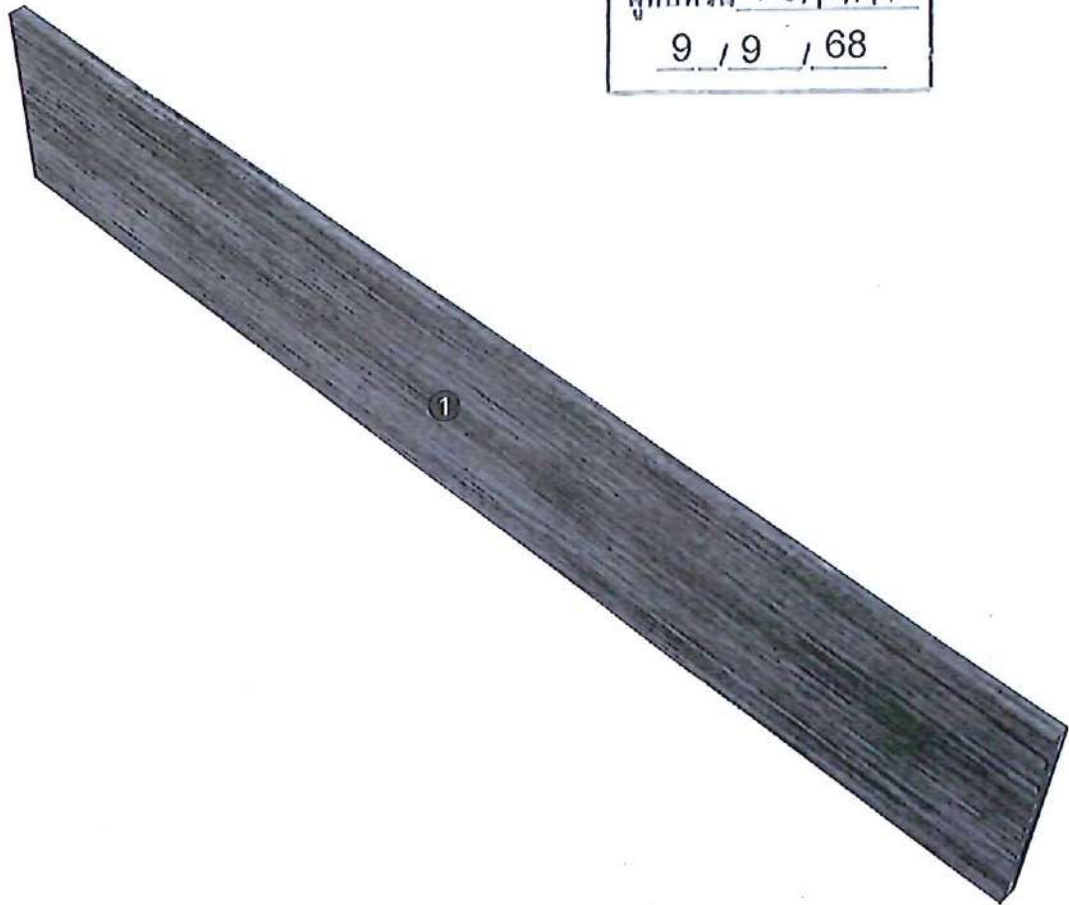
01.47=1 WHITE

K13L 160161368



K24L 160134876

R&D REVIEW	
<input checked="" type="checkbox"/>	DWG.Customer
<input type="checkbox"/>	Work Report
<input type="checkbox"/>	Function
<input type="checkbox"/>	สินค้าตรงตัวอย่าง
ผู้ทบทวน P.SAWA I	
9 / 9 / 68	



Model	-ROMM_CONVECT_DFCL_600_1		
Creator	SUTTHI.P	.BCP Name	INDEX_C3D_KITCHENPAE
Reviewer		Order	0002765
Approves	P. SAWA	Date	13/08/2025



Model	ROMM_CONVECT_DFCL_2120_1	.BCP Name	INDEX_C3D_KITCHENPAE
Creator	SUTTHI,P	Order	O002876
Reviewer		Date	11/10/2025
Approves	<i>P. SAWA</i>		

ROMM_CONVECT_DFCL_2120_1-2120X9X100

Colour

04.69=PB-E1 4'X8'T LAMINATE WILMIKA TEXT NO. W3125-16

04.691=ALVIC LUMAX-SPP/4'X10'X18MM.-BLANCO SUPPERMATT(LX8

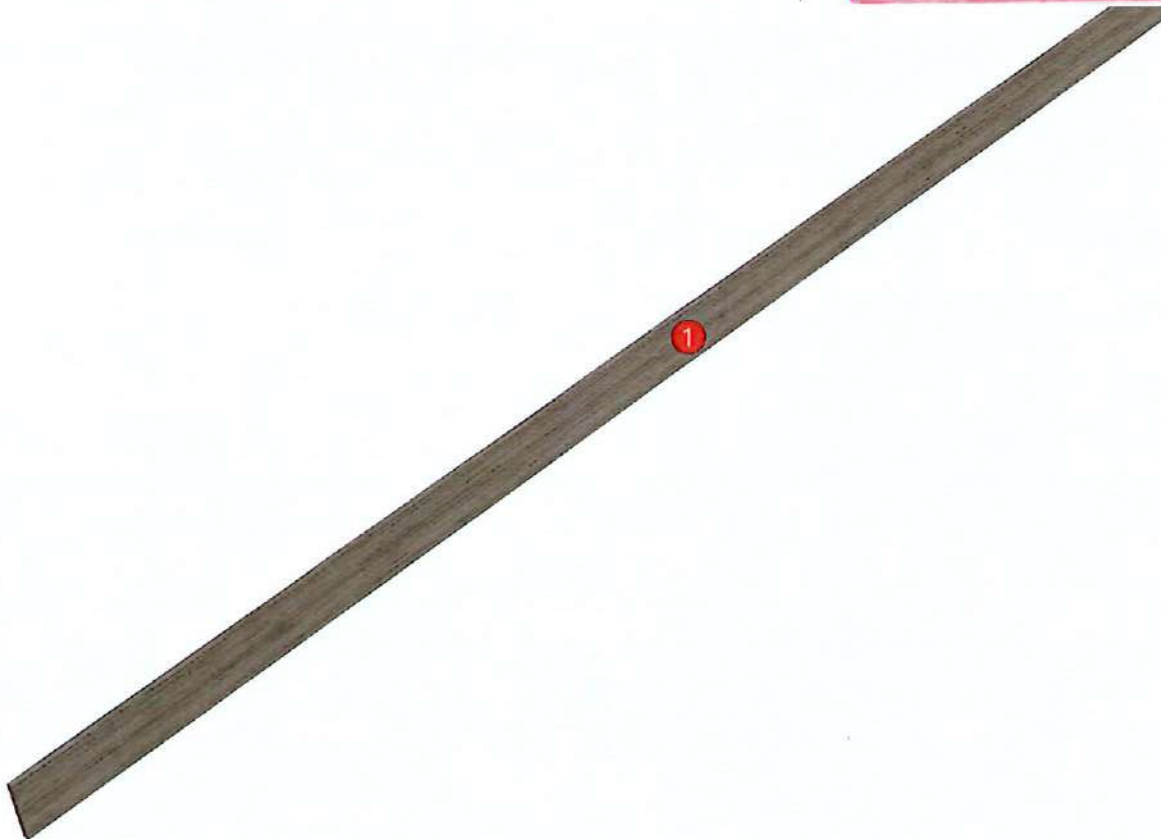
Edge

01.405=1 DWK3125AT

01.4051=1 WHITE 01016

K24L 160134876

R&D REVIEW	
<input checked="" type="checkbox"/>	DWG.Customer
<input type="checkbox"/>	Work Report
<input type="checkbox"/>	Function
<input type="checkbox"/>	สินค้าตรงตัวอย่าง
ผู้ทบทวน <u>P.SAWA</u>	
<u>31 / 10 / 68</u>	



Model	-ROMM_CONVECT_DFCL_2120_1		
Creator	SUTTHI.P	.BCP Name	INDEX_C3D_KITCHENPAE
Reviewer		Order	0002876
Approves	พ. ส. ว. ว. 1	Date	11/10/2025



Model	ROMM_CONVECT_DFCL_330_1		
Creator	SUTTHI.P	.BCP Name	INDEX_C3D_KITCHENPAE
Reviewer		Order	O002624
Approves	พ. งาม	Date	09/07/2025

ROMM_CONVECT_DFCL_330_1-330X9X100

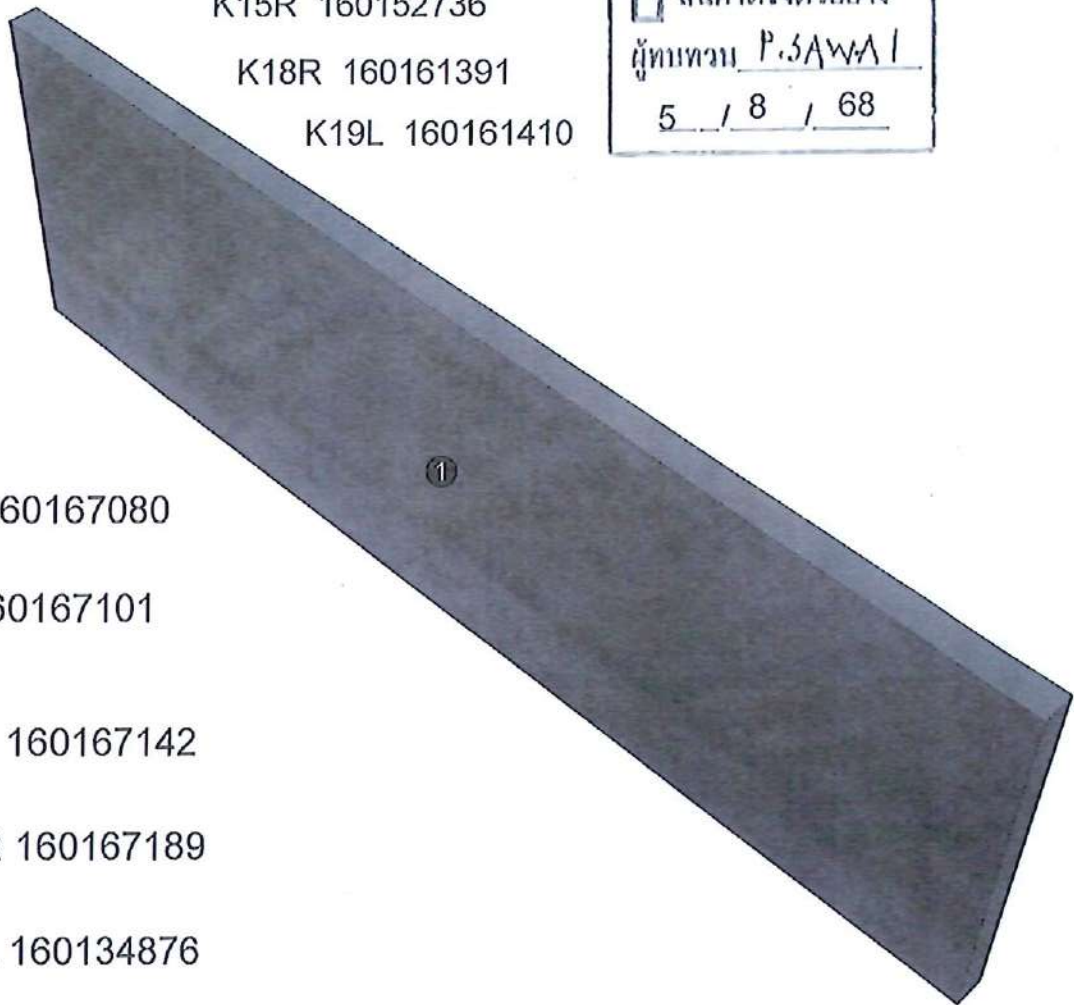
Colour
04.69=PB-E1 4'X8'T LAMINATE WILMIKA TEXT NO. W3125-16
04.691=ALVIC LUMAX-SPP/4'X10'X18MM.-BLANCO SUPPERMATT(LX8)

Edge
01.405=1 DWK3125AT
01.4051=1 WHITE 01016

K1R 160160423 K6L 160160455
K3R 160161323 K10R 160161347
K4L 160166148 K13L 160161368
K5R 160152669 K14L 160152715

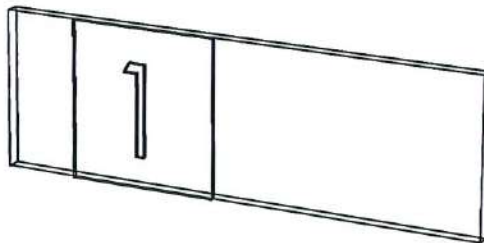
K15R 160152736
K18R 160161391
K19L 160161410

R&D REVIEW	
<input checked="" type="checkbox"/>	DWG.Customer
<input type="checkbox"/>	Work Report
<input type="checkbox"/>	Function
<input type="checkbox"/>	สินค้าตรงตัวอย่าง
ผู้ทบทวน <u>P.งาม</u>	
5 / 8 / 68	



- K12R 160167080
- K16L 160167101
- K20L 160167142
- K22R 160167189
- K24L 160134876

Model	-ROMM_CONVECT_DFCL_330_1		
Creator	SUTTHI.P	.BCP Name	INDEX_C3D_KITCHENPAE
Reviewer		Order	0002624
Approves	พ. ส. ว. ว. 1	Date	09/07/2025



Model	ROMM_CONVECT_DPLT_560G_1		
Creator	SUTTHI.P	.BCP Name	INDEX_C3D_KITCHENPAE
Reviewer		Order	0002856
Approves	<i>P. SAWA I</i>	Date	08/10/2025

ROMM_CONVECT_DPLT_560G_1-560X9X100

Colour

04.69=PB-E1 4'X8'T LAMINATE WILMIKA TEXT NO. W3125-16

04.691=ALVIC LUMAX-SPP/4'X10'X18MM.-BLANCO SUPPERMATT(LX8

Edge

01.405=1 DWK3125AT

01.47=1 WHITE

K20L 160167142

K22R 160167189

K24L 160134876

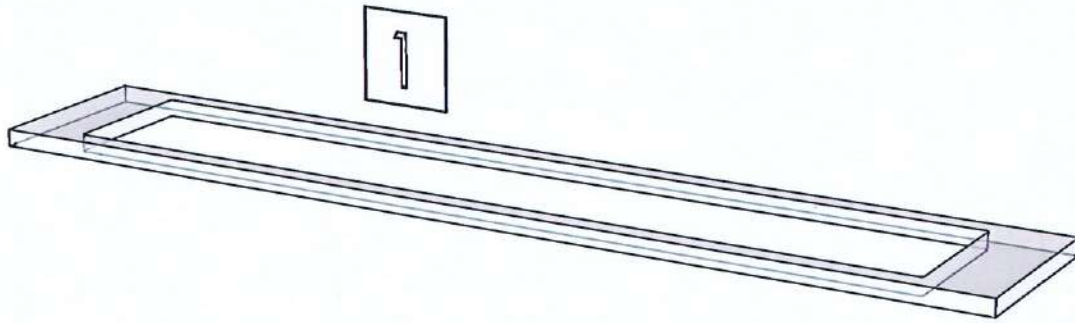
R&D REVIEW	
<input checked="" type="checkbox"/>	DWG.Customer
<input type="checkbox"/>	Work Report
<input type="checkbox"/>	Function
<input type="checkbox"/>	สินค้าตรงตัวอย่าง
ผู้ทบทวน <u>P.SAWA I</u>	
<u>31/ 10/ 68</u>	

เจาะช่องใส่ตะแกรง (R2)

1



Model	-ROMM_CONVECT_DPLT_560G_1		
Creator	SUTTHI.P	.BCP Name	INDEX_C3D_KITCHENPAE
Reviewer		Order	0002856
Approves	<i>ป. Sawan</i>	Date	08/10/2025



Model	ROMM_CONVECT_DPLT_1480_1		
Creator	SUTTHI.P	.BCP Name	INDEX_C3D_KITCHENPAE
Reviewer		Order	0002844
Approves	P. Sawal	Date	08/10/2025

ROMM_CONVECT_DPLT_1480_1-1480X9X100

Colour

04.69=PB-E1 4'X8'T LAMINATE WILMIKA TEXT NO. W3125-16

04.691=ALVIC LUMAX-SPP/4'X10'X18MM.-BLANCO SUPPERMATT(LX8

Edge

01.405=1 DWK3125AT

01.47=1 WHITE

K24L 160134876

R&D REVIEW	
<input checked="" type="checkbox"/>	DWG.Customer
<input type="checkbox"/>	Work Report
<input type="checkbox"/>	Function
<input type="checkbox"/>	สินค้าตรงตัวอย่าง
ผู้ทบทวน <u>P.SAWAL</u>	
<u>31</u> / <u>10</u> / <u>68</u>	



Model	-ROMM_CONVECT_DPLT_1480_1		
Creator	SUTTHI.P	.BCP Name	INDEX_C3D_KITCHENPAE
Reviewer		Order	0002844
Approves	พ. Sawai	Date	08/10/2025

11

Model	ROMM_CONVECT_DPLT_2320_1		
Creator	SUTTHI.P	.BCP Name	INDEX_C3D_KITCHENPAE
Reviewer		Order	O002855
Approves	<i>P. SAWA</i>	Date	08/10/2025

ROMM_CONVECT_DPLT_2320_1-2320X9X100

Colour

04.69=PB-E1 4'X8'T LAMINATE WILMIKA TEXT NO. W3125-16

04.691=ALVIC LUMAX-SPP/4'X10'X18MM.-BLANCO SUPPERMATT(LX8

Edge

01.405=1 DWK3125AT

01.47=1 WHITE

K12R 160167080

K24L 160134876

R&D REVIEW

- DWG.Customer
- Work Report
- Function
- สินค้าตรงตัวอย่าง

ผู้ทบทวน P.SAWA

31, 10, 68



Model	-ROMM_CONVECT_DPLT_2320_1		
Creator	SUTTHI.P	.BCP Name	INDEX_C3D_KITCHENPAE
Reviewer		Order	O002855
Approves	พ. SAWA	Date	08/10/2025



Model	ROMM_CONVECT_DUT_2100_1		
Creator	SUTTHI.P	.BCP Name	INDEX_C3D_KITCHENPAE
Reviewer		Order	O002655
Approves	ป. Sawan	Date	10/07/2025

ROMM_CONVECT_DUT_2100_1-2100X16X50

Colour

04.69=LAMINATE HPL DWK3125AT EDL
04.691=ALVIC LUMAX-SPP/4'X10'X18MM.-BLANCO SUPPERMATT(LX8)
05.01=ML WHITE VM1012 18/18

Edge

01.405=1 DWK3125AT
01.4051=1 WHITE 01016
01.47=1 WHITE

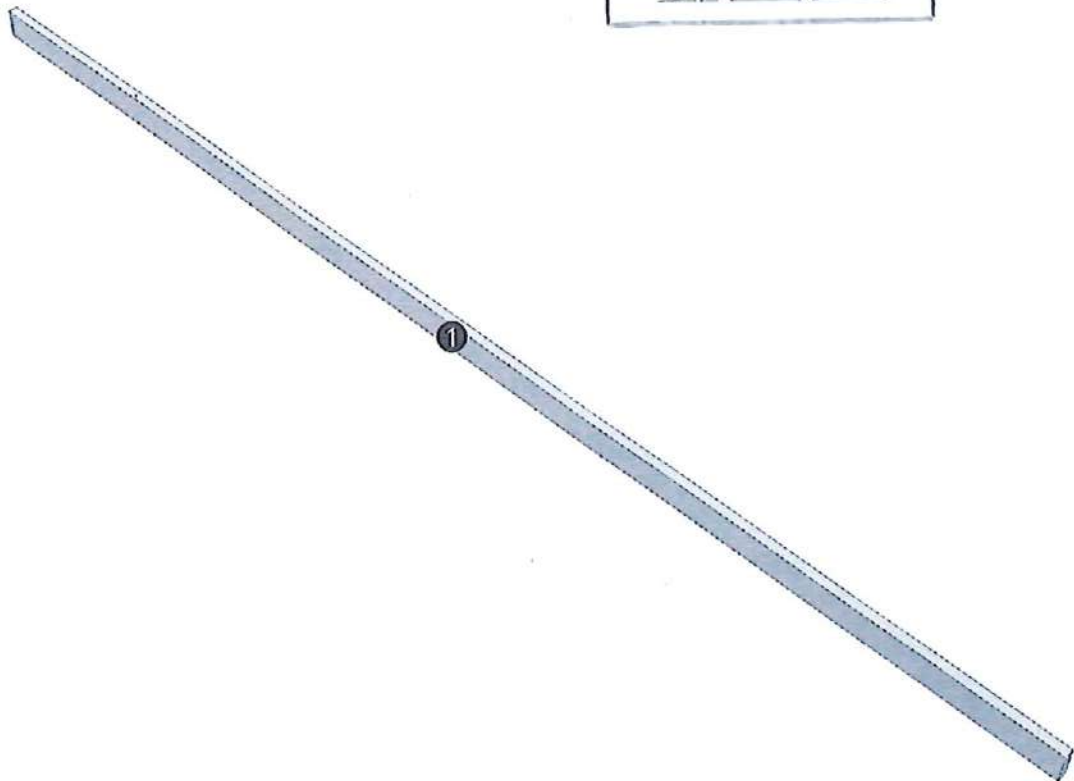
K3R 160161323

K4L 160166148



K24L 160134876

R&D REVIEW	
<input checked="" type="checkbox"/>	DWG.Customer
<input type="checkbox"/>	Work Report
<input type="checkbox"/>	Function
<input type="checkbox"/>	สินค้าตรงตัวอย่าง
ผู้ทบทวน <u>P.SAWAN</u>	
<u>9 / 7 / 68</u>	



Model	-ROMM_CONVECT_DUT_2100_1		
Creator	SUTTHI.P	.BCP Name	INDEX_C3D_KITCHENPAE
Reviewer		Order	O002655
Approves	<i>พ. SAWA</i>	Date	10/07/2025



Model	ROMM_CONVECT_DUT_2400IK24_1		
Creator	SUTTHI.P	.BCP Name	INDEX_C3D_KITCHENPAE
Reviewer		Order	O002907
Approves	<i>P. SAWA</i>	Date	14/10/2025

ROMM_CONVECT_DUT_2400IK24_1-2400X800X18

Colour

04.69=PB-E1 4'X8'T LAMINATE WILMIKA TEXT NO. W3125-16
04.691=ALVIC LUMAX-SPP/4'X10'X18MM.-BLANCO SUPPERMATT(LX8
05.01=ML WHITE VM1012 18/18

Edge

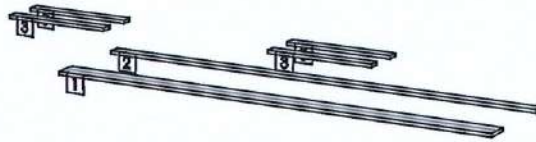
01.405=1 DWK3125AT
01.4051=1 WHITE 01016
01.47=1 WHITE

K24L 160134876

R&D REVIEW	
<input checked="" type="checkbox"/>	DWG.Customer
<input type="checkbox"/>	Work Report
<input type="checkbox"/>	Function
<input type="checkbox"/>	สินค้าตรงตัวอย่าง
ผู้ทบทวน <u>P.SAWA</u>	
<u>31 / 10 / 68</u>	



Model	-ROMM_CONVECT_DUT_2400IK24_1		
Creator	SUTTHI.P	.BCP Name	INDEX_C3D_KITCHENPAE
Reviewer		Order	O002907
Approves	<i>พ. SAWA</i>	Date	14/10/2025



Model	ROMM_CONVECT_DFT_1		
Creator	SUTTHI.P	.BCP Name	INDEX_C3D_KITCHENPAE
Reviewer		Order	O002881
Approves	<i>P. SAWA</i>	Date	11/10/2025

ROMM_CONVECT_DFT_1-100X600X2650

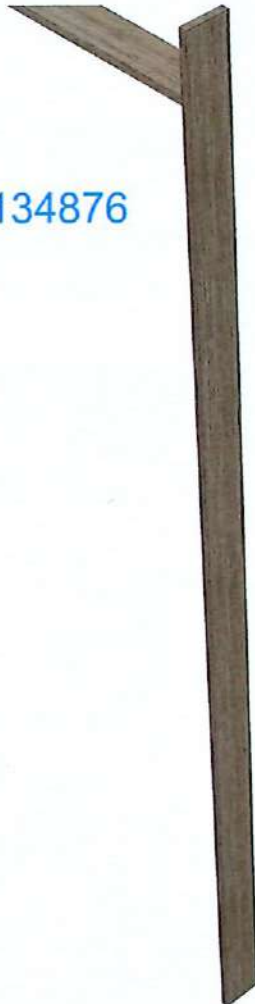
Colour

04.69=PB-E1 4'X8'T LAMINATE WILMIKA TEXT NO. W3125-16
04.691=ALVIC LUMAX-SPP/4'X10'X18MM.-BLANCO SUPPERMATT(LX8
04.692=PB-E1 4'X9'T. LAMINA WILMIKA TEXT NO. W3125-16
04.693=HPL WILMIKA NO. W3125-16/HPL.TD#9201 PL

Edge

01.405=1 DWK3125AT
01.47=1 WHITE

K24L 160134876



R&D REVIEW	
<input checked="" type="checkbox"/>	DWG.Customer
<input type="checkbox"/>	Work Report
<input type="checkbox"/>	Function
<input type="checkbox"/>	สินค้าตรงตัวอย่าง
ผู้ทบทวน <u>P.SAWA</u>	
<u>31 / 10 / 68</u>	



Model	-ROMM_CONVECT_DFT_1		
Creator	SUTTHI.P	.BCP Name	INDEX_C3D_KITCHENPAE
Reviewer		Order	0002881
Approves	พ. ส. ว. ว. 1	Date	11/10/2025

2

1

Model	ROMM_CONVECT_DEP2320_1	.BCP Name	INDEX_C3D_KITCHENPAE
Creator	SUTTHI.P	Order	0002933
Reviewer		Date	15/10/2025
Approves	<i>P. SAWA</i>		

ROMM_CONVECT_DEP2320_1-2320X18X860

Colour

04.69=PB-E1 4'X8'T LAMINATE WILMIKA TEXT NO. W3125-16

04.691=ALVIC LUMAX-SPP/4'X10'X18MM.-BLANCO SUPPERMATT(LX8

Edge

01.405=1 DWK3125AT

01.4051=1 WHITE 01016

K12R 160167080

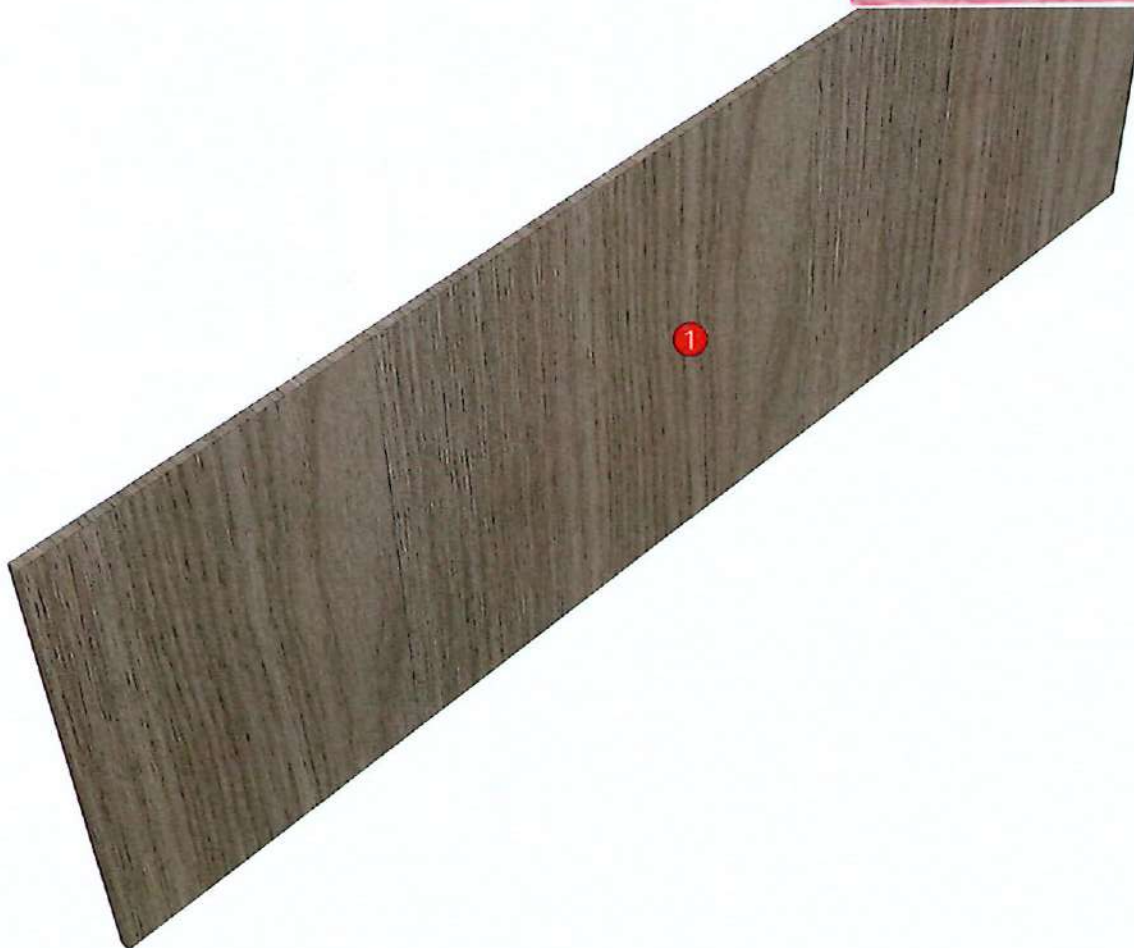
K24L 160134876

R&D REVIEW

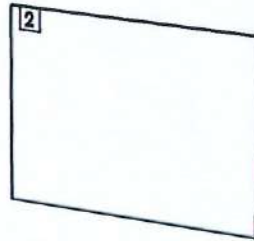
- DWG.Customer
- Work Report
- Function
- สิ้นค้าตรงตัวอย่าง

ผู้ทบทวน P.SAWA

31 / 10 / 68



Model	-ROMM_CONVECT_DEP2320_1		
Creator	SUTTHI.P	.BCP Name	INDEX_C3D_KITCHENPAE
Reviewer		Order	0002933
Approves	P. SAWA	Date	15/10/2025



Model	ROMM_CONVECT_DEPB_1		
Creator	SUTTHI.P	.BCP Name	INDEX_C3D_KITCHENPAE
Reviewer		Order	O002929
Approves	P.SAWA	Date	15/10/2025

ROMM_CONVECT_DEPB_1-570X18X830

Colour

04.69=PB-E1 4'X8'T LAMINATE WILMIKA TEXT NO. W3125-16

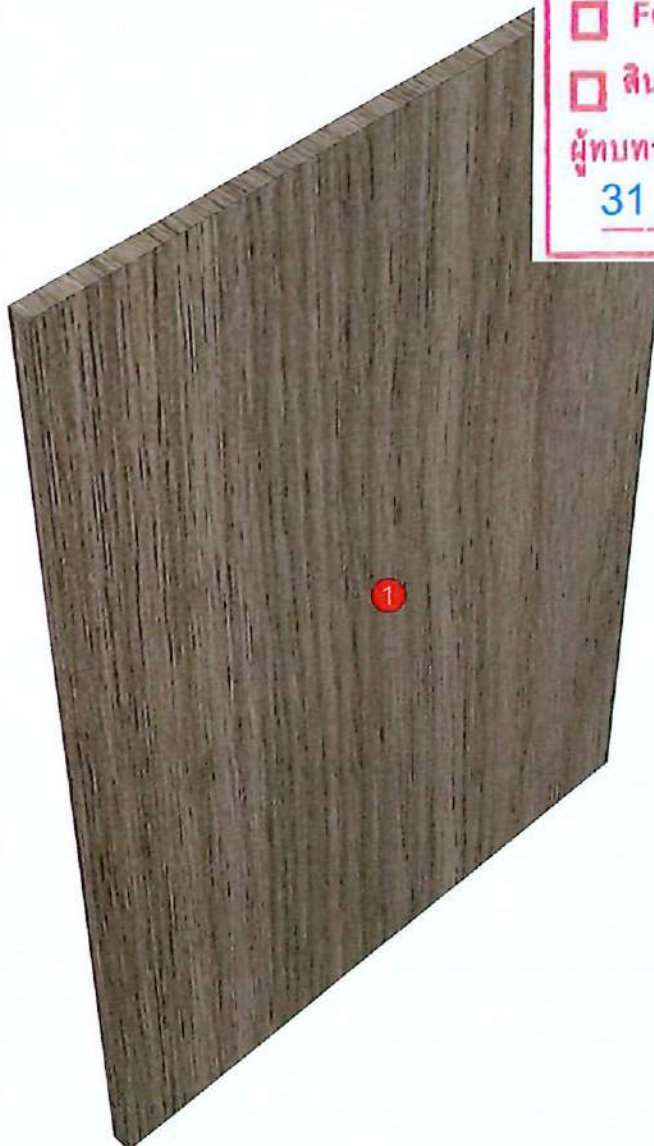
04.691=ALVIC LUMAX-SPP/4'X10'X18MM.-BLANCO SUPPERMATT(LX8

Edge

01.405=1 DWK3125AT

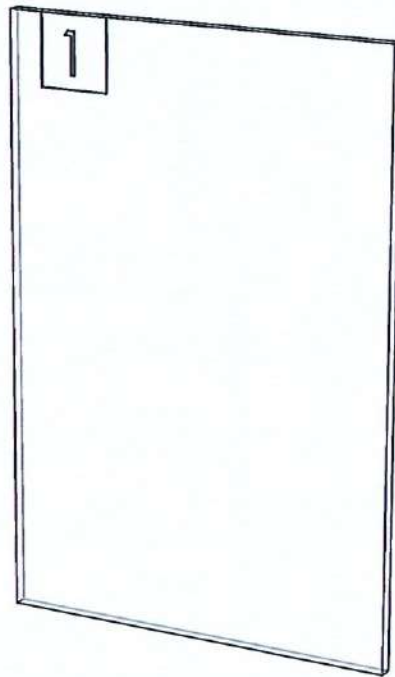
01.4051=1 WHITE 01016

K24L 160134876



R&D REVIEW	
<input checked="" type="checkbox"/>	DWG.Customer
<input type="checkbox"/>	Work Report
<input type="checkbox"/>	Function
<input type="checkbox"/>	สินค้าตรงตัวอย่าง
ผู้ทบทวน <u>P.SAWA</u>	
<u>31 / 10 / 68</u>	

Model	-ROMM_CONVECT_DEPB_1		
Creator	SUTTHI.P	.BCP Name	INDEX_C3D_KITCHENPAE
Reviewer		Order	O002929
Approves	<i>P. SAWA</i>	Date	15/10/2025



Model	ROMM_CONVECT_DEP_800I_1		
Creator	SUTTHI.P	.BCP Name	INDEX_C3D_KITCHENPAE
Reviewer		Order	O002759
Approves	P. Sawal	Date	13/08/2025

ROMM_CONVECT_DEP_800I_1-800X12X860

Colour	Edge
04.69=PB-E1 4'X8'T LAMINATE WILMIKA TEXT NO. W3125-16	01.405=1 DWK3125AT
04.691=ALVIC LUMAX-SPP/4'X10'X18MM.-BLANCO SUPPERMATT(LX8	01.4051=1 WHITE 01016
05.01=ML WHITE VM1012 18/18	01.47=1 WHITE

K10R 160161347

K13L 160161368

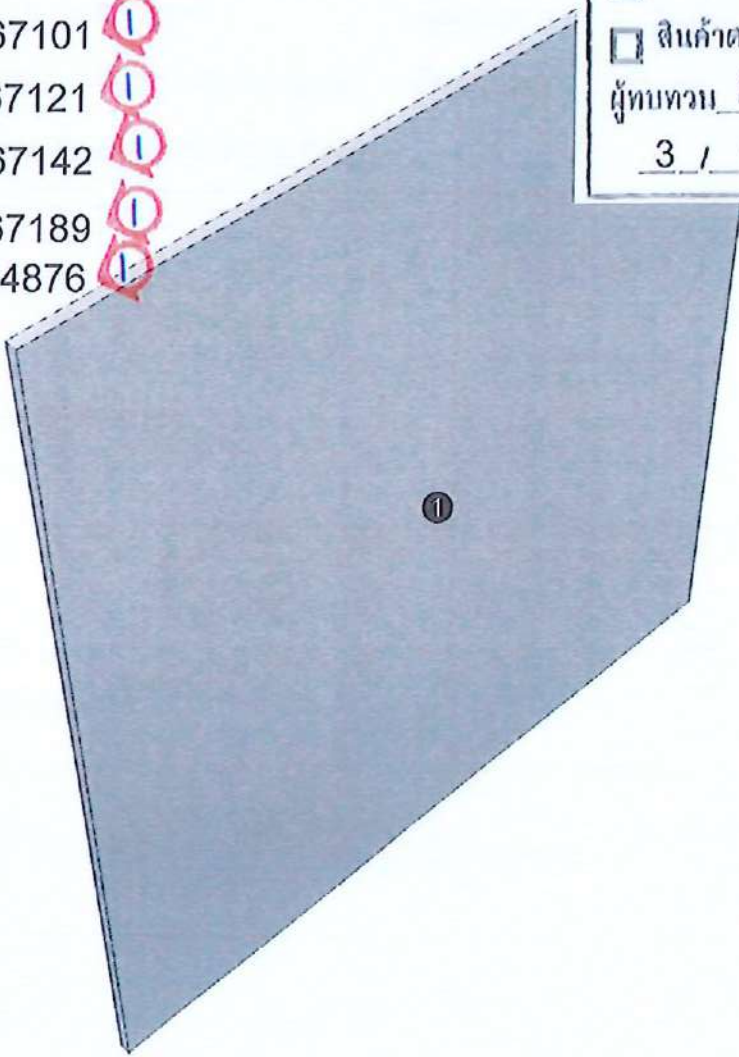
K16L 160167101

K17L 160167121

K20L 160167142

K22R 160167189

K24L 160134876



R&D REVIEW

DWG.Customer

Work Report

Function

สินค้าตรงตัวอย่าง

ผู้ทบทวน P.Sawal

3 / 9 / 68

Model	-ROMM_CONVECT_DEP_800I_1		
Creator	SUTTHI.P	.BCP Name	INDEX_C3D_KITCHENPAE
Reviewer		Order	O002759
Approves	P. SAWA	Date	13/08/2025

