

Model	REFERENCE_DBS60L		
Creator	PASATHORN	.BCP Name	INDEX_C3D_KITCHEN2
Reviewer		Order	I002407
Approves	P. SAWAI	Date	28/06/2023

REFERENCE_DBS60L-600X570X888

Colour

02.43=FOIL AP7 AQ-152-12KBWG (AQ PAPER)
03.13=PVC WHITE#630 T0.15MM.

Edge

01.255=1 RHODES AP7

K100L-160131166

K127L-160134193

K108L-160123120

K122L-160123183

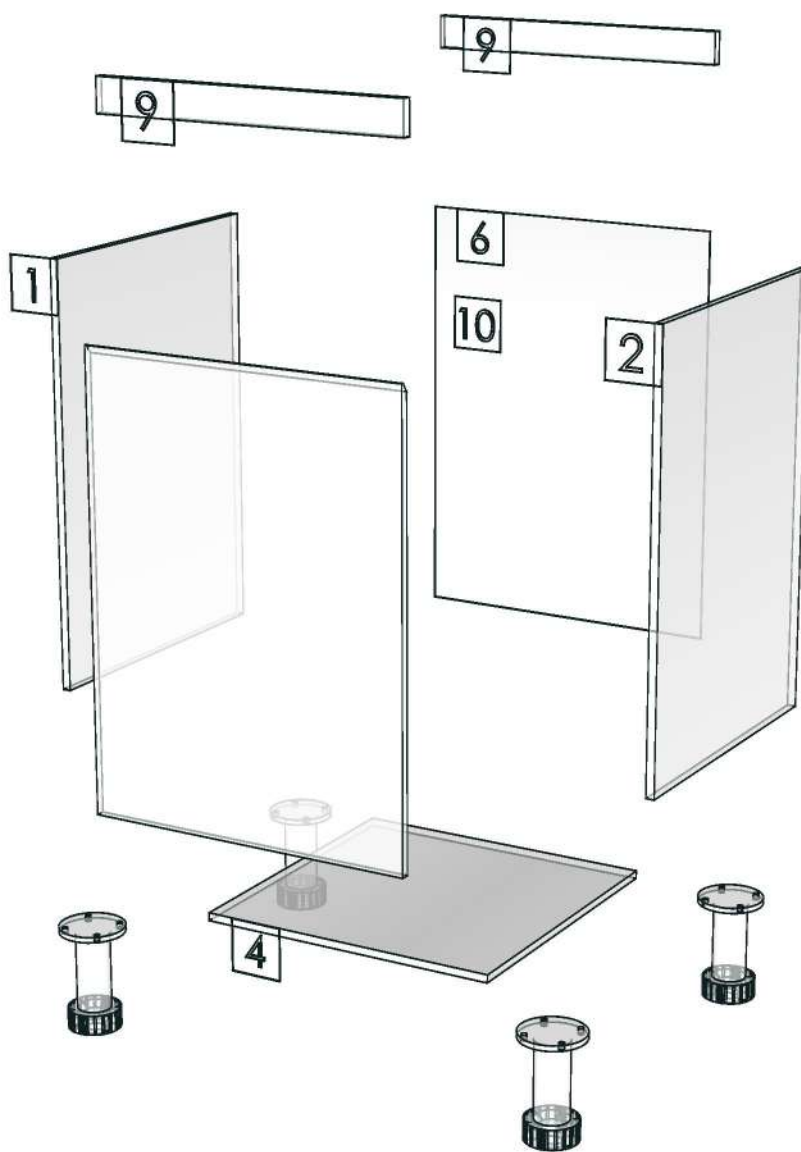
K123L-160123193

R&D REVIEW	
<input checked="" type="checkbox"/>	DWG.Customer
<input checked="" type="checkbox"/>	Work Report
<input type="checkbox"/>	Function
<input type="checkbox"/>	สินค้าตรงตัวอย่าง
ผู้ทบทวน <u>P. SAWAI</u>	
<u>28/06/2023</u>	



ปิดขอบด้วยกาว PUR

Model	-REFERENCE_DBS60L		
Creator		.BCP Name	INDEX_C3D_KITCHEN2
Reviewer		Order	I002407
Approves		Date	



Model	REFERENCE_DBH602		
Creator	PASATHORN	.BCP Name	INDEX_C3D_KITCHEN2
Reviewer		Order	I002425
Approves	P-SAWAI	Date	30/06/2023

REFERENCE_DBH602-600X570X888

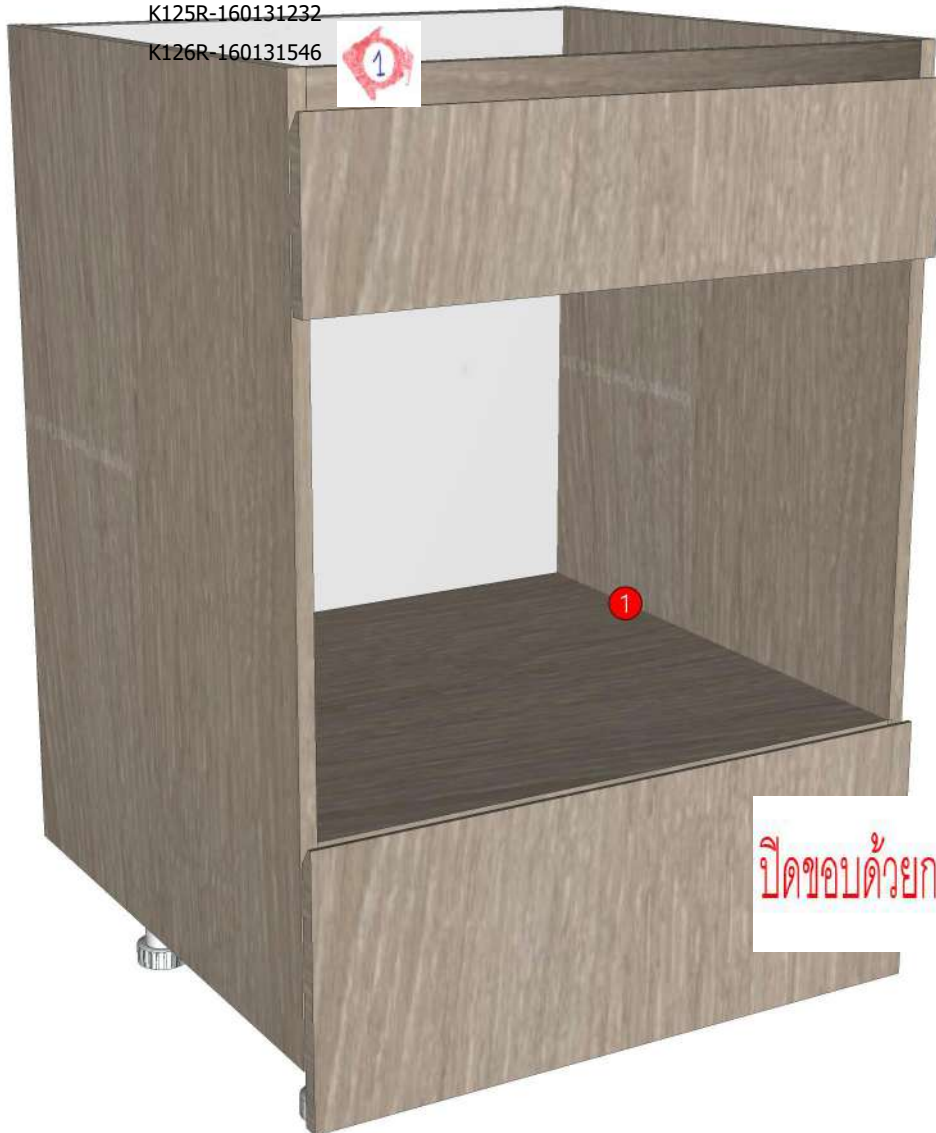
Colour

02.43=FOIL AP7 AQ-152-12KBWG (AQ PAPER)
20.56=ML.GREY MK3238 (MATT)
20.07=ML AE9V (MATT)
03.13=PVC WHITE#630 T0.15MM.

K100L-160131166	K112L-160123160
K101L-160131176	
K102L-160131186	K117L-160123170
K102R-160123111	K118R-160131219
K103R-160131196	K122L-160123183
K105R-160131209	K123L-160123193
K108L-160123120	K123R-160123203
K108R-160123129	K125R-160131232
K109R-160123138	K126R-160131546
K110R-160123152	

Edge

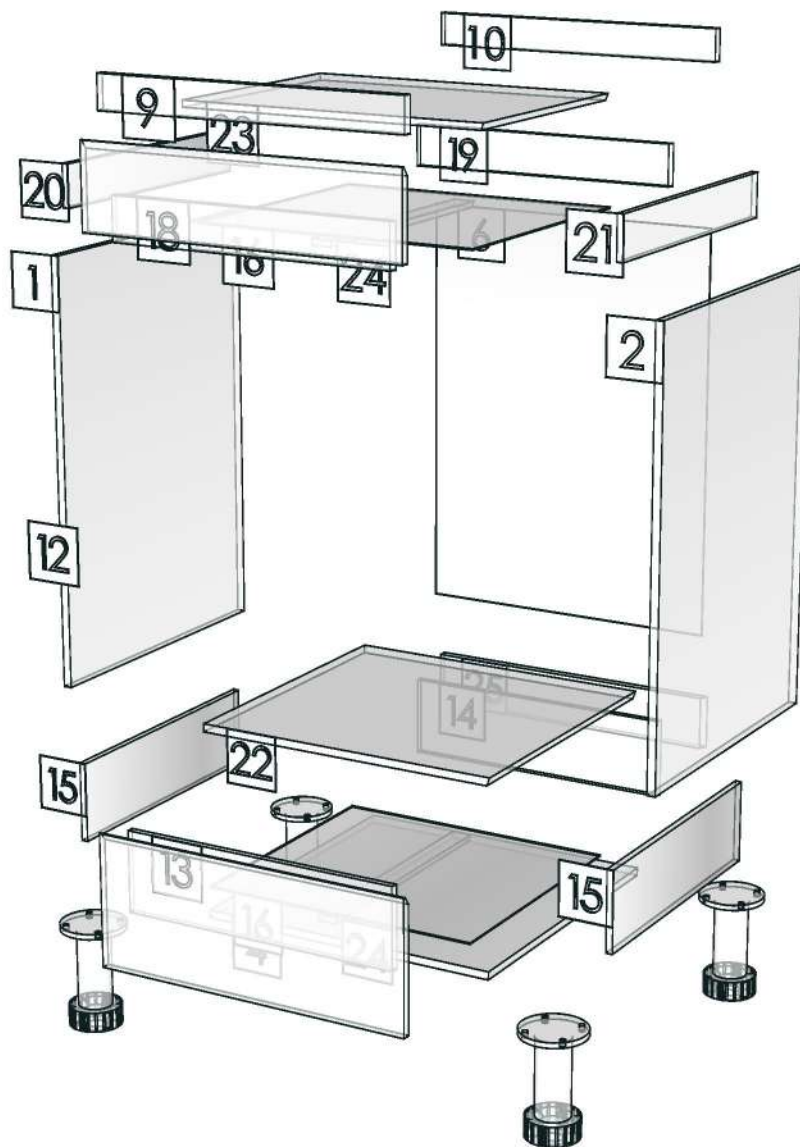
01.255=1 RHODES AP7
01.47=1 WHITE



ปิดขอบด้วยกาว PUR

Model	-REFERENCE_DBH602		
Creator		.BCP Name	INDEX_C3D_KITCHEN2
Reviewer		Order	I002425
Approves		Date	

17



Model	REFERENCE_DL60LSR		
Creator	PASATHORN	.BCP Name	INDEX_C3D_KITCHEN2
Reviewer		Order	I002418
Approves		Date	29/06/2023

REFERENCE_DL60LSR-600X350X800

Colour

02.43=FOIL AP7 AQ-152-12KBWG (AQ PAPER)

03.13=PVC WHITE#630 T0.15MM.

20.24=ML AE9V (PEARL)

Edge

01.255=1 RHODES AP7

01.47=1 WHITE

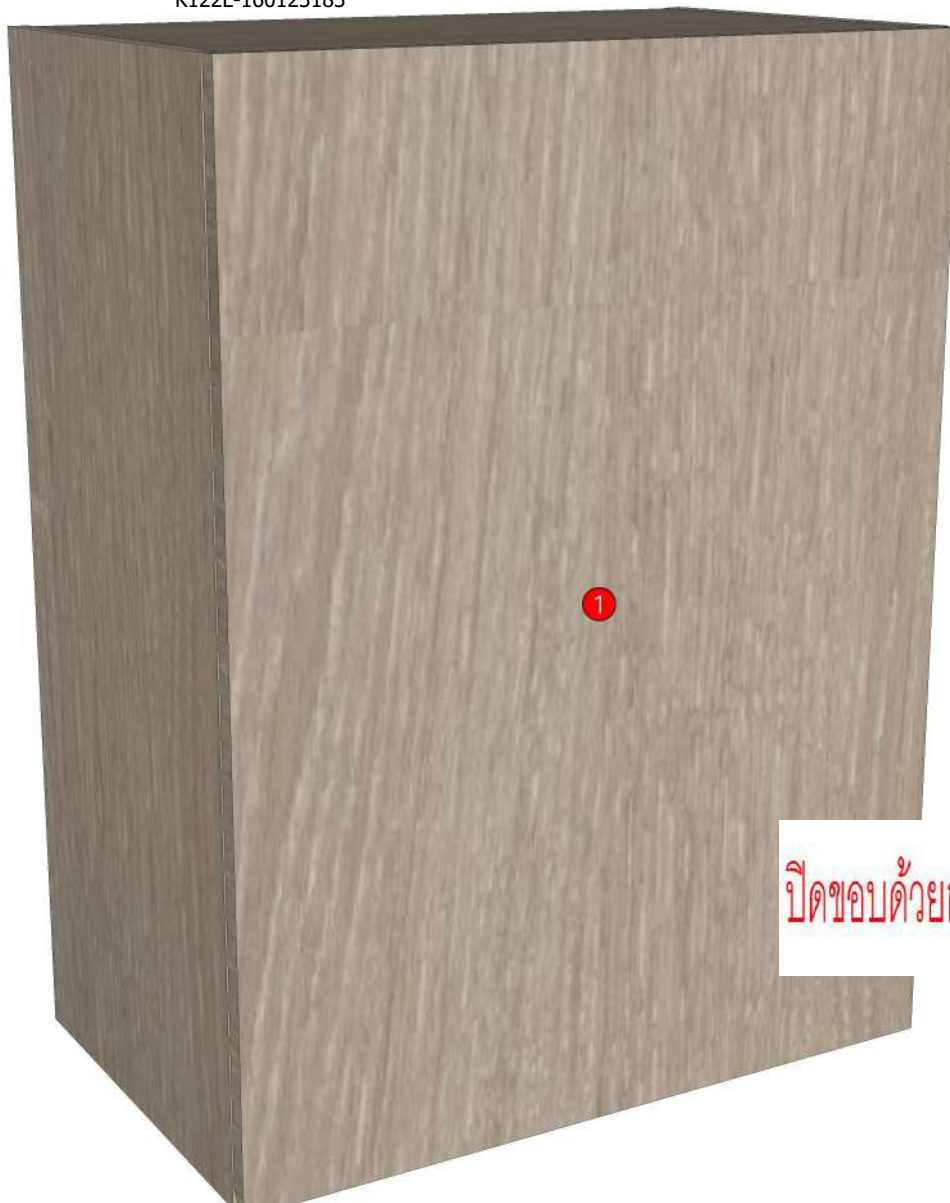
K100L-160131166

K112L-160123160

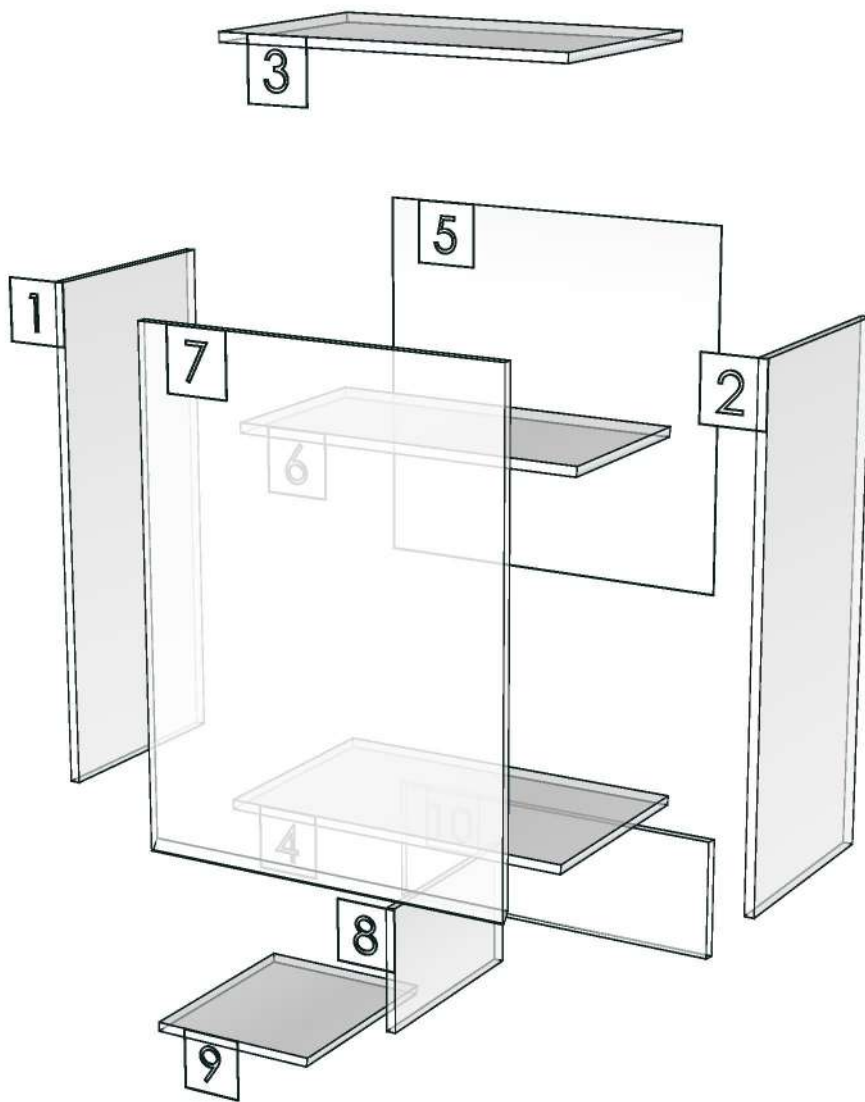
K127L-160134193

K108L-160123120

K122L-160123183



Model	-REFERENCE_DL60LSR		
Creator		.BCP Name	INDEX_C3D_KITCHEN2
Reviewer		Order	I002418
Approves		Date	



Model	REFERENCE_DL60HRS		
Creator	PASATHORN	.BCP Name	INDEX_C3D_KITCHEN2
Reviewer		Order	I002415
Approves	P.SAWAI	Date	29/06/2023

REFERENCE_DL60HRS-600X350X755

Colour

02.43=FOIL AP7 AQ-152-12KBWG (AQ PAPER)
03.13=PVC WHITE#630 T0.15MM.
20.24=ML AE9V (PEARL)

Edge

01.255=1 RHODES AP7
01.47=1 WHITE

K100L-160131166
K101L-160131176
K102L-160131186

K112L-160123160

K127L-160134193

K108L-160123120

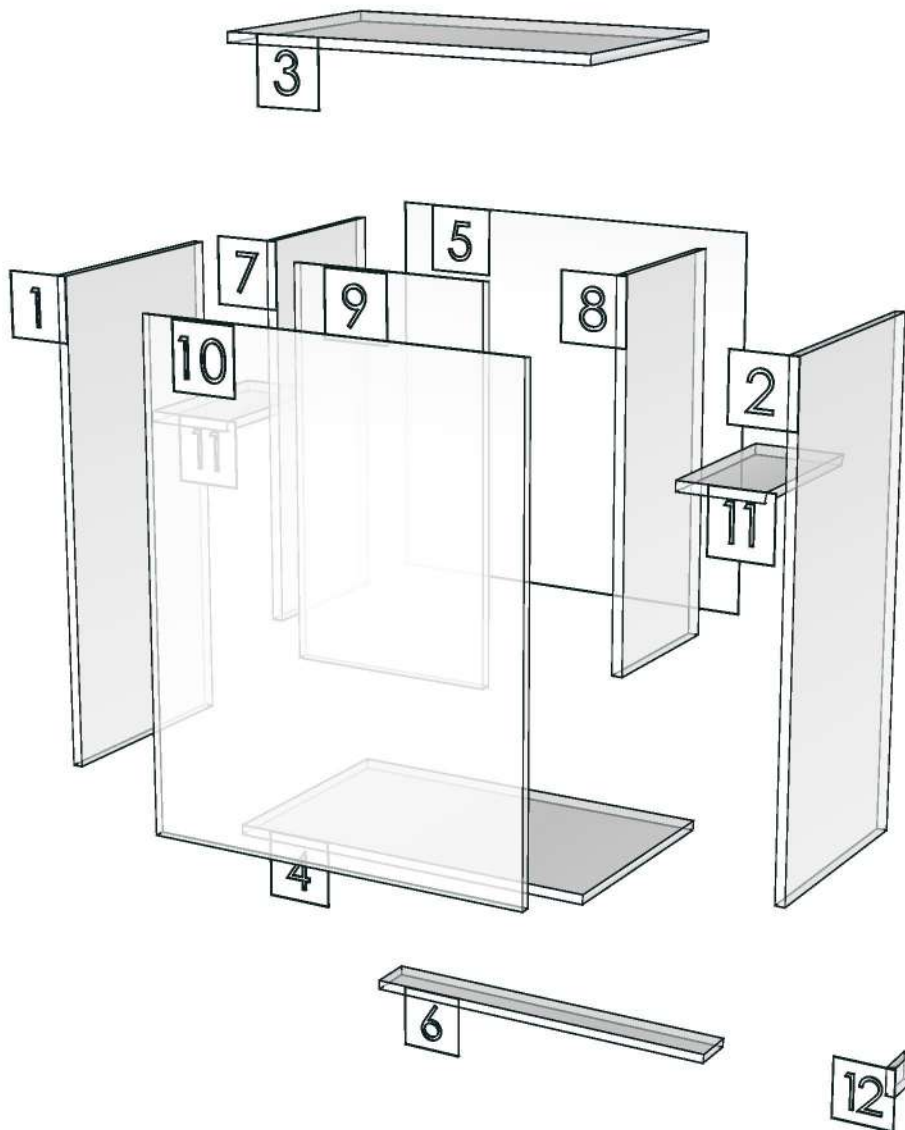
K122L-160123183

K123L-160123193

R&D REVIEW	
<input checked="" type="checkbox"/>	DWG.Customer
<input checked="" type="checkbox"/>	Work Report
<input type="checkbox"/>	Function
<input type="checkbox"/>	สินค้าตรงตัวอย่าง
ผู้ทบทวน P.SAWAI	
29/06/2023	



Model	-REFERENCE_DL60HRS		
Creator		.BCP Name	INDEX_C3D_KITCHEN2
Reviewer		Order	I002415
Approves		Date	



Model	REFERENCE_DW70		
Creator	PASATHORN	.BCP Name	INDEX_C3D_KITCHEN2
Reviewer		Order	I002382
Approves	P.SAWAI	Date	22/06/2023

REFERENCE_DW70-700X350X500

Colour

02.43=FOIL AP7 AQ-152-12KBWG (AQ PAPER)

03.13=PVC WHITE#630 T0.15MM.

20.24=ML AE9V (PEARL)

K100L-160131166

K102L-160131186

K102R-160123111

K108L-160123120

K108R-160123129

K109R-160123138

Edge

01.255=1 RHODES AP7

01.47=1 WHITE

K126R-160131546

K127L-160134193

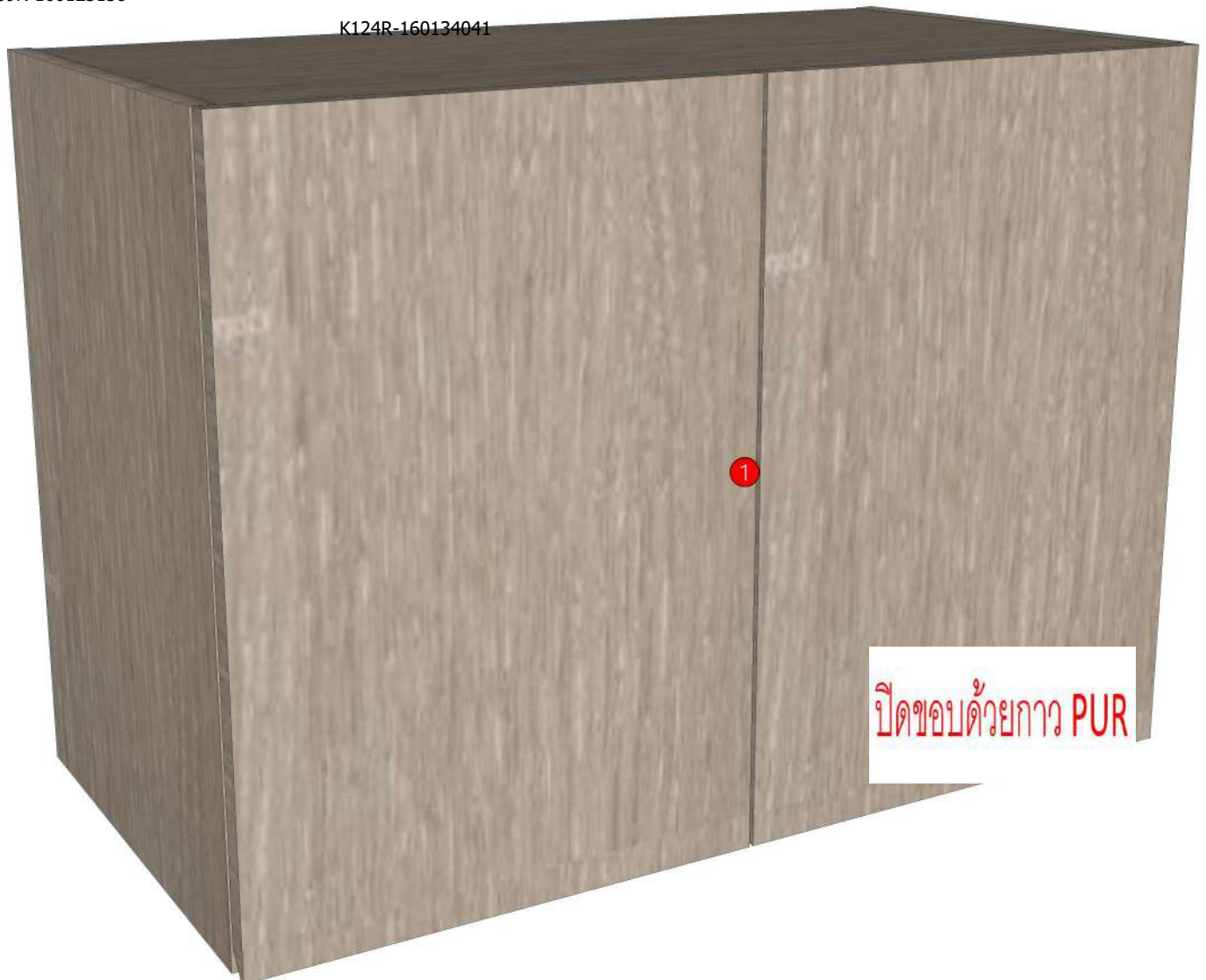
K113-160134022

K114L-160129206

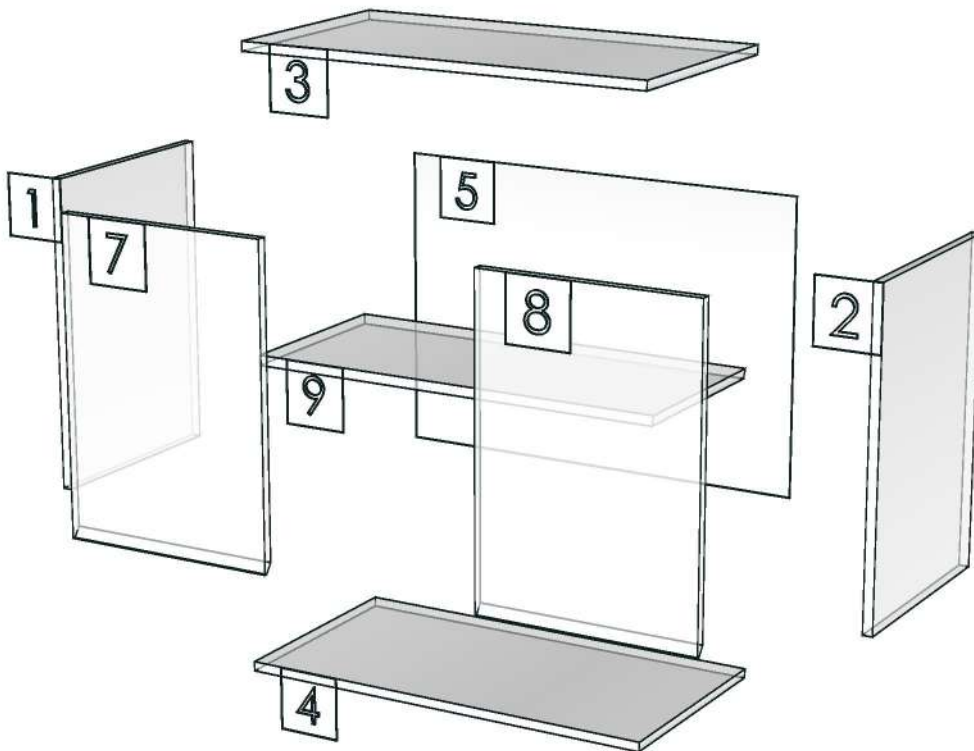
K117L-160123170

K124R-160134041

R&D REVIEW	
<input checked="" type="checkbox"/>	DWG.Customer
<input checked="" type="checkbox"/>	Work Report
<input type="checkbox"/>	Function
<input type="checkbox"/>	สินค้าตรงตัวอย่าง
ผู้ทบทวน P.SAWAI	
22/06/2023	



Model	-REFERENCE_DW70		
Creator		.BCP Name	INDEX_C3D_KITCHEN2
Reviewer		Order	I002382
Approves		Date	



Model	REFERENCE_DT69		
Creator	PASATHORN	.BCP Name	INDEX_C3D_KITCHEN2
Reviewer		Order	I002815
Approves	P.SAWAI	Date	13/12/2023

REFERENCE_DT69-690X350X2300

Colour

02.43=FOIL AP7 AQ-152-12KBWG (AQ PAPER)

03.13=PVC WHITE#630 T0.15MM.

20.24=ML AE9V (PEARL)

02.56=PAPER FOIL 60GMS.WHITE PEARL #VC-70146-MB-60G

Edge

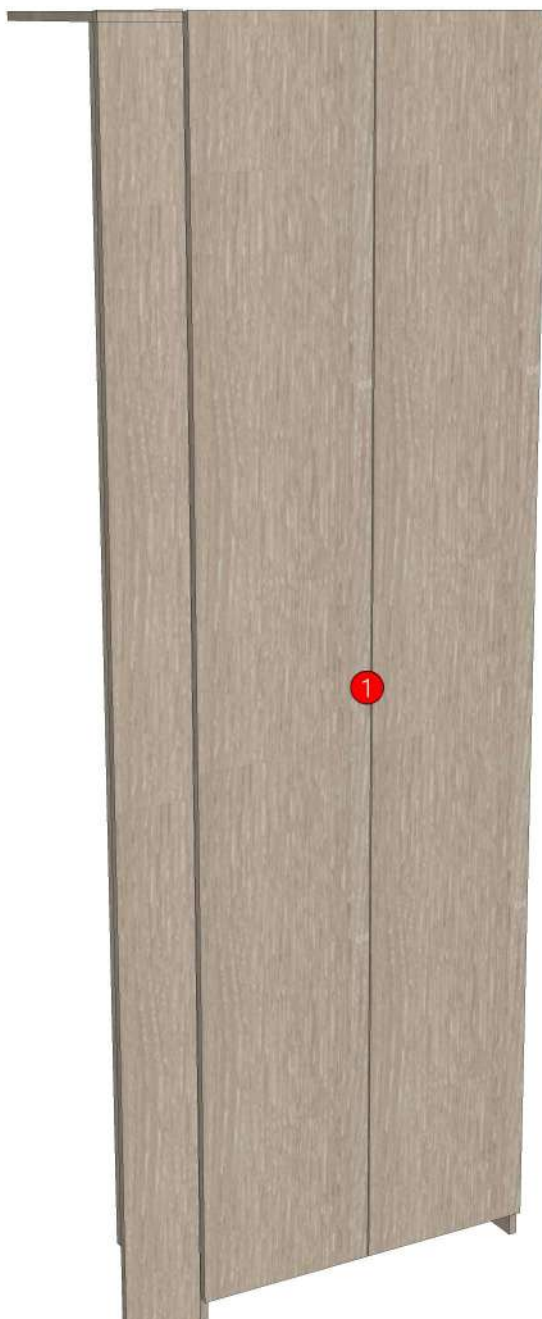
01.255=1 RHODES AP7

01.47=1 WHITE



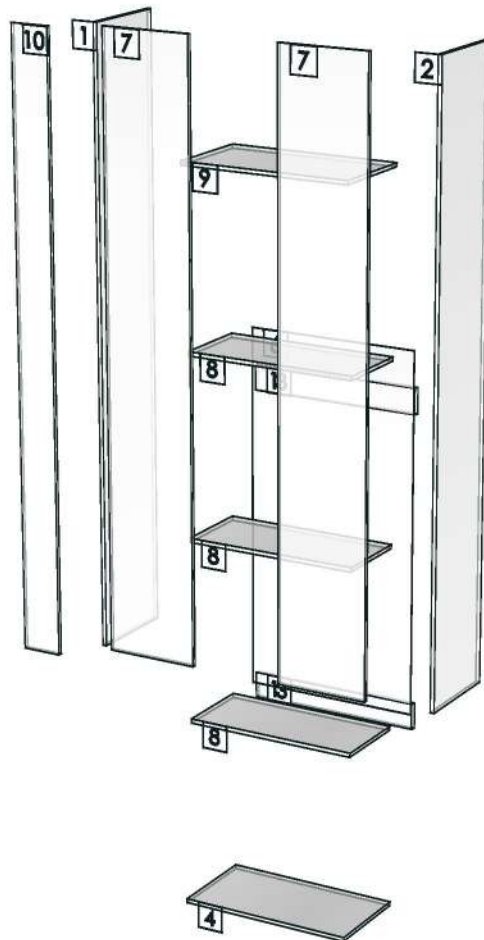
K127L-160134193

R&D REVIEW	
<input checked="" type="checkbox"/>	DWG.Customer
<input checked="" type="checkbox"/>	Work Report
<input type="checkbox"/>	Function
<input type="checkbox"/>	สินค้าตรงตัวอย่าง
ผู้ทบทวน P.SAWAI	
13/12/2023	



ปิดขอบด้วยกาว PUR

Model	-REFERENCE_DT69		
Creator		.BCP Name	INDEX_C3D_KITCHEN2
Reviewer		Order	I002815
Approves		Date	



Model	REFERENCE_DDM1200		
Creator	PASATHORN	.BCP Name	INDEX_C3D_KITCHEN2
Reviewer		Order	I002550
Approves	P.SAWAI	Date	06/09/2023

REFERENCE_DDM1200-1200X6X550

Colour

03.13=PVC WHITE#630 T0.15MM.

Edge

=

K100L-160131166

K127L-160134193

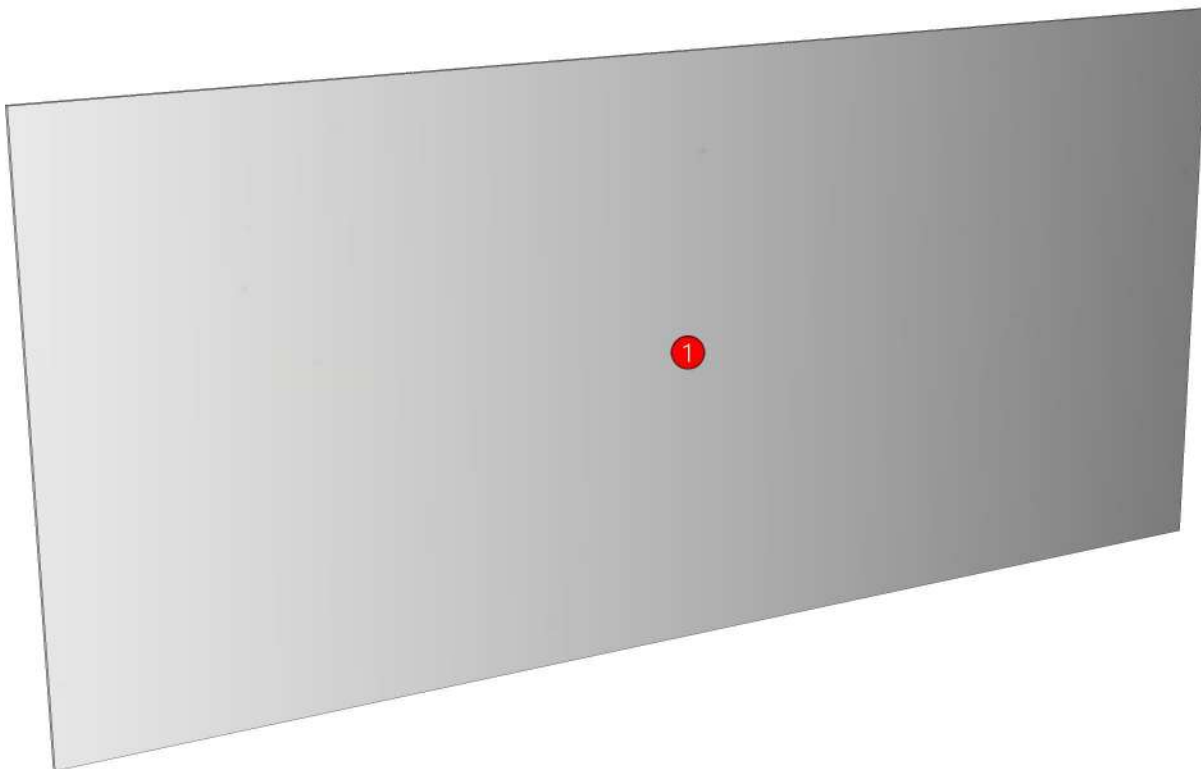


R&D REVIEW	
<input checked="" type="checkbox"/>	DWG.Customer
<input checked="" type="checkbox"/>	Work Report
<input type="checkbox"/>	Function
<input type="checkbox"/>	สินค้าตรงตัวอย่าง
ผู้ทบทวน P.SAWAI	
22/9/23	

K105R-160131209

K108L-160123120

K108R-160123129



Model	REFERENCE_DF_CL1900		
Creator	PASATHORN	.BCP Name	INDEX_C3D_KITCHEN2
Reviewer		Order	I002373
Approves	P.SAWAI	Date	20/06/2023

REFERENCE_DF_CL1900-1900X12X150

Colour

02.43=FOIL AP7 AQ-152-12KBWG (AQ PAPER)

Edge

01.255=1 RHODES AP7

K100L-160131166

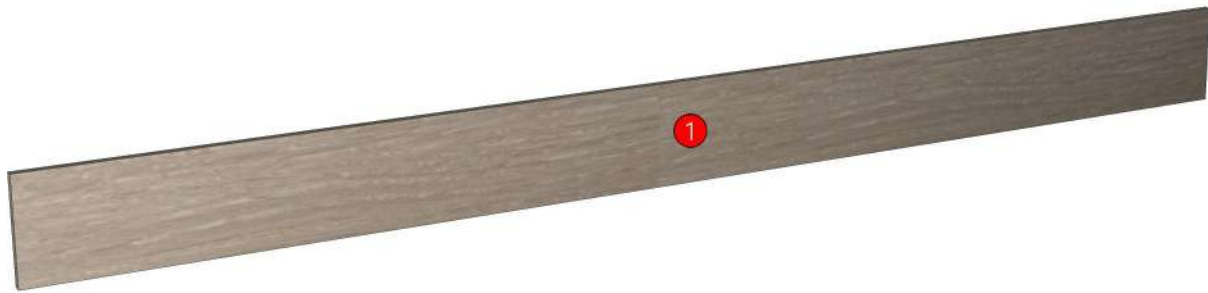
K127L-160134193

K108L-160123120

K122L-160123183

K108R-160123129

R&D REVIEW	
<input checked="" type="checkbox"/>	DWG.Customer
<input checked="" type="checkbox"/>	Work Report
<input type="checkbox"/>	Function
<input type="checkbox"/>	สินค้าตรงตัวอย่าง
ผู้ทบทวน <u>P.SAWAI</u>	
<u>20/06/2023</u>	



ปิดขอบด้วยกาว PUR

Model	REFERENCE_DF_CL800		
Creator	PASATHORN	.BCP Name	INDEX_C3D_KITCHEN2
Reviewer		Order	I002369
Approves	P.SAWAI	Date	20/06/2023

REFERENCE_DF_CL800-800X12X150

Colour

02.43=FOIL AP7 AQ-152-12KBWG (AQ PAPER)

Edge

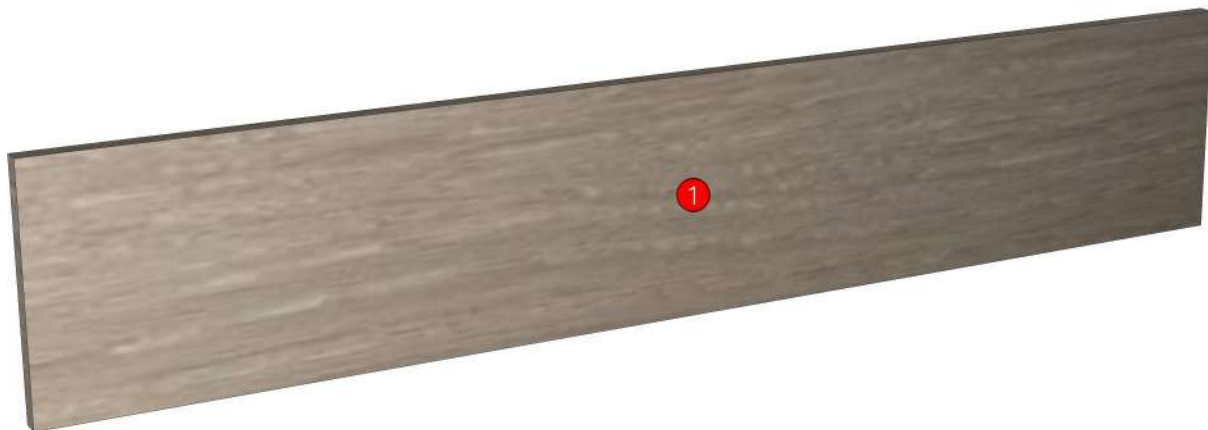
01.255=1 RHODES AP7

K126R-160131546

K127L-160134193

K109R-160123138

R&D REVIEW	
<input checked="" type="checkbox"/>	DWG.Customer
<input checked="" type="checkbox"/>	Work Report
<input type="checkbox"/>	Function
<input type="checkbox"/>	สินค้าตรงตัวอย่าง
	ผู้ทบทวน P.SAWAI
	20/06/2023



ปิดขอบด้วยกาว PUR

Model	REFERENCE_DF_CL350		
Creator	PASATHORN	.BCP Name	INDEX_C3D_KITCHEN2
Reviewer		Order	I002367
Approves	P.SAWAI	Date	20/06/2023

REFERENCE_DF_CL350-350X12X150

Colour

02.43=FOIL AP7 AQ-152-12KBWG (AQ PAPER)

Edge

01.255=1 RHODES AP7

K100L-160131166
K101L-160131176
K102L-160131186
K102R-160123111
K103R-160131196
K105R-160131209
K108L-160123120
K108R-160123129
K109R-160123138
K110R-160123152

K112L-160123160
K113-160134022
K114L-160129206
K117L-160123170
K118R-160131219
K119R-160134173
K122L-160123183
K123L-160123193
K123R-160123203
K124R-160134041

K126R-160131546
K127L-160134193

R&D REVIEW	
<input checked="" type="checkbox"/>	DWG.Customer
<input checked="" type="checkbox"/>	Work Report
<input type="checkbox"/>	Function
<input type="checkbox"/>	สินค้าตรงตัวอย่าง
ผู้ทบทวน P.SAWAI	
20/6/23	



ปิดขอบด้วยกาว PUR

Model	REFERENCE_D_PLT200		
Creator	PASATHORN	.BCP Name	INDEX_C3D_KITCHEN2
Reviewer		Order	I002726
Approves	P.SAWAI	Date	07/11/2023

REFERENCE_D_PLT200-200X12X100

Colour

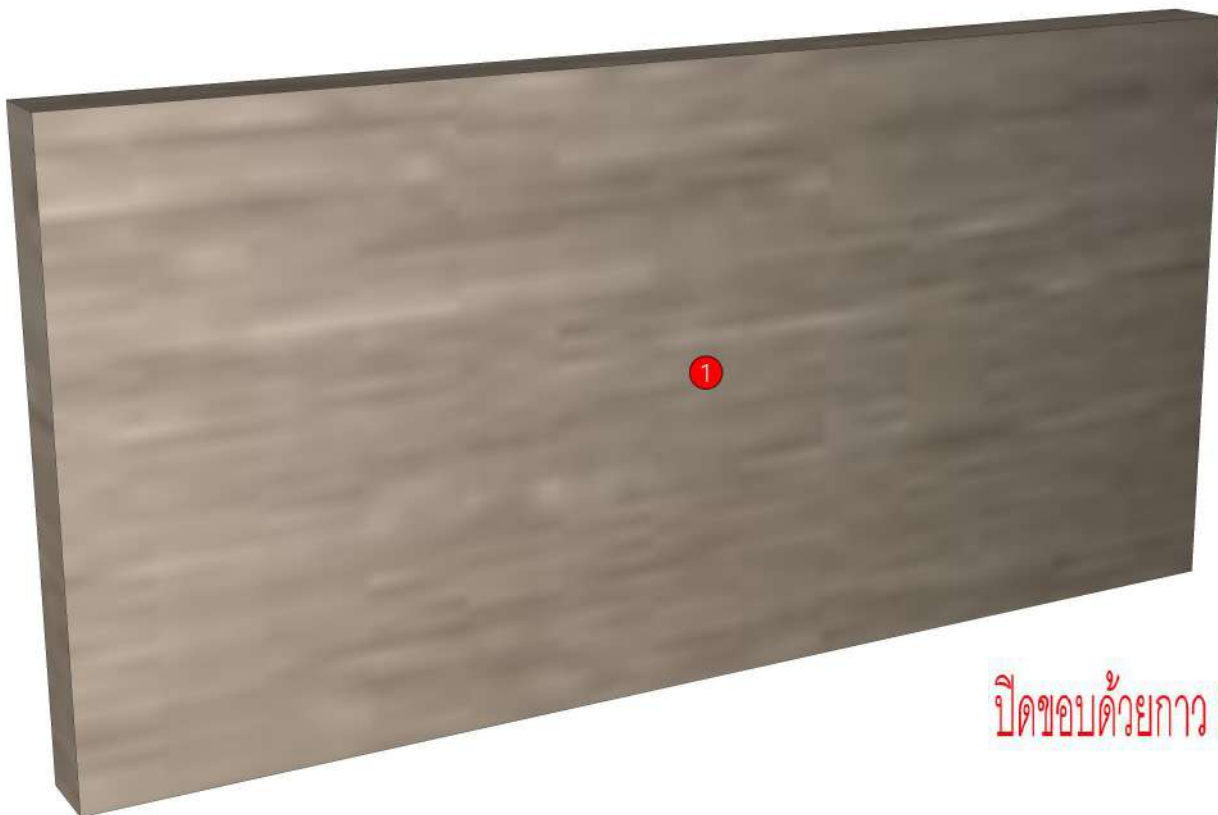
02.43=FOIL AP7 AQ-152-12KBWG (AQ PAPER)

Edge

01.255=1 RHODES AP7

K113-160134022

R&D REVIEW	
<input checked="" type="checkbox"/>	DWG.Customer
<input checked="" type="checkbox"/>	Work Report
<input type="checkbox"/>	Function
<input type="checkbox"/>	สินค้าตรงตัวอย่าง
ผู้ทบทวน P.SAWAI	



ปิดขอบด้วยกาว PUR

Model	REFERENCE_D_PLT660		
Creator	PASATHORN	.BCP Name	INDEX_C3D_KITCHEN2
Reviewer		Order	I002731
Approves	P.SAWAI	Date	07/11/2023

REFERENCE_D_PLT660-660X12X100

Colour

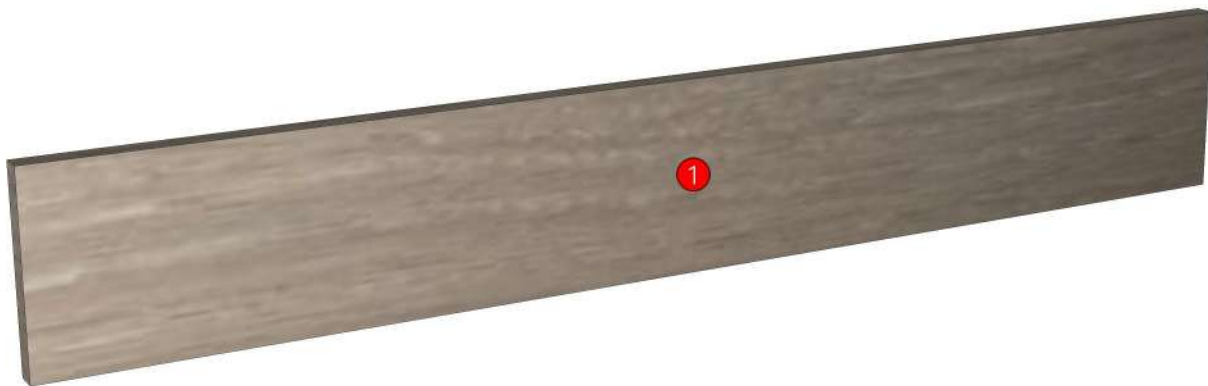
02.43=FOIL AP7 AQ-152-12KBWG (AQ PAPER)

Edge

01.255=1 RHODES AP7

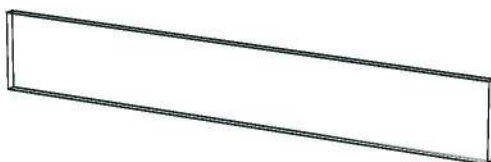
K127L-160134193

R&D REVIEW	
<input checked="" type="checkbox"/>	DWG.Customer
<input checked="" type="checkbox"/>	Work Report
<input type="checkbox"/>	Function
<input type="checkbox"/>	สินค้าตรงตัวอย่าง
ผู้ทบทวน <u>P.SAWAI</u>	
<u>07/11/2023</u>	



ปิดขอบด้วยกาว PUR

Model	-REFERENCE_D_PLT660		
Creator		.BCP Name	INDEX_C3D_KITCHEN2
Reviewer		Order	I002731
Approves		Date	



Model	REFERENCE_D_PLT600		
Creator	PASATHORN	.BCP Name	INDEX_C3D_KITCHEN2
Reviewer		Order	I002357
Approves	P.SAWAI	Date	16/06/2023

REFERENCE_D_PLT600-600X12X100

Colour

02.43=FOIL AP7 AQ-152-12KBWG (AQ PAPER)

Edge

01.255=1 RHODES AP7

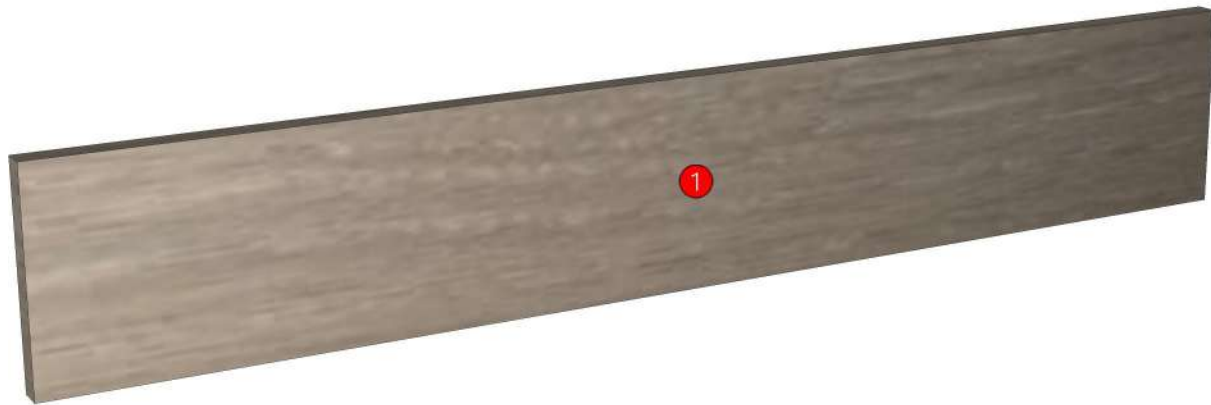
- | | | |
|-----------------|-----------------|-----------------|
| K100L-160131166 | K112L-160123160 | K126R-160131546 |
| K101L-160131176 | K113-160134022 | K127L-160134193 |
| K102L-160131186 | K114L-160129206 | |
| K102R-160123111 | K117L-160123170 | |
| K103R-160131196 | K118R-160131219 | |
| K105R-160131209 | K119R-160134173 | |
| K108L-160123120 | K122L-160123183 | |
| K108R-160123129 | K123L-160123193 | |
| K109R-160123138 | K123R-160123203 | |
| K110R-160123152 | K124R-160134041 | |

R&D REVIEW

- DWG.Customer
- Work Report
- Function
- สินค้าตรงตัวอย่าง

ผู้ทบทวน P.SAWAI

16/06/2023



ปิดขอบด้วยกาว PUR

Model	-REFERENCE_D_PLT600		
Creator		.BCP Name	INDEX_C3D_KITCHEN2
Reviewer		Order	I002357
Approves		Date	

